

# AD-200 Tilting Installation / Operator's Manual

**WARNING:** For your safety the information in this manual must be followed to minimize the risk of fire or explosion or to prevent property damage, personal injury or loss of life.

Do not store or use gasoline or other flammable vapors and liquids in the vicinity of this or any other appliance.

## WHAT DO YOU DO IF YOU SMELL GAS

- \* Do not try to light any appliance.
- \* Do not touch any electrical switch; do not use any phone in your building.
- \* Clear the room, building or area of all occupants.
- \* Immediately call your gas supplier from a neighbor's phone. Follow the gas supplier's instructions.
- \* If you cannot reach your gas supplier, call the fire department.

Installation and service must be performed by a qualified installer, service agency or the gas supplier.



For replacement parts, contact the distributor from which the dryer was purchased or

**American Dryer Corporation**

88 Currant Road

Fall River MA 02720-4781

Telephone: (508) 678-9010 / Fax: (508) 678-9447

e-mail address: [service@amdry.com](mailto:service@amdry.com)

## Retain This Manual In A Safe Place For Future Reference

American Dryer Corporation products embody advanced concepts in engineering, design, and safety. If this product is properly maintained, it will provide many years of safe, efficient, and trouble-free operation.

*ONLY properly licensed technicians should service this equipment.*

Observe all safety precautions displayed on the equipment or specified in the installation/operator's manual included with the dryer.

**UNDER NO CIRCUMSTANCES should the door switch or the heat circuit devices ever be disabled.**

We have tried to make this manual as complete as possible and hope you will find it useful. ADC reserves the right to make changes from time to time, without notice or obligation, in prices, specifications, colors, and material, and to change or discontinue models.

### Important

For your convenience, log the following information:

DATE OF PURCHASE \_\_\_\_\_ MODEL NO. AD-200 Tilting

DISTRIBUTOR'S NAME \_\_\_\_\_

Serial Number(s) \_\_\_\_\_

\_\_\_\_\_  
\_\_\_\_\_

Replacement parts can be obtained from your distributor or the ADC factory. When ordering replacement parts from the factory, you can FAX your order to ADC at (508) 678-9447 or telephone your orders directly to the ADC Parts Department at (508) 678-9010. Please specify the dryer model number and serial number in addition to the description and part number, so that your order is processed accurately and promptly.

The illustrations on the following pages may not depict your particular dryer exactly. The illustrations are a composite of the various dryer models. Be sure to check the descriptions of the parts thoroughly before ordering.

INSTRUCTIONS TO BE FOLLOWED IN THE EVENT THE USER  
SMELLS GAS MUST BE POSTED IN A PROMINENT LOCATION. THE  
INSTRUCTIONS TO BE POSTED SHALL BE OBTAINED FROM THE  
LOCAL GAS SUPPLIER.

## **IMPORTANT**

**YOU MUST DISCONNECT and LOCKOUT THE ELECTRIC SUPPLY and THE GAS SUPPLY or THE STEAM SUPPLY BEFORE ANY COVERS or GUARDS ARE REMOVED FROM THE MACHINE TO ALLOW ACCESS FOR CLEANING, ADJUSTING, INSTALLATION, or TESTING OF ANY EQUIPMENT per OSHA (Occupational Safety and Health Administration) STANDARDS.**

## **CAUTION**

**LABEL ALL WIRES PRIOR TO DISCONNECTION WHEN SERVICING THE COMPUTER BOARD and THE IGNITION MODULE. WIRING ERRORS CAN CAUSE IMPROPER AND DANGEROUS OPERATION. WIRING.**

## **CAUTION**

**DRYER(S) SHOULD NEVER BE LEFT UNATTENDED WHILE IN OPERATION.**

## **WARNING**

**The dryer must not be operated with any of the front and/or rear control doors, side access doors, or service panels removed. PERSONAL INJURY COULD RESULT.**

## **FOR YOUR SAFETY**

**DO NOT STORE OR USE GASOLINE OR OTHER FLAMMABLE VAPOR AND LIQUIDS IN THE VICINITY OF THIS OR ANY OTHER APPLIANCE.**

**DO NOT DRY MOP HEADS IN THE DRYER.**

**DO NOT USE DRYER IN THE PRESENCE OF DRY CLEANING FUMES.**

## **IMPORTANT**

**PLEASE OBSERVE ALL SAFETY PRECAUTIONS displayed on the equipment and/or specified in the installation/operator's manual included with the dryer.**

**Dryer(s) must not be installed or stored in an area where it will be exposed to water and/or weather.**

# Table of Contents

## SECTION I

IMPORTANT INFORMATION .....	3
A. Receiving and Handling .....	3
B. Safety Precautions .....	4

## SECTION II

SPECIFICATIONS and TILTING DIMENSIONS .....	6
A. Specifications (Gas and Steam Models) .....	6
ADG-200 Tilting <i>1-Door/1-Way Tilt</i> GAS MODEL .....	7
ADS-200 Tilting <i>1-Door/1-Way Tilt</i> STEAM MODEL .....	7
ADG-200 Tilting <i>2-Door/1-Way Tilt</i> GAS MODEL .....	8
ADS-200 Tilting <i>2-Door/1-Way Tilt</i> STEAM MODEL .....	8
ADG-200 Tilting <i>1-Door/2-Way Tilt</i> GAS MODEL .....	9
ADS-200 Tilting <i>1-Door/2-Way Tilt</i> STEAM MODEL .....	9

## SECTION III

INSTALLATION PROCEDURES .....	10
A. Reassembly Of Dryer .....	10
1. Reassembly Instructions For <i>GAS DRYER</i> Shipped In <i>Two Pieces</i> ADG-200 <i>1-Door/2-Way Tilt</i> .....	11
2. Reassembly Instructions For <i>GAS DRYER</i> Shipped In <i>Two Pieces</i> ADG-200 <i>1-Door/Forward Tilt</i> .....	14
3. Reassembly Instructions For <i>GAS DRYER</i> Shipped In <i>Two Pieces</i> ADG-200 <i>2-Door/Rear Tilt (Pass Thru)</i> .....	17
4. Reassembly Instructions For <i>STEAM DRYER</i> Shipped In <i>Two Pieces</i> ADS-200 <i>1-Door/2-Way Tilt</i> .....	20
5. Reassembly Instructions For <i>STEAM DRYER</i> Shipped In <i>Two Pieces</i> ADS-200 <i>1-Door/Forward Tilt</i> .....	23
6. Reassembly Instructions For <i>STEAM DRYER</i> Shipped In <i>Two Pieces</i> ADS-200 <i>2-Door/Rear Tilt (Pass Thru)</i> .....	26
B. Location Requirements .....	29
C. Fresh Air Supply Requirements .....	30
D. Exhaust Requirements .....	31
E. Compressed Air Supply System .....	37
F. Electrical Information .....	40
G. Gas Information .....	44
H. Steam Information .....	47
I. Steam Damper Actuator System .....	50
J. Water Supply Connection for Optional Sprinkler System .....	50
K. Preparation For Operation/Start-Up .....	51
L. Shut Down Instructions .....	52

**SECTION IV**

**SERVICE/PARTS INFORMATION..... 53**  
A. Service ..... 53  
B. Parts ..... 53

**SECTION V**

**WARRANTY INFORMATION ..... 54**  
A. Returning Warranty Card(s) ..... 54  
B. Parts ..... 54  
C. Returning Warranty Parts ..... 54

**SECTION VI**

**ROUTINE MAINTENANCE ..... 56**  
A. Cleaning..... 56  
B. Adjustments ..... 58

**SECTION VII**

**COMPONENT SYSTEM DESCRIPTIONS ..... 59**  
A. Tumbler Drive System ..... 59  
B. Tumbler ..... 60  
C. Air Blower Drive System ..... 60  
D. Safety Devices ..... 60

**SECTION VIII**

**TROUBLESHOOTING ..... 62**

**SECTION IX**

**PROCEDURE FOR FUNCTIONAL CHECK OF REPLACEMENT COMPONENTS ..... 70**

# SECTION I

## IMPORTANT INFORMATION

### A. RECEIVING and HANDLING

The dryer is shipped in a protective stretch wrap cover with protective cardboard corners as a means of preventing damage in transit. Upon delivery, the dryer and/or packaging, and wooden skid **should be** visually inspected for shipping damage. If any damage whatsoever is noticed, inspect further before delivering carrier leaves.

Dryers damaged in shipment.

1. **ALL** dryers **should be** inspected upon receipt and before they are signed for.
2. If there is suspected damage or actual damage, the trucker's receipt **should be** so noted.
3. If the dryer is damaged beyond repair, it **should be** refused. Those dryers which were not damaged in a damaged shipment **should be** accepted, but the number received and the number refused **must be** noted on the receipt.
4. If you determine that the dryer was damaged after the trucker has left your location, you should call the delivering carrier's freight terminal immediately and file a claim. The freight company considers this concealed damage. This type of freight claim is very difficult to get paid and becomes extremely difficult when more than a day or two passes after the freight was delivered. It is your responsibility to file freight claims. Dryer/parts damaged in transit **cannot** be claimed under warranty.
5. Freight claims are the responsibility of the consignee, and **ALL** claims **must be** filed at the receiving end. ADC assumes no responsibility for freight claims or damages.
6. If you need assistance in handling the situation, please contact the ADC Traffic Manager at (508) 678-9000.

**IMPORTANT:** The tumbler section of the dryer **must be** transported and handled in an upright position at all times.

## B. SAFETY PRECAUTIONS

**WARNING:** For your safety, the information in this manual **must be followed** to minimize the risk of fire or explosion or to prevent property damage, personal injury, or loss of life.

**WARNING:** The dryer **must never be operated with any of the base panels, tilt guards, or side access doors removed. PERSONAL INJURY or FIRE COULD RESULT.**

1. **DO NOT** store or use gasoline or other flammable vapors and liquids in the vicinity of this or any other appliance.
2. Purchaser/user should consult the local gas supplier for proper instructions to be followed in the event the user smells gas. The instructions **should be** posted in a prominent location.
3. WHAT TO DO IF YOU SMELL GAS...
  - a. **DO NOT** try to light any appliance.
  - b. **DO NOT** touch any electrical switch.
  - c. **DO NOT** use any phone in your building.
  - d. Clear the room, building, or area of **ALL** occupants.
  - e. Immediately call your gas supplier from a neighbor's phone. Follow gas supplier's instructions.
  - f. If you cannot reach your gas supplier, call the fire department.
4. Installation and service *must be* preformed by a qualified installer, service agency, or gas supplier.
5. Dryer(s) **must be** exhausted to the outdoors.
6. Although ADC produces a very versatile machine, there are some articles that, due to fabric composition or cleaning method, **should not** be dried in it.

**WARNING:** Dry only water-washed fabrics. **DO NOT** dry articles spotted or washed in dry cleaning solvents, a combustible detergent, or "all purpose" cleaner. **EXPLOSION COULD RESULT.**

**WARNING:** **DO NOT** dry rags or articles coated or contaminated with gasoline, kerosene, oil, paint, wax. **EXPLOSION COULD RESULT.**

**WARNING:** **DO NOT** dry mop heads. Contamination by wax or flammable solvents will create a fire hazard.



**WARNING: DO NOT** use heat for drying articles that contain plastic, foam, sponge rubber, or similarly textured rubber materials. Drying in a heated basket (tumbler) may damage plastics or rubber and also may be a fire hazard.

7. A program **should** be established for the inspection and cleaning of lint in the burner area, exhaust duct work, and inside the dryer. The frequency of inspection and cleaning can best be determined from experience at each location.

**WARNING:** The collection of lint in the burner area and exhaust duct work can create a potential fire hazard.

8. For personal safety, the dryer *must be* electrically grounded in accordance with local codes and/or the National Electric Code ANSI/NFPA NO. 70-LATEST EDITION.

**NOTE:** Failure to do so will VOID THE WARRANTY.

9. **UNDER NO CIRCUMSTANCES** should the dryer door switches, lint drawer switch, heat safety circuit, or tilt switches ever be disabled.

**WARNING: PERSONAL INJURY or FIRE COULD RESULT.**

10. This dryer is not to be used in the presence of dry cleaning solvents or fumes.
11. Remove articles from the dryer as soon as the drying cycle has been completed.

**WARNING:** Articles left in the dryer after the drying and cooling cycles have been completed can create a fire hazard.

12. **DO NOT** operate steam dryers with more than 125 PSI steam pressure. Excessive steam pressure can damage steam coil and/or harm personnel.
13. Replace leaking flexible hoses or other steam fixtures immediately. **DO NOT** operate the dryer with leaking flexible hoses. **PERSONAL INJURY MAY RESULT.**
14. **READ** and **FOLLOW ALL CAUTION** and **DIRECTION LABELS ATTACHED TO THE DRYER.**

**WARNING: YOU MUST DISCONNECT and LOCKOUT THE ELECTRIC SUPPLY and THE GAS SUPPLY or THE STEAM SUPPLY BEFORE ANY COVERS or GUARDS ARE REMOVED FROM THE MACHINE TO ALLOW ACCESS FOR CLEANING, ADJUSTING, INSTALLATION, or TESTING OF ANY EQUIPMENT per OSHA (Occupational Safety and Health Administration) STANDARDS.**

# SECTION II

## SPECIFICATIONS and TILTING DIMENSIONS

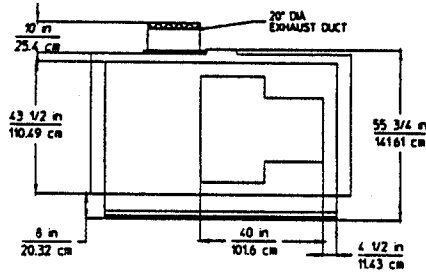
### A. SPECIFICATIONS (Gas and Steam Models)

MAXIMUM CAPACITY (Dry Weight)		200 lbs.	90.9 kg	
BASKET DIAMETER		62-1/2"	158.75 cm	
BASKET DEPTH		42"	106.7 cm	
BASKET VOLUME		74.5 cu. ft.	2.11 cu.m.	
DRIVE MOTOR		3 HP	2.24 kw	
BLOWER MOTOR (Gas/Steam)		7-1/2 HP/15 HP	5.6 kw/11.2 kw	
DOOR OPENING		36-3/4" w x 43" h	93.3 cm x 109.2 cm	
DOOR SILL HEIGHT - Level		37-1/4"	94.6 cm	
COMPRESSED AIR		80 PSI	5.63 kg/cu.m.	
COMPRESSED AIR CONNECTION		3/8" F.P.T.	.953 cm	
Gas*	VOLTAGE AVAILABLE		208-460v / 3ø / 3, 4w / 50/60Hz	
	HEAT INPUT		750,000 btu/hr	
	APPROX. WEIGHT (Uncrated)		3,369 lbs.	
	AIRFLOW		5,300 cfm	
	INLET PIPE SIZE		1-1/4"	
Steam*	VOLTAGE AVAILABLE		208-460v / 3ø / 3, 4w / 50/60Hz	
	APPROX. WEIGHT (Uncrated)		3,719 lbs.	
	AIRFLOW		6,500 cfm	
	STEAM CONSUMPTION		BOILER HP NORMAL LOAD	
	890 lbs/hr	404.5 kg/hr	27	
	OPERATING STEAM PRESSURE		STEAM SUPPLY	STEAM RETURN
	125 psi max	8.79 kg/sq cm	1-1/2"	3.81 cm
		3/4"	1.91 cm	

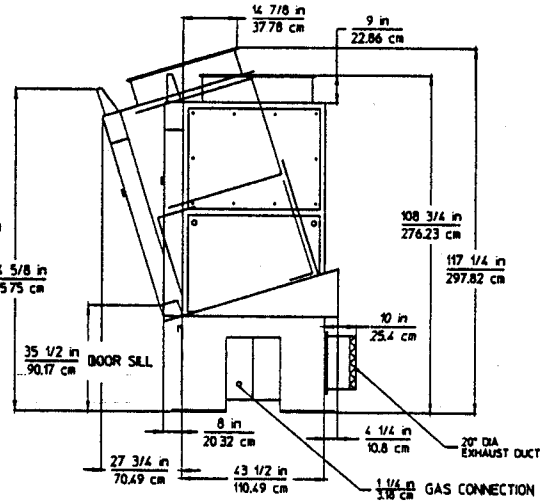
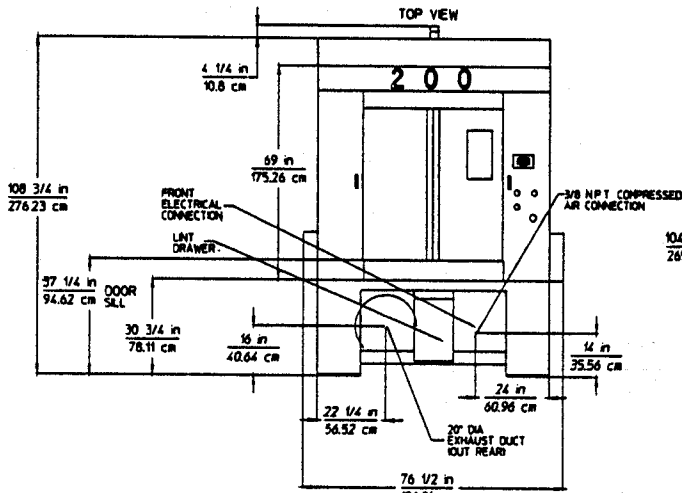
*Shaded areas are stated in metric equivalents.*

\* Dryer must be provided with a clean, dry, regulated 80 PSI (+/- 10 psi) air supply (equivalent volume = 9 cfh).

**NOTE: ADC RESERVES THE RIGHT TO MAKE CHANGES IN SPECIFICATIONS AT ANY TIME, WITHOUT NOTICE or OBLIGATION.**

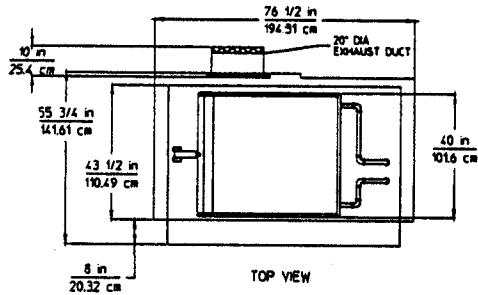


**ADG-200 TILTING\*  
1-DOOR/1-WAY  
GAS MODEL**



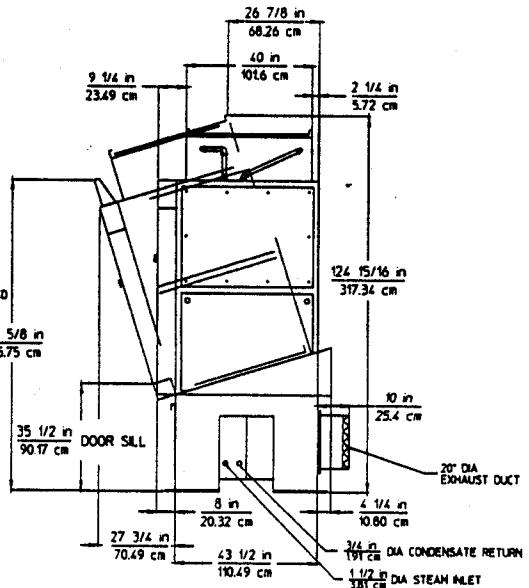
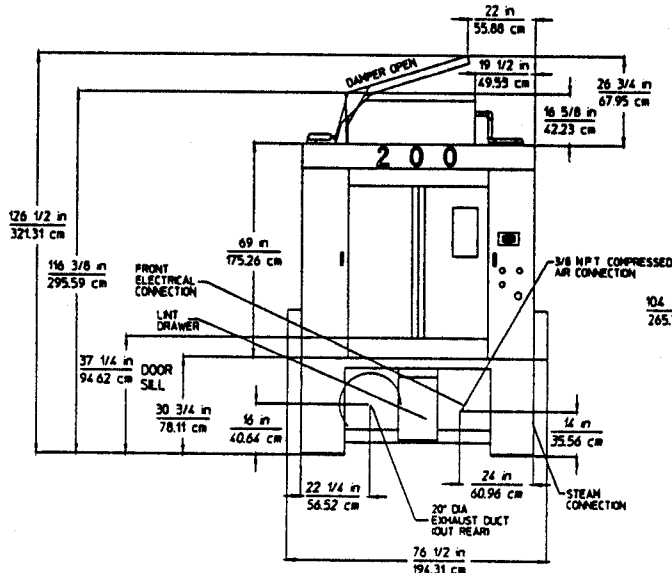
FRONT VIEW

SIDE VIEW



SPEC123

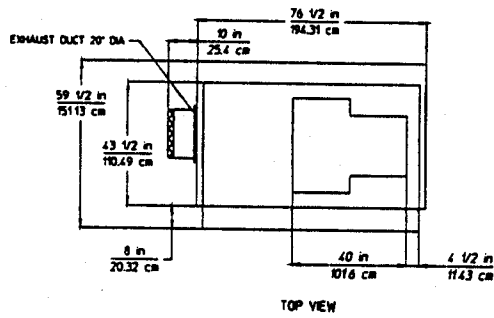
**ADS-200 TILTING\*  
1-DOOR/1-WAY  
STEAM MODEL**



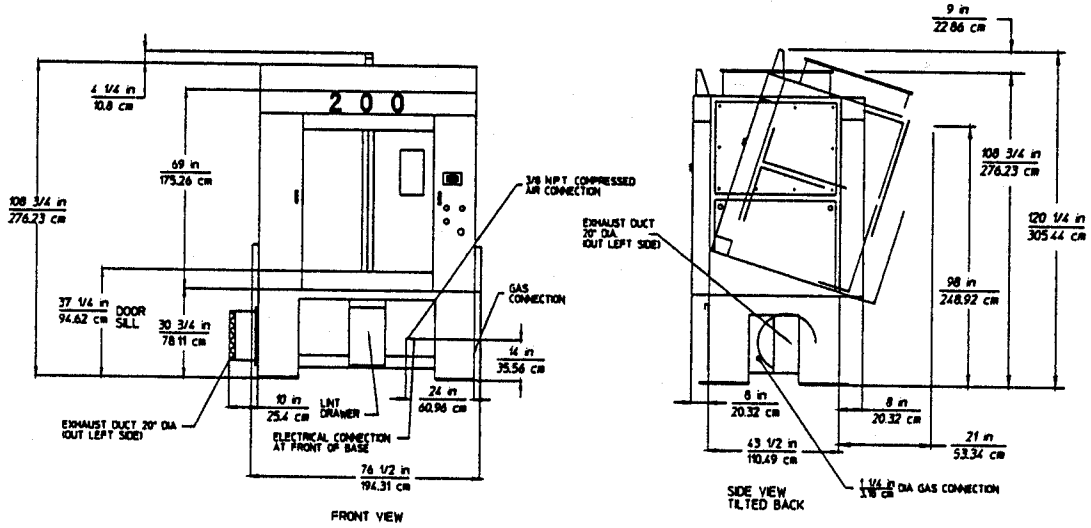
FRONT VIEW

SIDE VIEW

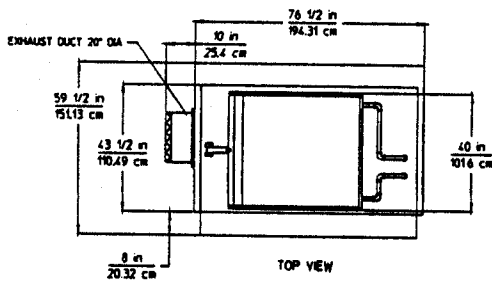
\* BOTH GAS AND STEAM TILTING UNITS MUST BE SUPPLIED WITH CLEAN, DRY, REGULATED AIR AT 80 PSI (+/- 10 PSI).



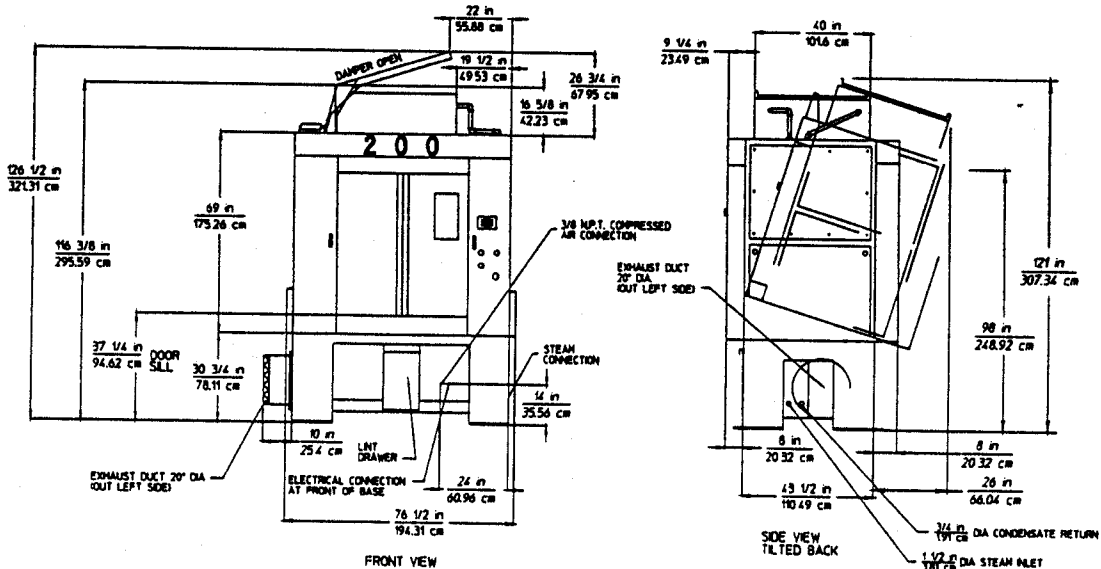
**ADG-200 TILTING\*  
2-DOOR/1-WAY  
GAS MODEL**



SPEC.122

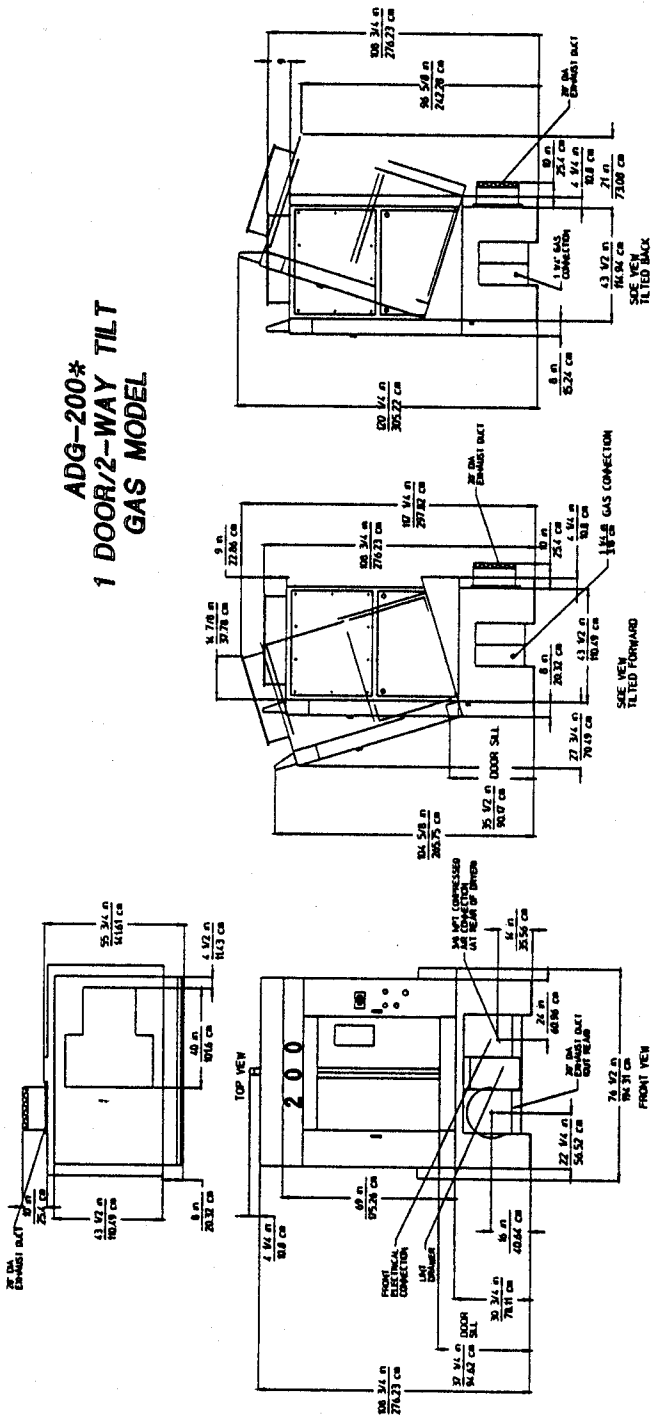


**ADS-200 TILTING\*  
2-DOOR/1-WAY  
STEAM MODEL**



\* BOTH GAS AND STEAM TILTING UNITS MUST BE SUPPLIED WITH CLEAN, DRY, REGULATED AIR AT 80 PSI (+/- 10 PSI).

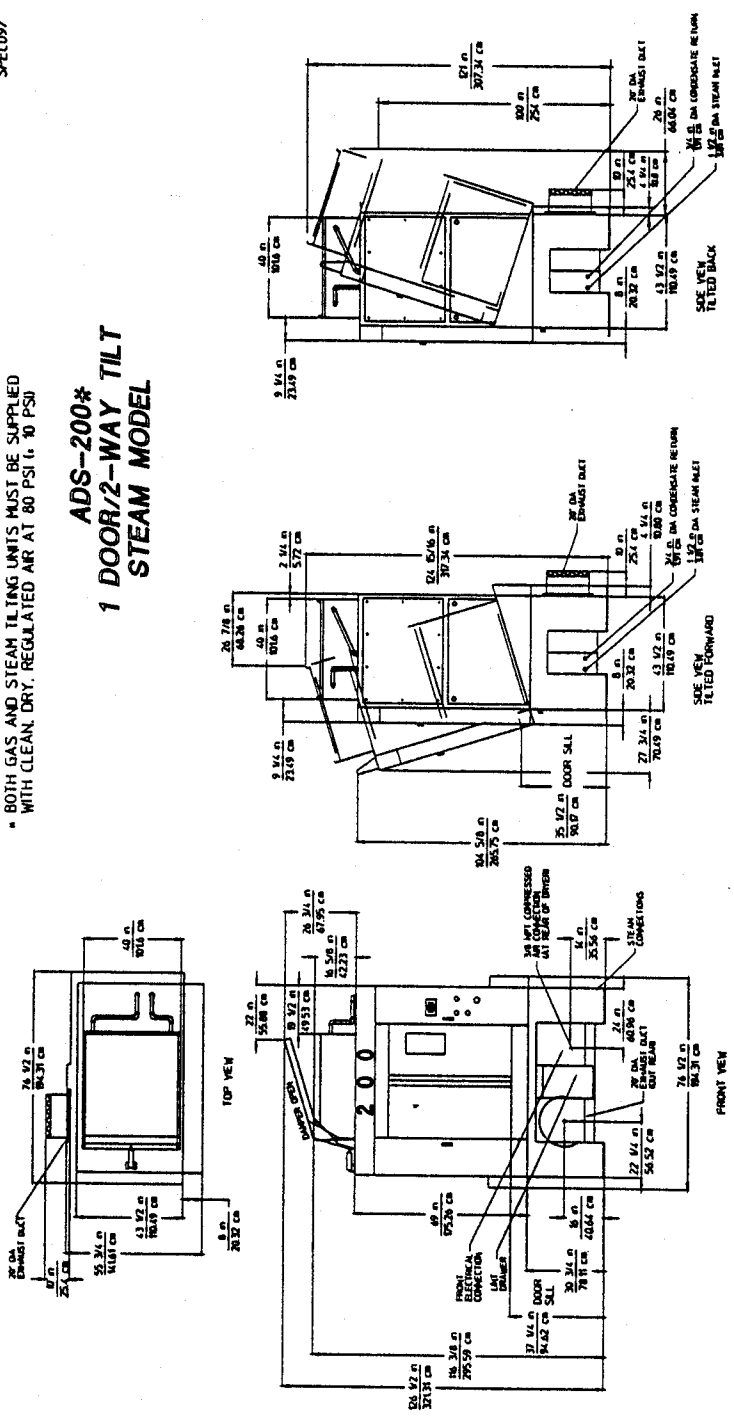
**ADG-200\***  
**1 DOOR/2-WAY TILT**  
**GAS MODEL**



SPEC097

**ADS-200\***  
**1 DOOR/2-WAY TILT**  
**STEAM MODEL**

\* BOTH GAS AND STEAM TILTING UNITS MUST BE SUPPLIED WITH CLEAN, DRY, REGULATED AIR AT 80 PSI (6, 90 PSID)



# SECTION III

## INSTALLATION PROCEDURES

Installation in a proper location should be performed by competent technicians in accordance with local and state codes. In the absence of these codes, installation **must conform** to applicable American National Standards: National Fuel Gas Code ANSI.Z223.1-LATEST EDITION and/or National Electric Code ANSI/NFPA NO. 70-LATEST EDITION.

### A. REASSEMBLY OF DRYER

**IMPORTANT:** Always keep the tumbler (basket) section of the dryer in an upright position when moving it.

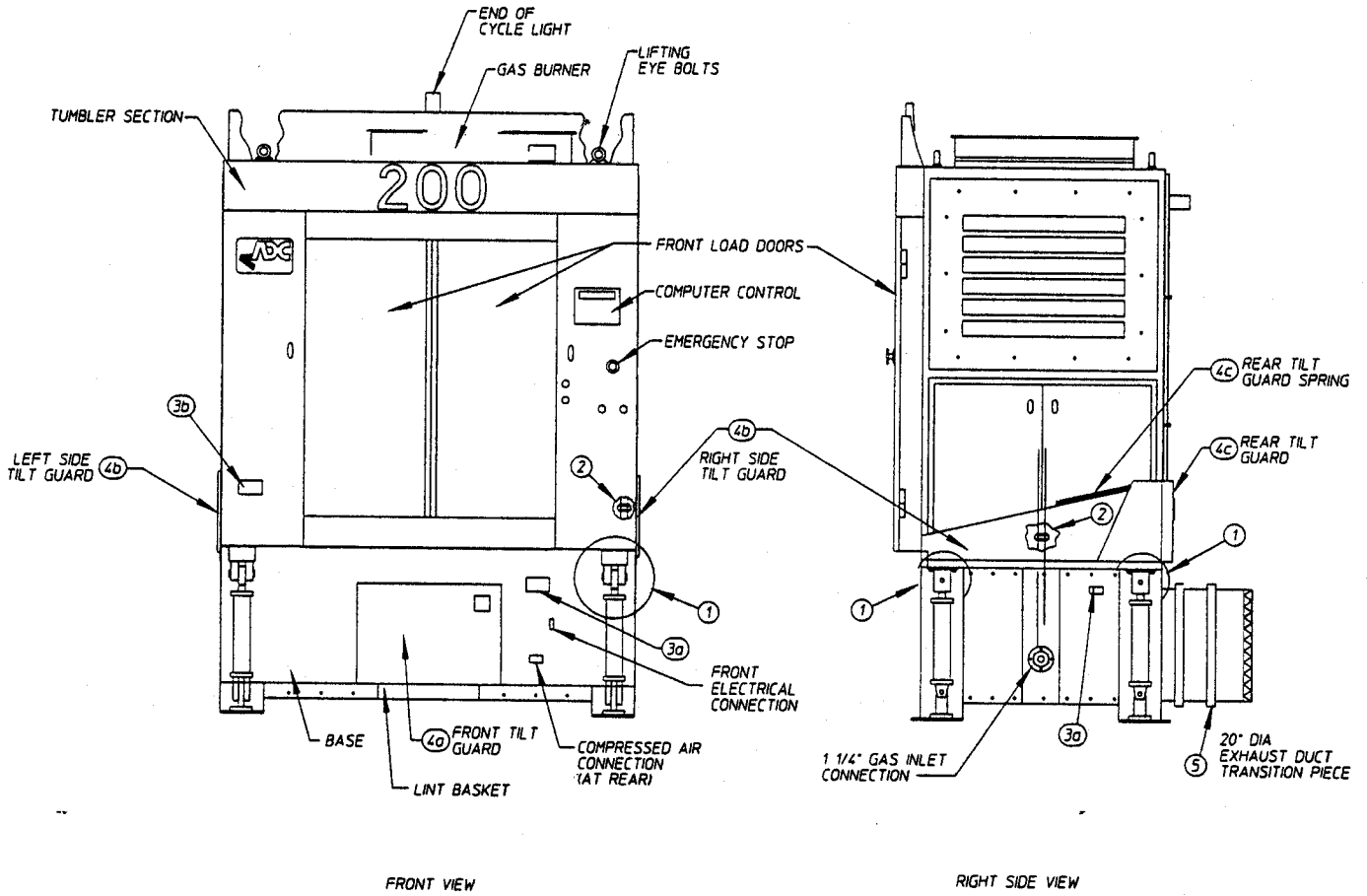
The AD-200 dryer may be shipped one of two ways; as a complete unit fully assembled and ready for hookup or with the tumbler (basket) section separated from the base. If the dryer is shipped in two (2) pieces, the tumbler (basket) section will have to be lifted onto the base. Use cables through the eye bolts on top of the tumbler section, or use a fork lift for the lifting process.

The AD-200 Tilting dryer is made in many loading and unloading options. Please refer to the reassembly instructions on the following pages for your particular style of dryer.

If a steam dryer is shipped in two (2) pieces, the steam coil may have been removed from the top of the tumbler (basket) section and shipped with the base. If this is the case, lift the steam coil on to the top of the tumbler section with the steam pipe connections facing towards the right side of the dryer and bolt the coil to the top of the dryer with the 1/4" hardware supplied. There are three (3) panels that cover the front, right side, and rear of the steam coil. Fasten these in position also. Reconnect the steam and condensate pipe unions to the coil. These pipes run down to the flex hoses in the base.

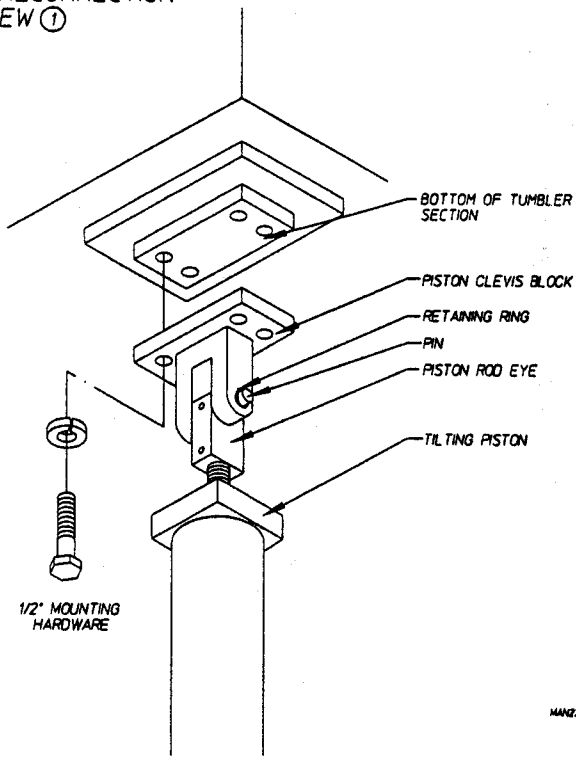
# 1. Reassembly Instructions For Gas Dryer Shipped In Two Pieces

## ADG-200 1-Door / 2-Way Tilt



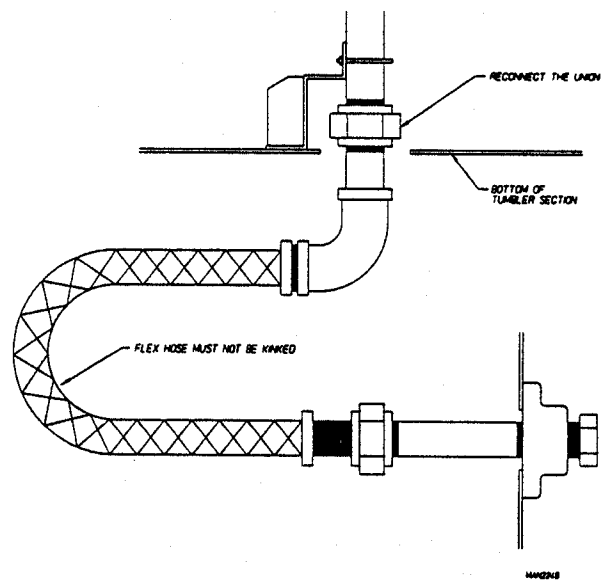
MAN2241

PISTON RECONNECTION  
VIEW ①



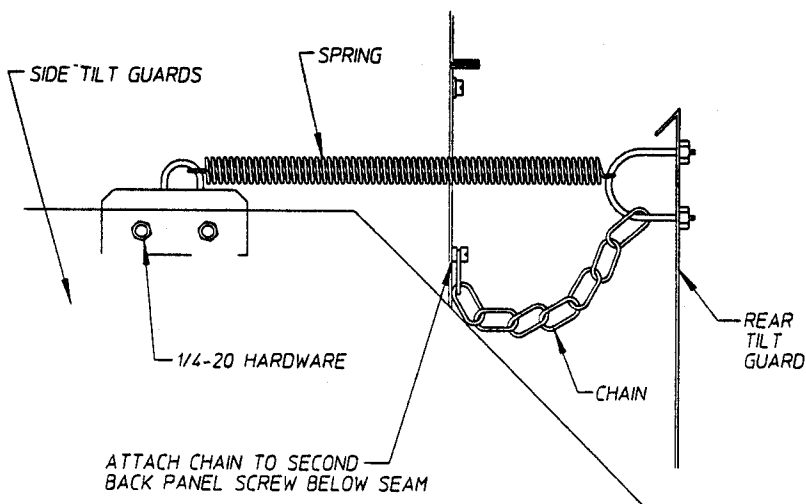
MAN237

GAS FLEX HOSE UNION RECONNECTION  
VIEW ②



**ADG-200 1-Door / 2-Way Tilt**

VIEW ④



MAN2247



a. Reassembly For 1-Door/2-Way Tilt Gas Dryers:

**Lift the tumbler (basket) section onto the base.**

- 1) 2-Way Tilt dryers have four (4) tilting pistons in the base, one (1) on each corner. On the top of each piston is a clevis block. Use the four (4) 1/2" diameter x 1-1/8" long hex head bolts with lock washers to secure each piston clevis block to the bottom of the tumbler section. (Refer to the [top] View 1 on the previous page [page 12].)
- 2) The flexible gas hose union is disconnected when the dryer is shipped in two (2) pieces. The flexible gas hose is located in the right side of the base. Insert the flexible hose with the union half up through the hole on the bottom of the tumbler section and retighten the union. The flex hose *must not* be kinked. (Refer to [center] View 2 on the previous page [page 12].)
- 3) There are two (2) electrical reconnections:
  - a) A plug and cable is located in the right side of the base. This *must be* lifted up and reconnected into the mating socket located at the bottom of the right tumbler section.
  - b) The drive motor wires *must be* lifted up from the base and reconnected into the junction box next to the tumbler drive motor in the left side of the tumbler section.

Make sure both reconnected cables have enough slack in them to allow the dryer to tilt freely in both directions.

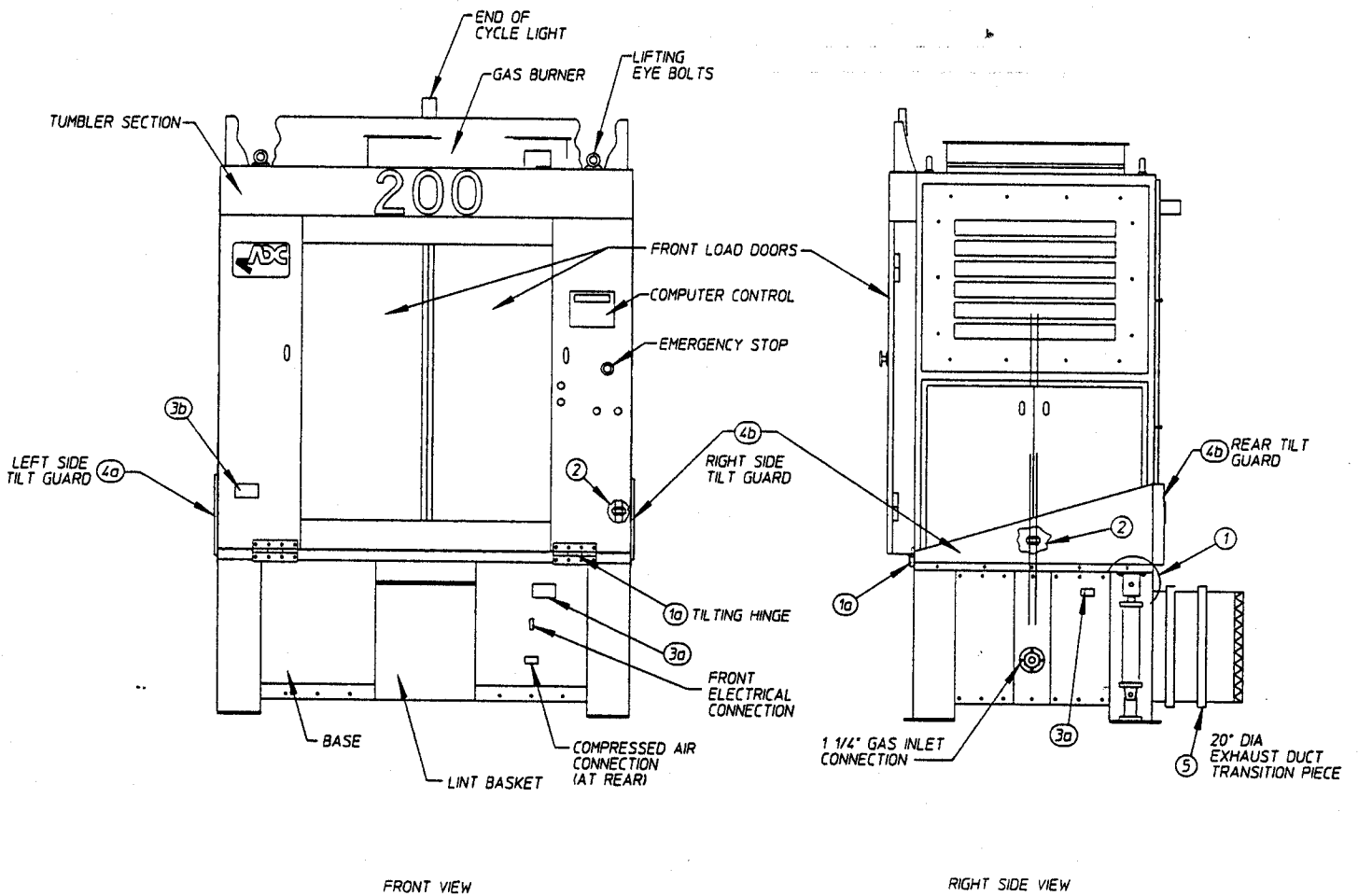
- 4) Reattach the tilt guard panels:
  - a) Use the 1/4-20 x 3/8" hex head bolts with lock washers to bolt the top of the front tilt guard up into the bottom of the front of the tumbler section.
  - b) Use 1/4" self-tapping screws to secure the side tilt guards on the top sides of the base.
  - c) Use 1/4" self-tapping screws to secure the rear tilt guards on the rear of the base.

Reconnect the spring and claw assembly which connects the rear tilt guard to each side tilt guard. (Refer to [bottom] View 4c on the previous page [page 12].) This spring keeps the rear tilt guard close to the dryers back as the dryer is tilted forward and back.

- 5) Secure the 20" diameter exhaust duct transition piece to the dryers' rectangular exhaust duct with the 1/4-20 self-tapping screws supplied with the dryer. The exhaust duct exits from the rear of the base.
- 6) On dryers equipped with an automatic (piston operated) load door, reconnect the two (2) poly flow air lines that run from the base up to the door pistons.

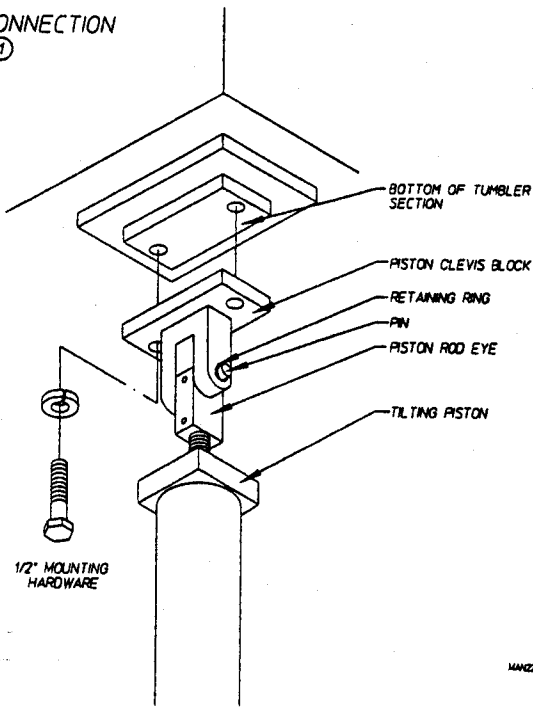
## 2. Reassembly Instructions For Gas Dryer Shipped In Two Pieces

# ADG-200 1-Door / Forward Tilt



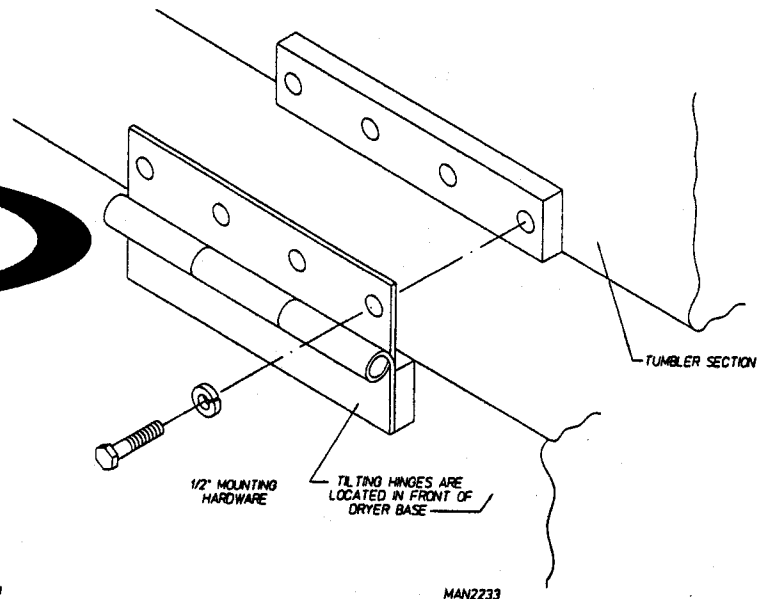
MAN2240

PISTON RECONNECTION  
VIEW ①



MAN2271

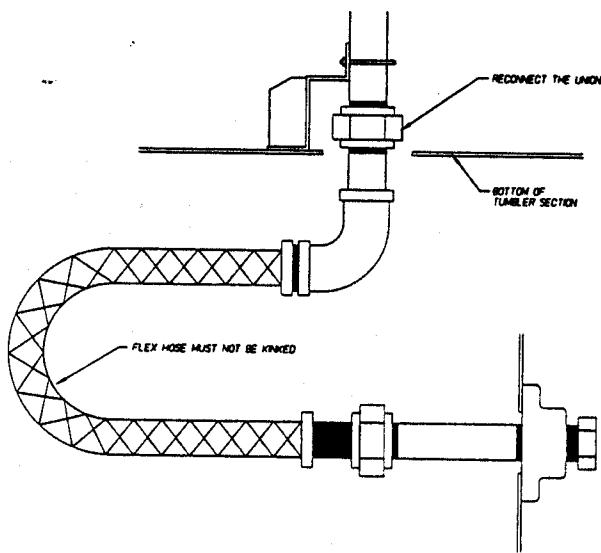
HINGE RECONNECTION  
VIEW ①a



MAN2233

**ADG-200 1-Door / Forward Tilt**

GAS FLEX HOSE UNION RECONNECTION  
VIEW ②



MAN2240

a. Reassembly For 1-Door/Forward Tilt Gas Dryers:

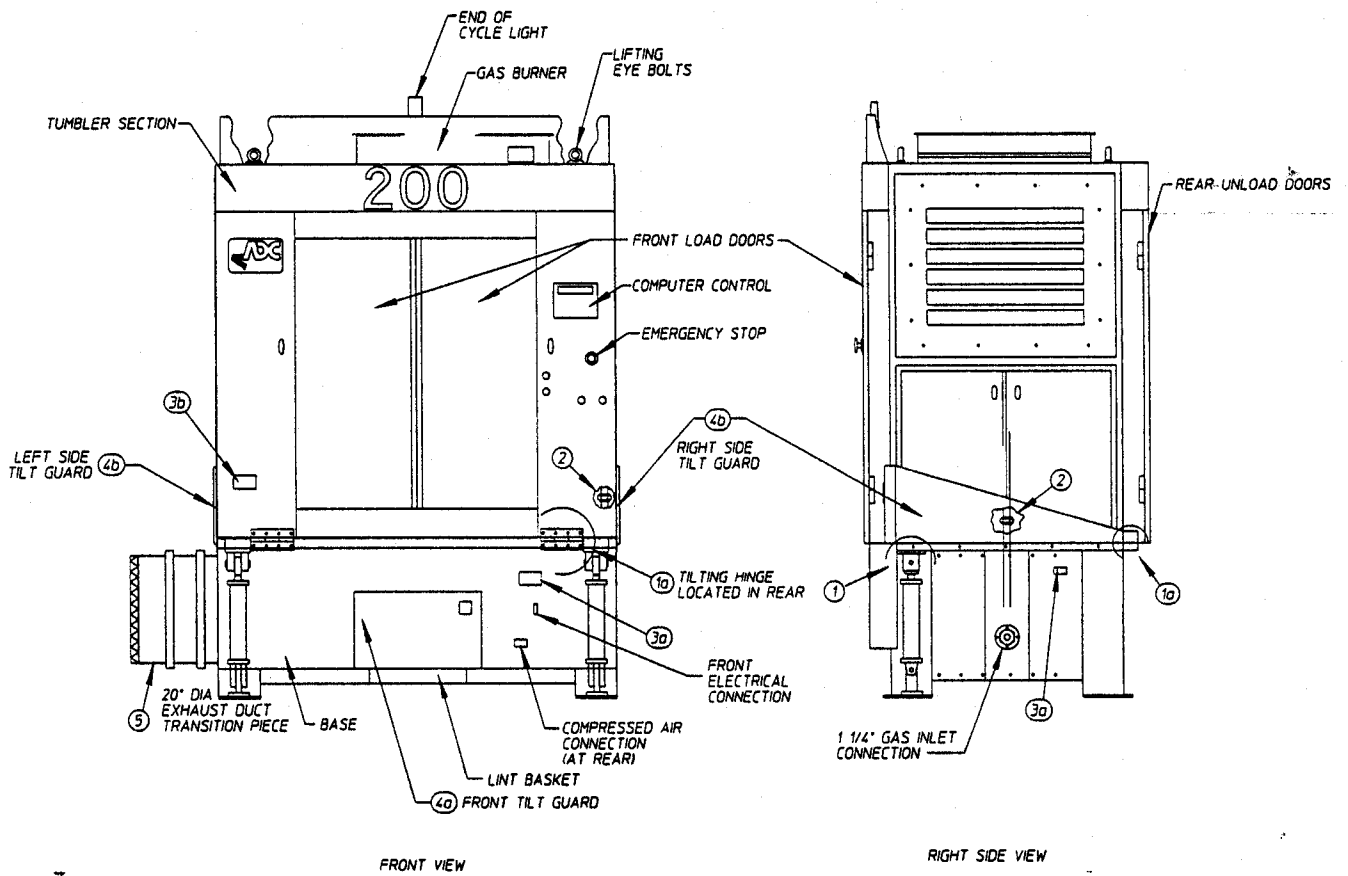
**Lift the tumbler (basket) section onto the base.**

- 1) Forward Tilt dryers have two (2) tilting pistons in the rear of the base. On the top of each piston is a clevis block. Use the two (2) 1/2" diameter x 1-1/2" long hex head bolts with lock washers to secure each piston clevis block to the bottom of the tumbler section. (Refer to the [top] View 1 on the previous page [[page 15](#)].)
  - a) Reattach the two (2) base tilting hinges in the front of the dryer to the tumbler section using the 1/2" x 1-1/2" hex head bolts and lock washers supplied. (Refer to [center] View 1a on the previous page [[page 15](#)].)
- 2) The flexible gas hose union is disconnected when the dryer is shipped in two (2) pieces. The flexible gas hose is located in the right side of the base. Insert the flexible hose with the union half up through the hole on the bottom of the tumbler section and retighten the union. The flex hose *must not* be kinked. (Refer to [bottom] View 2 on the previous page [[page 15](#)].)
- 3) There are two (2) electrical reconnections:
  - a) A plug and cable is located in the right side of the base. This *must be* lifted up and reconnected into the mating socket located at the bottom of the right tumbler section.
  - b) The tumbler section power cable *must be* lifted up from the base and reconnected into the junction box next to the tumbler drive motor in the left side of the tumbler section.

Make sure both reconnected cables have enough slack in them to allow the dryer to tilt freely in both directions.
- 4) Reattach the tilt guard panels:
  - a) Use 1/4" self-tapping screws to secure the right side and left side tilt guards.
  - b) Use 1/4" self-tapping screws to secure the rear tilt guards on the rear of the base. Also secure both outside edges of the rear tilt guard to each side guard using sheet metal screws.
- 5) Secure the 20" diameter exhaust duct transition piece to the dryers' rectangular exhaust duct with the 1/4-20 self-tapping screws supplied with the dryer. The exhaust duct exits from the rear of the base.
- 6) On dryers equipped with an automatic (piston operated) load door, reconnect the two (2) poly flow air lines that run from the base up to the door pistons.

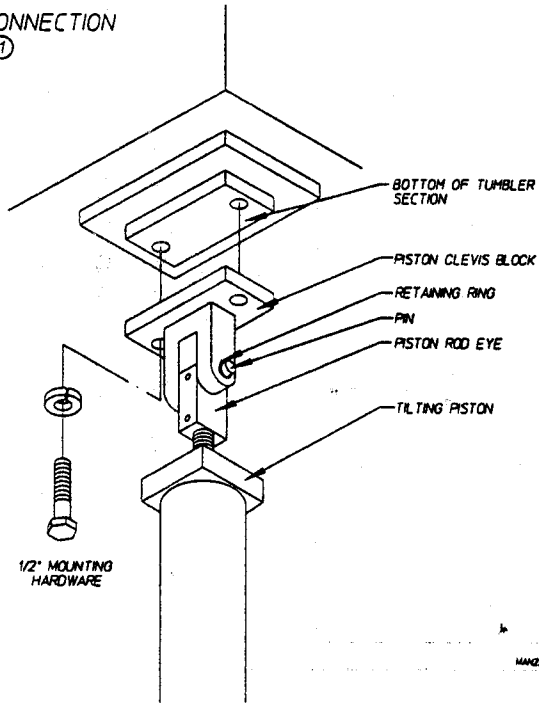
### 3. Reassembly Instructions For Gas Dryer Shipped In Two Pieces

## ADG-200 2-Door / Rear Tilt (Pass Thru)

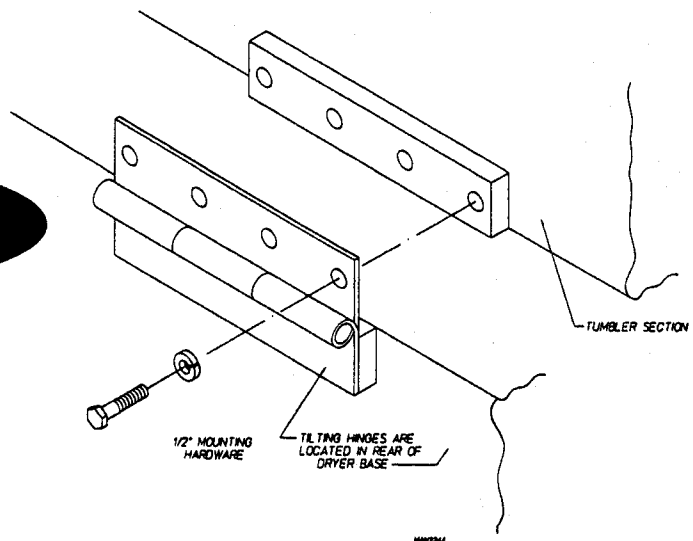


MAN2238

PISTON RECONNECTION  
VIEW ①

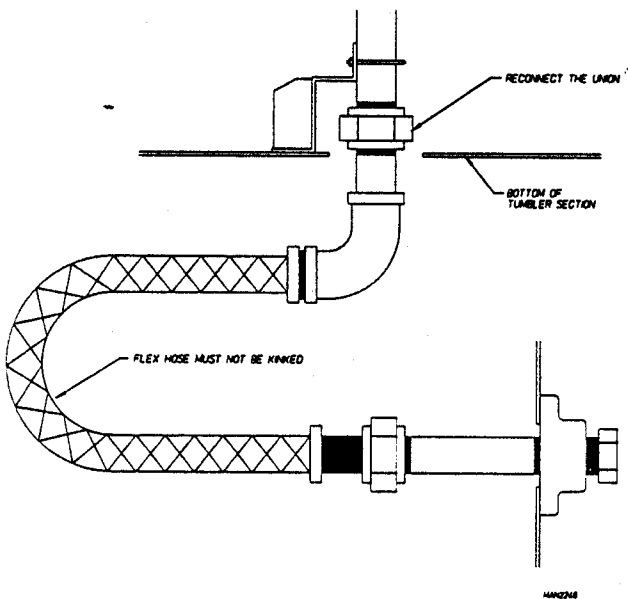


HINGE RECONNECTION  
VIEW ⑩



**ADG-200 2-Door / Rear Tilt  
(Pass Thru)**

GAS FLEX HOSE UNION RECONNECTION  
VIEW ②



a. Reassembly For 2-Door/Rear Tilt (Pass Thru) Gas Dryers:

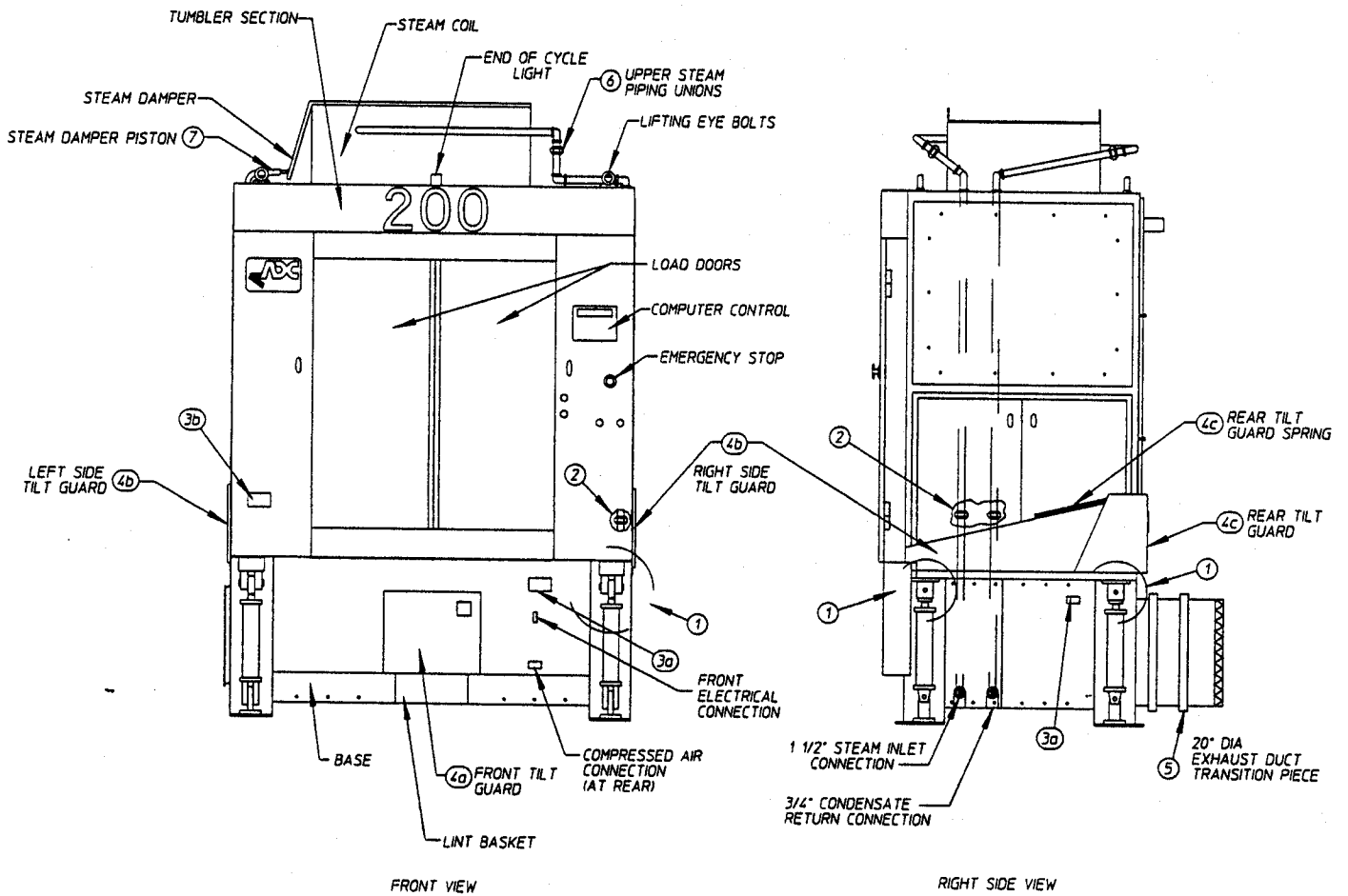
**Lift the tumbler (basket) section onto the base.**

- 1) Rear Tilt dryers have two (2) tilting pistons in the rear of the base. On the top of each piston is a clevis block. Use the two (2) 1/2" diameter x 1-1/2" long hex head bolts with lock washers to secure each piston clevis block to the bottom of the tumbler section. (Refer to the [top] View 1 on the previous page [[page 18](#)].)
  - a) Reattach the two (2) base tilting hinges in the rear of the dryer to the tumbler section using the 1/2" x 1-1/2" hex head bolts and lock washers supplied. (Refer to [center] View 1a on the previous page [[page 18](#)].)
- 2) The flexible gas hose union is disconnected when the dryer is shipped in two (2) pieces. The flexible gas hose is located in the right side of the base. Insert the flexible hose with the union half up through the hole on the bottom of the tumbler section and retighten the union. The flex hose *must not* be kinked. (Refer to [bottom] View 2 on the previous page [[page 18](#)].)
- 3) There are two (2) electrical reconnections:
  - a) A plug and cable is located in the right side of the base. This *must be* lifted up and reconnected into the mating socket located at the bottom of the right tumbler section.
  - b) The tumbler section power cable *must be* lifted up from the base and reconnected into the junction box next to the tumbler drive motor in the left side of the tumbler section.

Make sure both reconnected cables have enough slack in them to allow the dryer to tilt freely in both directions.
- 4) Reattach the tilt guard panels:
  - a) Use 1/4-20 x 3/8" hex head bolts with lock washers to bolt the top of the front tilt guard up to the bottom of the front of the tumbler section.
  - b) Use 1/4" self-tapping screws to secure the right side and left side tilt guards.
- 5) Secure the 20" diameter exhaust duct transition piece to the dryers' rectangular exhaust duct with the 1/4-20 self-tapping screws supplied with the dryer. The exhaust duct exits from the left side of the base.
- 6) On dryers equipped with two (2) automatic (piston operated) load and unload doors, reconnect the poly flow air lines that run from the base up to each set of door pistons.

# 4. Reassembly Instructions For Steam Dryer Shipped In Two Pieces

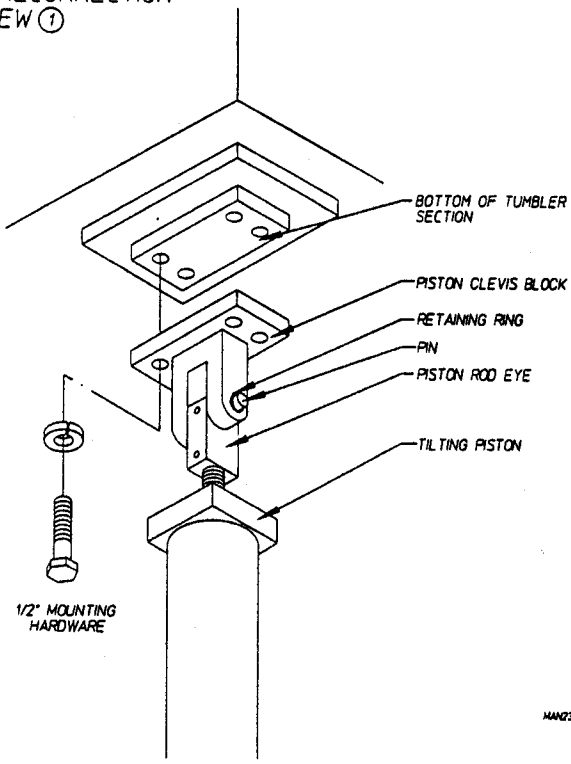
## ADS-200 1-Door / 2-Way Tilt



MAN2235



PISTON RECONNECTION  
VIEW ①

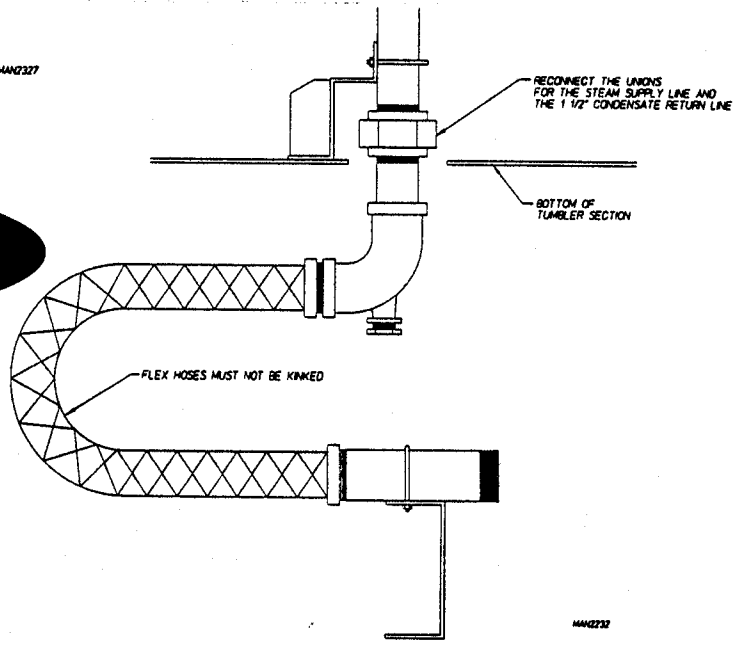


1/2" MOUNTING  
HARDWARE

MAN227

**ADS-200 1-Door / 2-Way Tilt**

STEAM FLEX HOSE UNIONS  
VIEW ②



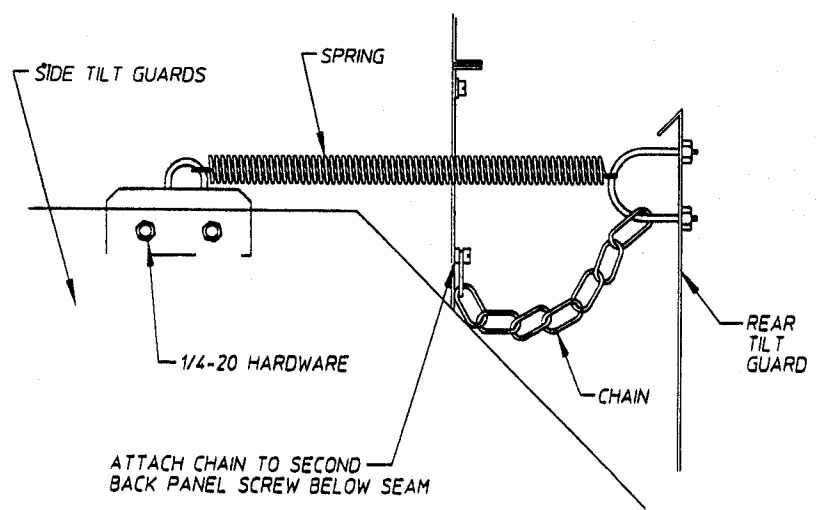
RECONNECT THE UNIONS  
FOR THE STEAM SUPPLY LINE AND  
THE 1/2" CONDENSATE RETURN LINE

BOTTOM OF  
TUMBLER SECTION

FLEX HOSES MUST NOT BE KINKED

MAN227

VIEW ④



ATTACH CHAIN TO SECOND  
BACK PANEL SCREW BELOW SEAM

MAN2247

a. Reassembly For 1-Door/2-Way Tilt Steam Dryers:

**Lift the tumbler (basket) section onto the base.**

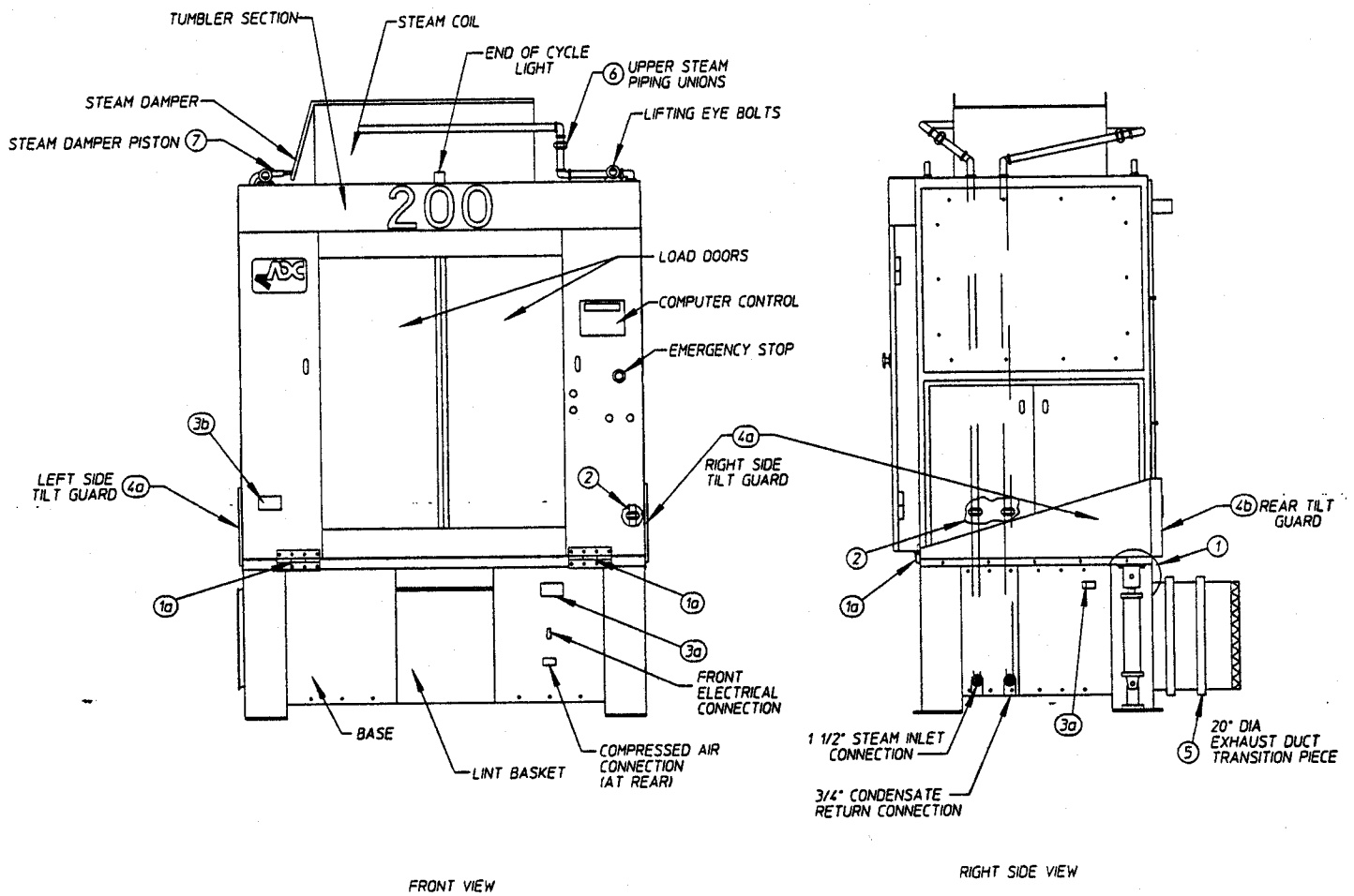
- 1) 2-Way Tilt dryers have four (4) tilting pistons in the base, one (1) on each corner. On the top of each piston is a clevis block. Use the four (4) 1/2" diameter x 1-1/8" long hex head bolts with lock washers to secure each piston clevis block to the bottom of the tumbler section. (Refer to the [top] View 1 on the previous page [page 21].)
- 2) Both the 1-1/2" steam supply line and the 3/4" condensate return line flexible hose unions are disconnected when the dryer is shipped in two (2) pieces. The flexible hoses are located in the right side of the base. Insert both flexible hose union halves up through the holes on the bottom of the tumbler section and retighten the unions. The flex hoses *must not* be kinked. (Refer to [center] View 2 on the previous page [page 21].)
- 3) There are two (2) electrical reconnections:
  - a) A plug and cable is located in the right side of the base. This *must be* lifted up and reconnected into the mating socket located at the bottom of the right tumbler section.
  - b) The tumbler section power *must be* lifted up from the base and reconnected into the junction box next to the tumbler drive motor in the left side of the tumbler section.

Make sure both reconnected cables have enough slack in them to allow the dryer to tilt freely in both directions.
- 4) Reattach the tilt guard panels:
  - a) Use the 1/4-20 x 3/8" hex head bolts with lock washers to bolt the top of the front tilt guard up into the bottom of the front of the tumbler section.
  - b) Use 1/4" self-tapping screws to secure the side tilt guards on the top sides of the base.
  - c) Use 1/4" self-tapping screws to secure the rear tilt guards on the rear of the base.

Reconnect the spring and claw assembly which connects the rear tilt guard to each side tilt guard. (Refer to [bottom] View 4c on the previous page [page 21].) This spring keeps the rear tilt guard close to the dryers back as the dryer is tilted forward and back.
- 5) Secure the 20" diameter exhaust duct transition piece to the dryers' rectangular exhaust duct with the 1/4-20 self-tapping screws supplied with the dryer. The exhaust duct exits from the rear of the base.
- 6) On dryers equipped with an automatic (piston operated) load door, reconnect the two (2) poly flow air lines that run from the base up to the door pistons.
- 7) Reconnect the 1/4" poly flow air line which runs from the base up to the steam damper solenoid valve, which is located on the top of the dryer.

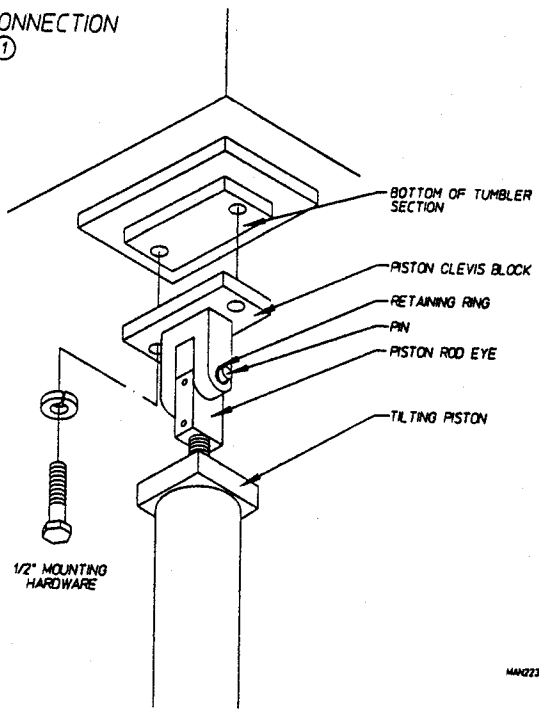
## 5. Reassembly Instructions For Steam Dryer Shipped In Two Pieces

### ADS-200 1-Door / Forward Tilt

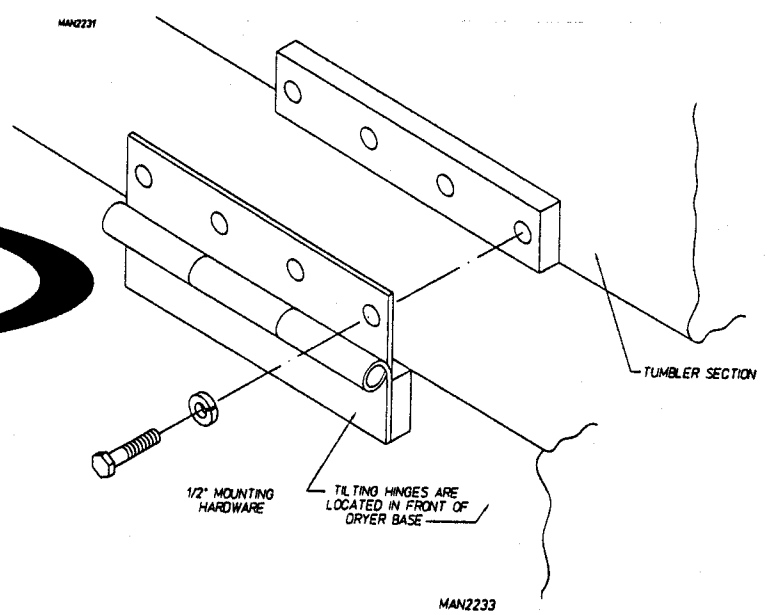


MAN2230

PISTON RECONNECTION  
VIEW ①

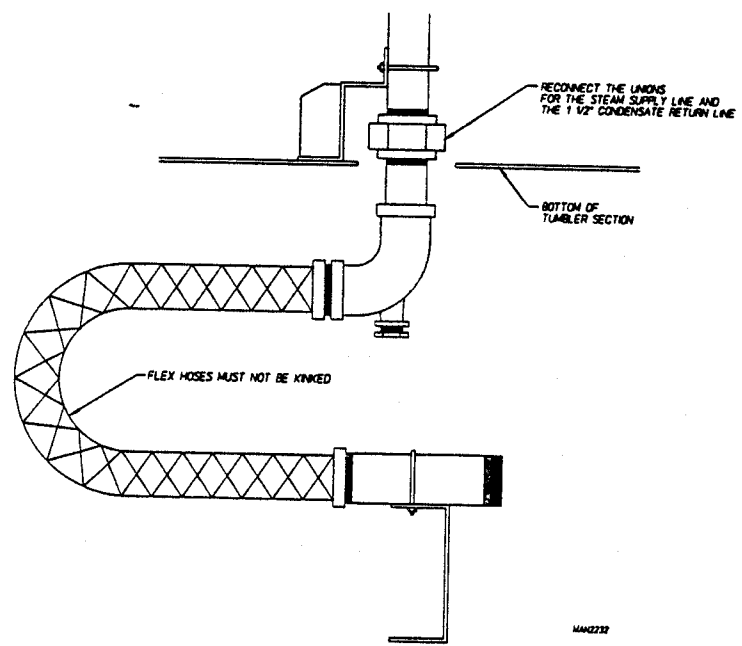


HINGE RECONNECTION  
VIEW ①a



**ADS-200 1-Door / Forward Tilt**

STEAM FLEX HOSE UNIONS  
VIEW ②



a. Reassembly For 1-Door/Forward Tilt Steam Dryers;

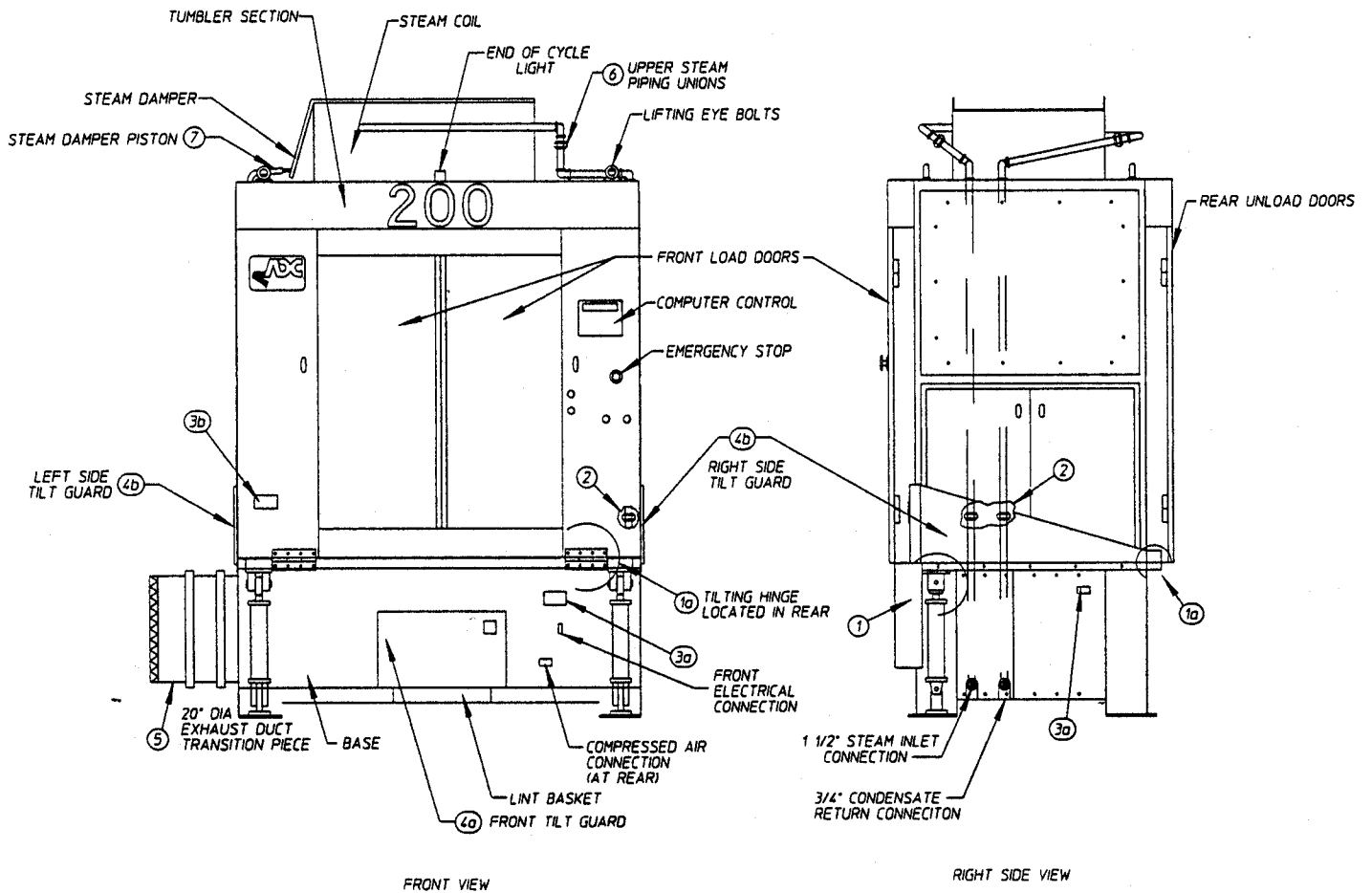
**Lift the tumbler (basket) section onto the base.**

- 1) Forward Tilt dryers have two (2) tilting pistons in the base, one (1) on each corner. On the top of each piston is a clevis block. Use the two (2) 1/2" diameter x 1-1/2" long hex head bolts with lock washers to secure each piston clevis block to the bottom of the tumbler section. (Refer to the [top] View 1 on the previous page [[page 24](#)].)
  - a) Reattach the two (2) base tilting hinges in the front of the dryer to the tumbler section using the 1/2" x 1-1/2" hex head bolts and lock washers supplied. (Refer to [center] View 1a on the previous page [[page 24](#)].)
- 2) Both the 1-1/2" steam supply line and the 3/4" condensate return line flexible hose unions are disconnected when the dryer is shipped in two (2) pieces. The flexible hoses are located in the right side of the base. Insert both flexible hose union halves up through the holes on the bottom of the tumbler section and retighten the unions. The flex hoses *must not* be kinked. (Refer to [bottom] View 2 on the previous page [[page 24](#)].)
- 3) There are two (2) electrical reconnections:
  - a) A plug and cable is located in the right side of the base. This *must be* lifted up and reconnected into the mating socket located at the bottom of the right tumbler section.
  - b) The tumbler section power *must be* lifted up from the base and reconnected into the junction box next to the tumbler drive motor in the left side of the tumbler section.

Make sure both reconnected cables have enough slack in them to allow the dryer to tilt freely in both directions.
- 4) Reattach the tilt guard panels:
  - a) Use 1/4" self-tapping screws to secure the right side and left side tilt guards.
  - b) Use 1/4" self-tapping screws to secure the rear tilt guards on the rear of the base. Also secure both outside edges of the rear tilt guard to each side guard using sheet metal screws.
- 5) Secure the 20" diameter exhaust duct transition piece to the dryers' rectangular exhaust duct with the 1/4-20 self-tapping screws supplied with the dryer. The exhaust duct exits from the rear of the base.
- 6) On dryers equipped with an automatic (piston operated) load door, reconnect the two (2) poly flow air lines that run from the base up to the door pistons.
- 7) Reconnect the 1/4" poly flow air line which runs from the base up to the steam damper solenoid valve, which is located on the top of the dryer.

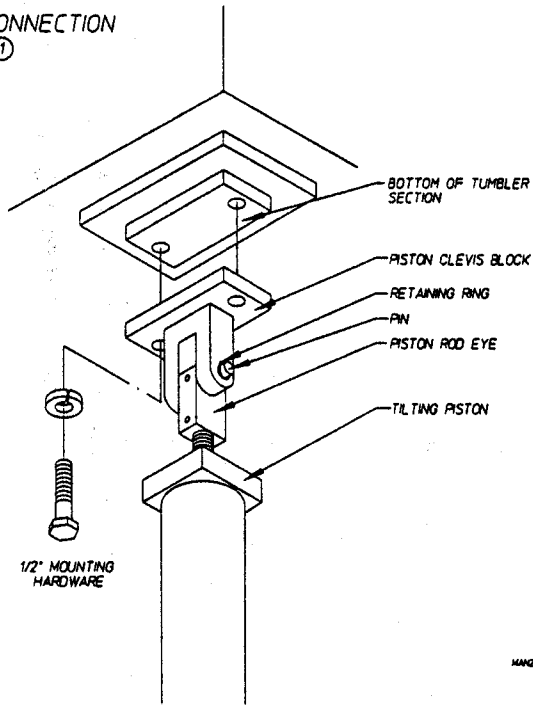
## 6. Reassembly Instructions For Steam Dryer Shipped In Two Pieces

### ADS-200 2-Door / Rear Tilt (Pass Thru)



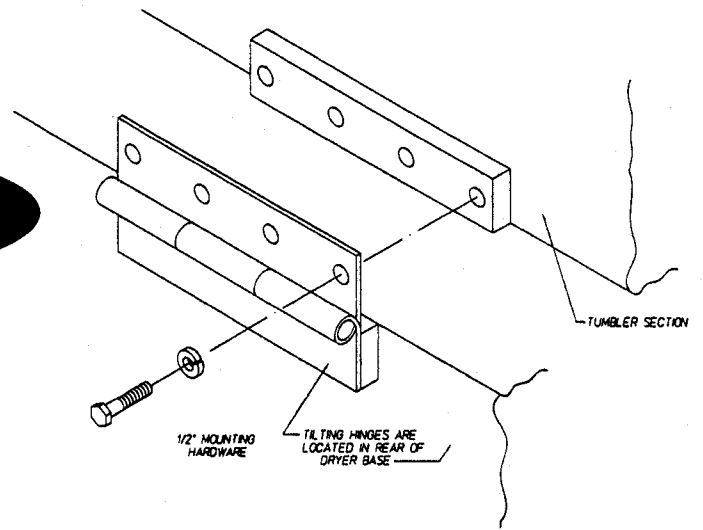
MAN2236

PISTON RECONNECTION  
VIEW ①



MAN221

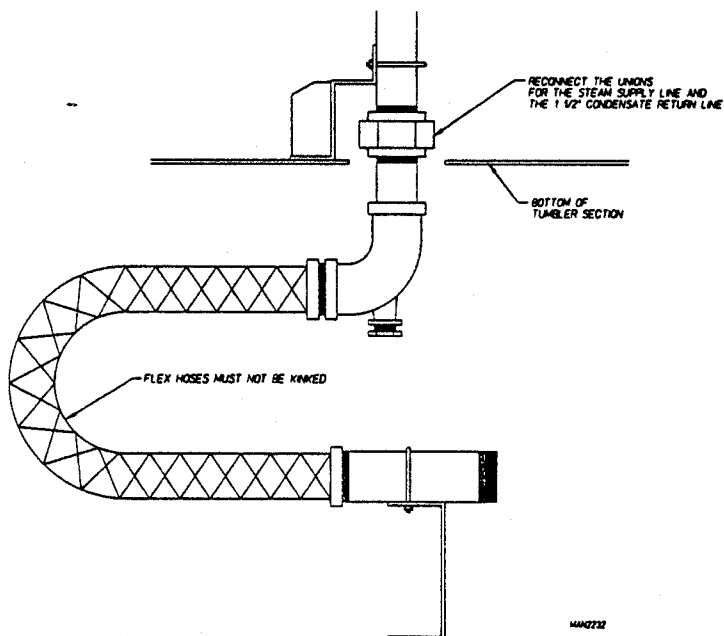
HINGE RECONNECTION  
VIEW ①a



MAN224

**ADS-200 2-Door / Rear Tilt  
(Pass Thru)**

STEAM FLEX HOSE UNIONS  
VIEW ②



MAN222

a. Reassembly For 1-Door/Forward Tilt Steam Dryers;

**Lift the tumbler (basket) section onto the base.**

- 1) Rear Tilt dryers have two (2) tilting pistons in the base. On the top of each piston is a clevis block. Use the two (2) 1/2" diameter x 1-1/2" long hex head bolts with lock washers to secure each piston clevis block to the bottom of the tumbler section. (Refer to the [top] View 1 on the previous page [page 27].)
  - a) Reattach the two (2) base tilting hinges in the front of the dryer to the tumbler section using the 1/2" x 1-1/2" hex head bolts and lock washers supplied. (Refer to [center] View 1a on the previous page [page 27].)
- 2) Both the 1-1/2" steam supply line and the 3/4" condensate return line flexible hose unions are disconnected when the dryer is shipped in two (2) pieces. The flexible hoses are located in the right side of the base. Insert both flexible hose union halves up through the holes on the bottom of the tumbler section and retighten the unions. The flex hoses *must not* be kinked. (Refer to [bottom] View 2 on the previous page [page 27].)
- 3) There are two (2) electrical reconnections:
  - a) A plug and cable is located in the right side of the base. This *must be* lifted up and reconnected into the mating socket located at the bottom of the right tumbler section.
  - b) The tumbler section power cable *must be* lifted up from the base and reconnected into the junction box next to the tumbler drive motor in the left side of the tumbler section.

Make sure both reconnected cables have enough slack in them to allow the dryer to tilt freely in both directions.
- 4) Reattach the tilt guard panels:
  - a) Use 1/4-20 x 3/8" hex head bolts with lock washers to bolt the top of the front tilt guard up to the bottom of the front of the tumbler section.
  - b) Use 1/4" self-tapping screws to secure the right side and left side tilt guards.
- 5) Secure the 20" diameter exhaust duct transition piece to the dryers' rectangular exhaust duct with the 1/4-20 self-tapping screws supplied with the dryer. The exhaust duct exits from the rear of the base.
- 6) On dryers equipped with an automatic (piston operated) load door, reconnect the two (2) poly flow air lines that run from the base up to the door pistons.
- 7) Reconnect the 1/4" poly flow air line which runs from the base up to the steam damper solenoid valve, which is located on the top of the dryer.



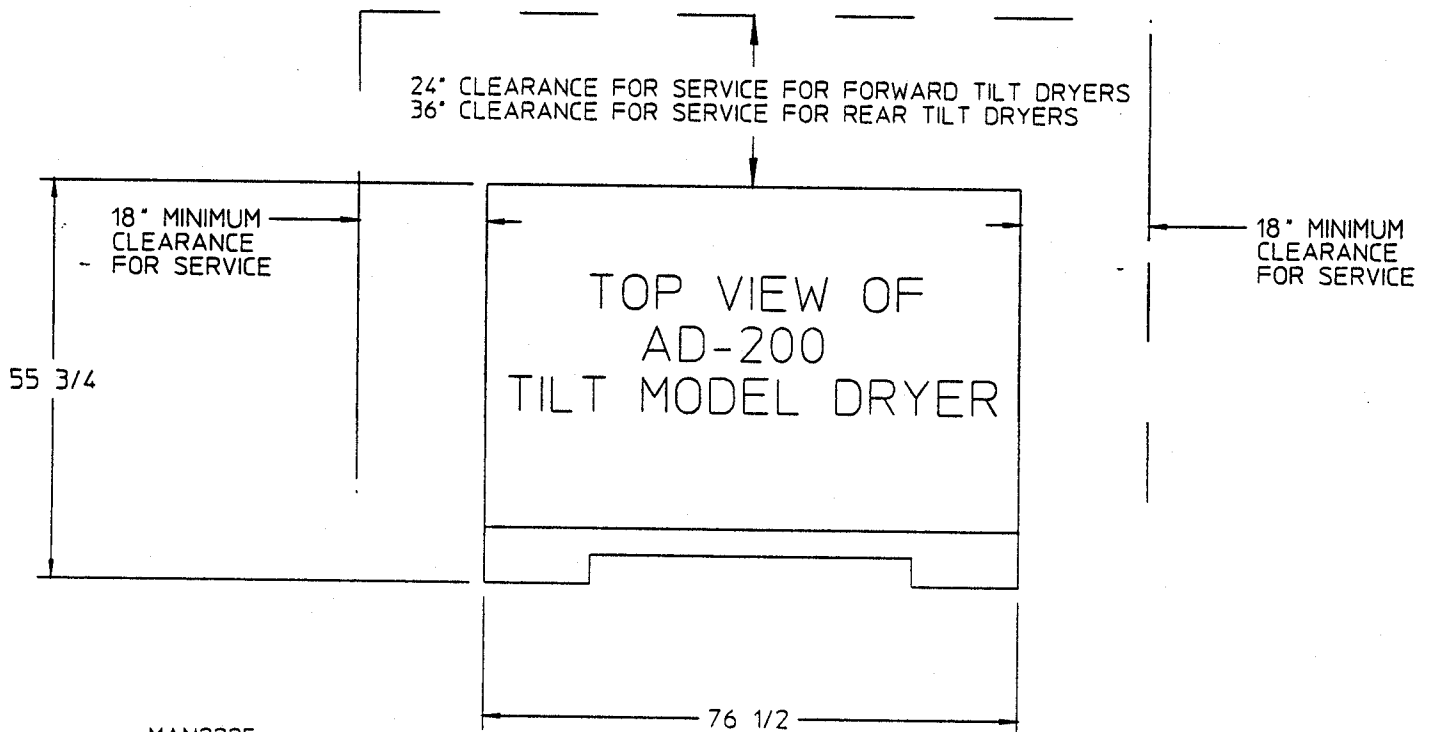
## B. LOCATION REQUIREMENTS

The model AD-200 tilting dryer requires 18-inches of space on each side of the dryer for ease of maintenance. For an AD-200 Forward Tilting model, a 24-inch clearance behind the dryer is required; for an AD-200 Rear Tilting or an AD-200 2-Way Tilt model, a 36-inch clearance behind the dryer is required for servicing the dryer. Refer to the chart below for ceiling height requirements for each of the AD-200 tilting dryer models.

The dryer must be leveled for proper operation. If shimming is required, put metal shims which are the same size as the base feet under the base feet. The dryer must be lagged to the floor.

AD-200 TILT CLEARANCE ALLOWANCE		
	Dryer Style	Ceiling Height Requirement
Gas	ADG-200 1-Door / 2-Way Tilt	124-inches
	ADG-200 1-Door / Forward Tilt	120-inches
	ADG-200 2-Door / Rear Tilt	124-inches
Steam	ADS-200 1-Door / 2-Way Tilt	130-inches
	ADS-200 1-Door / Forward Tilt	130-inches
	ADS-200 2-Door / Rear Tilt	130-inches

**IMPORTANT:** Dryer should be located where a minimum alength of exhaust duct will be necessary.



MAN2225

## C. FRESH AIR SUPPLY REQUIREMENTS

When the dryer is operating, it draws in room air, heats it, passes this air through the tumbler, and exhausts it out of the building. Therefore, the room air **must be** continually replenished from the outdoors. If make-up air is inadequate, drying time and efficiency will be adversely affected. Ignition problems and sail switch "fluttering" problems may result, as well as premature motor failure from overheating.

Air supply (make-up air) **must be** given careful consideration to assure proper performance of each dryer. An unrestricted source of air is necessary for each dryer. An airflow of 5,300 cfm (cubic feet per minute) **must be** supplied to each gas dryer and 6,500 cfm (cubic feet per minute) **must be** supplied to each steam dryer. As a general rule, an unrestricted air entrance from the outdoors (atmosphere) of a minimum of six (6) square feet is required for each gas dryer and a minimum of eight (8) square feet is required for each steam dryer.

To compensate for the use of registers or louvers used over the openings, this make-up air area **must be** increased by approximately thirty-three percent (33%). Make-up air openings **should not** be located in an area directly near where exhaust vents exit the building.

It is not necessary to have a separate make-up air opening for each dryer. Common make-up air openings are acceptable. However, they **must be** set up in such a manner that the make-up air is distributed equally to all the dryers.

Allowances **must be** made for remote or constricting passageways or where dryers are located at excessive altitudes or predominantly low pressure areas.

**IMPORTANT:** Make-up air **must be** provided from a source free of dry cleaning solvents fumes. Make-up air that is contaminated by dry cleaning solvent fumes will result in irreparable damage the motors and other dryer components.

**NOTE:** Component failure due to dry cleaning solvent fumes will VOID THE WARRANTY.

## D. EXHAUST REQUIREMENTS

**NOTE:** For 1-Door AD-200 dryer models, the 20-inch diameter exhaust duct exits from the rear of the base. For 2-Door AD-200 dryer models, the 20-inch diameter exhaust duct exits from the left side of the base.

**NOTE:** For 1-Door/2-Way Tilt AD-200 dryer models, keep the exhaust ducting at least 24-inches away from the back of the dryer so that the dryer will not hit the ducting when the dryer tilts to the rear.

### 1. General Exhaust Duct Work Information

Exhaust duct work **should** be designed and installed by a qualified professional. Improperly sized duct work will create excessive back pressure which results in slow drying, increased use of energy, overheating of the dryer, and shutdown of the burner by the airflow (sail) switches, burner hi-limits, or tumbler hi-heat thermostats.

**CAUTION: DRYER MUST BE EXHAUSTED TO THE OUTDOORS.**

**CAUTION: IMPROPERLY SIZED OR INSTALLED EXHAUST DUCT WORK CAN CREATE A POTENTIAL FIRE HAZARD.**

**NOTE:** When a dryer is exhausted separately, it is recommended that a back draft damper be installed.

**NOTE:** When dryers are exhausted into a multiple (common) exhaust line, each dryer **must** be supplied with a back draft damper.

The duct work **should** be laid out in such a way that the duct work travels as directly as possible to the outdoors with as few turns as possible. Single or independent dryer venting is recommended.

The dryer comes with a 20-inch diameter exhaust duct connection. The plant's exhaust duct **must** be at least 20-inches (50.8 cm) in diameter or for a rectangular duct have a cross-sectional area of 315 square inches (2,032 sq.cm.). The duct work from the dryer to the outside exhaust outlet **should not** exceed thirty (30) feet. The shape of the duct work is not critical so long as the minimum cross-sectional area is provided. It is suggested that the use of 90° turns **be avoided**; use 45° angles instead. The radius of the elbows should preferably be 1-1/2 times the width or diameter of the duct. Excluding tumbler/dryer elbow connections or elbows used for outside protection from the weather, no more than two (2) elbows **should** be used in the exhaust duct run. If more than two (2) elbows are used, the cross sectional area of the duct work **must** be increased.

**ALL** duct work should be smooth inside with no projections from sheet metal screws or other obstructions which will collect lint. When adding ducts, the duct to be added should overlap the duct to which it is to be connected. **ALL** duct work joints must be taped to prevent moisture and lint from escaping into the building. Inspection door should be installed at strategic points in the exhaust duct work for periodic inspection and clean-out of lint from the duct work.

**IMPORTANT:** Exhaust back pressure measured by a manometer in the exhaust duct should not exceed 0.3 inches of water column.

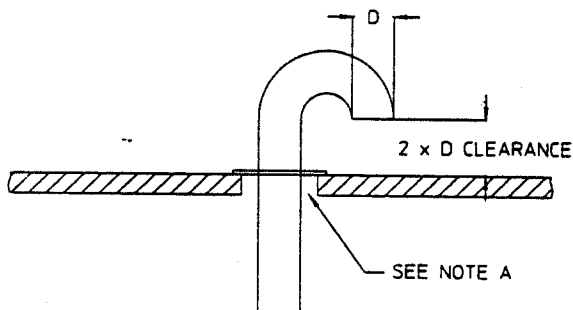
**NOTE:** Where the exhaust duct work passes through a wall, ceiling, or roof made of combustible materials, the opening must be 2-inches larger (all the way around) than the duct. The duct must be centered within this opening.

a. Outside Duct Work Protection

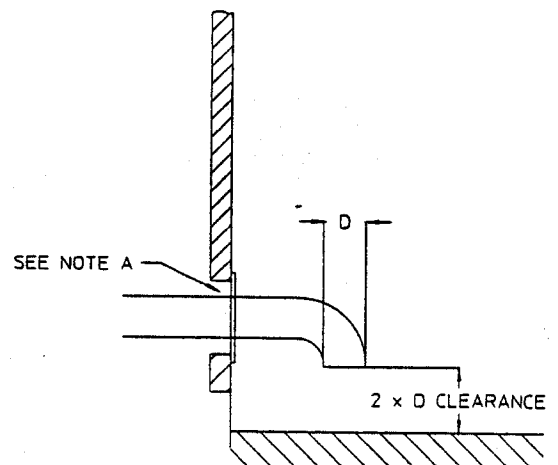
- 1) To protect the outside end of horizontal duct work from the weather, a 90° elbow bent downward should be installed where the exhaust exits the building. If the duct work travels vertically up through the roof, it should be protected from the weather by using a 180° turn to point the opening downward. In either case, allow at least twice the diameter of the duct between the duct opening and the nearest obstruction.

**IMPORTANT:** DO NOT use screens or caps on the outside of opening of exhaust duct work.

VERTICAL DUCTING



HORIZONTAL DUCTING



NOTE 'A': OPENING MUST BE TWO (2) INCHES LARGER THAN DUCT (ALL THE WAY AROUND). THE DUCT MUST BE CENTERED WITHIN THIS OPENING.

MAN0731

## 1. Single Dryer Venting

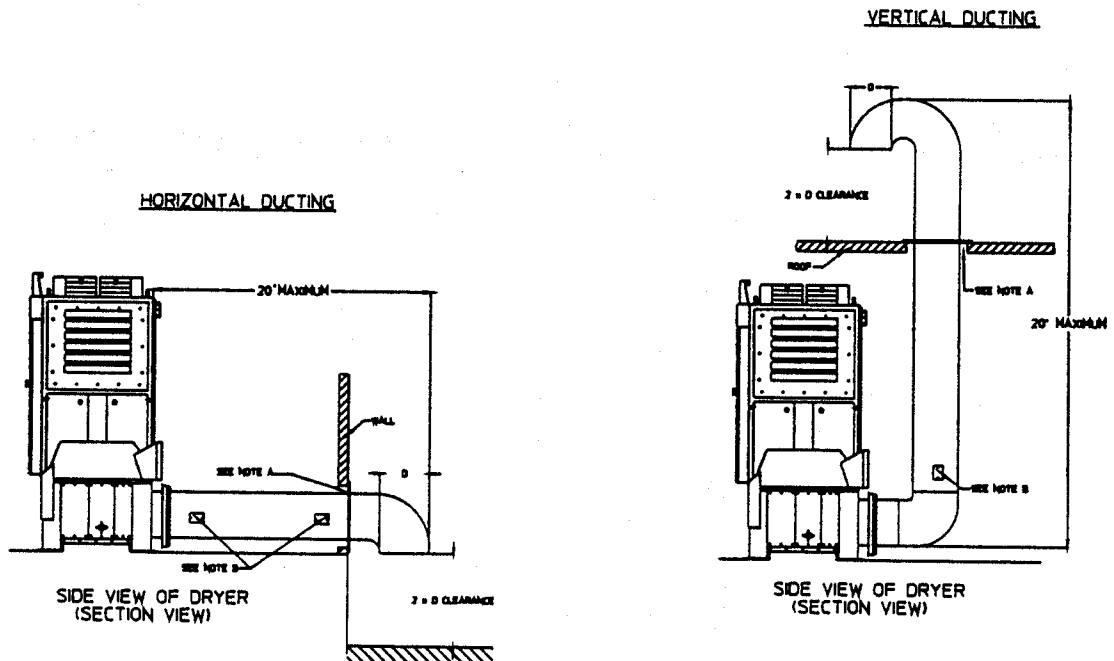
Where possible, it is suggested to provide a separate exhaust duct for each dryer. The exhaust duct **should** be laid out in such a way that the duct work travels as directly as possible to the outdoors with as few turns as possible. It is suggested that the use of 90° turns in the ducting be avoided; use 30° and/or 45° angles instead. The shape of the exhaust duct work is not critical so long as the minimum cross section area is provided.

**IMPORTANT:** Minimum duct size for the dryer is 20-inches for a round duct or 18" x 18" for a square duct. **The DUCT SIZE MUST NOT BE REDUCED ANYWHERE DOWN STREAM OF THE DRYER.**

**IMPORTANT:** Exhaust back pressure measured by a manometer at each basket (tumbler) exhaust duct area *should not* exceed 0.3 inches of water column.

It is suggested that the duct work from each dryer not exceed thirty (30) feet with no more than two (2) elbows (excluding dryer connections and outside exhaust outlets). If the duct work exceeds fifteen (30) feet or has numerous elbows, the cross section area of the duct work **must** be increased in proportion to the length and number of elbows in it. In calculating duct size, the cross section area of a square or rectangular duct **must** be increased by twenty (20) percent for each additional twenty (20) feet. The diameter of a round exhaust duct should be increased ten (10) percent for each additional fifteen (15) feet. Each 90° elbow is equivalent to an additional forty five (45) feet, and each 45° elbow is equivalent to an additional twenty three (23) feet.

### SINGLE DRYER VENTING



NOTE: "A"- OPENING MUST BE TWO (2) INCHES LARGER THAN DUCT (ALL THE WAY AROUND). THE DUCT MUST BE CENTERED WITHIN THIS OPENING.  
"B"- INSPECTION DOORS SHOULD BE INSTALLED AT STRATEGIC POINTS FOR PERIODIC INSPECTION AND CLEANING

MAN2621

**IMPORTANT:** For extended duct work runs, the cross section area of the duct work can only be increased to an extent. Maximum proportional duct work runs **cannot** exceed twenty (20) feet more than the original limitations of thirty (30) feet with two (2) elbows. When the duct work approaches the maximum limits noted in this manual, a professional heating venting air conditioning (HVAC) firm **should be** consulted for proper venting information.

**ALL** duct work **should be** smooth inside with no projections from sheet metal screws or other obstructions which will collect lint. When adding ducts, the duct to be added should overlap the duct to which it is to be connected. **ALL** duct work joints **must be** taped to prevent moisture and lint from escaping into the building. Inspection doors **should be** installed at strategic points in the exhaust duct work for periodic inspection and clean-out of lint from the duct work.

**NOTE:** Where the exhaust duct passes through a wall, ceiling, or roof made of combustible materials, the opening **must be** 2-inches larger (all the way around) than the duct. The duct **must be** centered within this opening.

a. Outside Duct Work Protection

- 1) To protect the outside end of horizontal duct work from the weather, a 90° elbow bent downward **should be** installed where the exhaust exits the building. If the duct work travels vertically up through the roof, it **should be** protected from the weather by using a 180° turn to point the opening downward. In either case, allow at least twice the diameter of the duct between the duct opening and the nearest obstruction.

**IMPORTANT:** DO NOT use screens or caps on the outside of opening of exhaust duct work.

2. Multiple Dryer (common) Venting

If it is not feasible to provide separate exhaust ducts for each dryer, ducts from individual dryers may be channeled into a "common main duct." The individual ducts should enter the bottom or side of the main duct at an angle not more than 45° in the direction of air flow and should be spaced at least 94 inches apart. The main duct **should be** tapered, with the diameter increasing before each individual duct (20-inch minimum) is added.

**IMPORTANT:** The AD-200 is not provided with a back draft damper. When exhausted into a multiple (common) exhaust line, a back draft damper **must be** installed at each dryer duct.

**IMPORTANT:** No more than three (3) dryers **should be** connected to main common duct.

The main duct may be any shape so long as the minimum cross section is provided. The illustration on page 36 shows the minimum cross section area for multiple dryer round or square venting. These figures **must be** increased 10 square inches when rectangular main ducting is used, and the ratio of duct width to depth **should not** be greater than 3-1/2 to 1. These figures **must be** increased in proportion if the main duct run from the last dryer to where it exhausts to the outdoors is unusually long (over thirty [30] feet) or has numerous (more than two [2] elbows in it). In calculating duct work size, the cross section area of a square or rectangular duct **must be** increased twenty (20) percent for each additional twenty (20) feet. The diameter of a round exhaust **must be** increased ten (10) percent for each additional fifteen (15) feet. Each 90° elbow is equivalent to an additional forty five (45) feet and each 45° elbow is equivalent to an additional twenty three (23) feet.

**IMPORTANT:** For extended duct work runs, the cross section area of the duct work can only be increased to an extent. Maximum proportional duct work runs cannot exceed fifteen (15) feet with two (2) elbows. When the duct work approaches the maximum limits as noted in this manual, a professional HVAC firm should be consulted for proper venting HVAC from **should be** consulted for proper venting information.

**IMPORTANT:** Exhaust back pressure measured by a manometer at each dryer exhaust duct area **should not** exceed 0.3 inches of water column.

The duct work should be smooth inside with no projections from sheet metal screws or other obstructions which will collect lint. When adding ducts, the duct to be added should overlap the duct to which it is to be connected. **ALL** duct work joints **must be** taped to prevent moisture and lint from escaping into the building. Inspection doors should be installed at strategic points in the exhaust duct work for periodic inspection and clean-out of lint from the duct work.

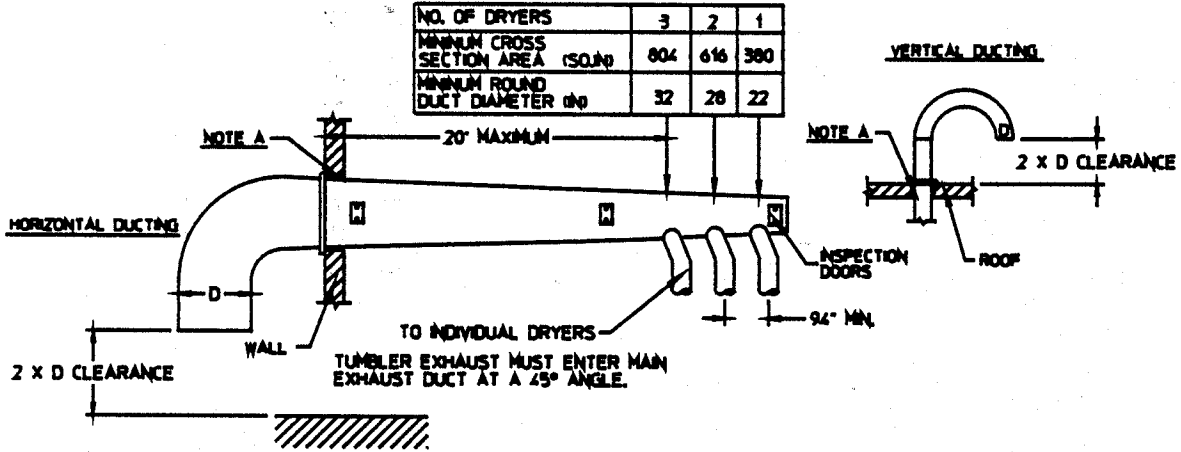
**NOTE:** Where the exhaust passes through a wall, ceiling, or roof made of combustible materials, the opening must be 2-inches larger (all the way around) than the duct. The duct must be centered within this opening.

a. Outside Duct Work Protection

- 1) To protect the outside end of horizontal duct work from the weather, a 90° elbow turned downward **should be** installed where the exhaust exits the building. If the duct work travels vertically up through the roof, it **should be** protected from the weather by using a 180° turn to point the opening downward. In either case, allow at least twice the diameter of the duct between the duct opening and the nearest obstruction.

**IMPORTANT:** **DO NOT** use screens or caps on the outside of opening of exhaust duct work.

**MULTIPLE DRYER VENTING (GAS MODELS)  
WITH 20" DIAMETER (5300 CFM) EXHAUST CONNECTIONS AT COMMON DUCT**



**IMPORTANT: NO MORE THAN 3 DRYERS CAN  
BE CONNECTED TO ONE COMMON DUCT ( VENT ).**

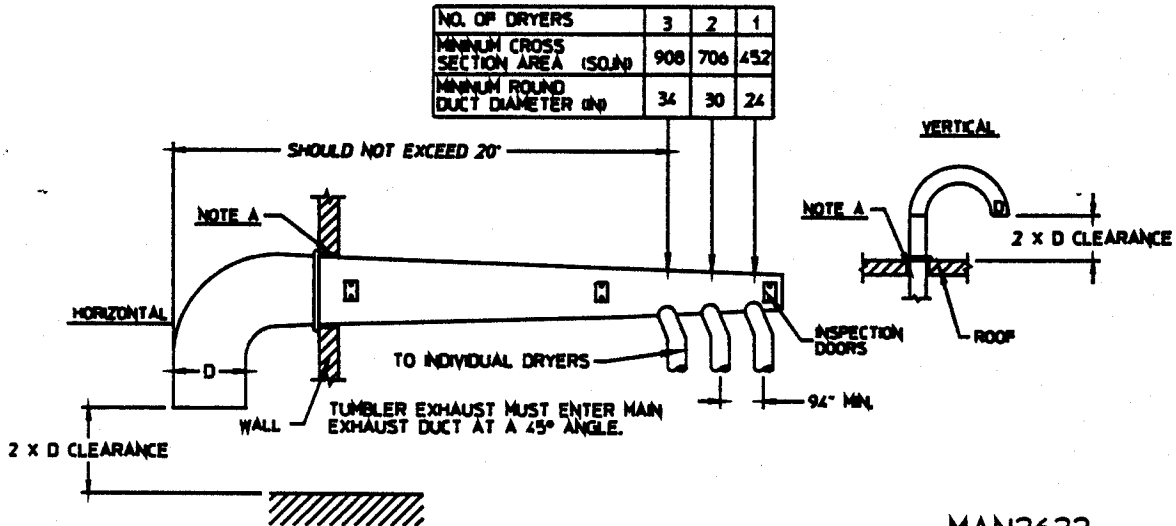
**FORMULAS TO CALCULATE DUCTING CROSS SECTIONAL AREA**

CROSS SECTIONAL AREA OF A ROUND DUCT =  $.785 \times D^2$  WHERE D = DIAMETER OF THE DUCT.

CROSS SECTIONAL AREA OF A RECTANGULAR DUCT =  $W \times H$  WHERE W = WIDTH AND H = HEIGHT.

NOTE A: OPENING MUST BE TWO (2) INCHES LARGER THAN DUCT (ALL THE WAY AROUND). THE DUCT MUST BE CENTERED WITHIN THIS OPENING.

**MULTIPLE DRYER VENTING (STEAM MODELS)  
WITH 20" DIAMETER (6500 CFM) EXHAUST CONNECTIONS AT COMMON DUCT**



MAN2622

**IMPORTANT: NO MORE THAN 3 DRYERS CAN  
BE CONNECTED TO ONE COMMON DUCT ( VENT ).**



## E. COMPRESSED AIR SUPPLY SYSTEM

The compressed air system of the AD-200 Tilting dryer consists of a number of pneumatic pistons located throughout the dryer. The pistons are actuated by solenoid and flow control valves that are under computer control. The pneumatic pistons are used to:

- Tilt the Dryer For Loading and Unloading.
- Open and Close The Load and Unload Doors (for AD-200 dryer models equipped with Automatic Doors).
- Operate The Steam Coil Damper (for ADS-200 Steam Heated Models ONLY).

### 1. Filter/Lubricator/Regulator/Gauge Assembly

The compressed air supply to the dryer is connected into the 3/8" F.P.T. fitting of the filter/lubricator/regulator/ gauge (F/L/R/G) assembly which is located at the bottom rear of the right side of the base.

The F/L/R/G assembly performs three (3) essential functions. The filter removes most solids and liquid particles from the compressed air stream and traps them in its bowl where this waste can be readily removed through the drain valve at the bottom of the bowl.

The filter bowl should be cleaned monthly.

The lubricator injects a mist of oil into the compressed air stream so that the pistons and solenoid valves will function smoothly.

The oiling rate can be adjusted by turning the oil adjustment screw on top of the lubricator.

Oil is added to the bowl through the large fill port located on top of the lubricator. Oil can be added *without* turning off the air pressure to the dryer.

The lubricator bowl should be refilled on a monthly basis with any petroleum-based, non-detergent lightweight oil (SAE 10/150SSU) which will readily break up into mist. **DO NOT** use synthetic oil or oils containing additives or solvents.

- The regulator will maintain a nearly constant outlet air pressure so that the dryer's air pistons will function normally despite upstream air pressure variations. After the compressed air is connected into the F/L/R/G assembly, adjust the regulator knob so that the gauge needle reads 80 psi.

### 2. Tilting-Piston Solenoid Valves

A two-way-tilt dryer has two (2) of these solenoid valves...one to control the front set of tilting pistons and a second to control the rear set of tilting pistons. A one-way-tilt dryer has only one (1) solenoid valve.

Each valve has five (5) 3/8" F.P.T. ports and two (2) electric solenoid operators, one on each side of the valve.

To tilt the dryer forward, a 24 volt signal is applied to the rear pistons solenoid connector "12" and no voltage is applied to the solenoid connector "14." The internal spool in the valve will move and 80 psi of air will enter the bottom port of the rear tilting pistons, extending the rear tilting piston rods and tilting the dryer forward for unloading. The top piston ports are bled to the atmosphere.

To level the dryer, the voltage signals are reversed. No voltage is applied to the "12" solenoid, and 24 volts is applied to the "14" solenoid. The valve spool will now move so that 80 psi of air is applied at the top piston ports, while the bottom piston ports are bled to the atmosphere. The piston rod will now retract, leveling the dryer. On rear tilt dryers, the front tilting piston solenoid valve acts in the same manner.

The tilting piston valves are 5 port/3 piston valves. If no voltage is applied to both the "12" and "14" solenoids, all five (5) valve ports are blocked. This means that, if the dryer is tilting or leveling and power to the dryer is shut off, the pistons will lock in position, holding the dryer in a partially tilted position.

The dryer can be made to tilt faster or slower by adjusting the tilting pistons 3/8" flow control valves which are located on the pneumatic control panel.

The tilting piston valves and flow control valves are located on the pneumatic plate in the rear of the dryers' base.

### 3. Internal/External Pilot Air Supply

On two-way-tilt dryers, a pneumatic safety circuit is incorporated to prevent both front and rear tilting pistons from extending their rods at the same time. When 24 volts is supplied to the "12" side of the front tilting piston solenoid valve coil, the round internal spool in the core of the solenoid will move, allowing 80 psi air to flow into the bottom ports of the front tilting pistons, while the top ports are bled to the atmosphere. In addition to this 24 volt electrical signal, the spool also requires a 30 psi supply of compressed air to change its position. This pilot air can either be supplied internally, tapped off the 80 psi air supply connected to port no. 1 through holes in the body of the solenoid valve or it can be supplied externally through the 1/8" F.P.T. connection located on either end of the solenoid valve. If no pilot air is supplied to the solenoid valve, then the spool *cannot* move, even with voltage supplied to the solenoid valve.

This can be used to prevent both sets of tilting pistons from extending their rods at the same time. When the front tilting piston rods are extended, 80 psi air is connected to the bottom piston ports, while the top piston ports are bled to the atmosphere. So, by tapping the external pilot air supply to the rear tilting piston solenoid valve off the air line to the front tilting piston top port, whenever the front tilting piston rods are extended, then there is no pilot pressure available to the rear tilting piston solenoid valve so that its spool *cannot* move and the rear tilting piston rods *cannot* extend even if a 24 volt signal is sent to its "12" side solenoid valve coil.

The external pilot air supply to the front tilting piston is tapped off the rear tilting piston top port air line so that whenever the rear piston rods are extended, there is no pilot air supplied to the front tilting piston solenoid valve and the front tilting piston rods *cannot* extend. On the solenoid valve supplied on the dryer, the "12" side valve is externally piloted, while the "14" side valve is internally piloted.

A valve can easily be checked for internal or external piloting by removing the two (2) screws which hold the solenoid operator onto the valve. For an internal pilot, the "o" ring should be positioned over the internal pilot supply port. This allows internal pilot air to be supplied to the valve spool. For external pilot, the solid sealing disc must be positioned on top of the internal port.

#### 4. OPTIONAL Automatic (Piston Operated) Load/Unload Doors

If the dryer is equipped with the Automatic Door *OPTION* then the loading doors are operated by two (2) pneumatic pistons located above the load doors. On two (2) door dryers, the unloading doors on the back of the dryer will also be controlled by two (2) pistons, located above the unload doors.

The 24 volt solenoid valve operators controlling the door pistons are located on the pneumatic plate in the rear of the dryers' base. These solenoid valves are configured so that if power to the dryer is shut off, the door pistons ports are bled to the atmosphere so that the doors can be opened and closed by hand.

#### 5. OPTIONAL Sprinkler Valve

The sprinkler water flow is controlled by a pneumatically operated water valve, which is located in the left side of the base. This water valve is controlled by a 3 port/2 position, 24 volt - double solenoid valve which is located at the top of the dryers' pneumatic plate. If no voltage is applied to both solenoids then all three (3) ports are blocked. This means that if the sprinkler is activated and power to the dryer then is shut off, the sprinkler will stay on, until the manual water valve is closed or until the dryers' internal temperature drops below the sprinkler set point temperature and the sprinkler reset button is physically pushed.

## F. ELECTRICAL INFORMATION

### 1. Electrical Requirements

It is your responsibility to have **ALL** electrical connections made by a properly licensed and competent electrician to assure that the electrical installation is adequate and conforms with local and state regulations or codes. In the absence of such codes, **ALL** electric connections, materials, and workmanship **must conform** to the applicable requirements of the National Electrical Code ANSI/NFPA NO. 70-LATEST EDITION.

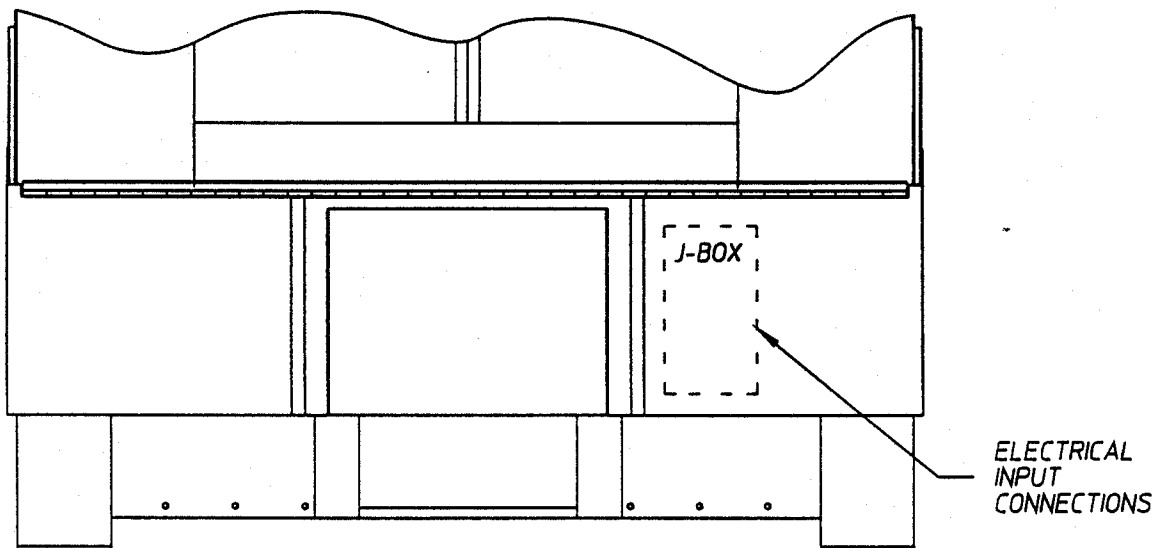
**IMPORTANT:** Failure to comply with these codes or ordinances, and/or the requirements stipulated in this manual can result in personal injury or component failure.

**NOTE:** Component failure due to improper installation VOIDS THE WARRANTY.

Each dryer **should be** connected to an independently protected branch circuit. The dryer **must be** connected with copper wire **ONLY**. **DO NOT use aluminum wire which could cause a fire hazard.** The copper conductor wire/cable **must be** of proper ampacity and insulation in accordance with electric codes for making **ALL** service connects.

**NOTE:** The use of aluminum wire will VOID THE WARRANTY.

The electrical input power connections are made into the junction box located in the right front portion of the dryer's base.



FRONT VIEW OF  
AD - 200 BASE

MAN2623

## 2. Electrical Service Specifications

### ADG-200 with Tilting Options 7.5 Hp Blower/3 Hp Drive Motor

**IMPORTANT:** 208 VAC and 230/240 VAC **ARE NOT THE SAME**. When ordering, specify exact voltage.

- NOTE:**
- A. Fuse ratings are dual-element time-delay current limiting, class RK1 or RK5 ONLY.
  - B. Circuit Breakers are thermal magnetic (industrial) Type ONLY. For others, calculate/verify correct breaker size according to appliance amp draw rating and type of breaker used.
  - C. Circuit breakers for 3Ø dryers must be 3-pole type.

SERVICE VOLTAGE	PHASE	WIRE SERVICE	APPROX. AMP DRAW		MINIMUM WIRE SIZE*	FUSING	CIRCUIT BREAKER
			60 Hz	50 Hz		Dual Element Time Delay	
208	3Ø	3/4	36	--	8	50	80
230	3Ø	3	34	--	8	50	70
380	3Ø	3/4	--	18	10	30	40
416	3Ø	3/4	--	17	10	25	35
460	3Ø	3/4	16	--	12	25	35

\* AWG Stranded Type Wire...for individual lengths not longer than 100 feet.

**IMPORTANT:** The dryer must be connected to the electric supply shown on the data label that is affixed to the back of the dryer, at the upper right hand corner. In the case of 208 VAC or 230/240 VAC, the supply voltage *must match* the electric service specifications of the data label exactly.

**WARNING:** 208 VAC and 230/240 VAC **ARE NOT THE SAME**. Any damage done to dryer components due to improper voltage connections will automatically **VOID THE WARRANTY**.

**NOTE:** ADC reserves the right to make changes in specifications at any time, without notice or obligation.

## ADS-200 with Tilting Options

### 15 Hp Blower/3 Hp Drive Motor

**IMPORTANT:** 208 VAC and 230/240 VAC ARE NOT THE SAME. When ordering, specify exact voltage.

- NOTE:**
- A. Fuse ratings are dual-element time-delay current limiting, class RK1 or RK5 ONLY.
  - B. Circuit Breakers are thermal magnetic (industrial) Type ONLY. For others, calculate/verify correct breaker size according to appliance amp draw rating and type of breaker used.
  - C. Circuit breakers for 3Ø dryers must be 3-pole type.

SERVICE VOLTAGE	PHASE	WIRE SERVICE	APPROX. AMP DRAW		MINIMUM WIRE SIZE*	FUSING	CIRCUIT BREAKER
			60 Hz	50 Hz		Dual Element Time Delay	
208	3Ø	3/4	52	--	6	80	90
230	3Ø	3	48	--	6	60	90
380	3Ø	3/4	--	29	8	50	60
416	3Ø	3/4	--	27	8	40	60
460	3Ø	3/4	25	--	8	40	50

\* AWG Stranded Type Wire...for individual lengths not longer than 100 feet.

**IMPORTANT:** The dryer must be connected to the electric supply shown on the data label that is affixed to the back of the dryer, at the upper right hand corner. In the case of 208 VAC or 230/240 VAC, the supply voltage *must match* the electric service specifications of the data label exactly.

**WARNING:** 208 VAC and 230/240 VAC ARE NOT THE SAME. Any damage done to dryer components due to improper voltage connections will automatically VOID THE WARRANTY.

**NOTE:** ADC reserves the right to make changes in specifications at any time, without notice or obligation.

### 3. Electrical Connections

**NOTE:** A wiring diagram is included with each dryer and is located in the blueprint pocket inside the left side control cabinet.

The main electrical input connections to the dryer are the 3-phase (3 $\phi$ ) power leads (L1, L2, and L3), GROUND, and in the case of 4 wire service, the Neutral. These electrical connections are made at the power distribution block located in the base front electrical enclosure.

If the dryer has an optional sprinkler circuit then a separate single-phase (1 $\phi$ ) source must be supplied the the sprinkler circuit at the name plate voltage. These connections are made at the power distribution block located in the base front electrical enclosure.

The main electrical (3-phase [3 $\phi$ ]) connections (L1, L2, and L3) and the optional (single-phase [1 $\phi$ ]) connection must be provided and installed in accordance with state and local codes. In the absence of these codes, grounding must conform to applicable requirements of the National Electric Code ANSI/NFPA NO. 70-LATEST EDITION. In ALL cases, a strain relief must be used where the wire(s) enter the dryer electrical service (relay) box.

**NOTE: A CIRCUIT SERVING EACH DRYER MUST BE PROVIDED.**

### 4. Main Grounding

Grounding (earth) connections must be provided and installed in accordance with state and local codes. In the absence of these codes, grounding must conform to applicable requirements of the National Electric Code ANSI/NFPA NO. 70-LATEST EDITION. The ground connection may be to a proven earth ground at the location service panel.

**NOTE:** A grounding connection (terminal lug) is provided in the dryer at the left side control cabinet.

For added personal safety, when possible, it is suggested that a separate ground wire (sized per local codes) be connected from the ground connection of the dryer to a cold water pipe. **DO NOT** ground to a gas or hot water pipe. The grounded cold water pipe must have metal to metal connections all the way to electrical ground. If there are any nonmetallic interruptions, such as a meter, pump, plastic, rubber, or other insulating connectors, they must be jumped out with no. 4 copper wire and securely clamped to bare metal at both ends.

**IMPORTANT:** For personal safety and proper operation, the dryer must be grounded. For proper operation of the microprocessor (computer), an earth (zero) ground is required.

**NOTE:** Grounding via metallic electrical conduit (pipe) is not recommended.

## G. GAS INFORMATION

It is your responsibility to have **ALL** plumbing connections made by a qualified professional to assure that the gas plumbing installation is adequate and conforms with local and state regulations or codes. In the absence of such codes, **ALL** plumbing connections, materials, and workmanship **must conform** to the applicable requirements of the National Fuel Gas Code ANSI Z223.1-LATEST EDITION.

**IMPORTANT:** Failure to comply with these codes or ordinances, and / or the requirements stipulated in this manual, can result in personal injury and improper operation of the dryer.

The dryer and its individual shut-off valves **must be disconnected** from the gas supply piping system during any pressure testing of that system at test pressures in excess of 1/2 psig (3.5 kPa). The dryer **must be isolated** from the gas supply piping system by closing its individual manual shut-off valve during any pressure test of the gas supply system at test pressures equal to or less than 1/2 psig (3.5 kPa).

**IMPORTANT:** Failure to isolate or disconnect dryer from supply as noted can cause irreparable damage to the gas valve VOIDING THE WARRANTY.

**WARNING: FIRE or EXPLOSION COULD RESULT.**

### 1. Gas Supply

The gas dryer installation **must meet** the American National Standard...National Fuel Gas Code ANSI Z223.1-LATEST EDITION, as well as local codes and ordinances and **must be done** by a qualified professional.

**NOTE:** Undersized gas piping will result in ignition problems, slow drying, increased use of energy, and can create a safety hazard.

The dryer **must be connected** to the type of heat / gas indicated on the dryer label affixed behind the right control box door. If this information does not agree with the type of gas available, **DO NOT operate the dryer**. Contact the distributor who sold the dryer or the ADC factory.

**IMPORTANT:** Any burner changes or conversions **must be made by a qualified professional**.

The input ratings shown on the dryer data label are for elevations up to 2,000 feet, unless elevation requirements of over 2,000 feet were specified at the time the dryer order was placed with the factory. The adjustment or conversion of dryers in the field for elevations over 2,000 feet are made by changing each burner orifice. If this conversion is necessary, contact the distributor who sold the dryer or contact the ADC factory.



### 3. Piping/Connections

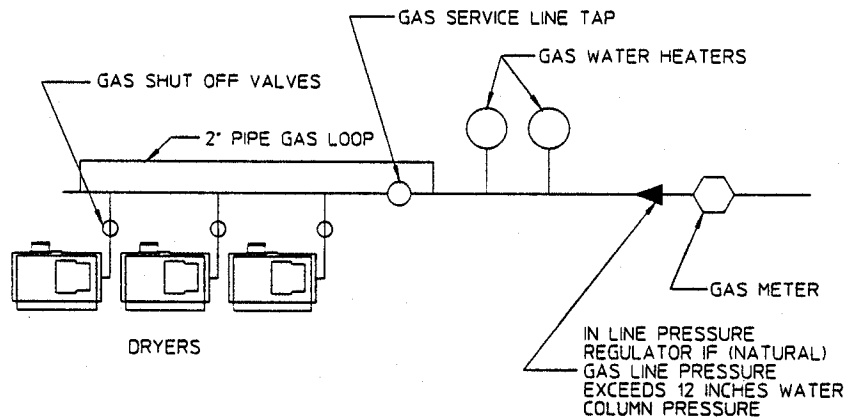
**ALL** components/materials must conform to National Fuel Gas Code specifications. It is important that gas pressure regulators meet applicable pressure requirements and that gas meters be rated for the total amount of **ALL** the appliance BTU's being supplied.

The dryer is provided with a 1-1/4" N.P.T. inlet pipe connection located at the right side of the base of the dryer. The minimum pipe size (supply line) to the dryer is 1-1/2" N.P.T. For ease of servicing, the gas supply line of each dryer must have its own shut-off valve.

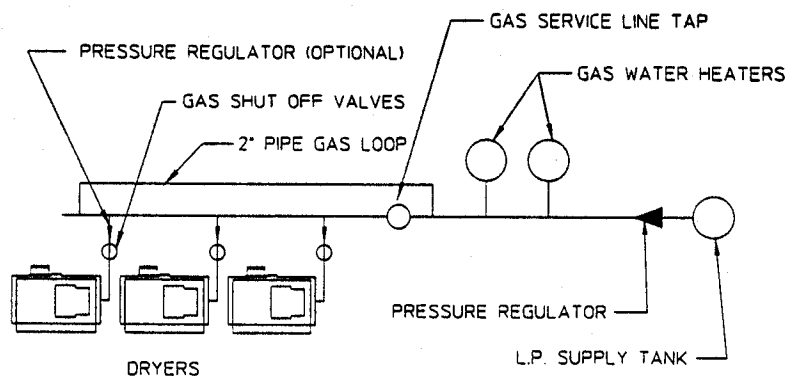
The size of the main gas supply line (header) will vary depending on the distance this line travels from the gas meter or, in the case of L.P. (liquid propane) gas, the supply tank, other gas-operated appliances on the same line, etc. Specific information regarding supply line size should be determined by the gas supplier.

**NOTE: Undersized gas supply piping can create a low or inconsistent pressure which will result in erratic operation of the burner ignition system.**

TYPICAL NATURAL GAS INSTALLATION



TYPICAL L.P. GAS INSTALLATION



MAN2226

Consistent gas pressure is essential at ALL gas connections. It is recommended that a 2-inch pipe gas loop be installed in the supply line serving a bank of dryers. An in-line pressure regulator **must be** installed in the gas supply line (header) if the (natural) gas pressure exceeds 12.0 inches of water column pressure.

**NOTE:** A water column test pressure of 4.0 inches for natural gas and 11.0 inches for L.P. (liquid propane) dryers is required at the gas valve pressure tap of each dryer for proper and safe operation.

A 1/8" N.P.T. plugged tap, accessible for a test gauge connection, **must be** installed in the main gas supply line immediately upstream of each dryer.

**IMPORTANT:** Pipe joint compounds that resist the action of natural gas and L.P. gas **must be** used.

**IMPORTANT:** Test ALL connections for leaks by brushing on a soapy water solution (liquid detergent works well).

**WARNING: NEVER TEST FOR LEAKS WITH A FLAME!!!**

ALL components/ materials **must conform** to National Fuel Gas Code specifications. It is important that gas pressure regulators meet applicable pressure requirements and that gas meters be rated for the total amount of ALL the appliance BTU's being supplied.

**IMPORTANT:** The dryer and its individual shut-off valve **must be** disconnected from the gas supply piping system during any pressure testing of that system at test pressures in excess of 1/2 psig (3.5 kPa).

**NOTE:** The dryer **must be** isolated from the gas supply piping system by closing its individual manual shut-off valve during any pressure test of the gas supply system at test pressures equal to or less than 1/2 psig (3.5 kPa).

## H. STEAM INFORMATION

It is your responsibility to have ALL plumbing connections made by a qualified professional to assure that the gas plumbing installation is adequate and conforms with local and state regulations or codes.

**IMPORTANT:** Failure to comply with the requirements stipulated in this manual can result in component failure which will VOID THE WARRANTY.

**NOTE:** The ADS-200 is manufactured with a pneumatic (piston) damper system which requires an external supply of air (80 PSI +/- 10 PSI).

### 1. Steam Requirements - High Pressure

Inlet ----- 1-1/2" supply line connection

Return --- 3/4" return line connection

Operating Steam Pressure -- High Pressure		
Maximum	125 psig	8.79 kg/sq cm
Minimum	100 psig	7.03 kg/sq cm
Heat Input (Normal Load)	27 Bph	
Consumption (approximate)	890 lbs/hr	404.5 kg/hr

*Shaded areas are in metric equivalents.*

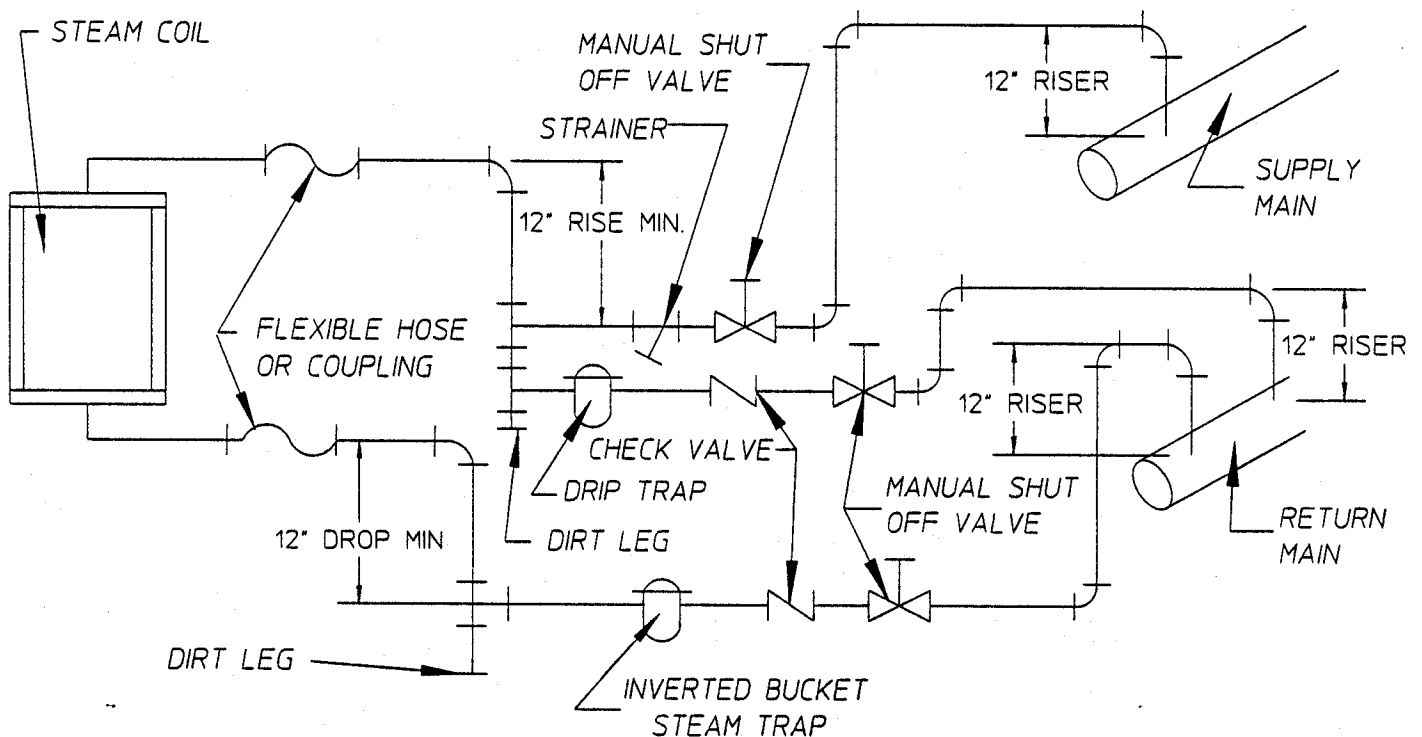
### 2. Installation Instructions

To insure an adequate supply of steam is provided, be sure that the steam lines and steam return lines are sized and laid out as stipulated in this manual. Inadequate steam lines and steam return lines or improper steam plumbing will result in poor performance and can cause component failure. Clean, dry steam must be provided to the dryer.

**IMPORTANT:** Steam coil failure due to water hammer by wet steam will VOID THE WARRANTY.

- a. The pressure of the condensate in the steam supply will cause water hammer and subsequent heat exchanger (steam coil failure). The steam supply connection into the main supply line **must be** made with a minimum 10-inch riser. This will prevent any condensate from draining towards the dryer.
- b. The steam supply piping to the dryer **must include** a 12-inch rise along with a drip trap and check valve. This will prevent any condensate from entering the steam coil.
- c. Flexible hoses or couplings **must be** used. The dryer vibrates slightly when it runs and this will cause the steam coil connections to crack if they are hard piped to the supply and return mains.

- d. Shut-off valves for each dryer should be installed in the supply line, return line, and drip trap return line. This will allow the dryer to be isolated from the supply main and the return main if the dryer needs maintenance work.
- e. Install an inverted bucket steam trap and check valve at least 12-inches below the steam coil as close to the coil as possible.
- f. The supply line and the return line should be insulated. This will save energy and provide for the safety of the operator and maintenance personnel.
- g. Water pockets in the supply line, caused by low points, will provide wet steam to the coil possibly causing steam coil damage. **ALL** horizontal runs of steam supply piping should be pitched 1/4-inch for every one (1) foot back towards the steam supply header causing the condensate in the line to drain to the header. Install a bypass trap in any low point to eliminate wet steam.



MAN2342

## STEAM DAMPER SYSTEM

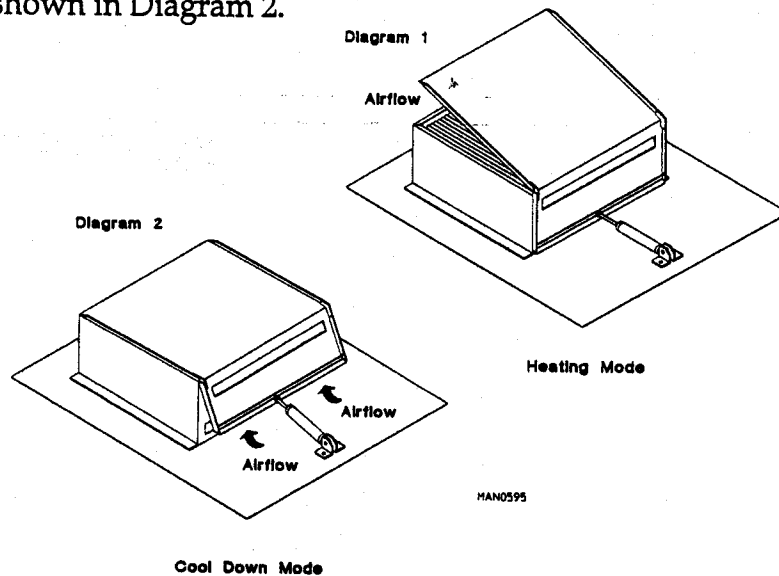
### 3. Steam Damper System Operation

The ADS-200 steam damper shown in the top illustration below, allows the coil to stay constantly charged eliminating repeated expansion and contraction. When the damper is opened, the air immediately passes through the already hot coil, providing instant heat to start the drying process. When the damper is closed, ambient air is drawn directly into the tumbler, allowing a rapid cool down.

Diagram 1 shows the damper in the heating (open) mode, allowing heat into the tumbler.

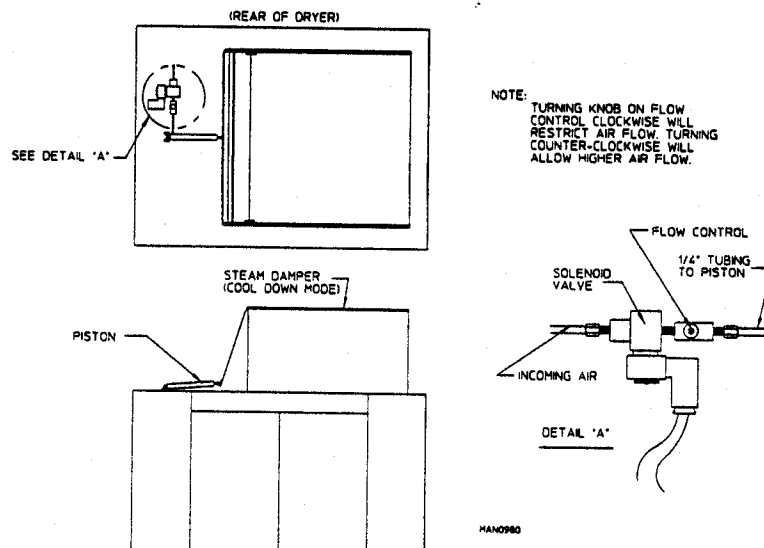
Diagram 2 shows the damper in the cool down (closed) mode, pulling ambient air directly into the tumbler without passing through the coils.

**NOTE:** With the dryer off or with no air supply, the steam damper is in the cool down mode as shown in Diagram 2.



### 4. Steam Damper Air Piston (Flow Control) Operation Adjustment

Steam damper operation was tested and adjusted prior to shipping at 80 PSI. If steam damper adjustment is necessary, locate the flow control valve and make the necessary adjustments as noted below.



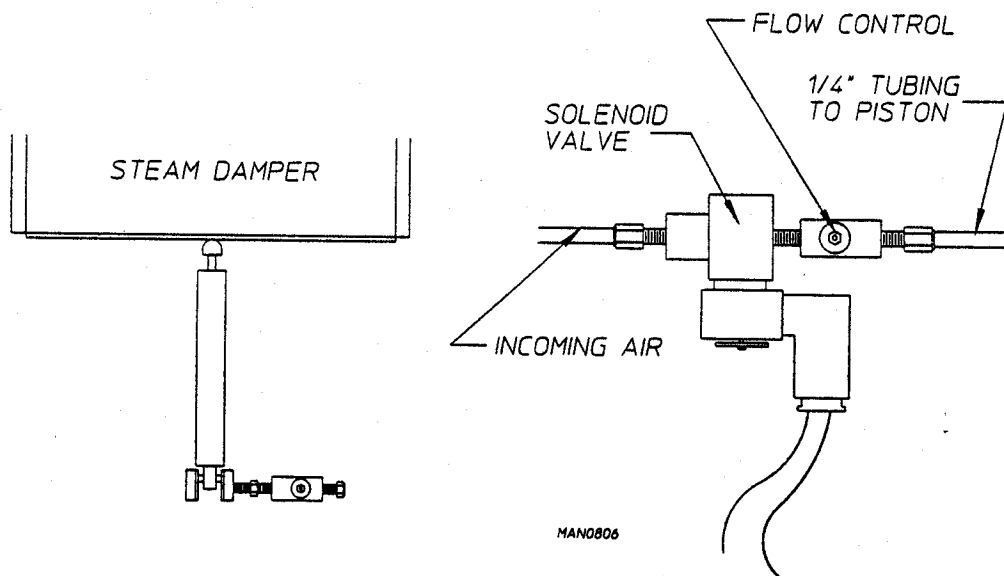
## I. STEAM DAMPER ACTUATOR SYSTEM

The system consists of a hinged damper plate, pneumatic piston, and a 24 volt solenoid valve with a needle valve to control the speed of the piston actuation.

On a call for heat, a 24 volt signal is applied to the 3-way/2-position solenoid valve. This signal switches the valve so that compressed air is sent to the piston. The piston rod extends, pushing the hinged steam damper plate to the open position. This allows room air to be drawn through the hot steam coil and then through the basket (tumbler).

When the temperature set point has been reached, the 24 volt signal is removed from the solenoid valve, so that the solenoid valve blocks the air supply to the piston, and the air in the piston is bled to the atmosphere. The spring in the piston now retracts the piston rod, closing the steam damper. The steam damper plate now covers the steam coil and allows room air to bypass the coil before entering the basket (tumbler) for a rapid cool down.

The steam damper plate should open and close slowly and smoothly. The speed can be modulated by adjusting the needle valve knob. Turning the knob clockwise (CW) restricts the compressed air flow and slows down the steam damper movement. Counterclockwise (CCW) adjustment speeds up the steam damper motion. Upon completion of adjustment, tighten the needle valve's locking nut.



## I. WATER SUPPLY CONNECTION FOR OPTIONAL SPRINKLER SYSTEM

If the dryer is equipped with the optional sprinkler system, a water supply of approximately 40 psi; must be connected into the 1" N.P.T. sprinkler shut-off valve located on the left side of the dryers base.

## K. PREPARATION FOR OPERATION/START-UP

The following items should be checked before attempting to operate the dryer:

1. Read ALL "CAUTION," "WARNING," and "DIRECTION" labels attached to the dryer.
2. Check incoming supply voltage to be sure that it is the same as indicated on the dryer data label affixed behind the right control box door. In the case of 208 VAC or 230/240 VAC, *THE SUPPLY VOLTAGE MUST MATCH THE ELECTRIC SERVICE EXACTLY.*
3. **GAS MODELS** - check to assure that the dryer is connected to the type of heat/gas indicated on the dryer data label.
4. **GAS MODELS** - the sail switch damper assembly was installed and adjusted at the factory prior to shipping. However, each sail switch adjustment must be checked to assure that this important safety control is functioning.
5. **GAS MODELS** - be sure that ALL gas shut-off valves are in the open position.
6. Be sure ALL side and base panels are on the dryer.
7. Check ALL service doors to assure that they are closed and secure.
8. Be sure the lint drawer is securely in place.

**NOTE:** Lint drawer **must be** all the way in place to activate the safety switch otherwise the dryer will not start.

9. Rotate the basket (tumbler/drum) by hand to be sure it moves freely.
10. Check bolts, nuts, screws, terminals, and fittings for security.
11. Check to insure air supply (80 PSI) is connected to the dryer.
12. **STEAM MODELS** - check to insure ALL steam shut-off valves are open.

## L. SHUT DOWN INSTRUCTIONS

If the dryer is to be shut down (taken out of service) for a period of time, the following **MUST BE** performed;

1. Discontinue power to the dryer either at the external disconnect switch or the circuit breaker.
2. Discontinue the heat supply:
  - a. *GAS MODELS* ... discontinue the gas supply.
    - 1) SHUT OFF external gas supply shut-off valve.
    - 2) SHUT OFF internal gas supply shut-off valve located in the gas valve burner area.
  - b. *STEAM MODELS* ... discontinue steam supply,
    - 1) SHUT OFF external (location furnished) shut-off valve.
    - 2) SHUT OFF internal steam valves in the supply lines and the return lines.



# SECTION IV

## SERVICE/PARTS INFORMATION

### A. SERVICE

1. Service **must** be performed by a qualified trained technician, service agency, or gas supplier. If service is required, contact the distributor from whom the ADC equipment was purchased. If the distributor cannot be contacted or is unknown, contact the ADC Service Department for a distributor in your area.

**NOTE:** When contacting the ADC Service Department, be sure to give them the correct model number and serial number so that your inquiry is handled in an expeditious manner.

### B. PARTS

1. Replacement parts **should** be purchased from the distributor from whom the ADC equipment was purchased. If the distributor cannot be contacted or is unknown, contact the ADC Parts Department for a distributor in your area. Parts may also be purchased directly from the factory by calling the ADC Parts Department at (508) 678-9010 or you may FAX in your order at (508) 678-9447.

**NOTE:** When ordering replacement parts from the ADC dealer or the ADC factory be sure to give them the correct model number and serial number so that your parts order can be processed in an expeditious manner.

# SECTION V

## WARRANTY INFORMATION

### A. RETURNING WARRANTY CARD(S)

1. Before any dryer leaves the ADC factory test area, a warranty card (ADC Part No. 112250) is placed in a plastic bag behind the left control door. These warranty cards are intended to serve the customer in two ways. First, when ADC receives the warranty card(s) back from a customer, we mail appropriate parts manual (at no charge) to the address indicated on the returned card. Second, we record the individual installation date and warranty information to better serve you should you file a warranty claim.
  - a. If a warranty card (ADC Part No. 112250) did not come with your dryer, contact the ADC Warranty Department or ADC Service Department at (508) 678-9000.

### B. PARTS

For a copy of the ADC commercial warranty covering your particular dryer(s), contact the ADC distributor from whom you purchased the equipment and request dryer warranty form ADC Part No. 450199. If the distributor cannot be contacted or is unknown, warranty information can be obtained from the factory by contacting the ADC Warranty Department at (508) 678-9000.

**NOTE:** Whenever contacting the ADC factory for warranty for warranty information, be sure to have the dryer's **model number** and **serial number** available so that your inquiry can be handled in an expeditious manner.

### C. RETURNING WARRANTY PARTS

**ALL** dryer or parts warranty claims or inquires should be addressed to the ADC Warranty Parts Department. To expedite processing, the following procedures must be followed:

1. No parts are to be returned to ADC without prior written authorization ("Return Material Authorization") from the factory.

**NOTE:** An R.M.A. ("Return Material Authorization") is valid for only sixty (60) days from date of issue.

- a. The R.M.A. issued by the factory, as well as any other correspondence pertaining to the returned part(s), must be included inside the package with the failed merchandise.

2. Each part must be tagged with the following information:
  - a. Model number and serial number of the dryer from which part was removed.
  - b. Nature of failure (be specific).
  - c. Date of dryer installation.
  - d. Date of part failure.
  - e. Specify whether the part(s) being returned is for a replacement, a credit, or a refund.

**NOTE:** If a part is marked for a credit or a refund, the invoice number covering the purchase of the replacement part must be provided.

**NOTE:** Warranty tags (ADC Part No. 450064) are available at "no charge" from ADC upon request.

3. The company returning the part(s) must clearly note the complete company name and address on the outside of the package.
4. ALL returns must be properly packaged to insure that they are not damaged in transit. *Damage claims are the responsibility of the shipper.*

**IMPORTANT:** No replacements, credits or refunds will be issued for merchandise damaged in transit.

5. ALL returns should be shipped to the ADC factory in such a manner that they are insured and a proof of delivery can be obtained by the sender.
6. Shipping charges are not the responsibility of ADC. ALL returns should be "prepaid" to the factory. Any "C.O.D. or "COLLECT" returns will not be accepted.

**IMPORTANT:** No replacements, credits, or refunds will be issued if the claim cannot be processed due to insufficient information. The party filing the claim will be notified in writing, either by "FAX" or "CERTIFIED MAIL - Return Receipt Requested," as to the information necessary to process claim. If reply is not received by the ADC Warranty Department within thirty (30) days from the FAX/letter date, then no replacement, credit, or refund will be issued, and the merchandise will be discarded.

# SECTION VI

## ROUTINE MAINTENANCE

### A. CLEANING

A program and/or schedule should be established for periodic inspection, cleaning, and removal of lint from various areas of the dryer, as well as throughout the duct work system. The frequency of cleaning can best be determined from experience at each location. Maximum operating efficiency is dependent upon proper air circulation. The accumulation of lint can restrict this air flow. If the guidelines in this section are met, an ADC dryer will provide many years of efficient, trouble-free, and - most importantly - safe operation.

**WARNING: LINT FROM MOST FABRICS IS HIGHLY COMBUSTIBLE. THE ACCUMULATION OF LINT CAN CREATE A POTENTIAL FIRE HAZARD.**

**WARNING: KEEP DRYER AREA CLEAR AND FREE FROM COMBUSTIBLE MATERIALS, GASOLINE, and OTHER FLAMMABLE VAPORS and LIQUIDS.**

**NOTE: Suggested time intervals shown are for average usage which is considered six (6) to eight (8) operational (running) hours per day.**

### SUGGESTED CLEANING SCHEDULE

#### *EVERY THIRD or FOURTH LOAD*

Clean the lint basket. A clogged lint basket will cause poor dryer performance. The lint basket is located in the lint drawer in the base of the dryer. Pull out the lint drawer, brush the lint off the lint basket, and remove the lint. Inspect lint screen and replace if torn.

**NOTE: The frequency of cleaning the lint screen can best be determined from experience at each location.**

#### *WEEKLY*

Open the hinged panels on each side of the tumbler section and remove any lint accumulation, from the tumbler drive motor, drive shafts, gear reducer, V-belts, drive wheels, and drive shaft bearings.

Slide the lint basket all the way out of the dryer and clean any lint accumulation off of the temperature sensor bracket, which is located above the lint basket.

**WARNING: TO AVOID THE HAZARD OF ELECTRICAL SHOCK, DISCONTINUE ELECTRICAL SUPPLY TO THE DRYER.**

## MONTHLY

Empty the compressed air filter bowl.

Add oil to the compressed air lubricator bowl. (Use petroleum based SAE 10/150 SSU Misting Oil.)

Apply a high-temperature grease to the four (4) 1-1/2" diameter tumbler drive shaft pillow block bearings. (Use Shell Alvania #3 grease or equivalent.)

Retighten set screws in the collars of the four (4) 1-1/2" diameter tumbler drive shaft bearings.

Clean lint accumulation from the gas valve/burner area at the top of the dryer, the fan (impellor) motor, and the fan (impellor) bearings located in the dryer base.

**NOTE:** To prevent damage, avoid cleaning and/or touching ignitor/flame-probe assembly.

## EVERY 6 MONTHS

Remove the gear oil in the tumbler drive shaft gear reducer. Replace with 1.4 liters of Mobil oil DTE HH5G (I.S.O. viscosity grade 460) or equivalent.

Grease the fan (impellor) motor in the base of the dryer with Chevron SR #1-2 grease or equivalent unless otherwise stamped on the motor label.

Check the fan (impellor) and drive motor V-belts for tightness and wear. Retighten and replace if required.

STEAM MODELS - clean the steam coil fins. We suggest using compressed air and a vacuum cleaner with brush attachment.

**NOTE:** When cleaning steam coil fins, be careful not to bend the fins. If fins are bent, straighten by using a fin comb which is available from local air-conditioning supply house.

Inspect and remove lint accumulation in customer furnished exhaust duct work system and from dryers internal exhaust ducting.

**NOTE: THE ACCUMULATION OF LINT IN THE EXHAUST DUCT WORK CAN CREATE A POTENTIAL FIRE HAZARD.**

**NOTE: DO NOT OBSTRUCT THE FLOW OF COMBUSTION and VENTILATION AIR. CHECK CUSTOMER FURNISHED BACK DRAFT DAMPERS IN THE EXHAUST DUCT WORK. INSPECT and REMOVE ANY LINT ACCUMULATION WHICH CAN CAUSE THE DAMPER TO BIND or STICK.**

**NOTE:** When cleaning the dryer cabinet(s), avoid using harsh abrasives. A product intended for the cleaning of appliances is recommended.

## B. ADJUSTMENTS

### *7 DAYS AFTER INSTALLATION and EVERY 6 MONTHS THEREAFTER*

Inspect bolts, nuts, screws, (bearing set screws), non-permanent gas connections (unions, shut-off valves, orifices, and grounding connections). Motor and drive belts **should be** examined. Cracked or seriously frayed belts **should be replaced**. Tighten loose V-belts when necessary. Complete operational check of controls and valves. Complete operational check of ALL safety devices (door switches, lint drawer switch, sail switch, burner and hi-limit thermostats).

### *30 DAYS AFTER INSTALLATION*

SHUT OFF ALL POWER TO THE DRYER. Verify that the electrical connections to the motor contactors and overloads are tight. This is done to accommodate the compression of the wires over time.

# SECTION VII

## COMPONENT SYSTEM DESCRIPTIONS

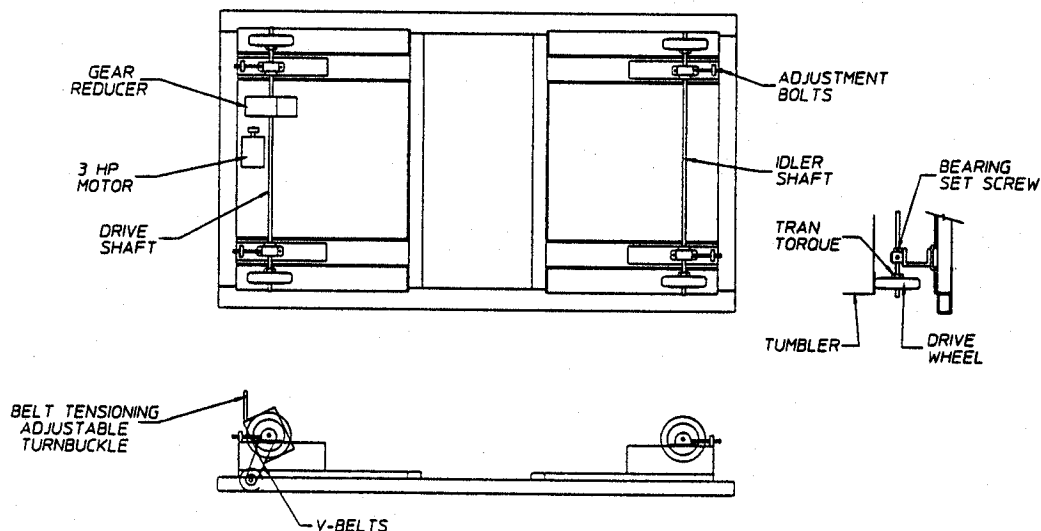
### A. TUMBLER DRIVE SYSTEM

The tumbler is supported and driven by four (4) 11-inch diameter drive wheels. Two (2) of these wheels are attached to a 1-1/2" diameter idler shaft, while the other two (2) are attached to a 1-1/2" diameter drive shaft. Each of the wheels is fastened to the shafts by a trantorque keyless locking bushing. The trantorque is made up of three (3) pieces; an inner collar, an outer sleeve, and a locking nut. The inner and outer elements have matching opposing tapers. As a result, when the nut is tightened, the trantorque contracts onto the shaft and expands into the drive wheel hub locking the wheel onto the shaft. No key is required.

The idler shaft and drive shaft are each supported by two (2) 1-1/2" diameter pillow block bearings. These bearings sit on slotted support channels and can be moved inward or outward by the adjustment bolts to raise or lower the tumbler.

The drive system consists of a shaft mounted gear reducer, two (2) V-belts, and a 3 HP drive motor. Belt tension can be adjusted by tightening or loosening the gear reducer turn buckle.

### AD - 200 TUMBLER DRIVE SYSTEM



MAN2248

#### WHEN REPLACING A DRIVE WHEEL:

1. ALWAYS CHANGE BOTH WHEELS ON A SHAFT.
2. MARK POSITION OF BEARINGS ON SUPPORTS. THIS WILL MAKE REASSEMBLY OF SHAFT AND CENTERING OF TUMBLER EASIER.
3. SHOVE BLOCKS OF WOOD UNDER TUMBLER TO TAKE IT'S WEIGHT OFF OF DRIVE WHEELS.
4. REMOVE BEARING HOLD DOWN BOLTS AND ADJUSTMENT BOLTS.
5. SLIDE COMPLETE SHAFT ASSEMBLY OUT OF SIDE OF DRYER.

## B. TUMBLER

The tumbler is made of 14-gauge stainless steel perforated panels, four (4) stainless steel ribs, and two (2) outer tumbler rings made of rolled steel angle iron that has been turned on a lathe for smoothness. The tumbler is a completely welded assembly so the perforated panels are not removable.

## C. AIR BLOWER DRIVE SYSTEM

The impellor (fan) used in the AD-200 dryer is a 15-inch diameter squirrel cage impellor (fan) wheel. It spins in a counterclockwise (CCW) direction looking at the back of the blower housing.

The impellor (fan) shaft is mounted in two (2) pillow block bearing, and the shaft is driven by two (2) B-section V-belts connected to the blower motor.

The blower motor is mounted on an adjustable base. The motor position can be easily adjusted so that proper tension can be maintained on the V-belts.

## D. SAFETY DEVICES

### 1. Load/Unload Door Switches

There are four (4) of these switches located above the main loading doors. These switches ensure that the doors are closed before the dryer can start and ensures that the doors are fully open before the dryer will tilt. If the dryer is started when the load doors are open, the microprocessor controller (computer) L.E.D. display will show "door."

### 2. Lint Basket Switch

This switch ensures that the lint basket is closed before the dryer can start. This switch is located at the front of the dryer at the right side of the lint basket. If the lint basket is open when the dryer is started, the microprocessor controller (computer) L.E.D. display will show "door."

### 3. Tumbler Hi-Limit Safety Thermostat

This disc temperature switch has a setting of 225° F. It is located below the tumbler on the temperature sensor bracket, along side the computer (microprocessor) sensor, and is an automatic reset type switch. Access to this switch is gained by sliding/pulling the lint basket completely out of the dryer.

This switch backs up the computer (microprocessor) sensor and in case of a computer (microprocessor) malfunction will prevent the tumbler's temperature from becoming excessive. If this switch trips, the gas flow to the burner box will be shut down; however, the tumbler will still rotate.



#### 4. Burner Box Hi-Limit Safety Thermostat (Gas Dryers ONLY)

This disc temperature switch has a setting of 330° F. It is located on the right side of the burner box, and it is an automatic reset type of switch. This switch ensures that there is proper airflow through the burner box. This switch ensures that there is proper airflow through the burner box. Upon a low airflow condition, which may be caused by a clogged lint screen, excessively long or blocked exhaust duct, or improper make-up air, the temperature in the burner box will increase tripping this switch. This will shut off the gas flow to the burner box; however, the tumbler will still rotate.

#### 5. Sail Switch (Gas Dryers ONLY)

The sail switch is located in the front of the burner box. A sail switch consists of a round damper plate on a lever arm which is in contact with an electric switch. When the air blower comes on, it draws air through the gas burner. This creates a negative pressure inside the burner box. This negative pressure pulls in the round damper and activates the sail switch. If there is an improper (low) airflow through the dryer, the sail switch *will not* pull in, preventing the heat from coming on.

Low airflow through the dryer will be caused by overly long or block exhaust ducting, lack of make-up air, or a clogged lint screen.

#### 6. Tilt/Level Switches

One-Way Tilt dryers are equipped with one (1) tilt/level switch while Two-Way Tilt dryers have two (2) switches (one [1] of these switches is in the front and one [1] in the back). These switches let the PLC (Programmable Logic Controller) know the tilt position of the dryer. These switches are located at the top of the base on the right hand side.

# SECTION VIII

## TROUBLESHOOTING

**IMPORTANT: YOU MUST DISCONNECT and LOCKOUT THE ELECTRIC SUPPLY and THE GAS SUPPLY BEFORE ANY COVERS or GUARDS ARE REMOVED FROM THE MACHINE TO ALLOW ACCESS FOR CLEANING, ADJUSTING, INSTALLATION, OR TESTING OF ANY EQUIPMENT PER OSHA (Occupational Safety and Health Administration) STANDARDS.**

The information provided will help isolate the most probable component(s) associated with the difficulty described. The experienced technician realizes, however, that a loose connection or broken/shorted wire may be at fault where electrical components are concerned .. not necessarily the suspect component itself. Electrical parts should always be checked for failure before being returned to the factory.

**IMPORTANT:** When replacing blown fuses, the replacement **must be** of the exact rating as the fuse being replaced. The information provided **should not** be misconstrued as a handbook for use by a untrained person in making repairs.

**WARNING: ALL SERVICE and TROUBLESHOOTING SHOULD BE PERFORMED BY A QUALIFIED PROFESSIONAL OR SERVICE AGENCY.**

**WARNING: WHILE MAKING REPAIRS, OBSERVE ALL SAFETY PRECAUTIONS DISPLAYED ON THE DRYER OR SPECIFIED IN THIS MANUAL.**

### A. No Display...

1. Emergency stop button pushed in.
2. Service panel fuses blown or tripped breaker.
3. Blown F1 (fuse 1) or F2 (fuse 2) on left hand control panel.
4. Blown F4 (fuse 4) or F5 (fuse 5) on right hand control panel.
5. Failed microprocessor controller (computer).
6. Optional sprinkler circuit emergency relay not engaged ...
  - a. Service panel fuse blown or tripped breaker.
  - b. Sprinkler circuit is activated.

**B. Drive motor is not operating (does not start)...**

**\* Microprocessor controller (computer) relay output indicator (either forward "FWD" or reverse "REV") is on.**

1. Blown drive motor contactor fuse(s)/overload(s).
2. Failed drive motor contactor.
3. Failed drive motor.

**\* Microprocessor controller (computer) relay output indicator (neither forward "FWD" or reverse "REV") is on.**

1. Failed microprocessor controller (computer).

**C. Drive motor operates in one direction only...stops and restarts in the same direction...**

**\* Appropriate microprocessor controller (computer) relay output indicator is on.**

1. Failed reversing contactor (relay).

**\* Appropriate microprocessor controller (computer) relay output indicator is off.**

1. Failed microprocessor controller (computer).

**D. Drive motor operates okay for a few minutes and then either repeatedly or occasionally trips the overload protector...**

**NOTE: WHEN THE OVERLOAD PROTECTOR TRIPS, THE MICROPROCESSOR CONTROLLER (computer) L.E.D. DISPLAY WILL READ "door".**

1. Motor is overheating ...
  - a. Motor air vents clogged with lint.
  - b. Low voltage to motor.
  - c. Failed motor.
  - d. Tumbler (basket) is binding...check for an obstruction.
  - e. Failed gear reducer or tumbler bearings.
  - f. V-belts are too tight.
  - g. Dryer has an oversized load
2. Failed overload protector.

**E. Impellor (fan) motor is not operating (does not start)...**

\* Microprocessor controller (computer) "MTR" relay output indicator is on.

1. Blown blower (impellor/fan) motor contactor fuse(s)/overload(s).
2. Failed blower (impellor/fan) motor contactor (relay).
3. Failed blower (fan/impellor) motor.

\* Microprocessor controller (computer) "MTR" relay output indicator is off.

1. Failed microprocessor controller (computer).

**F. Blower (fan/impellor) motor operates okay for a few minutes and then either repeatedly or occasionally trips the overload protector...**

NOTE: WHEN THE OVERLOAD PROTECTOR TRIPS, THE MICROPROCESSOR CONTROLLER (computer) L.E.D. DISPLAY WILL READ "door".
--------------------------------------------------------------------------------------------------------------------

1. Motor is overheating ...
  - a. Motor air vents clogged with lint.
  - b. Low voltage to motor.
  - c. Failed motor.
  - d. Tumbler (basket) is binding...check for an obstruction.
  - e. Failed gear reducer or tumbler bearings.
  - f. V-belts are too tight.

2. Failed overload protector.

**G. Both drive motor and blower (fan/impellor) motor are not operating...microprocessor controller (computer) L.E.D. motor indicator dots and the ""MTR" relay output and forward (FWD" or reverse "REV" L.E.D. indicators are on.**

1. Blown drive motor and blower (fan/impellor) motor fuse(s)/overload(s).
2. Failed motors (both blower [fan/impellor] and drive).

**H. Both drive motor and blower (fan/impellor) motor are not operating...microprocessor controller (computer) L.E.D. motor indicator dots and the "door" L.E.D. indicator are on but the relay output L.E.D. indicators are off (microprocessor controller [computer] L.E.D. display *does not* read "door."**

1. Failed microprocessor controller (computer).

**I. Microprocessor controller (computer) L.E.D. display reads "dSFL" continuously and the buzzer (tone) sounds every thirty (30) seconds...**

1. Fault in microprocessor heating sensing circuit ...
  - a. Failed microprocessor temperature sensor.
  - b. Blown "dSFL" 1/8-amp fuse on the microprocessor controller (computer).
  - c. Failed microprocessor controller (computer).
  - d. Broken wire or connection between microprocessor controller (computer) and the microprocessor temperature sensor.

**J. Microprocessor controller (computer) L.E.D. display reads "door" and the microprocessor controller "DOOR" L.E.D. indicator is off...**

1. Fault (open circuit) in main door/lint drawer switch circuit ...
  - a. Lint drawer not closed all the way.
  - b. Lint drawer switch is out of proper adjustment.
  - c. Failed lint drawer switch.
  - d. One (1) of the main door switches has failed.
  - e. One (1) of the main door switch contact magnets is either missing or is broken.
  - f. Failed door switch relay.
  - g. Broken wire/connection in main door or lint drawer switch circuit.
  - h. Drive motor and/or blower (fan/impellor) motor thermal overload reset has tripped.
2. Failed 24 VAC step down transformer.
3. Master control relay (MCR) not engaged.
4. Blown 24 VAC control circuit fuse (fuse 3 [F3]).

**K. Microprocessor controller (computer) L.E.D. display reads "door" and the microprocessor controller "DOOR" L.E.D. indicator is on...**

1. Failed microprocessor controller (computer).

**L. Microprocessor controller (computer) will not accept any keyboard (touchpad) entries, (i.e., L.E.D. display reads "FILL" and when keyboard [touchpad] entries are selected, the L.E.D. display continues to read "FILL")...**

1. Dryer is not in level position.
2. Broken connection between level switches.
3. Level switches need to be adjusted.
4. Failed keyboard label (touchpad) assembly.
5. Failed microprocessor controller (computer).

**M. Microprocessor controller (computer) will only accept certain keyboard (touchpad) entries...**

1. Failed keyboard label (touchpad) assembly.
2. Failed microprocessor controller (computer).

**N. Microprocessor controller (computer) locks up and L.E.D. display reads erroneous message(s) or only partial segments...**

1. Transient power voltage spikes...disconnect power to the dryer, wait one (1) minute and reestablish power to the dryer. If problem is evident ...
  - a. Failed microprocessor controller (computer).
  - b. Failed keyboard label (touchpad) assembly.

**O. Dryer stops during a cycle, microprocessor controller (computer) buzzer (tone) sounds for five (5) seconds, L.E.D. display reads "dSFL" for approximately thirty (30) seconds and then returns to "FILL"...**

1. Loose connection somewhere between microprocessor controller (computer) and the microprocessor temperature sensor.

**P. Dryer stops during a cycle, microprocessor controller (computer) buzzer (tone) sounds for a few seconds, and then microprocessor controller (computer) L.E.D. returns to "FILL"...**

1. Loose connection somewhere in the main power circuit to the microprocessor controller (computer).

**Q. Microprocessor controller (computer) L.E.D. display reads "SEFL"...**

1. Microprocessor controller (computer) program (Program Location 2 {PL02}) is set incorrectly in the active mode ("Sen") where the dryer is not equipped with the *optional* rotation sensor...program must be set as "nSen".
2. Rotational sensor circuit failure...fault somewhere in the tumbler (basket) rotation or circuit ...
  - a. Tumbler (basket) not rotating ...
    - 1) Broken tumbler (basket) drive V-belt(s).
    - 2) Failure in drive motor circuit...refer to Section B , Section C, and Section D on page 59.
  - b. Bad rotation sensor.
  - c. Broken wire or connection between rotation sensor and microprocessor controller (computer).

**R. Microprocessor controller (computer) L.E.D. reads "Hot"...**

1. Possible overheating condition...microprocessor controller (computer) has sensed a temperature which has exceeded 220° F.

"Hot" display will not clear until temperature sensed has dropped to 220° F or lower and the microprocessor controller (computer) is manually reset by pressing the "CLEAR/STOP" key.

**S. No heat (for STEAM MODELS ONLY)...both microprocessor controller (computer) L.E.D. heat indicator dot and the "HEAT" relay output L.E.D. are on...**

1. Fault in 225° hi-heat (limit) switch circuit or thermostat.
2. No (external) compressed air to steam damper...80 PSI required.
3. Failed steam damper 24 VAC pneumatic solenoid valve.
4. Failed steam damper pistons.
5. Steam damper stuck closed.

**T. Dryer operates but is taking too long to dry...**

1. Exhaust duct work run is too long or is undersized...back pressure cannot exceed .3 inches water column (W.C.).
2. Restriction in duct work...check duct from the dryer all the way to the outdoors.
3. Low and/or inconsistent gas pressure (for GAS MODELS ONLY).

4. Insufficient make-up air.
5. Poor air/gas mixture at burner - yellow or poor flame pattern...adjust gas burner air adjustment shutters (*for GAS MODELS ONLY*).
6. Lint drawer/ screen is not being cleaned on a regular basis or often enough.
7. Extractors (washer) not performing properly.
8. Sail switch is fluttering...restriction in exhaust (*for GAS MODELS ONLY*).
9. Failed microprocessor controller (computer)...temperature calibration is inaccurate.
10. Failed microprocessor temperature sensor...calibration is inaccurate.
11. Failed burner hi-limit (*for GAS MODELS ONLY*).
12. Failed 225° hi-limit (thermostat).
13. Steam damper system is not functioning properly (*for STEAM DRYER ONLY*) ...
  - a. Steam damper sticking closed.
  - b. Leak in pneumatic system.
14. Undersized load, dryer requires a minimum load size of approximately 125 lbs for maximum drying efficiency.

**U. Excessive noise and/or vibration...**

1. Dryer not leveled properly.
2. Impellor (fan/blower) out of balance ...
  - a. Excessive lint build up on impellor (fan/blower)...check air jet.
  - b. Failed impellor (fan/blower).
3. Loose motor mount.
4. Failed idler bearings and/or tumbler bearings.
5. V-belt(s) either too tight or too loose.
6. Tumbler (basket) drive wheels are worn or are loose.
7. Set screws of the tumbler drive shaft bearings are loose.
8. Failed motor bearing.
9. Drive wheel torque is loose.



**V. Dryer will not tilt...**

1. No (external) compressed air to pneumatic switches...80 PSI required (11 cf/h).

a. Tilting to unload - 1-door ...

1) Dryer will not tilt unless front doors are completely open ...

a) No door open signal.

b) Defective proximity switch.

b. Tilting to unload - 2-doors ...

1) Dryer will not tilt to unload unless front doors are closed.

**W. Dryer will not level from a tilt to load position...**

1. Lint drawer is open.

2. Defective lint drawer switch.

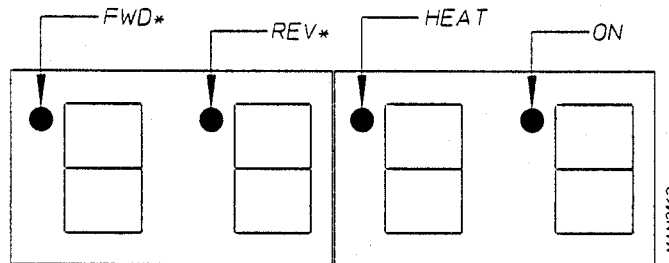
3. Broken connection between the lint drawer switch and the lint drawer closed relay.

# SECTION IX

## PROCEDURE FOR FUNCTIONAL CHECK OF REPLACEMENT COMPONENTS

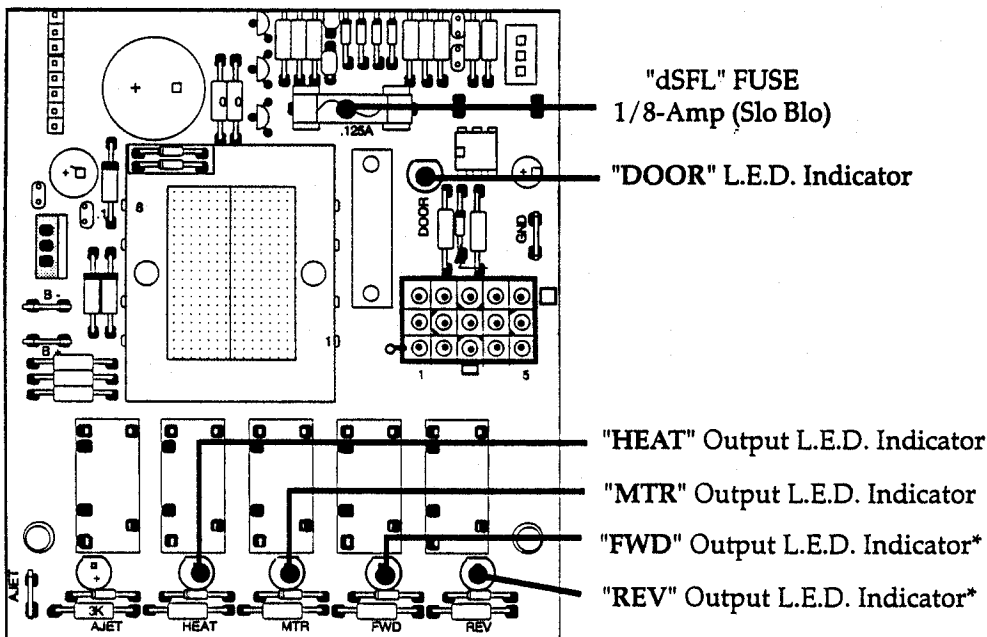
### 1. Microprocessor (computer) Board

- a. Upon completing installation of the replacement microprocessor (computer) board, reestablish power to the dryer.
- b. Start the drying cycle.
- c. Verify that the motor(s) and the heat indicator dots, in the microprocessor (computer) L.E.D. display are on. (Refer to the illustration below.)



\*OPL (NON-COIN) REVERSING MODELS ONLY.

- d. Verify that the motor(s) heat, and door indicator lights on the back side of the microprocessor (computer) board are lit. (Refer to the illustration below.)

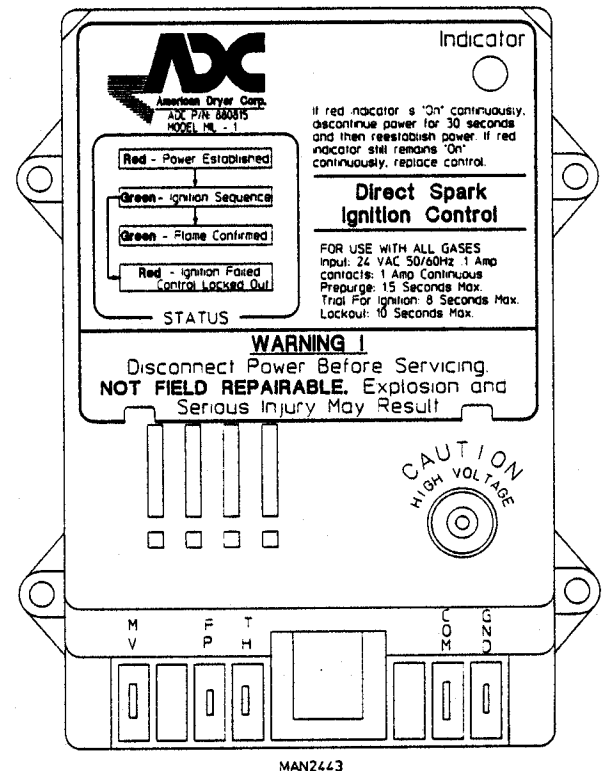


\* OPL (non-coin) REVERSING MODELS ONLY

- e. Open main door. The dryer *must stop* and **ALL** indicator lights on the back side of the microprocessor (computer) board *must go out*. (Refer to illustration on previous page [page 70].)
- f. Try to restart the dryer with the main door open.
- g. The microprocessor (computer) board's L.E.D. display *must read* "DOOR."
- h. Close the main door and restart the dryer.
- i. Functional check of microprocessor (computer) board is complete.

## 2. Direct Spark Ignition (DSI) System

- a. Upon completing installation of the replacement Direct Spark Ignition (DSI) module, reestablish power to the dryer.
- b. Start the drying cycle.
- c. The ignition (DSI) module's L.E.D. indicator will light "red" for up to approximately 1.5 seconds (prepurge time).
- d. The module's indicator light will then turn "green." The gas valve will be energized and the ignitor probe will spark for approximately 8 seconds. The burner flame should now be established.
- e. With the burner flame on, remove the flame sensor wire from the FS terminal of the DSI module.
- f. The burner flame *must shut off* and the ignition module *must lock out* with the DSI module's indicator light "red."



- g. Stop the drying cycle, with the flame sensor wire still removed, restart the drying cycle.
- h. The ignition module *must proceed* through the prepurge, with the indicator light "red," the ignition trial time of approximately 8 seconds, with the indicator light "green," and then proceed to lock out with the indicator light "red."
- i. Functional check of the Direct Spark Ignition (DSI) Module is complete.
  - 1) Replace the flame sensor wire from the FS terminal to the DSI module.

ADC 112143 1 - 01/22/96-50 2 \* 10/04/96-200

