



AD-26 / AD-295  
Parts Manual  
24 VAC Phase 5  
1992 thru 1998

---

**American Dryer Corporation**  
88 Currant Road  
Fall River, MA 02720-4781  
Telephone: (508) 678-9000 / Fax: (508) 678-9447  
E-mail: [techsupport@amdry.com](mailto:techsupport@amdry.com)

[www.amdry.com](http://www.amdry.com)

# Retain This Manual In A Safe Place For Future Reference

American Dryer Corporation products embody advanced concepts in engineering, design, and safety. If this product is properly maintained, it will provide many years of safe, efficient, and trouble free operation.

**ONLY qualified technicians should service this equipment.**

**OBSERVE ALL SAFETY PRECAUTIONS** displayed on the equipment or specified in the installation manual included with the dryer.

The following “**FOR YOUR SAFETY**” caution must be posted near the dryer in a prominent location.

## FOR YOUR SAFETY

Do not store or use gasoline or other flammable vapors and liquids in the vicinity of this or any other appliance.

## POUR VOTRE SÉCURITÉ

Ne pas entreposer ni utiliser d'essence ni d'autres vapeurs ou liquides inflammables à proximité de cet appareil ou de tout autre appareil.

We have tried to make this manual as complete as possible and hope you will find it useful. ADC reserves the right to make changes from time to time, without notice or obligation, in prices, specifications, colors, and material, and to change or discontinue models.

## Important

For your convenience, log the following information:

**DATE OF PURCHASE** \_\_\_\_\_ **MODEL NO.** \_\_\_\_\_

**RESELLER'S NAME** \_\_\_\_\_

**Serial Number(s)** \_\_\_\_\_

Replacement parts can be obtained from your reseller or the ADC factory. When ordering replacement parts from the factory, you can FAX your order to ADC at (508) 678-9447 or telephone your order directly to the ADC Parts Department at (508) 678-9000. Please specify the dryer model number and serial number in addition to the description and part number, so that your order is processed accurately and promptly.

The illustrations on the following pages may not depict your particular dryer exactly. The illustrations are a composite of the various dryer models. Be sure to check the descriptions of the parts thoroughly before ordering.

### **“IMPORTANT NOTE TO PURCHASER”**

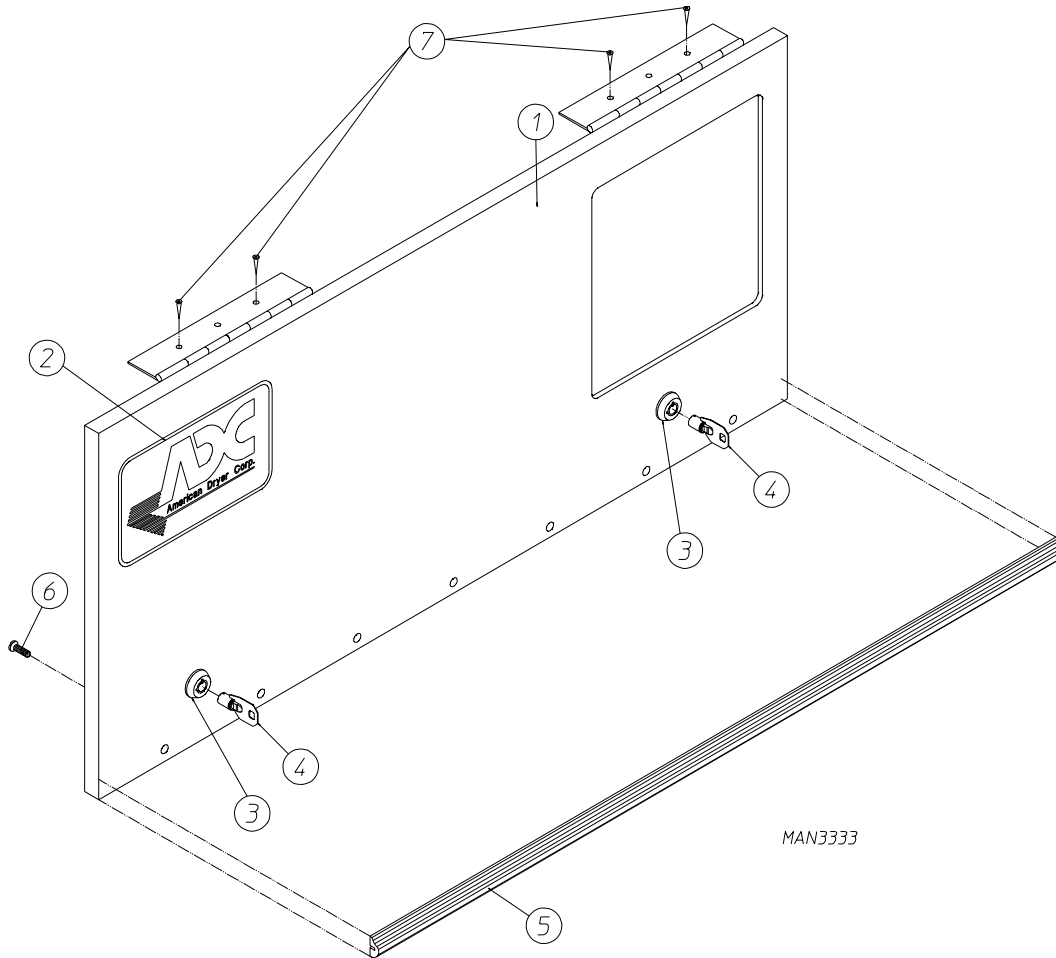
Information must be obtained from your local gas supplier on the instructions to be followed if the user smells gas. These instructions must be posted in a prominent location near the dryer.

# Table of Contents

AD-26 / AD-295 Coin Control Door Assembly For Models Mfd. as of March 21, 1997 .....	4
Coin Control Door Assembly For Models Mfd. prior to March 21, 1997 .....	5
Non-Coin Control Door Assembly For Models Mfd. as of March 21, 1997 .....	6
Non-Coin Control Door Assembly For Models Mfd. prior to March 21, 1997 .....	7
Dual Timer Control Door Assembly For Models Mfd. as of March 21, 1997 .....	8
Dual Timer Control Door Assembly For Models Mfd. prior to March 21, 1997 .....	9
Single Coin Microprocessor Control Panel Assembly For Models Mfd. as of April 11, 1996 .....	10
Single Coin Microprocessor Control Panel Assembly For Single Coin 25¢ Models Only .....	11
Dual Coin Microprocessor Control Panel Assembly For Export Models Only .....	12
Non-Coin Microprocessor Control Panel Assembly .....	13
Microprocessor Control Box Assembly .....	14
25¢ Coin Acceptor Component Listing .....	15
Dual Coin Acceptor Component Listing For Export Models Only .....	16
Dual Timer Control Panel Assembly .....	18
Non-Microprocessor Coin Control Panel Assembly .....	19
Non-Microprocessor Control Box Assembly .....	20
Main Door Assembly .....	21
Main Door Switch Assembly .....	22
Coin Vault Assembly .....	23
Coin Front Panel Assembly .....	24
Non-Coin Front Panel Assembly .....	25
Lint Door Assembly .....	26
Lint Basket / Lint Switch Assemblies .....	27
AD-26 Tumbler / Support Assemblies For Models Mfd. as of August 17, 1998 .....	28
AD-26 Tumbler / Support Assemblies For Models Mfd. prior to August 17, 1998 .....	29
AD-295 Tumbler / Support Assemblies For Models Mfd. as of November 2, 1998 .....	30
AD-295 Tumbler / Support Assemblies For Models Mfd. prior to November 2, 1998 .....	31
Tumbler Brush Assembly .....	32
Microprocessor Temperature Sensor Bracket Assembly .....	33
Non-Microprocessor Temperature Sensor Bracket Assembly .....	34
Sail Switch Assembly .....	35
Tumbler Bearing Assembly .....	36
Totally Enclosed, Non-Vent Motor / Idler Assemblies .....	38
Upshot Burner Assembly .....	40
Back Guard Assembly .....	42
12-Rib 120" (J) Poly Belt Arrangement .....	43
Upshot Burner Assembly Specifications .....	44
Additional Parts Available .....	45

# AD-26 / AD-295 Coin Control Door Assembly

For Models Mfd. as of March 21, 1997

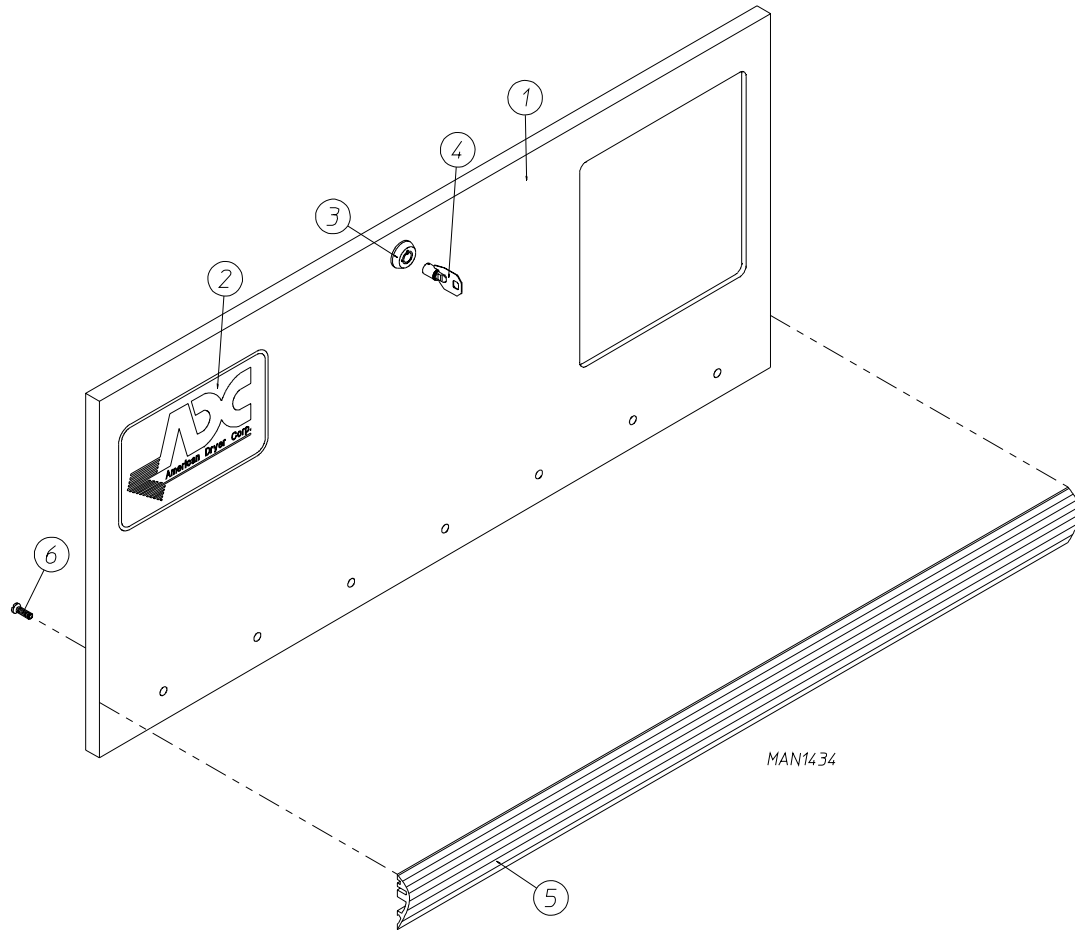


Illus. No.	Part No.	Qty.	Description
1	881585*	1	AD-26 / AD-295 Coin Control Door with Trim Less Locks (includes illus. nos. 1, 5, and 6)
	881583*	1	AD-26 / AD-295 Stainless Steel Coin Control Door with Trim Less Locks (includes illus. nos. 1, 5, and 6)
2	112350	1	ADC Logo Only
	870011	1	Logo Double Stick Tape Kit
3	160040	2	ACE® Lock Assembly
4	160140	–	ACE® Key (key number XX4451)
5	180315	1	AD-26 / AD-295 Lower Control Door Trim
6	150310	5	#8 x 1/2" Phillips Pan Head "A" Screw
7	150300	4	#10 x 1/2" Hex Washer TEK Screw

\* Specify color when ordering.

# Coin Control Door Assembly

For Models Mfd. prior to March 21, 1997

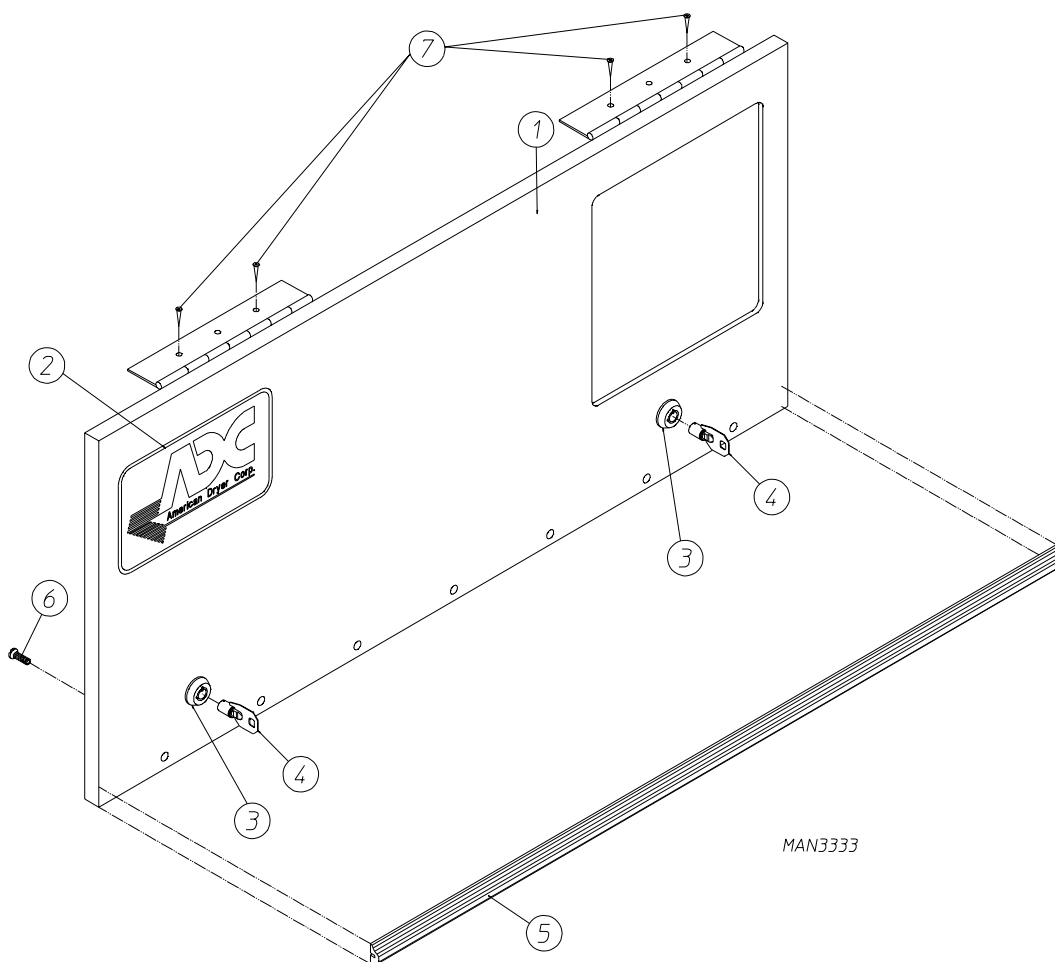


Illus. No.	Part No.	Qty.	Description
1	880236*	1	AD-26 / AD-295 Coin Control Door with Trim Less Locks (includes illus. nos. 1, 5, and 6)
	850414	1	AD-26 / AD-295 Coin Control D
2	112350	1	ADC Logo
	870011	1	Logo Double Stick Tape Kit
3	160040	1	ACE® Lock Assembly
4	160140	–	ACE® Key (key number XX4451)
5	180315	1	AD-26 / AD-295 Lower Control Door Trim
6	150310	5	#8 x 1/2" Phillips Pan Head "A" Screw

\* Specify color when ordering.

# Non-Coin Control Door Assembly

For Models Mfd. as of March 21, 1997

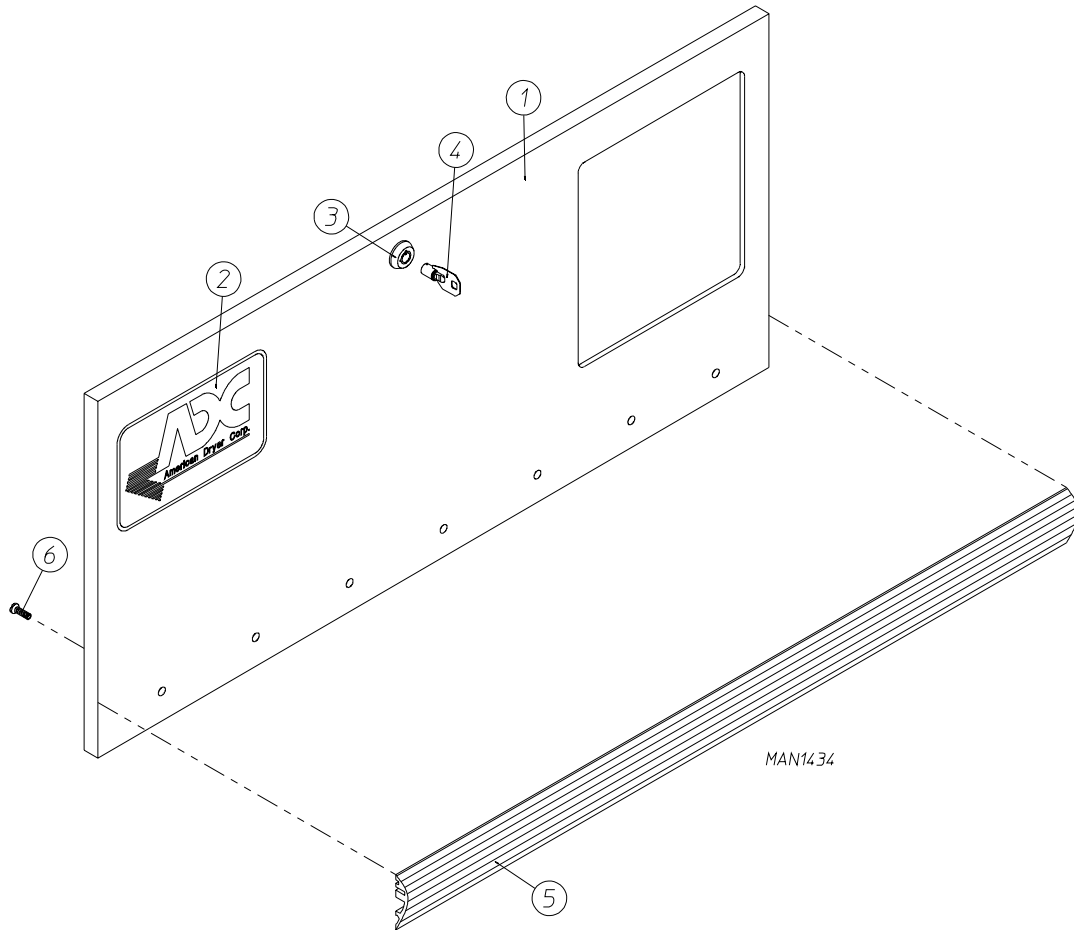


Illus. No.	Part No.	Qty.	Description
1	881586*	1	AD-26 / AD-295 Non-Coin Control Door with Trim Less Locks (includes illus. nos. 1, 5, and 6)
2	112350	1	ADC Logo
	870011	1	Logo Double Stick Tape Kit
3	160040	2	ACE® Lock Assembly
4	160140	-	ACE® Key (key number XX4451)
5	180315	1	AD-26 / AD-295 Lower Control Door Trim
6	150310	5	#8 x 1/2" Phillips Pan Head "A" Screw
7	150300	4	#10 x 1/2" Hex Washer TEK Screw

\* Specify color when ordering.

# Non-Coin Control Door Assembly

For Models Mfd. prior to March 21, 1997

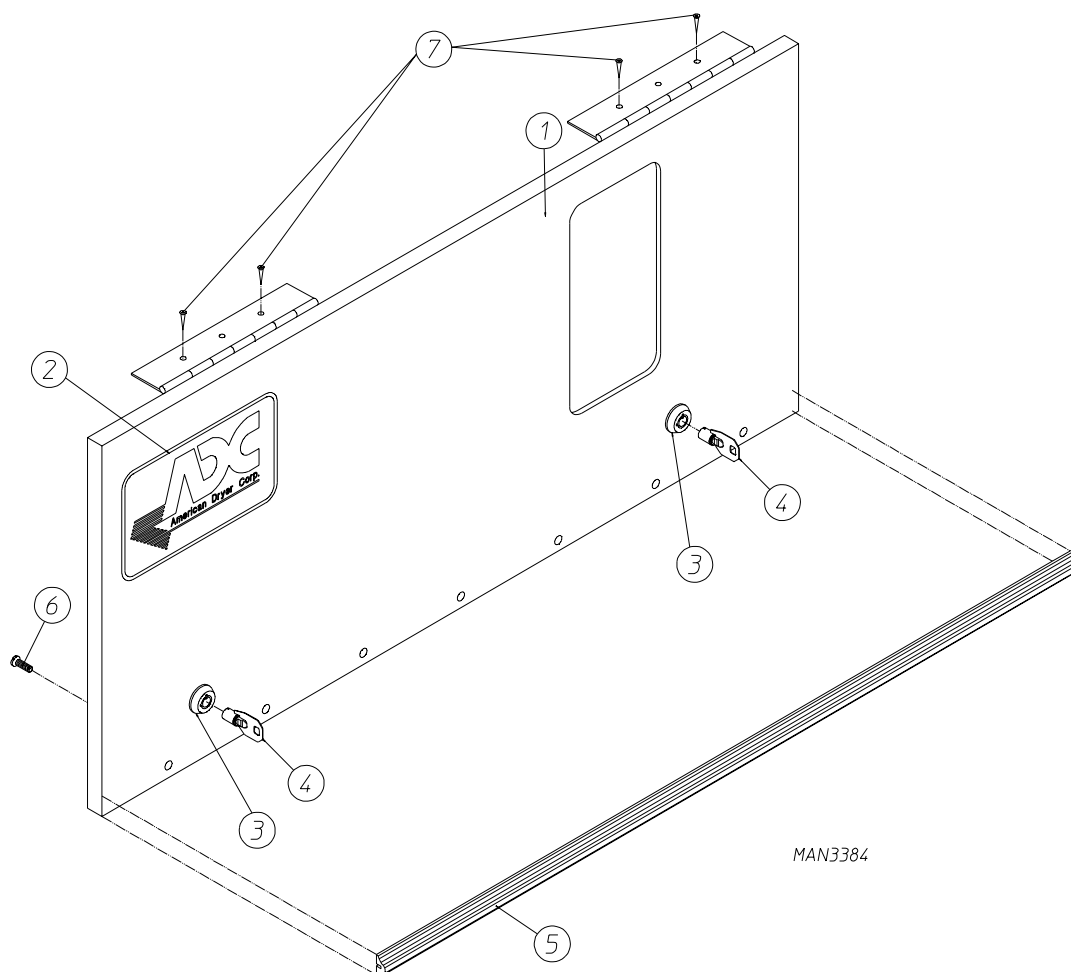


Illus. No.	Part No.	Qty.	Description
1	880918*	1	AD-26 / AD-295 Non-Coin Control Door with Trim Less Locks (includes illus. nos. 1, 5, and 6)
	880917*	1	AD-26 / AD-295 Non-Coin Control Door Only
2	112350	1	ADC Logo Only
	870011	1	Logo Double Stick Tape Kit
3	160040	1	ACE® Lock Assembly
4	160140	–	ACE® Key (key number XX4451)
5	180315	1	AD-26 / AD-295 Lower Control Door Trim
6	150310	5	#8 x 1/2" Phillips Pan Head "A" Screw

\* Specify color when ordering.

# Dual Timer Control Door Assembly

For Models Mfd. as of March 21, 1997

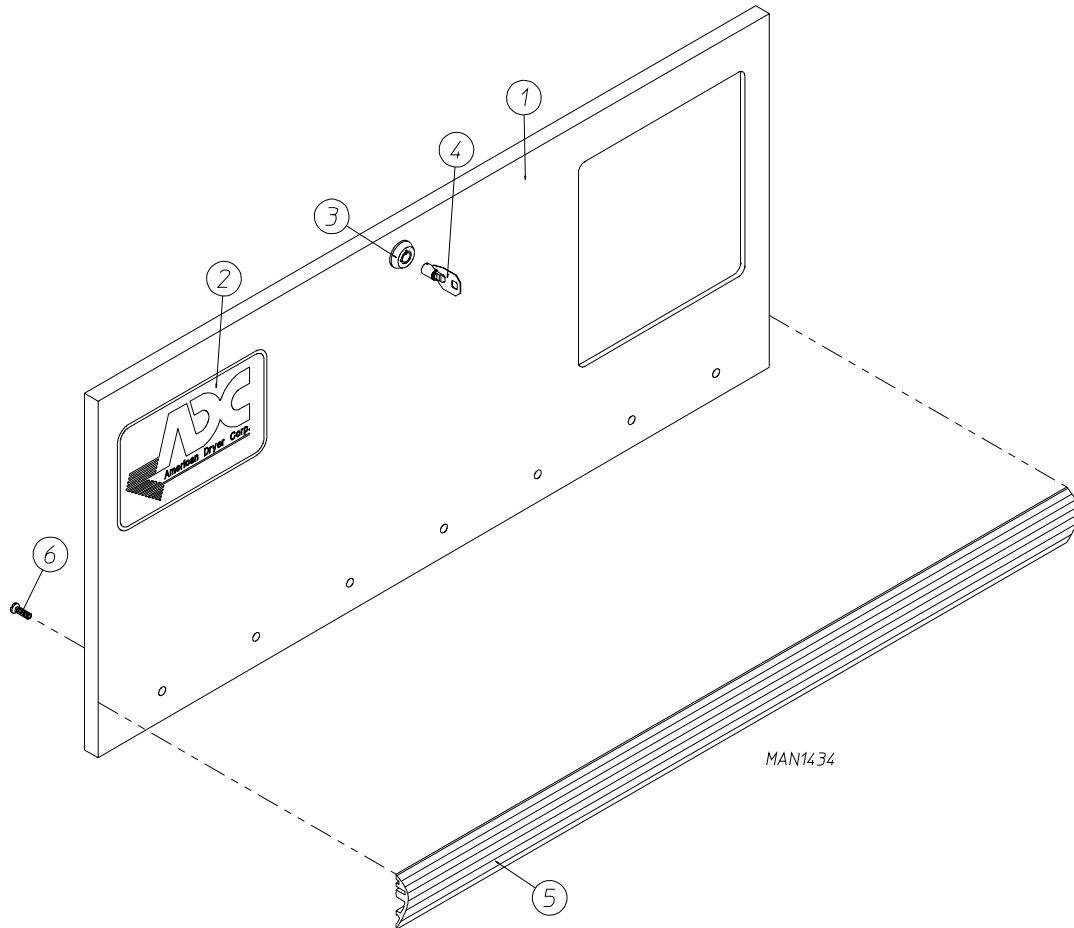


<u>Illus. No.</u>	<u>Part No.</u>	<u>Qty.</u>	<u>Description</u>
1	881596	1	AD-26 / AD-295 Coin Control Door with Trim Less Locks (includes illus. nos. 1, 5, and 6)
2	112350	1	ADC Logo Only
	870011	1	Logo Double Stick Tape Kit
3	160040	2	ACE® Lock Assembly
4	160140	-	ACE® Key (key number XX4451)
5	180315	1	AD-26 / AD-295 Lower Control Door Trim
6	150310	5	#8 x 1/2" Phillips Pan Head "A" Screw
7	150300	4	Hex Washer TEK Screw



# Dual Timer Control Door Assembly

For Models Mfd. prior to March 21, 1997

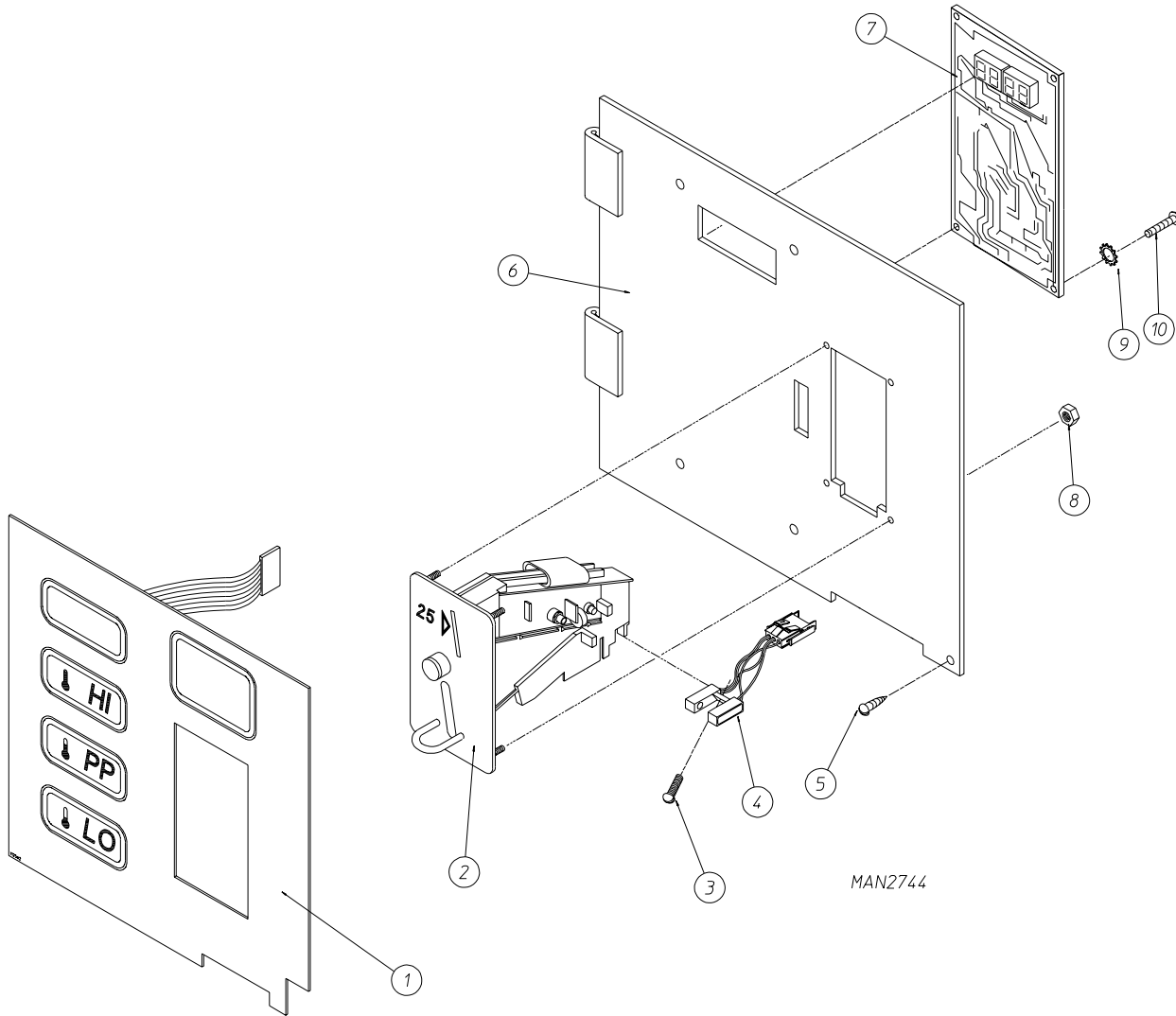


Illus. No.	Part No.	Qty.	Description
1	880773*	1	AD-26 / AD-295 Coin Control Door with Trim Less Locks (includes illus. nos. 1, 5, and 6)
	850415*	1	AD-26 / AD-295 Coin Control Door Only
2	112350	1	ADC Logo Only
	870011	1	Logo Double Stick Tape Kit
3	160040	1	ACE® Lock Assembly
4	160140	–	ACE® Key (key number XX4451)
5	180315	1	AD-26 / AD-295 Lower Control Door Trim
6	150310	5	#8 x 1/2" Phillips Pan Head "A" Screw

\* Specify color when ordering.

# Single Coin Microprocessor Control Panel Assembly

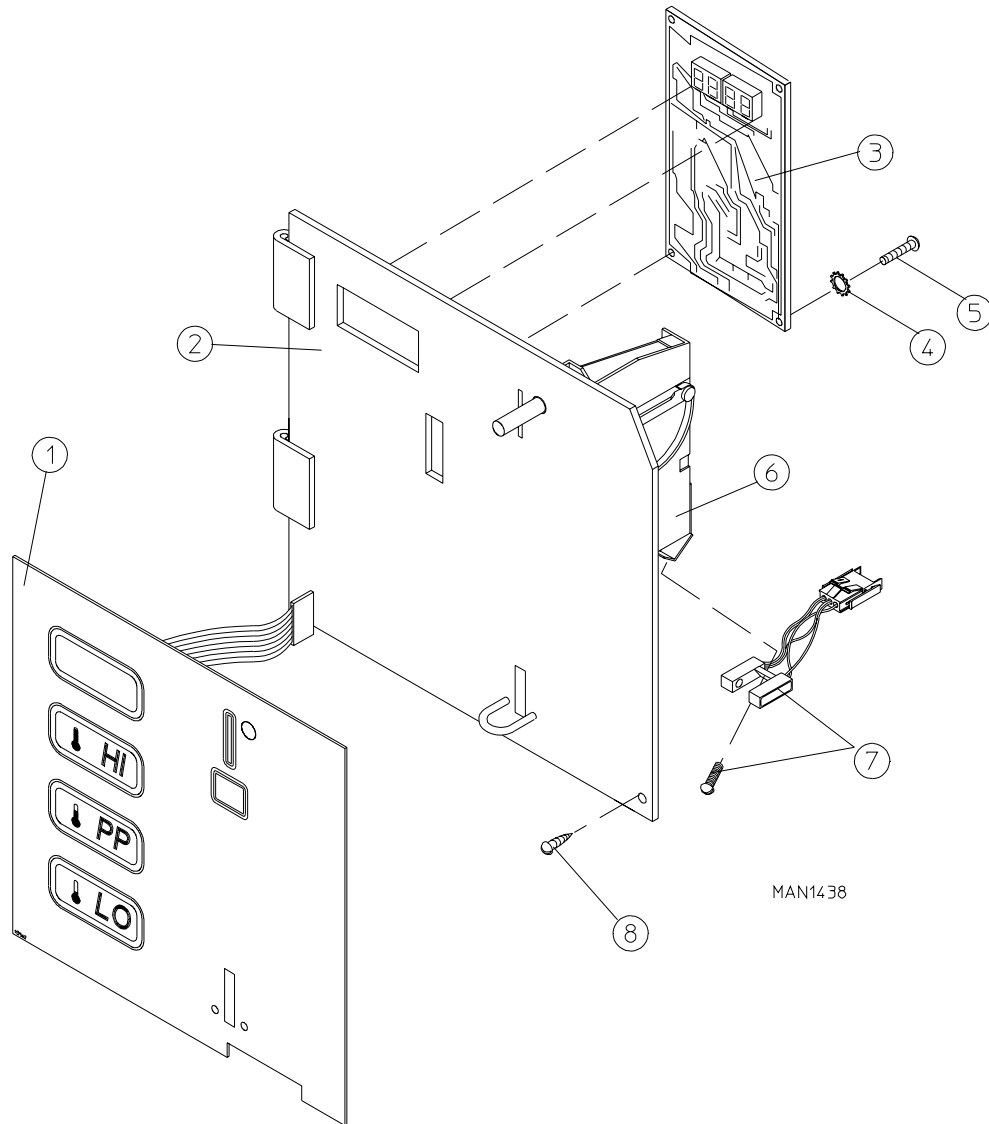
For Models Mfd. as of April 11, 1996



Illus. No.	Part No.	Qty.	Description
1	112568	1	Single Coin Keypad for Hanke Acceptor
2	881163	1	25¢ Hanke Coin Acceptor with Optic
	881450	1	25¢ Canadian Coin Acceptor with Optic
	881451	1	0.880 Token Hanke Coin Acceptor with Optic
3	150150	1	2.5 mm x 10 mm Stainless Steel Phillips Screw
4	881143	1	Hanke Optic Switch
5	150415	1	#10-16 x 1/2" Phillips Screw
6	883353	1	Control Panel Assembly Complete Less Acceptor (includes illus. nos. 1 and 5 through 10)
	883352	1	Control Panel Only
7	137216	1	Phase 5 Coin Board
8	152102	4	M-3 Metric Hex Nut
9	153010	2	#6 Star Washer
10	150005	2	#6-32 x 1/4" Phillips Round Head Machine Screw

# Single Coin Microprocessor Control Panel Assembly

For Single Coin 25¢ Models Only

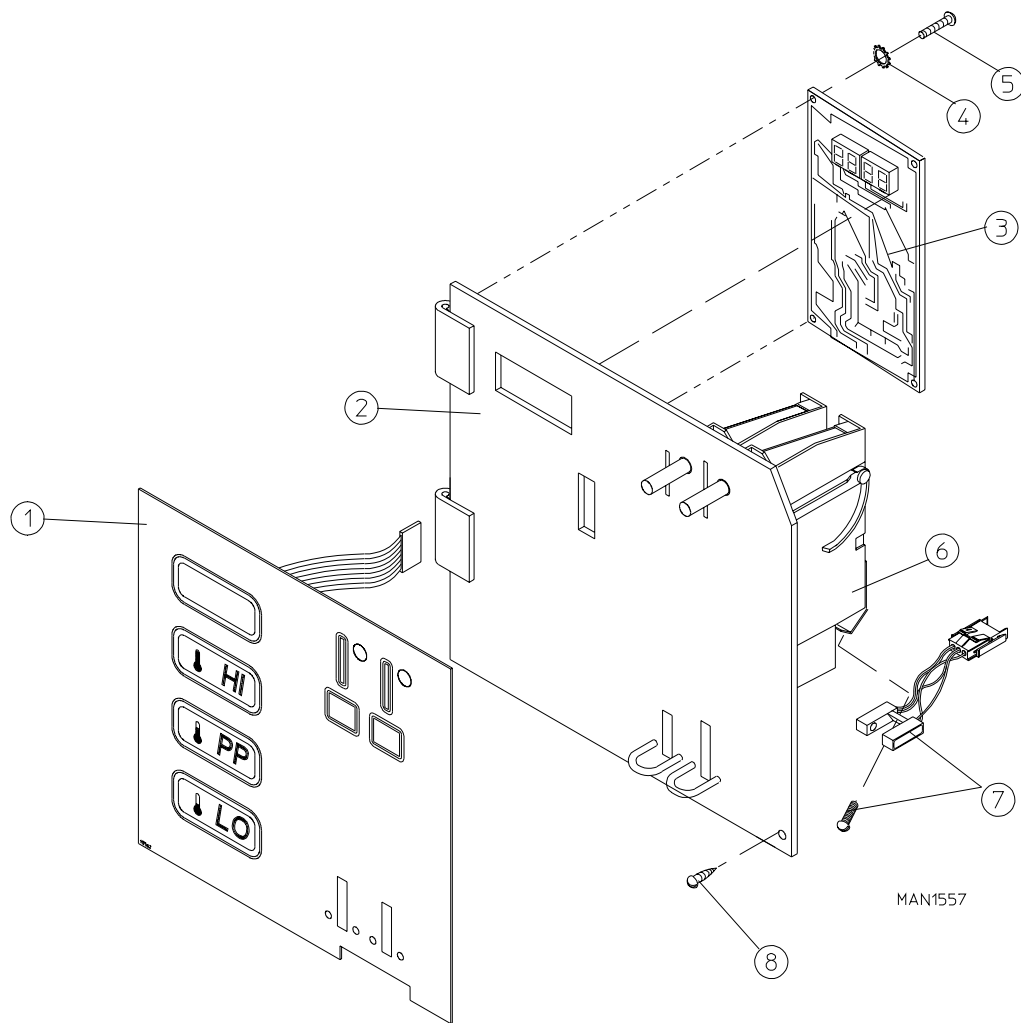


Illus. No.	Part No.	Qty.	Description
1	112560	1	AD-26 / AD-295 Single Coin Keypad Label
2	880887	1	AD-26 / AD-295 Single Coin Panel Control less Acceptor – 24 VAC (includes illus. nos. 1 through 5)
	880888	1	AD-26 / AD-295 Control Panel Only
3	137216	1	AD-26 / AD-295 Phase 5 Microprocessor Controller Only
	824998	1	Phase 5 Battery Clip Only
4	153010	2	#6 Star Washer
5	150005	2	#6-32 x 1/4" Phillips Round Head Machine Screw
6	—	1	25¢ Coin Acceptor <b>(refer to 25¢ Coin Acceptor Component Listing on page 15)</b>
7	137056	1	Optical Switch
8	150309	1	#10-16 x 1/2" Hex Head TEK Crimptite Screw

NOTE: Contact factory for export models.

# Dual Coin Microprocessor Control Panel Assembly

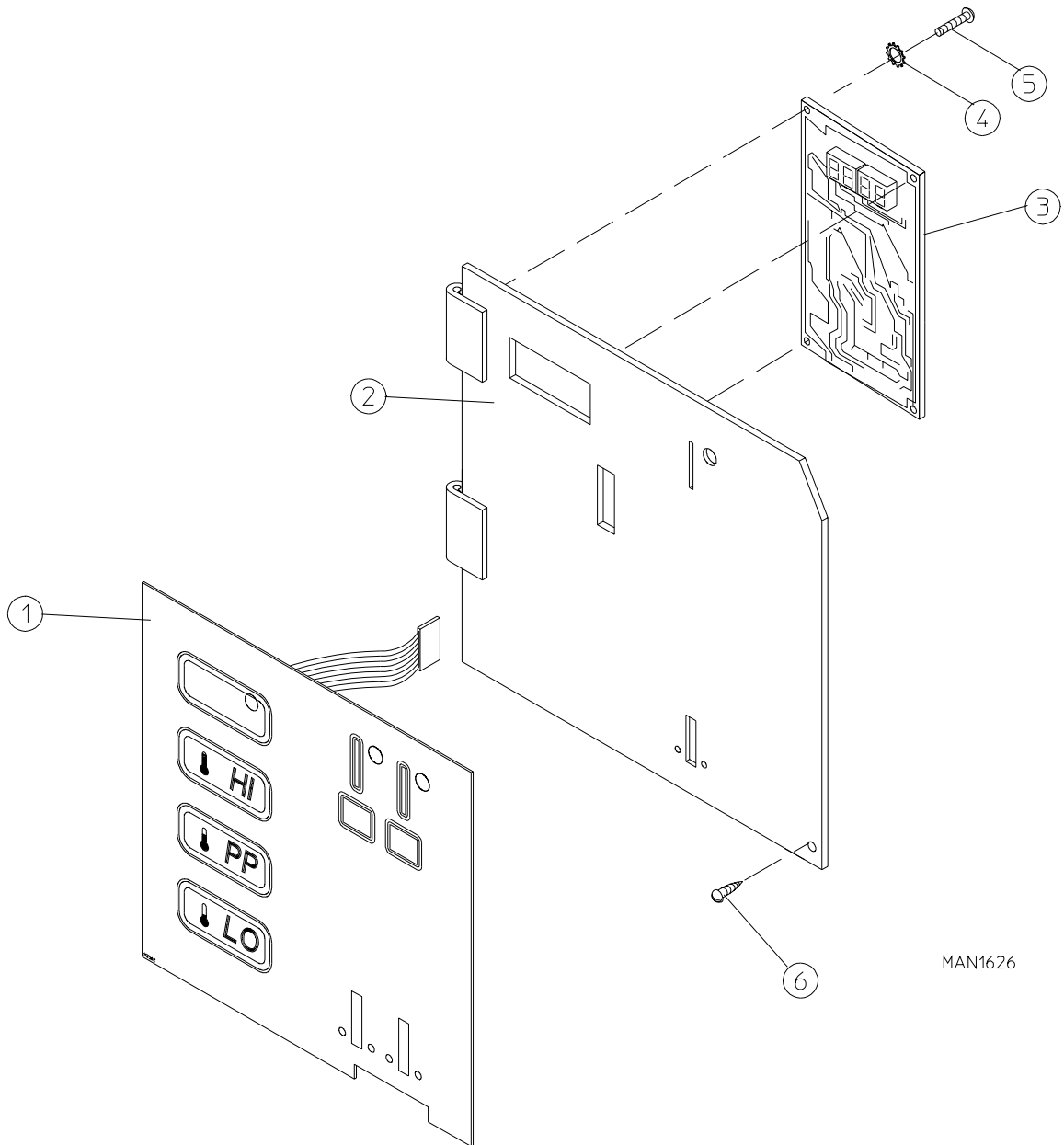
For Export Models Only



Illus. No.	Part No.	Qty.	Description
1	112560	1	AD-26 / AD-295 Dual Coin Keypad Label
2	880906	1	AD-26 / AD-295 Dual Coin Panel Control less Acceptor – 24 VAC (includes illus. nos. 1 through 5)
	880904	1	AD-26 / AD-295 Dual Coin Control Panel Only
3	137216	1	AD-26 / AD-295 Phase 5 Control Microprocessor Only
	824998	1	Phase 5 Battery Clip Only
4	153010	2	#6 Star Washer
5	150005	2	#6-32 x 1/4" Phillips Round Head Machine Screw
6	—	1	Dual Coin Acceptor <b>(refer to Dual Coin Acceptor Component Listing on page 16)</b>
7	137056	2	Optical Switch
8	150309	1	#10-16 x 1/2" Hex Head TEK Crimptite Screw

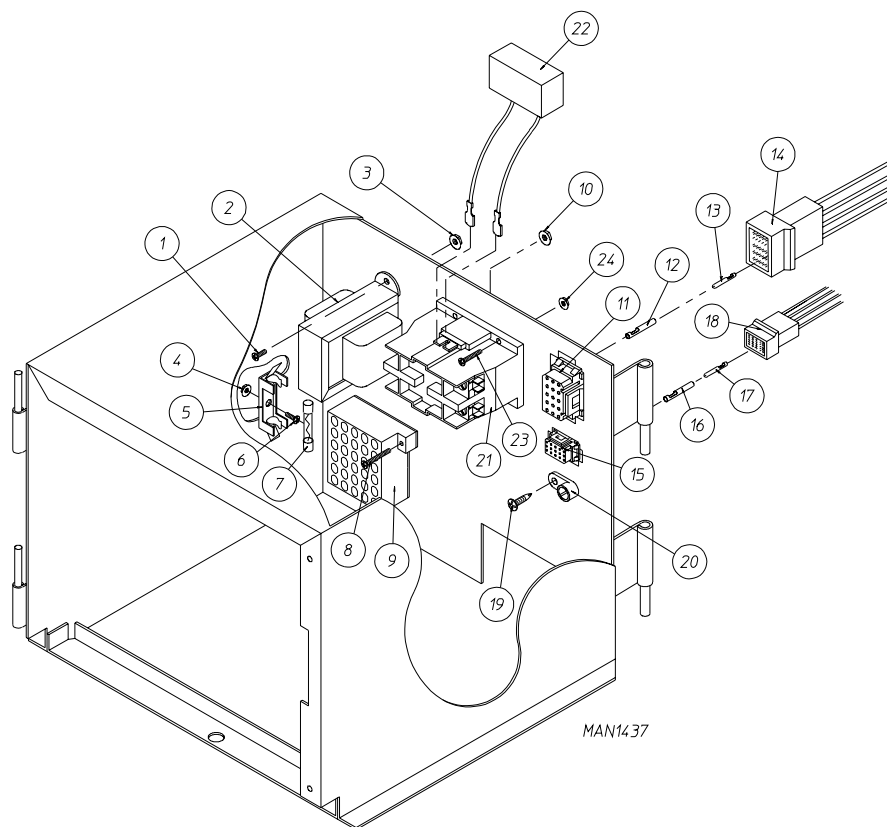
NOTE: Contact factory for export models.

# Non-Coin Microprocessor Control Panel Assembly



Illus. No.	Part No.	Qty.	Description
1	112560	1	AD-26 / AD-295 Dual Coin Twin-Keypad Label
2	880905	1	AD-26 / AD-295 Non-Coin Control Panel Assembly Complete – 24 VAC (includes illus. nos. 1 through 5)
	880916	1	AD-26 / AD-295 Non-Coin Control Panel Only
3	137216	1	Phase 5 Non-Coin Computer Board Only
	824998	1	Phase 5 Battery Clip Only
4	153010	2	#6 Star Washer
5	150005	2	#6-32 x 1/4" Phillips Round Head Machine Screw
6	150309	1	#10-16 x 1/2" Hex Head TEK Crimpite Screw

# Microprocessor Control Box Assembly

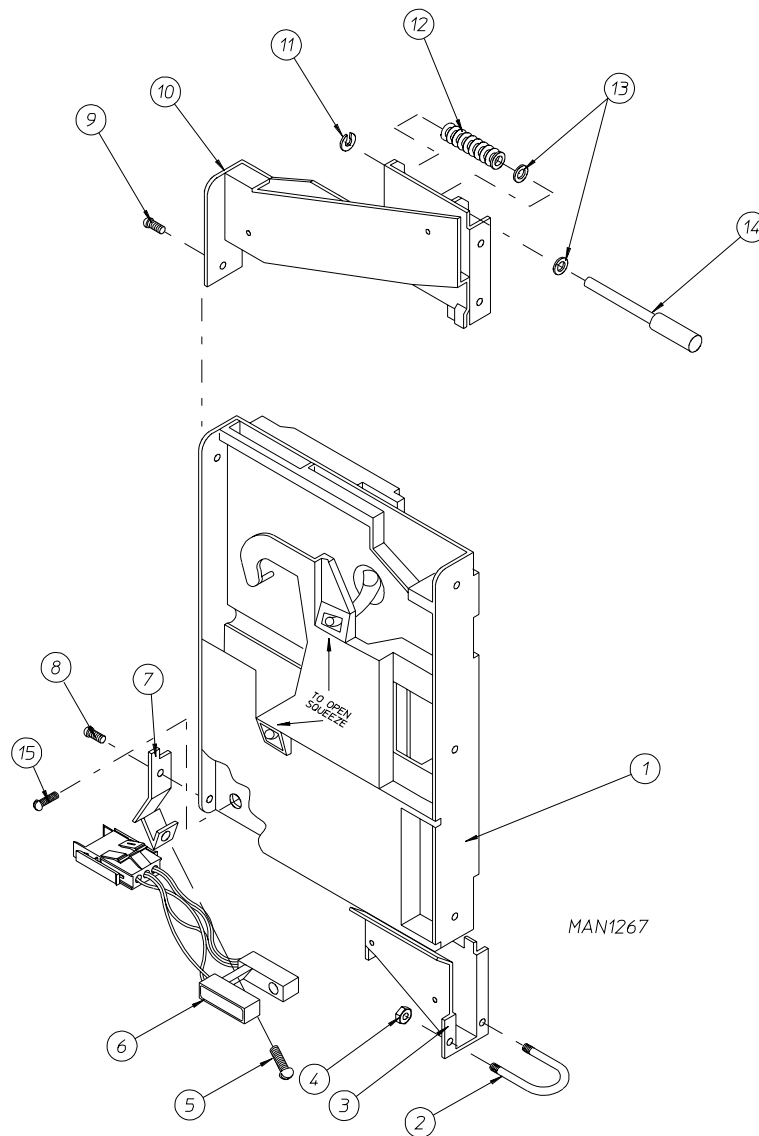


Illus. No.	Part No.	Qty.	Description
1	150103	2	#8-32 x 3/4" Phillips Round Head Machine Screw
2	141403	1	24 VAC Transformer
3	151001	2	#8-32 Pal Nut
4	151000	*	#6-32 Pal Nut
5	136008	*	3-Position Fuse Block
6	150002	*	#6-32 x 1" Phillips Round Head Machine Screw
7**	136057	*	1/2-Amp (Slo-Blo) Fuse
8	150002	2	#6-32 x 1" Phillips Round Head Machine Screw
9	120715	1	30-Position Terminal Block
10	151000	2	#6-32 Pal Nut
11	122626	1	15-Pin Socket Connector
12	122705	11	Socket Terminal
13	122704	11	Pin Terminal
14	122625	1	15-Pin Socket Connector Only
	137025	1	6/15 Position Strain Relief ... Not Illustrated
15	122631	1	6-Pin Socket Connector
16	122705	3	Socket Terminal
17	122704	3	Pin Terminal
18	122630	1	6-Pin Connector Only
	137025	1	6/15 Position Strain Relief ... Not Illustrated
19	150309	1	#10-16 x 1/2" Hex Head TEK Crimpite Screw
20	121010	1	L-70 Ground Lug
21	132475	1	2-Pole Contactor
22	824828	1	RC Network with Connectors
23	150103	4	#8-32 x 3/4" Phillips Round Head Machine Screw
24	151001	4	#8-32 Pal Nut

\* For 115 VAC application quantity is 1 and for 208/230 VAC application quantity is 2.

\*\* Check fuse rating for verification.

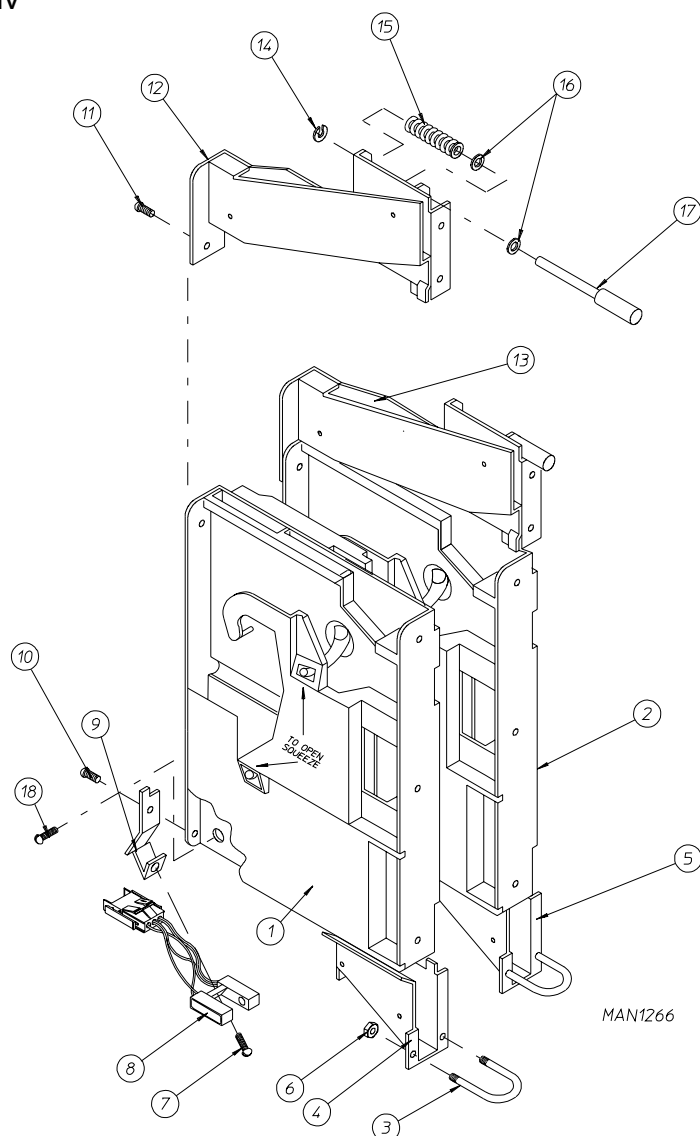
## 25¢ Coin Acceptor Component Listing



<u>Illus. No.</u>	<u>Part No.</u>	<u>Qty.</u>	<u>Description</u>
1	881930	1	AD-26 / AD-295 25¢ Coin Acceptor Body
2	154320	1	#4-40 x 11/16" x 1" U-Bolt
3	880800	1	AD-26 / AD-295 25¢ Coin Acceptor Lower Reject with Bracket Kit (includes illus. nos. 3 and 15)
	125720	1	AD-26 / AD-295 25¢ Coin Acceptor Lower Reject with Bracket Only
4	152016	2	#4-40 Hex Nut
5	150020	1	#4-40 x 5/16" Slotted Pan Head Machine Screw
6	137056	1	Optical Switch
7	137049	1	Optical Switch Mounting Bracket
8	150020	1	#4-40 x 5/16" Slotted Pan Head Machine Screw
9	150020	1	#4-40 x 5/16" Slotted Pan Head Machine Screw
10	125715	1	AD-26 / AD-295 25¢ Coin Acceptor Upper Assembly Complete (includes illus. nos. 10 through 14)
11	125706	1	3/16" Coin Acceptor Retaining Ring
12	125704	1	Coin Acceptor Spring
13	125705	2	Coin Acceptor Spacer
14	125703	1	Coin Acceptor Rod
15	150110	1	#8-32 x 1/4" Binding Head Phillips Machine Screw

# Dual Coin Acceptor Component Listing

For Export Models Only



Illus. No.	Part No.	Qty.	Description
1	125726	1	\$1 Canadian Coin Acceptor Body Only
	881931	1	1 English Pound (1£) Coin Acceptor Body Only
	125738	1	10 Danish Krone (10KR) Coin Acceptor Body Only
	881923	1	1 Dutch Guilder (1G) Coin Acceptor Body Only
2	882054	1	25¢ Canadian Coin Acceptor Body Only
	125731	1	5 Belgian Franc (5BF) Coin Acceptor Body Only
	125737	1	5 Danish Krone (5KR) Coin Acceptor Body Only
	881926	2	25¢ Dutch Guilder Coin Acceptor Body Only
3	154320	2	#4-40 x 11/16" x 1" U-Bolt
4	880801	1	Large Lower Reject with Bracket Kit (includes illus. nos. 4 and 18)
	125721	1	\$1 Canadian Coin Acceptor Lower Assembly Only
		1	50 English Pence (50P) Coin Acceptor Lower Assembly Only
		1	1 English Pound (1£) Coin Acceptor Lower Assembly Only
		1	20 Belgian Franc (20BF) Coin Acceptor Lower Assembly Only
		1	5 French Franc (5 FF) Coin Acceptor Lower Assembly Only
		1	10 Danish Krone (10KR) Coin Acceptor Lower Assembly Only
		1	1 Dutch Guilder (1G) Coin Acceptor Lower Assembly Only

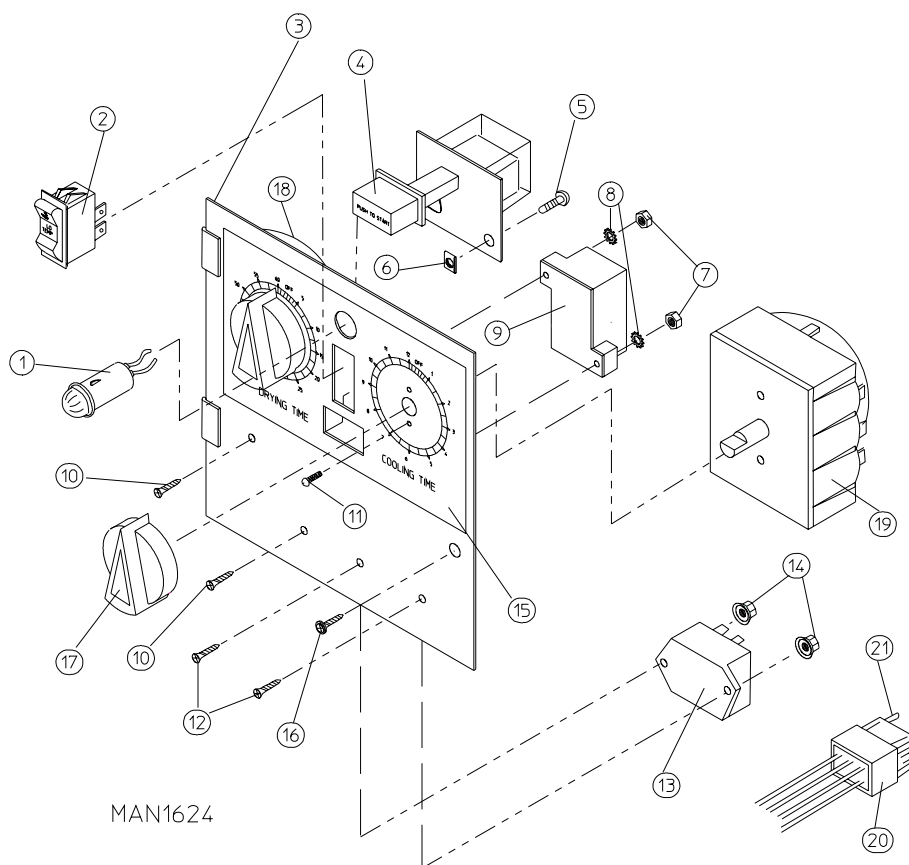


# Dual Coin Acceptor Component Listing

For Export Models Only

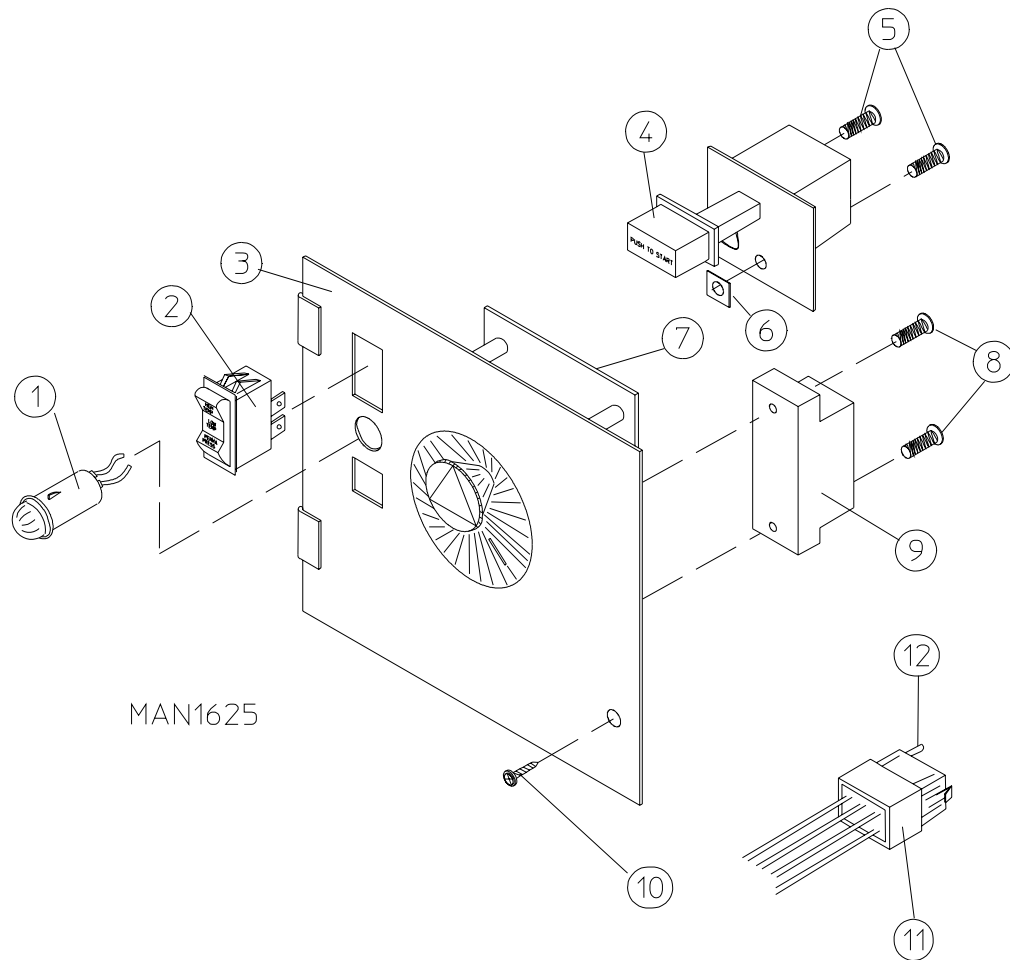
<u>Illus. No.</u>	<u>Part No.</u>	<u>Qty.</u>	<u>Description</u>
5	880800	1	Small Lower Reject with Bracket Kit (includes illus. nos. 5 and 18)
	125720	1	25¢ Canadian Coin Acceptor Lower Assembly Only
		1	20 English Pence (20P) Coin Acceptor Lower Assembly Only
		1	5 Belgian Franc (5BF) Coin Acceptor Lower Assembly Only
		1	25¢ Dutch Guilder Coin Acceptor Lower Assembly Only
	880801	1	Large Lower Reject with Bracket Kit (includes illus. nos. 5 and 18)
6	152016	4	#4-40 Hex Nut
7	150020	2	#4-40 x 5/16" Slotted Pan Head Machine Screw
8	137056	2	Optical Switch
9	137049	2	Optical Switch Mounting Bracket
10	150020	2	#4-40 x 5/16" Slotted Pan Head Machine Screw
11	150020	2	#4-40 x 5/16" Slotted Pan Head Machine Screw
12	125716	1	\$1 Canadian Coin Acceptor Upper Assembly Complete (includes illus. nos. 12 and 14 through 17)
		1	50 English Pence (50P) Coin Acceptor Upper Assembly Complete (includes illus. nos. 12 and 14 through 17)
		1	1 English Pound (1£) Coin Acceptor Upper Assembly Complete (includes illus. nos. 12 and 14 through 17)
		1	20 Belgian Franc (20BF) Coin Acceptor Upper Assembly Complete (includes illus. nos. 12 and 14 through 17)
		1	5 French Franc (5FF) Coin Acceptor Upper Assembly Complete (includes illus. nos. 12 and 14 through 17)
		1	10 Danish Krone (10KR) Coin Acceptor Upper Assembly Complete (includes illus. nos. 12 and 14 through 17)
		1	1 Dutch Guilder (1G) Coin Acceptor Upper Assembly Complete (includes illus. nos. 12 and 14 through 17)
13	125715	1	25¢ Canadian Coin Acceptor Upper Assembly Complete (includes illus. nos. 13 through 17)
		1	20 English Pence (20P) Coin Acceptor Upper Assembly Complete (includes illus. nos. 13 through 17)
		1	5 Belgian Franc (5BF) Coin Acceptor Upper Assembly Complete (includes illus. nos. 13 through 17)
		1	25¢ Dutch Guilder Coin Acceptor Upper Assembly Complete (includes illus. nos. 13 through 17)
	125716	1	2 French Franc (2FF) Coin Acceptor Upper Assembly Complete (includes illus. nos. 13 through 17)
		1	5 Danish Krone (5KR) Coin Acceptor Upper Assembly Complete (includes illus. nos. 13 through 17)
14	125706	2	3/16" Coin Acceptor Retainer Ring
15	125704	2	Coin Acceptor Spring
16	125705	4	Coin Acceptor Spacer
17	125703	2	Coin Acceptor Rod
18	150110	2	#8-32 x 1/4" Binding Head Phillips Machine Screw

# Dual Timer Control Panel Assembly



Illus. No.	Part No.	Qty.	Description
1	123005	1	Red Indicator Light – 24 VAC
2	122400	1	Rocker Heat Selector Switch – 24 VAC
3	880774	1	Dual Timer Control Panel Assembly Complete – 24 VAC (includes illus. nos. 1 through 21)
	880920	1	AD-26 / AD-295 Dual Timer Control Panel Only
4	131917	1	Push-To-Start Relay – 24 VAC
5	150207	2	#10-24 x 1/2" Round Head Machine Screw
6	154001	2	#10-24 Speed Nut
7	152000	2	#6-32 Hex Nut
8	153010	2	#6 Star Washer
9	120730	1	30-Position Terminal Block (for models mfd. as of May 2, 1993)
	120713	1	18-Position Terminal Block (for models mfd. prior to May 2, 1993)
10	150002	2	#6-32 x 1" Round Head Machine Screw
11	150110	4	#8-32 x 1/4" Phillips Head Machine Screw
12	150001	2	#6-32 x 1/2" Round Head Machine Screw
13	131931	1	Dual Timer Relay – 24 VAC
14	151000	2	#6-32 Pal Nut
15	112050	1	Dual Timer Label
16	150309	1	#10-16 x 1/2" Hex Head TEK Crimpite Screw
17	124103	2	Arrow Timer Knob
18	124027	1	60-Minute Timer – 24 VAC
19	124028	1	15-Minute Timer – 24 VAC
20	122602	1	9-Pin Connector
21	122700	8	Pin Terminal Only
—	122801	1	Pin / Socket Extraction Tool

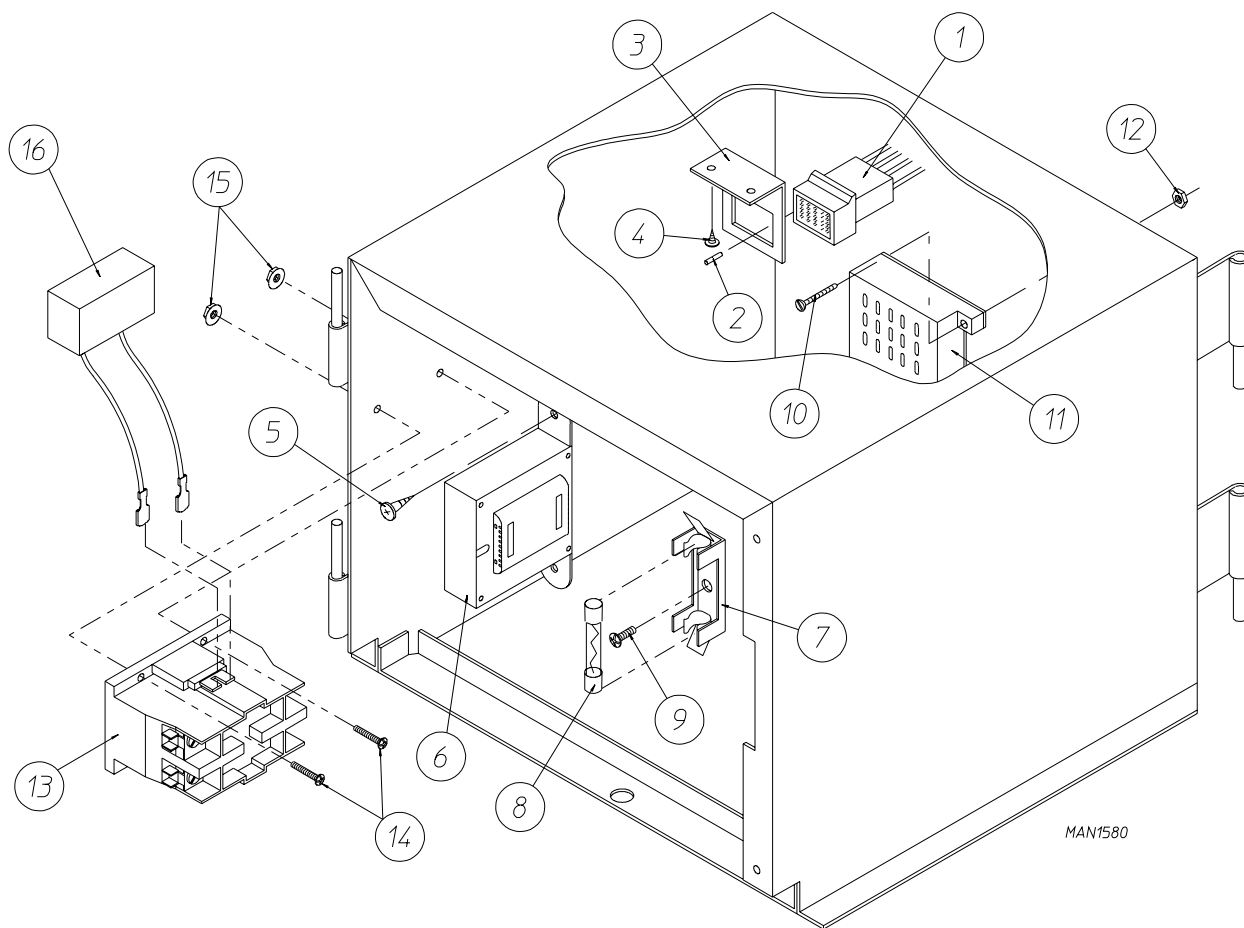
# Non-Microprocessor Coin Control Panel Assembly



Illus. No.	Part No.	Qty.	Description
1	123005	1	Red Indicator Light – 24 VAC
2	122400	1	Rocket Heat Selector Switch – 24 VAC
3	880900	1	Coin Meter Control Panel Assembly Complete Less Meter – 24 VAC (includes illus. nos. 1 through 6 and 8 through 12)
	880899	1	Coin Meter Control Panel Only
4	131917	1	Push-To-Start Relay – 24 VAC
5	150207	2	#10-24 x 1/2" Phillips Round Head Machine Screw
6	154001	2	#10-24 Speed Nut
7*	125601	1	25¢ Coin Meter (Specify Timing) – 24 VAC
8	150303	2	#4 x 3/4" Pan Head "A" Screw
9	120712	1	12-Position Terminal Block
10	150415	1	#10-16 x 1/2" Phillips Round Head Crimp-tite Screw
11	122602	1	9-Pin Male Connector
12	122700	6	Pin Terminal Only
—	122801	1	Pin / Extraction Tool

\* Consult factory for coin meters not listed.

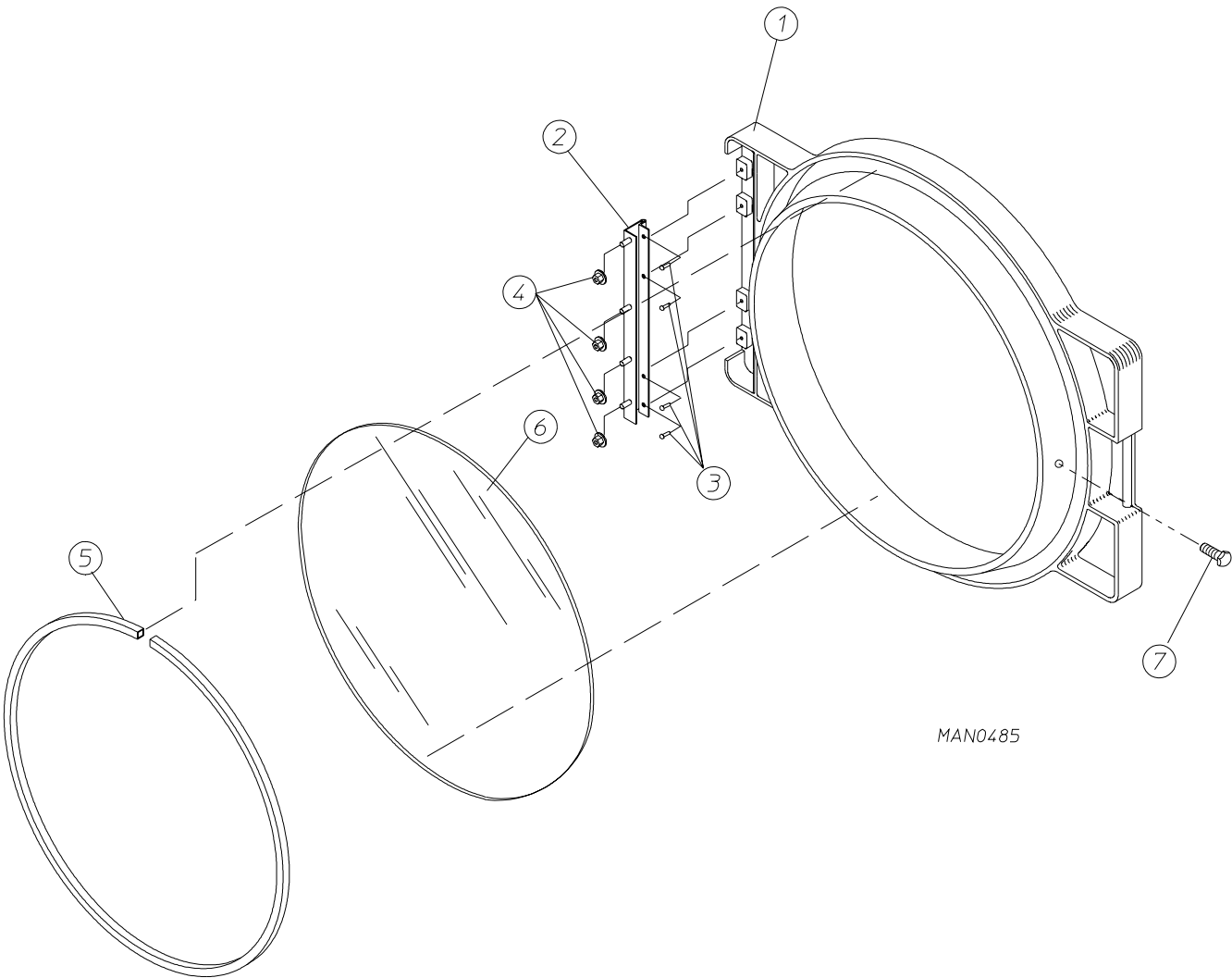
# Non-Microprocessor Control Box Assembly



Illus. No.	Part No.	Qty.	Description
1	122603	1	9-Pin Socket Female Connector
2	122701	6	Socket Terminal Only
	122801	1	Pin / Socket Extraction Tool
3	315010	1	9-Pin Connector Bracket
4	150300	2	#10 x 1/2" Hex Washer TEK Screw
5	150300	2	#10 x 1/2" Hex Washer TEK Screw
6	141403	1	24Vac Transformer
7	136008	*	Fuse Block / Strip
8**	136057	*	1/2-Amp (Slo-Blo) Fuse
9	150301	*	#8-18 x 7/16" Phillips Pan Head TEK Screw
10	150002	2	#6-32 x 1" Slotted Round Head Machine Screw
11	120715	1	30-Position Terminal Block
12	151000	2	#6-32 Pal Nut
13	132475	1	Motor Contactor
14	150103	4	#8-32 x 3/4" Phillips Round Head Machine Screw
15	151001	4	#8-32 Pal Nut
16	824828	1	Filter Capacitor

\* For 115 VAC application quantity is 1 and for 208/230 VAC application quantity is 2.

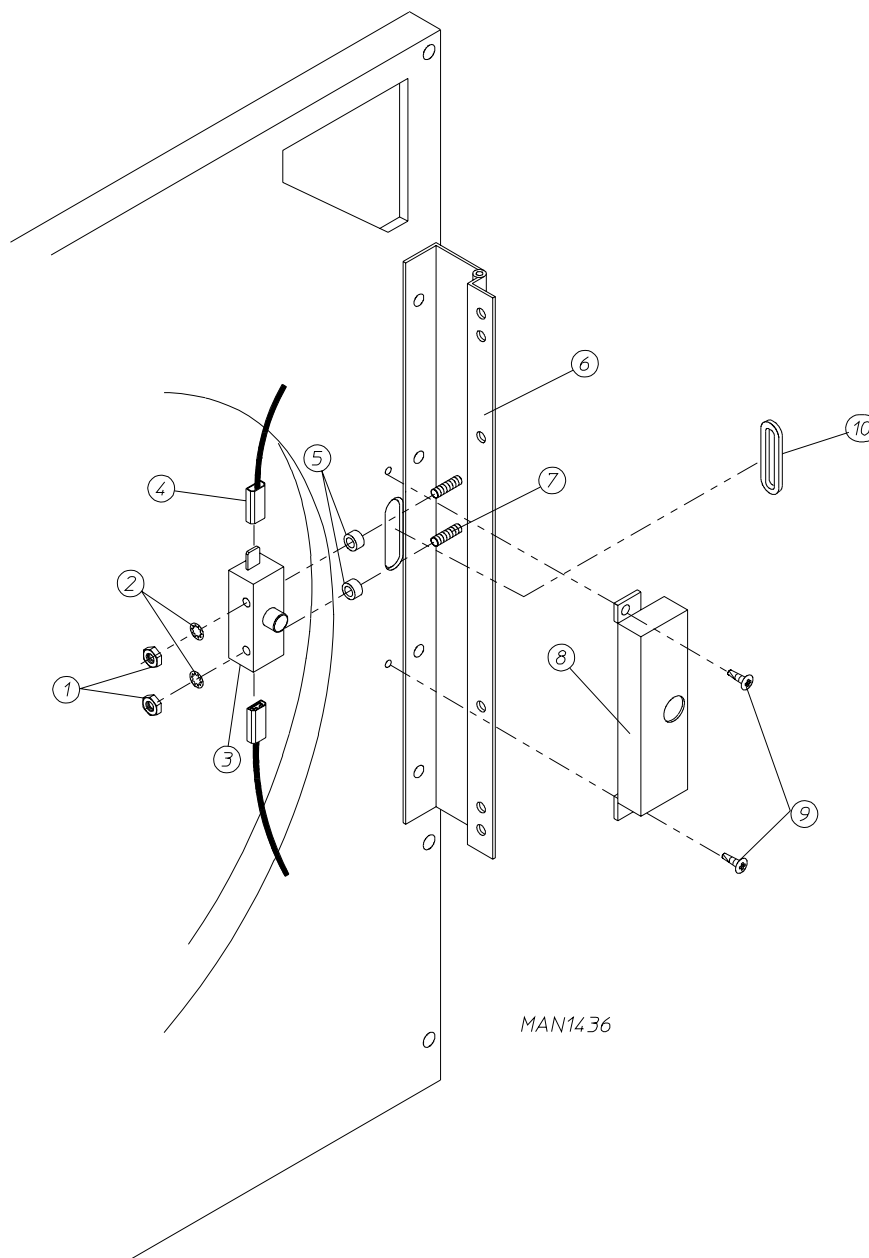
\*\* Check fuse rating for verification.



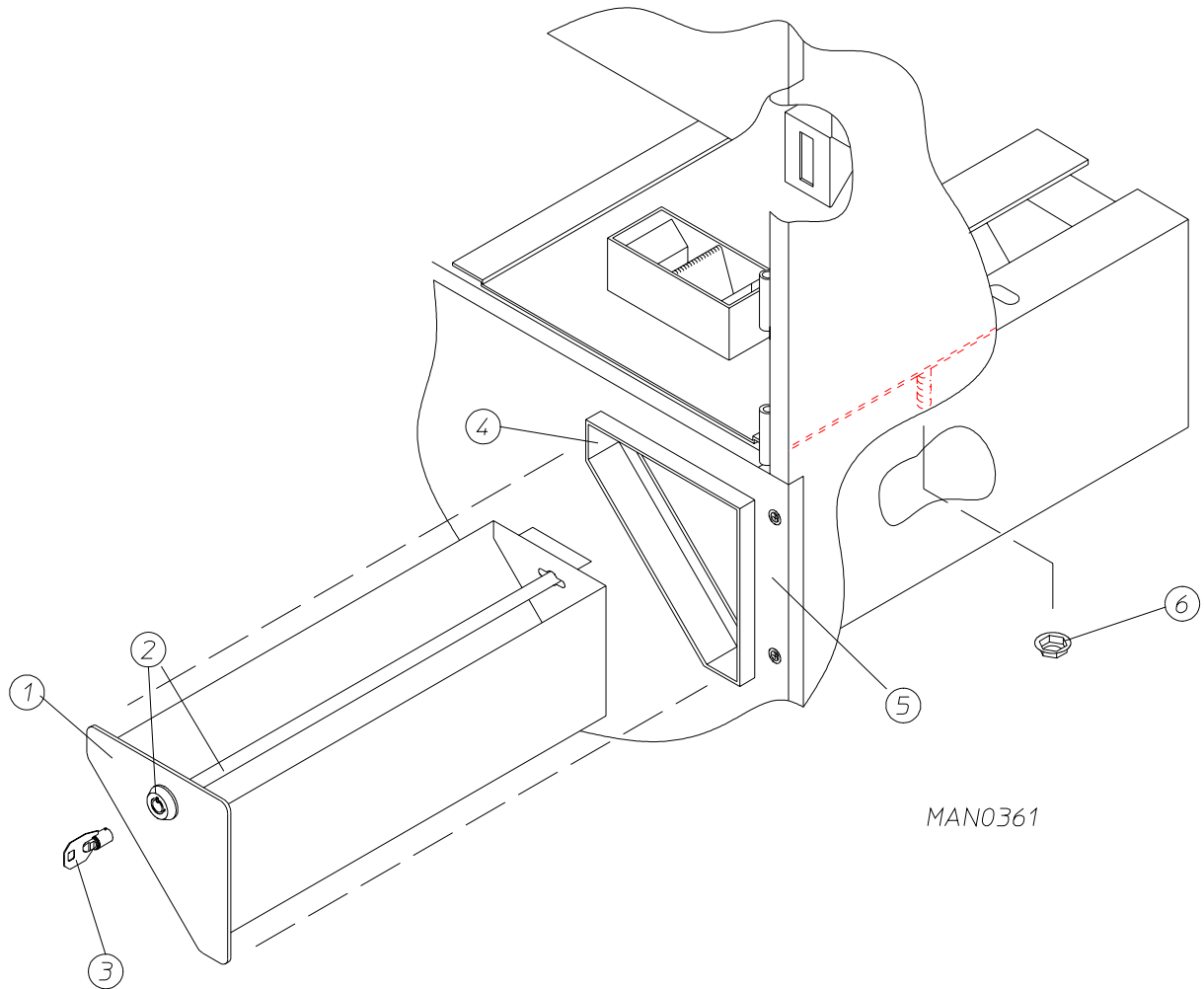
MAN0485

<u>Illus. No.</u>	<u>Part No.</u>	<u>Qty.</u>	<u>Description</u>
1	882991	1	Black Main Door Assembly Complete (includes illus. nos. 1 and 5 through 7)
2	800448	1	12-1/2" Stainless Steel Main Door Hinge
3	150410	4	#10-24 x 3/8" Phillips Pan Head Taptite Screw
4	152014	4	1/4-20 Free Spin Wash Nut
5	102349	1	Plastic Main Door Gasket Only
	102354	1	Stainless Steel Main Door Gasket Only
6	102210	1	20-7/16" Door Glass Only
	170730	1	Adhesive for Door Glass and Gasket (10.3 oz. Cartridge)
7	150431	1	Main Door Latch Screw (#10 x 7/16" Dome Head Screw)

# Main Door Switch Assembly



Illus. No.	Part No.	Qty.	Description
1	152013	2	#6-32 Hex Nut
2	153008	2	#6 Lock Washer
3	137005	1	Single Pole Door Switch
4	121028	2	Insulated Female Terminal
5	154281	2	3/8" Standard Nylon Spacer
6	800448	1	12-1/2" Stainless Steel Main Door Hinge (includes illus. nos. 6 and 7)
7	153565	2	#6 Clinch Stud
8	313218	1	Main Door Switch Housing
9	150201	2	#10-32 x 1/4" Phillips Pan Head TEK Screw
10	121405	1	Rubber Grommet

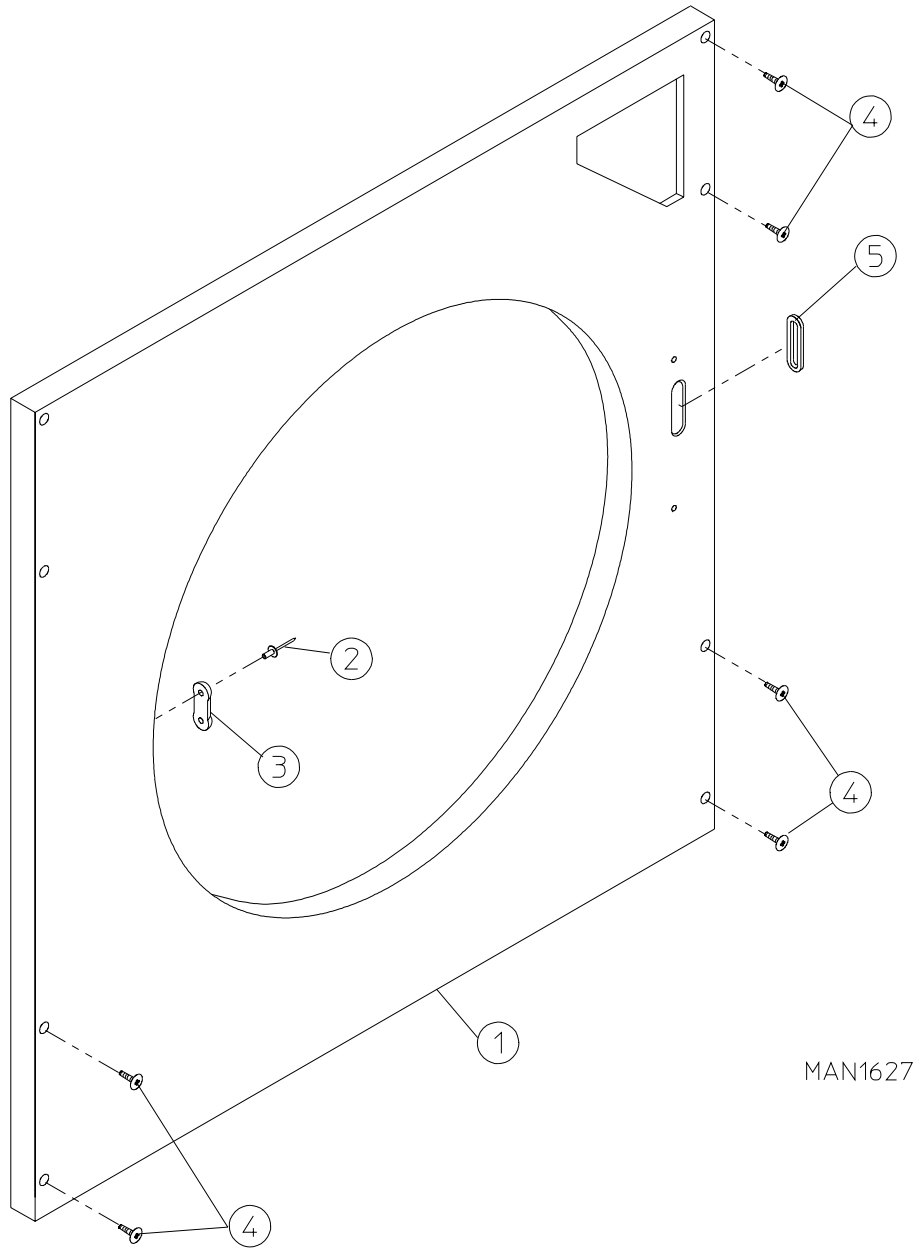


<u>Illus. No.</u>	<u>Part No.</u>	<u>Qty.</u>	<u>Description</u>
1*	880118	1	AD-26 / AD-295 Coin Box Assembly Only Less Lock
	880901	1	AD-26 / AD-295 Coin Box Faceplate Only
2	160036**	1	ACE® Lock Assembly with Key
3	160136**	1	ACE® Key
4*	880117	1	AD-26 / AD-295 Coin Vault Assembly Only Less Lock (includes illus. nos. 1, 4, and 6)
5*	—	1	AD-26 / AD-295 Front Panel Assembly <b>(refer to Coin Front Panel Assembly on page 24)</b>
6	152014	4	1/4-20 Free Spin Wash Nut

\* Specify color when ordering.

\*\* Specify key number when ordering.

# Coin Front Panel Assembly

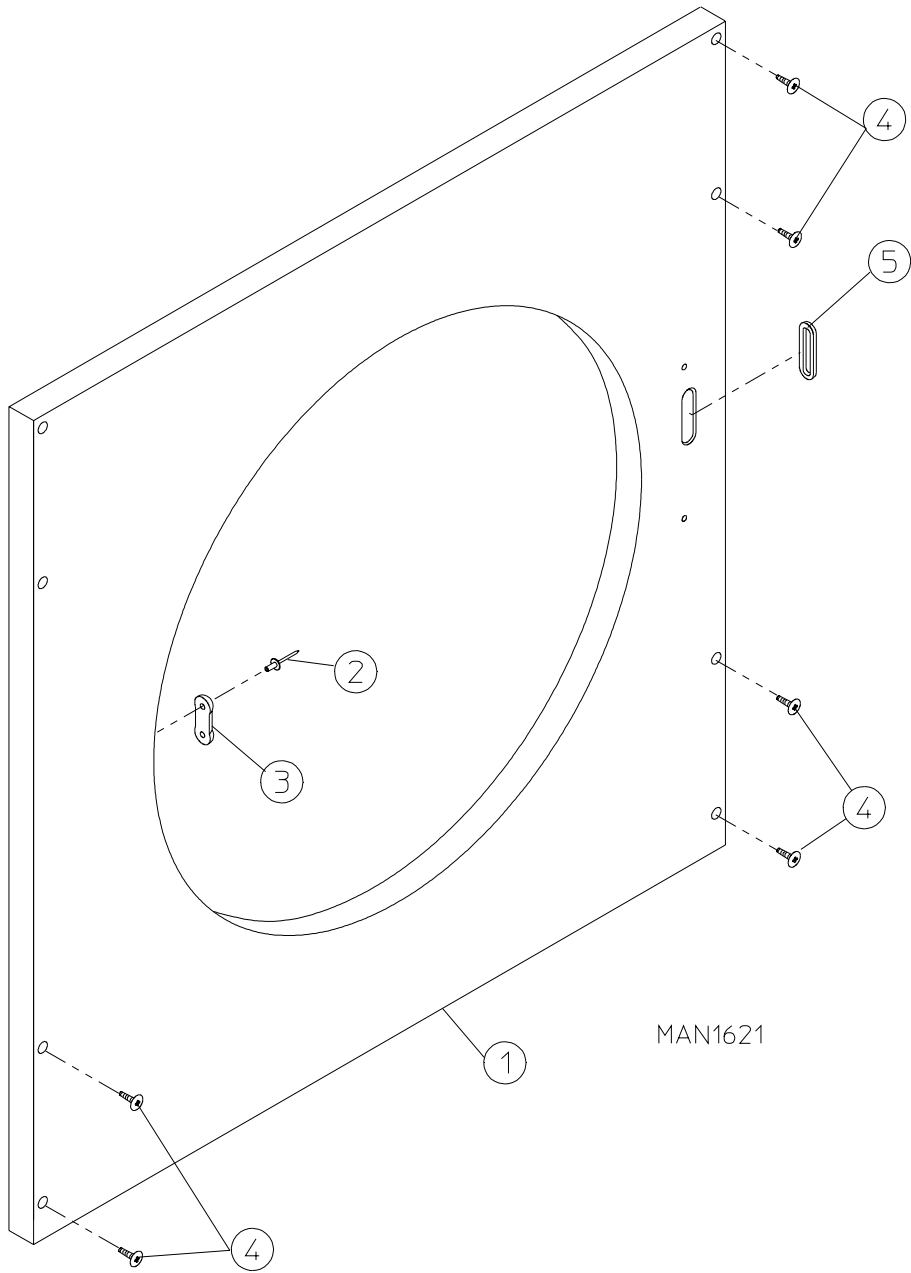


Illus. No.	Part No.	Qty.	Description
1*	880908	1	AD-26 / AD-295 Front Panel Assembly Complete (includes illus. nos. 1 through 3 and 5)
2	154215	2	5/32" x 1/4" Pop Rivet
3	170330	1	Friction Door Latch
4	150309	1	#10-16 x 1/2" Hex Head TEK Crimptite Screw
5	121405	1	Rubber Grommet

\* Specify color when ordering.



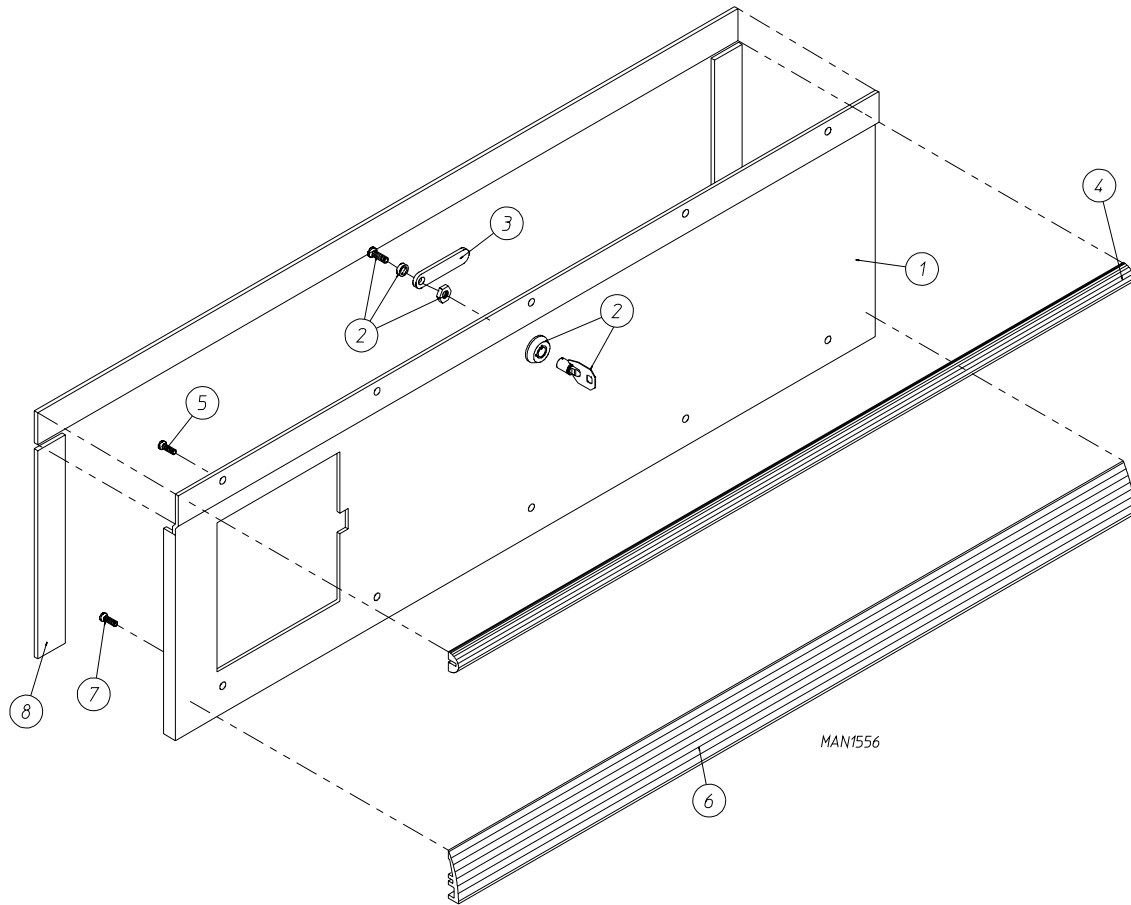
# Non-Coin Front Panel Assembly



Illus. No.	Part No.	Qty.	Description
1*	880919	1	AD-26 / AD-295 Non-Coin Front Panel Assembly Complete (includes illus. nos. 1 through 3 and 5)
2	154215	2	1/8" Pop Rivet
3	170330	1	Friction Door Latch
4	150309	1	#10-16 x 1/2" Hex Head TEK Crimptite Screw
5	121405	1	Rubber Grommet

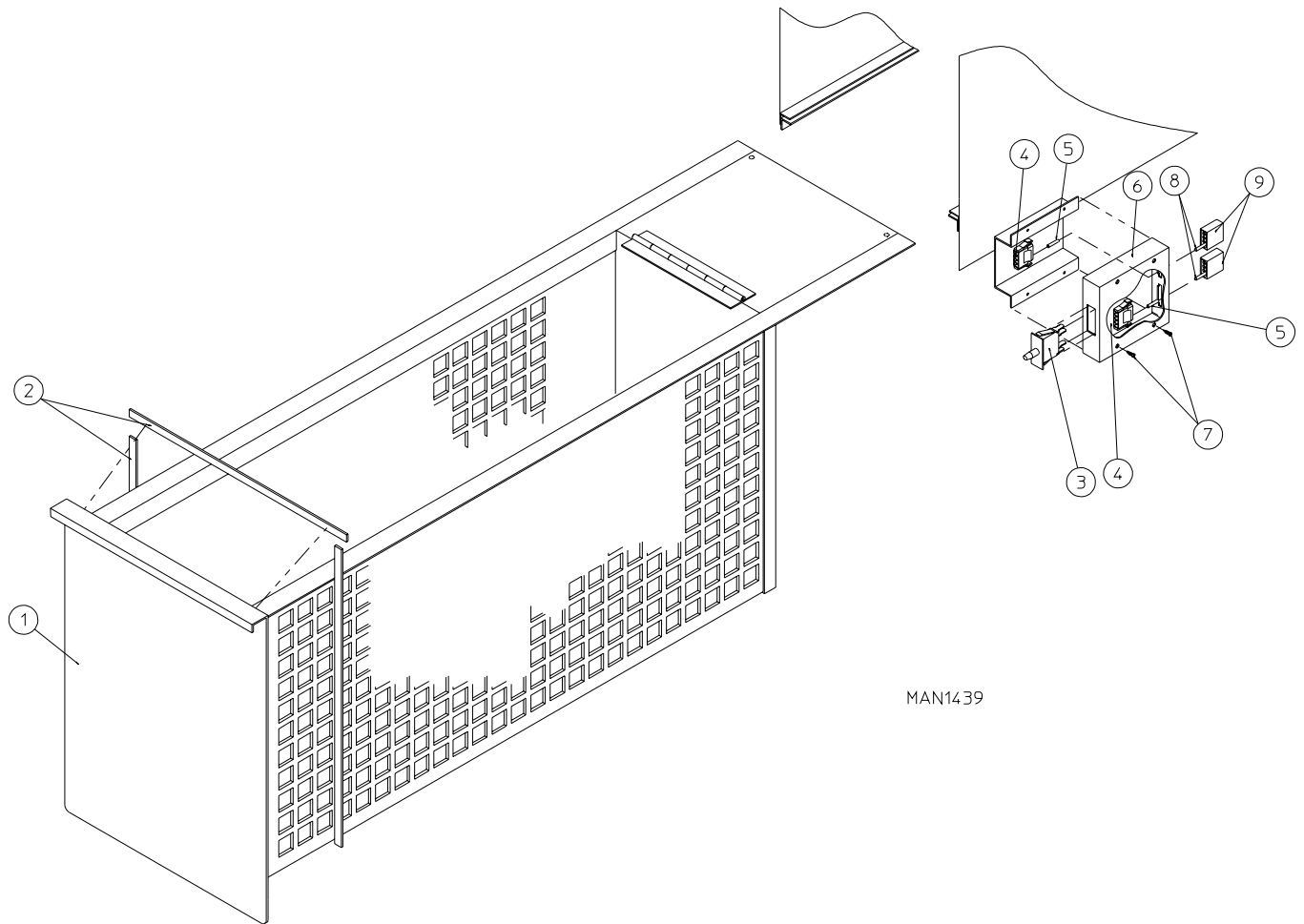
\* Specify color when ordering.

# Lint Door Assembly



Illus. No.	Part No.	Qty.	Description
1	880248*	1	AD-26 / AD-295 Lint Door with Trim Less Locks (includes illus. nos. 1, and 4 through 8)
	880889*	1	AD-26 / AD-295 Lint Door Only
2	160015	1	MK-100 Lock Assembly Only
	160104	1	MK-100 Key Only
3	160016	1	Lock Cam
4	180316	1	AD-26 / AD-295 Upper Door Trim
5	150201	5	#10-32 x 1/4" Phillips Pan Head TEK Screw
6	180315	1	AD-26 / AD-295 Lower Door Trim
7	150201	5	#10-32 x 1/4" Phillips Pan Head TEK Screw
8	117604	7	1/8" x 3/8" Neoprene Sponge Tape (sold by the foot)

\* Specify color when ordering.



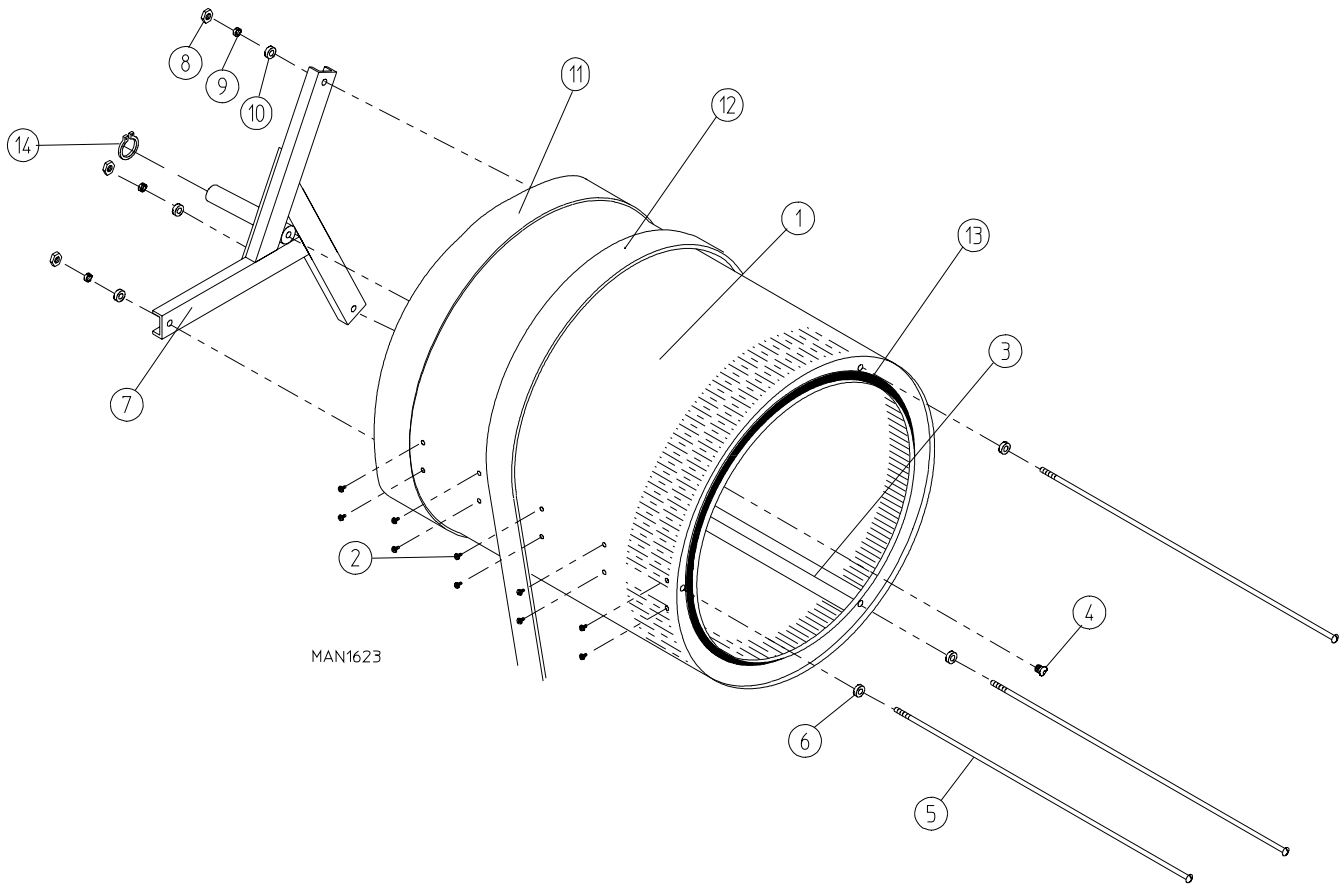
MAN1439

<u>Illus. No.</u>	<u>Part No.</u>	<u>Qty.</u>	<u>Description</u>
1*	880909	1	AD-26 Lint Basket Assembly (includes illus. nos. 1 and 2)
	850827	1	AD-295 Lint Basket Assembly (includes illus. nos. 1 and 2)
2	117604	4	Noise Suppressor Tape (sold by the foot)
3	122116	1	Lint Door Switch – 24 VAC
4	122605	1	4-Pin Socket Connector
5	122701	4	Socket Terminal
6	880921	1	AD-26 / AD-295 Lint Basket Switch Box Assembly (includes illus. nos. 3 through 6)
7	150301	4	#8-18 x 7/16" Phillips Pan Head TEK Screw
8	122700	8	Pin Terminal
9	122604	2	4-Pin Connector

\* Specify color when ordering.

# AD-26 Tumbler / Support Assemblies

For Models Mfd. as of August 17, 1998

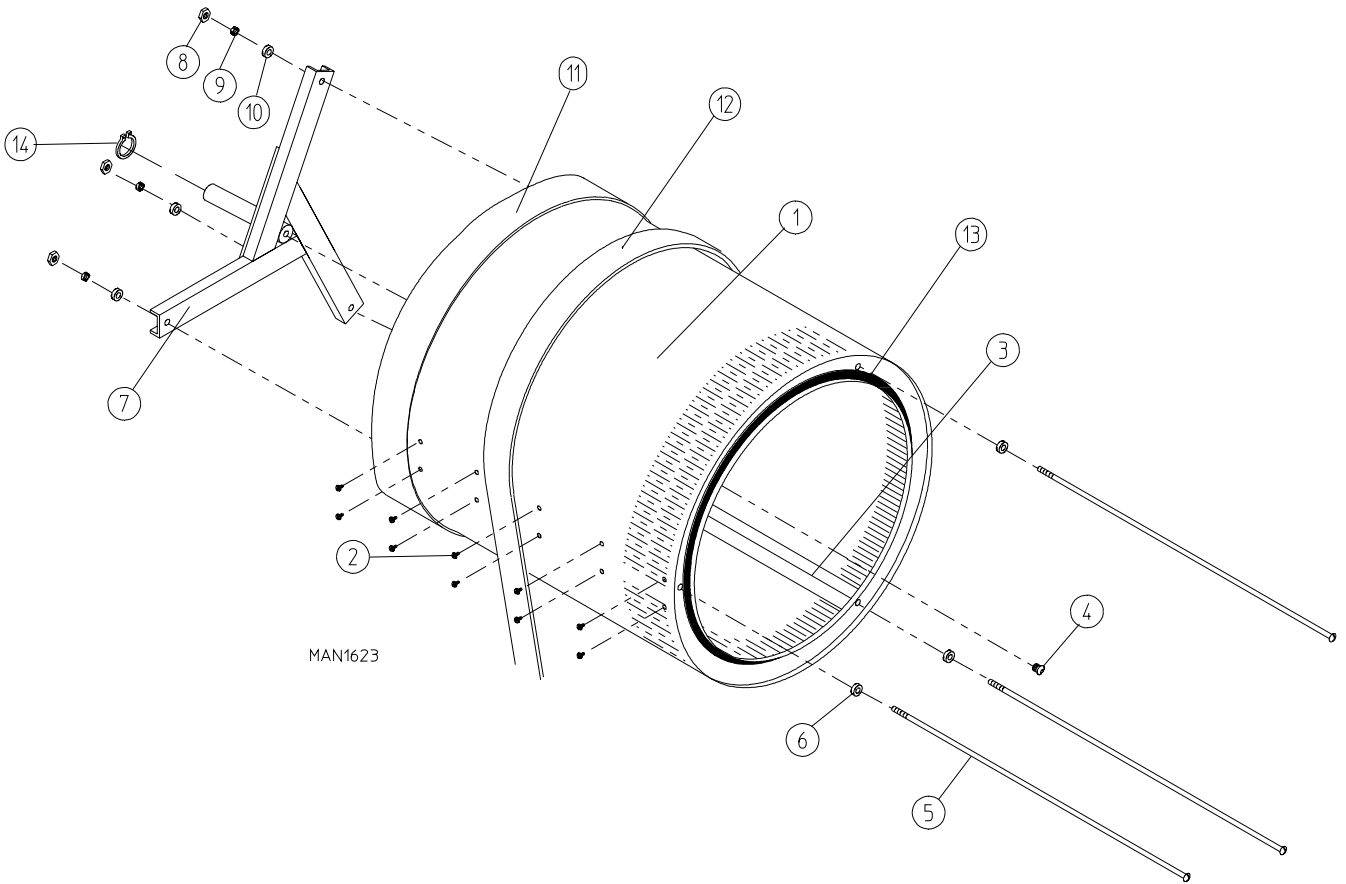


Illus. No.	Part No.	Qty.	Description
1	800835	1	AD-26 Tumbler and Support Assembly Complete with Felt Collars (includes illus. nos. 1 through 11 and 13)
	800718*	1	AD-26 Tumbler Only without Felt Collars (includes illus. nos. 1 through 3)
2	150415	30	#10-16 x 1/2" Phillips Round Head Crimpite Screw
3	301318	2	AD-26 Short Tumbler Rib Only
	301317	1	AD-26 Tall Tumbler Rib Only
4	150518	1	5/16-18 x 3/8" Socket Button Head Screw
5	100916	3	3/8-16 x 25" Tie Rod
6	153003	3	3/8" x 1-1/2" Fender Washer
7	850066	1	Tumbler Support
8	152004	3	5/16-18 Hex Nut
9	153002	3	5/16" Lock Washer
10	153001	3	5/16" Flat Washer
11	115999	1	Felt Collar Only
	401010	1	#847 Adhesive for Felt Collar (5 ounce tube)
12	100139	1	12-Rib 120" Poly "J" Belt <b>(refer to 12-Rib 120" [J] Poly Belt Arrangement on page 43)</b>
13	115992	1	Inner Ring Felt Collar
14	100802	1	1-3/8" Retaining Ring

\* Felt collars are not included and must be ordered separately.

# AD-26 Tumbler / Support Assemblies

For Models Mfd. prior to August 17, 1998

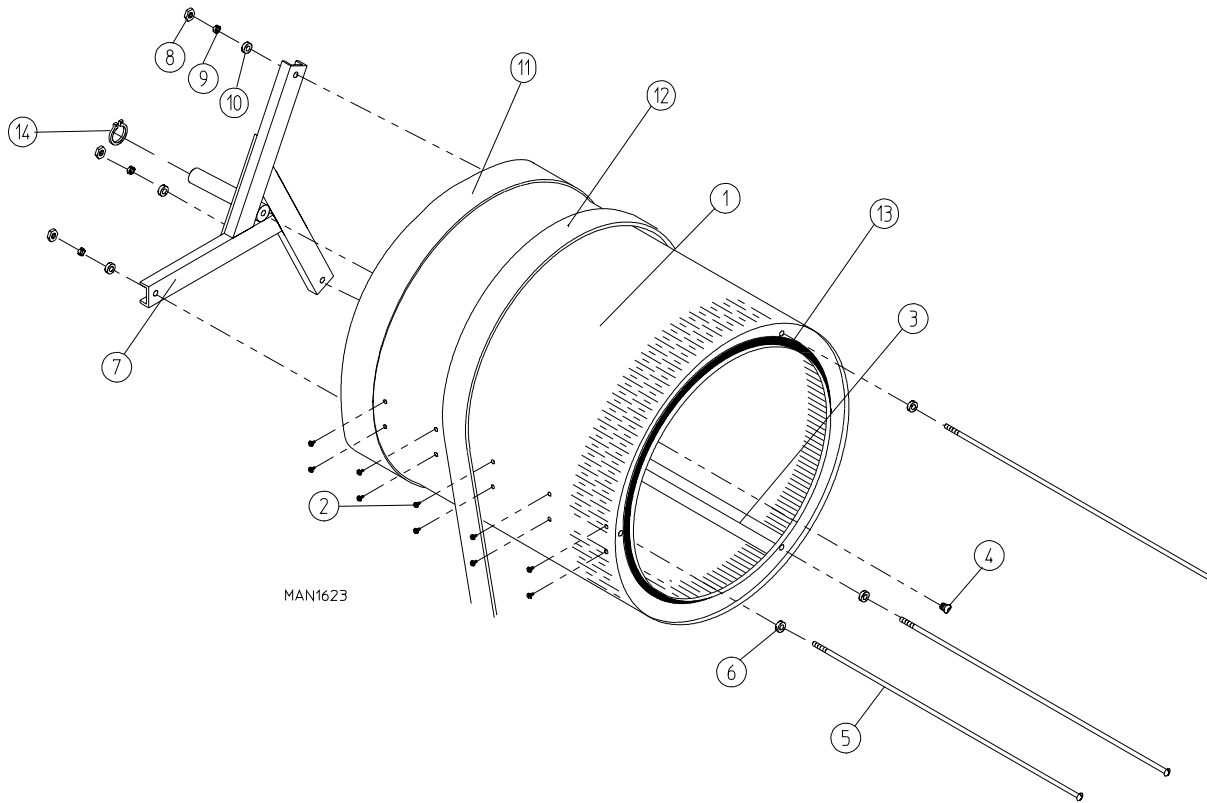


Illus. No.	Part No.	Qty.	Description
1	800835	1	AD-26 Tumbler and Support Assembly Complete with Felt Collars (includes illus. nos. 1 through 11 and 13)
	800718*	1	AD-26 Tumbler Only without Felt Collars (includes illus. nos. 1 through 3)
2	150415	30	#10-16 x 1/2" Phillips Round Head Crimptite Screw
3	301318	2	AD-26 Short Tumbler Rib Only
	301317	1	AD-26 Tall Tumbler Rib Only
4	150518	1	5/16-18 x 3/8" Socket Button Head Screw
5	882051	3	5/16-18 x 25" Tie Rod
6	153003	3	3/8" x 1-1/2" Fender Washer
7	850061	1	Tumbler Support
8	152004	3	5/16-18 Hex Nut
9	153002	3	5/16" Lock Washer
10	153001	3	5/16" Flat Washer
11	115999	1	Felt Collar Only
	401010	1	#847 Adhesive for Felt Collar (5 ounce tube)
12	100139	1	12-Rib 120" Poly "J" Belt <b>(refer to 12-Rib 120" [J] Poly Belt Arrangement on page 43)</b>
13	115992	1	Inner Ring Felt Collar
14	100802	1	1-3/8" Retaining Ring

\* Felt collars are not included and must be ordered separately.

# AD-295 Tumbler / Support Assemblies

For Models Mfd. as of November 2, 1998

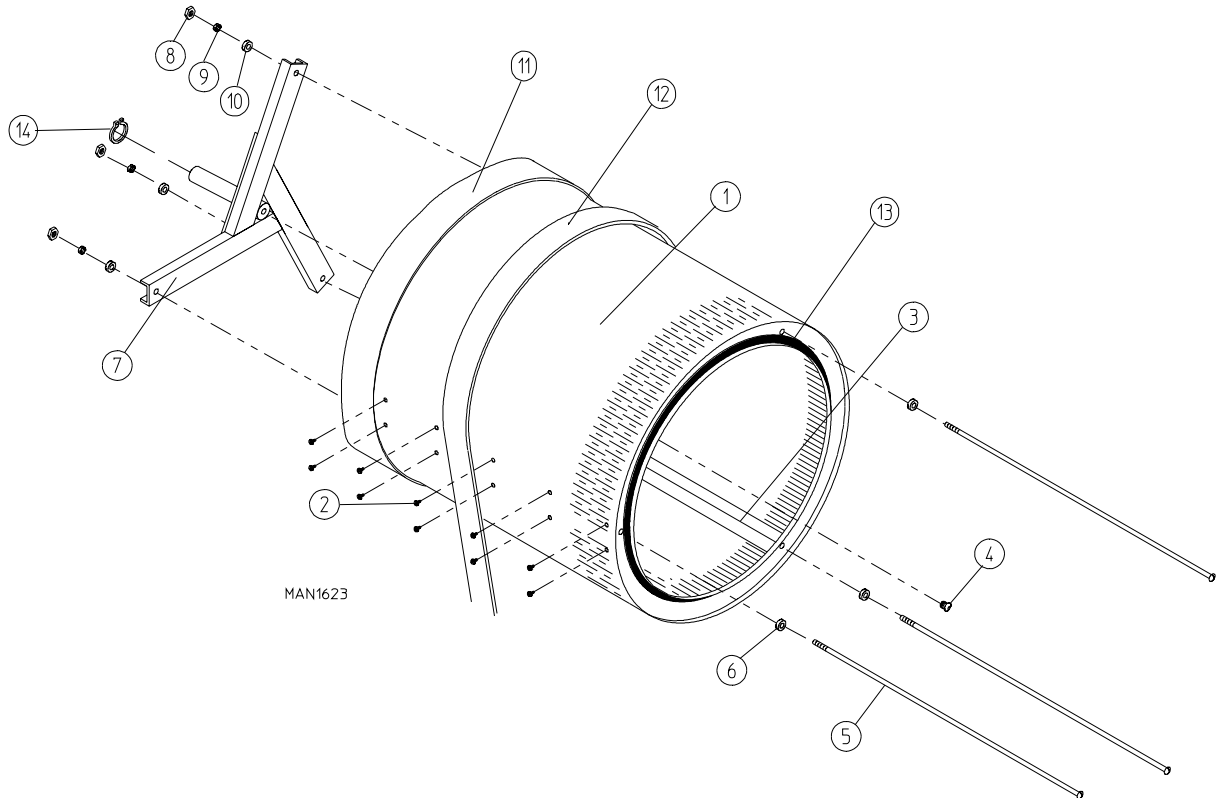


Illus. No.	Part No.	Qty.	Description
1	800832	1	AD-295 Tumbler and Support Assembly Complete with Felt Collars (includes illus. nos. 1 through 11 and 13)
	800892		AD-295 Stainless Steel Tumbler and Support Assembly Complete with Felt Collars (includes illus. nos. 1 through 11 and 13)
	800722*	1	AD-295 Tumbler Only without Felt Collars (includes illus. nos. 1 through 3)
	800842*	1	AD-295 Stainless Steel Tumbler Only without Felt Collars (includes illus. nos. 1 through 3)
2	150415	30	#10-16 x 1/2" Phillips Round Head Crimpite Screw
3	301315	2	AD-295 Short Tumbler Rib Only
	301316	1	AD-295 Tall Basket Rib (Tumbler) Only
	301414	2	AD-295 Stainless Steel Short Tumbler Rib Only
	301415	1	AD-295 Stainless Steel Tall Basket Rib (Tumbler) Only
4	150518	1	5/16-18 x 3/8" Socket Button Head Screw
5	882050	3	5/16-18 x 31" Tie Rod
6	153001	3	5/16" Flat Washer
7	850066	1	Tumbler Support
8	152004	3	5/16-18 Hex Nut
9	153002	3	5/16" Lock Washer
10	153001	3	5/16" Flat Washer
11	116003	1	Felt Collar Only
	401010	1	#847 Adhesive for Felt Collar (5 ounce tube)
12	100139	1	12-Rib 120" Poly "J" Belt <b>(refer to 12-Rib 120" [J] Poly Belt Arrangement on page 43)</b>
13	115992	1	Inner Ring Felt Collar
14	100802	1	1-3/8" Retaining Ring

\* Felt collars are not included and must be ordered separately.

# AD-295 Tumbler / Support Assemblies

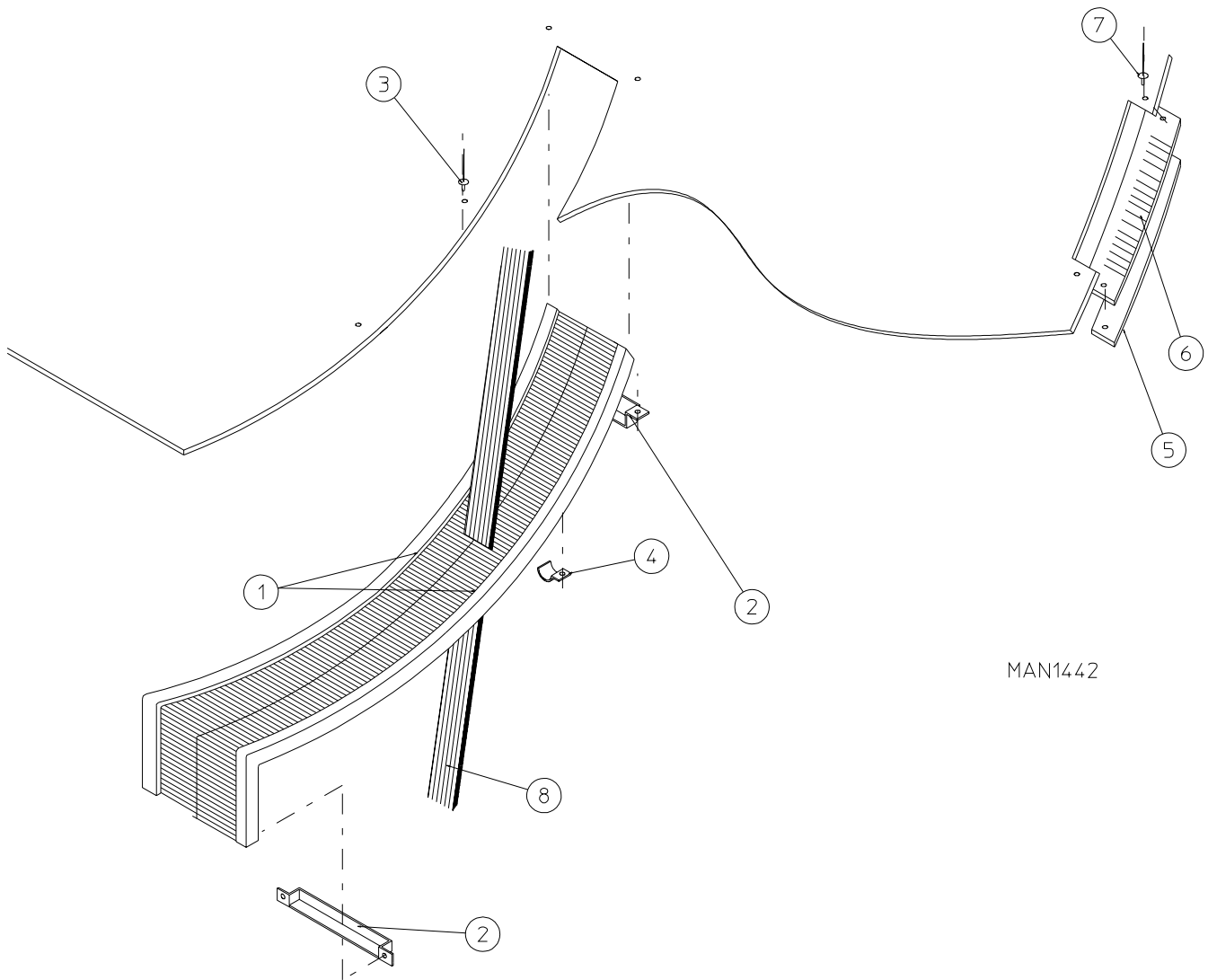
For Models Mfd. prior to November 2, 1998



Illus. No.	Part No.	Qty.	Description
1	800832	1	AD-295 Tumbler and Support Assembly Complete with Felt Collars (includes illus. nos. 1 through 11 and 13)
	800892		AD-295 Stainless Steel Tumbler and Support Assembly Complete with Felt Collars (includes illus. nos. 1 through 11 and 13)
	800722*	1	AD-295 Tumbler Only without Felt Collars (includes illus. nos. 1 through 3)
	800842*	1	AD-295 Stainless Steel Tumbler Only without Felt Collars (includes illus. nos. 1 through 3)
2	150415	30	#10-16 x 1/2" Phillips Round Head Crimpite Screw
3	301315	2	AD-295 Short Tumbler Rib Only
	301316	1	AD-295 Tall Basket Rib (Tumbler) Only
	301414	2	AD-295 Stainless Steel Short Tumbler Rib Only
	301415	1	AD-295 Stainless Steel Tall Basket Rib (Tumbler) Only
4	150518	1	5/16-18 x 3/8" Socket Button Head Screw
5	882050	3	5/16-18 x 31" Tie Rod
6	153001	3	5/16" Flat Washer
7	850061	1	Tumbler Support
8	152004	3	5/16-18 Hex Nut
9	153002	3	5/16" Lock Washer
10	153001	3	5/16" Flat Washer
11	116003	1	Felt Collar Only
	401010	1	#847 Adhesive for Felt Collar (5 oz. tube)
12	100139	1	12-Rib 120" Poly "J" Belt <b>(refer to 12-Rib 120" [J] Poly Belt Arrangement on page 43)</b>
13	115992	1	Inner Ring Felt Collar
14	100802	1	1-3/8" Retaining Ring

\* Felt collars are not included and must be ordered separately.

# Tumbler Brush Assembly

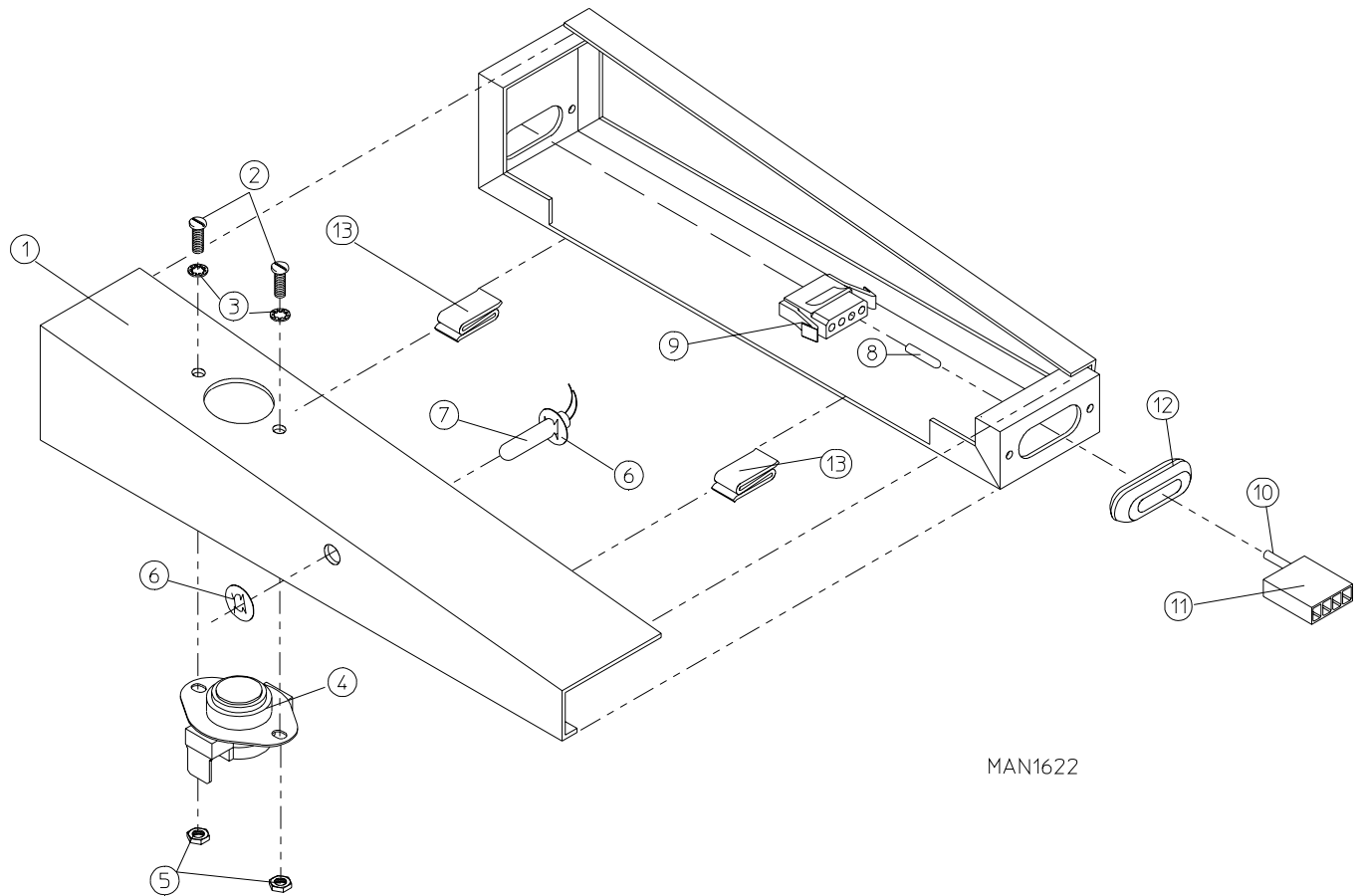


MAN1442

Illus. No.	Part No.	Qty.	Description
1	170196	2	AD-26 / AD-295 Drive Belt Sealing Brush
2	317652	2	AD-26 / AD-295 Sealing Brush Clip End
3	154210	6	5/16" x 3/16" Pop Rivet
4	120117	2	3/8" EMT Hanger
5	317650	1	AD-26 / AD-295 Wrapper Gasket Strip
6	102325	1	8-1/2" x 1-1/2" x 1/8" Wrapper Channel Gasket
7	154210	2	5/32" x 3/16" Pop Rivet
8	100139	1	12-Rib 120" Poly "J" Belt (refer to 12-Rib 120" [J] Poly Belt Arrangement on page 43)



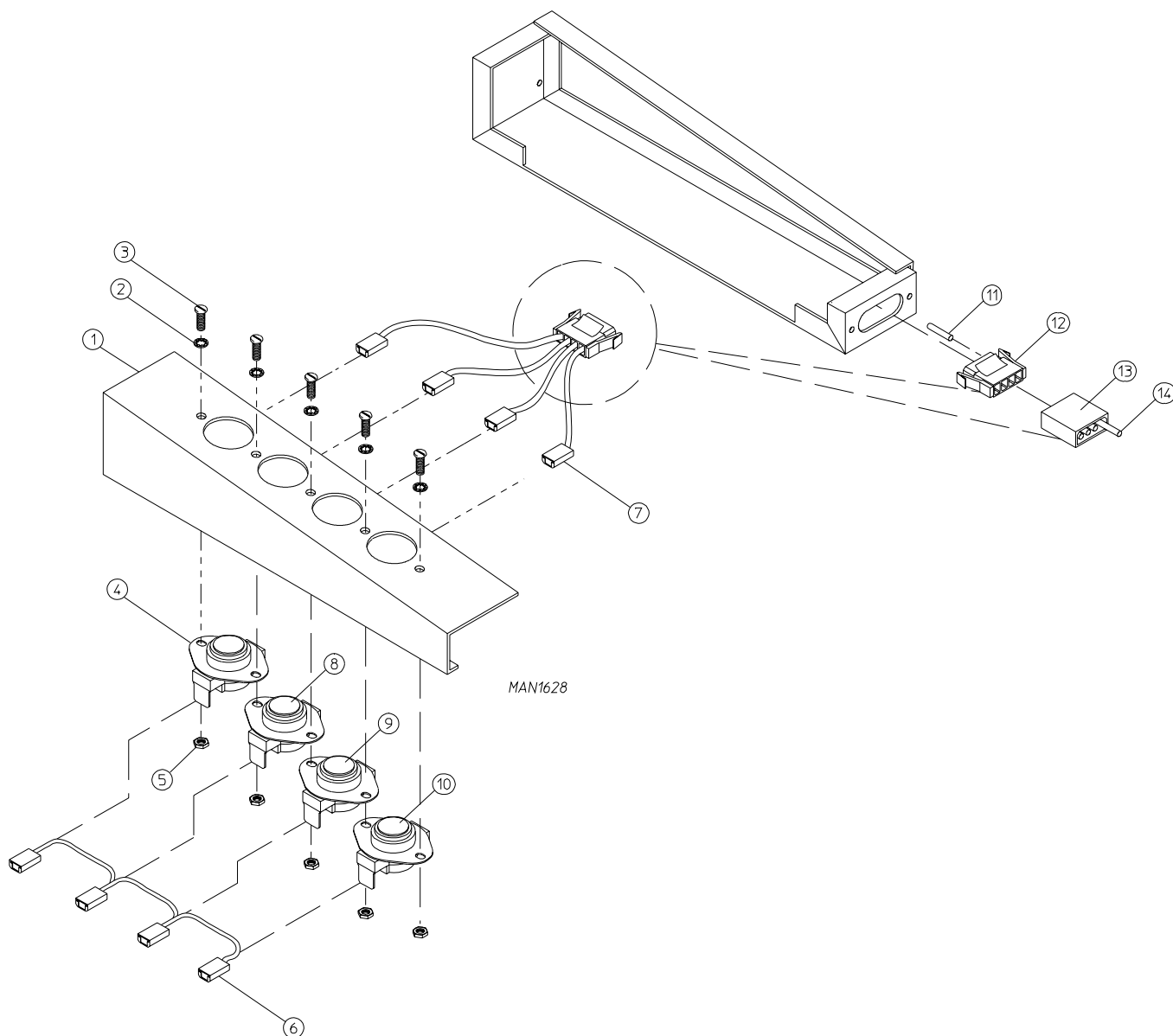
# Microprocessor Temperature Sensor Bracket Assembly



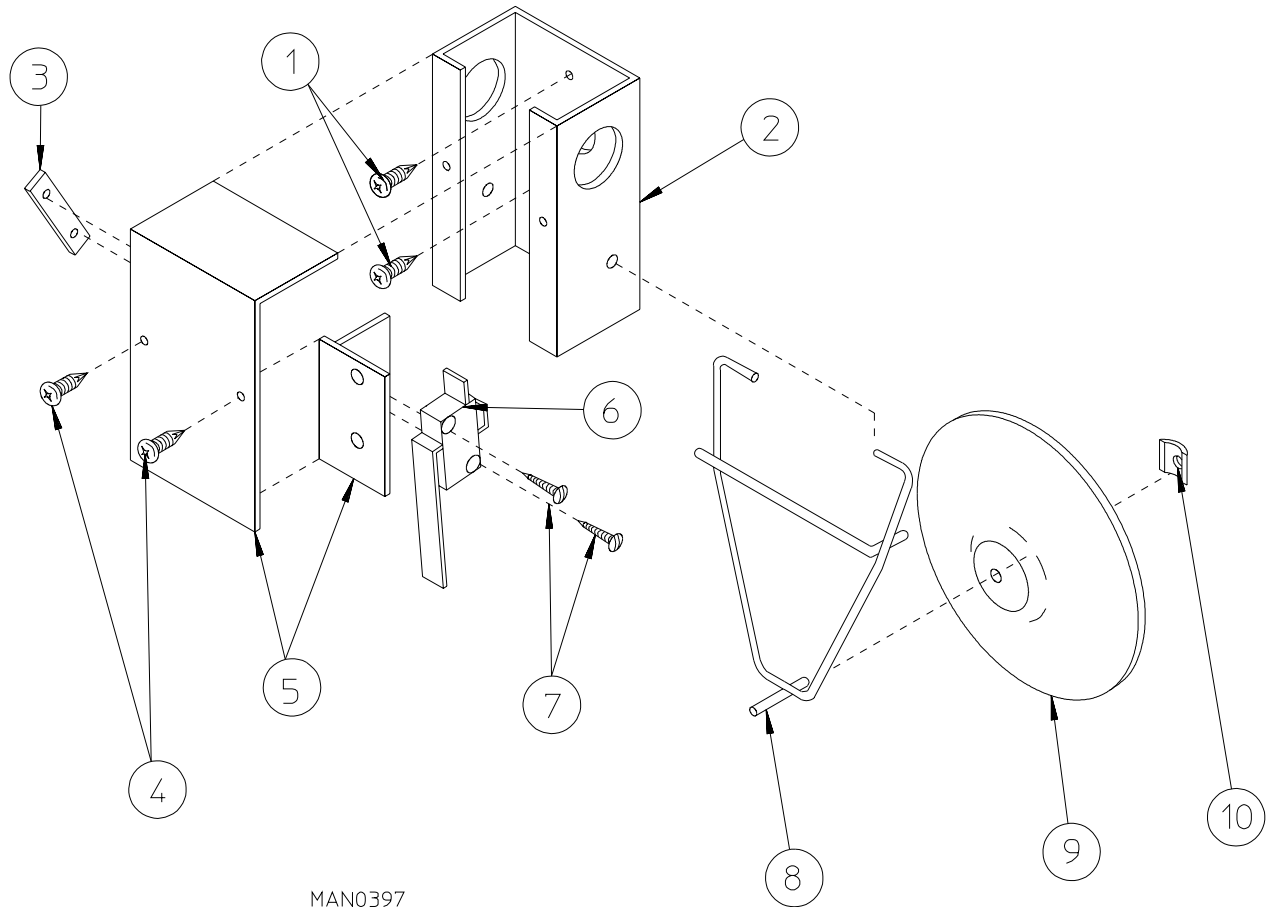
MAN1622

Illus. No.	Part No.	Qty.	Description
1	880925	1	AD-26 / AD-295 Microprocessor Temperature Sensor Bracket Assembly Complete (includes illus. nos. 1 through 9, 12, and 13)
	305016	1	AD-26 / AD-295 Temperature Sensor Bracket Top Only
2	150000	2	#6-32 x 1/4" Round Head Machine Screw
3	153010	2	#6 Star Washer
4	130102	1	190° Large Thermostat
5	152013	2	#6-32 Hex Nut
6	154007	2	1/4" Tinnerman Push-On Fastener
7	880251	1	1/4" Temperature Sensor Probe Assembly (includes illus. nos. 6 through 9)
8	122701	4	Socket Terminal
9	122605	1	4-Pin Socket Connector
10	122700	4	Pin Terminal
11	122604	1	4-Pin Connector Only
	122801	1	Pin / Socket Extraction Tool
12	121405	1	Rubber Grommet
13	881537	2	Tinnerman "S" Clip

# Non-Microprocessor Temperature Sensor Bracket Assembly



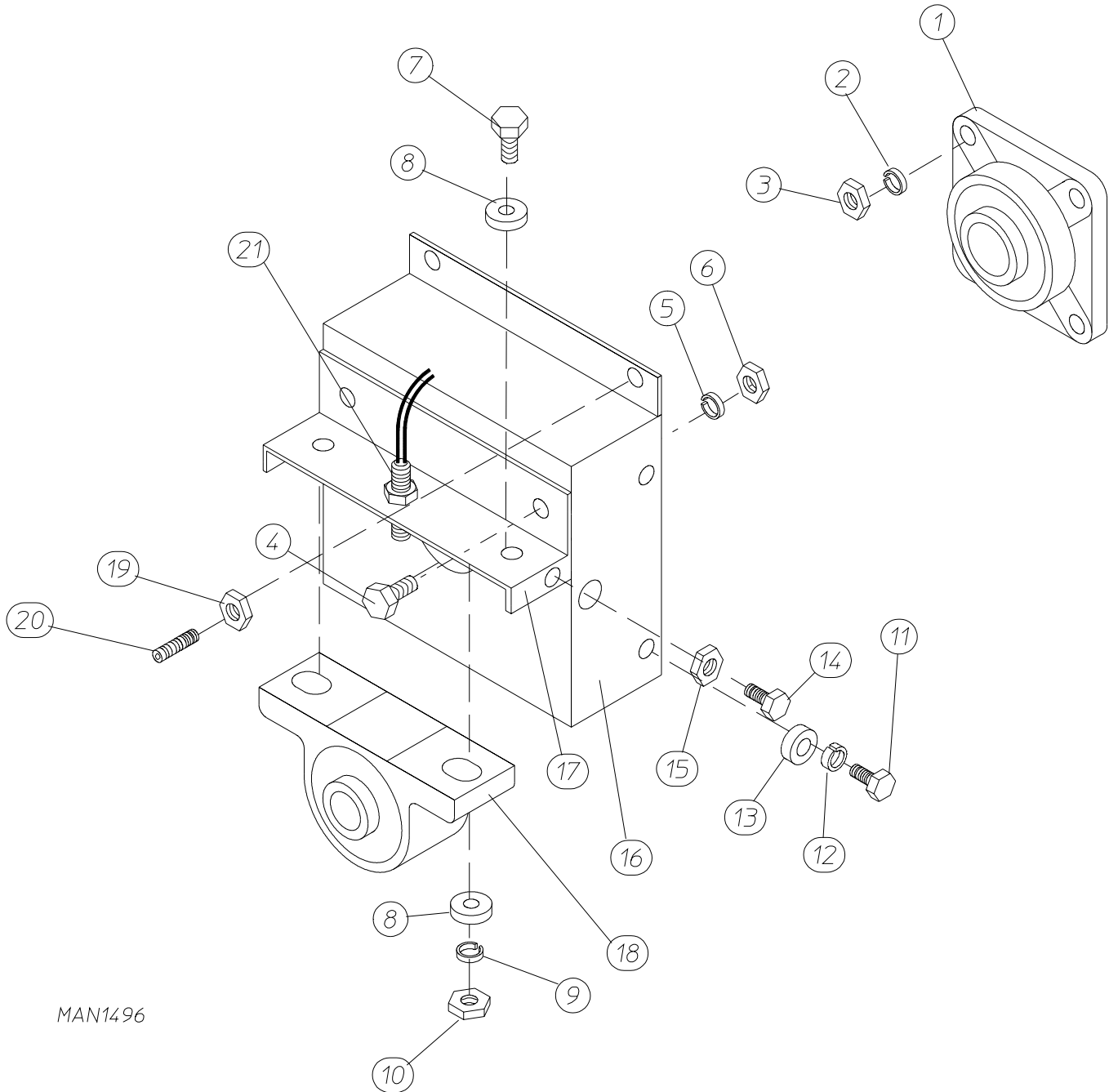
Illus. No.	Part No.	Qty.	Description
1	880907	1	AD-26 / AD-295 Non-Microprocessor Sensor Bracket Assembly Complete (includes illus. nos. 1 through 12)
2	153010	5	#6 Star Washers
3	150005	5	#6-32 x 1/4" Round Head Machine Screw
4	130106	1	Large 170° Thermostat
5	152000	5	#6-32 Hex Nut
6	840065	1	Sensor Jumper
7	840062	1	Sensor Bracket Harness
8	130100	1	Large 150° Thermostat
9	130111	1	Large 130° Thermostat
10	130105	1	Large 100° Thermostat
11	122701	4	Socket Terminal
12	122605	1	4-Pin Socket Connector
13	122604	1	4-Pin Connector
14	122700	4	Pin Terminal



MAN0397

Illus. No.	Part No.	Qty.	Description
1	150301	2	#8-18 x 7/16" Phillips Pan Head TEK Screw
2	802800	1	Sail Switch Box with Cover and Bracket Only (includes illus. nos. 2, 4, and 5)
	802801	1	Sail Switch Box Assembly Complete (includes illus. nos. 2 through 10)
3	154004	1	Twin Speed Nut
4	150415	2	#10-16 x 1/2" Phillips Round Head CrimpTite Screw
5	802799	1	Sail Switch Box Cover and Bracket
6	122200	1	Sail Switch
7	150303	2	#4 x 3/4" Pan Head "A" Machine Screw
8	105500	1	Sail Switch Actuator Rod
9	319206	1	Sail Switch Damper (embossed)
10	154002	1	1/8" Push-On Fastener

# Tumbler Bearing Assembly

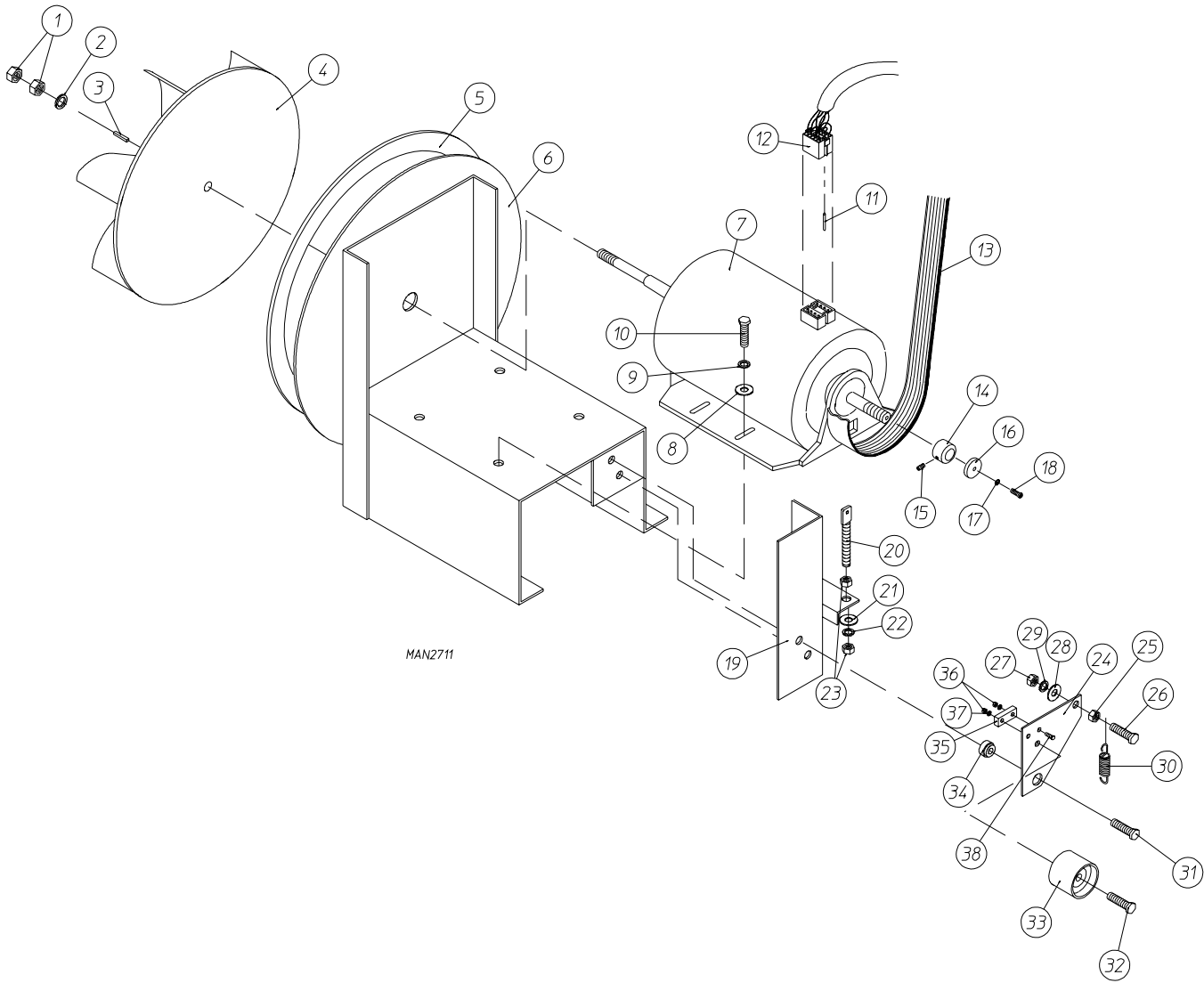


MAN1496

<u>Illus. No.</u>	<u>Part No.</u>	<u>Qty.</u>	<u>Description</u>
1	880203	1	1-3/8" Flange Bearing
2	153005	4	3/8" Lock Washer
3	152005	4	3/8-16 Hex Nut
4	150508	2	3/8-16 x 3/4" Hex Head Machine Bolt
5	153005	2	3/8" Lock Washer
6	152005	2	3/8-16 Hex Nut
7	150600	2	3/8-16 x 1-1/2" Hex Head Machine Bolt
8	153004	2*	3/8" Flat Washer
9	153005	2	3/8" Lock Washer
10	152005	2	3/8-16 Hex Nut
11	150501	4	5/16-18 x 3/4" Hex Head Machine Bolt
12	153002	4	5/16" Lock Washer
13	153001	4	5/16" Flat Washer
14	150621	2	5/16-18 x 1-1/2" Hex Head Machine Bolt
15	152004	2	5/16-18 Hex Nut
16	801101	1	1-3/8" Bearing Box Assembly Complete for models mfd. without Rotational Sensor (includes illus. nos. 4 through 20)
	801103	1	1-3/8" Bearing Box and Support Assembly Only (includes illus. nos. 4 through 6, 16, and 17)
	801105	1	1-3/8" Bearing Box Only
17	801104	1	1-3/8" Pillow Block Bearing Support
18	880202	1	1-3/8" Pillow Block Bearing Only
	880779	1	1-3/8" Pillow Block Bearing Assembly with Magnet for models mfd. with Rotational Sensor
19	152004	2	5/16-18 Hex Nut
20	150610	2	5/16-18 x 1-1/2" Allen Setscrew
21	824807	1	Rotational Sensor Assembly

\* Some models require a quantity of 4.

# Totally Enclosed, Non-Vent Motor / Idler Assemblies

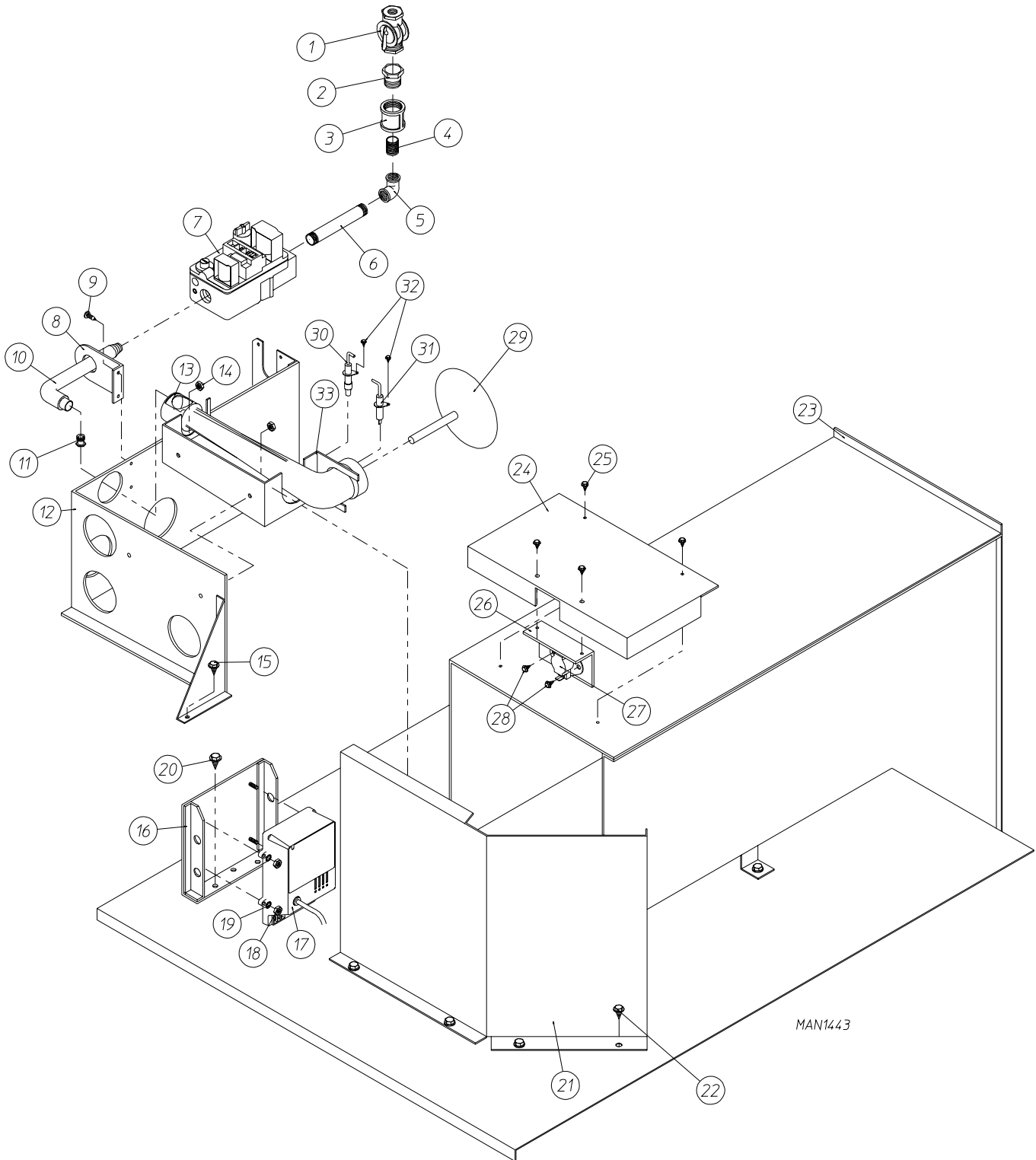


## *Totally Enclosed, Non-Vent Motor / Idler Assemblies*

<u>Illus. No.</u>	<u>Part No.</u>	<u>Qty.</u>	<u>Description</u>
1	152006	2	1/2-20 Left-Hand Jam Nut
2	153050	1	1/2" S.A.E. Flat Washer
3	100702	1	1/8" x 1/8" x 1-1/2" Key
4	100604	1	Impellor (Fan / Blower)
5	117684	4	Noise Suppressor Tape (sold by the foot)
6	880890	1	AD-26 / AD-295 Motor Mount Only
	880893	1	AD-26 / AD-295 Motor Mount Assembly Complete – 60 Hz Models Only (includes illus. nos. 1 through 10 and 14 through 18)
	880894	1	AD-26 / AD-295 Motor Mount Assembly Complete – 50 Hz Models Only (includes illus. nos. 1 through 10 and 14 through 18)
7	100099	1	1/2 hp 115/208-230 / 60 Hz / 1∅ T.E.N.V. Motor with Plug
	100054	1	1/2 hp 115/208-230 / 50 Hz / 1∅ T.E.N.V. Motor with Plug
8	153001	4	5/16" Flat Washer
9	153002	4	5/16" Lock Washer
10	154279	4	5/16-18 x 3/4" Carriage Bolt
11	122701	*	Socket Terminal Only
	122801	1	Pin / Socket Extraction Tool
12	137030	1	8-Pin Housing
13	100173	1	12-Rib 120" Poly "J" Belt
14	101097	1	Rear Motor Shaft Bushing (for 60 Hz Models Only)
	101099	1	Rear Motor Shaft Bushing (for 50 Hz Models Only)
15	154327	1	Rear Bushing Setscrew
16	101096	1	Front Motor Shaft Bushing
17	153024	1	#10 Lock Washer
18	150217	1	#10-32 x 3/4" Phillips Round Head Machine Screw
19	880922	1	Idler Assembly Complete (includes illus. nos. 19 through 38)
	880895	1	Idler Plate Angle Assembly Only
20	153005	1	3/8-16 x 3-3/8" Spade Bolt
21	153004	1	3/8" Flat Washer
22	153005	1	3/8" Lock Washer
23	152005	2	3/8-16 Hex Nut
24	802203	1	Idler Plate
25	153007	1	1/4" Lock Washer
26	150112	1	1/4-20 x 1-1/4" Hex Head Bolt
27	152002	1	1/4-20 Hex Nut
28	153018	1	1/4" Flat Washer
29	153007	1	1/4" Lock Washer
30	157010	1	1-7/8" Extension Spring
31	154278	1	5/16-18 x 5/8" Shoulder Screw
32	150600	1	3/8-16 x 1/2" Hex Head Bolt
33	100251	1	Idler Pulley
34	100429	1	Idler Pivot Sleeve
35	170359	1	Nylon Spacer
36	152000	2	#6-32 Hex Nut
37	153008	2	#6 Lock Washer
38	150001	2	#6-32 x 1/2" Round Head Machine Screw

\* As required.

# Upshot Burner Assembly

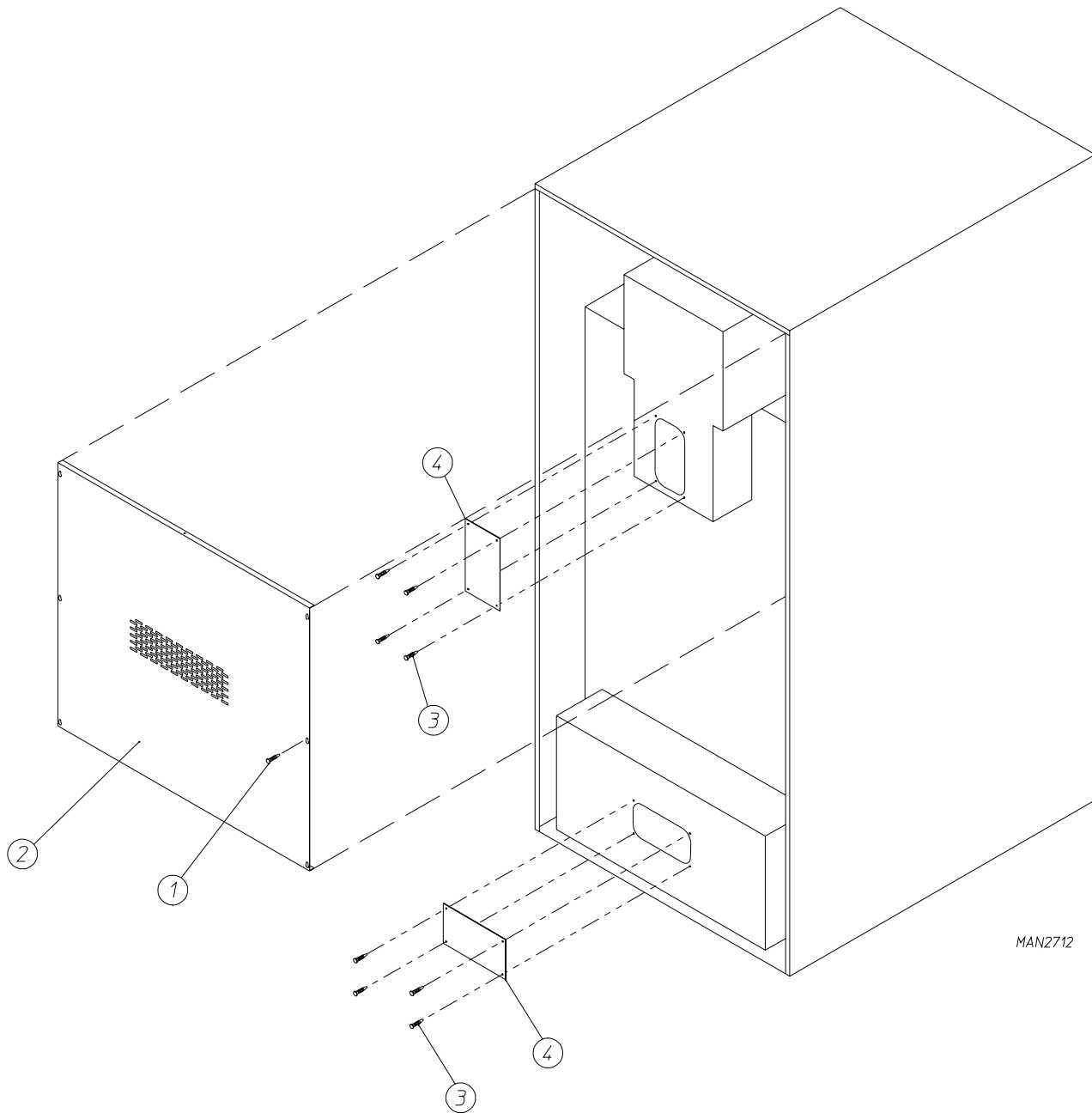


MAN1443



<u>Illus. No.</u>	<u>Part No.</u>	<u>Qty.</u>	<u>Description</u>
1	881372	1	Straight Shut-Off
2	141303	1	1/2" Union Tail Piece
3	143001	1	1/2" Coupling
4	142700	1	Close Nipple
5	142500	1	1/2" x 90° Elbow
6	142812	1	1/2" x 3" Nipple
7	128927	1	1/2" 24 VAC Direct Spark Ignition Redundant Valve (natural gas)
	140411	1	1/2" Valve Conversion Kit (liquid propane gas)
8	318700	1	Pipe Bracket
9	150300	2	#10 x 1/2" Hex Washer TEK Screw
10	141238	1	1/2" Manifold
11	————	1	Burner Orifice <b>(refer to Upshot Burner Orifice Listing Specifications on page 44)</b>
12	880891	1	AD-26 / AD-295 Burner Front and Back Bracket
13	880892	1	ADG-26 / ADG-295 Upshot Burner Tube Assembly (includes illus. nos. 13 and 30 through 33)
	141130	1	Tube Only
	141131	1	Tube and Spreader (includes item no. 29)
14	152001	2	#8-32 Hex Nut
15	150300	2	#10 x 1/2" Hex Washer TEK Screw
16	820100	1	Direct Spark Ignition Mounting Bracket
17	882627	1	ADC Direct Spark Ignition Module (50/60 Hz)
18	152000	4	#6-32 Hex Nut
19	153010	4	#6 Star Washer
20	150301	2	#8-18 x 7/16" Phillips Pan Head TEK Screw
21	318083	1	Outer Burner Baffle
22	150300	4	#10-32 x 1/2" Hex Washer TEK Screw
23	880923	1	ADG-26 Burner Box Assembly (includes illus. nos. 23 through 26)
	880924	1	ADG-295 Burner Box Assembly (includes illus. nos. 23 through 26)
24	318076	1	Burner Box Cover
25	150300	4	#10 x 1/2" Hex Washer TEK Screw
26	319706	1	Hi-Limit Bracket
27	130401	1	330° Hi-Limit
28	150301	1	#8-18 x 7/16" Phillips Pan Head TEK Screw
29	141109	1	Flame Spreader
30	128918	1	Flame Sensor
31	128917	1	Spark Electrode with High Voltage Wire
32	150315	2	#6 x 3/8" Phillips Pan Head "B" Screw
33	318009	1	PSE Burner Tube Bracket
—	————	1	Conversion Kit <b>(refer to L.P. Conversion Kit Listing on page 44)</b>

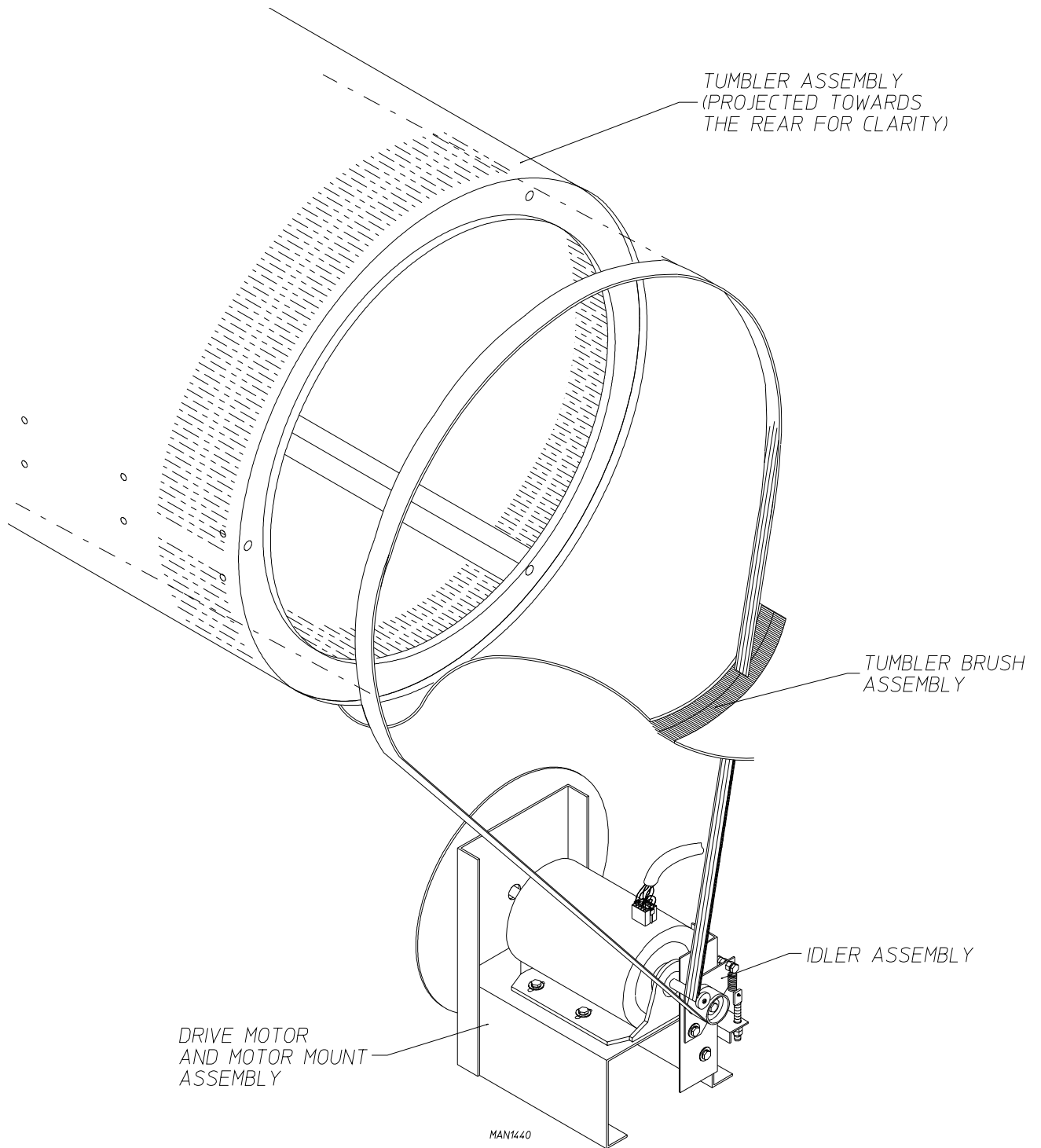
# Back Guard Assembly



MAN2712

<u>Illus. No.</u>	<u>Part No.</u>	<u>Qty.</u>	<u>Description</u>
1	150301	6	#8-18 x 7/16" Phillips Pan Head TEK Screw
2	314408	1	AD-26 / AD-295 Back Guard
3	150300	8	#10 x 1/2" Hex Washer TEK Screw
4	318065	2	AD-26 / AD-295 Clean Out Plate

# 12-Rib 120" (J) Poly Belt Arrangement



<b>Upshot Burner Orifice Listing*</b>					
<b>Model Number</b>	<b>Qty.</b>	<b>Natural Gas</b>		<b>L.P. Gas</b>	
		<b>D.M.S.</b>	<b>Part No.</b>	<b>D.M.S.</b>	<b>Part No.</b>
ADG-26D @ 60 Hz	1	#26	140823	#43	140809
ADG-26D @ 50 Hz	1	#29	140820	#46	140806
ADG-295D @ 60 Hz	1	#23	140856	#42	140810
ADG-295D @ 50 Hz	1	#28	148021	#44	140808

\* Consult factory for elevations over 2,000 feet.

<b>L.P. Conversion Kit Listing*</b>	
<b>Model Number</b>	<b>Kit Part Number</b>
ADG-26D @ 60 Hz	874061
ADG-26D @ 50 Hz	880932
ADG-295D @ 60 Hz	880782
ADG-295D @ 50 Hz	880933

\* Consult factory for elevations over 2,000 feet.

<u>Part No.</u>	<u>Description</u>
114006	"Warning – Fire Hazards" Label
114533	"120v Electric Service" Label
112280	"Super 30 Lint Screen" Label
114001	"Lint Screen" Label
112534	"Phase 5 Non-Coin Program Location Summary" Label
120802	Red Butt Connector
120902	#74B Wire Nut
120903	Crimp-on Wire Nut
121014	1/4" Insulated (female) Terminal
121499	4" Harness Tie
121500	7" Harness Tie
122804	Hydrogauge, 15"
404500	Almond Brush-In-Cap Bottle Touch-Up Paint
404502	White Brush-In-Cap Bottle Touch-Up Paint
404506	Almond "B" Brush-In-Cap Bottle Touch-Up Paint
404507	Cornflower Blue Brush-In-Cap Bottle Touch-Up Paint
410001	1/2" Allen Wrench

