



AD-310 Parts Manual

Phase 5 / Non-Tilt
1995 thru 1998

American Dryer Corporation
88 Currant Road
Fall River, MA 02720-4781
Telephone: (508) 678-9000 / Fax: (508) 678-9447
E-mail: techsupport@amdry.com

www.amdry.com

Retain This Manual In A Safe Place For Future Reference

American Dryer Corporation products embody advanced concepts in engineering, design, and safety. If this product is properly maintained, it will provide many years of safe, efficient, and trouble free operation.

ONLY qualified technicians should service this equipment.

OBSERVE ALL SAFETY PRECAUTIONS displayed on the equipment or specified in the installation manual included with the dryer.

The following “**FOR YOUR SAFETY**” caution must be posted near the dryer in a prominent location.

FOR YOUR SAFETY

Do not store or use gasoline or other flammable vapors and liquids in the vicinity of this or any other appliance.

POUR VOTRE SÉCURITÉ

Ne pas entreposer ni utiliser d'essence ni d'autres vapeurs ou liquides inflammables à proximité de cet appareil ou de tout autre appareil.

We have tried to make this manual as complete as possible and hope you will find it useful. ADC reserves the right to make changes from time to time, without notice or obligation, in prices, specifications, colors, and material, and to change or discontinue models.

Important

For your convenience, log the following information:

DATE OF PURCHASE _____ MODEL NO. **AD-310**
RESELLER'S NAME _____
Serial Number(s) _____

Replacement parts can be obtained from your reseller or the ADC factory. When ordering replacement parts from the factory, you can FAX your order to ADC at (508) 678-9447 or telephone your order directly to the ADC Parts Department at (508) 678-9000. Please specify the dryer model number and serial number in addition to the description and part number, so that your order is processed accurately and promptly.

The illustrations on the following pages may not depict your particular dryer exactly. The illustrations are a composite of the various dryer models. Be sure to check the descriptions of the parts thoroughly before ordering.

“IMPORTANT NOTE TO PURCHASER”

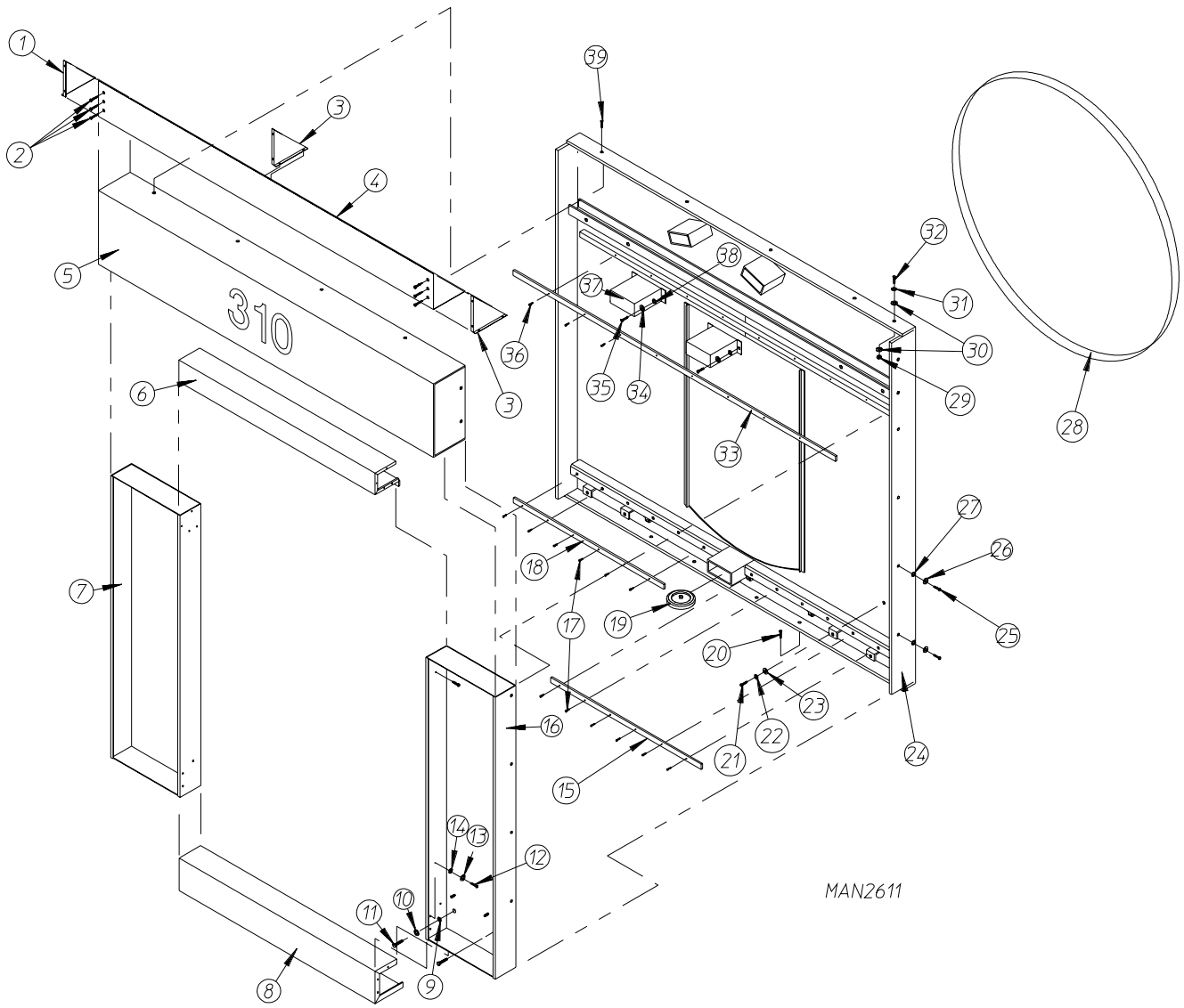
Information must be obtained from your local gas supplier on the instructions to be followed if the user smells gas. These instructions must be posted in a prominent location near the dryer.

Table of Contents

Front Panel Assembly for Models with Automatic Door	4
Front Panel Assembly for Models with Manual Door	6
Rear Panel Assembly for Models with 2 Automatic Doors	8
Rear Panel Assembly for Models with 2 Manual Doors	10
Rear Panel Assembly for Models with 1 Door	12
Side Panel Assemblies	13
Left Manual Load Door Assembly for Models Mfd. as of November 1, 1995	14
Right Manual Load Door Assembly for Models Mfd. as of November 1, 1995	15
Left Manual Load Door Assembly for Models Mfd. prior to November 1, 1995	16
Right Manual Load Door Assembly for Models Mfd. prior to November 1, 1995	17
Left Automatic Load Door Assembly	18
Right Automatic Load Door Assembly	19
End of Cycle Light Assembly	20
Automatic Door Pneumatic Assembly	21
Magnetic Door Switch Assembly	22
Left Control Door Assembly for 1 Door or 2 Door Models	23
Right Front Control Door Assembly	24
Right Rear Control Door Assembly for 2 Door Models	26
Lint Basket Assembly	27
Left Hand Electrical Control Panel for Models with Thermal Magnetic Protection Only	28
Left Control Panel Assembly for Models with Fuse Protection Only	30
Bottom of Right Hand Electrical Panel	32
Top of Right Hand Electrical Panel	34
Base Main Electrical Junction Box Assembly for Models with Thermal Magnetic Protection Only	36
Tumbler and Idler Shaft Assemblies	38
Rotational Sensor Assembly	39
Tumbler Drive Shaft Assembly	40
Tumbler Retaining Wheel Assembly	41
Fan Motor Assembly for Gas Models Only	42
Fan Motor Assembly for Steam Models Only	44
Drive Motor Assembly	46
Temperature Sensor Bracket	47
Front Gas Burner Assembly	48
Rear Gas Burner Assembly	50
Direct Spark Ignition Module Assembly for Gas Models Only	52
Sail Switch Assembly	53
Air Jet Assembly	54
Post Assembly	55
Steam Coil Assembly	56
Pneumatic Assembly for Models with 1 Automatic Door	58
Pneumatic Assembly for Models with 2 Automatic Doors	59
Sprinkler Control Panel Assembly	60
Optional Sprinkler Assembly for Models Mfd. as of November 14, 1996	62
Optional Sprinkler Assembly for Models Mfd. prior to November 14, 1996	64
Pneumatic Assembly for Models Mfd. with Sprinkler Option	66
Sprinkler Temperature Probe Junction Box Assembly	67
Base Panel Assemblies	68

Front Panel Assembly

For Models with Automatic Door



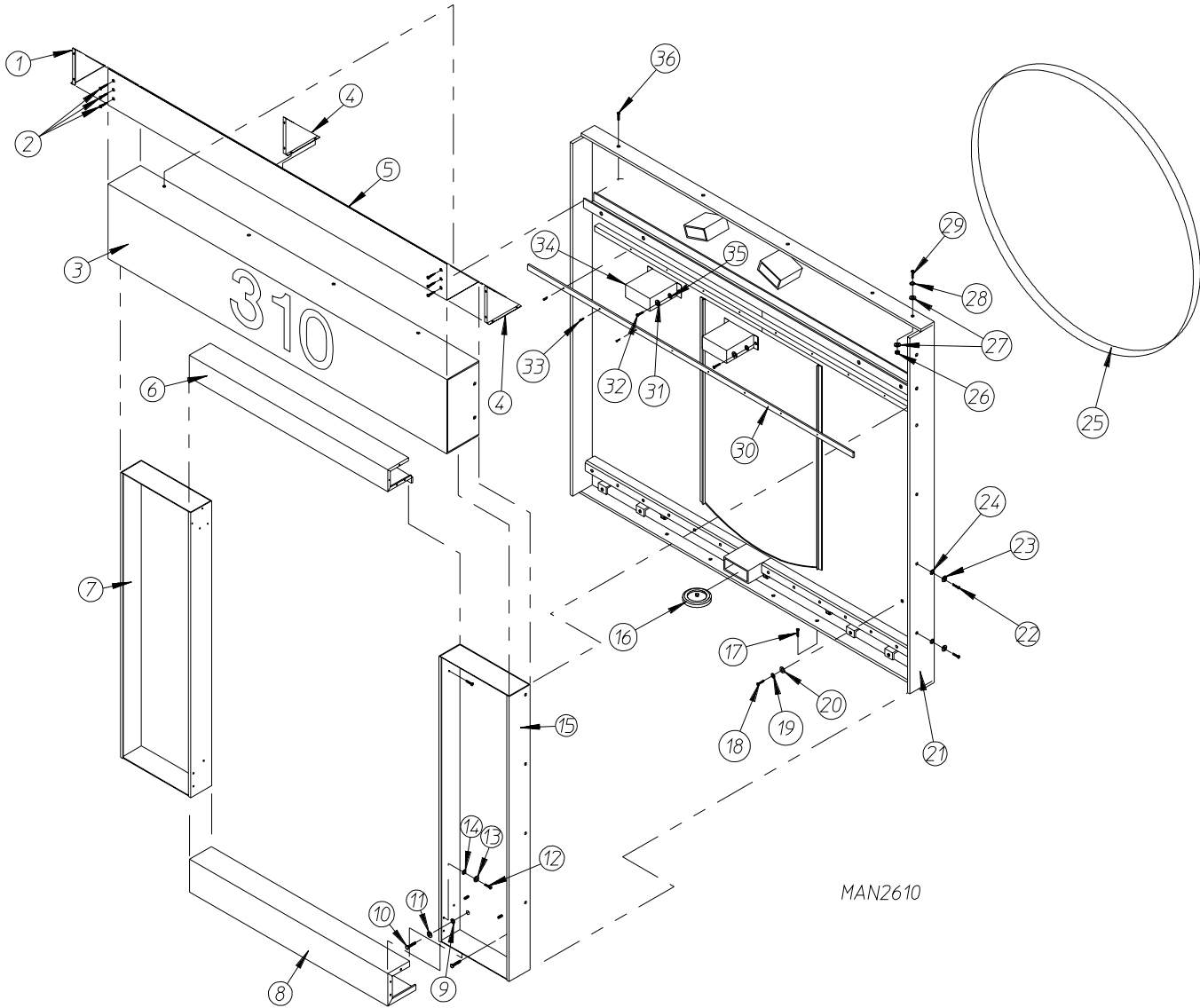
MAN2611

<u>Illus. No.</u>	<u>Part No.</u>	<u>Qty.</u>	<u>Description</u>
1	332680	1	Left Gusset (for gas models Only)
2	150522	15	1/4-20 x 1/2" TEK Screw (for gas models Only)
3	332681	2	Right Gusset (for gas models Only)
4*	332679	1	Top Front Panel (for gas models Only)
5*	826033	1	Upper Guard
6*	821239	1	Middle Guard
7*	881117	1	Left Control Cabinet
8*	821285	1	Bottom Guard
9	153001	8	5/16" Flat Washer
10	153002	8	5/16" Lock Washer
11	150501	8	5/16-18 x 3/4" Hex Head Machine Bolt
12	150510	12	1/4-20 x 3/4" Hex Head Machine Bolt
13	153007	12	1/4" Lock Washer
14	153018	12	1/4" Flat Washer
15	170364	1	Bottom Door Track
16*	881116	1	Right Control Cabinet
17	154312	14	#10-32 x 3/4" Socket Head Cap Screw
18	170364	1	Bottom Door Track
19	—	—	Tumbler Retaining Wheel Assembly (refer to Tumbler Retaining Wheel Assembly on page 41)
20	150523	5	1/4-20 x 3/4" Hex Head Machine Bolt
21	150617	8	3/8-16 x 1" Hex Head Bolt
22	153005	8	3/8" Lock Washer
23	153004	8	3/8" Flat Washer
24*	881109	1	Front Panel Assembly
25	150501	12	5/16-18 x 3/4" Hex Head Machine Bolt
26	153002	12	5/16" Lock Washer
27	153001	12	5/16" Flat Washer
28	115998	180	Felt (sold by the inch)
29	152011	4	1/2-13 Hex Nut
30	153050	8	1/2" x 1-1/16" Flat Washer
31	153026	4	1/2" Lock Washer
32	150605	4	1/2-13 x 1-1/2" Hex Head Bolt
33	170365	1	Upper Door Track
34	153007	12	1/4" Lock Washer
35	152002	12	1/4-20 Hex Nut
36	154312	15	#10-32 x 3/4" Socket Head Cap Screw
37*	821244	2	Tumbler Retaining Wheel Cover
38	153018	12	1/4" Flat Washer
39	150523	5	1/4-20 x 3/4" Hex Washer Machine Bolt

* Specify color when ordering.

Front Panel Assembly

For Models with Manual Door

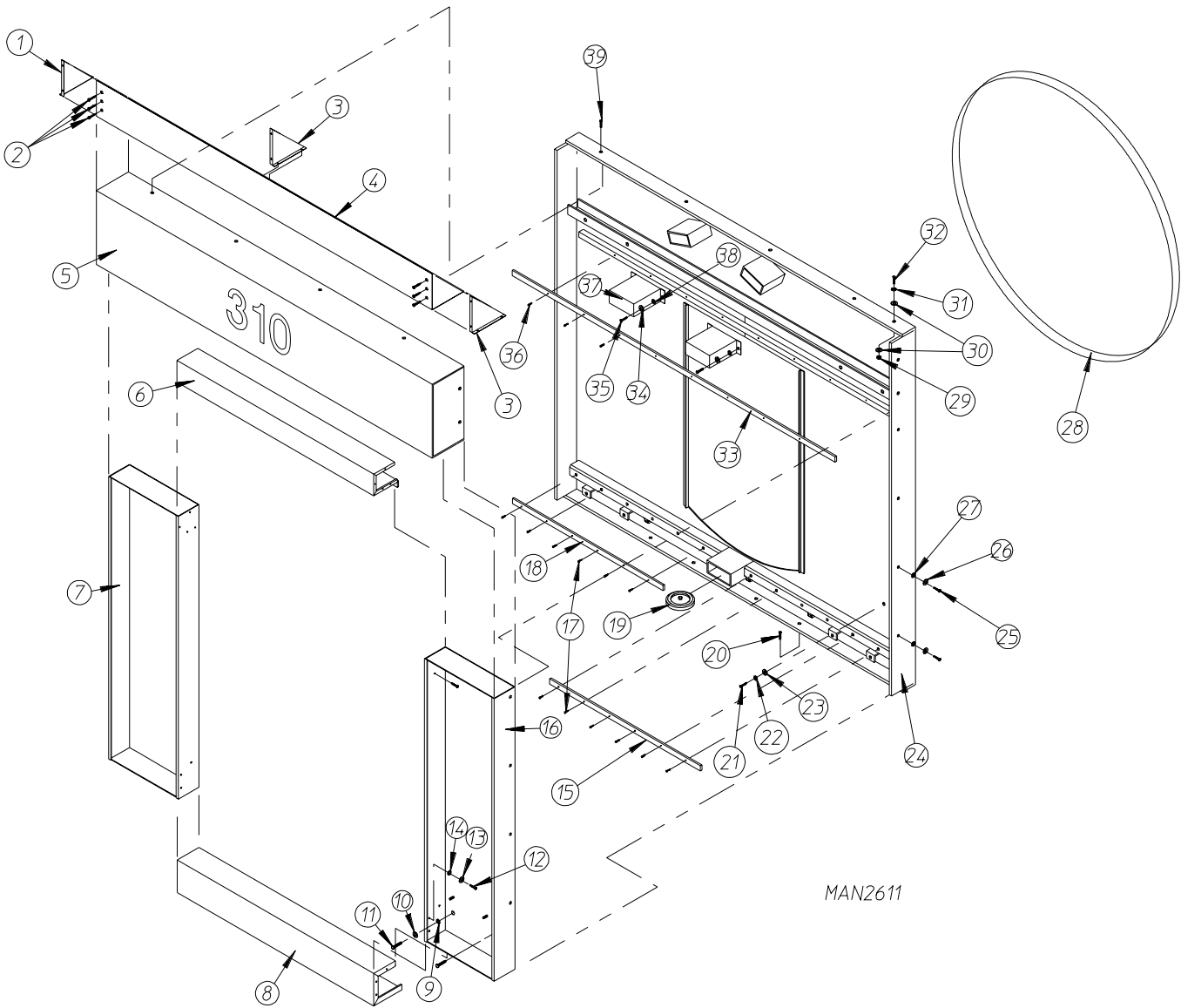


<u>Illus. No.</u>	<u>Part No.</u>	<u>Qty.</u>	<u>Description</u>
1	332680	1	Left Gusset (for gas models Only)
2	150522	15	1/4-20 x 1/2" TEK Screw (for gas models Only)
3*	826033	1	Upper Guard
4	332681	2	Right Gusset (for gas models Only)
5*	332679	1	Top Front Panel (for gas models Only)
6*	821239	1	Middle Guard
7*	881117	1	Left Control Cabinet
8*	821285	1	Bottom Guard
9	153001	8	5/16" Flat Washer
10	150501	8	5/16-18 x 3/4" Hex Head Machine Bolt
11	153002	8	5/16" Lock Washer
12	150510	12	1/4-20 x 3/4" Hex Head Machine Bolt
13	153007	12	1/4" Lock Washer
14	153018	12	1/4" Flat Washer
15*	881116	1	Right Control Cabinet
16	—	—	Tumbler Retaining Wheel Assembly (refer to Tumbler Retaining Wheel Assembly on page 41)
17	150523	5	1/4-20 x 3/4" Hex Washer Machine Bolt
18	150617	8	3/8-16 x 1" Hex Head Bolt
19	153005	8	3/8" Lock Washer
20	153004	8	3/8" Flat Washer
21*	881108	1	Front Panel
22	150501	12	5/16-18 x 3/4" Hex Head Machine Bolt
23	153002	12	5/16" Lock Washer
24	153001	12	5/16" Flat Washer
25	115998	180	Felt (sold by the inch)
26	152011	4	1/2-13 Hex Nut
27	153050	8	1/2" x 1-1/16" Flat Washer
28	153026	4	1/2" Lock Washer
29	150605	4	1/2-13 x 1-1/2" Hex Head Bolt
30	170365	1	Upper Door Track
31	153007	12	1/4" Lock Washer
32	152002	12	1/4-20 Hex Nut
33	154312	15	#10-32 x 3/4" Socket Head Cap Screw
34*	821244	2	Tumbler Retaining Wheel Cover
35	153018	12	1/4" Flat Washer
36	150523	5	1/4-20 x 3/4" Hex Washer Machine Bolt

* Specify color when ordering.

Rear Panel Assembly

For Models with 2 Automatic Doors

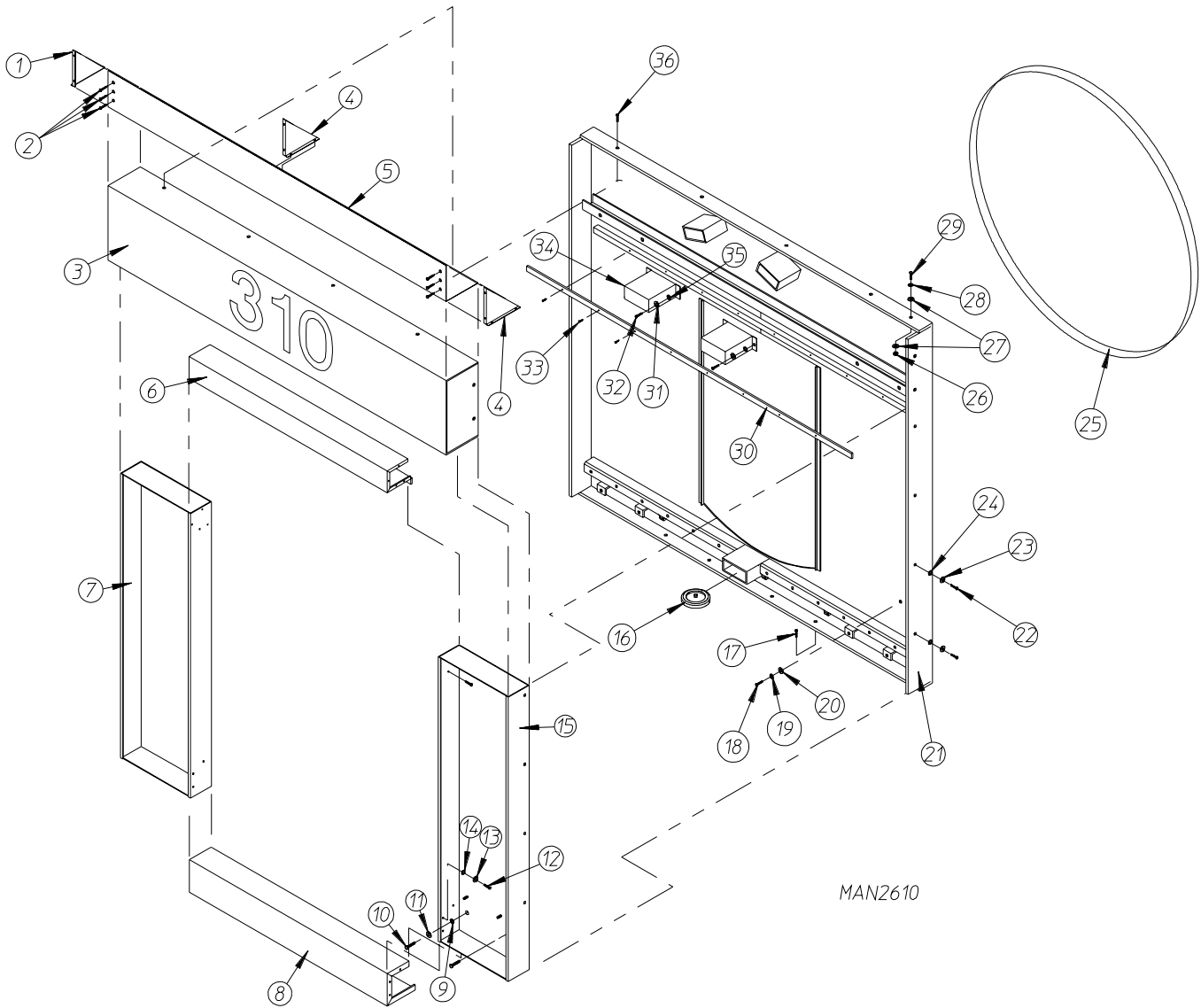


<u>Illus. No.</u>	<u>Part No.</u>	<u>Qty.</u>	<u>Description</u>
1	332680	1	Left Gusset (for gas models Only)
2	150522	15	1/4-20 x 1/2" TEK Screw (for gas models Only)
3	332681	2	Right Gusset (for gas models Only)
4*	332679	1	Top Front Panel (for gas models Only)
5*	826033	1	Upper Guard
6*	821239	1	Middle Guard
7*	881117	1	Left Control Cabinet
8*	821285	1	Bottom Guard
9	153001	8	5/16" Flat Washer
10	153002	8	5/16" Lock Washer
11	150501	8	5/16-18 x 3/4" Hex Head Machine Bolt
12	150510	12	1/4-20 x 3/4" Hex Head Machine Bolt
13	153007	12	1/4" Lock Washer
14	153018	12	1/4" Flat Washer
15	170364	1	Bottom Door Track
16*	881116	1	Right Control Cabinet
17	154312	14	#10-32 x 3/4" Socket Head Cap Screw
18	170364	1	Bottom Door Track
19	—	—	Tumbler Retaining Wheel Assembly (refer to Tumbler Retaining Wheel Assembly on page 41)
20	150523	5	1/4-20 x 3/4" Hex Head Machine Bolt
21	150617	8	3/8-16 x 1" Hex Head Bolt
22	153005	8	3/8" Lock Washer
23	153004	8	3/8" Flat Washer
24*	881109	1	Front Panel
25	150501	12	5/16-18 x 3/4" Hex Head Machine Bolt
26	153002	12	5/16" Lock Washer
27	153001	12	5/16" Flat Washer
28	115998	180	Felt (sold by the inch)
29	152011	4	1/2-13 Hex Nut
30	153050	8	1/2" x 1-1/16" Flat Washer
31	153026	4	1/2" Lock Washer
32	150605	4	1/2-13 x 1-1/2" Hex Head Bolt
33	170365	1	Upper Door Track
34	153007	12	1/4" Lock Washer
35	152002	12	1/4-20 Hex Nut
36	154312	15	#10-32 x 3/4" Socket Head Cap Screw
37*	821244	2	Tumbler Retaining Wheel Cover
38	153018	12	1/4" Flat Washer
39	150523	5	1/4-20 x 3/4" Hex Washer Machine Bolt

* Specify color when ordering.

Rear Panel Assembly

For Models with 2 Manual Doors

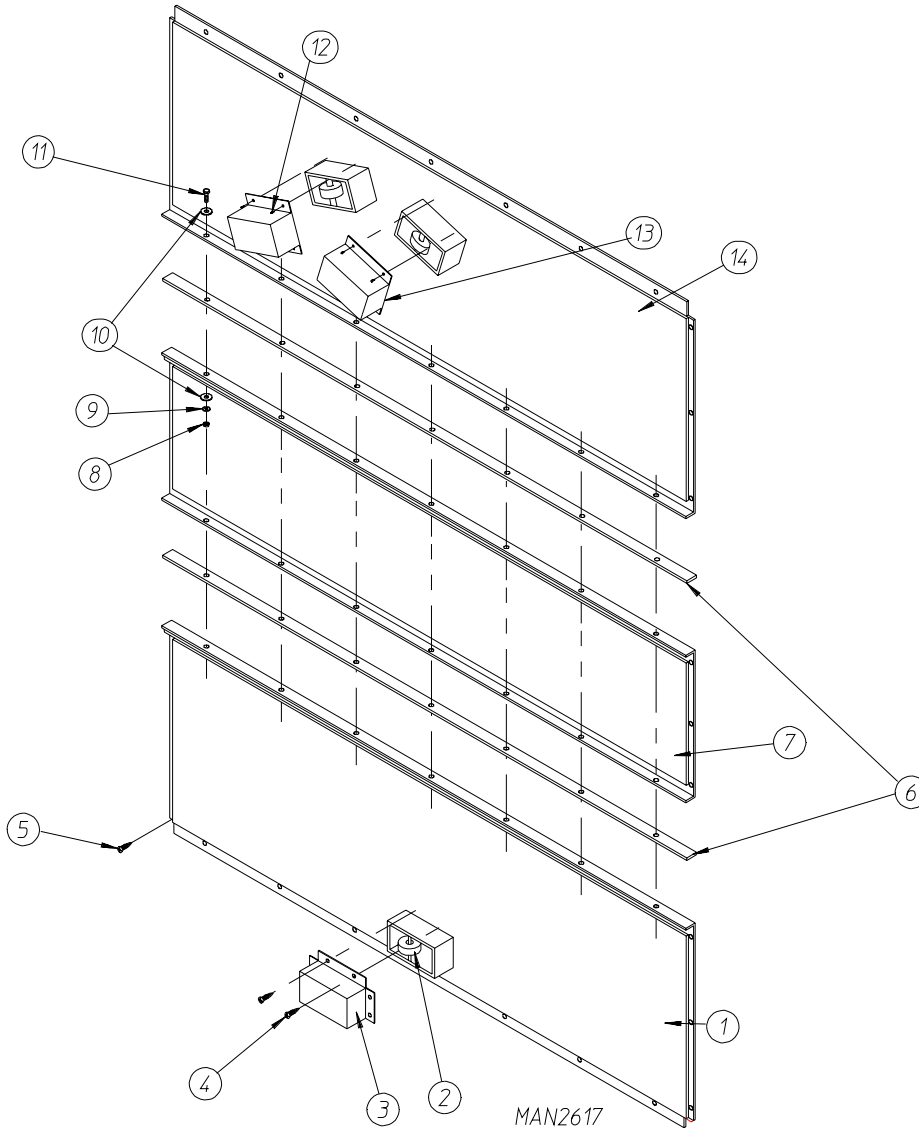


<u>Illus. No.</u>	<u>Part No.</u>	<u>Qty.</u>	<u>Description</u>
1	332680	1	Left Gusset (for gas models Only)
2	150522	15	1/4-20 x 1/2" TEK Screw (for gas models Only)
3*	826033	1	Upper Guard
4	332681	2	Right Gusset (for gas models Only)
5*	332679	1	Top Front Panel (for gas models Only)
6*	821239	1	Middle Guard
7*	881117	1	Left Control Cabinet
8*	821285	1	Bottom Guard
9	153001	8	5/16" Flat Washer
10	150501	8	5/16-18 x 3/4" Hex Head Machine Bolt
11	153002	8	5/16" Lock Washer
12	150510	12	1/4-20 x 3/4" Hex Head Machine Bolt
13	153007	12	1/4" Lock Washer
14	153018	12	1/4" Flat Washer
15*	881116	1	Right Control Cabinet
16	—	—	Tumbler Retaining Wheel Assembly (refer to Tumbler Retaining Wheel Assembly on page 41)
17	150523	5	1/4-20 x 3/4" Hex Washer Machine Bolt
18	150617	8	3/8-16 x 1" Hex Head Bolt
19	153005	8	3/8" Lock Washer
20	153004	8	3/8" Flat Washer
21*	881108	1	Front Panel
22	150501	12	5/16-18 x 3/4" Hex Head Machine Bolt
23	153002	12	5/16" Lock Washer
24	153001	12	5/16" Flat Washer
25	115998	180	Felt (sold by the inch)
26	152011	4	1/2-13 Hex Nut
27	153050	8	1/2" x 1-1/16" Flat Washer
28	153026	4	1/2" Lock Washer
29	150605	4	1/2-13 x 1-1/2" Hex Head Bolt
30	170365	1	Upper Door Track
31	153007	12	1/4" Lock Washer
32	152002	12	1/4-20 Hex Nut
33	154312	15	#10-32 x 3/4" Socket Head Cap Screw
34*	821244	2	Tumbler Retaining Wheel Cover
35	153018	12	1/4" Flat Washer
36	150523	5	1/4-20 x 3/4" Hex Washer Machine Bolt

* Specify color when ordering.

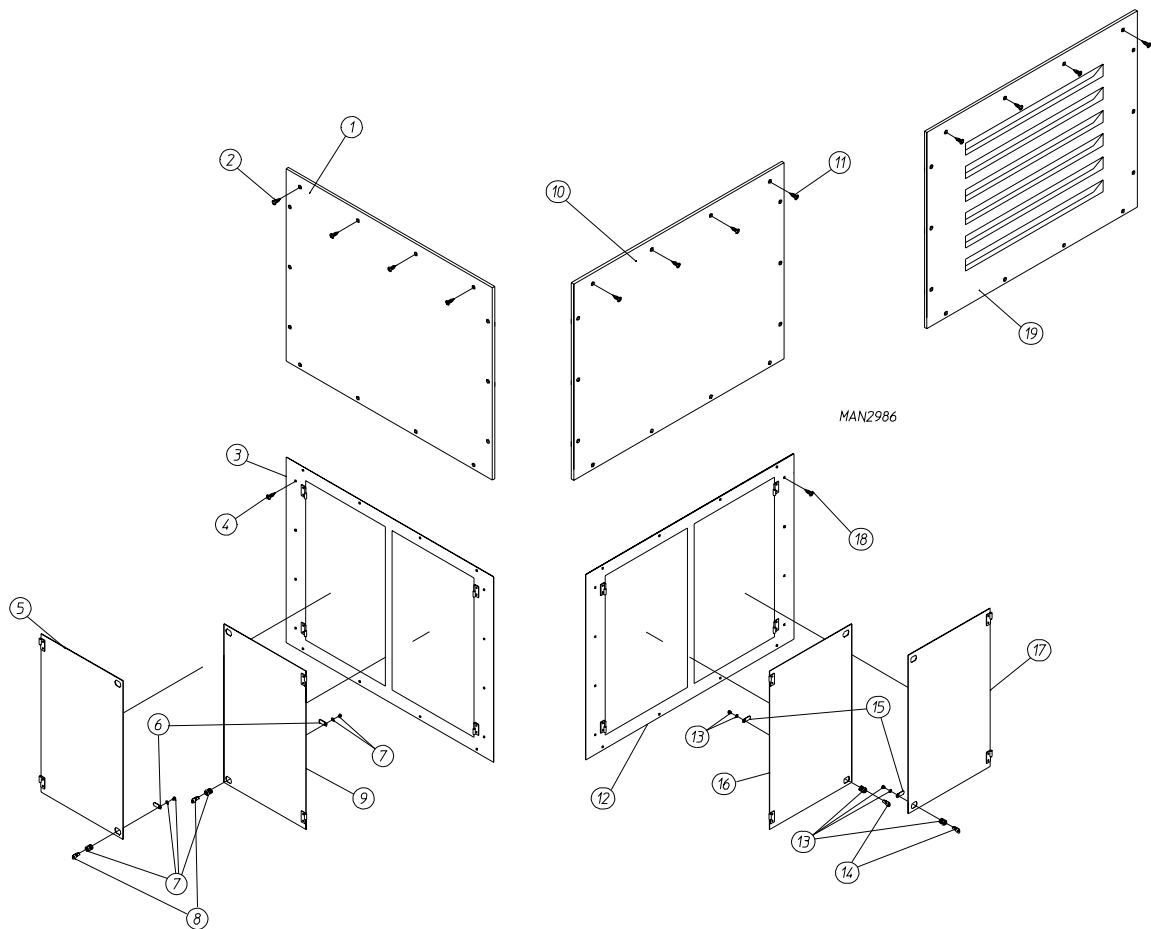
Rear Panel Assembly

For Models with 1 Door



Illus. No.	Part No.	Qty.	Description
1*	821310	1	Bottom Panel Assembly
2	—	3	Tumbler Retaining Wheel Assembly (refer to Tumbler Retaining Wheel Assembly on page 41)
3*	332787	1	Tumbler Retaining Wheel Guard
4	150301	6	#8-18 x 7/16" Phillips Pan Head TEK Screw
5	150523	32	1/4-20 x 3/4" Hex Head Machine Bolt
6	332571	2	Rear Panel Reinforcement
7*	821312	1	Middle Back Panel Assembly
8	152004	14	5/16-18 Hex Nut
9	153002	14	5/16" Lock Washer
10	153001	28	5/16" Flat Washer
11	150625	14	5/16-18 x 1-1/4" Hex Head Bolt
12*	150301	8	#8-18 x 7/16" Phillips Pan Head TEK Screw
13*	821244	2	Tumbler Retaining Wheel Cover
14*	881118	1	Top Back Panel Assembly

* Specify color when ordering.

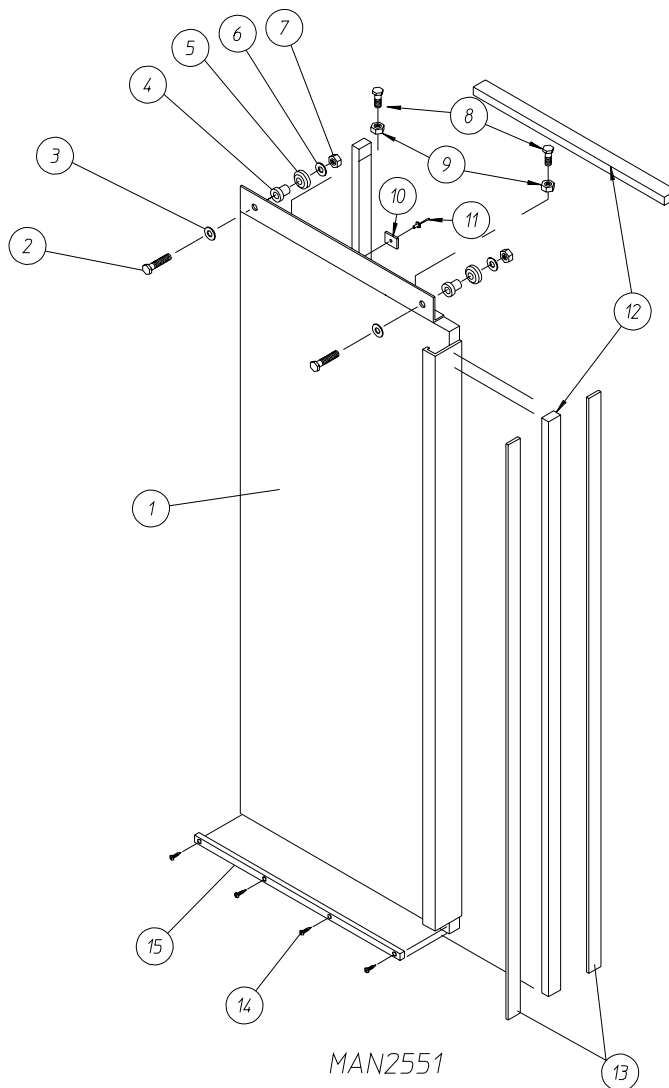


Illus. No.	Part No.	Qty.	Description
1*	826035	1	Left Top Side Panel
2	150523	16	1/4-20 x 3/4" Hex Washer TEK Screw
3*	881379	1	Lower Side Panel with Hinged Doors Complete (includes illus. nos. 3 and 5 through 9)
	881378	1	Lower Side Panel ONLY
4	150523	18	1/4-20 x 3/4" Hex Head TEK Screw
5*	881190	1	Locking Hinged Side Panel Door Assembly Less Locks
6	160034	4	Lock Cam ONLY
7	160050	4	Panel Lock ONLY Less Key (keyed XX4451)
8	160140	4	Key ONLY for Panel Lock (keyed XX4451)
9*	881377	1	Locking Hinged Side Panel Door Assembly Less Locks
10*	826035	1	Right Top Side Panel (for all steam models and gas models with inlet air adapter option)
11	150523	16	1/4-20 x 3/4" Hex Washer TEK Screw
12*	881379	1	Lower Side Panel with Hinged Doors Complete (includes illus. nos. 12 through 17)
	881378	1	Lower Side Panel ONLY
13	160050	4	Panel Lock ONLY Less Key (keyed XX4451)
14	160140	4	Key ONLY for Panel Lock (keyed XX4451)
15	160034	4	Lock Cam ONLY
16*	881190	1	Locking Hinged Side Panel Door Less Locks
17*	881377	1	Locking Hinged Side Panel Door Assembly Less Locks
18	150523	18	1/4-20 x 3/4" Hex Head TEK Screw
19*	826034	1	Top Right Side Panel (for gas models Only)

* Specify color when ordering.

Left Manual Load Door Assembly

For Models Mfd. as of November 1, 1995

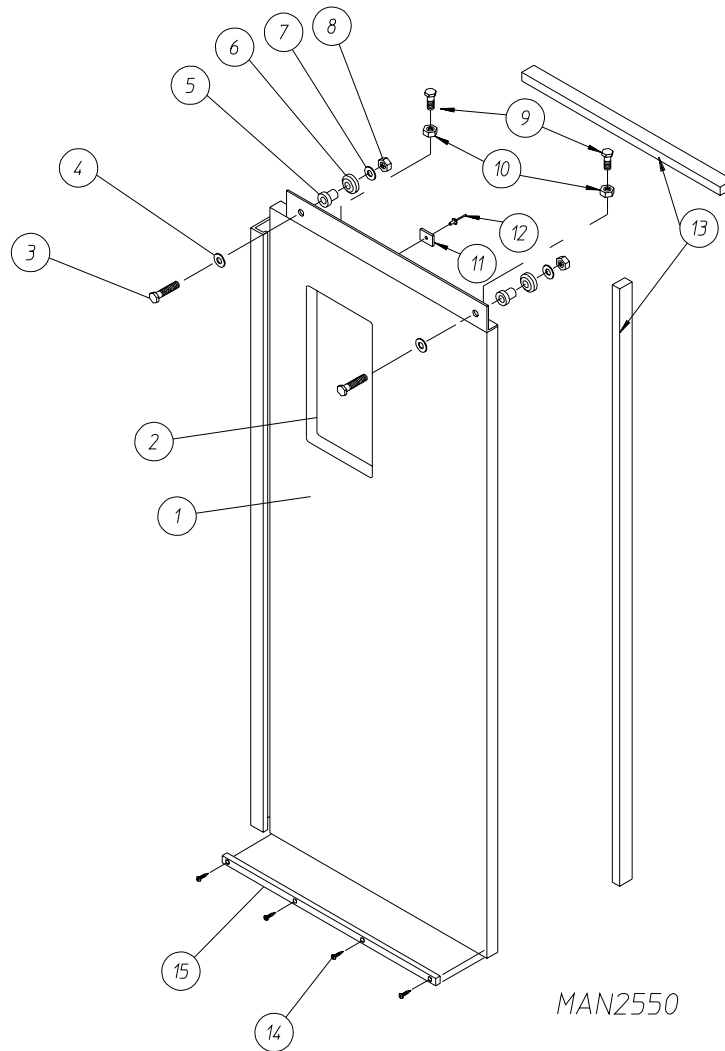


Illus. No.	Part No.	Qty.	Description
1*	821728	1	Left Manual Load Door Assembly Complete (includes illus. nos. 1 through 15)
2	150112	2	1/4-20 x 1-1/4" Hex Head Machine Screw
3	153018	2	1/4" Flat Washer
4	170367	2	Stainless Steel Stationary Bushing
5	170366	2	Stainless Steel Sealed Wheel
6	153007	2	1/4" Lock Washer
7	152002	2	1/4-20 Hex Nut
8	150512	2	1/4-20 x 1/2" Hex Head Machine Bolt
9	152002	2	1/4-20 Hex Nut
10	102102	1	Magnet (.215)
11	154200	1	5/32" Pop Rivet
12	115995	125	Felt Gasket (sold by the inch)
13	102111	2	Door Magnet
14	150301	4	#8-18 x 7/16" Phillips Pan Head TEK Screw
15	170357	1	Door Slide

* Specify color when ordering.

Right Manual Load Door Assembly

For Models Mfd. as of November 1, 1995

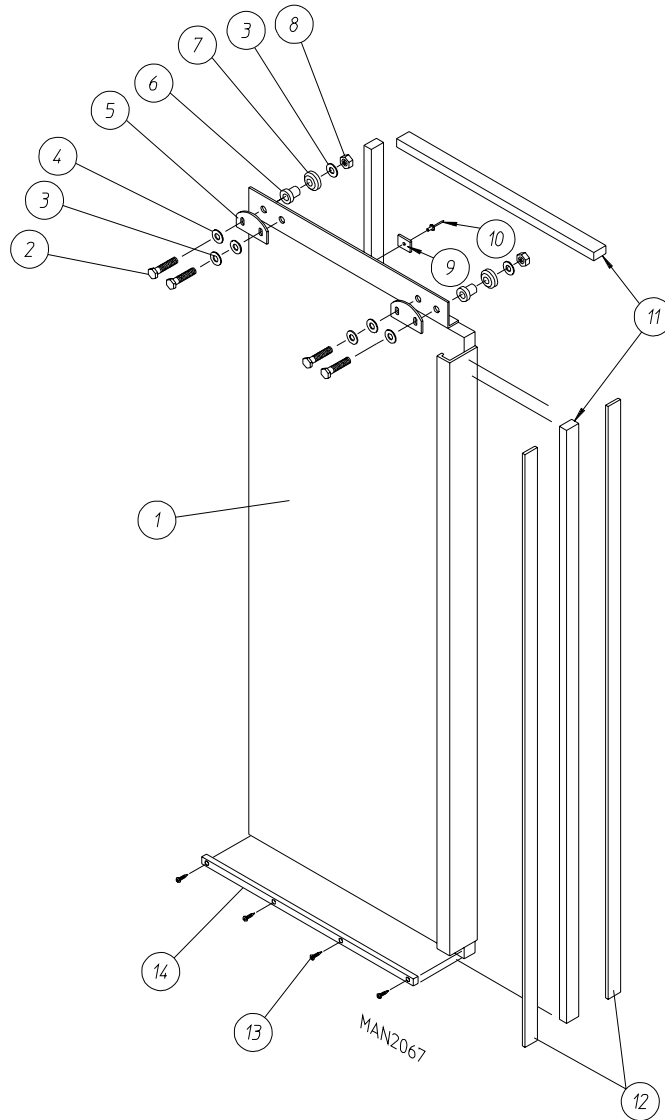


<u>Illus. No.</u>	<u>Part No.</u>	<u>Qty.</u>	<u>Description</u>
1*	801060	1	Right Manual Load Door Assembly Complete (includes illus. nos. 1 through 15)
2	102215	1	Door Window
	170730	1	Door Window Adhesive (10.3 oz. cartridge)
3	150112	2	1/4-20 x 1-1/4" Hex Head Machine Screw
4	153018	2	1/4" Flat Washer
5	170367	2	Stainless Steel Stationary Bushing
6	170366	2	Stainless Steel Sealed Wheel
7	153007	2	1/4" Lock Washer
8	152002	2	1/4-20 Hex Nut
9	150512	2	1/4-20 x 1/2" Hex Head Machine Bolt
10	152002	2	1/4-20 Hex Nut
11	102102	1	Magnet (.215)
12	154200	1	5/32" Pop Rivet
13	115995	80	Felt Gasket (sold by the inch)
14	150301	4	#8-18 x 7/16" Phillips Pan Head TEK Screw
15	170357	1	Lower Door Slide

* Specify color when ordering.

Left Manual Load Door Assembly

For Models Mfd. prior to November 1, 1995

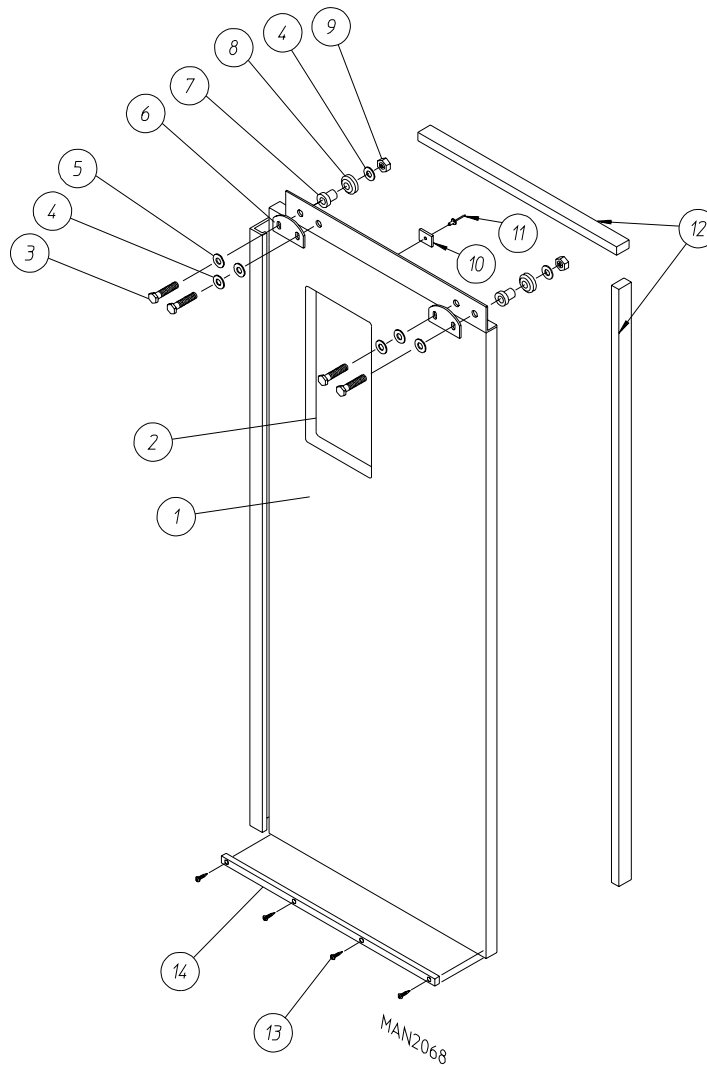


Illus. No.	Part No.	Qty.	Description
1*	821728	1	Left Manual Load Door Assembly Complete (includes illus. nos. 1 through 14)
	881106	1	Left Manual Load Door ONLY
2	150112	4	1/4-20 x 1-1/4" Hex Head Machine Screw
3	153007	4	1/4" Lock Washer
4	153018	4	1/4" Flat Washer
5*	332996	2	Door Trolley Adjustment Plate
6	170367	2	Stainless Steel Stationary Bushing
7	170366	2	Stainless Steel Sealed Wheel
8	152002	2	1/4-20 Hex Nut
9	102102	1	Magnet (.215)
10	154200	1	5/32" Pop Rivet
11	115995	125	Felt Gasket (sold by the inch)
12	102111	2	Door Magnet
13	150301	4	#8-18 x 7/16" Phillips Pan Head TEK Screw
14	170357	1	Lower Door Slide

* Specify color when ordering.

Right Manual Load Door Assembly

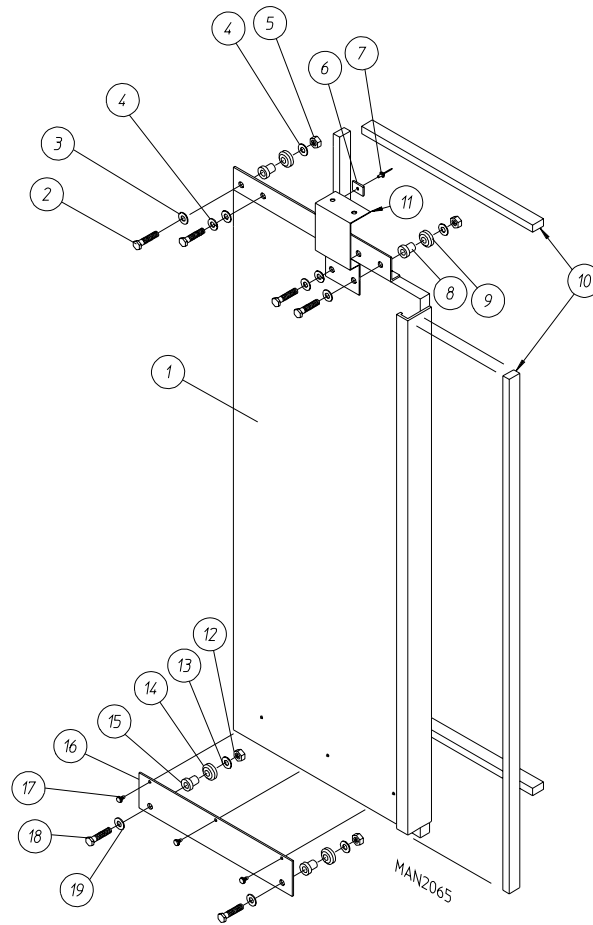
For Models Mfd. prior to November 1, 1995



Illus. No.	Part No.	Qty.	Description
1*	801060	1	Right Manual Load Door Assembly Complete (includes illus. nos. 1 through 14)
	881107	1	Right Manual Load Door ONLY
2	102215	1	Glass Window
	170730	—	Glass Window Adhesive (10.3 oz. cartridge)
3	150112	4	1/4-20 x 1-1/4" Hex Head Machine Screw
4	153007	4	1/4" Lock Washer
5	153018	4	1/4" Flat Washer
6*	332996	2	Door Trolley Adjustment Plate
7	170367	2	Stainless Steel Stationary Bushing
8	170366	2	Stainless Steel Sealed Wheel
9	152002	2	1/4-20 Hex Nut
10	102102	1	Magnet (.215)
11	154200	1	5/32" Pop Rivet
12	115995	80	Felt Gasket (sold by the inch)
13	150301	4	#8-18 x 7/16" Phillips Pan Head TEK Screw
14	170357	1	Lower Door Slide

* Specify color when ordering.

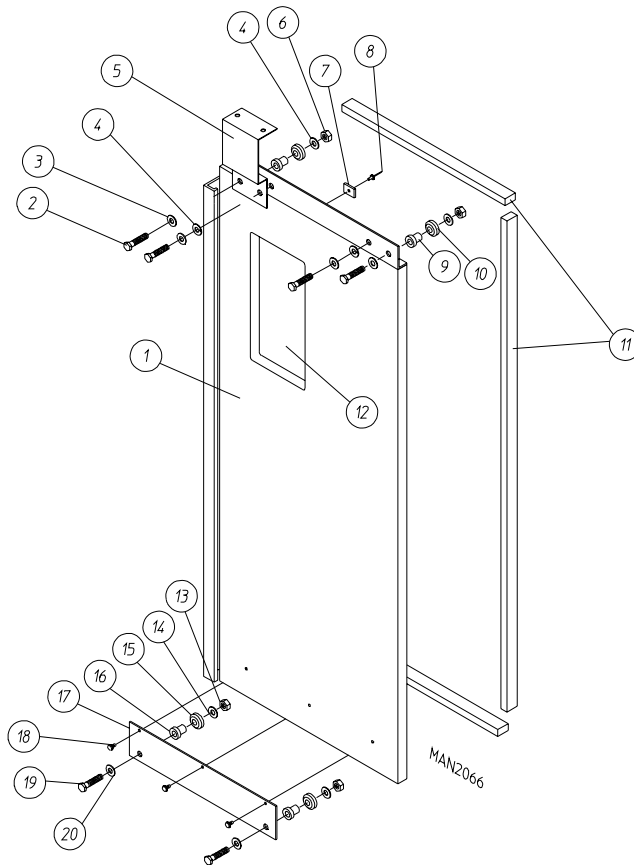
Left Automatic Load Door Assembly



Illus. No.	Part No.	Qty.	Description
1*	881112	1	Left Automatic Load Door Assembly Complete (includes illus. nos. 1 through 11)
	881106	1	Left Automatic Load Door ONLY
2	150112	4	1/4-20 x 1-1/4" Hex Head Machine Screw
3	153018	4	1/4" Flat Washer
4	153007	4	1/4" Lock Washer
5	152002	2	1/4-20 Hex Nut
6	102102	1	Magnet (.215)
7	154200	1	5/32" Pop Rivet
8	170367	2	Stainless Steel Stationary Bushing
9	170366	2	Stainless Steel Sealed Wheel
10	115995	125	Felt Gasket (sold by the inch)
11*	334134	1	Automatic Door Bracket
12	152002	2	1/4-20 Hex Nut
13	153007	2	1/4" Lock Washer
14	170366	2	Stainless Steel Sealed Wheel
15	170367	2	Stainless Steel Stationary Bushing
16*	881133	1	Lower Trolley Assembly Complete (includes illus. nos. 12 through 16, 18, and 19)
	334123	1	Lower Trolley ONLY
17	150301	3	#8-18 x 7/16" Phillips Pan Head TEK Screw
18	150112	2	1/4-20 x 1-1/4" Hex Head Machine Screw
19	153018	2	1/4" Flat Washer

* Specify color when ordering.

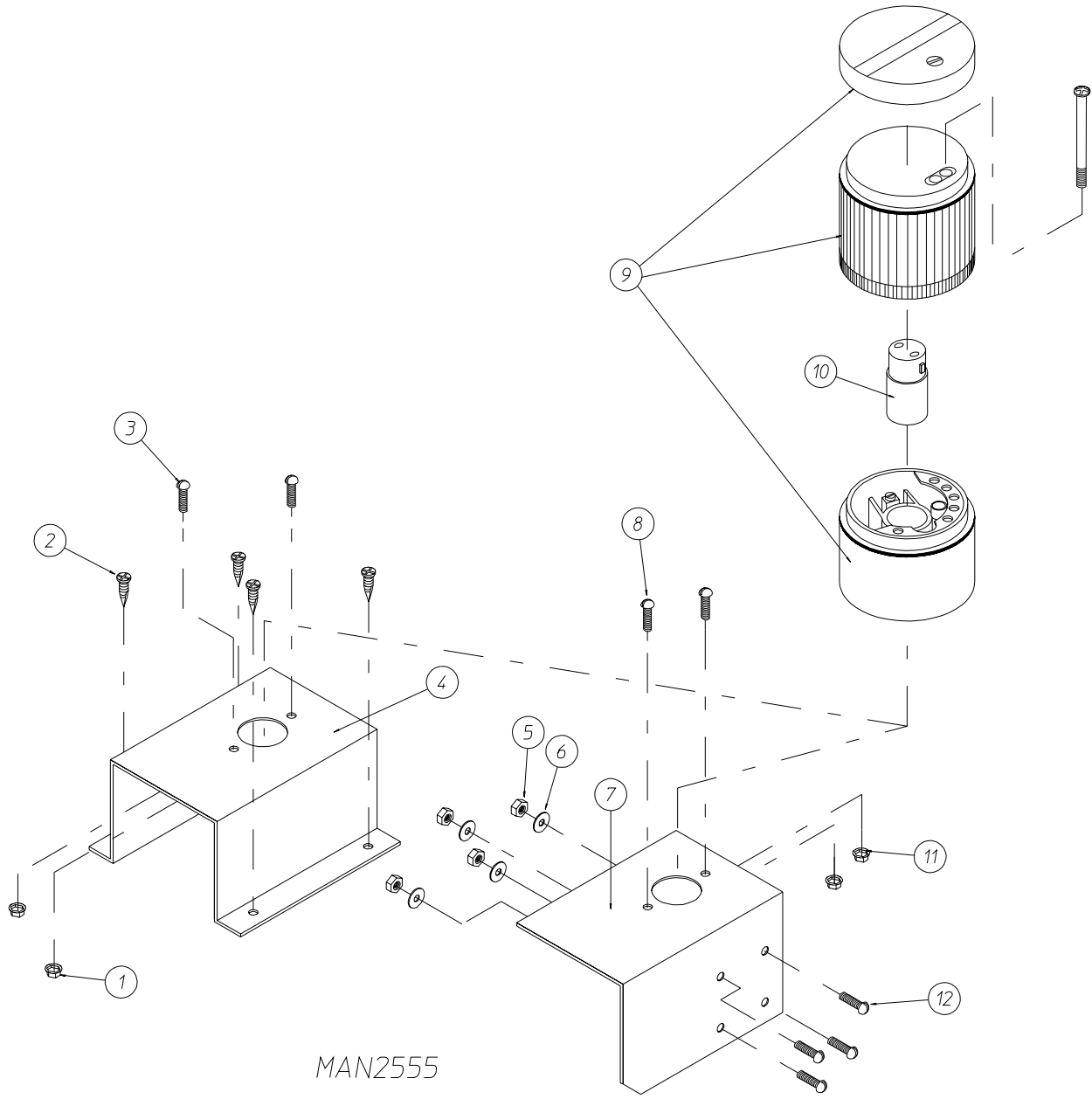
Right Automatic Load Door Assembly



Illus. No.	Part No.	Qty.	Description
1*	881113	1	Right Automatic Load Door Assembly Complete (includes illus. nos. 1 through 12)
	881107	1	Right Automatic Load Door ONLY
2	150112	4	1/4-20 x 1-1/4" Hex Head Machine Screw
3	153018	4	1/4" Flat Washer
4	153007	4	1/4" Lock Washer
5*	334134	1	Automatic Door Bracket
6	152002	2	1/4-20 Hex Nut
7	102102	1	Magnet
8	154200	1	5/32" Pop Rivet
9	170367	2	Stainless Steel Stationary Bushing
10	170366	2	Stainless Steel Sealed Wheel
11	115995	80	Felt Gasket (sold by the inch)
12	102215	1	Glass Window
	170730	1	Glass Adhesive (10.3 oz. cartridge)
13	152002	2	1/4-20 Hex Nut
14	153007	2	1/4" Lock Washer
15	170366	2	Stainless Steel Sealed Wheel
16	170367	2	Stainless Steel Stationary Bushing
17*	881133	1	Lower Trolley Assembly Complete (includes illus. nos. 13 through 17, 19, and 20)
	334123	1	Lower Trolley ONLY
18	150301	3	#8-18 x 7/16" Phillips Pan Head TEK Screw
19	150112	2	1/4-20 x 1-1/4" Hex Head Machine Screw
20	153018	2	1/4" Flat Washer

* Specify color when ordering.

End of Cycle Light Assembly

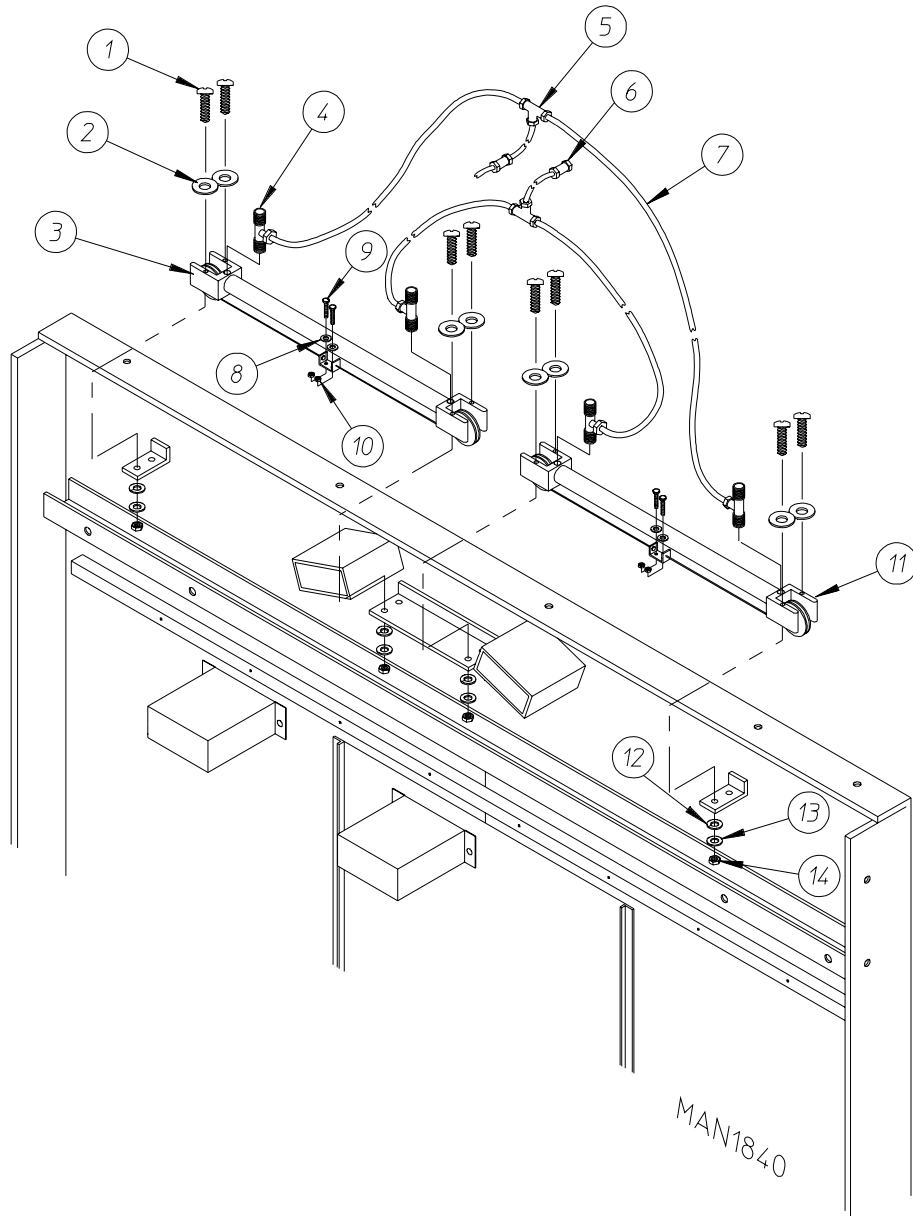


MAN2555

Illus. No.	Part No.	Qty.	Description
1	151001	2	#8-32 Pal Nut
2	150309	4	#10-16 x 1/2" Phillips Head Crimptite Screw
3	150108	2	#8-32 x 1/2" Phillips Pan Head Machine Screw
4*	821480	1	Cycle Light Bracket (for steam models Only)
5	152001	4	#8-32 Hex Nut
6	153012	4	#8 Star Washer
7*	332850	1	Cycle Light Bracket (for gas models Only)
8	150108	2	#8-32 x 1/2" Phillips Pan Head Machine Screw
9	123222	1	"Orange" Cycle Light
10	123221	1	Incandescent Lamp – 24 VAC
11	151001	2	#8-32 Pal Nut
12	150108	4	#8-32 x 1/2" Phillips Head Machine Screw

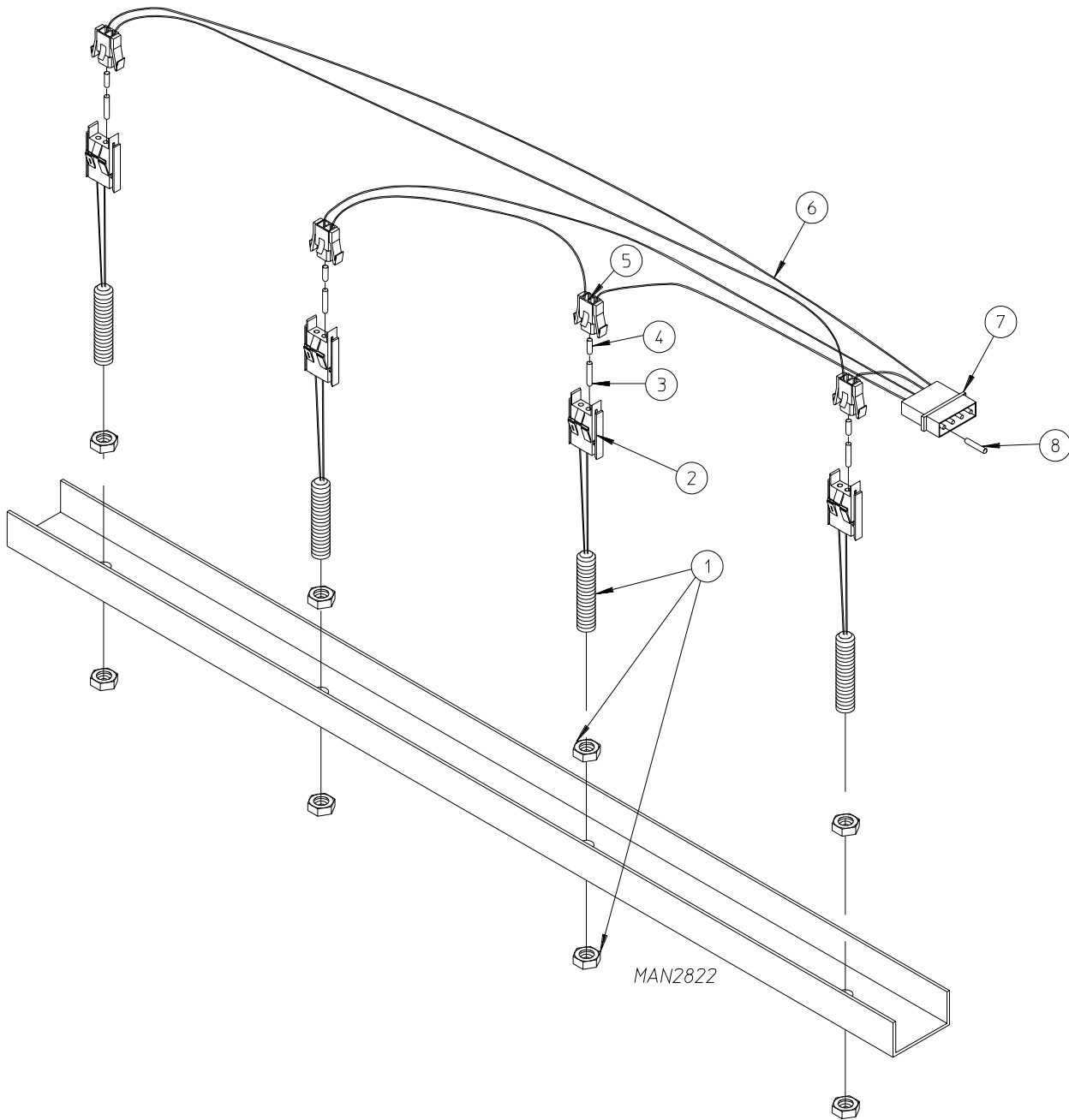
* Specify color when ordering.

Automatic Door Pneumatic Assembly



<u>Illus. No.</u>	<u>Part No.</u>	<u>Qty.</u>	<u>Description</u>
1	150308	8	#8-32 x 2-1/2" Machine Screw
2	153000	8	#8 Flat Washer
3	100431	1	Cable Cylinder
4	128978	4	1/8" N.P.T. x 1/4" Tube Flow Control
5	143156	2	1/4" Poly Tee
6	143154	2	1/4" Brass Poly Connector
7	143110	38	1/4" Poly-Flo Tubing (sold by the foot)
8	153012	4	#8 Star Washer
9	150103	4	#8-32 x 3/4" Phillips Round Head Machine Screw
10	152001	4	#8-32 Hex Nut
11	100431	1	Cable Cylinder
12	153000	8	#8 Flat Washer
13	153012	8	#8 Star Washer
14	152001	8	#8-32 Hex Nut

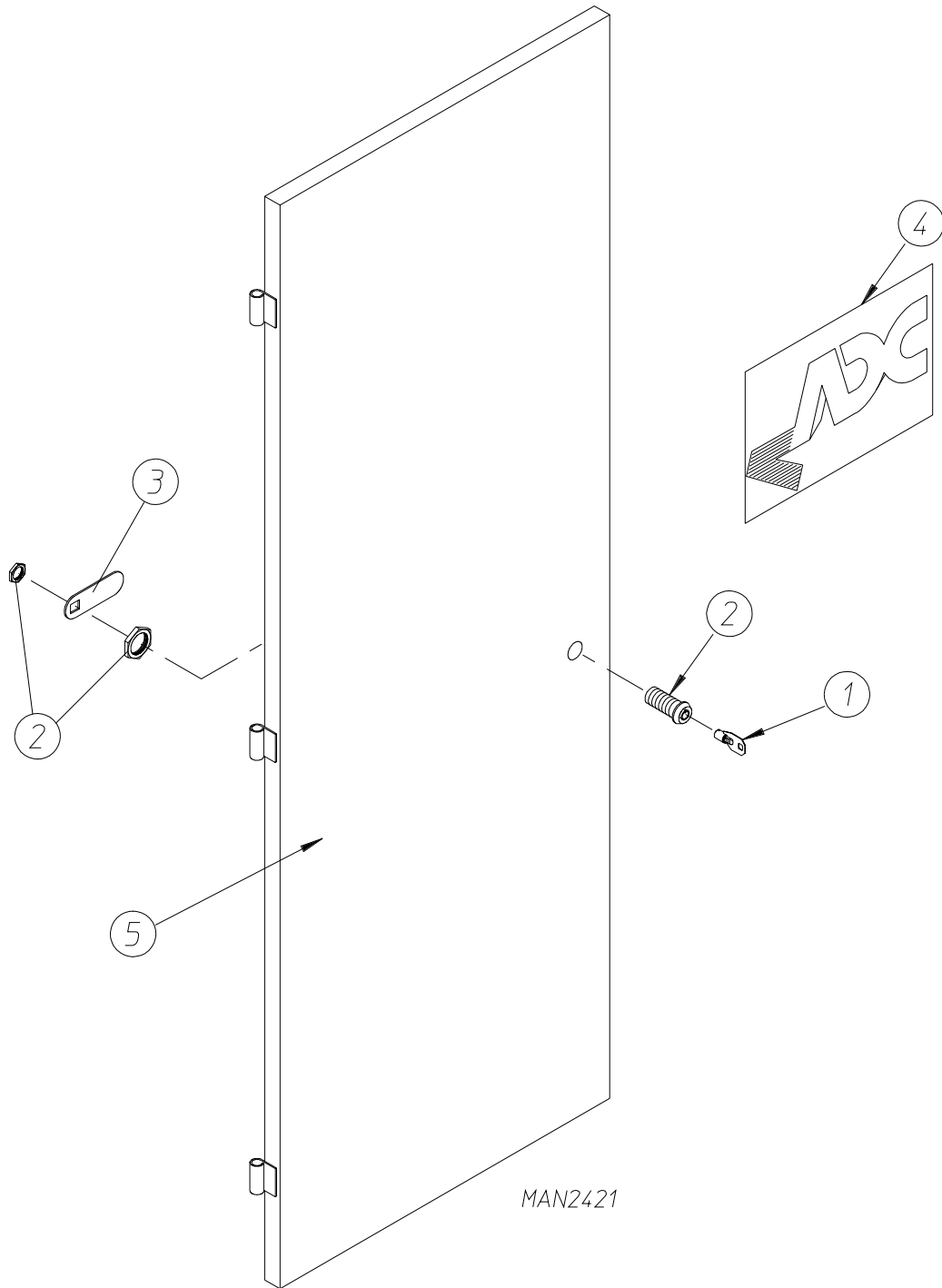
Magnetic Door Switch Assembly



<u>Illus. No.</u>	<u>Part No.</u>	<u>Qty.</u>	<u>Description</u>
1	826514	4	Magnetic Door Switch Assembly (includes illus. nos. 1 through 3)
2	122598	4	2-Pin Connector Male
3	137028	8	Pin ONLY
4	137021	8	Microprocessor Socket ONLY
	122800	1	Microprocessor (female) Pin Extraction Tool
5	122599	4	2-Pin Socket Connector
6	881240	1	"Closed Position" Door Switch Harness (includes illus. nos. 4 through 8)
7	122598	1	2-Pin Connector Male
8	137028	4	Pin ONLY

Left Control Door Assembly

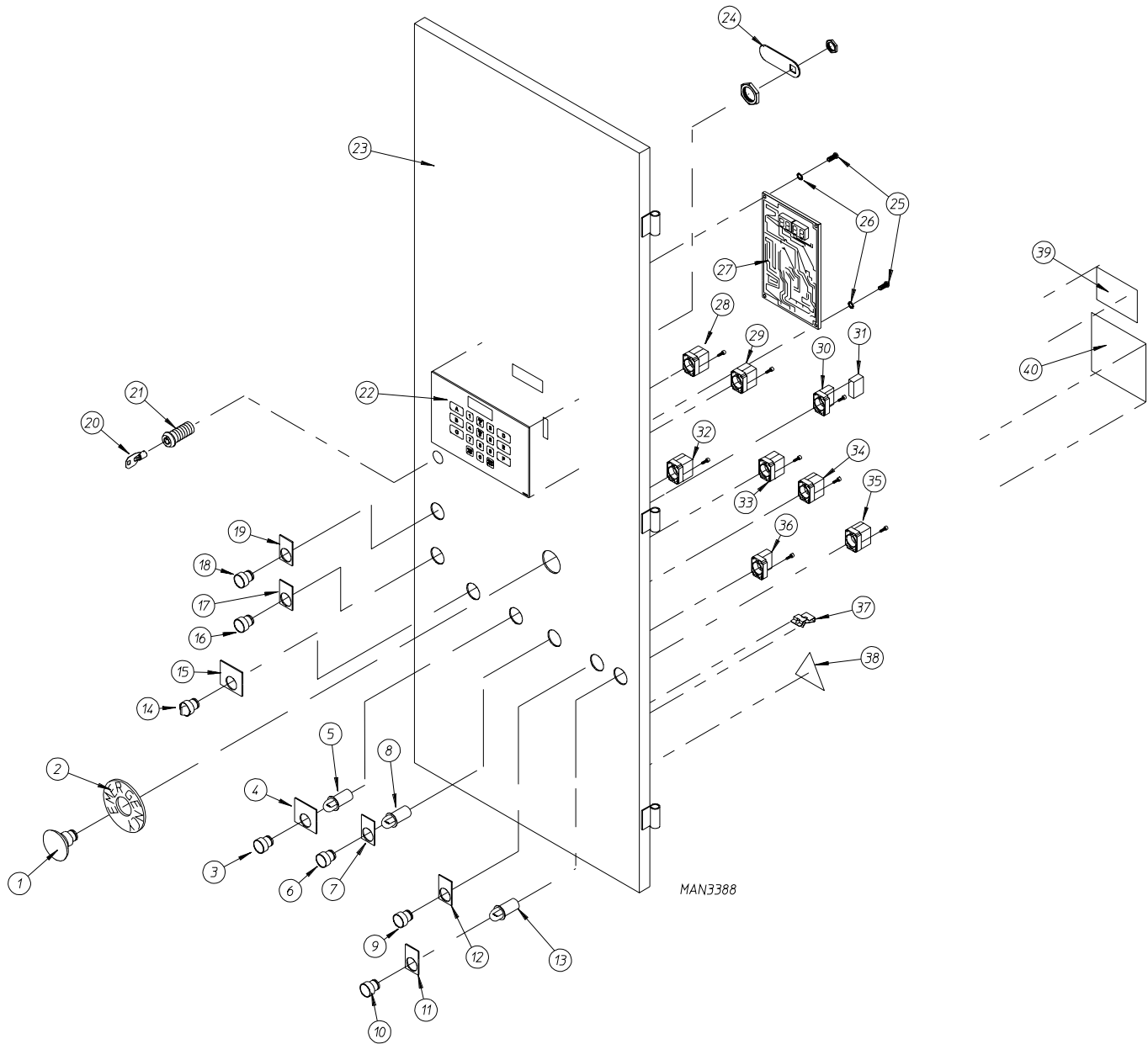
For 1 Door or 2 Door Models



<u>Illus. No.</u>	<u>Part No.</u>	<u>Qty.</u>	<u>Description</u>
1	160140	1	Key ONLY (keyed XX4451) for Control Door Lock
2	160050	1	Control Door Lock Less Key (keyed XX4451)
3	160014	1	Cam
4	112303	1	ADC Logo ONLY
5*	821334	1	Left Hand Control Door ONLY

* Specify color when ordering.

Right Front Control Door Assembly



Right Front Control Door Assembly

<u>Illus. No.</u>	<u>Part No.</u>	<u>Qty.</u>	<u>Description</u>
1	122351	1	"EMERGENCY STOP" Mushroom Head Switch
2	122419	1	"EMERGENCY STOP" Nameplate
3*	123208	1	Red Lighted Operator
4*	122437	1	"Heater Fault" Engraved Nameplate
5*	123212	1	24 VAC Incandescent Bulb
6	123201	1	Green Lighted Operator
7	122410	1	"ON" Nameplate
8	123212	1	Incandescent Bulb – 24 VAC
9	123204	1	Red Push-Button Operator
10**	123200	1	Amber Lighted Push-Button Operator
11**	122420	1	"Sprinkler Stop" Engraved Label
12	122421	1	"OFF" Standard Nameplate
13**	123211	1	Panel Light Bulb – 120 VAC
14	122360	1	2-Position Selector Switch
15	122434	1	"Doors – Open / Close" Engraved Nameplate
16	123202	1	White Push-Button Operator
17	122416	1	"Reverse" Nameplate
18	123203	1	Black Push-Button Operator
19	122415	1	"Forward" Nameplate
20	160140	1	Key ONLY (keyed XX4451)
21	160050	1	Control Door Lock ONLY Less Key
22	112535	1	Non-Coin English Keypad Label Assembly
23***	————	1	Right Hand Control Door Assembly (contact factory with dryer serial number)
24	160014	1	Cam
25	150005	2	#6-32 x 1/4" Phillips Round Head Machine Screw
26	153010	2	#6 Star Washer
27	881129	1	Phase 5 Non-Coin Reversing Microprocessor (computer) with External Programmable Logic Computer Interface
	137227	1	Phase 5 Non-Coin Reversing Microprocessor with Interface Connector
28	132396	1	Mounting Base with 1 Normally Open and 1 Normally Closed Contact Block
29	132396	1	Mounting Base with 1 Normally Open and 1 Normally Closed Contact Block
30	132395	1	Mounting Base with 1 Normally Closed Contact Block
31	132387	1	Normally Closed Contact Block
32	132394	1	Mounting Base with 1 Normally Open Contact Block
33*	132388	1	Normally Open Contact Block with Direct Supply Base
34	132388	1	Normally Open Contact Block with Direct Supply Base
35**	132388	1	Normally Open Contact Block with Direct Supply Base
36	132395	1	Mounting Base with 1 Normally Closed Contact Block
37	121509	3	Metal Clip On Mount
38	122424	1	"Power Warning" Label
39	112095	1	"Phase 5 Computer 'A-B' Factor" Label
40	112534	1	"Phase 5 OPL Program Location Summary" Label

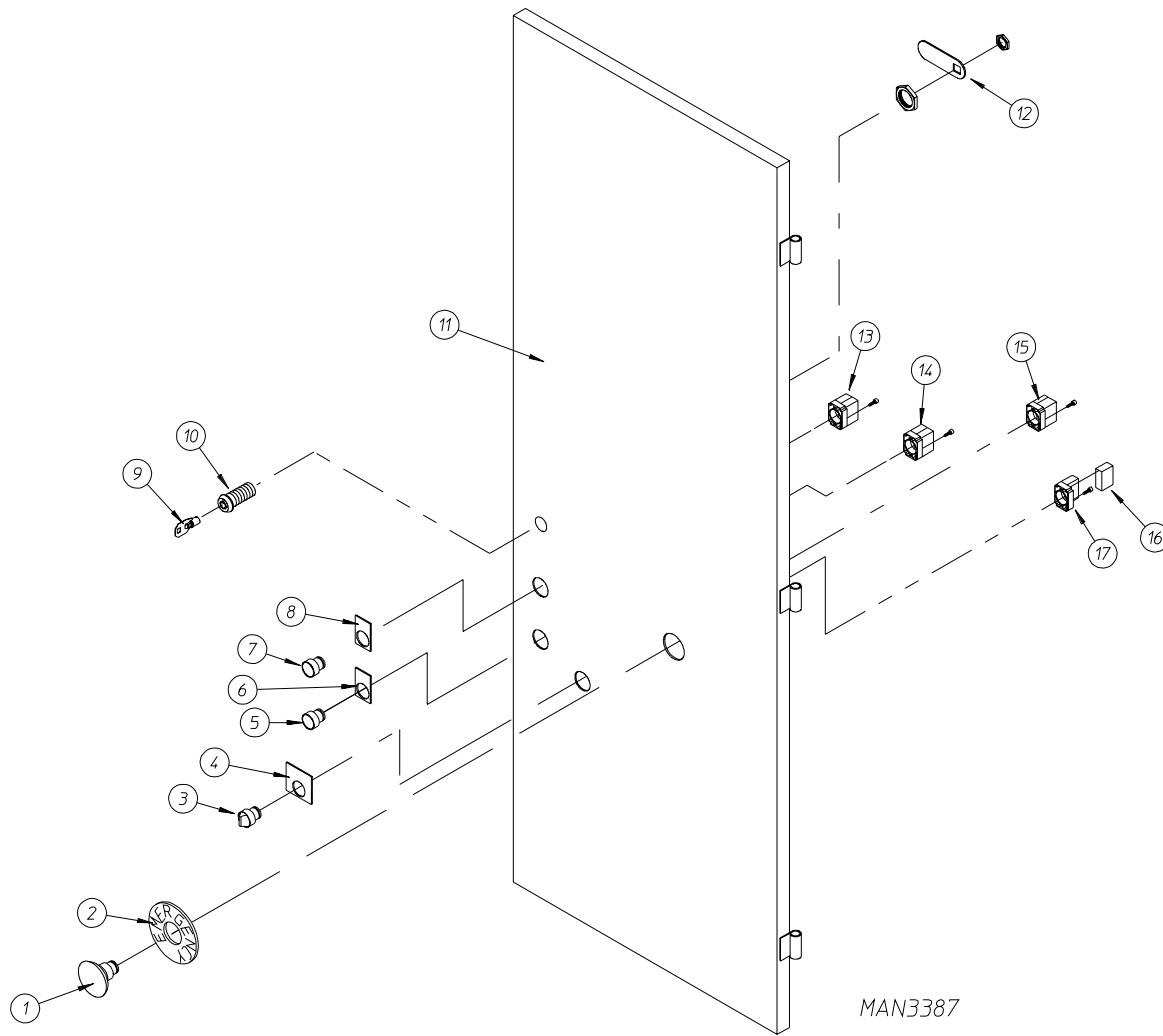
* For gas models only.

** For models with sprinkler option.

*** Specify color when ordering.

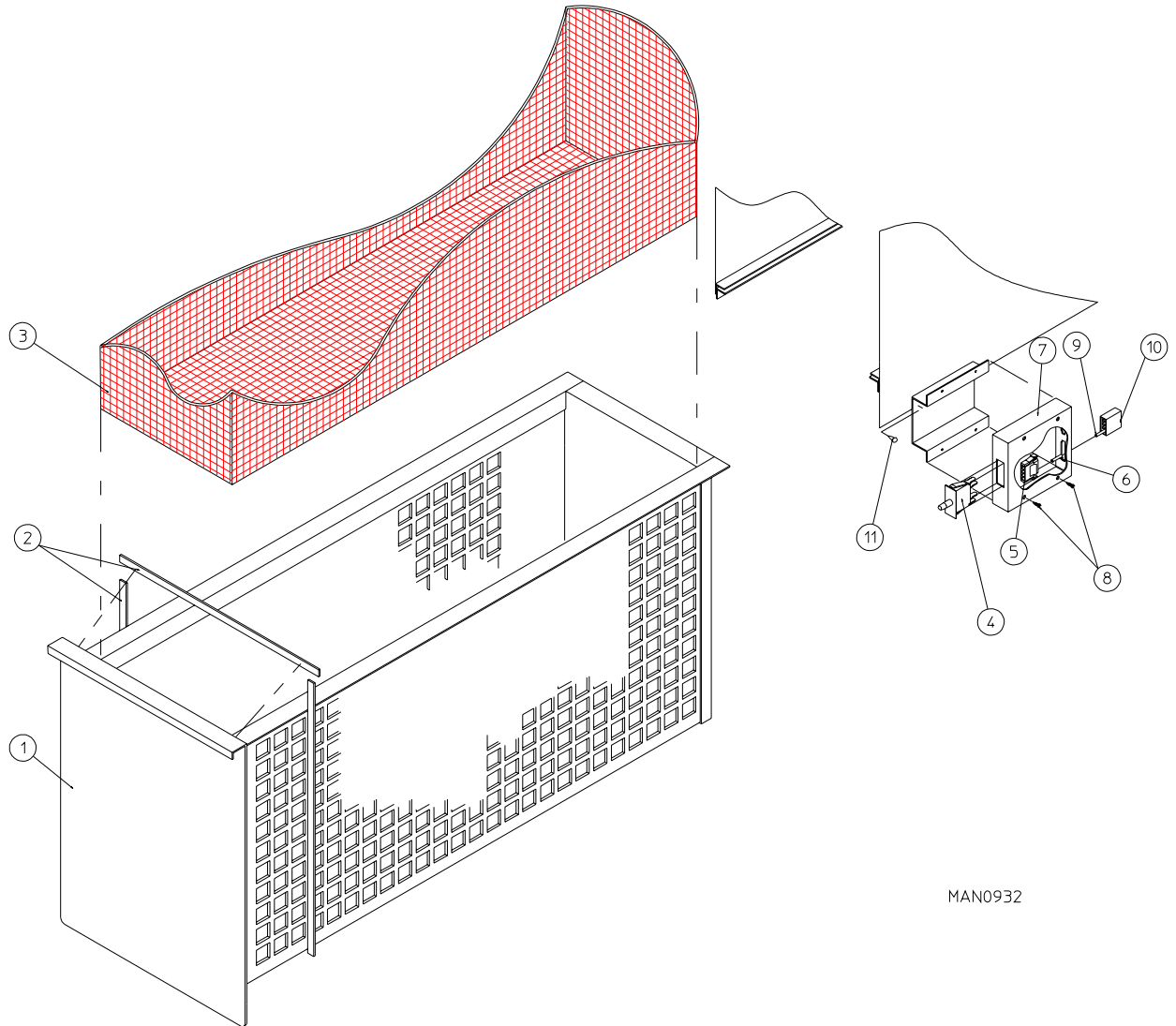
Right Rear Control Door Assembly

For 2 Door Models



Illus. No.	Part No.	Qty.	Description
1	122351	1	"EMERGENCY STOP" Mushroom Head Switch
2	122419	1	"EMERGENCY STOP" Nameplate
3	122360	1	2-Position Selector Operator
4	122434	1	"Doors – Open / Close" Special Nameplate
5	123202	1	White Push-Button Operator
6	122416	1	"Reverse" Nameplate
7	123203	1	Black Push-Button Operator
8	122415	1	"Forward" Nameplate
9	160140	1	Key ONLY (keyed XX4451)
10	160050	1	Control Door Lock ONLY Less Key
11*	—	1	Right Hand Control Door Assembly (contact factory with dryer serial number)
12	160014	1	Cam
13	132396	1	Mounting Base with 1 Normally Open and 1 Normally Closed Contact Block
14	132396	1	Mounting Base with 1 Normally Open and 1 Normally Closed Contact Block
15	132394	1	Mounting Base with Normally Closed Contact Block
16	132387	1	Normally Closed Contact Block
17	132395	1	Mounting Base with Normally Closed Contact Block

* Specify color when ordering.



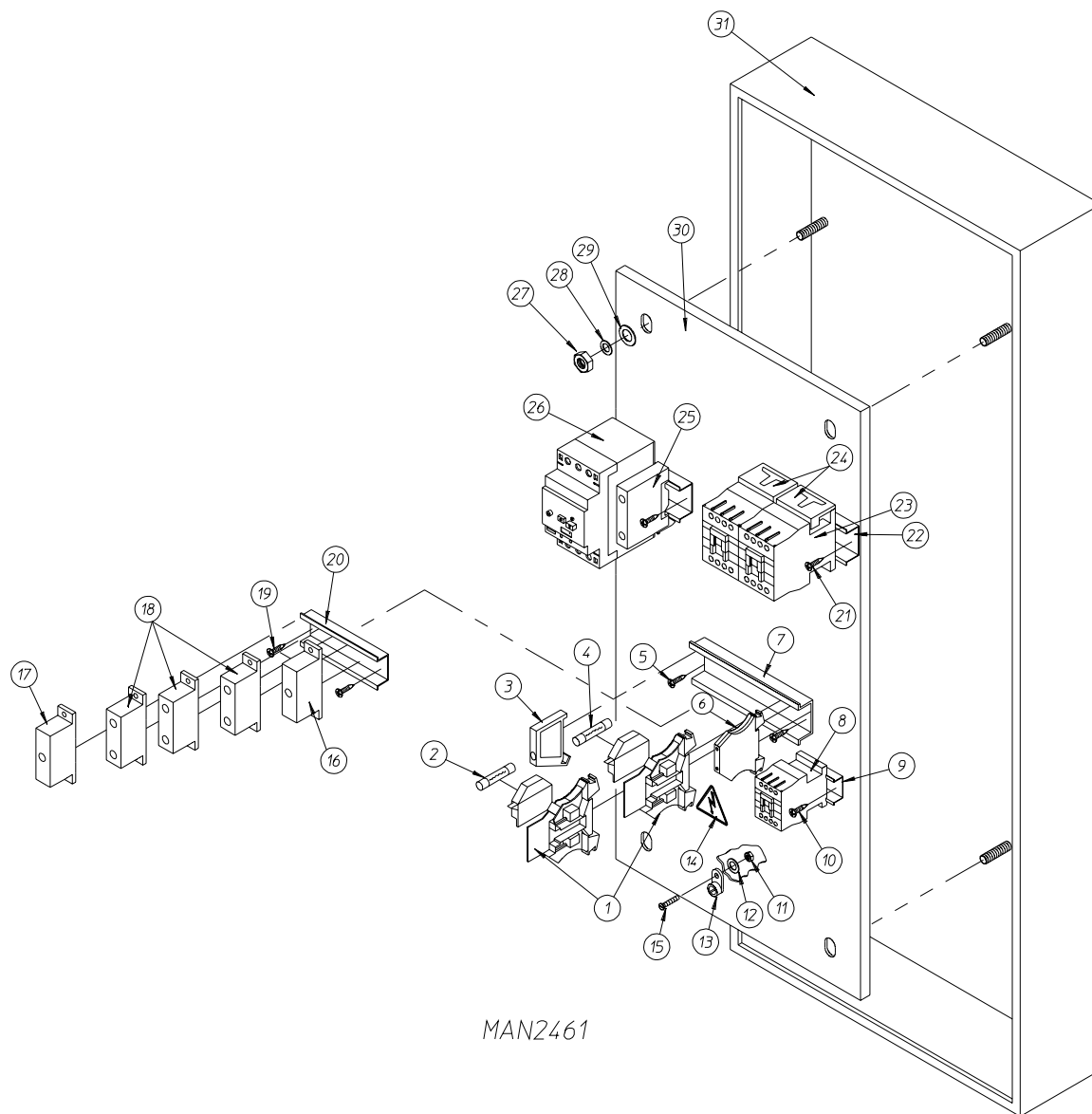
MAN0932

Illus. No.	Part No.	Qty.	Description
1*	881497	1	Lint Drawer Assembly Complete (includes illus. nos. 1 and 2)
2	117602	7	Noise Suppressor Tape (sold by the foot)
3	823004	1	Lint Screen Assembly
	827104	1	Lint Screen Assembly (fine mesh – optional)
4	122116	1	Lint Drawer Switch ONLY
5	122605	2	4-Pin Socket Connector ONLY
6	122701	4	Socket Terminal ONLY
	122801	1	Pin / Socket Extraction Tool
7	800264	1	Lint Drawer Switch Box Assembly Complete (includes illus. nos. 4 through 7)
	304034	1	Lint Drawer Switch Box Cover ONLY
8	150301	4	#8-18 x 7/16" Phillips Pan Head TEK Screw
9	122700	4	Pin Terminal ONLY
10	122604	2	4-Pin Connector ONLY
11	150301	2	#8-18 x 7/16" Phillips Pan Head TEK Screw

* Specify color when ordering.

Left Hand Electrical Control Panel

For Models with Thermal Magnetic Protection Only



MAN2461

Illus. No.	Part No.	Qty.	Description
1	120721	2	Fuse Holder ONLY
2	136101	1	0.8-Amp (Slo-Blo) Fuse (for 208/240 volt models Only)
	136057	1	0.5-Amp (Slo-Blo) Fuse (for 380 volt models Only)
	136102	1	0.4-Amp (Slo-Blo) Fuse (for 416/460 volt models Only)
	136105	1	0.3-Amp (Slo-Blo) Fuse (for 575 volt models Only)
3	120765	1	End Stop
4	136101	1	0.8-Amp (Slo-Blo) Fuse (for 208/240 volt models Only)
	136057	1	0.5-Amp (Slo-Blo) Fuse (for 380 volt models Only)
	136102	1	0.4-Amp (Slo-Blo) Fuse (for 416/460 volt models Only)
	136105	1	0.3-Amp (Slo-Blo) Fuse (for 575 volt models Only)
5	150309	2	#10-16 x 1/2" Hex Head TEK CrimpTite Screw
6	120750	1	Ground Block (for models mfd. as of May 30, 1996)
	120765	1	End Stop (for models mfd. prior to May 30, 1996)

Left Hand Electrical Control Panel

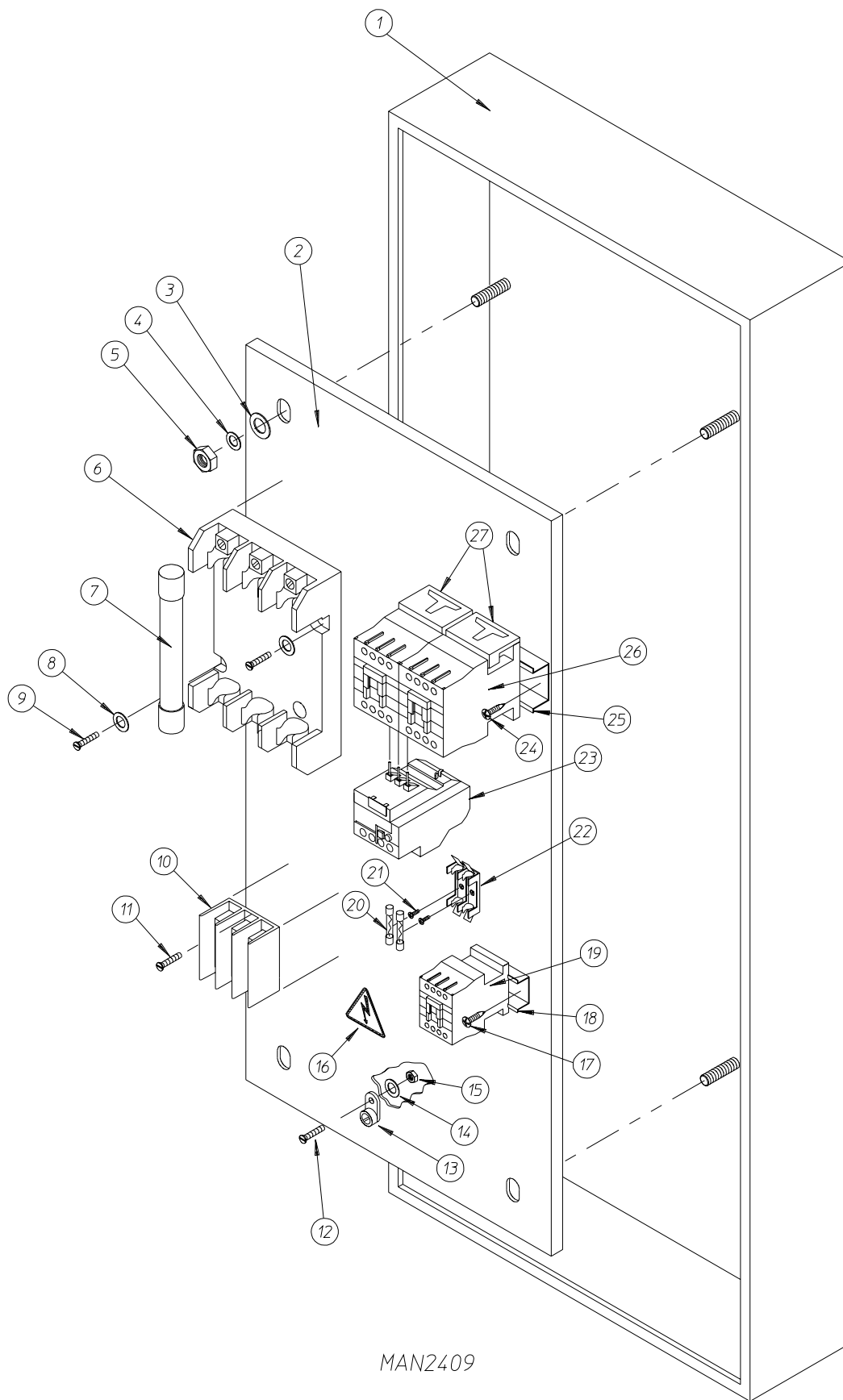
For Models with Thermal Magnetic Protection Only

<u>Illus. No.</u>	<u>Part No.</u>	<u>Qty.</u>	<u>Description</u>
7	120768	—	Din Mounting Rail (sold by the inch)
8*	132444	1	Control Relay
9*	120768	—	Din Mounting Rail (sold by the inch)
10*	150309	2	#10-16 x 1/2" Hex Head TEK Crimptite Screw
11	152002	1	1/4-20 Hex Nut
12	153007	1	1/4" Lock Washer
13	121012	2	Ground Lug
14	122424	1	"Power Warning" Label
15	150510	1	1/4-20 x 3/4" Hex Head Machine Bolt
16	120770	1	End Stop
17	120770	1	End Stop
18	120760	3	Power Distribution Block
19	150309	2	#10-16 x 1/2" Hex Head TEK Crimptite Screw
20	120768	—	Din Mounting Rail (sold by the inch)
21	150309	2	#10-16 x 1/2" Hex Head TEK Crimptite Screw
22	120768	—	Din Mounting Rail (sold by the inch)
23	132424	1	Reversing Contactor (for 208/240 volt models Only)
	132434	1	Reversing Contactor (for 380/416/460 volt models Only)
24	132437	2	Varistor
25	132389	1	Auxiliary Contact Block (for part no. 131963 and part no. 131962 manual starters)
	132384	1	Auxiliary Contact Block (for part no. 131954, part no. 131953, and part no. 131952 manual starters)
26	131963	1	Thermal Magnetic Starter (for 208 volt models mfd. as of October 8, 1996)
	881341	1	Thermal Magnetic Starter Kit Replaces Part No. 131954 used on 208 Volt Models ONLY (for models mfd. prior to October 8, 1996) (includes illus. nos. 25 and 26)
	131963	1	Thermal Magnetic Starter (for 240 volt models mfd. as of May 24, 1996)
	881341	1	Thermal Magnetic Starter Kit Replaces Part No. 131953 used on 240 Volt Models ONLY (for models mfd. prior to May 24, 1996) (includes illus. nos. 25 and 26)
	131962	1	Thermal Magnetic Starter (for 380/416/460 volt models mfd. as of May 24, 1996)
	881339	1	Thermal Magnetic Starter Kit Replaces Part No. 131952 used on 380/416/460 Volt Models ONLY (for models mfd. prior to May 24, 1996) (includes illus. nos. 25 and 26)
27	152005	4	3/8-16 Hex Nut
28	153005	4	3/8" Lock Washer
29	153004	4	3/8" Flat Washer
30	334269	1	Left Hand Electrical Panel
31	_____		Left Control Cabinet (refer to appropriate Front Panel Assembly or Rear Panel Assembly)

* For models with sprinkler option.

Left Control Panel Assembly

For Models with Fuse Protection Only



MAN2409

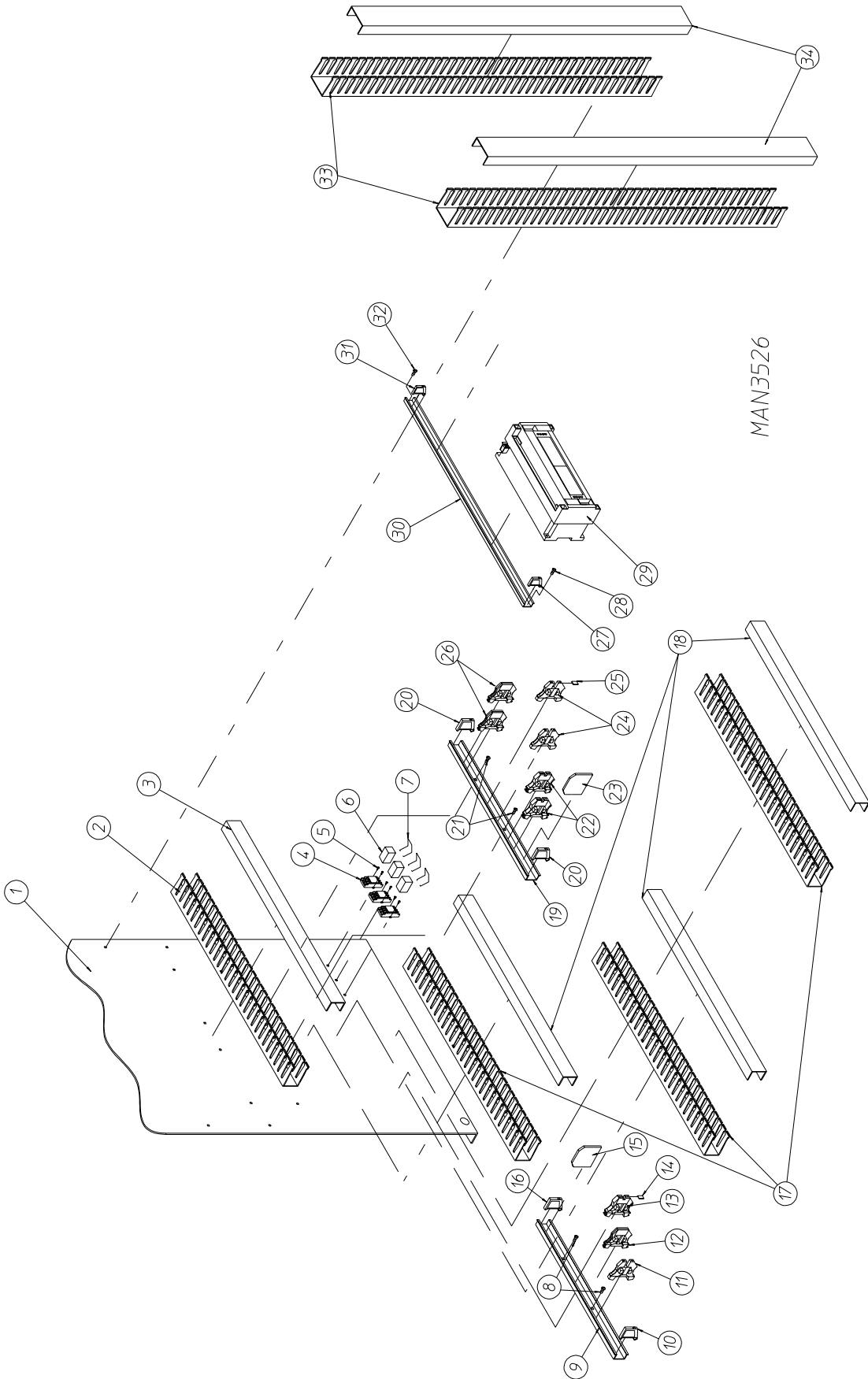
Left Control Panel Assembly

For Models with Fuse Protection Only

<u>Illus. No.</u>	<u>Part No.</u>	<u>Qty.</u>	<u>Description</u>
1	————		Left Control Cabinet (refer to appropriate Front Panel Assembly or Rear Panel Assembly)
2	341370	1	Left Hand Electrical Panel
3	153004	4	3/8" Flat Washer
4	153005	4	3/8" Lock Washer
5	152005	4	3/8-16 Hex Nut
6	136004	1	600 Volt Fuse Holder
7	136024	3	20-Amp Dual Element Fuse (for 208/240 volt models Only)
	136025	3	12-Amp Dual Element Fuse (for 380/416 volt models Only)
	136021	3	15-Amp Dual Element Fuse (for 460 volt models Only)
8	153000	4	#8 Washer
9	150103	4	#8-32 x 3/4" Phillips Round Head Machine Screw
10	120704	1	Power Distribution Block
11	150103	4	#8-32 x 3/4" Phillips Round Head Machine Screw
12	150512	1	1/4-20 x 1/2" Hex Head Machine Bolt
13	121012	1	Ground Lug
14	153007	1	1/4" Lock Washer
15	152002	1	1/4-20 Hex Nut
16	122424	1	"Power Warning" Label
17*	150309	2	#10-16 x 1/2" Hex Head TEK Crimptite Screw
18*	120768	—	Din Mounting Rail (sold by the inch)
19*	132444	1	3 hp Control Relay
20	136101	2	0.8 Amp (Slo-Blo) Fuse (for 208/240 volt models Only)
	136057	2	0.5 Amp (Slo-Blo) Fuse (for 380 volt models Only)
	136102	2	0.4 Amp (Slo-Blo) Fuse (for 416/460 volt models Only)
21	150301	2	#8-18 x 7/16" Phillips Pan Head TEK Screw
22	136008	2	Fuse Holder ONLY
23	132435	1	12-18 Amp Overload Fuse (for 208/240 volt models Only)
	132436	1	7-10 Amp Overload (for 380/416 volt models Only)
	132467	1	9-13 Amp Overload (for 460 volt models Only) (for models mfd. as of August 31, 1995)
	132436	1	7-10 Amp Overload (for 460 volt models Only) (for models mfd. prior to August 31, 1995)
24	150309	2	#10-16 x 1/2" Hex Head TEK Crimptite Screw
25	120768	—	Din Mounting Rail (sold by the inch)
26	132424	1	5 hp Reversing Contactor
27	132437	2	Varistor

* For models with sprinkler option.

Bottom of Right Hand Electrical Panel

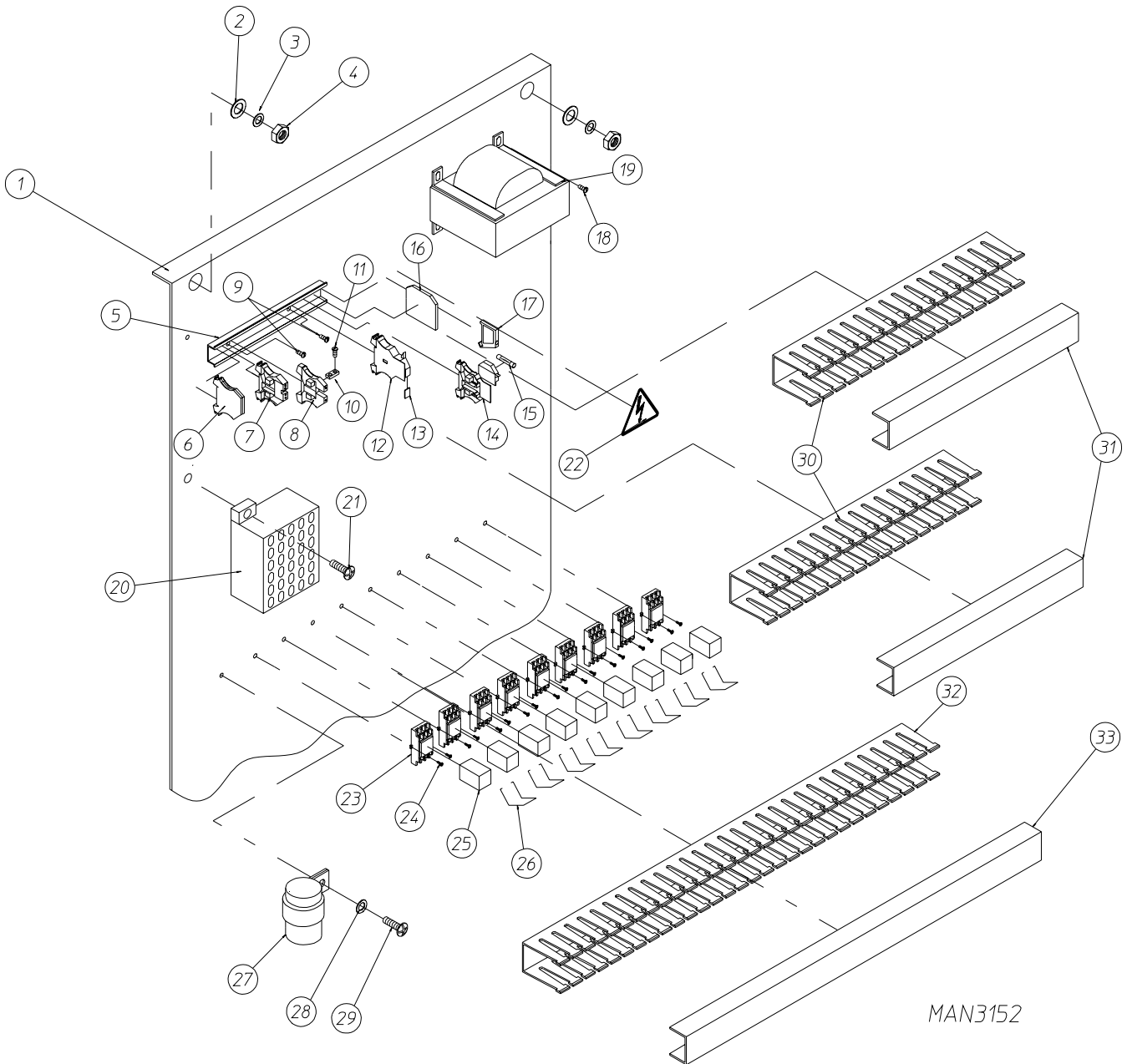


Bottom of Right Hand Electrical Panel

<u>Illus. No.</u>	<u>Part No.</u>	<u>Qty.</u>	<u>Description</u>
1	334342	1	Right Hand Electrical Panel
2	121429	—	Slotted Wall Wireway 2" x 1" (sold by the inch)
3	121422	—	Wireway Cover (sold by the inch)
4	882220	*	Double-Pole-Double-Throw Relay Socket
5	150103	*	#8-32 x 3/4" Phillips Head Machine Screw
6	131412	*	Double-Pole-Double-Throw Relay
7	131409	*	Hold Down (for double-pole-double-throw relay)
8	150309	2	#10-16 x 1/2" Hex Head TEK Crimptite Screw
9	120768	—	Din Mounting Rail (sold by the inch)
10	120765	1	End Stop
11	120758	*	Feed Thru Terminal Block
12	120750	*	Ground Terminal Block
13	120761	*	4-Position Feed Thru Terminal Block
14	120999	*	Marking Tab
15	120766	1	End Plate
16	120765	1	End Stop
17	121429	—	Slotted Wall Wireway 2" x 1" (sold by the inch)
18	121422	—	Wireway Cover (sold by the inch)
19	120768	—	Din Mounting Rail (sold by the inch)
20	120765	2	End Stops
21	150309	2	#10-16 x 1/2" Hex Head TEK Crimptite Screw
22	120761	*	4-Position Feed Thru Terminal Block
23	120766	1	End Plate
24	120758	*	Feed Thru Terminal Block
25	120999	*	Marking Tab
26	120750	*	Ground Terminal Block
27	120765	1	End Stop
28	150309	1	#10-16 x 1/2" Hex Head TEK Crimptite Screw
29	881029	1	Micro-1 Processor Control (preprogrammed)
30	120768	—	Din Mounting Rail (sold by the inch)
31	120765	1	End Stop
32	150309	1	#10-16 x 1/2" Hex Head TEK Crimptite Screw
33	121429	—	Slotted Wall Wireway 2" x 1" (sold by the inch)
34	121422	—	Wireway Cover 1" (sold by the inch)

* As required.

Top of Right Hand Electrical Panel



Top of Right Hand Electrical Panel

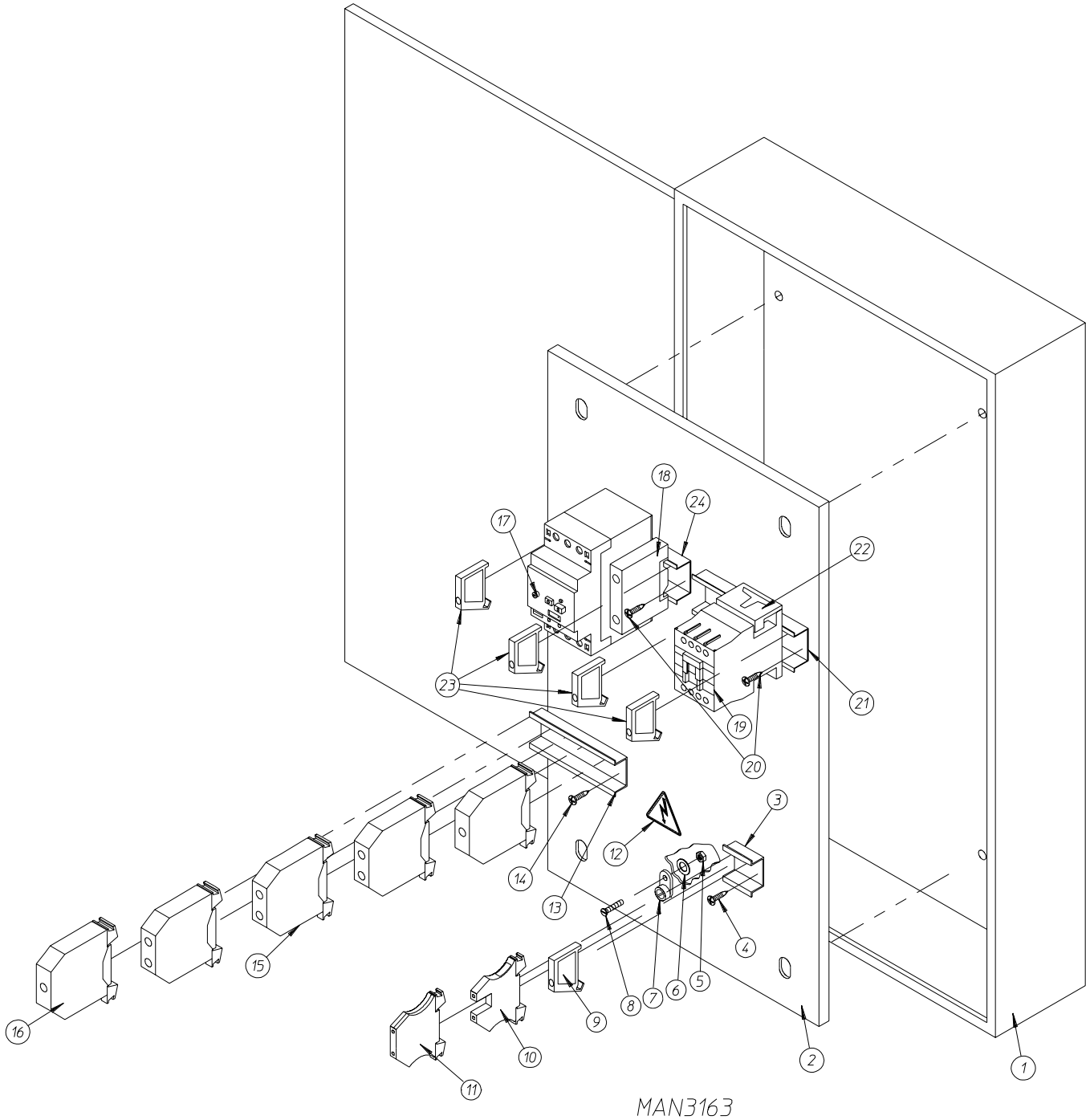
<u>Illus. No.</u>	<u>Part No.</u>	<u>Qty.</u>	<u>Description</u>
1	334342	1	Right Hand Electrical Panel
2	153004	4	3/8" Flat Washer
3	153005	4	3/8" Lock Washer
4	152005	4	3/8-16 Hex Nut
5	120768	—	Din Mounting Rail (sold by the inch)
6	120750	*	Ground Blocks
7	120761	*	4-Position Feed Thru Terminal Block
8	120758	*	Feed Thru Terminal Block
9	150309	2	#10-16 x 1/2" Hex Head TEK Crimptite Screw
10	120990	*	2 Pole Bus Bar for Disconnect Blocks
11	120998	*	Screw for Bus Bar
12	120752	*	Terminal Block with Disconnect
13	120999	*	Marking Tab
14	120721	*	Fused Disconnect Terminal Block
15**	136057	*	1/2-Amp (Slo-Blo) Fuse
	136038	1	8-Amp Fuse
16	120766	1	End Plate
17	120765	1	End Stop
18	150108	4	#8-32 x 1/2" Phillips Pan Head Machine Screw
19	132071	1	150 VA Transformer (for 208 volt models Only)
	132072	1	150 VA Transformer (for 240 volt models Only)
	132073	1	150 VA Transformer (for 380 volt models Only)
	132074	1	150 VA Transformer (for 416 volt models Only)
	132075	1	150 VA Transformer (for 480 volt models Only)
	132076	1	150 VA Transformer (for 600 volt models Only)
20	120730	1	ABC Terminal Block
21	150106	2	#8-32 x 1" Phillips Round Head Machine Screw
22	122424	1	"Power Warning" Label
23	882220	*	Double-Pole-Double-Throw Relay Socket
24	150103	*	#8-32 x 3/4" Phillips Round Head Machine Screw
25	131412	*	Double-Pole-Double-Throw Relay
26	131409	*	Hold Down (for double-pole-double-throw relays)
27	832350	1	1-Second Flasher with Clip – 24 VAC
28	153000	1	#8 Flat Washer
29	150108	1	#8-32 x 1/2" Phillips Pan Head Machine Screw
30	121429	—	Slotted Wall Wireway 2" x 1" (sold by the inch)
31	121422	—	Wireway Cover (sold by the inch)
32	121429	—	Slotted Wall Wireway 2" x 1" (sold by the inch)
33	121422	—	Wireway Cover (sold by the inch)

* As required.

** Check fuse rating for verification.

Base Main Electrical Junction Box Assembly

For Models with Thermal Magnetic Protection Only



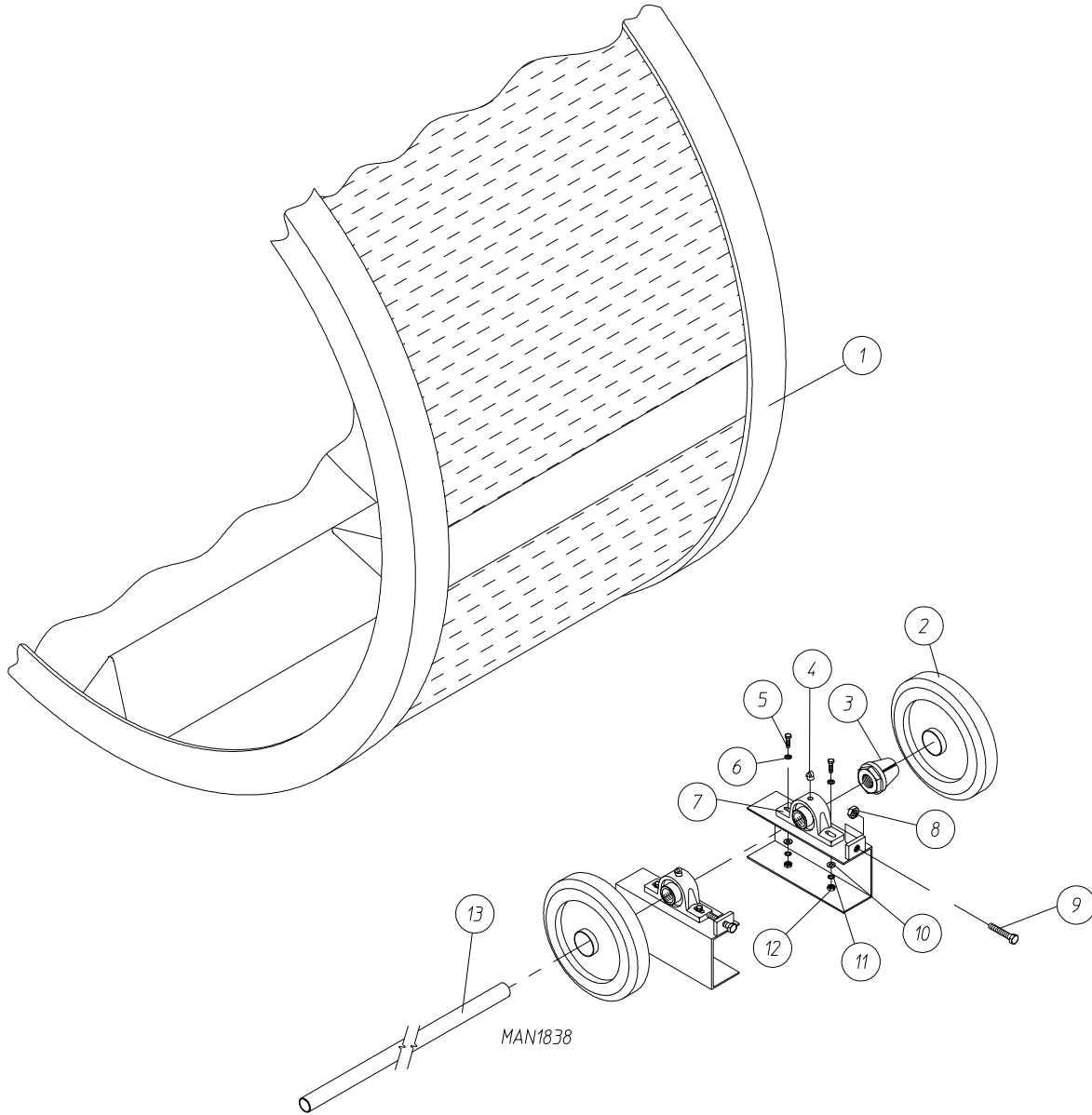
Base Main Electrical Junction Box Assembly

For Models with Thermal Magnetic Protection Only

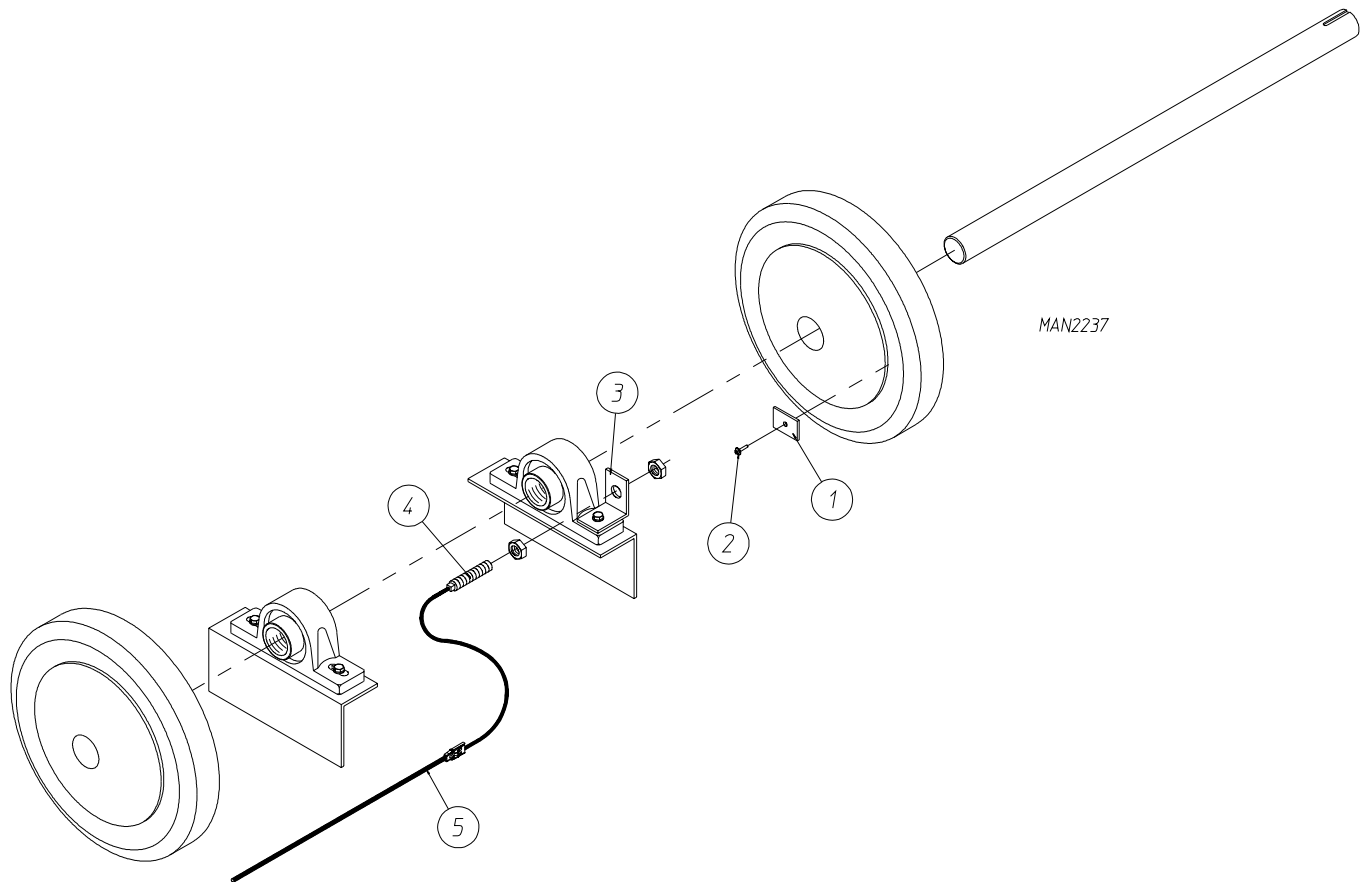
<u>Illus. No.</u>	<u>Part No.</u>	<u>Qty.</u>	<u>Description</u>
1	—	1	Base Electrical Junction Box
2	331499	1	Power Junction Box Panel
3*	120768	—	Din Mounting Rail (sold by the inch)
4*	150522	2	1/4-20 x 1/2" Hex Washer Screw
5	152002	1	1/4-20 Hex Nut
6	153007	1	1/4" Lock Washer
7	121012	2	Ground Lug
8	150510	1	1/4-20 x 3/4" Hex Head Machine Bolt
9*	120765	1	End Stop
10*	120758	2	Feed Thru Terminal Block
11*	120750	1	Ground Block
12	122424	1	"Power Warning" Label
13	120768	—	Din Mounting Rail (sold by the inch)
14	150522	2	1/4-20 x 1/2" Hex Washer TEK Screw
15	120760	3	Terminal Block
16	120770	2	End Bracket
17	131955	1	208-240 Volt Thermal Magnetic Starter (for gas models Only)
	131964	1	380-460 Volt Thermal Magnetic Starter (for gas models Only)
	131956	1	208-240 Volt Thermal Magnetic Starter (for steam models Only)
	131957	1	380-460 Volt Thermal Magnetic Starter (for steam models Only)
18	132384	1	Auxiliary Contact Block (for all steam models and 208-240 volt gas models Only)
	132389	1	Auxiliary Contact Block (for 380-460 volt gas models Only)
19	132480	1	3-Phase (3 ϕ) Blower Contactor (for 208-240 volt gas models Only)
	132465	1	3-Phase (3 ϕ) Blower Contactor (for 380-460 volt gas models Only)
	132479	1	3-Phase (3 ϕ) Blower Contactor (for 208-240 volt steam models Only)
	132480	1	3-Phase (3 ϕ) Blower Contactor (for 380 volt steam models Only)
	132481	1	3-Phase (3 ϕ) Blower Contactor (for 400-460 volt steam models Only)
20	150522	2	1/4-20 x 1/2" Hex Washer Screw
21	120768	—	Din Mounting Rail (sold by the inch)
22	132485	1	Varistor (for all steam models and 208-240 volt gas models Only)
	132437	1	Varistor (for 380-460 volt gas models Only)
23	120765	4	End Stop (for 380-460 volt gas models Only)
24	120768	—	Din Mounting Rail (sold by the inch)

* For models with sprinkler option.

Tumbler and Idler Shaft Assemblies

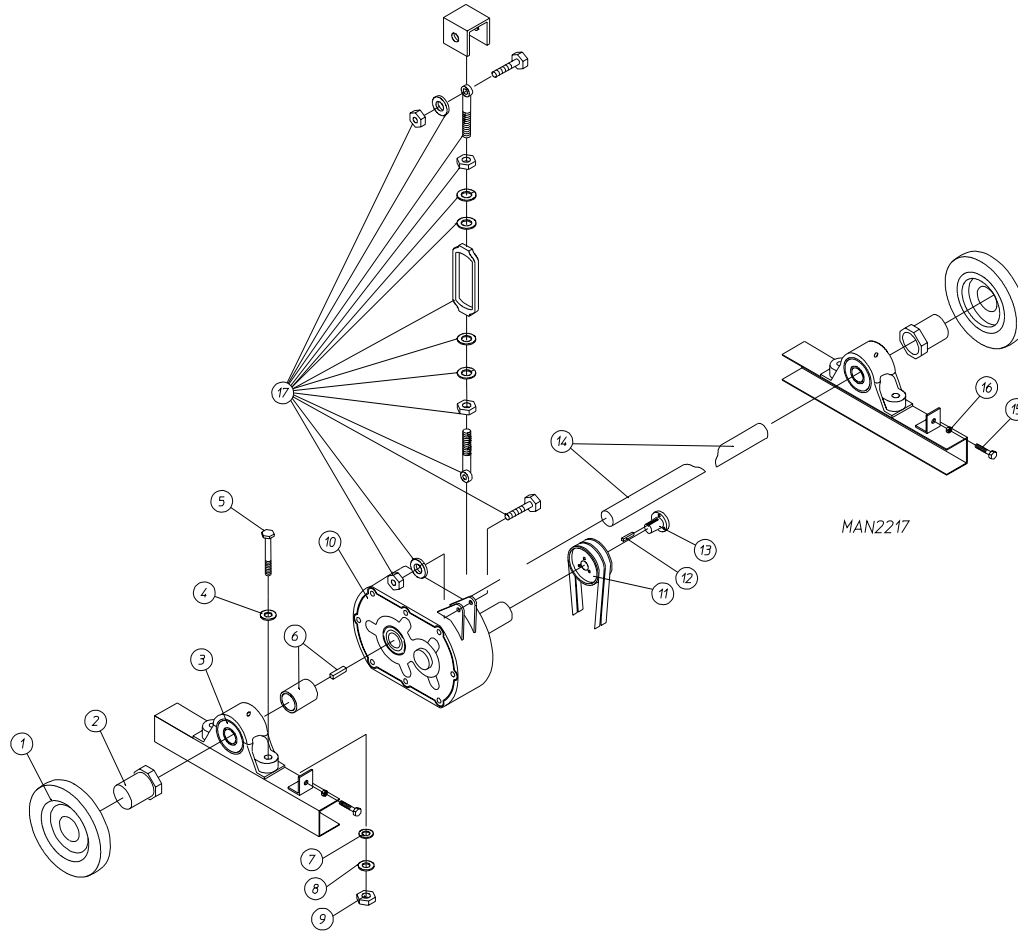


Illus. No.	Part No.	Qty.	Description
1	826017	1	Tumbler Assembly (for 1 door models)
	826046	1	Tumbler Assembly (for 2 door models)
2	821215	2	Drive Wheel Assembly
3	180007	2	1-1/2" Trantorque
4	170511	2	1/8-27 N.P.T. Grease Fitting
5	150620	4	1/2-13 x 2-1/2" Hex Head Machine Bolt
6	153011	4	9/16" Flat Washer
7	880880	2	1-1/2" Pillow Block Bearing with Grease Fitting
8	152011	2	1/2-13 Hex Nut
9	150609	2	1/2-13 x 4-1/2" Hex Head Machine Bolt
10	153011	4	9/16" Flat Washer
11	153026	4	1/2" Lock Washer
12	152011	4	1/2-13 Hex Nut
13	334057	1	Idler Shaft ONLY



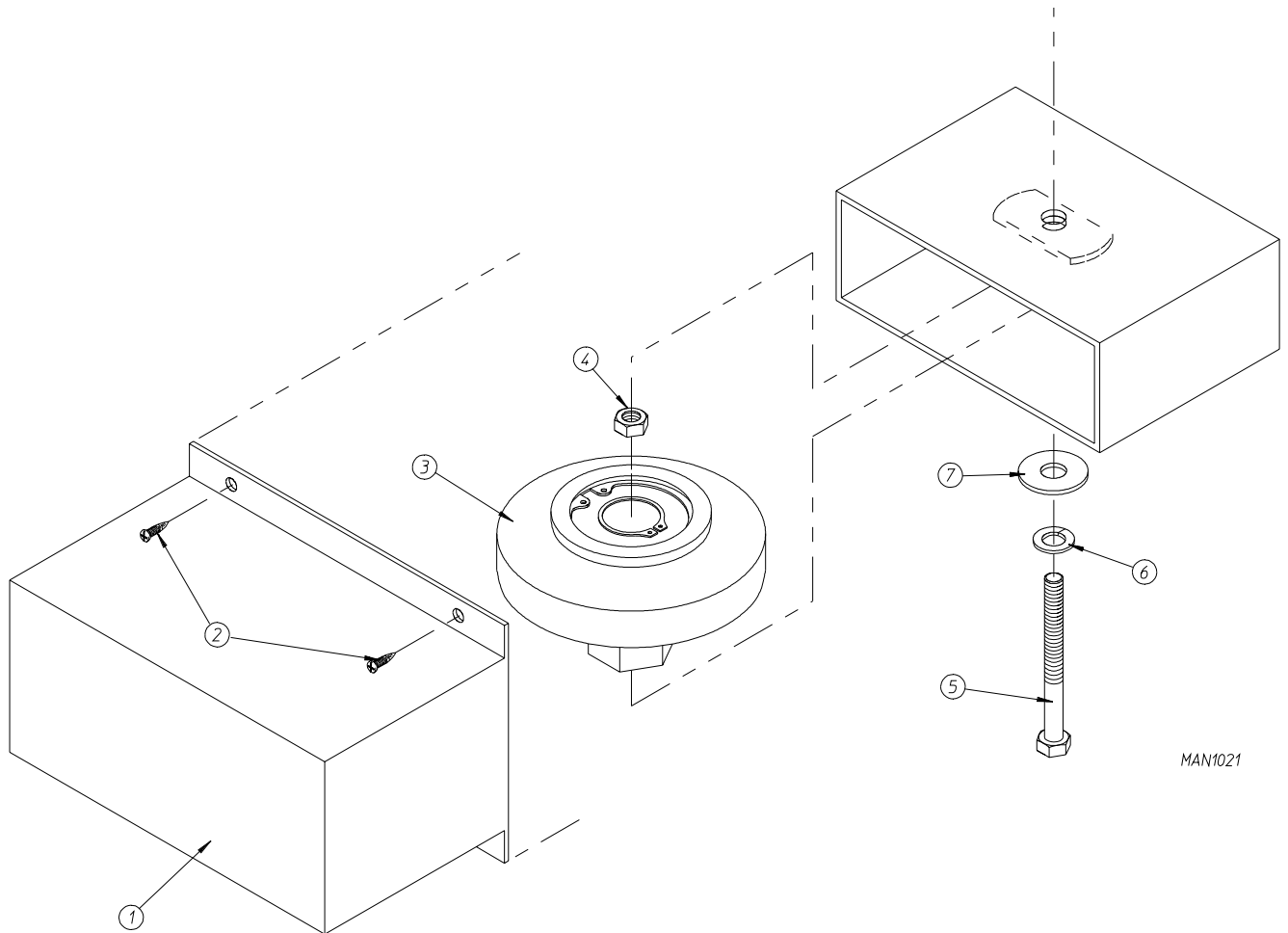
Illus. No.	Part No.	Qty.	Description
1	102102	1	Tumbler Sensor Magnet
2	154200	1	5/32" Pop Rivet
3	332750	1	Rotational Sensor Mounting Bracket
4	881383	1	Rotation Sensor Assembly
5	824806	1	Rotation Sensor Harness ONLY

Tumbler Drive Shaft Assembly



Illus. No.	Part No.	Qty.	Description
1	821215	2	11" Drive Wheel Assembly
2	180007	2	1-1/2" Trantorque
3	880880	2	1-1/2" Pillow Block Bearing with Grease Fitting
	170511	2	1/8-27 N.P.T. Grease Fitting
4	153011	4	1/2" Flat Washer
5	150620	4	1/2-13 x 2-1/2" Hex Head Machine Bolt
6	101023	1	1-1/2" Taper Bushing (for models mfd. as of September 9, 1995)
	101020	1	1-1/2" Straight Bushing (for models mfd. prior to September 9, 1995)
7	153011	4	1/2" Flat Washer
8	153026	4	1/2" Lock Washer
9	152011	4	1/2-13 Hex Nut
10	101019	1	Dodge Taper Bore Speed Reducer (for models mfd. as of September 9, 1995)
	101018	1	Dodge Speed Reducer (for models mfd. prior to September 9, 1995)
11	101177	1	2B x 5.8 Pulley
12	100709	1	3/8" x 3/8" x 2" Key
13	101196	1	SDS x 1-5/8" Bushing
14	334058	1	Tumbler Drive Shaft
15	150609	2	1/2-13 x 4-1/2" Hex Head Machine Bolt
16	152011	2	1/2-13 Hex Nut
17	154395	1	Gear Reducer Turnbuckle

Tumbler Retaining Wheel Assembly



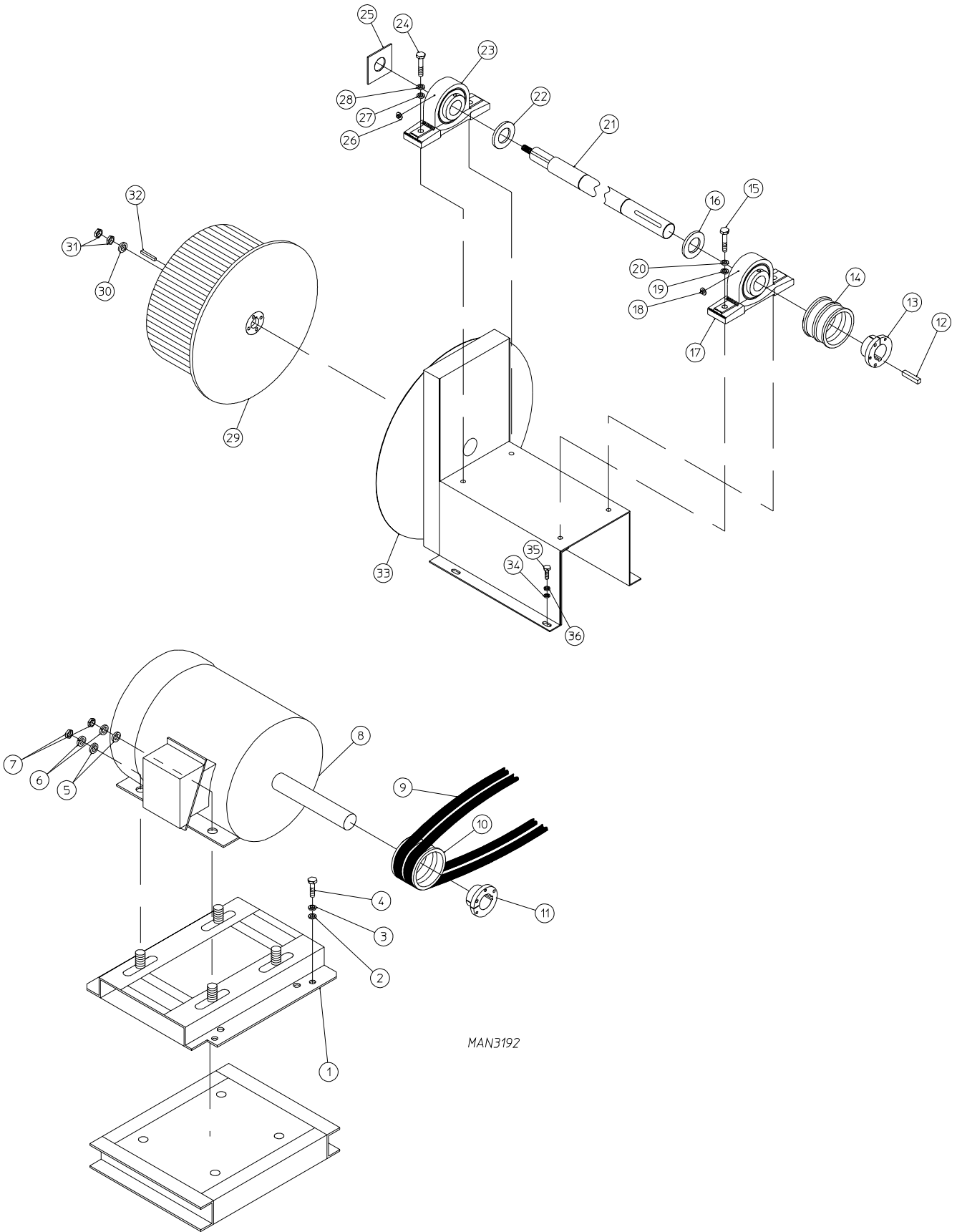
MAN1021

Illus. No.	Part No.	Qty.	Description
1*	—	1	Tumbler Retaining Wheel Cover / Guard (refer to appropriate Front Panel Assembly or Rear Panel Assembly Listing)
2	150301	4	#8-18 x 7/16" Phillips Pan Head TEK Screw
3	180029	1	Tumbler Retaining Wheel Assembly
4	152004	1	5/16-18 Hex Nut
5	150509	1	5/16-18 x 3" Hex Head Machine Bolt
6	153002	1	5/16" Lock Washer
7	153001	1	5/16" Flat Washer

* Specify color when ordering.

Fan Motor Assembly

For Gas Models Only



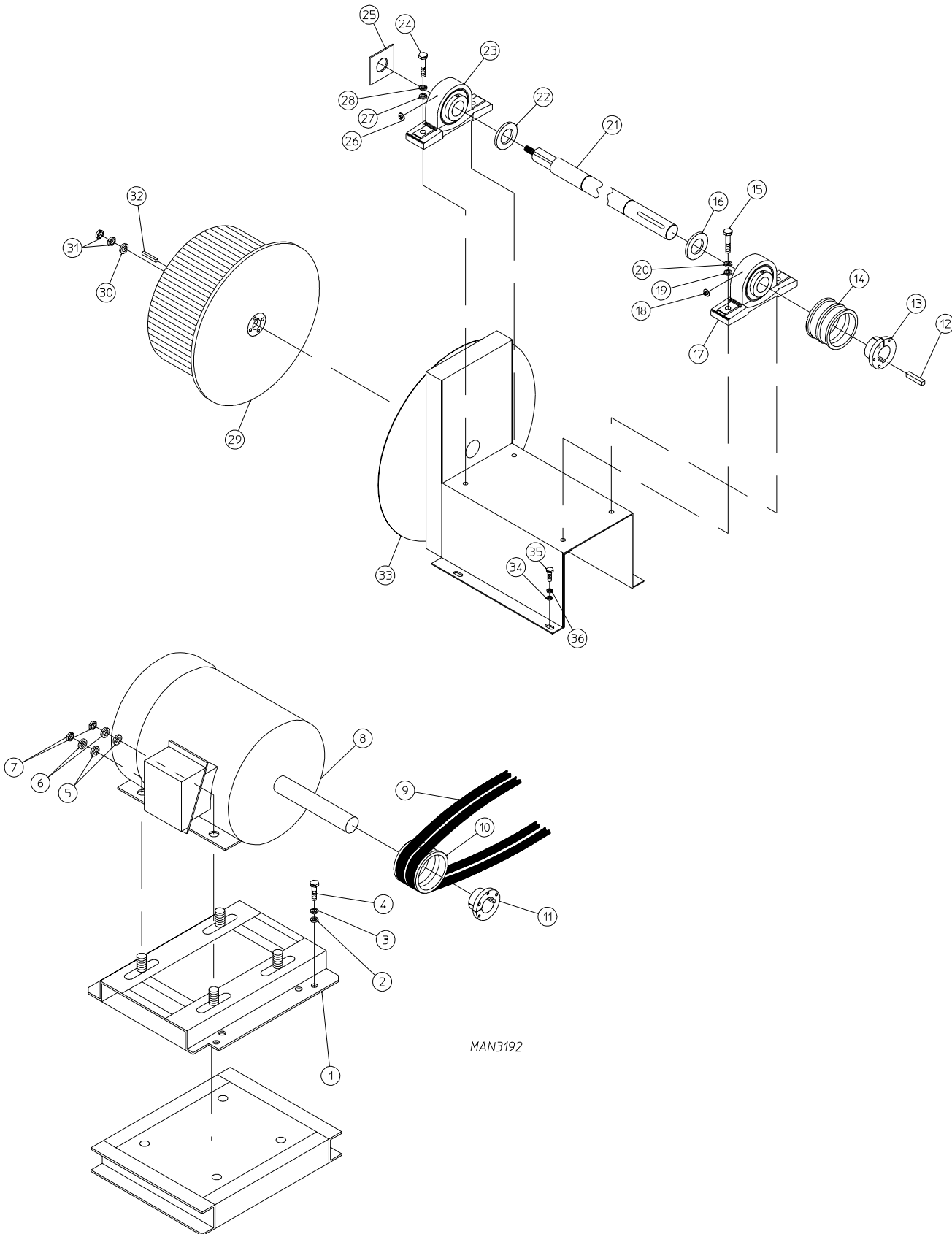
MAN3192

<u>Illus. No.</u>	<u>Part No.</u>	<u>Qty.</u>	<u>Description</u>
1	100062	1	Motor Base (213T frame)
2	153004	4	3/8" Flat Washer
3	153005	4	3/8" Lock Washer
4	150617	4	3/8-16 x 1" Hex Head Machine Bolt
5	153004	4	3/8" Flat Washer
6	153005	4	3/8" Lock Washer
7	152005	4	3/8-16 Hex Nut
8	100087	1	15 hp 208-230/380/460v 3ø 60 Hz and 190-220/380-416v 3ø 50 Hz Motor
9*	100161	2	BX-47 V-Belt
10	101195	1	2B x 4.4 Pulley (60 Hz models Only)
	101202	1	2B x 5.2 Pulley (50 Hz models Only)
11	101152	1	SH x 1-3/8" Bushing (60 Hz models Only)
	101194	1	SDS x 1-3/8" Bushing (50 Hz models Only)
12	100717	1	5/16" x 5/16" x 2-3/4" Key
13	101184	1	SK x 1-3/8" Bushing
14	101201	1	2B x 9.4 Pulley
15	150600	2	3/8-16 x 1-1/2" Hex Head Machine Bolt
16	100802	1	1-3/8" Retaining Ring (for models mfd. prior to November 7, 1996)
17	880879	1	1-3/8" Shrouded Pillow Block Bearing (includes illus. nos. 17 and 18)
18	170511	1	Grease Fitting ONLY
19	153004	2	3/8" Flat Washer
20	153005	2	3/8" Lock Washer
21	332703	1	Fan (impellor / blower) Shaft ONLY Replaces Part No. 334253 used on models mfd. prior to August 5, 1997 (for models mfd. as of August 5, 1997)
22	100802	1	1-3/8" Retaining Ring (for models mfd. prior to November 7, 1996)
23	880879	1	1-3/8" Shrouded Pillow Block Bearing (includes illus. nos. 23 and 26)
24	150600	2	3/8-16 x 1-1/2" Hex Head Machine Bolt
25	116014	1	Felt Seal
26	170511	1	Grease Fitting
27	153004	2	3/8" Flat Washer
28	153005	2	3/8" Lock Washer
29	100653	1	18" Diameter Squirrel Cage Fan (impellor / blower)
30	153065	1	Fan Washer
31	152006	2	1/2-20 Left Hand Jam Nut
32	100704	1	1/4" x 1/4" x 1-3/4" Key
33	881503	1	Fan Shaft Bearing Mount Assembly
34	153004	4	3/8" Flat Washer
35	150617	4	3/8-16 x 1" Hex Head Machine Bolt
36	153005	4	3/8" Lock Washer

* Replace in matched sets (both belts).

Fan Motor Assembly

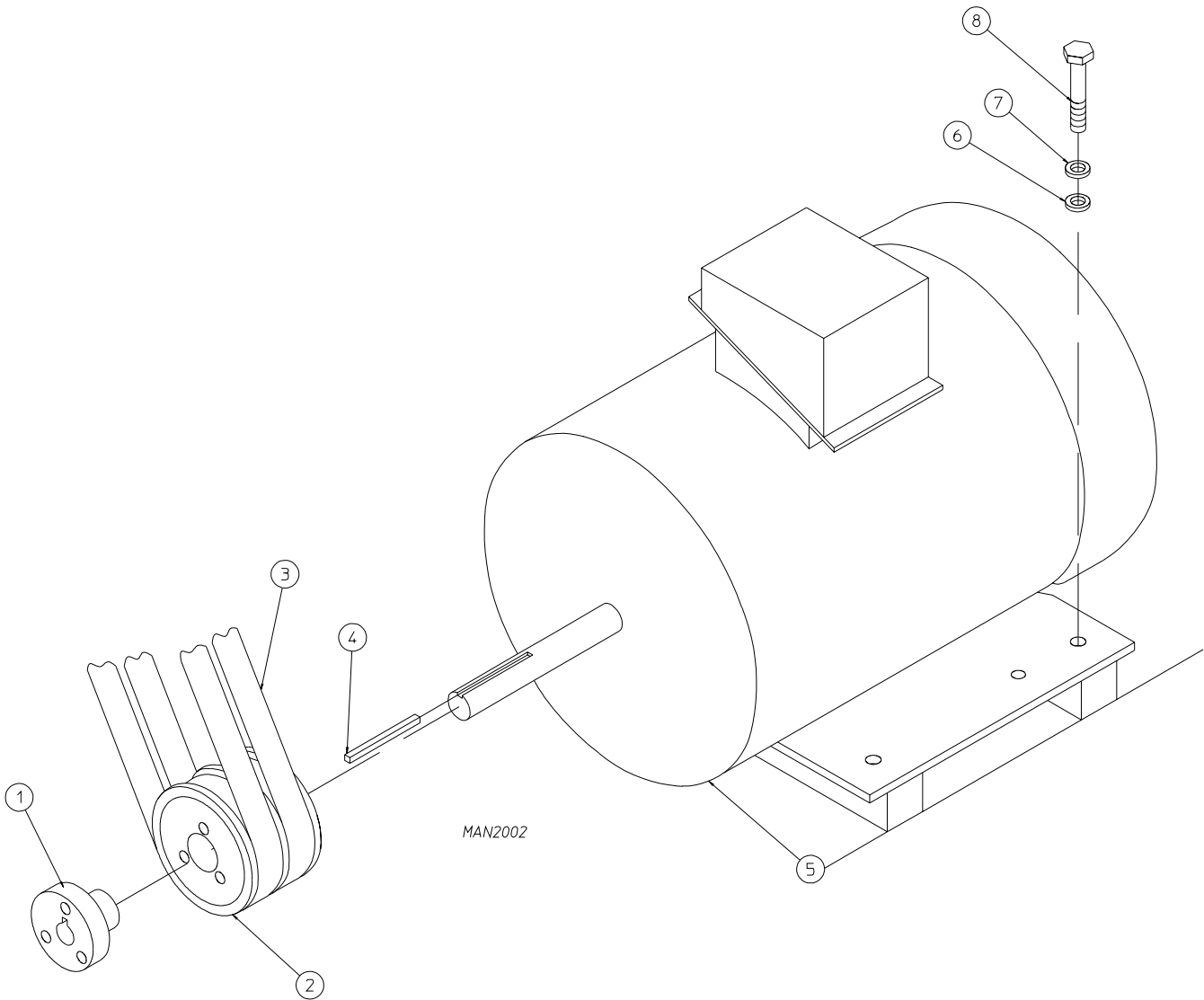
For Steam Models Only



<u>Illus. No.</u>	<u>Part No.</u>	<u>Qty.</u>	<u>Description</u>
1	181007	1	Motor Base (256T frame)
2	153011	4	1/2" Flat Washer
3	153026	4	1/2" Lock Washer
4	150605	4	1/2-13 x 1-1/2" Hex Head Machine Bolt
5	153004	4	3/8" Flat Washer
6	153005	4	3/8" Lock Washer
7	152005	4	3/8-16 Hex Nut
8	181006	1	25 hp 208-230/460v 3ø 60 Hz and 190-220/380-416v 3ø 50 Hz Motor
9*	100128	2	BX-50 V-Belt
10	101167	1	2B x 6.0 Pulley (60 Hz models Only)
	101185	1	2B x 6.2 Pulley (50 Hz models Only)
11	101196	1	SDS x 1-5/8" Bushing
12	100709	1	3/8" x 3/8" x 3" Key
13	101150	1	SK x 1-1/2" Bushing
14	101145	1	2B x 11.0 Pulley (60 Hz models Only)
	101201	1	2B x 9.4 Pulley (50 Hz models Only)
15	150606	2	1/2-13 x 2" Hex Head Machine Bolt
16	100804	1	1-1/2" Retaining Ring
17	880942	1	1-1/2" Shrouded Pillow Block Bearing (includes illus. nos. 17 and 18)
18	170511	1	Grease Fitting ONLY
19	153011	2	1/2" Flat Washer
20	153026	2	1/2" Lock Washer
21	334206	1	Fan (impellor / blower) Shaft ONLY
22	100804	1	1-1/2" Retaining Ring
23	880942	1	1-1/2" Shrouded Pillow Block Bearing (includes illus. nos. 23 and 26)
24	150606	2	1/2-13 x 2" Hex Head Machine Bolt
25	116014	1	Felt Seal
26	170511	1	Grease Fitting
27	153011	2	1/2" Flat Washer
28	153026	2	1/2" Lock Washer
29	100653	1	18" Diameter Squirrel Cage Fan (impellor / blower)
30	153065	1	Fan Washer
31	152006	2	1/2-20 Left Hand Jam Nut
32	100704	1	1/4" x 1/4" x 1-3/4" Key
33	881513	1	Fan Shaft Bearing Mount Assembly
34	153004	6	3/8" Flat Washer
35	153005	6	3/8" Lock Washer
36	150617	6	3/8-16 x 1" Hex Head Machine Bolt

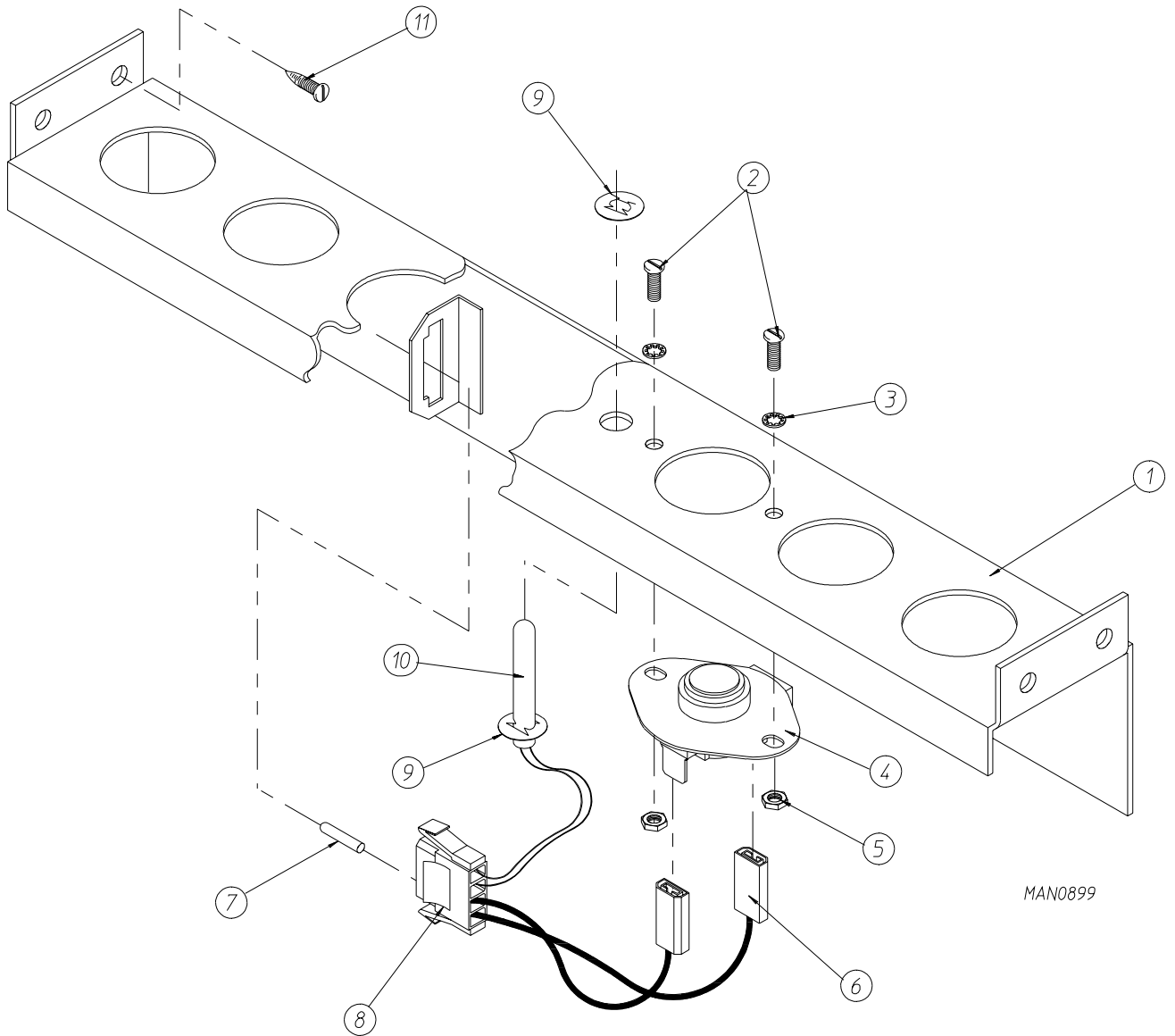
* Replace in matched sets (both belts).

Drive Motor Assembly



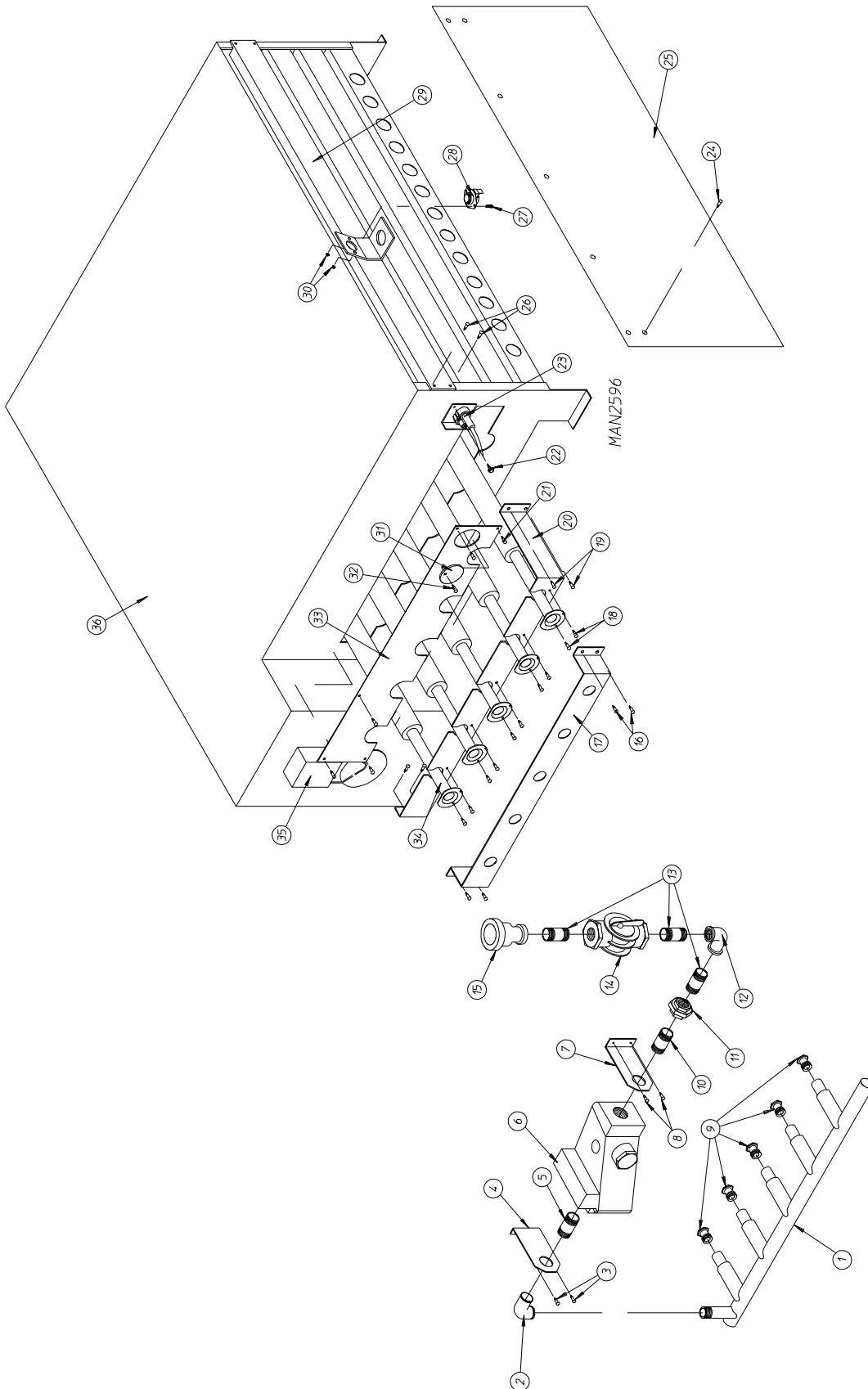
Illus. No.	Part No.	Qty.	Description
1	101144	1	SH x 1-1/8" Bushing
2	101187	1	2B x 3.6 Motor Pulley (60 Hz models Only)
	101195	1	2B x 4.4 Motor Pulley (50 Hz models Only)
3*	100152	2	AX-25 V-Belt (60 Hz models Only)
	100160	2	AX-26 V-Belt (50 Hz models Only)
4	100705	1	3/16" x 3/16" x 1-3/8" Key
5	181020	1	5 hp Multi-Voltage 3ø 50/60 Hz Motor Replaces Part No. 100096 on 208-230/460v 3ø 60 Hz and 380 Volt 50 Hz Applications Replaces Part No. 181010 on 230v 3ø 50 Hz Applications Replaces Part No. 181004 on 190-208/380-416v 3ø 50 Hz Applications
6	153004	4	3/8" Flat Washer
7	153005	4	3/8" Lock Washer
8	150600	4	3/8" x 1-1/2" Hex Head Machine Bolt

* Replace in matched sets (both belts).



Illus. No.	Part No.	Qty.	Description
1	820967	1	Sensor Bracket Assembly
	820968	1	Sensor Bracket Assembly Complete (includes illus. nos. 1 through 10)
2	150000	2	#6-32 x 1/4" Slotted Round Head Machine Screw
3	153010	2	#6 Star Washer
4	130112	1	225° Thermostat
5	152000	2	#6-32 Hex Nut
6	121028	2	1/4" x .032 Insulated Terminal
7	122701	4	Socket
8	122605	1	4-Pin Socket Connector (female)
9	154007	2	1/4" Push-On Fastener
10	880251	1	1/4" Temperature Sensor Probe Assembly (includes illus. nos. 6 through 10)
11	150301	4	#8-18 x 7/16" Phillips Pan Head TEK Screw

Front Gas Burner Assembly

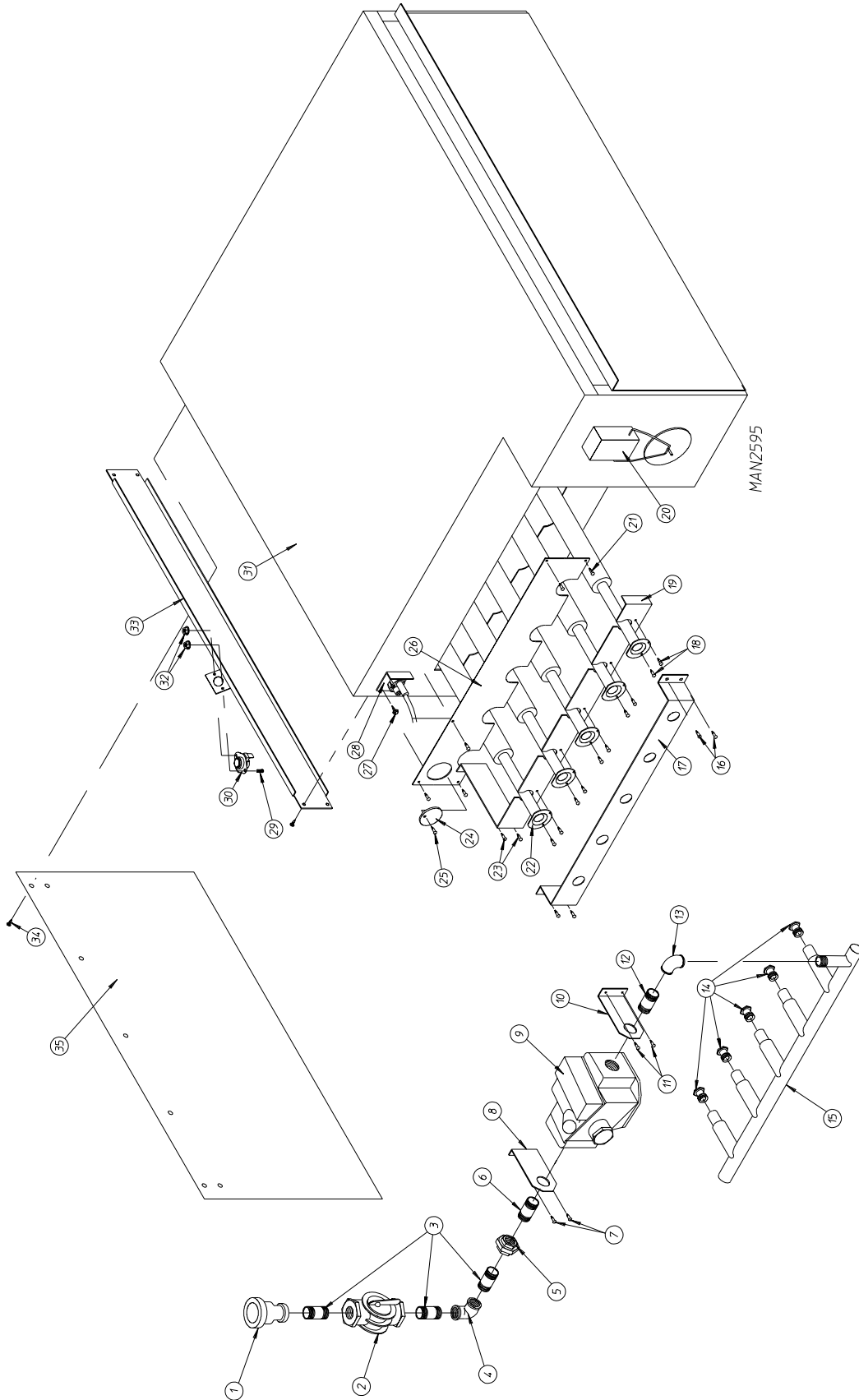


<u>Illus. No.</u>	<u>Part No.</u>	<u>Qty.</u>	<u>Description</u>
1	141241	1	5-Port Front Manifold
2	142548	1	1" x 90° Elbow
3	150309	2	#10-16 x 1/2" Hex Head TEK Crimptite Screw
4	334085	1	Long Pipe Bracket
5	142724	1	1" x 2" Long Nipple
6	140017	1	1" x 1" 24 VAC Natural Gas Valve
	140018	1	1" 24 VAC Gas Valve Liquid Propane Conversion Kit
7	334085	1	Long Pipe Bracket
8	150309	2	#10-16 x 1/2" Hex Head TEK Crimptite Screw
9*	140834	5	#5 Burner Orifice (for natural gas models Only)
	140819	5	#30 Burner Orifice (for liquid propane gas models Only)
10	142711	1	1" Close Nipple
11	142602	1	1" Union
12	142548	1	1" x 90° Elbow
13	142724	3	1" x 2" Long Nipple
14	141302	1	1" Shutoff Valve
15	142932	1	1-1/4" x 1" Reducing Coupling
16	150309	4	#10-16 x 1/2" Hex Head TEK Crimptite Screw
17	334086	1	Manifold Rest
18	150301	10	#8-18 x 7/16" Phillips Pan Head TEK Screw
19	150309	4	#10-16 x 1/2" Hex Head TEK Crimptite Screw
20	334083	1	Burner Tube Rest
21	150309	5	#10-16 x 1/2" Hex Head TEK Crimptite Screw
22	150309	2	#10-16 x 1/2" Hex Head TEK Crimptite Screw
23	128914	1	Ignitor / Flame-Probe Assembly
	884279	1	High Voltage Wire
	305410	1	Direct Spark Ignition Gap Feeler Gauge
24	150309	4	#10-16 x 1/2" Hex Head TEK Crimptite Screw
25	334226	1	Burner Baffle
26	150309	2	#10-16 x 1/2" Hex Head TEK Crimptite Screw
27	150001	2	#6-32 x 1/2" Round Head Machine Screw
28	130201	1	330° Small Manual / Reset Thermostat ONLY (for models mfd. as of May 26, 1998)
	130401	1	330° Hi-Limit ONLY (for models mfd. prior to May 26, 1998)
29	826021	1	Hi-Limit Mounting Bracket
30	151000	2	#6-32 Pal Nut
31	331290	1	Sight Hole Disc
32	150309	1	#10-16 x 1/2" Hex Head TEK Crimptite Screw
33	332597	1	Burner Box Cover Plate
34	141123	5	Burner Tube
35	————	1	Sail Switch Assembly (refer to Sail Switch Assembly on page 53)
36	881515	1	Front Burner Box ONLY
	881517**	1	Natural Gas Front Burner Box Assembly Complete Less Orifices (includes illus. nos. 1 through 8, 10, and 16 through 36)
	881518**	1	Liquid Propane Gas Front Burner Box Assembly Complete Less Orifices (includes illus. nos. 1 through 8, 10, and 16 through 36)
	881011*	1	ADG-310 Direct Spark Ignition Liquid Propane Conversion Kit

* Consult factory for elevations over 2,000 feet.

** Orifices are not included and must be ordered separately.

Rear Gas Burner Assembly



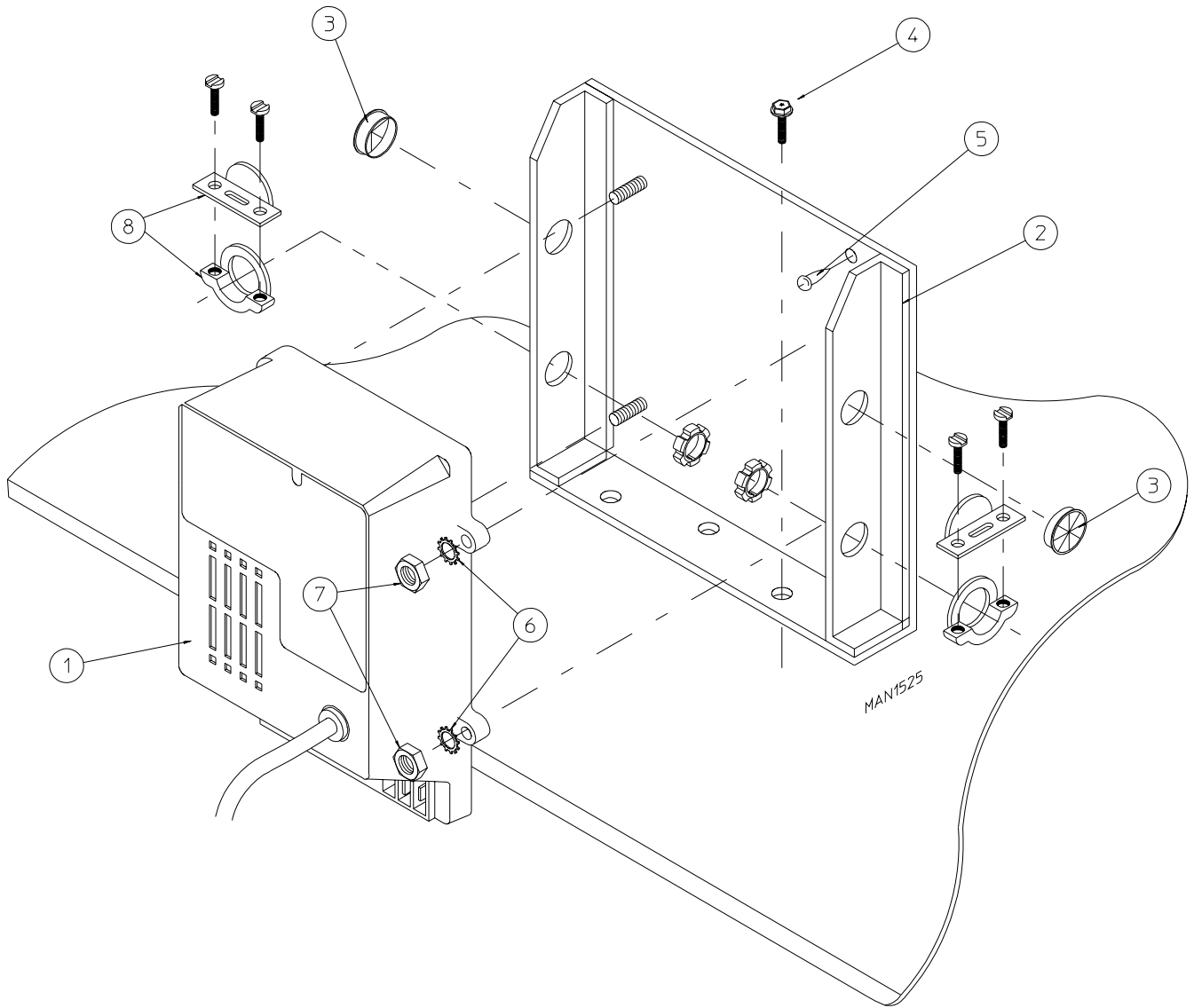
<u>Illus. No.</u>	<u>Part No.</u>	<u>Qty.</u>	<u>Description</u>
1	142932	1	1-1/4" x 1" Reducing Coupling
2	141302	1	1" Shutoff
3	142724	3	1" x 2" Long Nipple
4	142548	1	1" x 90° Elbow
5	142602	1	1" Union
6	142711	1	1" Close Nipple
7	150309	2	#10-16 x 1/2" Hex Head TEK Crimptite Screw
8	334085	1	Long Pipe Bracket
9	140017	1	1" x 1" 24 VAC Natural Gas Valve
	140018	1	1" 24 VAC Gas Valve Liquid Propane Conversion Kit
10	334085	1	Long Pipe Bracket
11	150309	2	#10-16 x 1/2" Hex Head TEK Crimptite Screw
12	142724	1	1" x 2" Nipple
13	142548	1	1" x 90° Elbow
14*	140834	5	#5 Burner Orifice (for natural gas models Only)
	140819	5	#30 Burner Orifice (for liquid propane gas models Only)
15	141242	1	5-Port Rear Manifold
16	150309	4	#10-16 x 1/2" Hex Head TEK Crimptite Screw
17	334086	1	Manifold Rest
18	150301	10	#8-18 x 7/16" Phillips Pan Head TEK Screw
19	334084	1	Rear Burner Tube Rest
20	————	1	Sail Switch Assembly (refer to Sail Switch Assembly on page 53)
21	150309	5	#10-16 x 1/2" Hex Head TEK Crimptite Screw
22	141123	5	Burner Tube
23	150309	4	#10-16 x 1/2" Hex Head TEK Crimptite Screw
24	331290	1	Sight Hole Disc
25	150309	1	#10-16 x 1/2" Hex Head TEK Crimptite Screw
26	332597	1	Burner Box Cover Plate
27	150309	1	#10-16 x 1/2" Hex Head TEK Crimptite Screw
28	128914	1	Ignitor / Flame-Probe Assembly
	884279	1	High Voltage Wire ... Not Illustrated
29	150001	2	#6-32 x 1/2" Round Head Machine Screw
30	130201	1	330° Small Manual / Reset Thermostat ONLY (for models mfd. as of May 26, 1998)
	130401	1	330° Hi-Limit ONLY (for models mfd. prior to May 26, 1998)
31	881516	1	Rear Burner Box ONLY
	881519**	1	Natural Gas Rear Burner Box Assembly Complete Less Orifices (includes illus. nos. 6 through 13 and 15 through 35)
	881520**	1	Liquid Propane Gas Rear Burner Box Assembly Complete Less Orifices (includes illus. nos. 6 through 13 and 15 through 35)
32	151000	2	#6-32 Pal Nut
33	826021	1	Hi-Limit Mounting Bracket
34	150309	7	#10-16 x 1/2" Hex Head TEK Crimptite Screw
35	334226	1	Burner Baffle

* Consult factory for elevations over 2,000 feet.

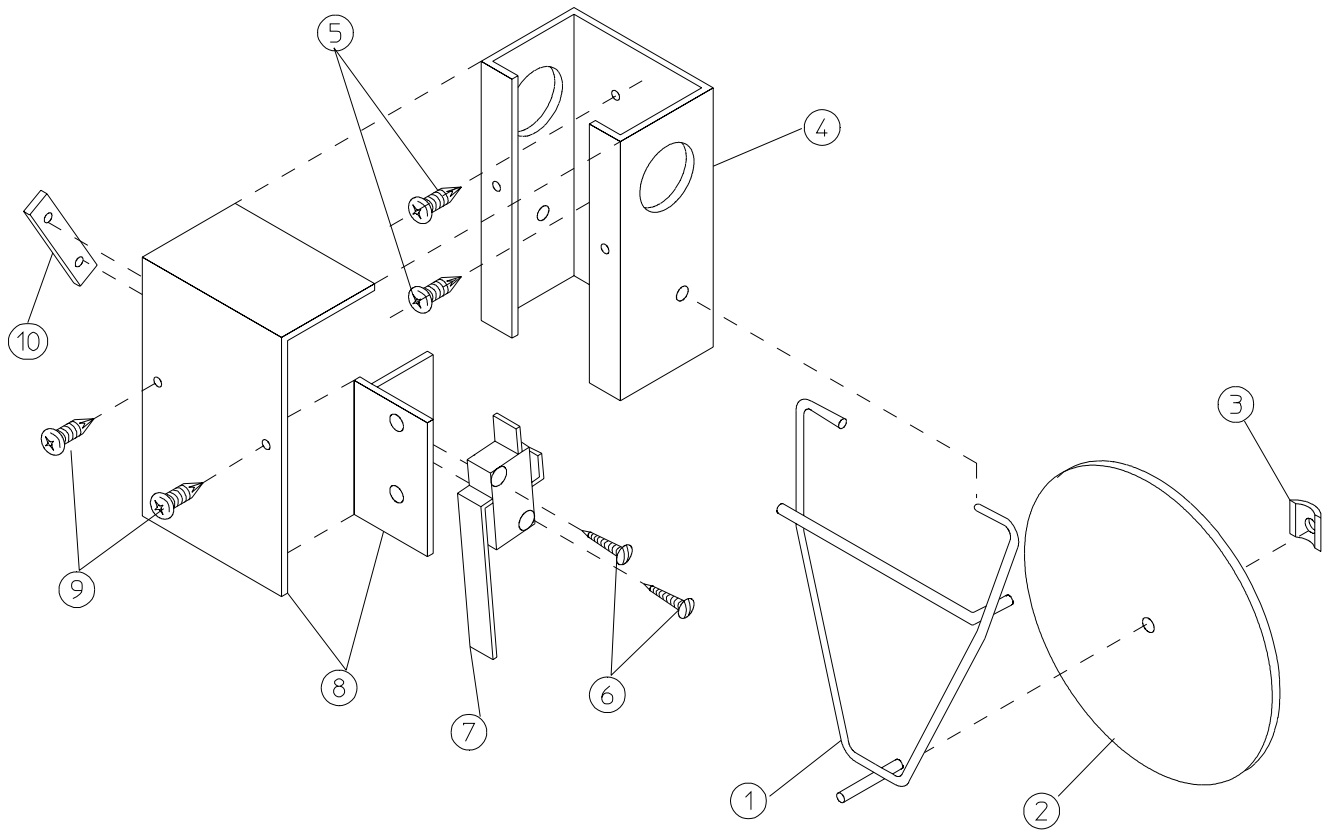
** Orifices are not included and must be ordered separately.

Direct Spark Ignition Module Assembly

For Gas Models Only



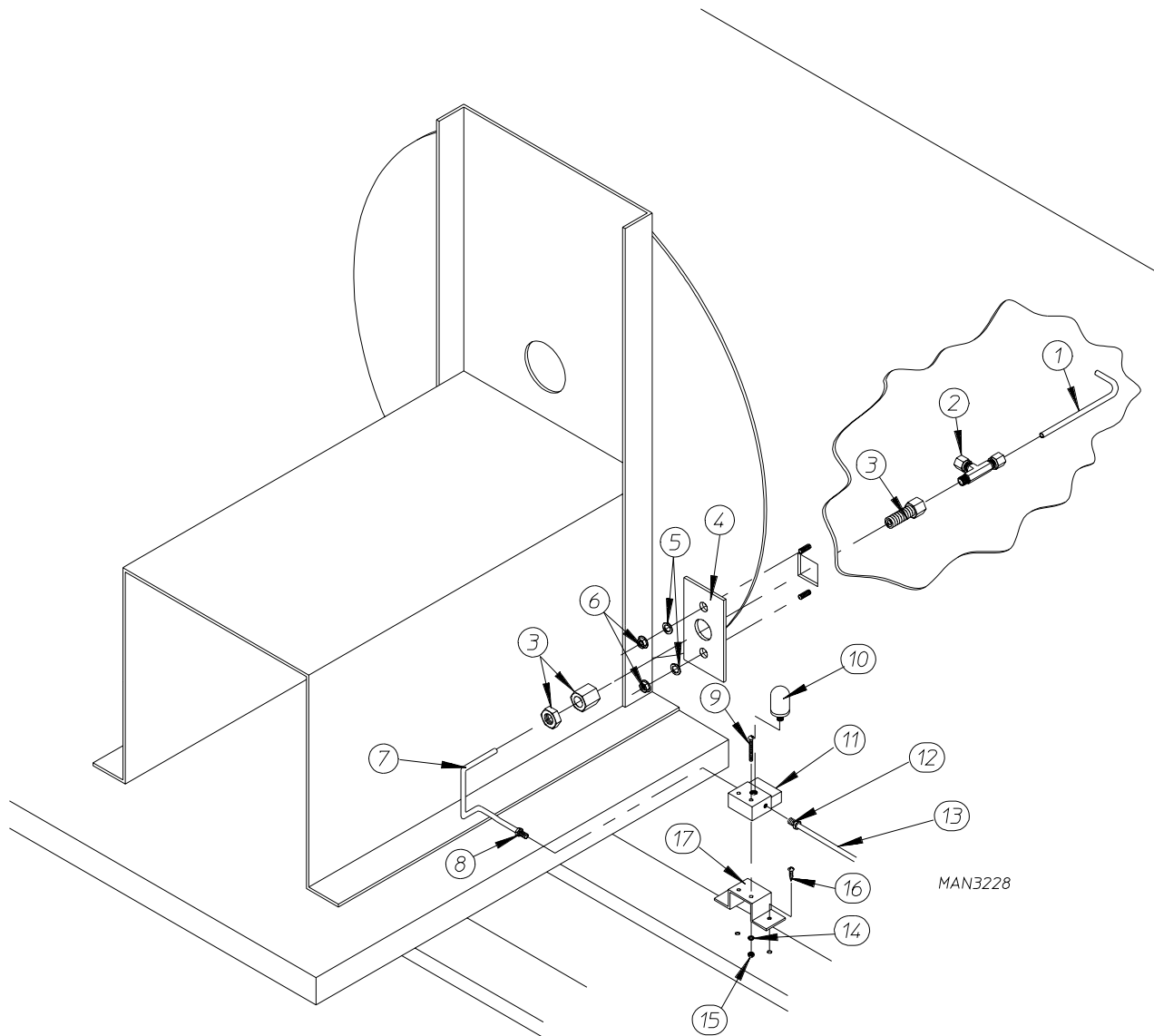
Illus. No.	Part No.	Qty.	Description
1	883849	1	ADC Direct Spark Ignition Module ONLY 50/60 Hz
2	820100	1	Direct Spark Ignition Module Mount Assembly ONLY
3	121400	2	Universal Bushing
4	150522	3	1/4-20 x 1/2" Hex Washer TEK Screw
5	150301	1	#8-18 x 7/16" Phillips Pan Head TEK Screw
6	153010	4	#6 Star Washer
7	152000	4	#6-32 Hex Nut
8	120102	2	3/8" Straight x 1/2" Knock-Out Connector



MAN0440

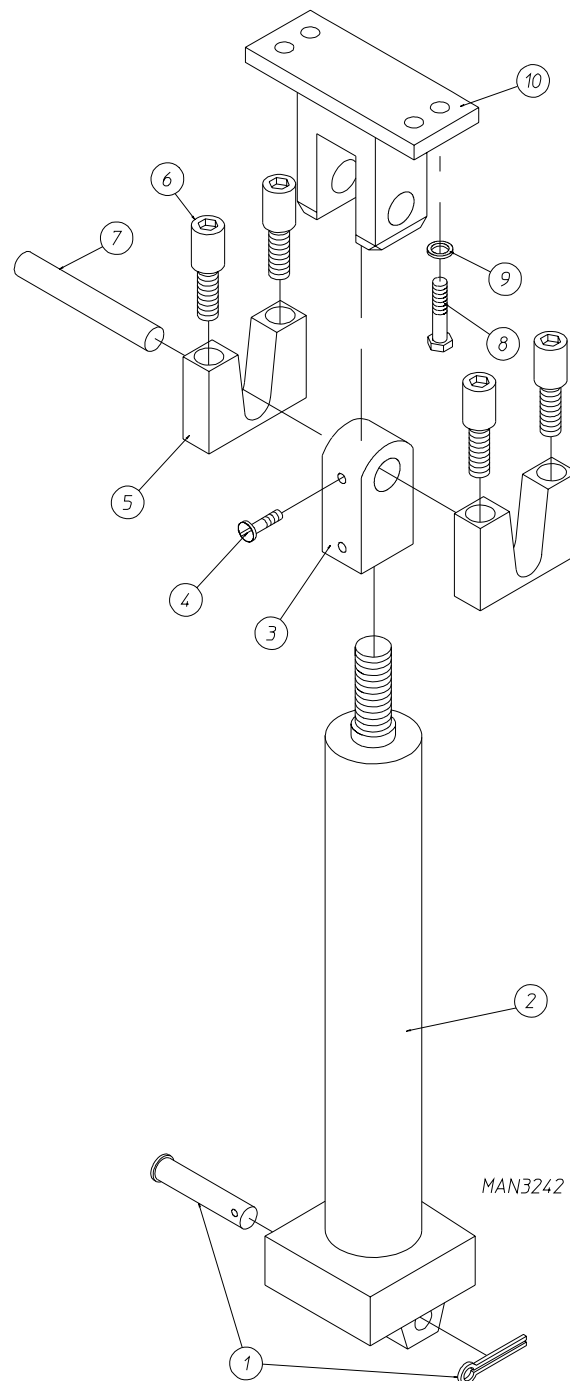
Illus. No.	Part No.	Qty.	Description
1	105500	1	Sail Switch Actuator Rod
2	332689	1	Sail Switch Damper (flat)
3	154002	1	1/8" Push-On Fastener
4	802800	1	Sail Switch Box with Cover and Bracket ONLY (includes illus. nos. 4 and 8)
	881376	1	Sail Switch Box Assembly Complete (includes illus. nos. 1 through 4 and 6 through 10)
5	150309	2	#10-16 x 1/2" Hex Head TEK Crimptite Screw
6	150303	2	#4 x 3/4" Pan Head "A" Machine Screw
7	122404	1	Sail Switch ONLY
8	802799	1	Sail Switch Box with Cover and Bracket ONLY
9	150309	2	#10-16 x 1/2" Hex Head TEK Crimptite Screw
10	154004	1	Twin Speed Nut

Air Jet Assembly



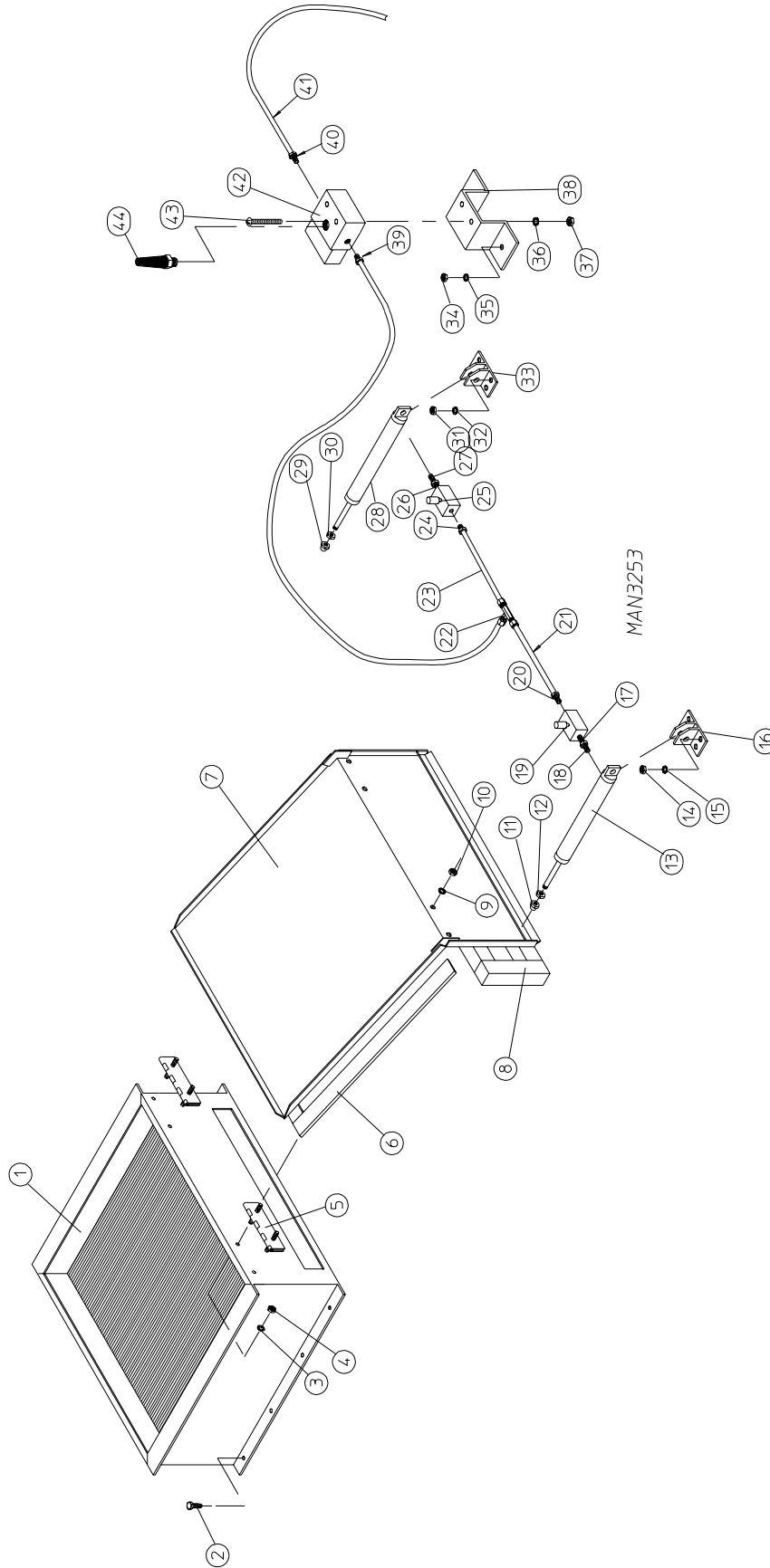
MAN3228

Illus. No.	Part No.	Qty.	Description
1	332700	1	Air Jet Tube
2	143287	1	1/4" Tube x 1/8" M.P.T. Male Run Tee
3	143259	1	1/4" Compression x 1/8" F.P.T. Fitting
4	332531	1	Air Jet Mounting Plate
5	153007	2	1/4" Lock Washer
6	152002	2	1/4-20 Hex Nut
7	143100	1	1/4" Aluminum Tube (sold by the foot)
8	143152	1	1/4" Compression x 1/8" M.P.T. Fitting
9	150002	2	#6-32 x 1" Phillips Round Head Machine Screw
10	100520	1	1/8" Muffer
11	100498	1	3-Way Valve
12	100472	1	1/4" Poly x 1/8" M.P.T. Connector
13	143110	—	1/4" Poly-Flo Tube (sold by the foot)
14	153010	2	#6 Star Washer
15	152000	2	#6-32 Hex Nut
16	150309	2	#10-16 x 1/2" Hex Head TEK Crimptite Screw
17	330987	1	Valve Support Bracket



<u>Illus. No.</u>	<u>Part No.</u>	<u>Qty.</u>	<u>Description</u>
1	100487	1	3/4" Diameter Pin with Cotter Pin
2	881529	1	Post Assembly
3	100553	1	Rod Eye
4	154315	2	1/4-20 x 1" Socket Head Setscrew
5	102381	2	Nylon Bumper
6	150435	4	3/8-16 x 3" Socket Head Cap Screw
7	331543	1	1" Diameter Pin
8	150599	4	1/2-20 x 1-1/8" Hex Head Bolt
9	153026	4	1/2" Lock Washer
10	881170	1	Clevis Assembly

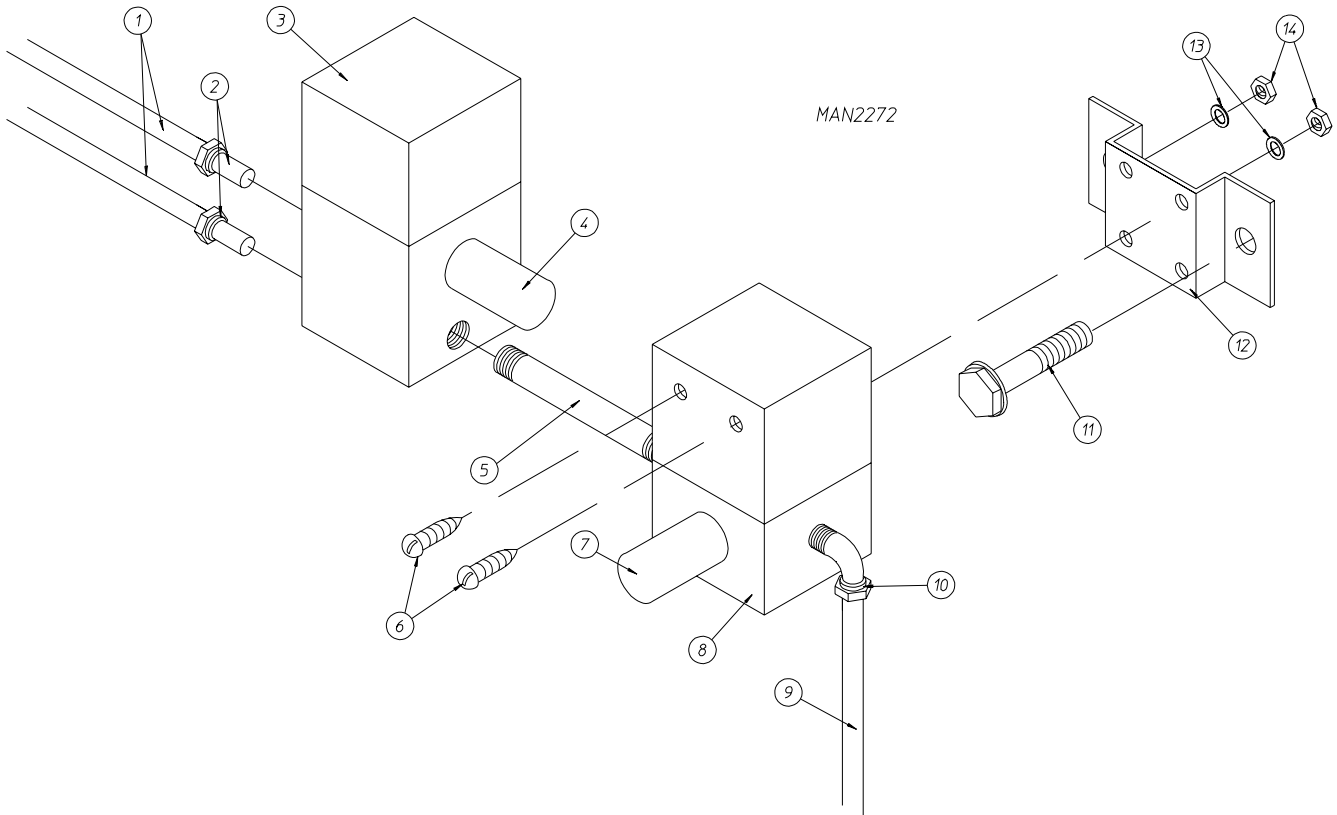
Steam Coil Assembly



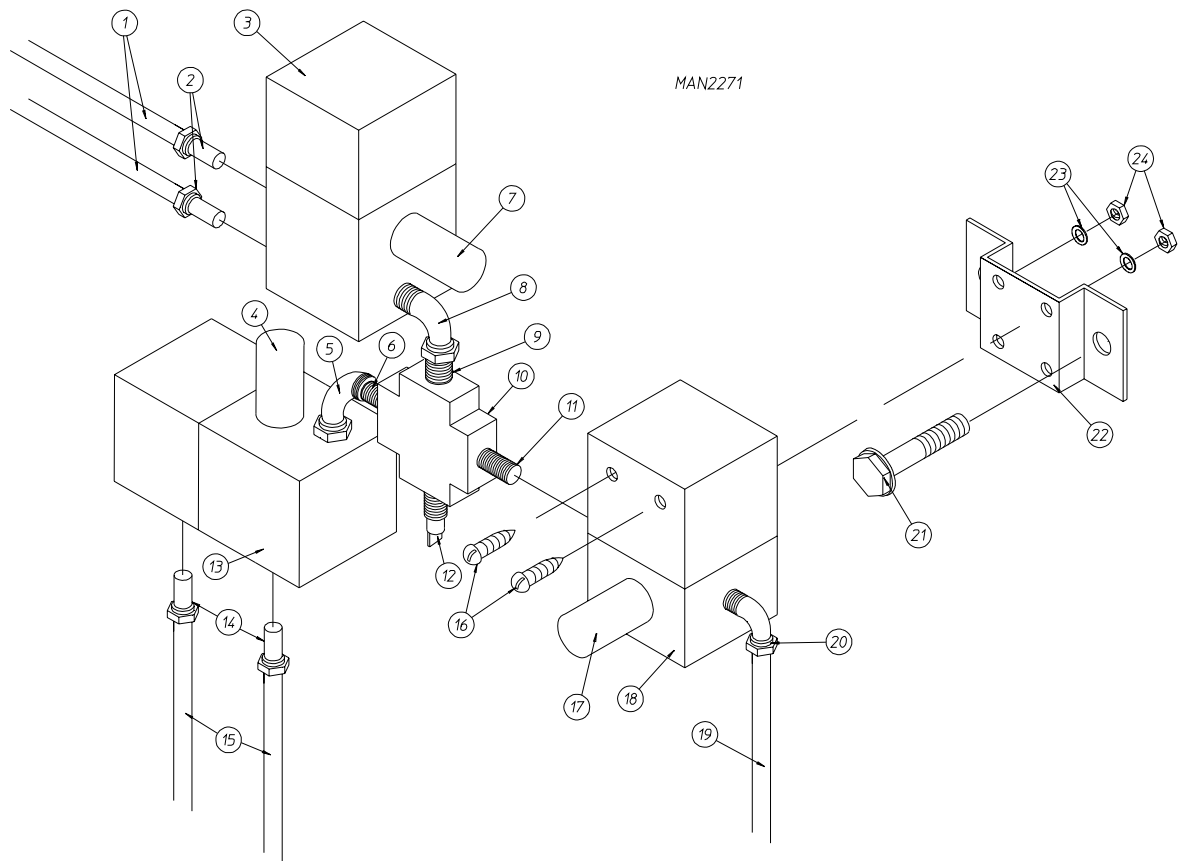
<u>Illus. No.</u>	<u>Part No.</u>	<u>Qty.</u>	<u>Description</u>
1	165034	1	Steam Coil Assembly
2	150523	8	1/4-20 x 3/4" Hex Head TEK Screw
3	153007	4	1/4" Lock Washer
4	152002	4	1/4-20 Hex Nut
5	820321	2	Steam Damper Hinge Assembly
6	115995	144	Steam Damper Gasket (sold by the inch)
7	881631	1	Steam Damper Assembly (includes illus. nos. 6 through 8)
8	102350	2	Steam Damper Foam
9	153007	4	1/4" Lock Washer
10	152002	4	1/4-20 Hex Nut
11	151008	1	5/8-18 Stainless Steel Acorn Nut
12	152030	1	5/8-18 Jam Nut
13	100525	1	2" Bore x 4" Stroke Piston
14	152002	4	1/4-20 Hex Nut
15	153007	4	1/4" Lock Washer
16	100526	1	Piston Pivot Bracket
17	143238	1	1/8" Brass Close Nipple
18	143264	1	1/4" x 1/8" Brass Reducing Bushing
19	100496	1	1/8" Needle Valve
20	100472	1	1/4" Poly x 1/8" M.P.T. Connector
21	143115	—	1/4" O.D. Tubing (sold by the foot)
22	143156	1	1/4" Poly Tee
23	143115	—	1/4" O.D. Tubing (sold by the foot)
24	100472	1	1/4" Poly x 1/8" M.P.T. Connector
25	100496	1	1/8" Needle Valve
26	143264	1	1/4" x 1/8" Brass Reducing Bushing
27	143238	1	1/8" Brass Close Nipple
28	100525	1	2" Bore x 4" Stroke Piston
29	151008	1	5/8-18 Stainless Steel Acorn Nut
30	153030	1	5/8-18 Jam Nut
31	152002	4	1/4-20 Hex Nut
32	153007	4	1/4" Lock Washer
33	100526	1	Piston Pivot Bracket
34	152002	2	1/4-20 Hex Nut
35	153007	2	1/4" Lock Washer
36	153010	2	#6 Star Washer
37	152000	2	#6-32 Hex Nut
38	330987	1	Micro Valve Support
39	100472	1	1/4" Poly x 1/8" M.P.T. Connector
40	100472	1	1/4" Poly x 1/8" M.P.T. Connector
41	143115	—	1/4" O.D. Tubing (sold by the foot)
42	100498	1	3-Way Micro Valve – 24 VAC
43	150002	2	#6-32 x 1" Phillips Round Head Machine Screw
44	100520	1	1/8" N.P.T. Silencer (muffler)

Pneumatic Assembly

For Models with 1 Automatic Door

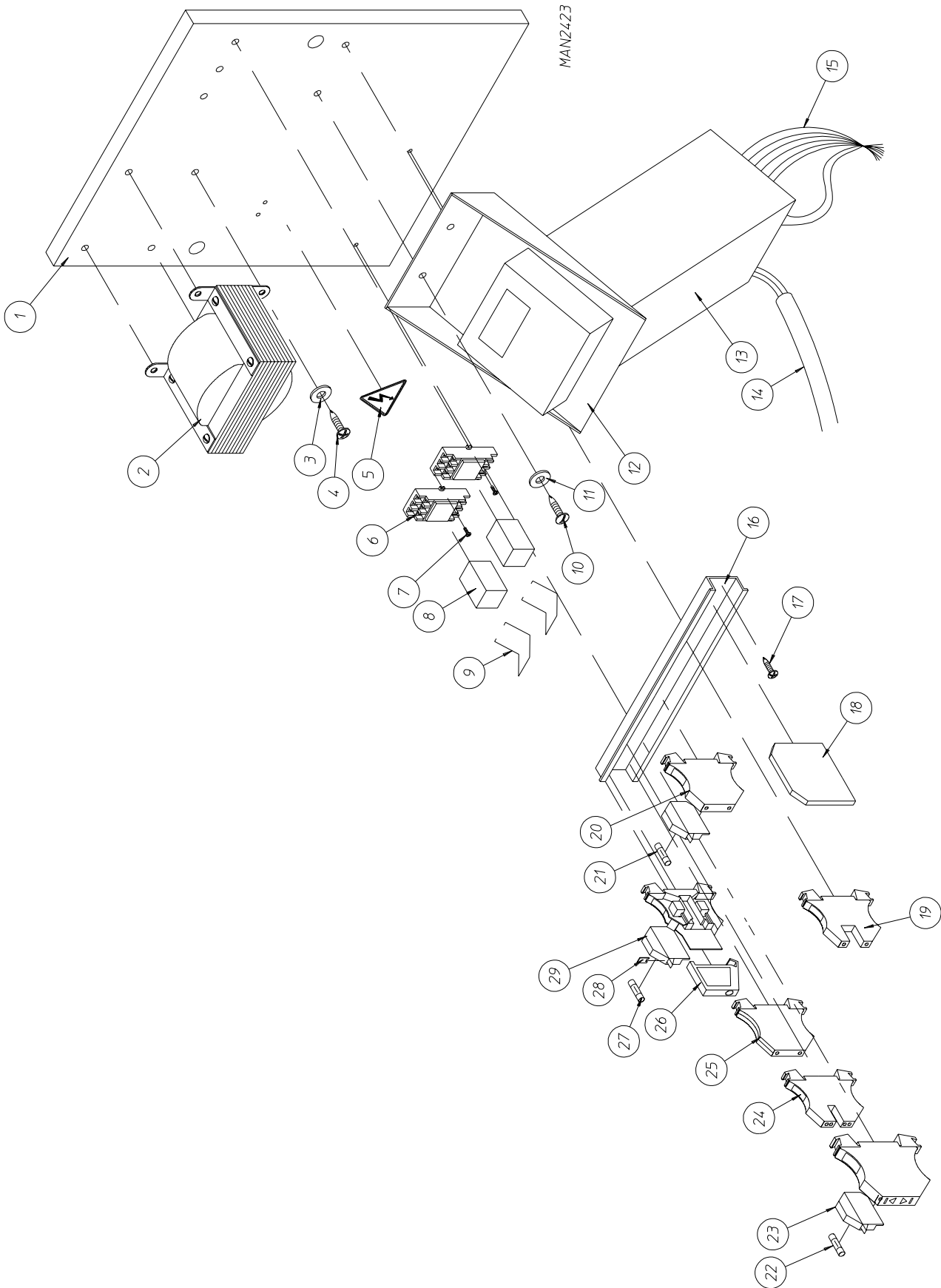


Illus. No.	Part No.	Qty.	Description
1	143115	—	1/4" Poly-Flo Tubing (sold by the foot)
2	100472	2	1/4" Poly x 1/8" M.P.T. Connector
3	100468	1	4-Way Valve – 24 VAC
4	100520	1	1/8" Muffler (silencer)
5	143239	1	1/8" x 2-1/2" Brass Nipple
6	150002	2	#6-32 x 1" Phillips Round Head Machine Screw
7	100520	1	1/8" Muffler (silencer)
8	100498	1	3-Way Valve – 24 VAC
9	143115	—	1/4" Poly-Flo Tubing (sold by the foot)
10	143149	1	1/4" Poly x 1/8" M.P.T. Connector Elbow
11	150522	2	1/4-20 x 1/2" Hex Head TEK Screw
12	330987	1	Valve Mounting Bracket
13	153010	2	#6 Star Washer
14	152000	2	#6-32 Hex Nut



Illus. No.	Part No.	Qty.	Description
1	143115	—	1/4" Poly-Flo Tubing (sold by the foot)
2	100472	2	1/4" Poly x 1/8" M.P.T. Connector
3	100468	1	4-Way Valve – 24 VAC
4	100520	1	1/8" Muffler (silencer)
5	143268	1	1/8" Brass Street Elbow
6	143238	1	1/8" Close Nipple
7	100520	1	1/8" Muffler (silencer)
8	143268	1	1/8" Brass Street Elbow
9	143238	1	1/8" Close Nipple
10	143237	1	1/8" Brass Cross
11	143238	1	1/8" Close Nipple
12	143250	1	1/8" Brass Plug
13	100468	1	4-Way Valve 24 Volt
14	100472	2	1/4" Poly x 1/8" M.P.T. Connector
15	143115	—	1/4" Poly-Flo Tubing (sold by the foot)
16	150002	2	#6-32 x 1" Phillips Round Head Machine Screw
17	100520	1	1/8" Muffler (silencer)
18	100498	1	3-Way Valve – 24 VAC
19	143115	—	1/4" Poly-Flo Tubing (sold by the foot)
20	143149	1	1/4" Poly x 1/8" M.P.T. Connector Elbow
21	150522	2	1/4-20 x 1/2" Hex Washer TEK Screw
22	330987	1	Valve Mounting Bracket
23	153010	2	#6 Star Washer
24	152000	2	#6-32 Hex Nut

Sprinkler Control Panel Assembly

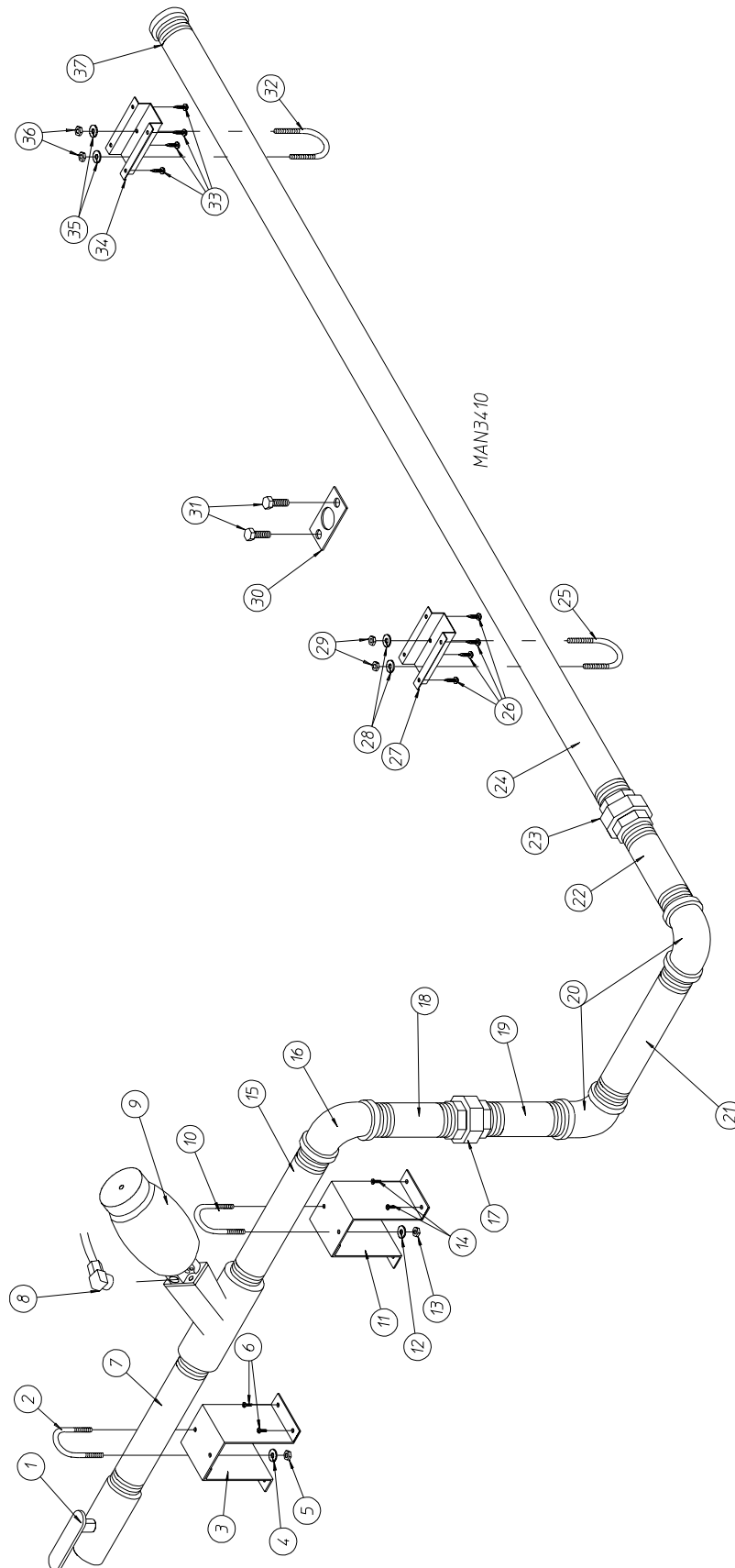


Sprinkler Control Panel Assembly

<u>Illus. No.</u>	<u>Part No.</u>	<u>Qty.</u>	<u>Description</u>
1	334259	1	Sprinkler Electrical Panel
2	132091	1	208/240 Volt Transformer
	132092	1	380 Volt Transformer
3	153000	4	#8 Flat Washer
4	150108	4	#8-32 x 1/2" Phillips Pan Head Machine Screw
5	122424	1	"Power Warning" Label
6	131408	2	Relay Socket
7	150106	3	#8-32 x 1" Phillips Round Head Machine Screw
8	131405	2	Double-Pole-Double-Throw Plug In Relay
9	131409	2	Hold Down Spring
10	150108	2	#8-32 x 1/2" Phillips Pan Head Machine Screw
11	153000	2	#8 Flat Washer
12	333002	1	Temperature Controller Mounting Bracket
13	881249	1	Sprinkler Digital Temperature Control Assembly Complete with Harnesses (includes illus. nos. 13 through 15)
	128964	1	Sprinkler Digital Temperature Control
14	881251	1	Sprinkler Temperature Control Resistive Temperature Device Harness
15	881250	1	Sprinkler Temperature Control Power Harness
16	120768	—	Din Mounting Rail (sold by the inch)
17	150309	2	#10-16 x 1/2" Hex Head TEK Crimptite Screw
18	120766	1	End Section
19	120758	7	Feed Thru Terminal Block
20	120754	1	Fuse Terminal Block with Light Emitting Diode
21	136039	1	250-mA (Slo-Blo) Fuse
22	136033	1	3-Amp (fast acting) Fuse
23	120756	1	1/4" Fuse Terminal Block with Light Emitting Diode
24	120761	7	4-Position Feed Thru Terminal Block
25	120750	2	Ground Terminal Block
26	120765	1	End Stop
27	136050	2	1-Amp (Slo-Blo) Fuse
28	120999	5	Blank Marking Tab
29	120721	2	Disconnect Fuse Block

Optional Sprinkler Assembly

For Models Mfd. as of November 14, 1996



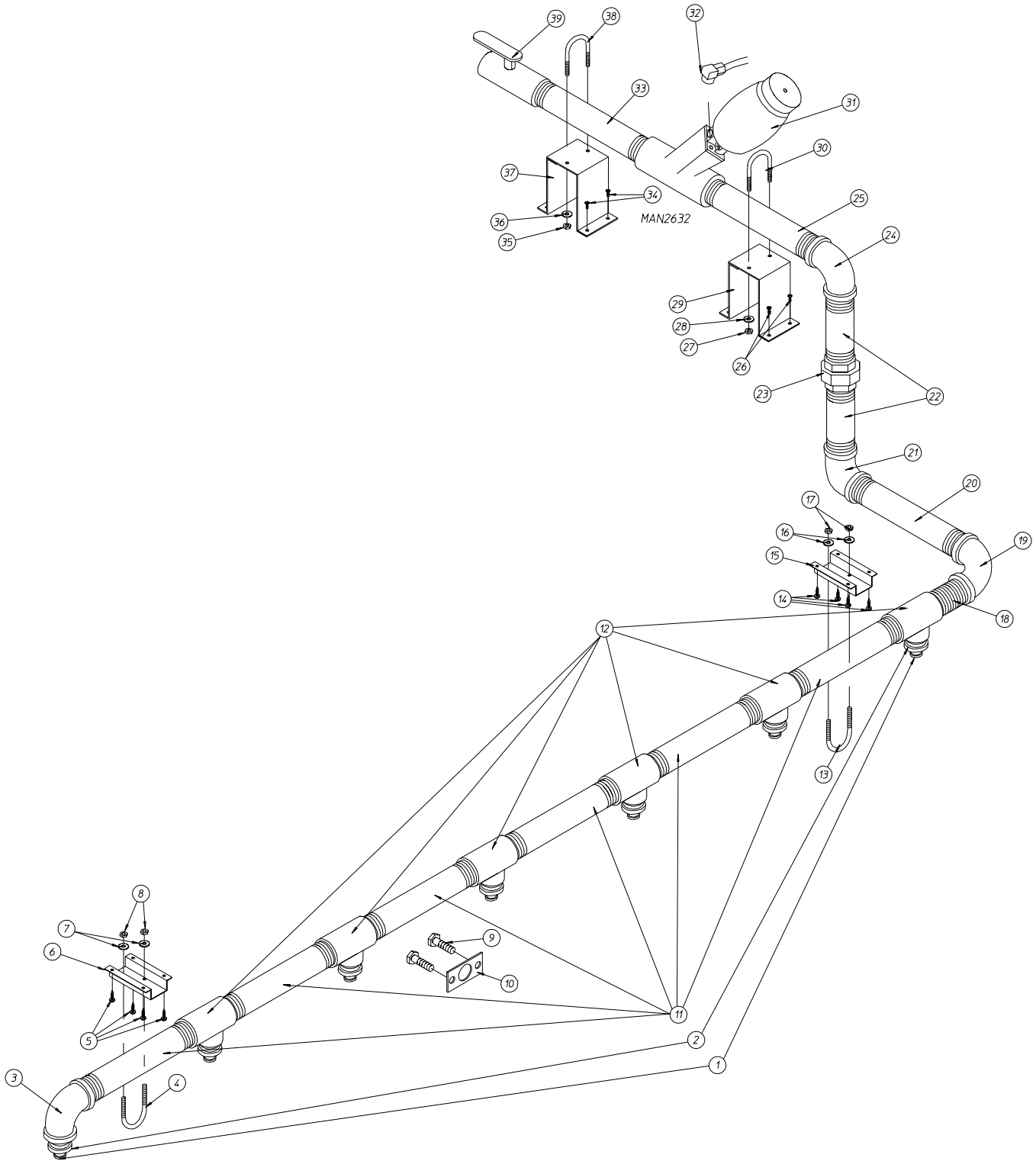
Optional Sprinkler Assembly

For Models Mfd. as of November 14, 1996

<u>Illus. No.</u>	<u>Part No.</u>	<u>Qty.</u>	<u>Description</u>
1	143556	1	1" Ball Valve
2	154350	1	1" Pipe U-Bolt
3	821640	1	Top Pipe Bracket
4	153007	2	1/4" Lock Washer
5	152002	2	1/4-20 Hex Nut
6	150309	4	#10-16 x 1/2" Hex Head TEK Crimptite Screw
7	142581	1	1" x 5" Nipple
8	143277	1	1/4" x 1/8" M.P.T. 90° Brass Elbow
9	100565	1	Air-Operated Sprinkler Valve
10	154350	1	1" Pipe U-Bolt
11	821640	1	Top Pipe Bracket
12	153007	2	1/4" Lock Washer
13	152002	2	1/4-20 Hex Nut
14	150309	4	#10-16 x 1/2" Hex Head TEK Crimptite Screw
15	142581	1	1" x 5" Nipple
16	142548	1	1" x 90° Elbow
17	142602	1	1" Union
18	142724	1	1" x 2" Nipple
19	142808	1	1" x 3" Nipple
20	142548	2	1" x 90° Elbow
21	142581	1	1" x 5" Nipple
22	142584	1	1" x 4-1/2" Nipple
23	142602	1	1" Union
24	142621	1	1" x 32" Nipple with Holes
25	154350	1	1" Pipe U-Bolt
26	150309	4	#10-16 x 1/2" Hex Head TEK Crimptite Screw
27	332856	1	Sprinkler Pipe Bracket
28	153007	2	1/4" Lock Washer
29	152002	2	1/4-20 Hex Nut
30	331877	1	Temperature Sensor Mounting Plate
31	150523	2	1/4-20 x 3/4" Hex Washer TEK Screw
32	154350	1	1" Pipe U-Bolt
33	150309	4	#10-16 x 1/2" Hex Head TEK Crimptite Screw
34	332856	1	Sprinkler Pipe Bracket
35	153007	2	1/4" Lock Washer
36	152002	2	1/4-20 Hex Nut
37	142591	1	1" Pipe Cap

Optional Sprinkler Assembly

For Models Mfd. prior to November 14, 1996



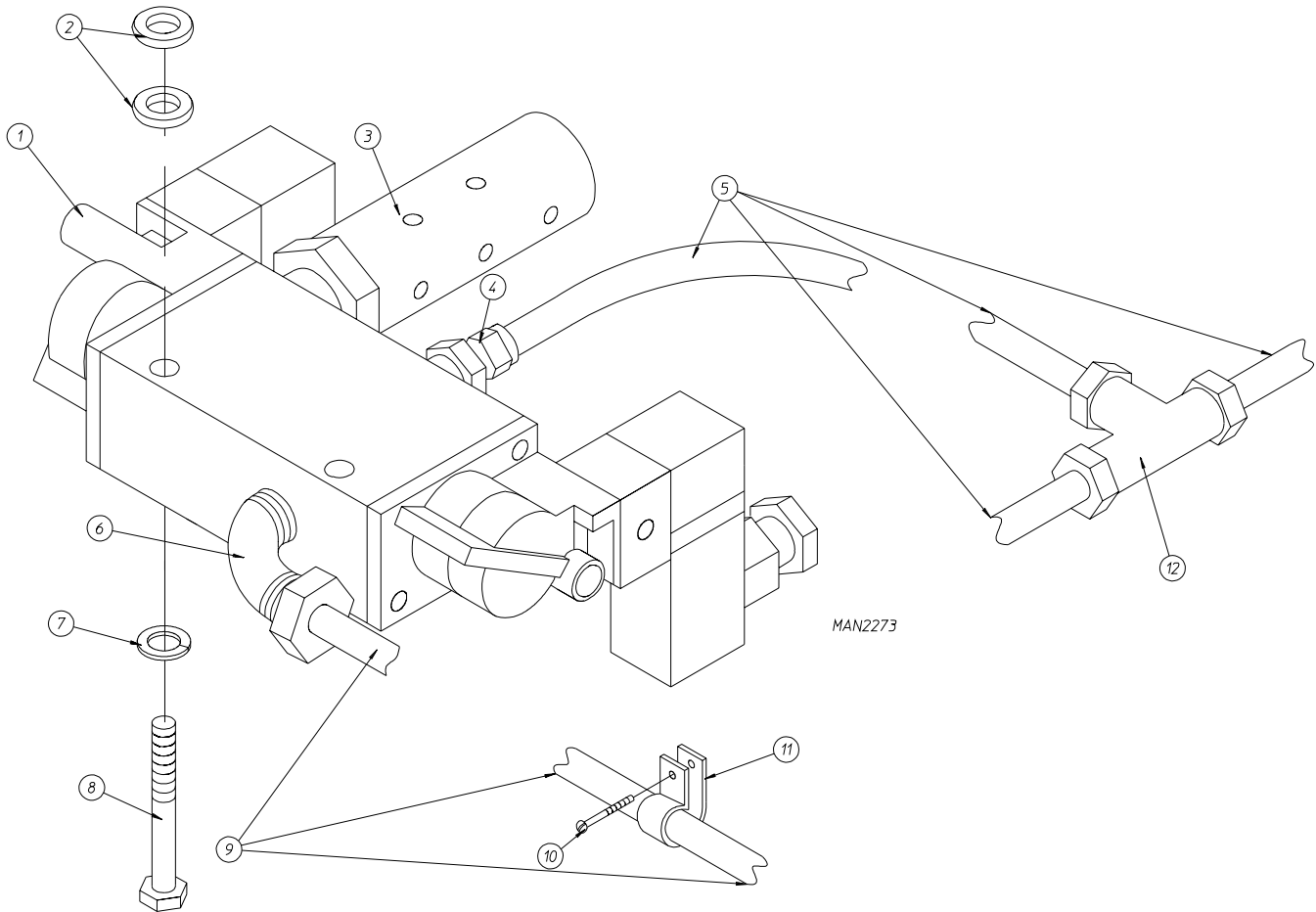
Optional Sprinkler Assembly

For Models Mfd. prior to November 14, 1996

<u>Illus. No.</u>	<u>Part No.</u>	<u>Qty.</u>	<u>Description</u>
1	140927	7	1/4" Sprinkler Nozzle
2	142926	7	1" x 1/4" Reducing Bushing
3	142548	1	1" x 90° Elbow
4	154350	1	1" Pipe U-Bolt
5	150309	4	#10-16 x 1/2" Hex Head TEK Crimptite Screw
6	332941	1	Inner Pipe Bracket
7	153007	2	1/4" Lock Washer
8	152002	2	1/4-20 Hex Nut
9	150523	2	1/4-20 x 3/4" Hex Washer TEK Screw
10	331877	1	Temperature Sensor Mounting Plate
11	142581	6	1" x 5" Nipple
12	142508	6	1" Tee
13	154350	1	1" Pipe U-Bolt
14	150309	4	#10-16 x 1/2" Hex Head TEK Crimptite Screw
15	332941	1	Inner Pipe Bracket
16	153007	2	1/4" Lock Washer
17	152002	2	1/4-20 Hex Nut
18	142711	1	1" Close Nipple
19	142548	1	1" 90° Elbow
20	142581	1	1" x 5" Nipple
21	142548	1	1" 90° Elbow
22	142724	2	1" x 2" Nipple
23	142602	1	1" Union
24	142548	1	1" x 90° Elbow
25	142581	1	1" x 5" Nipple
26	150309	4	#10-16 x 1/2" Hex Head TEK Crimptite Screw
27	152002	2	1/4-20 Hex Nut
28	153007	2	1/4" Lock Washer
29	821640	1	Top Pipe Bracket
30	154350	1	1" Pipe U-Bolt
31	100565	1	1" Air-Operated Sprinkler Valve (for models mfd. as of July 22, 1996)
	881414	1	1" Air-Operated Sprinkler Valve (replaces part no. 100557 used on models mfd. prior to July 22, 1996) (includes illus. nos. 31 and 32)
32	143277	1	1/4" Compression Fitting x 1/8" M.P.T. Elbow (for models mfd. as of July 22, 1996)
	143210	1	1/4" Compression Fitting x 1/4" M.P.T. Elbow (for models mfd. prior to July 22, 1996)
33	142581	1	1" x 5" Nipple
34	150309	4	#10-16 x 1/2" Hex Head TEK Crimptite Screw
35	152002	2	1/4-20 Hex Nut
36	153007	2	1/4" Lock Washer
37	821640	1	Top Pipe Bracket
38	154350	1	1" Pipe U-Bolt
39	143556	1	1" Ball Valve

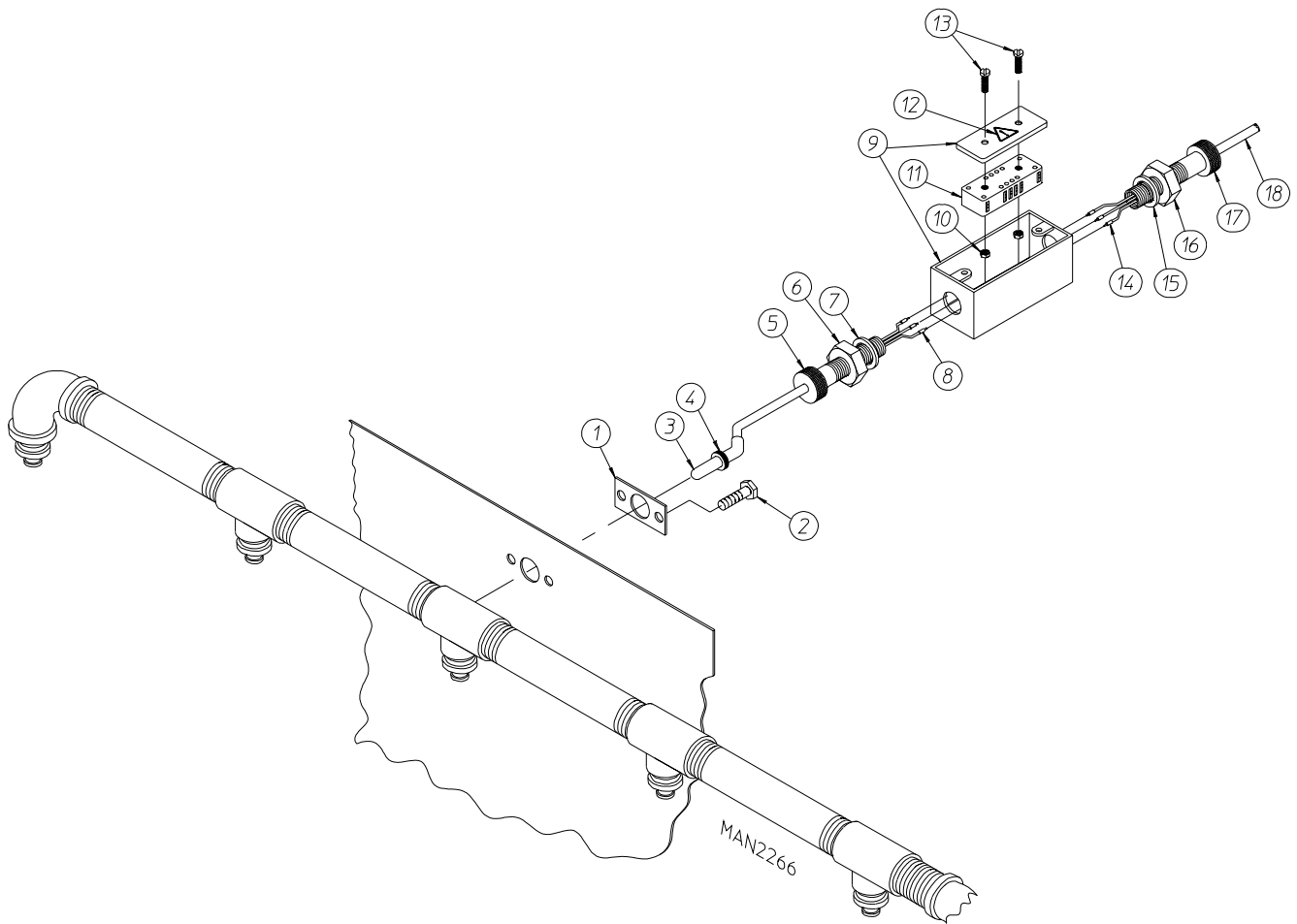
Pneumatic Assembly

For Models Mfd. with Sprinkler Option



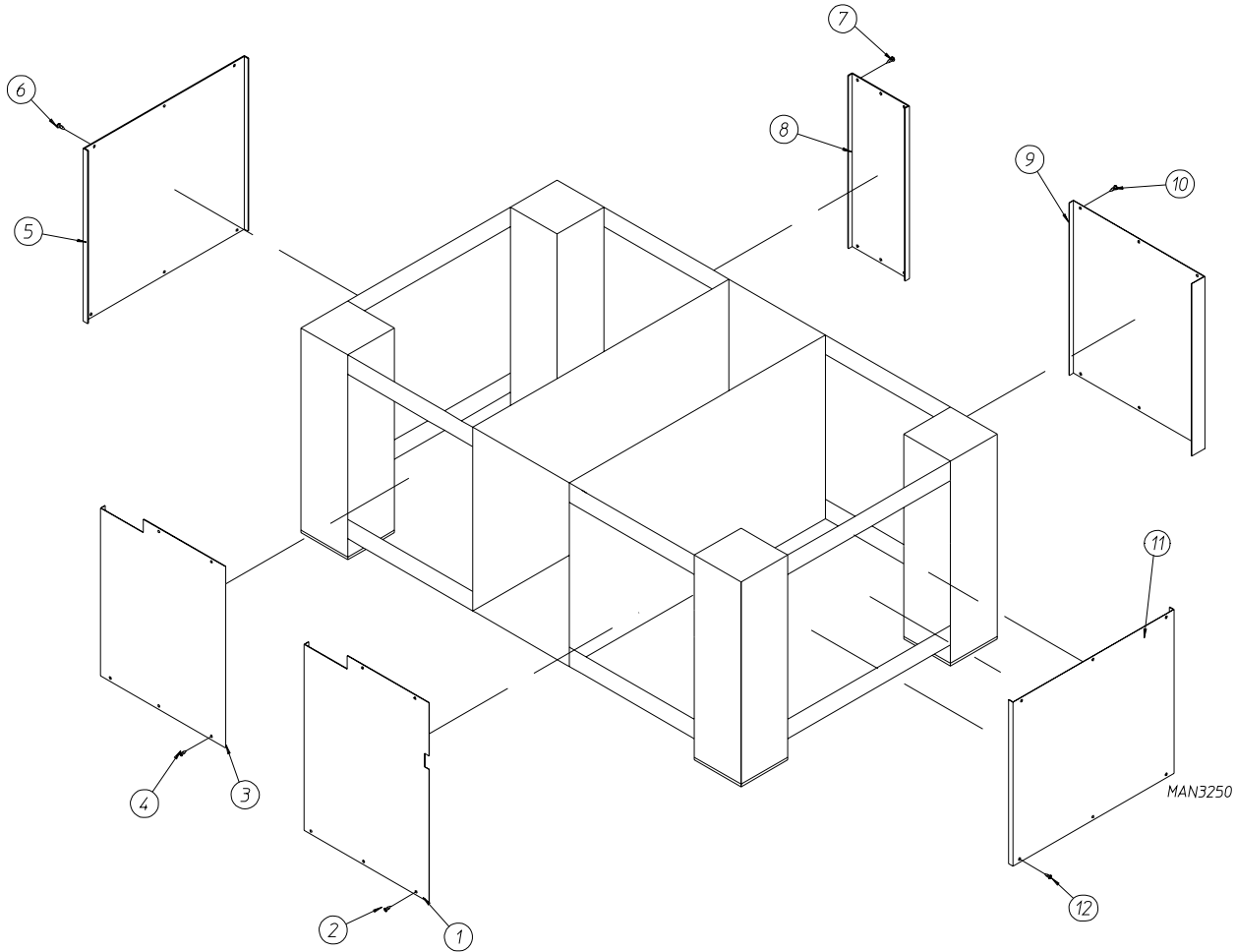
<u>Illus. No.</u>	<u>Part No.</u>	<u>Qty.</u>	<u>Description</u>
1	100556	1	Sprinkler Solenoid – 120 Volt
2	153018	4	1/4" Flat Washer
3	100462	1	3/8" Valve Muffler (silencer)
4	143283	1	3/8" Poly x 3/8" M.P.T. Brass Connector
5	143120	6	3/8" Poly-Flo Tubing (sold by the foot)
6	143151	1	1/4" Compression to 3/8" M.P.T. Brass Elbow
7	153007	2	1/4" Lock Washer
8	150524	2	1/4-20 x 2" Hex Head Machine Bolt
9	143100	12	1/4" Aluminum Tubing (sold by the foot)
10	150309	2	#10-16 x 1/2" Hex Head TEK Crimpite Screw
11	154005	2	1/4" Tube Clip
12	143221	1	3/8" Poly Tee

Sprinkler Temperature Probe Junction Box Assembly



Illus. No.	Part No.	Qty.	Description
1	331877	1	Temperature Sensor Mounting Plate
2	150523	2	1/4-20 x 3/4" Hex Head TEK Screw
3	881227	1	Resistive Temperature Device Temperature Probe Assembly (includes illus. nos. 3, 4, and 8)
4	143296	1	1/4" Compression Fitting
5	120652	1	1/2" N.P.T. Cord Grip (red)
6	120915	1	1/2" N.P.T. Locknut
7	120914	1	1/2" Metal "O" Ring
8	122736	3	Yellow Ferrule
9	881228	1	Sprinkler Temperature Probe Box Assembly (includes illus. nos. 9 and 12)
10	152000	2	#6-32 Hex Nut
11	120703	1	6-Position Terminal Block
12	122427	1	"Caution" Label
13	150008	2	#6-32 x 1-1/4" Phillips Round Head Machine Screw
14	122736	3	Yellow Ferrule
15	120914	1	1/2" Metal "O" Ring
16	120915	1	1/2" N.P.T. Locknut
17	120650	1	1/2" N.P.T. Cord Grip (white)
18	881229	1	Sprinkler Temperature Probe Harness

Base Panel Assemblies



<u>Illus. No.</u>	<u>Part No.</u>	<u>Qty.</u>	<u>Description</u>
1	334169	1	Front Base Panel
2	150522	6	1/4-20 x 1/2" Hex Washer TEK Screw
3	334169	1	Front Base Panel
4	150522	6	1/4-20 x 1/2" Hex Washer TEK Screw
5	881530	1	Left Side Base Panel (for gas models Only)
	881532	1	Left Base Panel (for gas models with side exhaust Only)
	881533	1	Left Base Panel (for steam models Only)
	881534	1	Left Base Panel (for steam models with side exhaust Only)
6	150522	10	1/4-20 x 1/2" Hex Head TEK Screw
7	150522	6	1/4-20 x 1/2" Hex Head TEK Screw
8	334158	1	Rear Right Base Panel
	334234	1	Rear Right Base Panel (for all models with side exhaust Only)
9	334168	1	Rear Left Base Panel
	334234	1	Rear Left Base Panel (for all models with side exhaust Only)
10	150522	6	1/4-20 x 1/2" Hex Washer TEK Screw
11	334214	1	Right Side Base Panel
12	150522	12	1/4-20 x 1/2" Hex Washer TEK Screw

