



AD-236 Parts Manual

24 VAC Phase 5

American Dryer Corporation
88 Currant Road
Fall River, MA 02720-4781
Telephone: (508) 678-9000 / Fax: (508) 678-9447
E-mail: techsupport@amdry.com

www.amdry.com

Retain This Manual In A Safe Place For Future Reference

American Dryer Corporation products embody advanced concepts in engineering, design, and safety. If this product is properly maintained, it will provide many years of safe, efficient, and trouble free operation.

ONLY qualified technicians should service this equipment.

OBSERVE ALL SAFETY PRECAUTIONS displayed on the equipment or specified in the installation manual included with the dryer.

The following “**FOR YOUR SAFETY**” caution **must be** posted near the dryer in a prominent location.

FOR YOUR SAFETY

Do not store or use gasoline or other flammable vapors and liquids in the vicinity of this or any other appliance.

POUR VOTRE SÉCURITÉ

Ne pas entreposer ni utiliser d'essence ni d'autres vapeurs ou liquides inflammables à proximité de cet appareil ou de tout autre appareil.

We have tried to make this manual as complete as possible and hope you will find it useful. **ADC** reserves the right to make changes from time to time, without notice or obligation, in prices, specifications, colors, and material, and to change or discontinue models.

Important

For your convenience, log the following information:

DATE OF PURCHASE _____ **MODEL NO.** AD-236 _____

RESELLER'S NAME _____

Serial Number(s) _____

Replacement parts can be obtained from your reseller or the **ADC** factory. When ordering replacement parts from the factory, you can FAX your order to **ADC** at (508) 678-9447 or telephone your order directly to the **ADC** Parts Department at (508) 678-9000. Please specify the dryer **model number** and **serial number** in addition to the **description** and **part number**, so that your order is processed accurately and promptly.

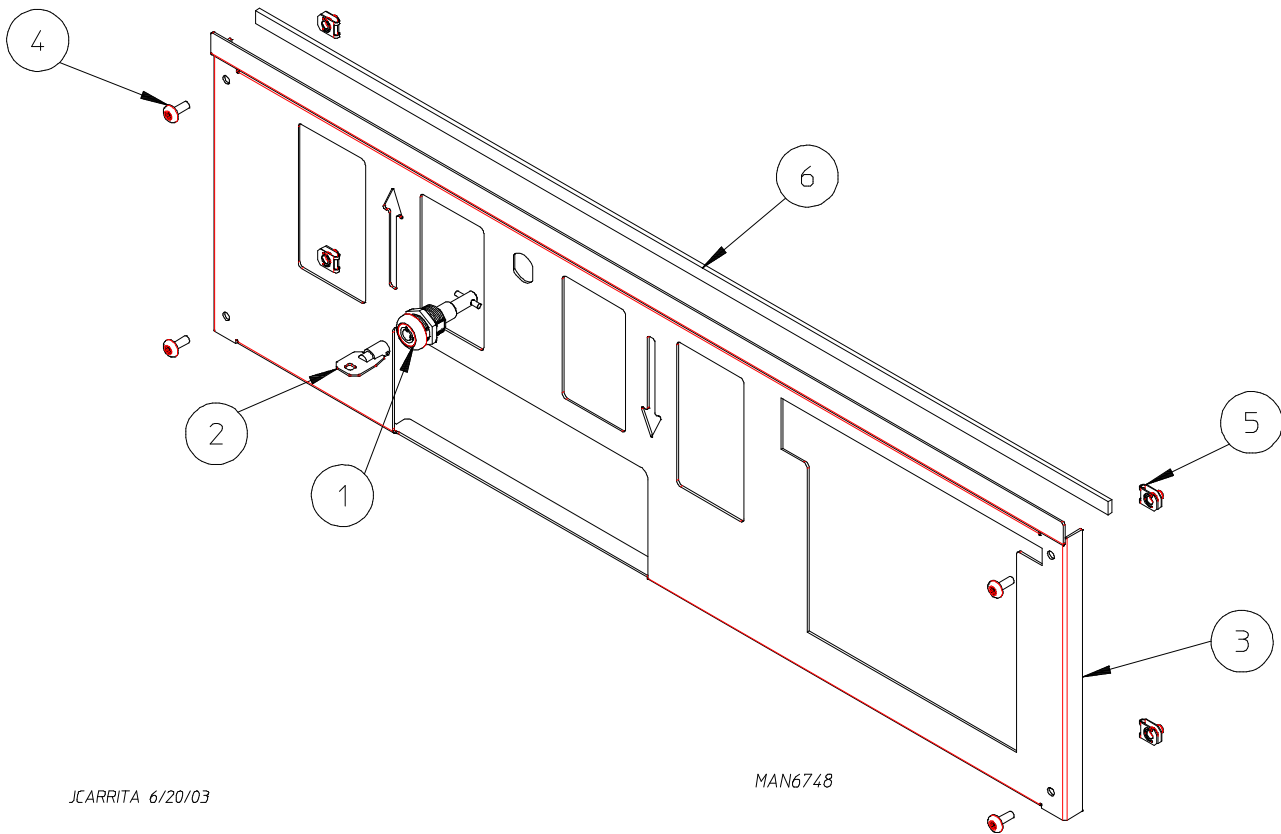
The illustrations on the following pages may not depict your particular dryer exactly. The illustrations are a composite of the various dryer models. Be sure to check the descriptions of the parts thoroughly before ordering.

“IMPORTANT NOTE TO PURCHASER”

Information **must be** obtained from your local gas supplier on the instructions to be followed if the user smells gas. These instructions **must be** posted in a prominent location near the dryer.

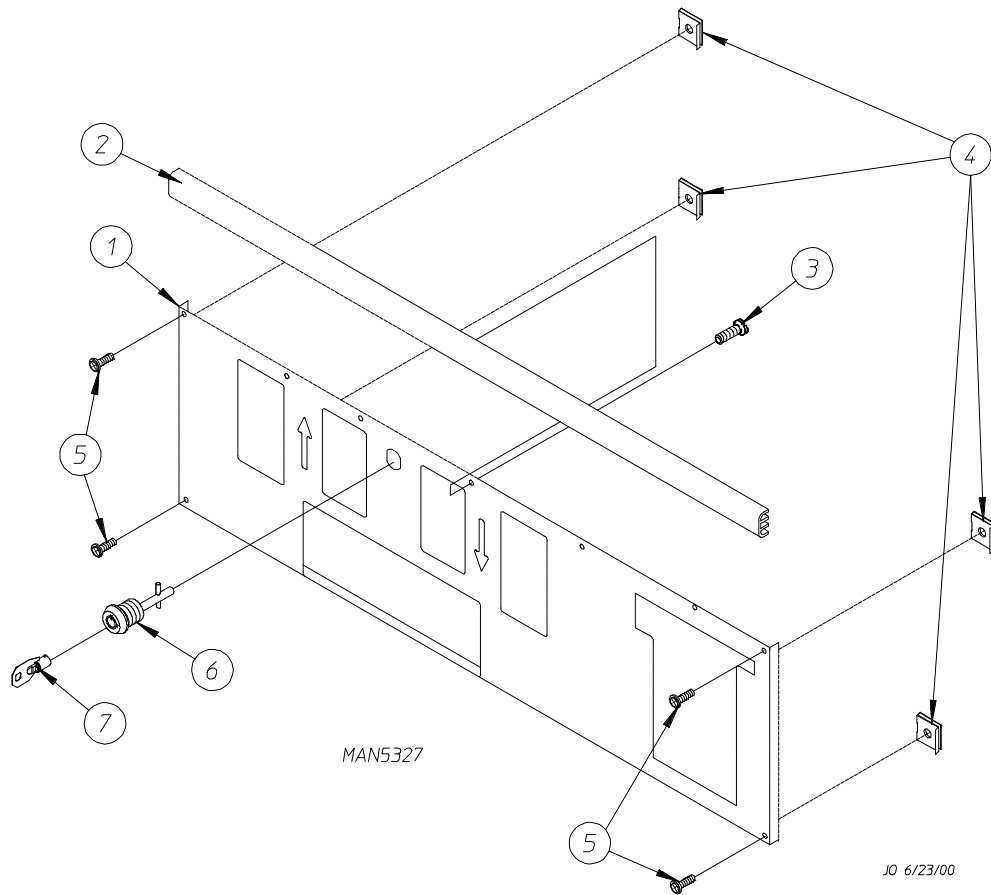
Table of Contents

Coin Control Door Assembly	
For Models Mfd. as of May 30, 2003	2
Locking Control Door Assembly	
For Models Mfd. prior to May 30, 2003	3
Coin Microprocessor Control Panel/Box Assemblies	4, 5
Upper Front Panel Assembly (For Plastic Door)	6
Upper Front Panel Assembly (For Cold Rolled Steel [CRS] Door)	7
Lower Front Panel Assembly (For Plastic Door)	8
Lower Front Panel Assembly (For Cold Rolled Steel [CRS] Door)	9
Plastic Main Door Assembly	10
Main Door “Steel” Assembly	11
Main Door Switch Assembly (For Plastic Door)	12
Main Door Switch Assembly (For Cold Rolled Steel [CRS] Type Door)	13
Basket (Tumbler)/Support Assembly	14
Lint Drawer Assembly	15
Lint Drawer Switch Assembly	16
Upper Pocket Sensor Bracket Assembly	17
Lower Pocket Sensor Bracket Assembly	18
Idler Bearing Assembly	19
Basket (Tumbler) Bearing Assembly	20, 21
T.E.F.C. Motor Mount Assembly	22, 23
Direct Spark Ignition (DSI) Gas Valve/Burner Assembly	24, 25
Gas Piping Assembly	26
Gas Burner Assembly	27
Sail Switch Assembly	28
Single Phase (1 ϕ) Motor, Electrical Relay Panel Assembly	29
3-Phase (3 ϕ) Motor, Electrical Relay Panel Assembly	30
Back Guard Assembly	31
Exhaust Ducting Assembly	32
Additional Parts Available	33

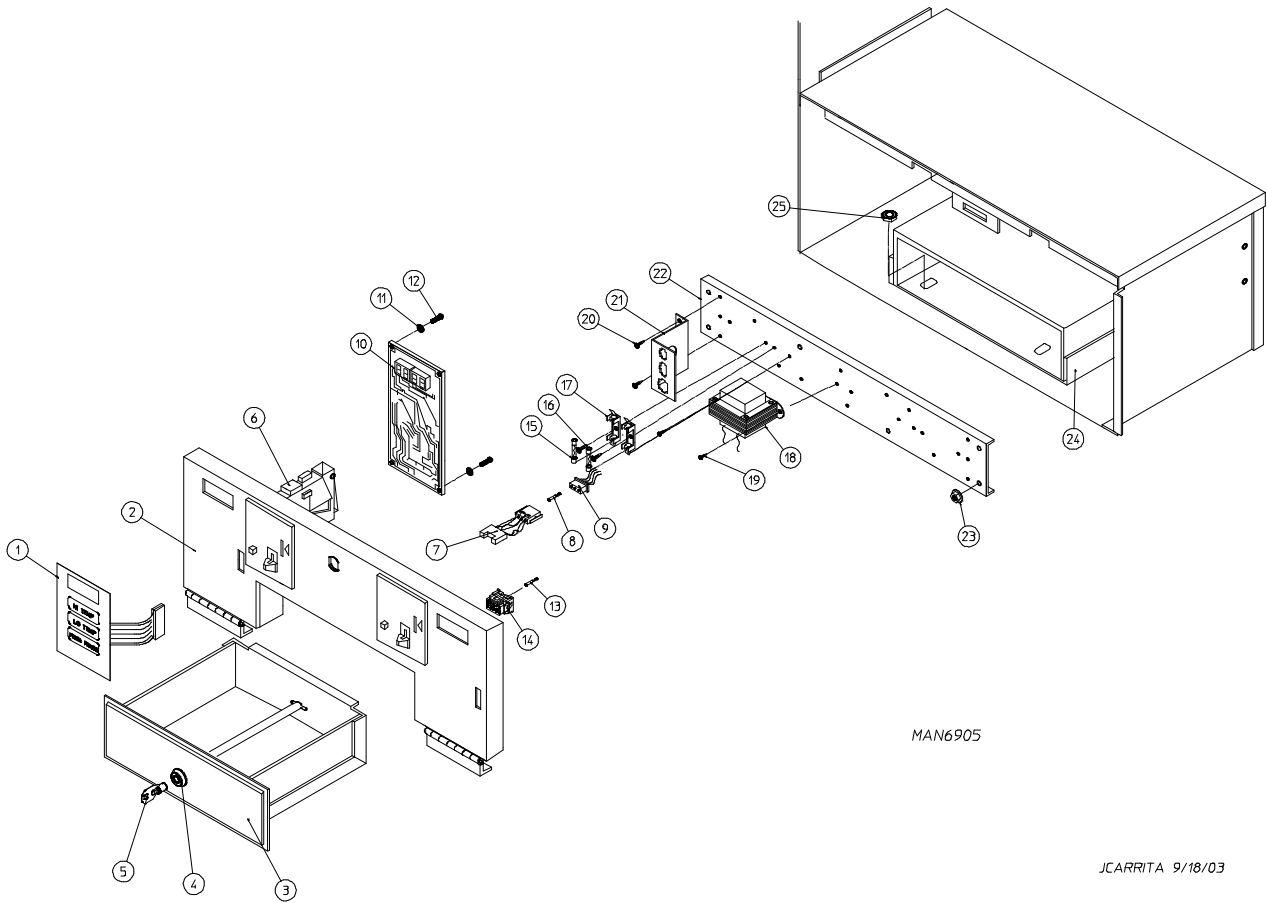


<u>Illus. No.</u>	<u>Part No.</u>	<u>Qty.</u>	<u>Description</u>
1	160040	1	ACE® Control Door Lock
2	160140	1	ACE® Key XX4451
3	883896	1	White Locking Control Door Complete (includes illus. nos. 1 through 3 and 6)
	883897	1	Ivory Locking Control Door Complete (includes illus. nos. 1 through 3 and 6)
	883898	1	Blue Locking Control Door Complete (includes illus. nos. 1 through 3 and 6)
4	150314	4	#10-32 x 1/2" Torx + Screw
5	154011	4	#10-32 Multi-Thread U-Nut
6	117604	3	Noise Suppression Tape

For Models Mfd. prior to May 30, 2003



<u>Illus. No.</u>	<u>Part No.</u>	<u>Qty.</u>	<u>Description</u>
1	882691	1	White Locking Control Door Complete (includes illus. nos. 1 through 3)
	883466	1	Ivory Locking Control Door Complete (includes illus. nos. 1 through 3)
	882692	1	Almond Locking Control Door Complete (includes illus. nos. 1 through 3)
	882693	1	Blue Locking Control Door Complete (includes illus. nos. 1 through 3)
2	180516	1	Black Trim
3	150201	5	#10-32 x 1/4" Phillips Pan Head Screw
4	154011	4	#10-32 Multi-Thread U-Nut (for models mfd. as of January 4, 2001)
	154009	4	Tinnerman Clips (for models mfd. prior to January 4, 2001)
5	150217	4	#10-32 x 3/4" Phillips Pan Head Machine Screw
6	160040	1	ACE® Control Door Lock
7	160140	1	ACE® Key XX4451



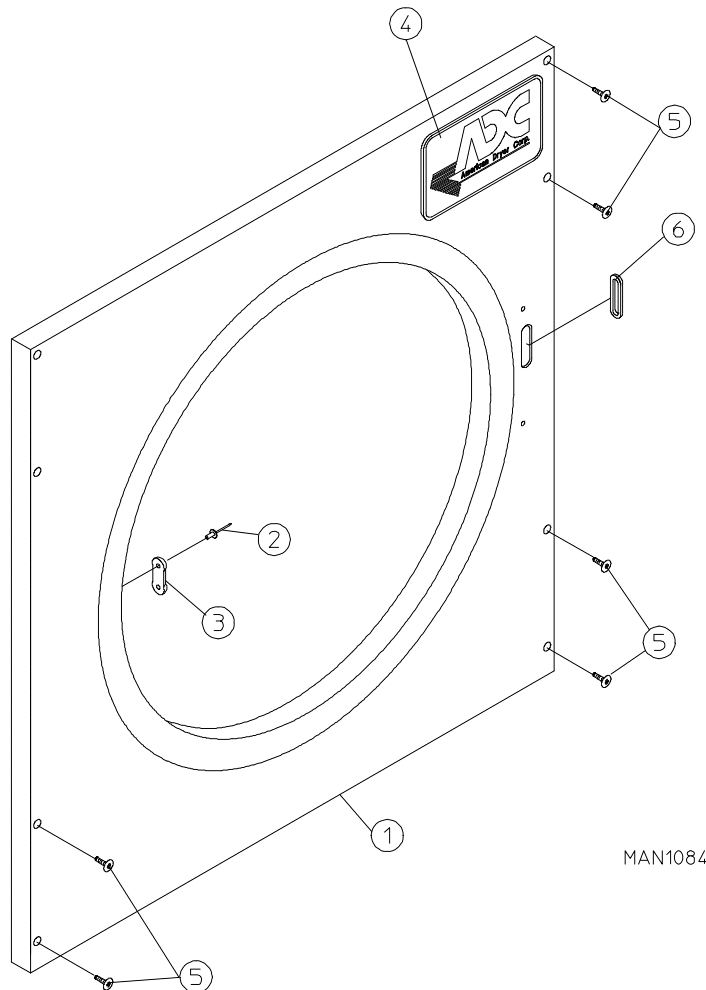
NOTE: Duplicate ALL components for right hand side of control box.

<u>Illus. No.</u>	<u>Part No.</u>	<u>Qty.</u>	<u>Description</u>
1	112526	1	Coin Keyboard (touch pad) Label Assembly
2	882694	1	Control Panel Assembly Less Acceptor (includes illus. nos. 1, 2, and 10 through 12)
3	882695	1	White Coin Box
	883467	1	Ivory Coin Box
	882696	1	Almond Coin Box
	882697	1	Blue Coin Box
4	160042	1	ACE® Standard Coin Box Lock Assembly with Key
5	160136*	1	Key (for standard coin box lock)
6	881163	1	Microprocessor Single Coin Acceptor with Optical Switch
7	881143	1	Optical Switch
8	137021**	3	Microprocessor Socket
9	137023**	1	Optical Switch Connector
	880772	1	Single Coin Optic Switch Harness
	824080	1	Dual Coin Optic Switch Harness
10	137213	1	Phase 5 Coin Controller
	824998	1	Phase 5 Battery Clip
11	153010	2	#6 Star Washer
12	150005	2	#6-32 x 1/4" Phillips Round Head Machine Screw
13	122706	15	Microprocessor Socket
14	122641	1	15-Pin Microprocessor Connector
	122800	1	Microprocessor (female) Pin Extraction Tool
15	136057	1 or 2	1/2-Amp (Slo-Blo) Fuse
16	150002	1 or 2	#6-32 x 1" Round Head Machine Screw
17	136008	1 or 2	Fuse Block
18	141403	1	24 volt Transformer
19	150301	2	#8-18 x 7/16" Phillips Pan Head TEK Screw
20	150301	2	#8-18 x 7/16" Phillips Pan Head TEK Screw
21	353258	1	Plug Retainer Bracket
22	826343	1	Control Box Panel Assembly Complete (115 volt) (includes illus. nos. 15 through 22)
	826342	1	Control Box Panel Assembly Complete (208-240 volt) (includes illus. nos. 15 through 22)
23	151001	6	#8-32 Pal Nut
24	882699	1	White Coin Vault
	882700	1	Almond Coin Vault
	883899	1	Ivory Coin Vault
	882701	1	Blue Coin Vault
25	152014	4	1/4-20 Hex Flange Nut

* Specify key number when ordering.

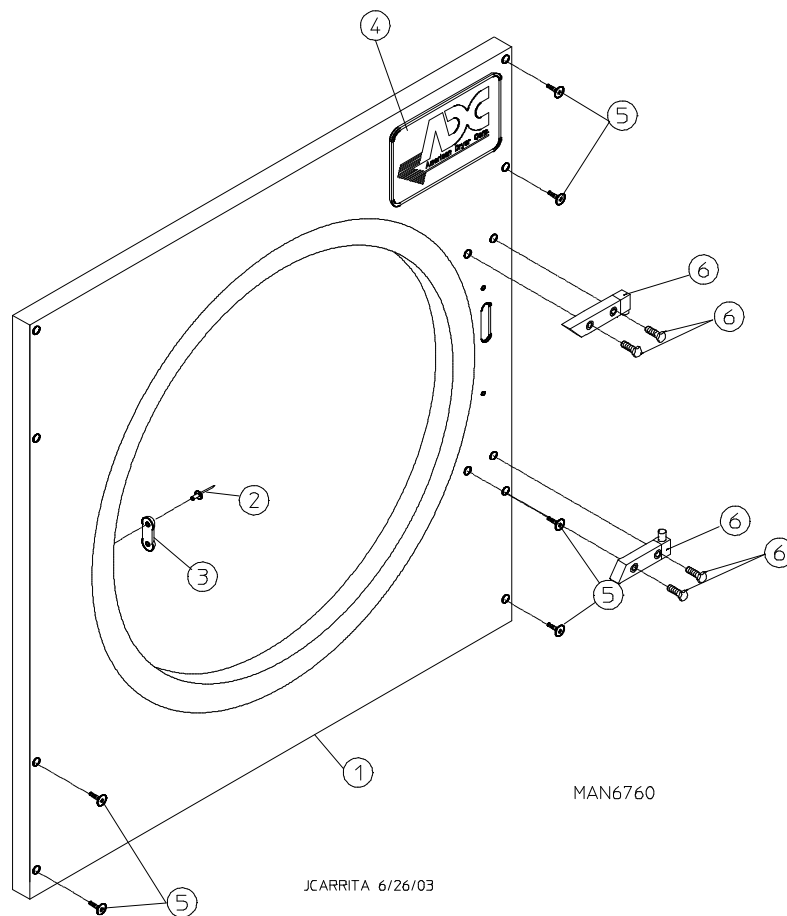
** For dual coin, double the quantity.

IMPORTANT: Check label on computer chip to verify correct part number for controller (computer).

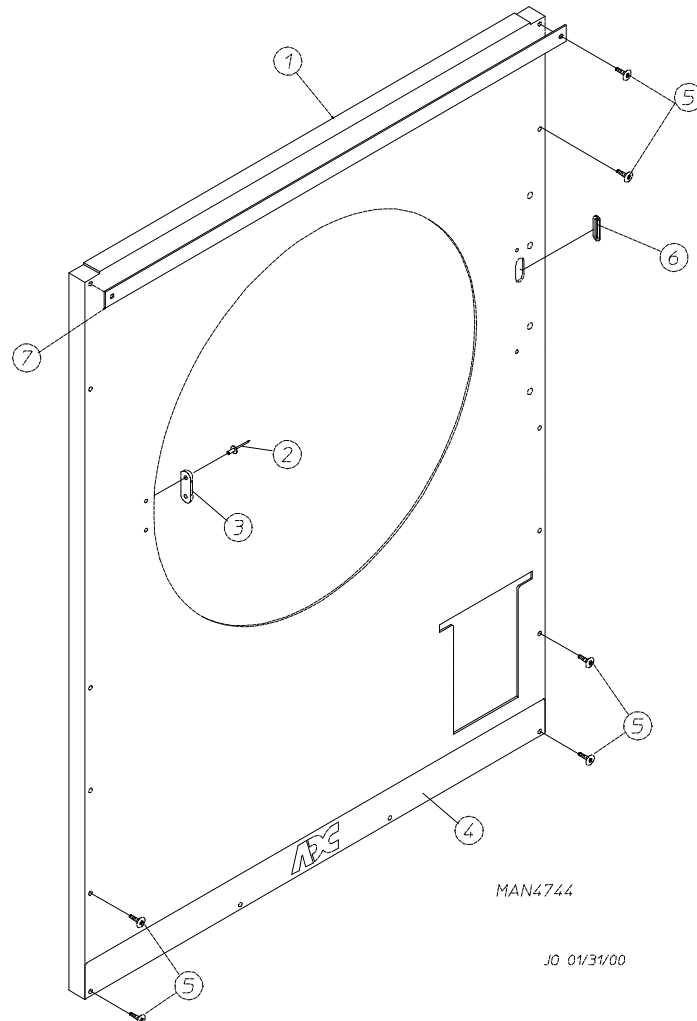


MAN1084

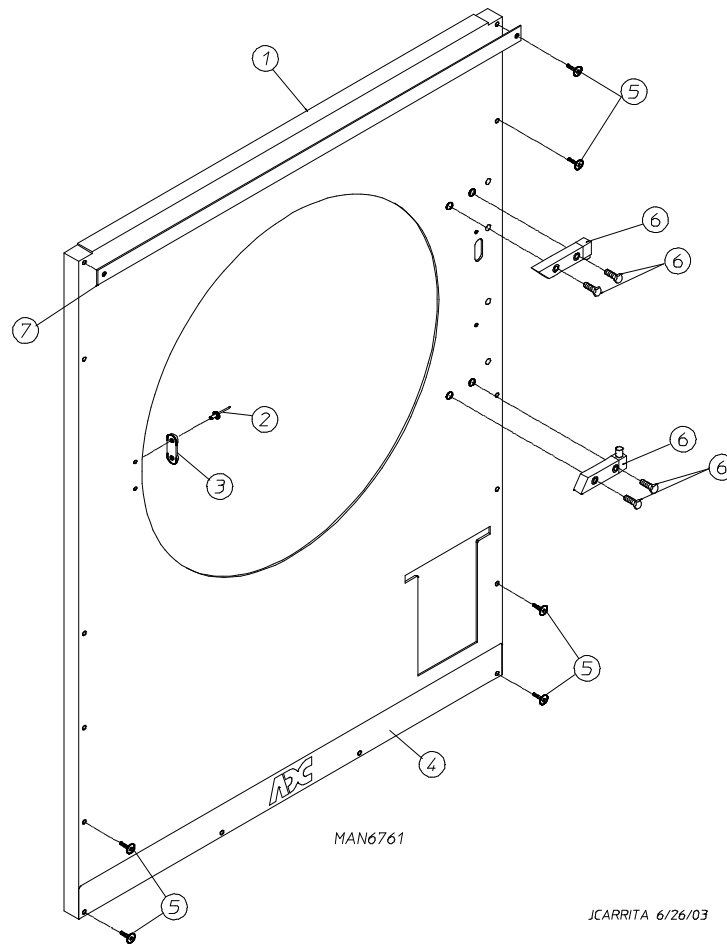
<u>Illus. No.</u>	<u>Part No.</u>	<u>Qty.</u>	<u>Description</u>
1	882705	1	White Upper Front Panel Assembly (includes illus. nos. 1, 2, 3, and 6)
	882706	1	Almond Upper Front Panel Assembly (includes illus. nos. 1, 2, 3, and 6)
	882707	1	Blue Upper Front Panel Assembly (includes illus. nos. 1, 2, 3, and 6)
	883469	1	Ivory Upper Front Panel Assembly (includes illus. nos. 1, 2, 3, and 6)
2	154215	2	1/4" Pop Rivet
3	170330	1	Friction Door Latch
4	112350	1	ADC Logo ONLY
	870011	1	Logo Double Tape Kit
5	150309	8	#10-16 x 1/2" Hex Head TEK Crimptite Screw
	150313	8	#10-16 x 1/2" TORX + Screw (for models mfd. as of October 2, 2000)
6	121405	1	Rubber Grommet



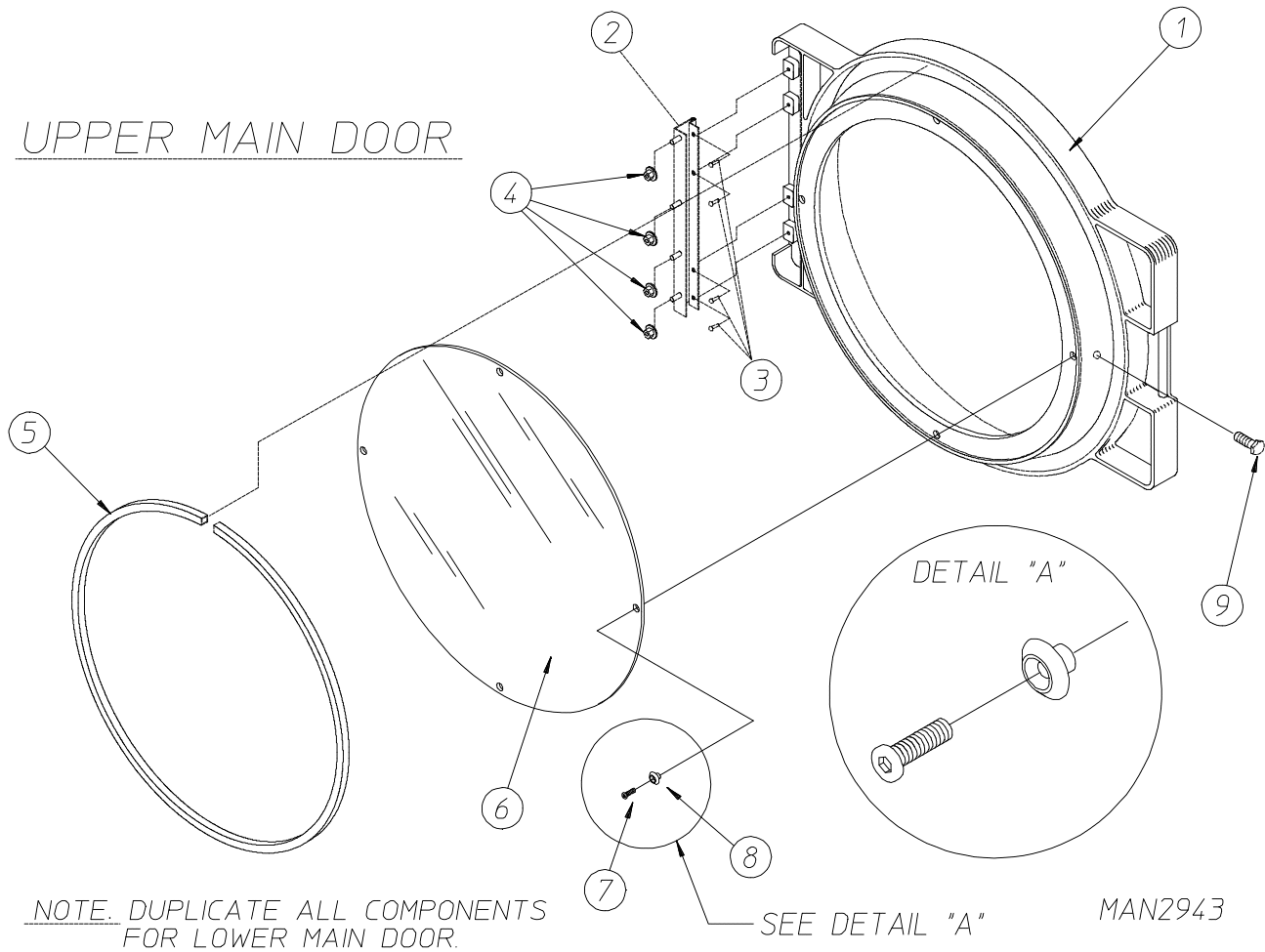
<u>Illus. No.</u>	<u>Part No.</u>	<u>Qty.</u>	<u>Description</u>
1	883260	1	White Upper Front Panel Assembly (includes illus. nos. 1, 2, and 3)
	883262	1	Almond Upper Front Panel Assembly (includes illus. nos. 1, 2, and 3)
	883261	1	Blue Upper Front Panel Assembly (includes illus. nos. 1, 2, and 3)
	883468	1	Ivory Upper Front Panel Assembly (includes illus. nos. 1, 2, and 3)
2	154215	2	1/4" Pop Rivet
3	170330	1	Friction Door Latch
4	112350	1	ADC Logo ONLY
	870011	1	Logo Double Tape Kit
5	150309	8	#10-16 x 1/2" Hex Head TEK Crimptite Screw
	150313	8	#10-16 x 1/2" TORX + Screw (for models mfd. as of October 2, 2000)
6	-----	--	Main Door Hinge (refer to Main Door "Steel" Assembly on page 11)



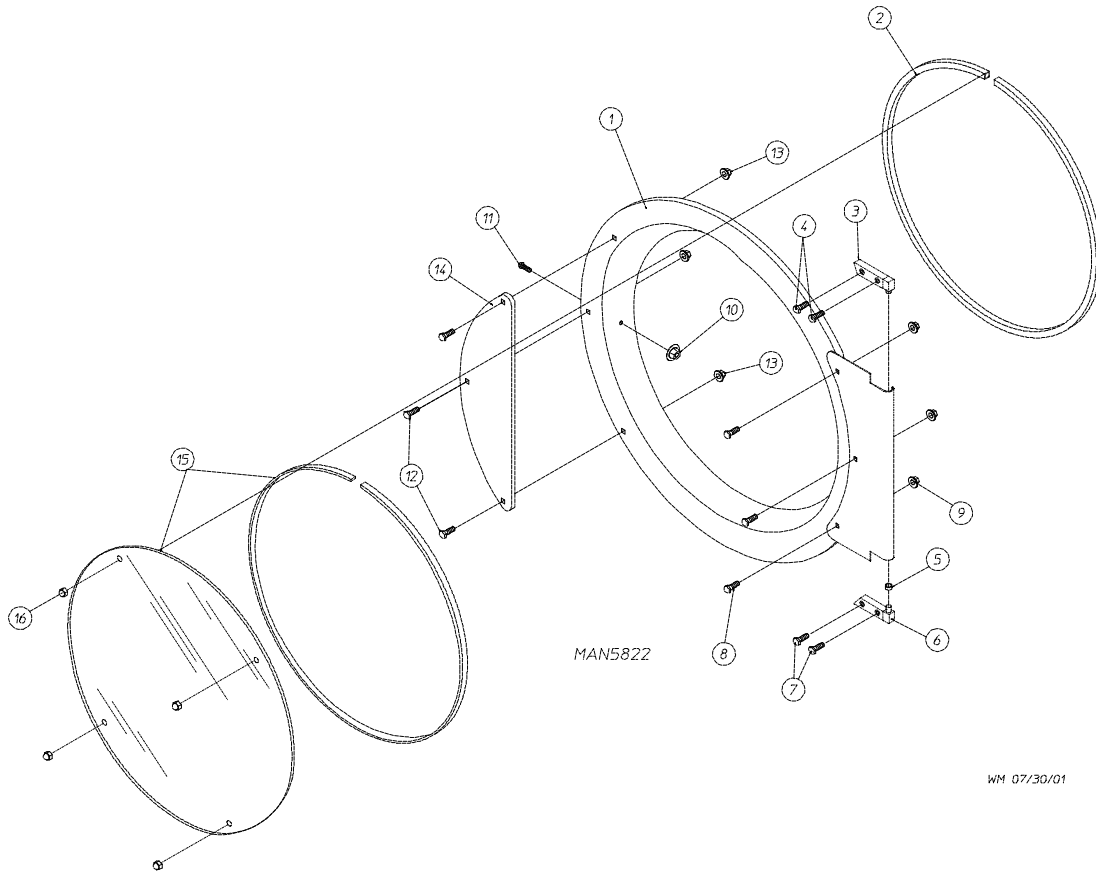
<u>Illus. No.</u>	<u>Part No.</u>	<u>Qty.</u>	<u>Description</u>
1	882702	1	White Lower Front Panel Assembly (includes illus. nos. 1 through 4, 6, and 7)
	882703	1	Almond Lower Front Panel (includes illus. nos. 1 through 4, 6, and 7)
	882704	1	Blue Lower Front Panel (includes illus. nos. 1 through 4, 6, and 7)
	883470	1	Ivory Lower Front Panel (includes illus. nos. 1 through 4, 6, and 7)
2	154215	2	1/4" Pop Rivet
3	170330	1	Friction Door Latch
4	315187	1	Kick Plate Trim
5	150309	14	#10-16 x 1/2" Hex Head TEK Crimptite Screw
	150313	14	#10-16 x 1/2" TORX + Screw (for models mfd. as of October 2, 2000)
6	121405	1	Rubber Grommet
7	882602	1	Black Lower Front Panel Trim



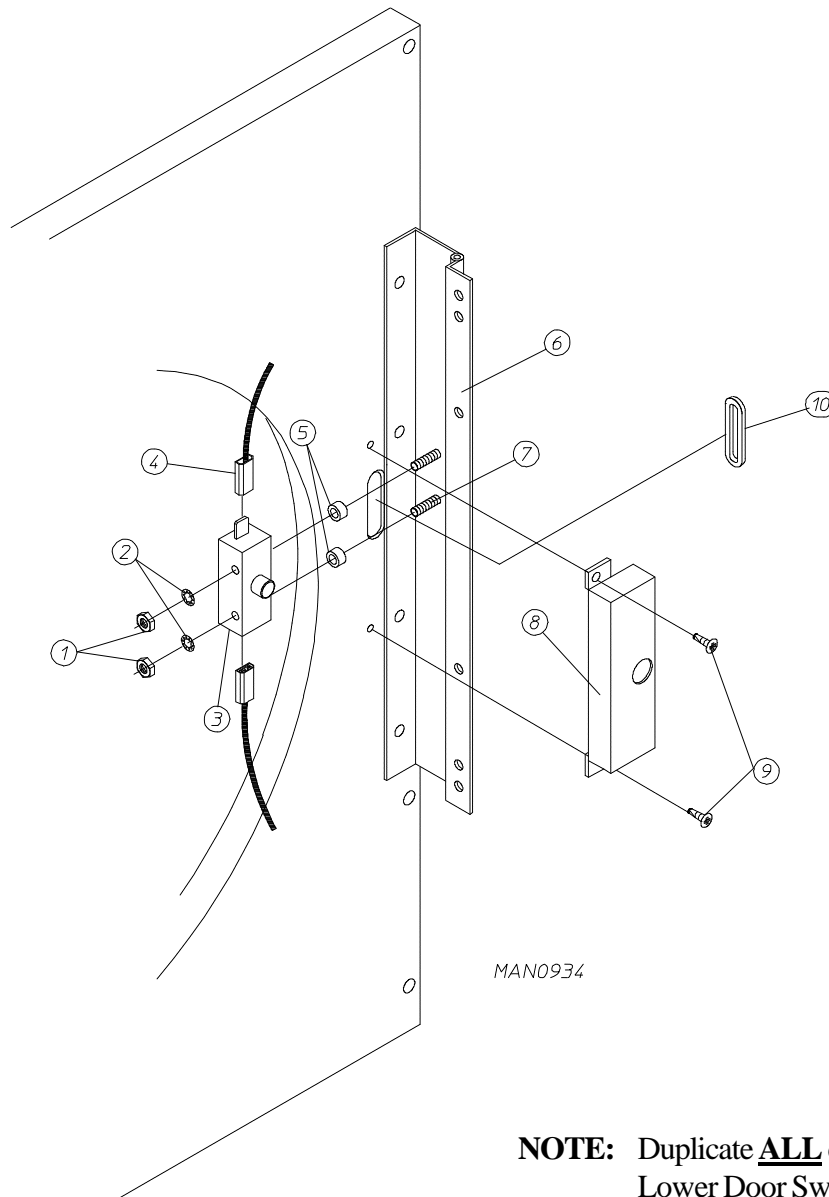
<u>Illus. No.</u>	<u>Part No.</u>	<u>Qty.</u>	<u>Description</u>
1	883479	1	White Lower Front Panel Assembly (includes illus. nos. 1 through 4 and 7)
	883481	1	Almond Lower Front Panel (includes illus. nos. 1 through 4 and 7)
	883480	1	Blue Lower Front Panel (includes illus. nos. 1 through 4 and 7)
	883468	1	Ivory Lower Front Panel (includes illus. nos. 1 through 4 and 7)
2	154215	2	1/4" Pop Rivet
3	170330	1	Friction Door Latch
4	315187	1	Kick Plate Trim
5	150309	14	#10-16 x 1/2" Hex Head TEK Crimptite Screw
	150313	14	#10-16 x 1/2" TORX + Screw (for models mfd. as of October 2, 2000)
6	-----	--	Main Door Hinge (refer to Main Door "Steel" Assembly on page 11)
7	882602	1	Black Lower Front Panel Trim



<u>Illus. No.</u>	<u>Part No.</u>	<u>Qty.</u>	<u>Description</u>
1	881422	1	Black Plastic Main Door Assembly Complete with Mechanical Fasteners (includes illus. nos. 1 and 5 through 9)
2	800448	4	12-1/2" Stainless Steel Main Door Hinge Assembly
3	150410	4	#10-24 x 3/8" Phillips Pan Head Taptite Screw
4	152014	1	1/4-20 Free Spin Wash Nut
5	102349	1	Main Door Gasket
6	102212	1	20-7/16" Door Glass with (4) Holes
	170731	1	Main Door Glass Adhesive (10.3 oz. cartridge)
7	150448	4	1/2" Stainless Steel Flat Head Allen Screw
8	170319	4	Door Glass (nylon) Spacer
9	150431	1	Main Door Latch Screw (#10 x 7/16" dome hex head)

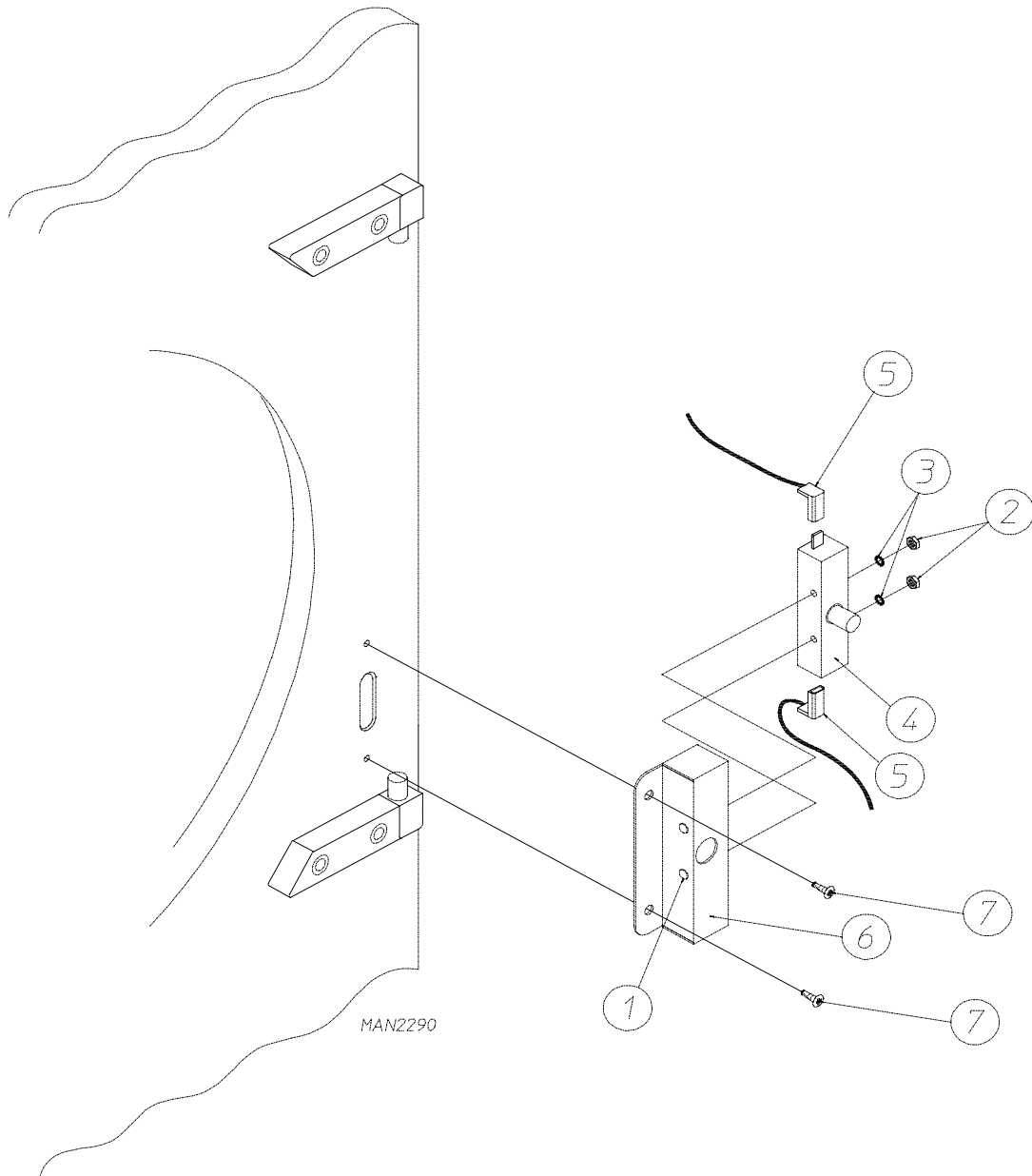


<u>Illus. No.</u>	<u>Part No.</u>	<u>Qty.</u>	<u>Description</u>
1	881150	1	Black Main Door Assembly Complete (includes illus. nos. 1, 2, and 8 through 15)
2	102354	1	Door Gasket
	170731	1	Black Gasket Adhesive (10.3 oz. cartridge)
3	881152	1	Black Top Hinge Block Assembly (includes illus. nos. 3 and 4)
4	150445	2	1/4-20 x 3/4" Black Cap Head Setscrew
5	153031	1	1/4" Nylon Washer
6	881151	1	Black Bottom Hinge Block Assembly (includes illus. nos. 5 through 7)
7	150445	2	1/4-20 x 3/4" Black Cap Head Setscrew
8	150683	3	1/4-20 x 5/8" Black Carriage Bolt
9	152014	3	1/4-20 Free Spin Wash Nut
10	151010	1	#10-32 Black Hex Acorn Nut
11	150120	1	Door Latch Screw
12	150683	3	1/4-20 x 5/8" Black Carriage Bolt
13	152014	3	1/4-20 Free Spin Wash Nut
14	881210	1	Black Main Door Handle ONLY
15	102211	1	20-7/16" Door Glass without Holes
	102218	1	20-7/16" Door Glass with Holes (for models with mechanical fasteners)
	170731	1	Black Glass Adhesive (10.3 oz. cartridge)
16	151013	4	#10-32 Black Nylon Acorn Nut (for models with mechanical fasteners)

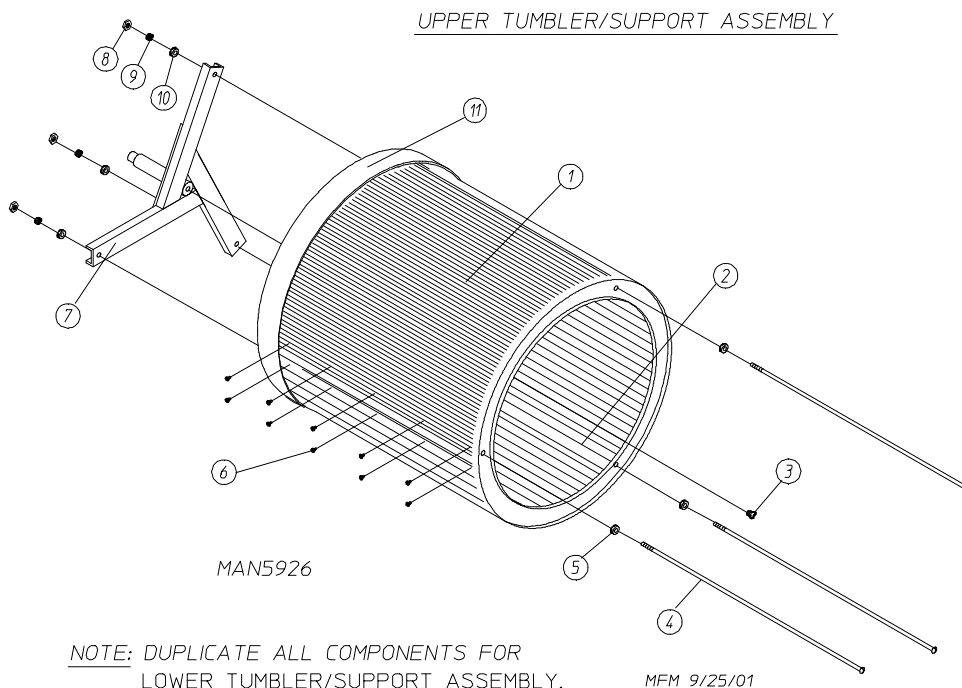


NOTE: Duplicate **ALL** components for Lower Door Switch Assembly.

<u>Illus. No.</u>	<u>Part No.</u>	<u>Qty.</u>	<u>Description</u>
1	152013	2	#6-32 Hex Nut
2	153008	2	#6 Lock Washer
3	137005	1	Single Pole Door Switch
4	121028	2	Insulated Terminal
5	154281	2	3/8" Standard Nylon Spacer
6	800448	1	12-1/2" Stainless Steel Main Door Hinge Assembly (includes illus. nos. 6 and 7)
7	153565	2	#6 Stud
8	881246	1	Main Door Switch Housing
9	150201	2	#10-32 x 1/4" Phillips Pan Head Screw
10	121405	1	Rubber Grommet

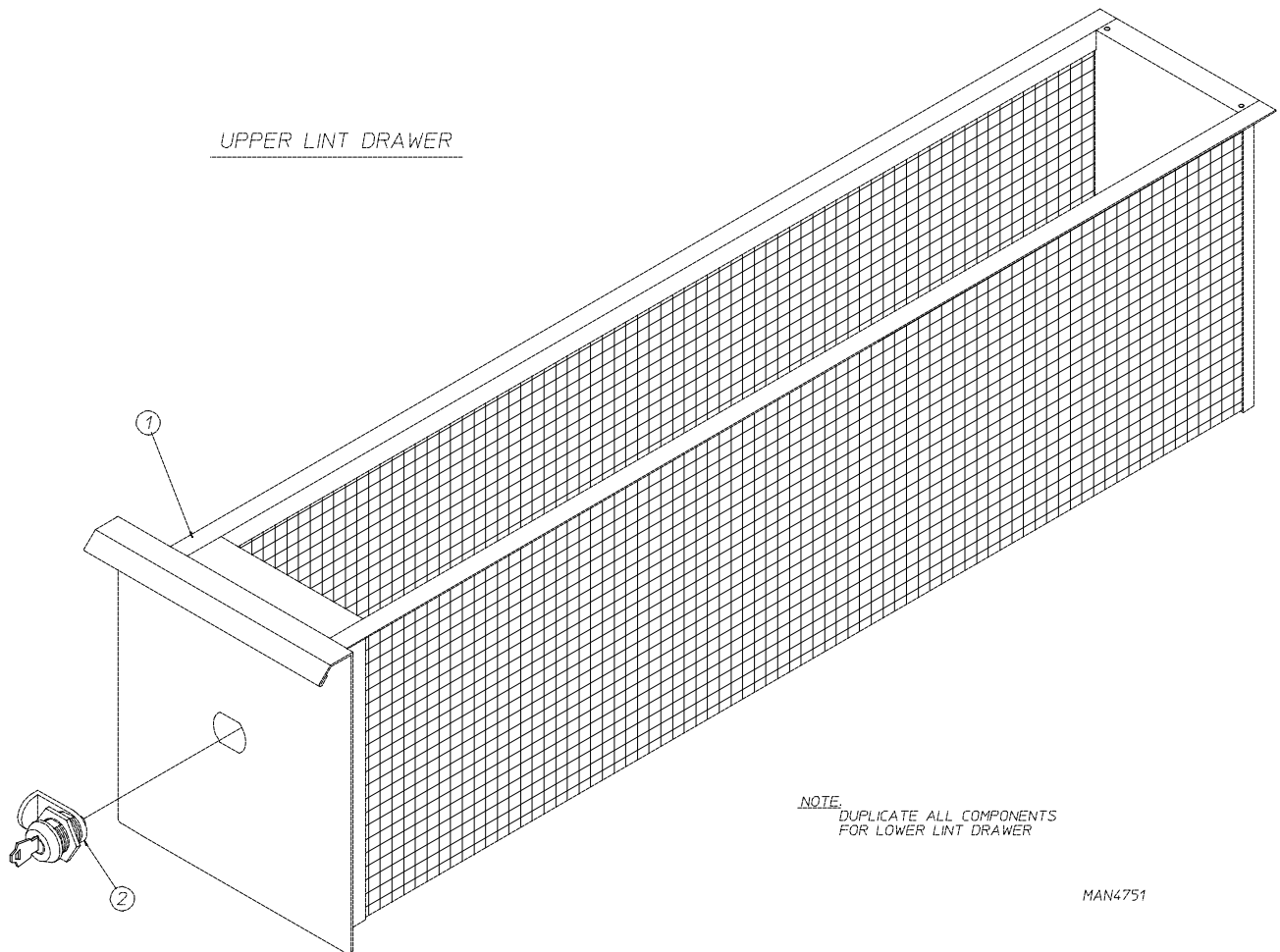


<u>Illus. No.</u>	<u>Part No.</u>	<u>Qty.</u>	<u>Description</u>
1	150006	2	#6-32 x 7/8" Phillips Pan Head Machine Screw
2	152013	2	#6-32 Hex Nut
3	153010	2	#6 Star Washer
4	137005	1	Door Switch ONLY
5	122636	2	Flag Terminal
6	881211	1	Black Main Door Switch Housing
	881153	1	Black Main Door Switch Housing Complete (includes illus. nos. 1 through 4 and 6)
7	150301	2	#8-18 x 7/16" Phillips Pan Head TEK Screw

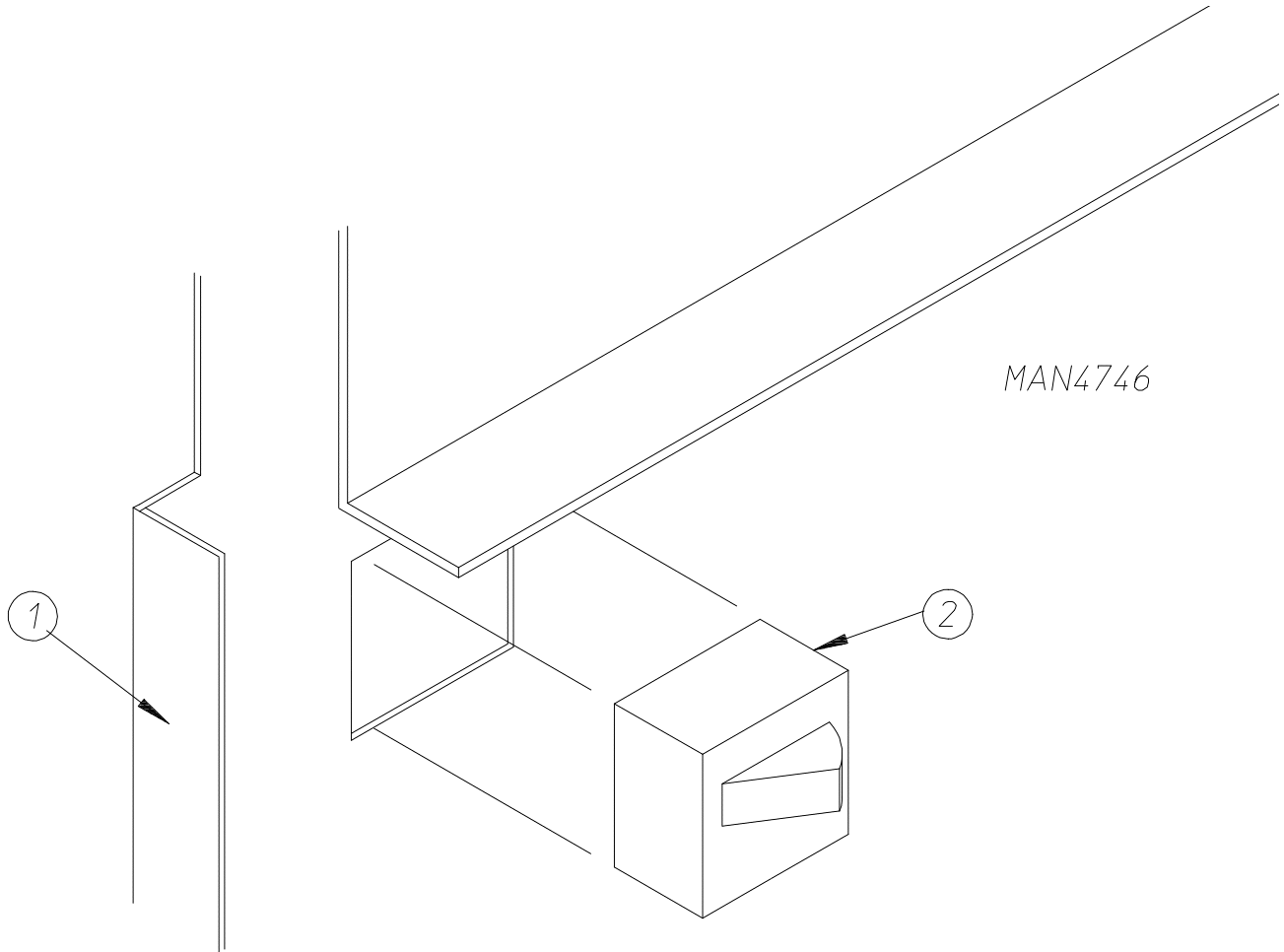


<u>Illus. No.</u>	<u>Part No.</u>	<u>Qty.</u>	<u>Description</u>
1	800831	1	Basket (tumbler) and Support Assembly Complete with Felt Collar (includes illus. nos. 1 through 11)
	800721*	1	Basket (tumbler) ONLY (includes illus. nos. 1, 2, and 6)
	800891	1	Stainless Steel Basket (tumbler) and Support Assembly Complete with Felt Collar (includes illus. nos. 1 through 11)
	800841*	1	Stainless Steel Basket (tumbler) ONLY (includes illus. nos. 1, 2, and 6)
2	301315	2	Short Basket (tumbler) Rib ONLY
	301316	1	Tall Basket (tumbler) Rib ONLY
	301414	2	Stainless Steel Short Basket (tumbler) Rib ONLY
	301415	1	Stainless Steel Tall Basket (tumbler) Rib ONLY
3	150518	1	5/16-18 x 3/8" Socket Button Head Screw
4	100915	3	3/8-16 x 31" Tie Rod
5	153004	3	3/8" Flat Washer
6	154210	30	5/32" x 3/16" Pop Rivet
7	800617	1	Basket (tumbler) Support ONLY
8	152027	3	3/8-16 Hex Nut
9	153005	3	3/8" Lock Washer
10	153004	3	3/8" Flat Washer
11	116003	1	Felt Collar ONLY
	401010	1	#847 Adhesive for Felt Collar (5 oz. tube) – Not Illustrated

* Felt collar is not included and **must be** ordered separately.

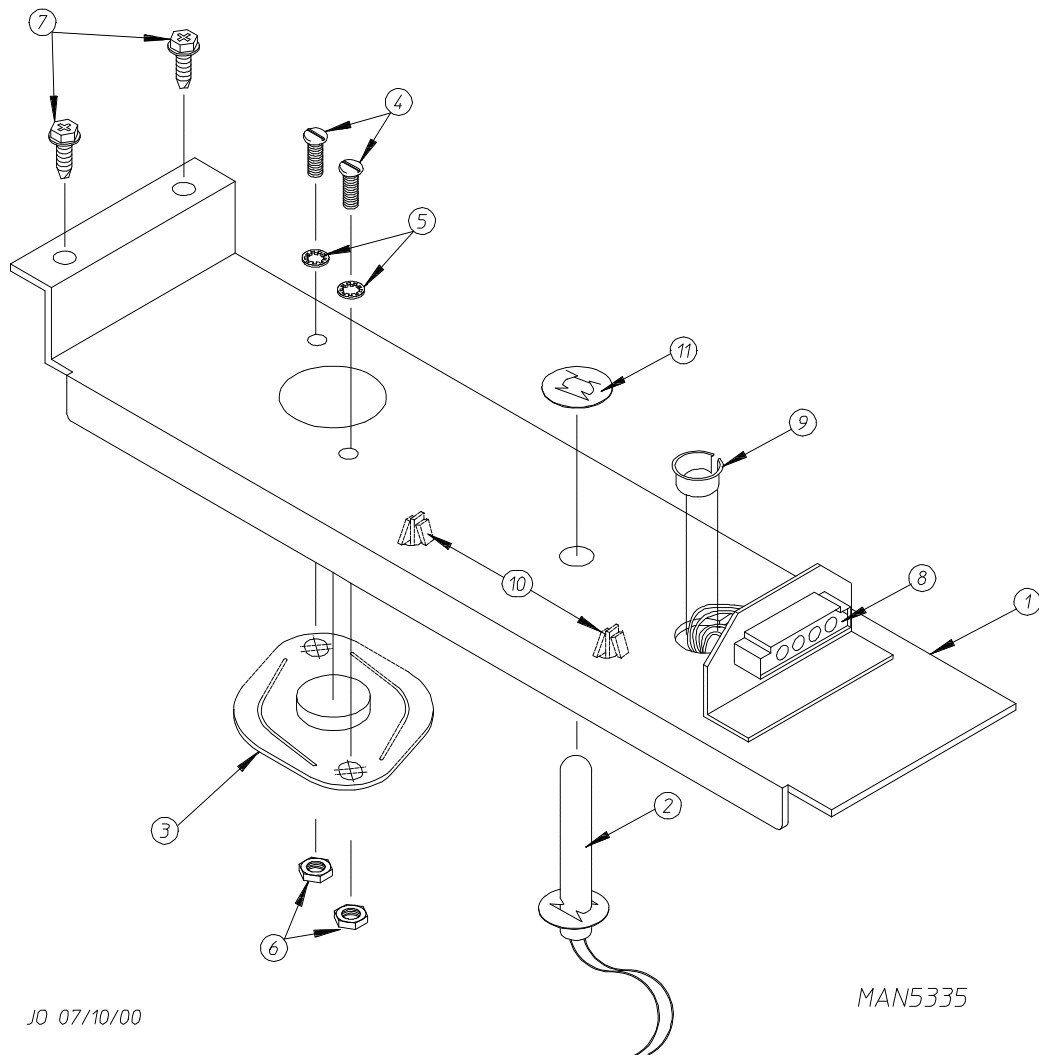


<u>Illus. No.</u>	<u>Part No.</u>	<u>Qty.</u>	<u>Description</u>
1	883995	1	White Locking External Lint Drawer
	882712	1	Almond Locking External Lint Drawer
	883996	1	Blue Locking External Lint Drawer
	883994	1	Ivory Locking External Lint Drawer
	882708	1	White External Lint Drawer
	882709	1	Almond External Lint Drawer
	882710	1	Blue External Lint Drawer
	883472	1	Ivory External Lint Drawer
2	882478	1	Lint Drawer Lock Assembly



<u>Illus. No.</u>	<u>Part No.</u>	<u>Qty.</u>	<u>Description</u>
1	800972	1	Lint Drawer Switch Box (for bottom pocket Only)
2	122002*	1	Lint Drawer Switch
	150301	1	#8-18 x 7/16" Phillips Pan Head TEK Screw – Not Illustrated (for bottom pocket Only)

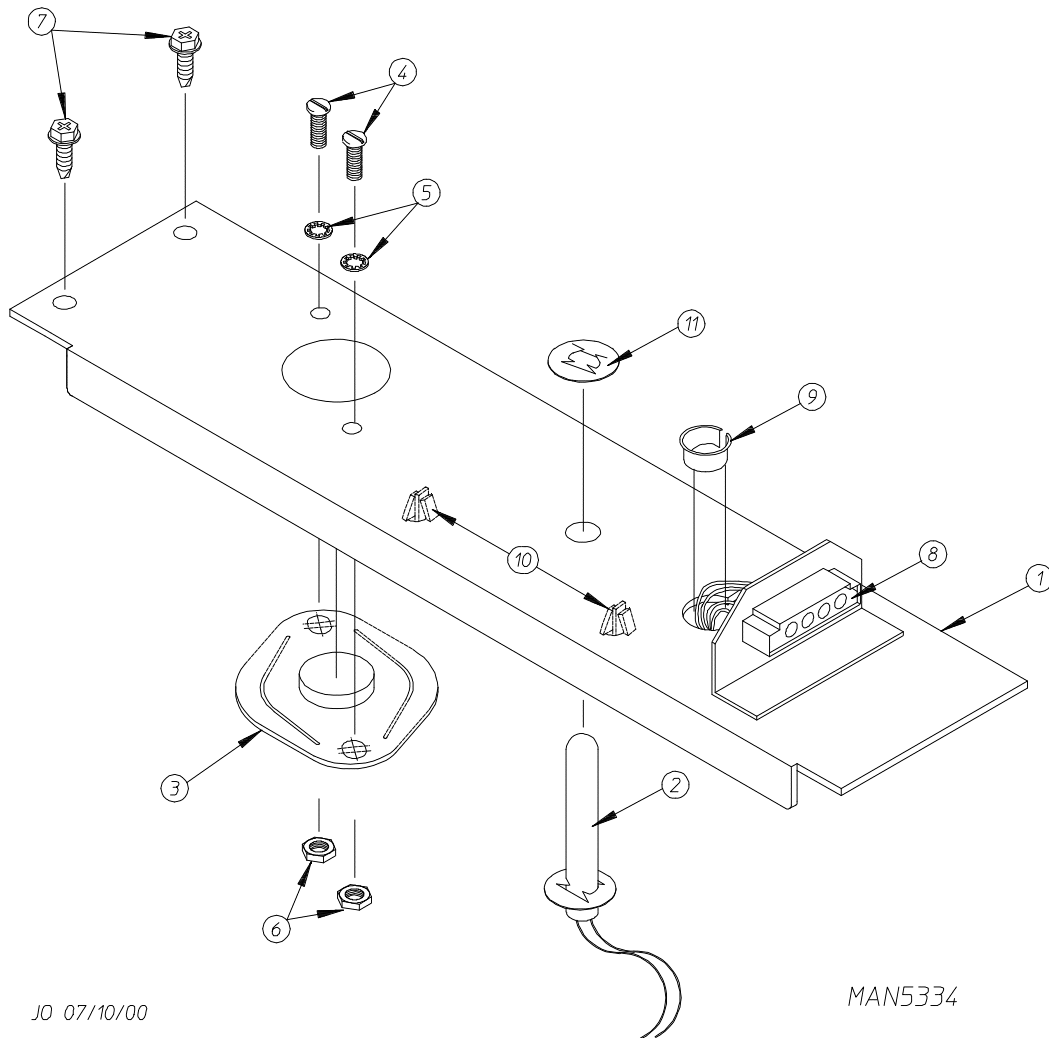
* Duplicate lint drawer switch for upper pocket.



JO 07/10/00

MAN5335

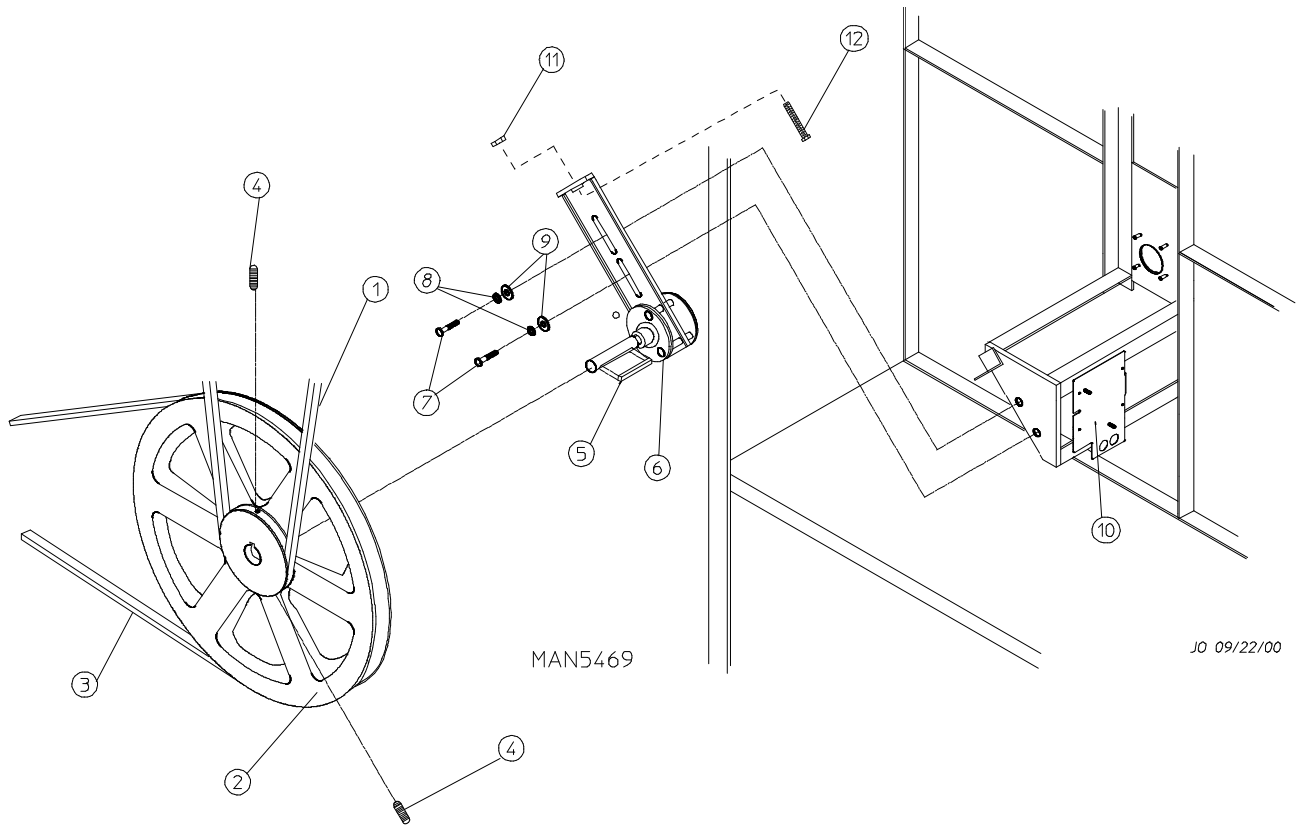
<u>Illus. No.</u>	<u>Part No.</u>	<u>Qty.</u>	<u>Description</u>
1	800769	1	Temperature Sensor Bracket
	882726	1	Temperature Sensor Bracket Complete (includes illus. nos. 1 through 11)
2	882931	1	Temperature Sensor Probe (includes illus. nos. 2, 8, 10, and 11)
3	130112	1	225° Automatic Reset Thermostat
4	150005	2	#6-32 x 1/4" Round Head Machine Screw
5	153010	2	#6 Star Washer
6	152000	2	#6-32 Hex Nut
7	150309	2	#10-16 x 1/2" Hex Head TEK Crimplite Screw
8	122605	1	4-Pin Plug (female)
9	121300	1	Open/Closed Bushing
10	121494	2	3/16" Push Mount Wire Tie
11	154007	2	1/4" Push On Fastener



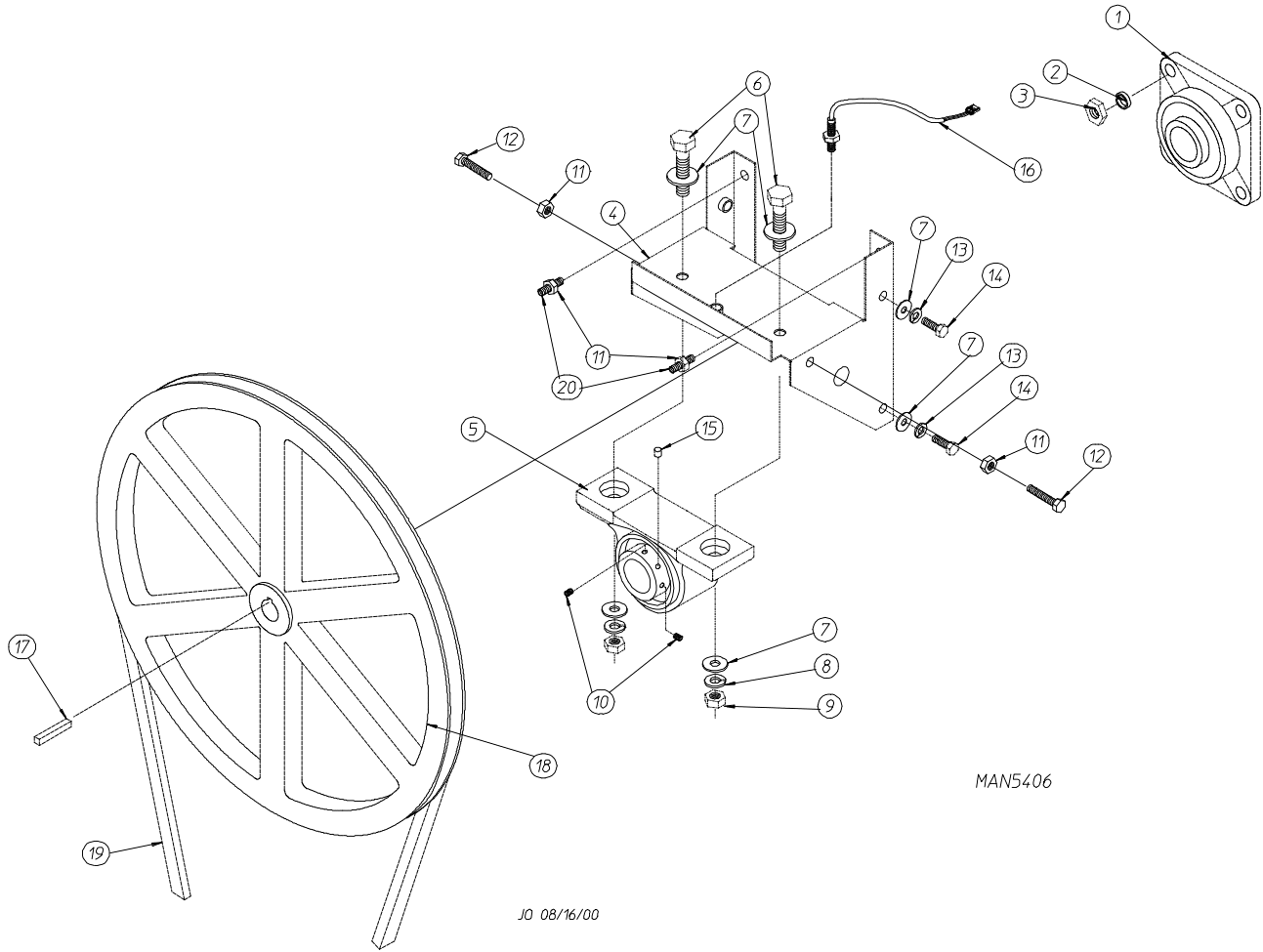
JO 07/10/00

MAN5334

<u>Illus. No.</u>	<u>Part No.</u>	<u>Qty.</u>	<u>Description</u>
1	800770	1	Temperature Sensor Bracket ONLY
	882727	1	Temperature Sensor Bracket Complete (includes illus. nos. 1 through 11)
2	882931	1	Temperature Sensor Probe (includes illus. nos. 2, 8, 10, and 11)
3	130112	1	225° Automatic Reset Thermostat
4	150005	2	#6-32 x 1/4" Round Head Machine Screw
5	153010	2	#6 Star Washer
6	152000	2	#6-32 Hex Nut
7	150309	2	#10-16 x 1/2" Hex Head TEK Crimptite Screw
8	122605	1	4-Pin Connector (female)
9	121300	1	Open/Closed Bushing
10	121494	2	3/16" Push Mount Wire Tie
11	154007	2	1/4" Push On Fastener



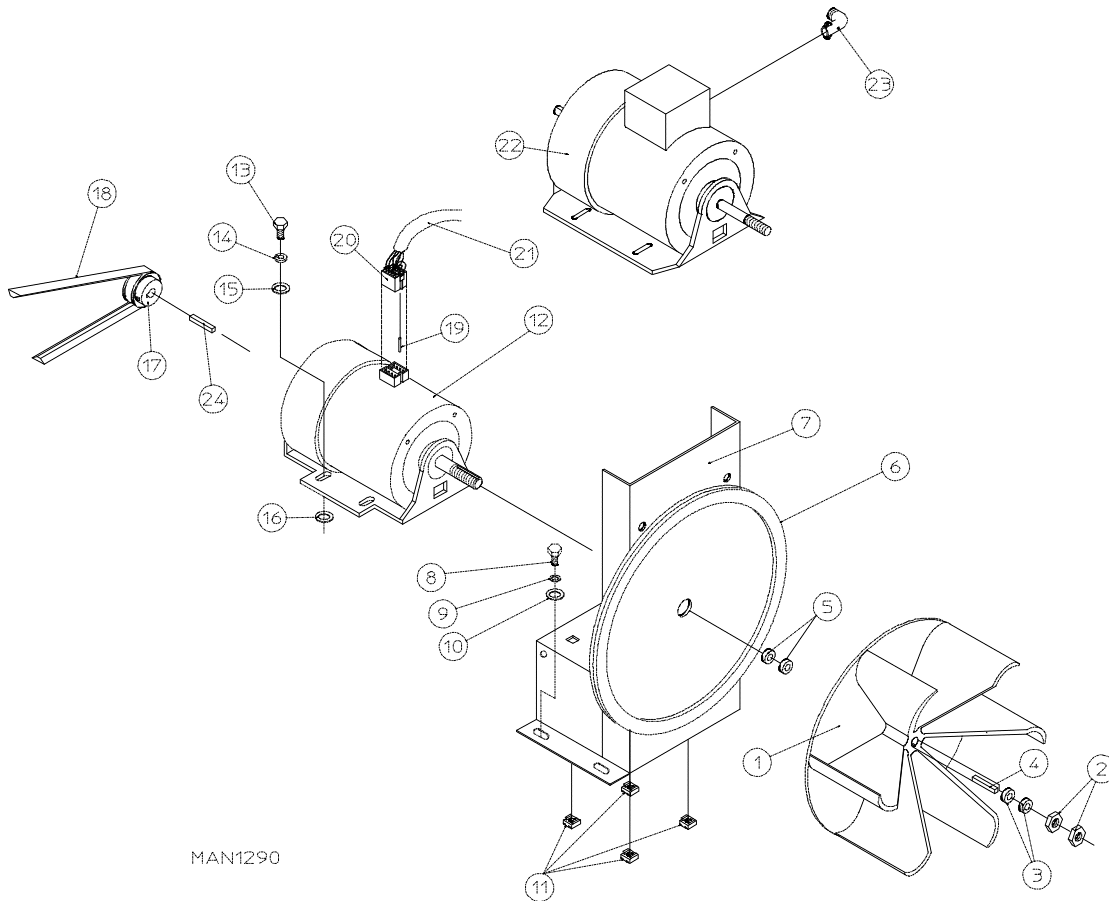
<u>Illus. No.</u>	<u>Part No.</u>	<u>Qty.</u>	<u>Description</u>
1	100111	1	5L-650 V-Belt (to basket [tumbler] pulley)
2	101129	1	9" x 2-1/2" Pulley with 3/16" Key
3	100113	1	4L-400 V-Belt (to motor pulley) for 60 Hz Models ONLY
	100115	1	4L-410 V-Belt (to motor pulley) for 50 Hz Models ONLY
4	154301	2	5/16-18 x 1" Allen Setscrew
5	100705	1	3/16" x 3/16" x 1-3/8" Key
6	882777	1	Idler Bearing Assembly Complete
7	150617	2	3/8-16 x 1" Hex Head Machine Bolt
8	153005	2	3/8" Lock Washer
9	153004	2	3/8" Flat Washer
10	-----	-	Direct Spark Ignition (DSI) Module Mounting Bracket (refer to Direct Spark Ignition [DSI] Gas Valve/Burner Assembly on page 24 and page 25)
11	152004	1	5/16-18 Hex Nut
12	150509	1	5/16-18 x 3" Hex Head Machine Bolt



MAN5406

JO 08/16/00

<u>Illus. No.</u>	<u>Part No.</u>	<u>Qty.</u>	<u>Description</u>
1	880203	1	1-3/8" Flange Bearing
2	153005	4	3/8" Lock Washer
3	152005	4	3/8-16 Hex Nut
4	882544	1	Pillow Block Bearing Assembly Complete (includes illus. nos. 4 through 14 and 20)
	882545	1	Pillow Block Bearing Assembly Complete (for models mfd. with rotational sensor) (includes illus. nos. 4 through 16 and 20)
	882542	1	Pillow Block Bearing Support ONLY
	882543	1	Pillow Block Bearing Support ONLY (for models mfd. with rotational sensor)
5	880202	1	1-3/8" Pillow Block Bearing
	880779	1	1-3/8" Pillow Block Bearing (for models mfd. with rotational sensor)
6	150601	2	3/8-16 x 2" Hex Bolt
7	153004	8	3/8" Flat Washer
8	153005	2	3/8" Lock Washer
9	152005	2	3/8-16 Hex Nut
10	154326	2	5/16-24 x 3/8" Black Setscrew
11	152004	4	5/16-18 Hex Nut
12	150621	2	5/16-18 x 1-1/2" Tap Bolt
13	153002	4	5/16" Lock Washer
14	150501	4	5/16-18 x 3/4" Tap Bolt
15	102120	1	Sintered 8 Magnet (for models mfd. with rotational sensor)
16	824807	1	Rotational Sensor Assembly (for models mfd. with rotational sensor)
17	100713	1	1/4" x 1/4" x 7/8" Key
18	101100	1	18" Pulley
19	100111	1	5L-650 V-Belt (to idler assembly)
20	150610	2	5/16-18 x 1-1/2" Allen Setscrew



MAN1290

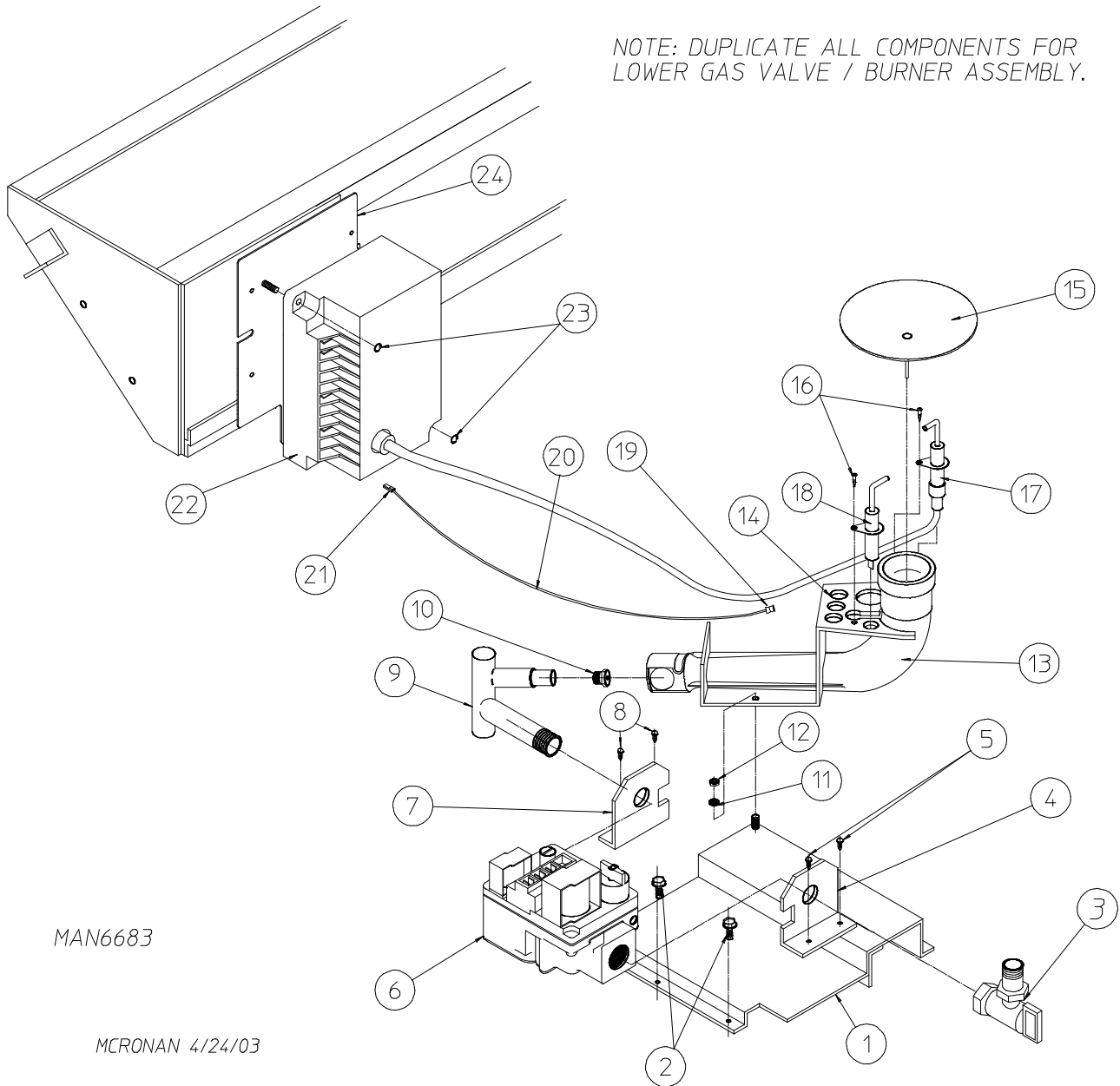
<u>Illus. No.</u>	<u>Part No.</u>	<u>Qty.</u>	<u>Description</u>
1	100604	1	12-1/2" Impellor with 1/2" Bore
2	152006	2	1/2-20 Left Hand Jam Nut
3	153050	*	1/2" S.A.E. Flat Washer
4	100702	1	1/8" x 1/8" x 1-1/2" Key
5	153050	*	1/2" S.A.E. Flat Washer
6	117604	4	Noise Suppression Tape (sold by the foot)
7	800965	1	Motor Mount ONLY
	803967	1	1/2 HP 115-230v 1ø 60 Hz Motor Mount Assembly Complete with Plug Motor (includes illus. nos. 1 through 7 and 11 through 17)
	822526	1	1/2 HP 240v 1ø 50 Hz Totally Enclosed, Fan-Cooled (T.E.F.C.) Motor Mount Assembly Complete with Plug Motor (includes illus. nos. 1 through 7 and 11 through 17)
	803968**	1	1/2 HP 208/230/380/460v 3ø 60 Hz Totally Enclosed, Fan-Cooled (T.E.F.C.) Motor Mount Assembly Complete (includes illus. nos. 1 through 7, 11, 13 through 17, 22, and 23)
	803902**	1	1/2 HP 208/230/380/460v 3ø 50 Hz Totally Enclosed, Fan-Cooled (T.E.F.C.) Motor Mount Assembly Complete (includes illus. nos. 1 through 7, 11, 13 through 17, 22, and 23)

<u>Illus. No.</u>	<u>Part No.</u>	<u>Qty.</u>	<u>Description</u>
8	150501	4	5/16-18 x 3/4" Hex Head Machine Bolt
9	153002	4	5/16" Lock Washer
10	153001	4	5/16" Flat Washer
11	154000	4	5/16-18 Tinnerman Nut
12	181049	1	1/2 HP 100-230v 1 ϕ 50/60 Motor with Plug
	883629	1	1/2 HP 240v 1 ϕ 50 Hz Motor with Plug (for models mfd. prior to August 22, 2002)
13	150501	4	5/16-18 x 3/4" Hex Head Machine Bolt
14	153002	4	5/16" Lock Washer
15	153001	4	5/16" Flat Washer
16	153001	*	5/16" Flat Washer
17	101131	1	1/2" x 2-1/4" Motor Pulley (for use on 1 ϕ , 60 Hz models Only)
	101133	1	5/8" x 2-1/4" Motor Pulley (for use on 3 ϕ , 60 Hz models Only)
	101125	1	1/2" x 2-1/2" Motor Pulley (for use on 1 ϕ , 50 Hz models Only) (for models mfd. as of August 22, 2002)
	101130	1	5/8" x 2-1/2" Motor Pulley (for use on 3 ϕ , 50 Hz models and 1 ϕ , 50 Hz models) (for models mfd. prior to August 22, 2002)
18	100113	1	4L-400 V-Belt (to idler) for 60 Hz Models ONLY
	100115	1	4L-410 V-Belt (to idler) for 50 Hz Models ONLY
19	122701	8	Socket Terminal
20	137030	1	8-Pin Housing
	122801	1	Pin/Socket Extraction Tool – Not Illustrated
21	837005	1	120v 1 ϕ Motor Harness with Plug
	837006	1	230v 1 ϕ Motor Harness with Plug
22	100007**	1	1/2 HP 208/230/380/460v 3 ϕ 50/60 Hz Totally Enclosed, Fan-Cooled (T.E.F.C.) Motor
23	120200	1	3/8" x 90° Connector
24	100701	1	3/16" x 3/16" x 1" Key (for use on 3 ϕ models Only)

* As required.

** Specify voltage when ordering.

NOTE: DUPLICATE ALL COMPONENTS FOR LOWER GAS VALVE / BURNER ASSEMBLY.



MAN6683

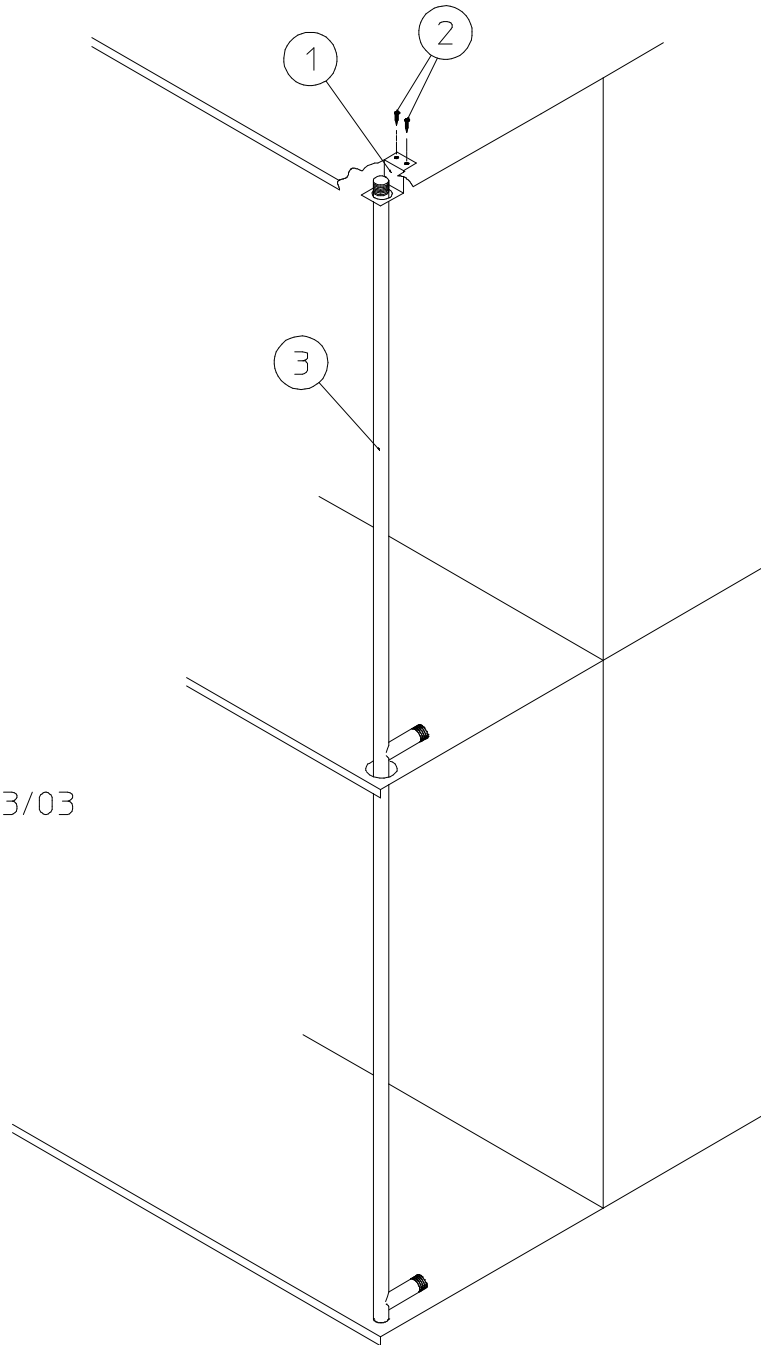
MCRONAN 4/24/03

<u>Illus. No.</u>	<u>Part No.</u>	<u>Qty.</u>	<u>Description</u>
1	824142	1	Gas Valve/Burner Tube Mounting Plate ONLY
	809313*	1	Natural Gas - Gas Valve/Burner Assembly Complete Less Orifice (includes illus. nos. 1 and 3 through 18)
	809314*	1	Liquid Propane (L.P.) Gas Valve/Burner Assembly Complete Less Orifice (includes illus. nos. 1 and 3 through 18)
	882396**	1	Liquid Propane (L.P.) Conversion Kit with Orifice
2	150300	2	#10-16 x 1/2" Hex Washer TEK Screw
3	141317	1	1/2 Union Elbow (for models mfd. as of June 30, 2003)
	881367	1	Union Shutoff with 1/2" Tailpiece (for models mfd. prior to June 30, 2003)
4	318650	1	Notched Pipe Bracket
5	150301	2	#8-18 x 7/16" Phillips Pan Head TEK Screw
6	128927	1	1/2" 24 VAC (natural gas) Gas Valve
	880960	1	1/2" 24 VAC Liquid Propane (L.P.) Gas Valve
7	318650	1	Notched Pipe Bracket
8	150301	2	#8-18 x 7/16" Phillips Pan Head TEK Screw
9	141235	1	1/2" Single Port Manifold
10	140829	1	#18 Burner Orifice (natural gas Only)
	140814	1	#38 Burner Orifice (liquid propane [L.P.] gas Only)
11	153012	1	#8 Steel Burr
12	152001	1	#8-32 Hex Nut
13	141131	1	Up-Shot Burner Tube (includes illus. no. 15)
14	318009	1	Burner Tube Bracket
15	-----***	1	Flame Spreader
16	150315	2	#6 x 3/8" Phillips Pan Head Machine Screw
17	128917	1	Spark Electrode with High Voltage (HV) Wire
	305412	1	Direct Spark Ignition (DSI) Ignitor Gap Feeler Gauge – Not Illustrated
18	128918	1	Flame Sensor Probe
19	121028	1	1/4" Insulated Terminal
20	132607	2	#18 Gauge Red Silicone Wire (sold by the foot)
21	121028	1	1/4" x 0.032 Insulated Terminal
22	128935	1	Direct Spark Ignition (DSI) Module with Three (3) Tries (for models mfd. as of April 14, 2000)
	882627	1	Direct Spark Ignition (DSI) Module Conversion Kit (for models mfd. prior to April 14, 2000)
23	152013	2	#6-32 Hex Nut
24	824131	1	Direct Spark Ignition (DSI) Module Mounting Bracket

* Burner orifice *is not included* and **must be** ordered separately.

** Consult factory for elevations over 2,000 feet.

*** Not sold separately.

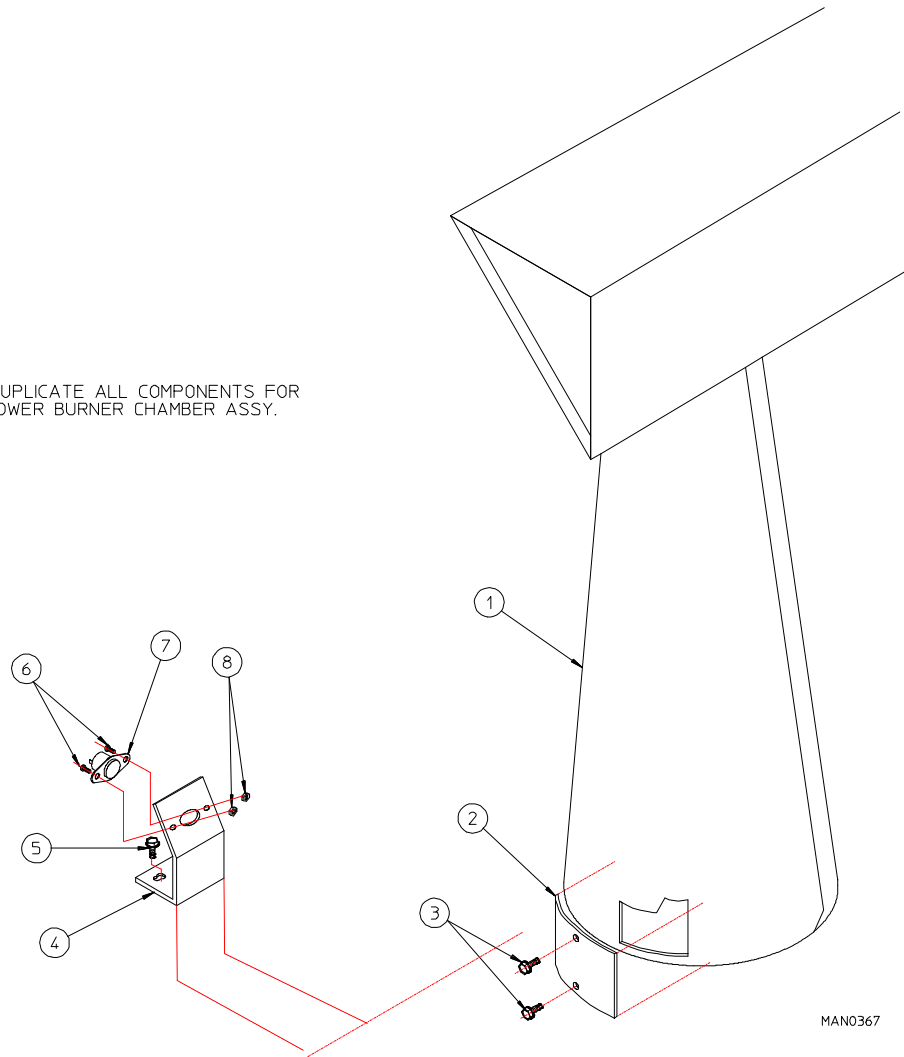


MAN6922
JCARRITA 9/23/03

<u>Illus. No.</u>	<u>Part No.</u>	<u>Qty.</u>	<u>Description</u>
1	318702	1	Top Pipe Support Bracket ONLY
2	150300	2	#10-16 x 1/2" Hex Washer TEK Screw
3	141236	1	Gas Piping Manifold

UPPER BURNER CHAMBER ASSY

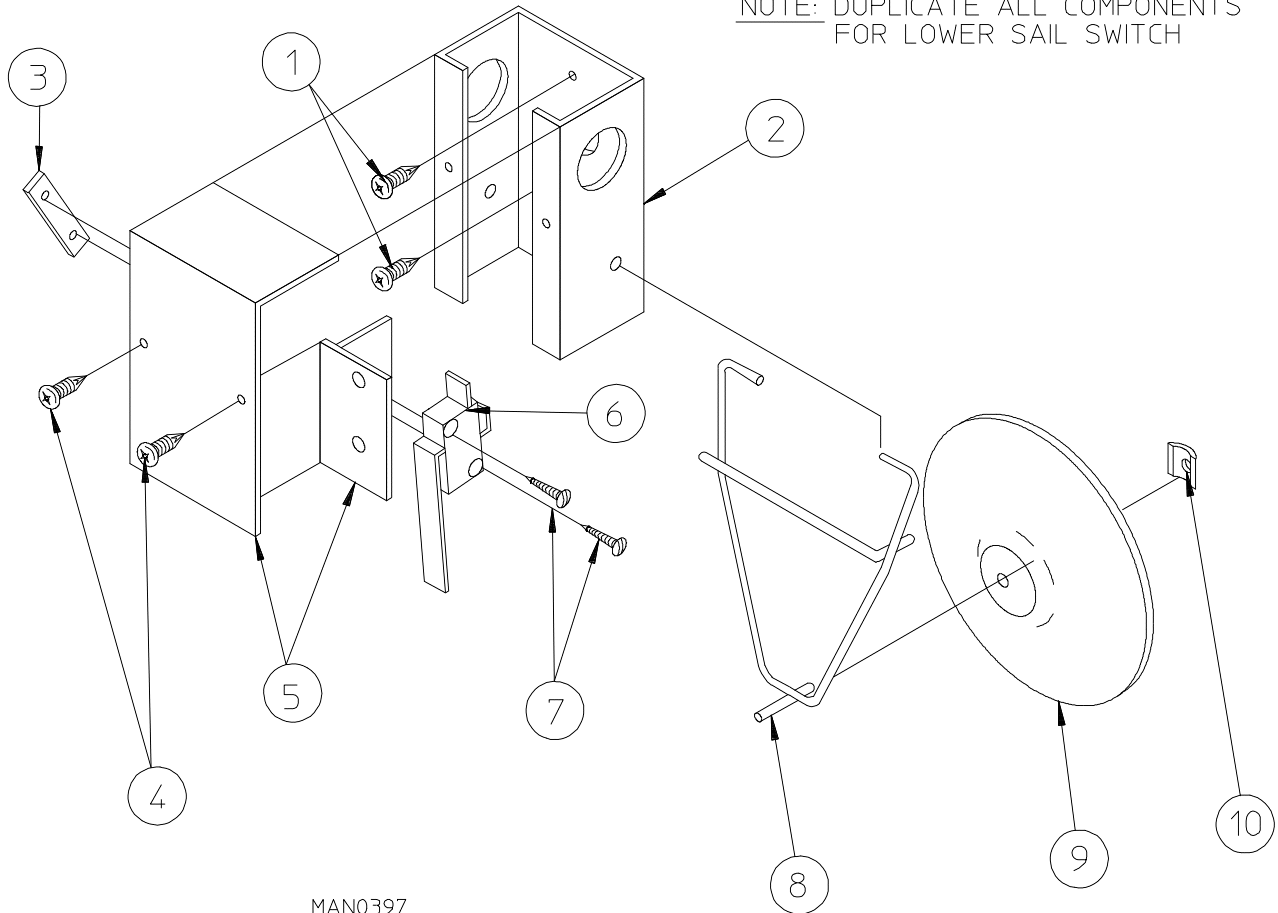
NOTE: DUPLICATE ALL COMPONENTS FOR LOWER BURNER CHAMBER ASSY.



MAN0367

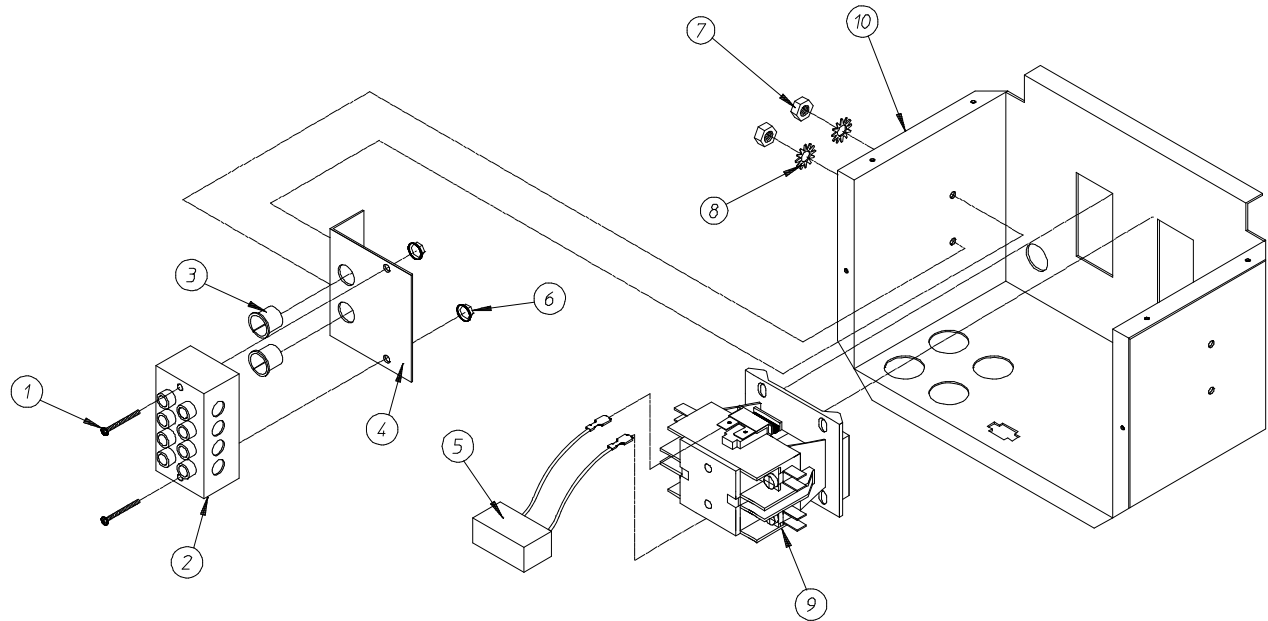
<u>Illus. No.</u>	<u>Part No.</u>	<u>Qty.</u>	<u>Description</u>
1	800526	1	Gas Burner Chamber Assembly (includes illus. nos. 1 through 3)
2	318006	1	Flame Viewing Plate
3	150300	2	#10-16 x 1/2" Hex Washer TEK Screw
4	802502	1	Hi-Limit Bracket Assembly (includes illus. nos. 4 through 8)
	319710	1	Hi-Limit Bracket ONLY
5	150301	2	#8-18 x 7/16" Phillips Pan Head TEK Screw
6	150001	2	#6-32 x 1/2" Right Hand Machine Screw
7	130301	1	225° Hi-Limit Thermostat
8	151000	2	#6-32 Pal Nut

UPPER SAIL SWITCH



MAN0397

<u>Illus. No.</u>	<u>Part No.</u>	<u>Qty.</u>	<u>Description</u>
1	150301	2	#8-18 x 7/16" Phillips Pan Head TEK Screw
2	802800	1	Sail Switch Box with Cover and Bracket (includes illus. nos. 2, 4, and 5)
3	154004	1	Twin Speed Nut
4	150300	2	#10-16 x 1/2" Hex Head TEK Screw
5	802799	1	Sail Switch Box Cover and Bracket ONLY
6	122200	1	Sail Switch
7	150303	2	#4 x 3/4" Pan Head Machine Screw
8	105500	1	Sail Switch Actuator Rod
9	319202	1	Sail Switch Damper
10	154002	1	1/8" Push On Fastener

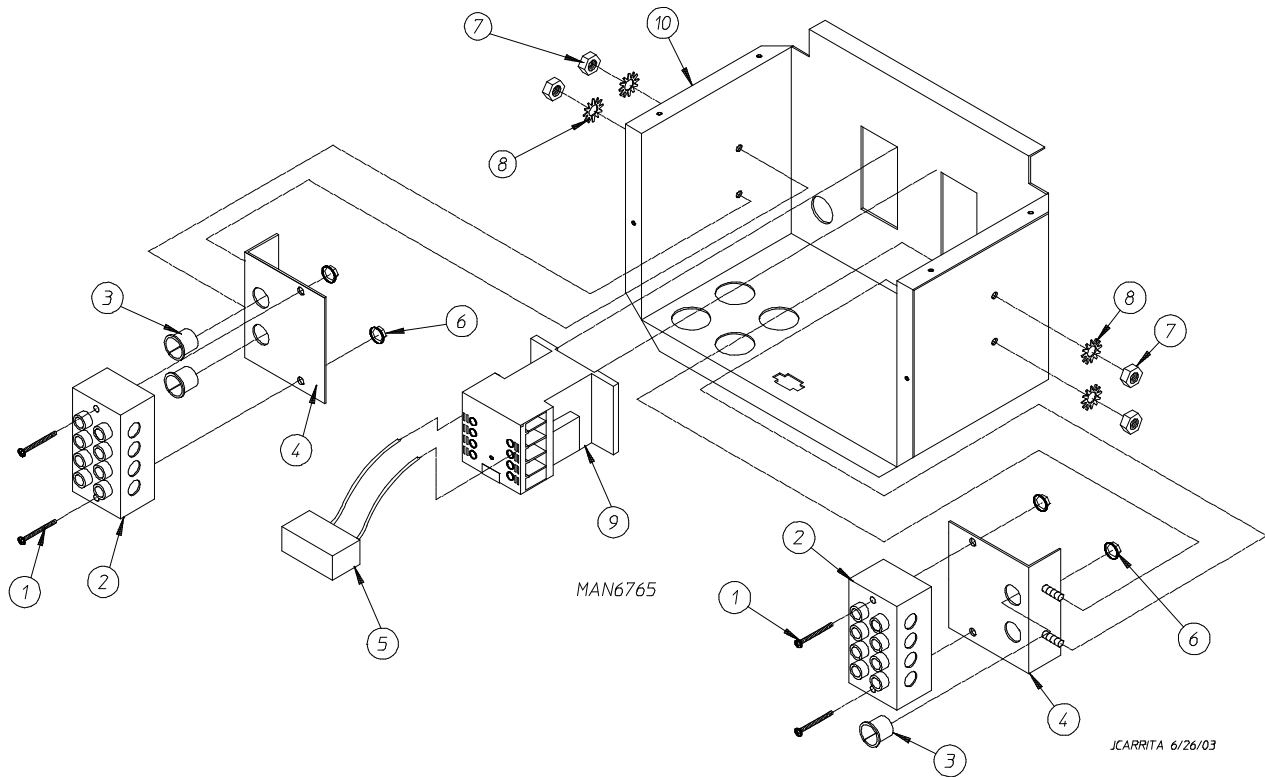


MAN6956

JCARRITA 10/14/03

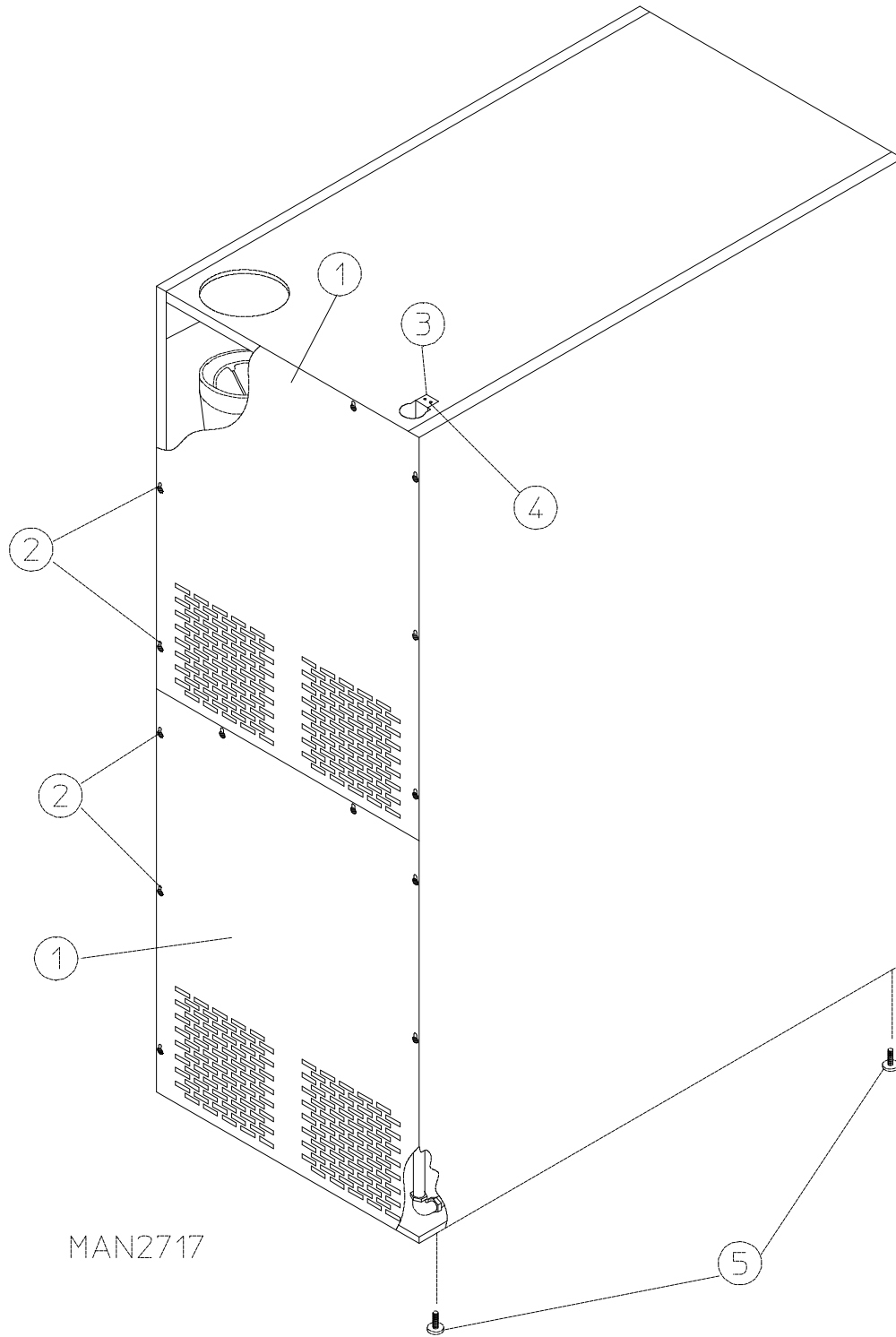
<u>Illus. No.</u>	<u>Part No.</u>	<u>Qty.</u>	<u>Description</u>
1	150009*	2	#6-32 x 1-1/2" Phillips Machine Screw
2	120701*	1	Power Block
3	121300*	2	Open/Closed Bushing
4	353142*	1	Power Block Mounting Bracket
5	824828	1	Arc Suppressor (A.S.) Capacitor
6	151000*	2	#6-32 Pal Nut
7	152001*	2	#8-32 Hex Nut
8	153012*	2	#8 Star Washer
9	132475	1	24 VAC Motor Contactor
10	826324	1	Top Rear Electric Box Assembly Complete (115V)
	826347	1	Bottom Rear Electric Box Assembly Complete (115V)
	826422	1	Top Rear Electric Box Assembly Complete (208-240V)
	826421	1	Bottom Rear Electric Box Assembly Complete (208-240V)
	850474	1	Rear Electric Box ONLY

* Parts for top pocket electric box only.

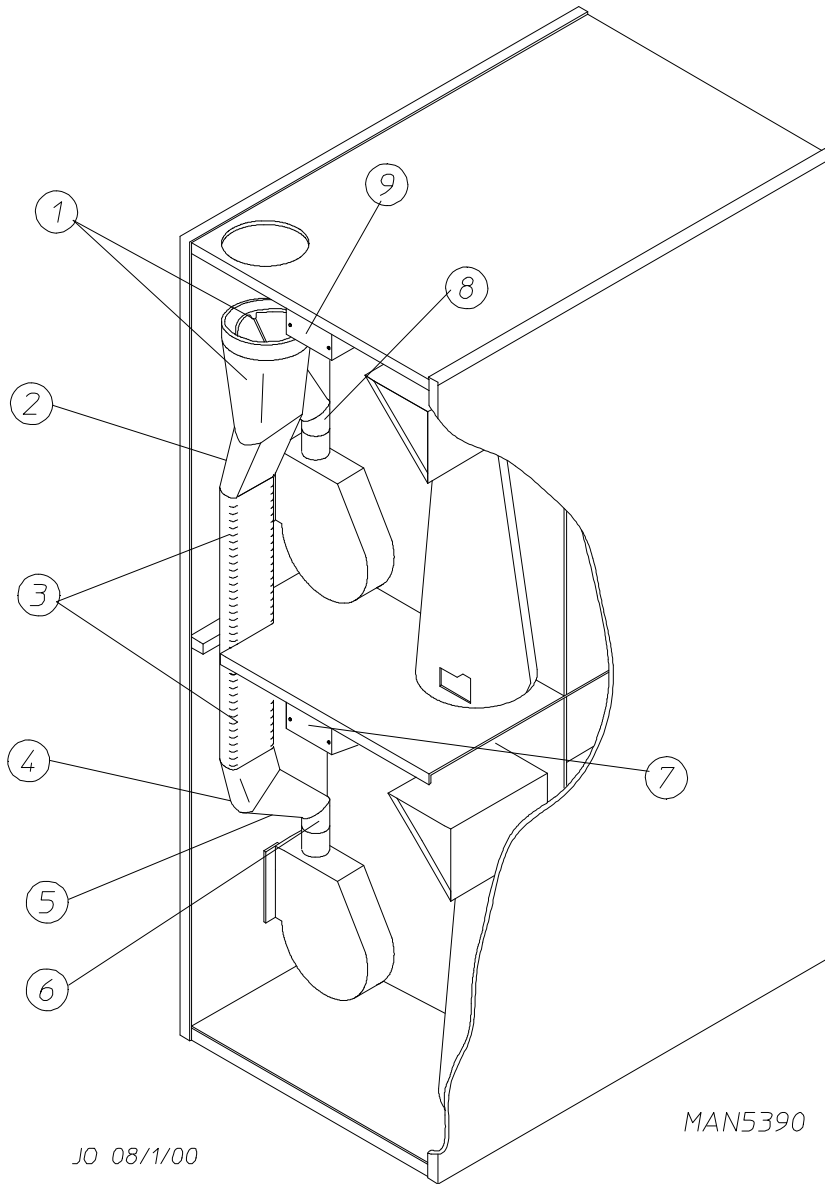


<u>Illus. No.</u>	<u>Part No.</u>	<u>Qty.</u>	<u>Description</u>
1	150009*	4	#6-32 x 1-1/2" Phillips Machine Screw
2	120701*	2	Power Block
3	121300*	3	Open/Closed Bushing
4	353142*	2	Power Block Mounting Bracket
5	137015	1	Arc Suppressor (A.S.) Capacitor ONLY
6	151000*	4	#6-32 Pal Nut
7	152001*	4	#8-32 Hex Nut
8	153012*	4	#8 Star Washer
9	132447	1	24 VAC Motor Contactor
10	826340	1	Top Rear Electric Box Assembly Complete
	826348	1	Bottom Rear Electric Box Assembly Complete
	850474	1	Rear Electric Box ONLY

* Parts for top pocket electric box only.



<u>Illus. No.</u>	<u>Part No.</u>	<u>Qty.</u>	<u>Description</u>
1	311014	2	Upper/Lower Back Guard Assembly
2	150301	16	#8-18 x 7/16" Phillips Pan Head TEK Screw
3	318702	1	Top Pipe Support Bracket ONLY
4	150300	2	#10-16 x 1/2" Hex Washer TEK Screw
5	103500	4	Adjustable Leveling Leg



<u>Illus. No.</u>	<u>Part No.</u>	<u>Qty.</u>	<u>Description</u>
1	880505	1	Wye Branch Damper Assembly
2	143527	1	6" Round x 7" Oval Straight Boot
3	143539	1	15-1/2" Long x 7" Oval Duct
4	143537	1	7" Oval x 45° Elbow
5	143538	1	6" Round x 7" Oval Straight Boot
6	143536	2	6" Round x 45° Elbow
7	315062	1	Rear Wiring Box Cover ONLY
	150300	2	#10-16 x 1/2" Hex Washer TEK Screw – Not Illustrated
8	143536	2	6" Round x 45° Elbow
9	315062	1	Rear Wiring Box Cover ONLY
	150300	2	#10-16 x 1/2" Hex Washer TEK Screw – Not Illustrated
	117505	*	Aluminum Duct Tape (sold by the foot) – Not Illustrated

* As required.

<u>Part No.</u>	<u>Description</u>
114533	“Black/White/Green Ground” Label
112280	“Clean Lint Screen” Label
112533	“Phase 5 Coin Program Location Summary” Label
114001	“Caution - Exhaust/Lint Screen” Label
114006	“Warning - Fire Hazards” Label
120100	3/8” Straight (BX) Connector
120300	3/8” x 45° (BX) Connector
120400	3/8” Red Jacket (BX) Insulator
120500	3/8” Jiffy Clip (BX Retainer Clip)
120600	3/8” Greenfield (BX)
120800	1/4” In-Line Connector
120802	Red Butt Connector
120902	#74B Wire Nut
120903	Crimp-On Wire Nut
121006	#10 Insulated Ring Terminal
121014	1/4” Insulated (female) Terminal
121499	5-1/2” Harness Tie
121500	8” Harness Tie
121503	Harness Tie Mounting Clip
122804	Manometer (water column test gauge)
170194	Basket (tumbler) Lint Cleaning Brush
404502	White Brush-In-Cap Bottle Touch-Up Paint
404506	Almond “B” Brush-In-Cap Bottle Touch-Up Paint
404507	Cornflower Blue Brush-In-Cap Bottle Touch-Up Paint
404516	Ivory Brush-In-Cap Bottle Touch-Up Paint

