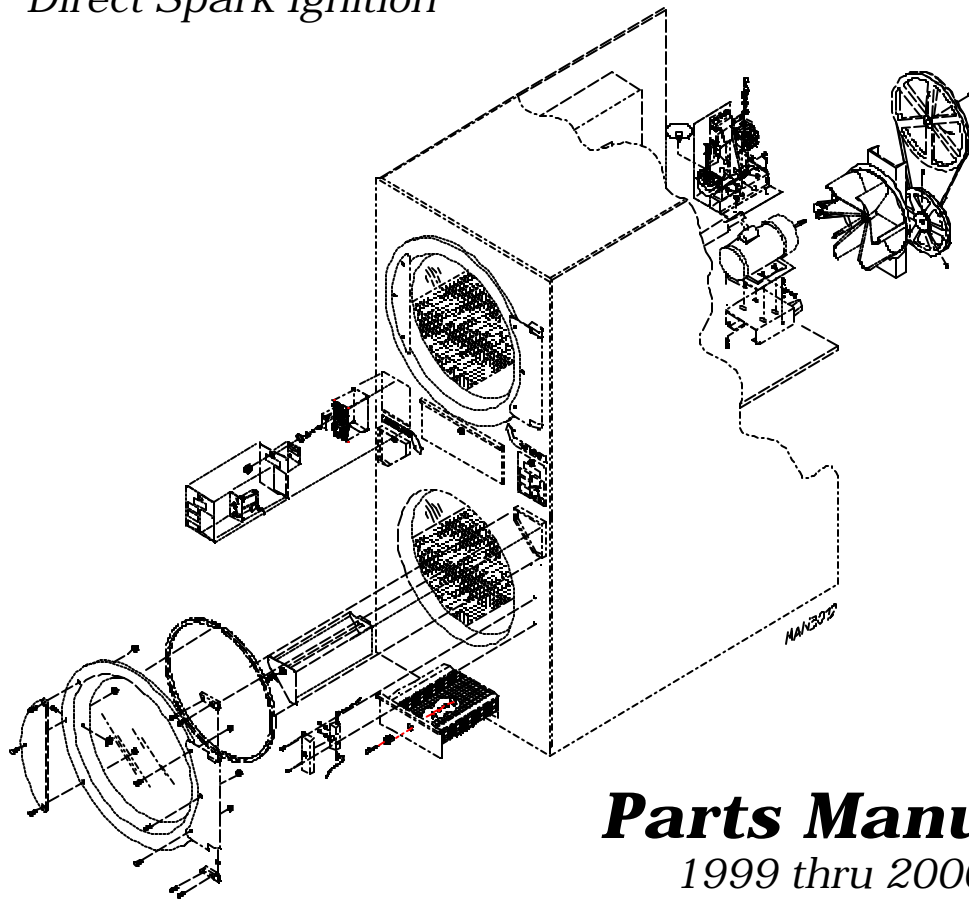




ADG-530DSi II/WDA-530DSi II

Direct Spark Ignition



Parts Manual *1999 thru 2000*

American Dryer Corporation
88 Currant Road
Fall River, MA 02720-4781
Telephone: (508) 678-9000 / Fax: (508) 678-9447
E-mail: techsupport@amdry.com

Retain This Manual In A Safe Place For Future Reference

American Dryer Corporation products embody advanced concepts in engineering, design, and safety. If this product is properly maintained, it will provide many years of safe, efficient, and trouble-free operation.

ONLY qualified technicians should service this equipment.

OBSERVE ALL SAFETY PRECAUTIONS displayed on the equipment or specified in the installation manual included with the dryer.

The following “**FOR YOUR SAFETY**” caution **must be** posted near the dryer in a prominent location.

FOR YOUR SAFETY

Do not store or use gasoline or other flammable vapors and liquids in the vicinity of this or any other appliance.

POUR VOTRE SÉCURITÉ

Ne pas entreposer ni utiliser d'essence ni d'autres vapeurs ou liquides inflammables à proximité de cet appareil ou de tout autre appareil.

We have tried to make this manual as complete as possible and hope you will find it useful. **ADC** reserves the right to make changes from time to time, without notice or obligation, in prices, specifications, colors, and material, and to change or discontinue models.

Important

For your convenience, log the following information:

DATE OF PURCHASE _____ **MODEL NO.** _____

RESELLER'S NAME _____

Serial Number(s) _____

Replacement parts can be obtained from your reseller or the **ADC** factory. When ordering replacement parts from the factory, you can FAX your order to **ADC** at (508) 678-9447 or telephone your order directly to the **ADC** Parts Department at (508) 678-9000. Please specify the dryer **model number** and **serial number** in addition to the **description** and **part number**, so that your order is processed accurately and promptly.

The illustrations on the following pages may not depict your particular dryer exactly. The illustrations are a composite of the various dryer models. Be sure to check the descriptions of the parts thoroughly before ordering.

“IMPORTANT NOTE TO PURCHASER”

Information **must be** obtained from your local gas supplier on the instructions to be followed if the user smells gas. These instructions **must be** posted in a prominent location near the dryer.

Quick Reference Diagram

For Detailed Information See the Table of Contents on Next Page.

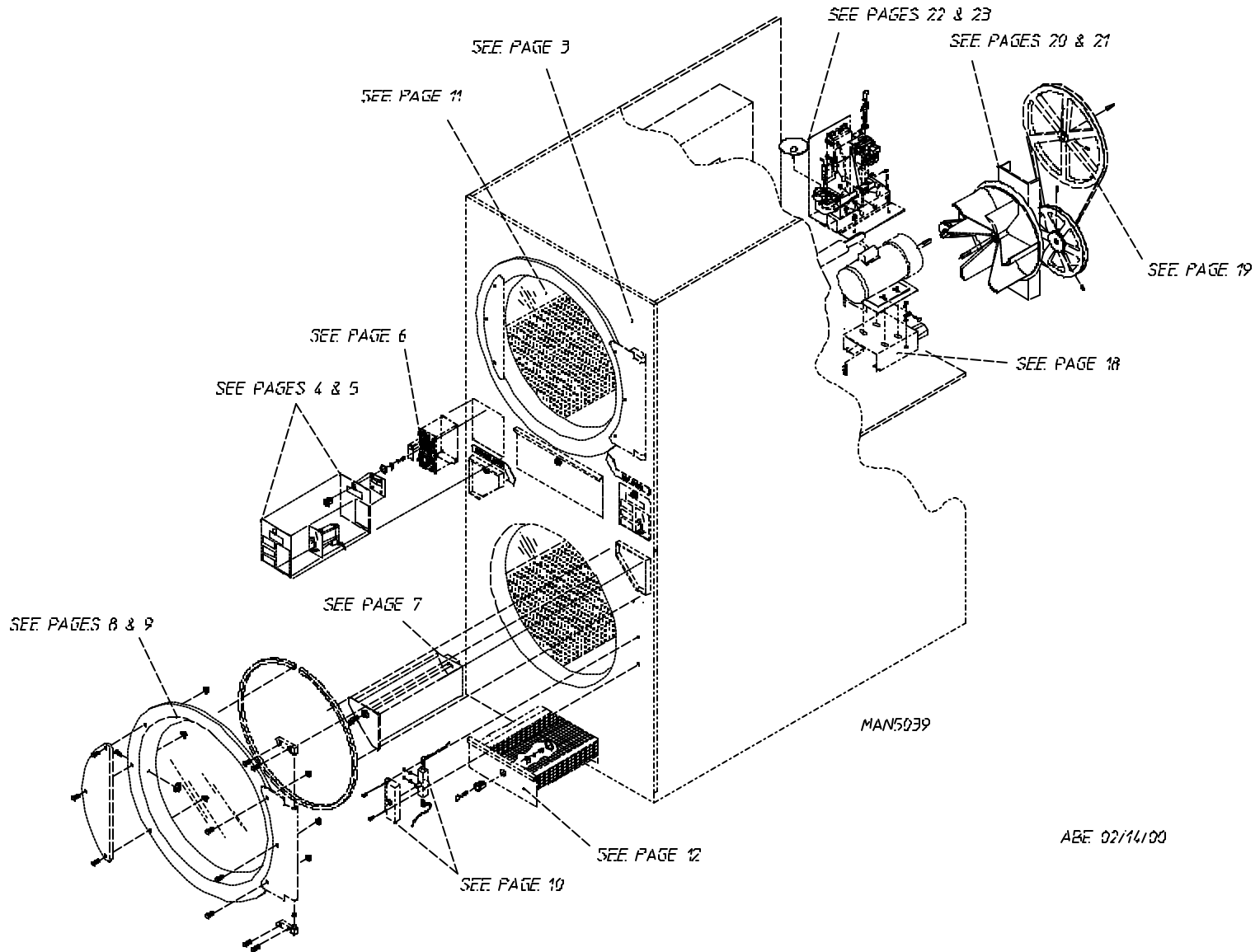
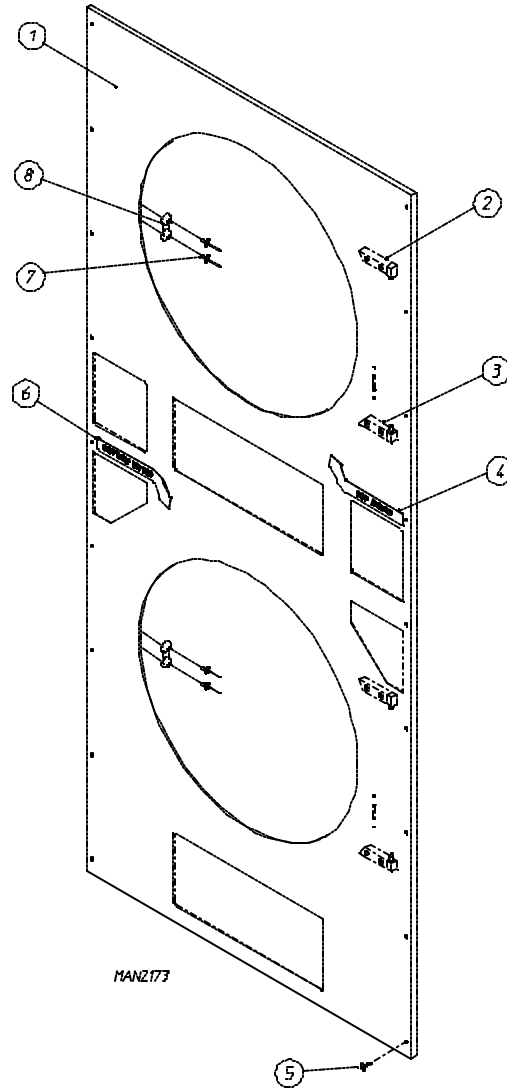


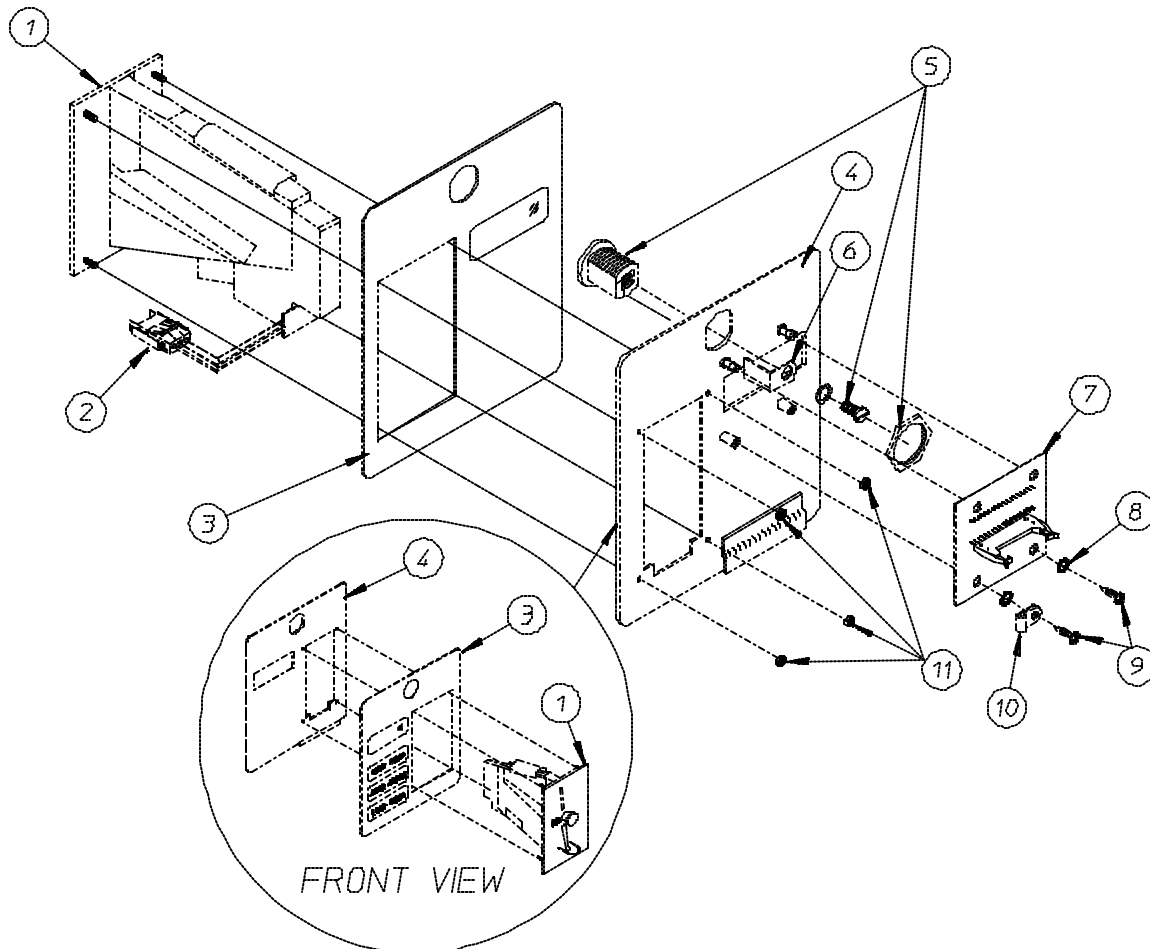
Table of Contents

Front Panel Assembly	3
Left Coin Panel Assembly	4
Right Coin Panel Assembly	5
2-Piece Microprocessor (Computer) Panel/Coin Chute Assemblies	6
Coin Box/Coin Vault Assemblies (Left and Right)	7
Main Door “Steel” Assembly	8, 9
Main Door Switch Assembly	10
Basket (Tumbler)/Support Assemblies	11
Lint Drawer/Basket Assembly	12
Lint Drawer Switch Box Assembly	13
Microprocessor Temperature Sensor Bracket Assembly	14
Basket (Tumbler) Bearing Mount Assembly	15
Rear Electrical Panel Assembly	16, 17
Drive Motor/Motor Mount Assemblies	
For 60 Hz Models	18
Drive/Idler Belts and Pulleys	
For 60 Hz Models	19
Impellor (Fan)/Idler Bearing Assemblies	
For 60 Hz Models	20, 21
Burner Train Assembly without Shut Off Valve	
For Models Mfd. as of February 29, 2000	22, 23
Burner Train Assembly	
For Models Mfd. prior to February 29, 2000	24, 25
Burner Hi-Limit/Hood Assemblies	26
Sail Switch Assembly	27
Rear Back Guard Assemblies	28
Exhaust Duct Assembly	29
Additional Parts Available	30



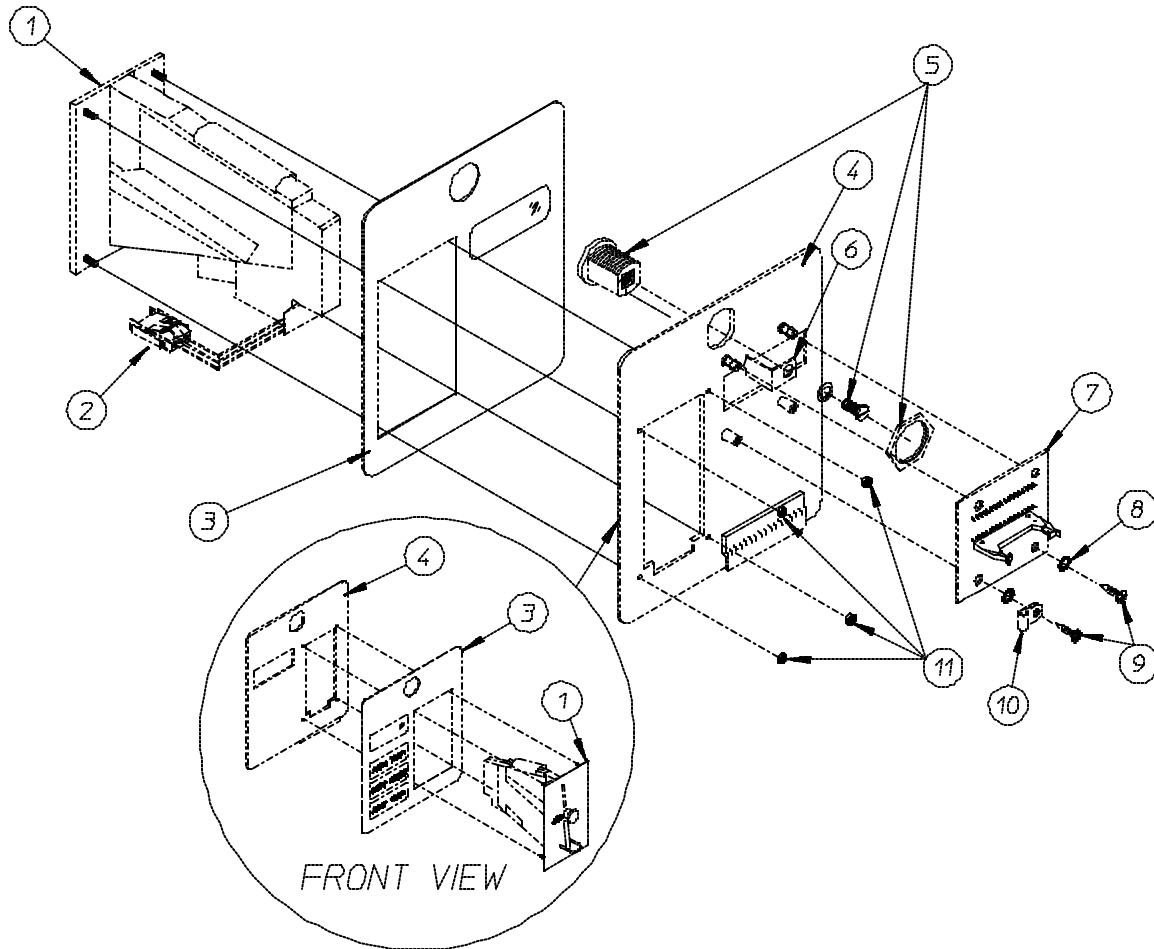
<u>Illus. No.</u>	<u>Part No.</u>	<u>Qty.</u>	<u>Description</u>
1	881471*	1	Right Hand Textured Front Panel Assembly (includes illus. nos. 1, 7, and 8)
	881472	1	Right Hand Stainless Steel Front Panel Assembly (includes illus. nos. 1, 7, and 8)
	881473*	1	Right Hand Front Panel Assembly (includes illus. nos. 1, 7, and 8)
2	-----	1	Top Hinge Block Assembly (refer to Main Door "Steel" Assembly on page 8 and page 9)
3	-----	1	Bottom Hinge Block Assembly (refer to Main Door "Steel" Assembly on page 8 and page 9)
4	112227	1	Top Arrow Label (Red)
5	150309	24	#10-16 x 1/2" Hex Head TEK Crimptite Screw
6	112226	1	Bottom Arrow Label (Blue)
7	154215	4	5/32" Pop Rivet
8	170330	2	Friction Door Catch

* Specify color when ordering.



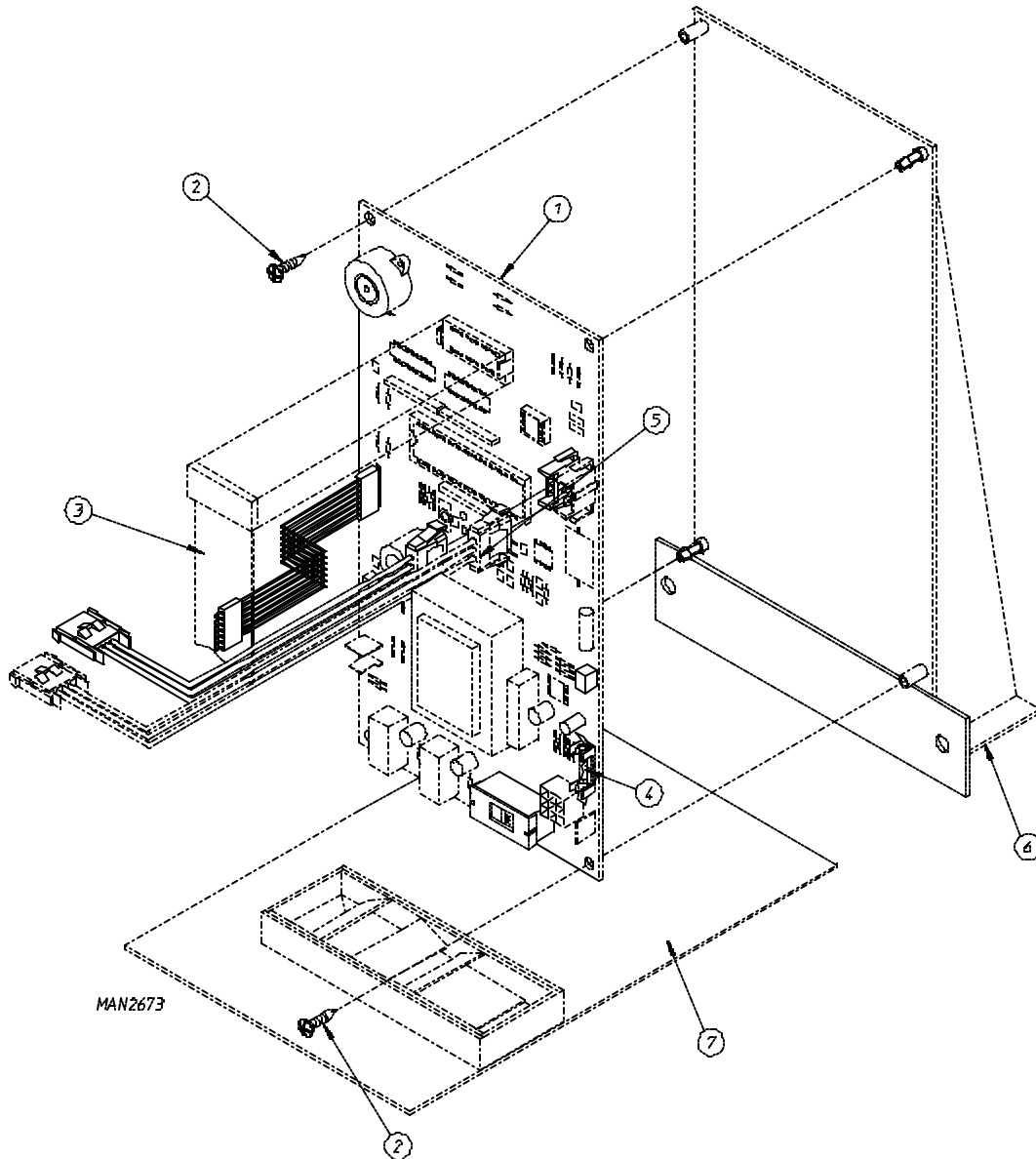
MAN2267

<u>Illus. No.</u>	<u>Part No.</u>	<u>Qty.</u>	<u>Description</u>
1	881163	1	25¢ U.S. Hanke Coin Acceptor Assembly with Optic Switch
	881450	1	25¢ Canadian Hanke Coin Acceptor with Optic Switch
	881451	1	.880 Token Hanke Coin Acceptor with Optic Switch
2	881143	1	Hanke Optic Switch with Connector
3	112564	1	Left Keypad (Blue)
4	881160	1	Coin Panel ONLY
	881161	1	Left Coin Panel with Label (includes illus. nos. 3, 4, 8, and 9)
5	160029	1	Lock (keyed NO530) ONLY with Key
	160129	1	NO530 Key ONLY
6	160028	1	Lock Cam ONLY
	137098	1	Display Board
7	137104	1	Display Board Ribbon Cable Assembly...Not Illustrated
	153010	2	#6 Star Washer
8	153010	2	#6 Star Washer
9	150005	2	#6-32 x 1/4" Phillips Round Head Machine Screw
10	120906	1	1/8" Wire Clip
11	152102	4	M3 Metric Hex Nut

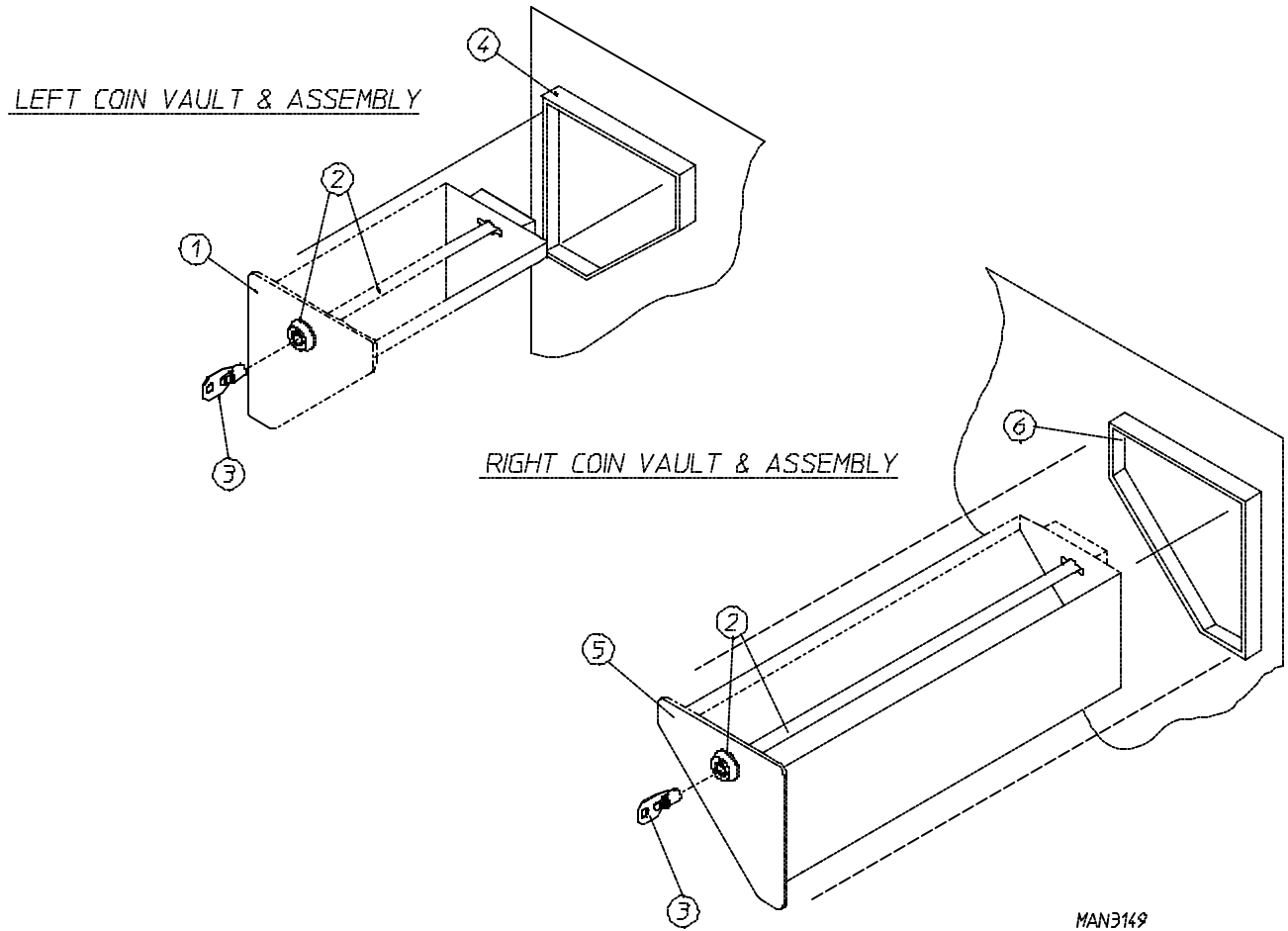


MAN2267

<u>Illus. No.</u>	<u>Part No.</u>	<u>Qty.</u>	<u>Description</u>
1	881163	1	25¢ U.S. Hanke Coin Acceptor Assembly with Optic Switch
	881450	1	25¢ Canadian Hanke Coin Acceptor with Optic Switch
	881451	1	.880 Token Hanke Coin Acceptor with Optic Switch
2	881143	1	Hanke Optic Switch with Connector
3	112565	1	Right Keypad (Red)
4	881160	1	Coin Panel ONLY
	881162	1	Right Coin Panel with Label (includes illus. nos. 3, 4, 8, and 9)
5	160029	1	Lock (keyed NO530) ONLY with Key
	160129	1	NO530 Key ONLY
6	160028	1	Lock Cam ONLY
7	137098	1	Display Board
	137104	1	Display Board Ribbon Cable Assembly...Not Illustrated
8	153010	2	#6 Star Washer
9	150005	2	#6-32 x 1/4" Phillips Round Head Machine Screw
10	120906	1	1/8" Wire Clip
11	152102	4	M3 Metric Hex Nut



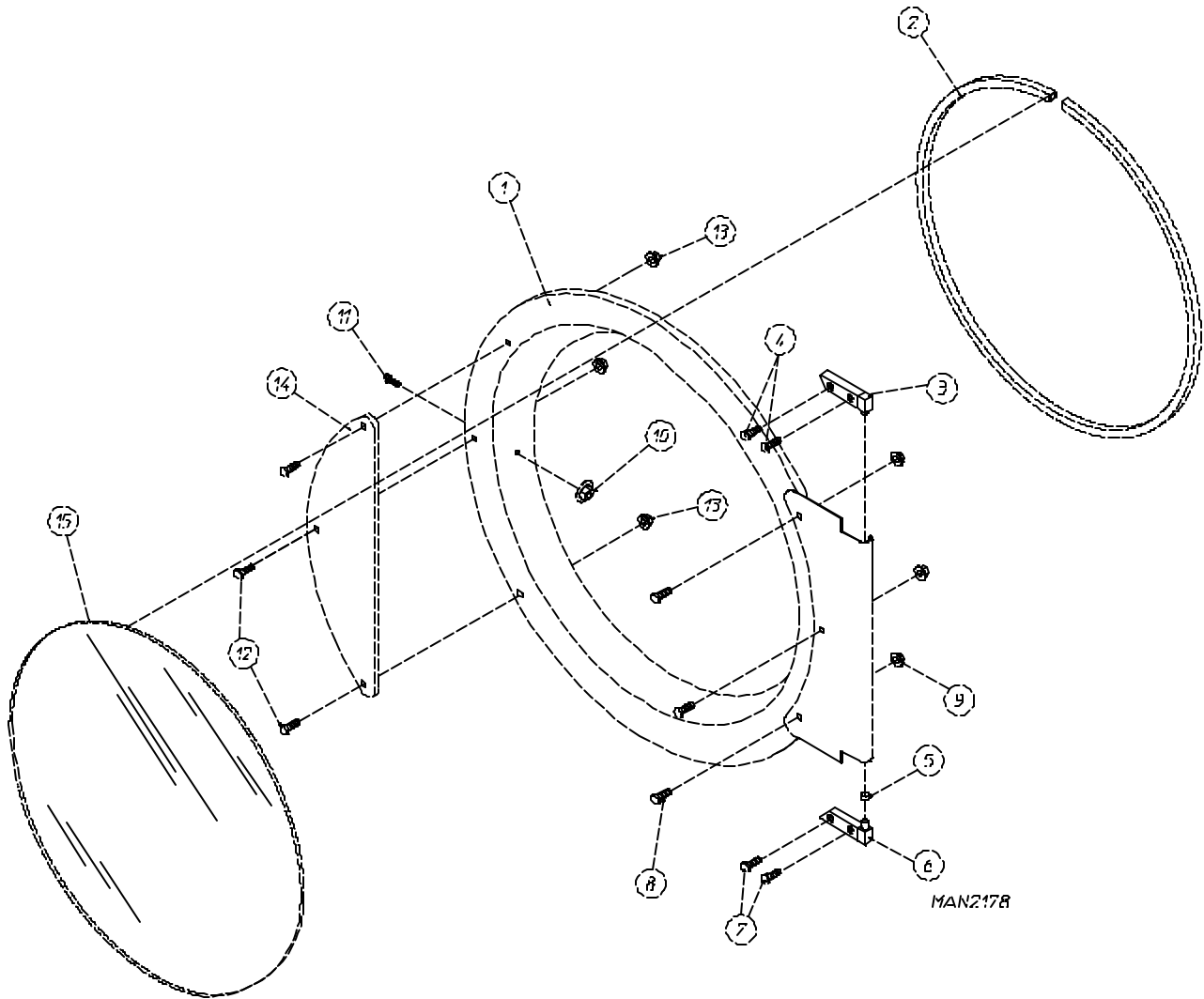
<u>Illus. No.</u>	<u>Part No.</u>	<u>Qty.</u>	<u>Description</u>
1	137103	1	Phase 5 Microprocessor Controller (Computer)
2	150005	2	#6-32 x 1/4" Phillips Round Head Machine Screw
3	137104	1	Ribbon Cable Assembly
4	136048	1	1/8-Amp (Slo Blo) Fuse ONLY
5	853071	1 or 2	Optic Switch Harness
6	853171	1	Microprocessor Controller (Computer) Panel
	853170	1	Microprocessor Controller (Computer) Panel Mounting Plate ...Not Illustrated
7	881484	1	2-Piece Coin Chute Assembly



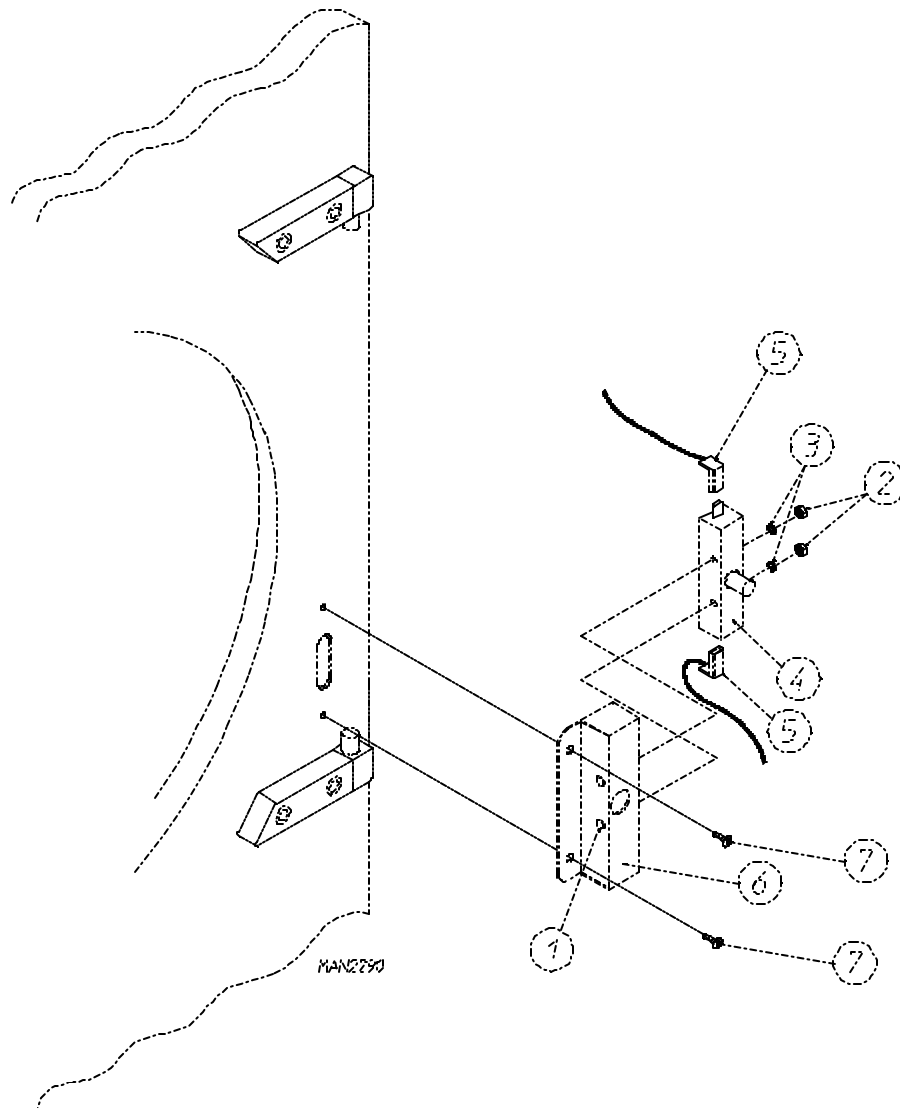
MAN3149

<u>Illus. No.</u>	<u>Part No.</u>	<u>Qty.</u>	<u>Description</u>
1	881174	1	Black Left/Right Coin Box Faceplate Only
	881476	1	Left Coin Box with Black Faceplate Only (Less Lock)
2	881474	1	Coin Box Lock kit (includes 2 Locks with Keys "Keyed Alike")
3*	160136	1	Coin Box Lock Key ONLY
4	881477	1	Black Left Coin Vault ONLY
5	881174	1	Black Left/Right Coin Box Faceplate ONLY
	881167	1	Right Coin Box with Black Faceplate ONLY (Less Lock)
6	881179	1	Black Right Coin Vault ONLY

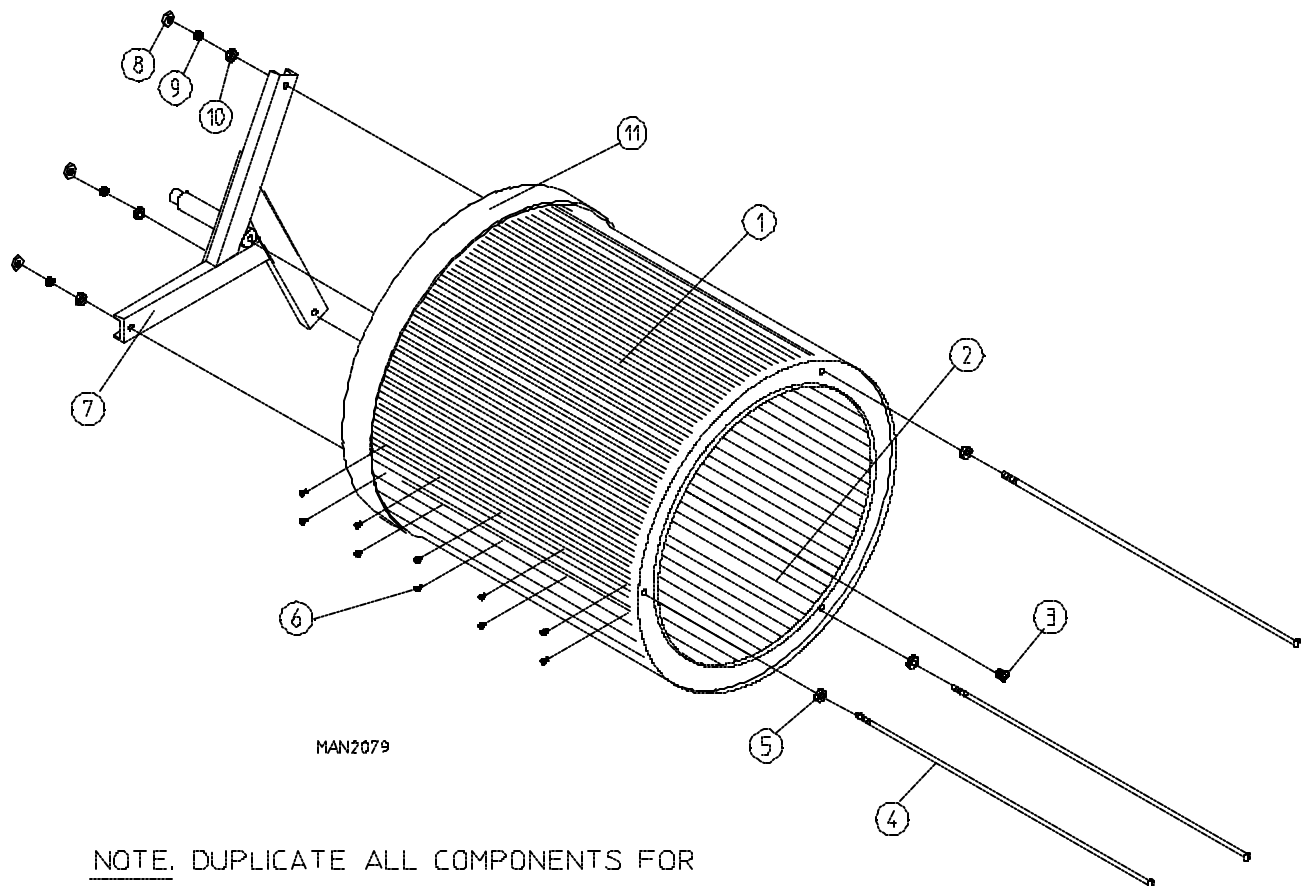
* Specify key number when ordering.



<u>Illus. No.</u>	<u>Part No.</u>	<u>Qty.</u>	<u>Description</u>
1	881150	1	Black Main Door Assembly Complete (includes illus. nos. 1, 2, and 8 through 15)
	881207	1	Stainless Steel Main Door Assembly Complete (includes illus. nos. 1, 2, and 8 through 15)
2	102354	1	Door Gasket
	170730	1	Clear Gasket Adhesive (10.7 oz. cartridge)
	170731	1	Black Gasket Adhesive (10.7 oz. cartridge)
3	881152	1	Black Top Hinge Block Assembly (includes illus. nos. 3 and 4)
	881208	1	Stainless Steel Top Hinge Block Assembly (includes illus. nos. 3 and 4)
4	150445	2	1/4-20 x 3/4" Black Cap Head Setscrew
	150443	2	1/4-20 x 3/4" Stainless Steel Cap Head Setscrew
5	153031	1	1/4" Nylon Washer
6	881151	1	Black Bottom Hinge Block Assembly (includes illus. nos. 5, 6, and 7)
	881209	1	Stainless Steel Bottom Hinge Block Assembly (includes illus. nos. 5, 6, and 7)
7	150445	2	1/4-20 x 3/4" Black Cap Head Setscrew
	150443	2	1/4-20 x 3/4" Stainless Steel Cap Head Setscrew
8	150683	3	1/4-20 x 5/8" Black Carriage Bolt
	150682	3	1/4-20 x 5/8" Polished Carriage Bolt (for models with Stainless Steel Door)
9	152014	3	1/2-20 Free Spin Wash Nut
10	151010	1	#10-32 Black Hex Acorn Nut
	151009	1	#10-32 Stainless Steel Hex Acorn Nut
11	150120	1	Door Latch Screw
12	150683	3	1/4-20 x 5/8" Black Carriage Bolt
	150682	3	1/4-20 x 5/8" Polished Carriage Bolt (for models with Stainless Steel Door)
13	152014	3	1/2-20 Free Spin Wash Nut
14	881210	1	Black Main Door Handle ONLY
	170333	1	Stainless Steel Main Door Handle ONLY
15	102211	1	20-7/16" Door Glass
	170730	1	Clear Glass Adhesive (10.3 oz. cartridge)
	170731	1	Black Glass Adhesive (10.3 oz. cartridge)



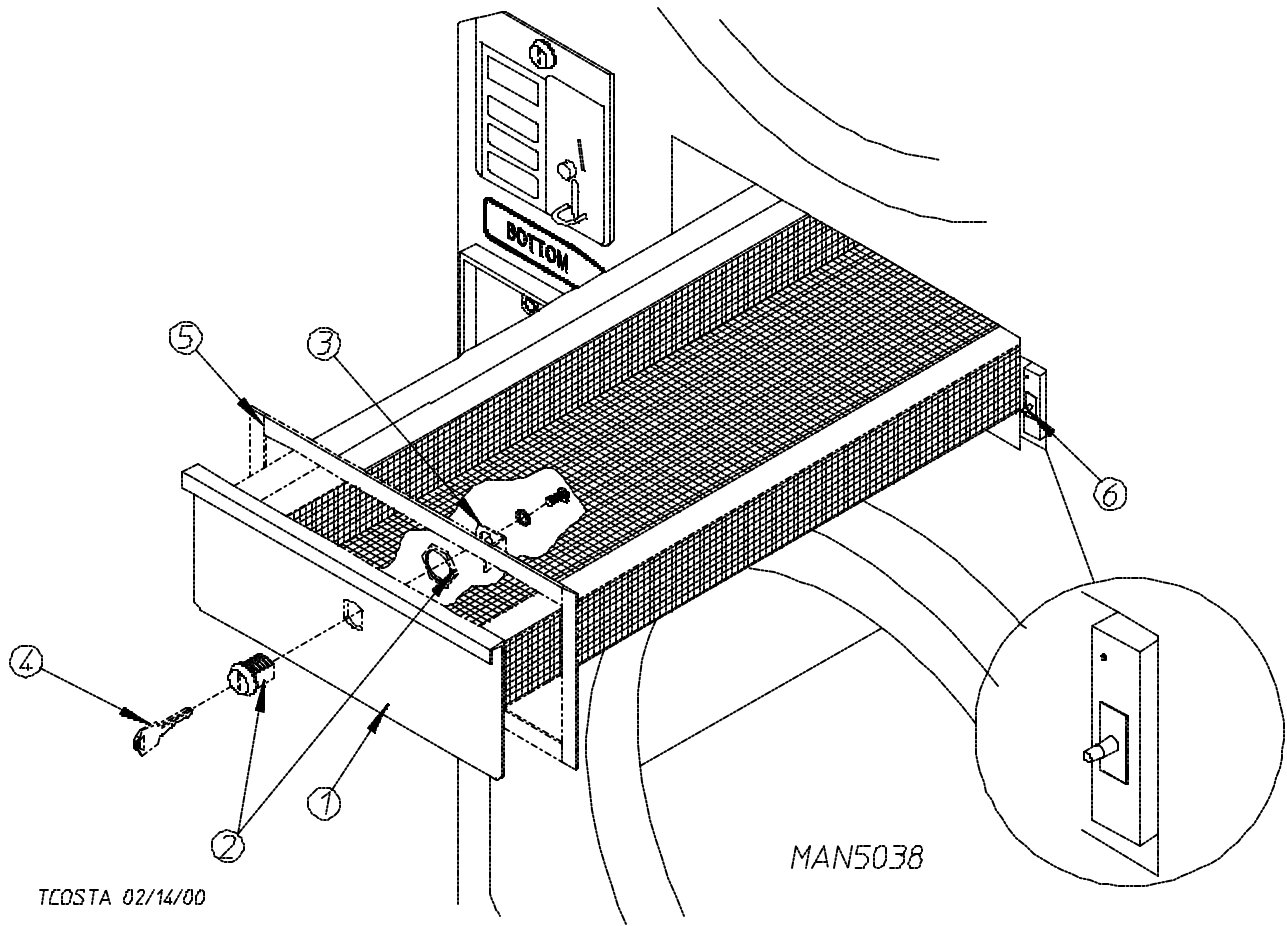
<u>Illus. No.</u>	<u>Part No.</u>	<u>Qty.</u>	<u>Description</u>
1	150006	2	#6-32 x 7/8" Phillips Pan Head Machine Screw
2	152013	2	#6-32 Hex Nut
3	153010	2	#6 Star Washer
4	137005	1	Door Switch
5	122636	2	Flag Terminal
6	881211	1	Black Main Door Switch Housing ONLY
	881212	1	Beige Main Door Switch Housing ONLY
	881213	1	White Main Door Switch Housing ONLY
	881214	1	Blue Main Door Switch Housing ONLY
	881153	1	Black Main Door Switch Housing Complete (includes illus. nos. 1, 2, 3, 4, and 6)
	881215	1	Beige Main Door Switch Housing Complete (includes illus. nos. 1, 2, 3, 4, and 6)
	881216	1	White Main Door Switch Housing Complete (includes illus. nos. 1, 2, 3, 4, and 6)
	881217	1	Blue Main Door Switch Housing Complete (includes illus. nos. 1, 2, 3, 4, and 6)
7	150301	2	#8-18 x 7/16" Phillips Pan Head TEK Screw



NOTE. DUPLICATE ALL COMPONENTS FOR
LOWER TUMBLER/SUPPORT ASSEMBLY

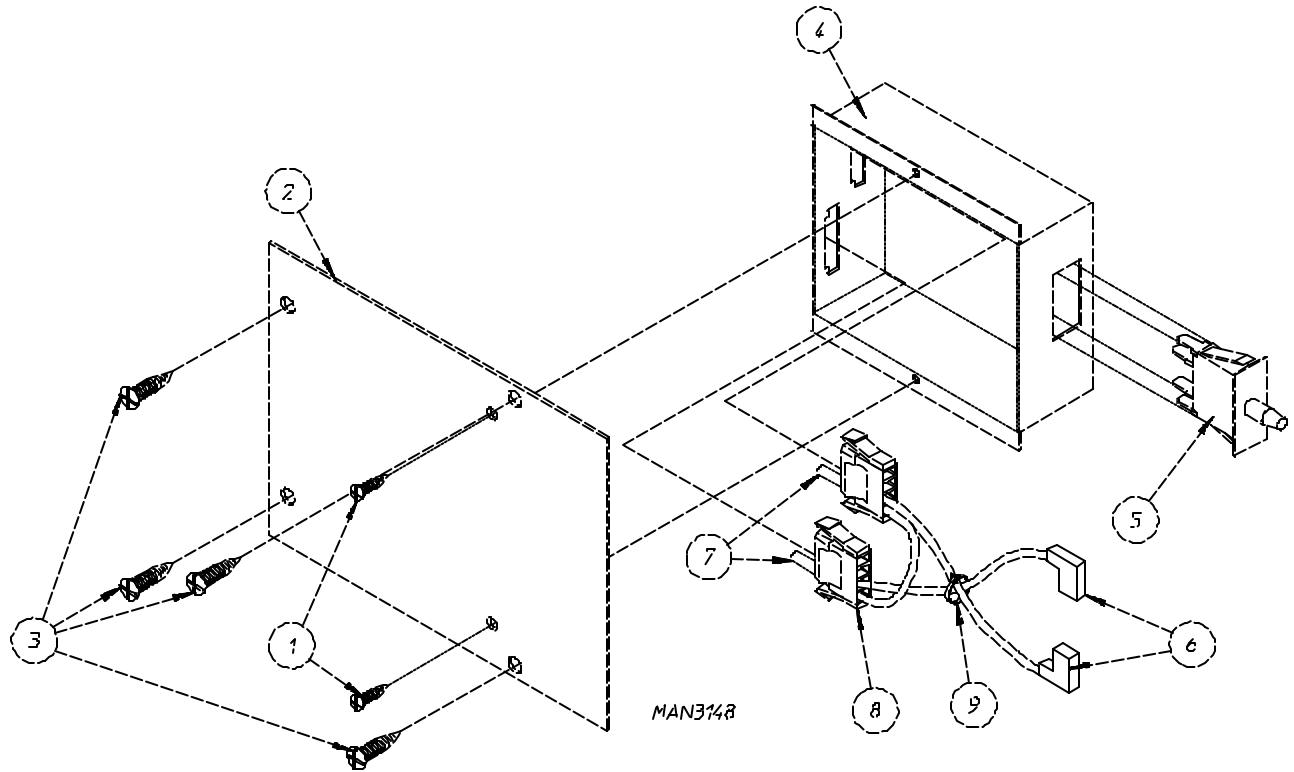
Illus. No.	Part No.	Qty.	Description
1	800831	1	Basket (Tumbler)/Galvanized/Support Assembly Complete with Felt Collar (includes illus. nos. 1 through 11)
	800721*	1	Basket (Tumbler) (Galvanized) ONLY
	800891	1	Stainless Steel Basket (Tumbler)/Support Assembly Complete with Felt Collar (includes illus. nos. 1 through 11)
	800841*	1	Stainless Steel Basket (Tumbler) ONLY
2	301315	2	Short (Galvanized) Basket (Tumbler) Rib ONLY
	301316	1	Tall (Galvanized) Basket (Tumbler) Rib ONLY
	301414	2	Short (Stainless Steel) Basket (Tumbler) Rib ONLY
	301415	1	Tall (Stainless Steel) Basket (Tumbler) Rib ONLY
3	150518	1	5/16-18 x 3/8" Socket Button Head Screw
4	100902	3	5/16-18 x 31" Tie Rod
5	153001	3	5/16" Flat Washer
6	154210	30	5/32" x 3/16" Pop Rivet
7	800617	1	Basket (Tumbler) Support ONLY
8	152004	3	5/16-18 Hex Nut
9	153002	3	5/16" Lock Washer
10	153001	3	5/16" Flat Washer
11	116003	1	Felt Collar ONLY
	401010	1	#847 Adhesive for Felt Collar (5 oz. Tube)

* Felt collar is not included and **must be** ordered separately.

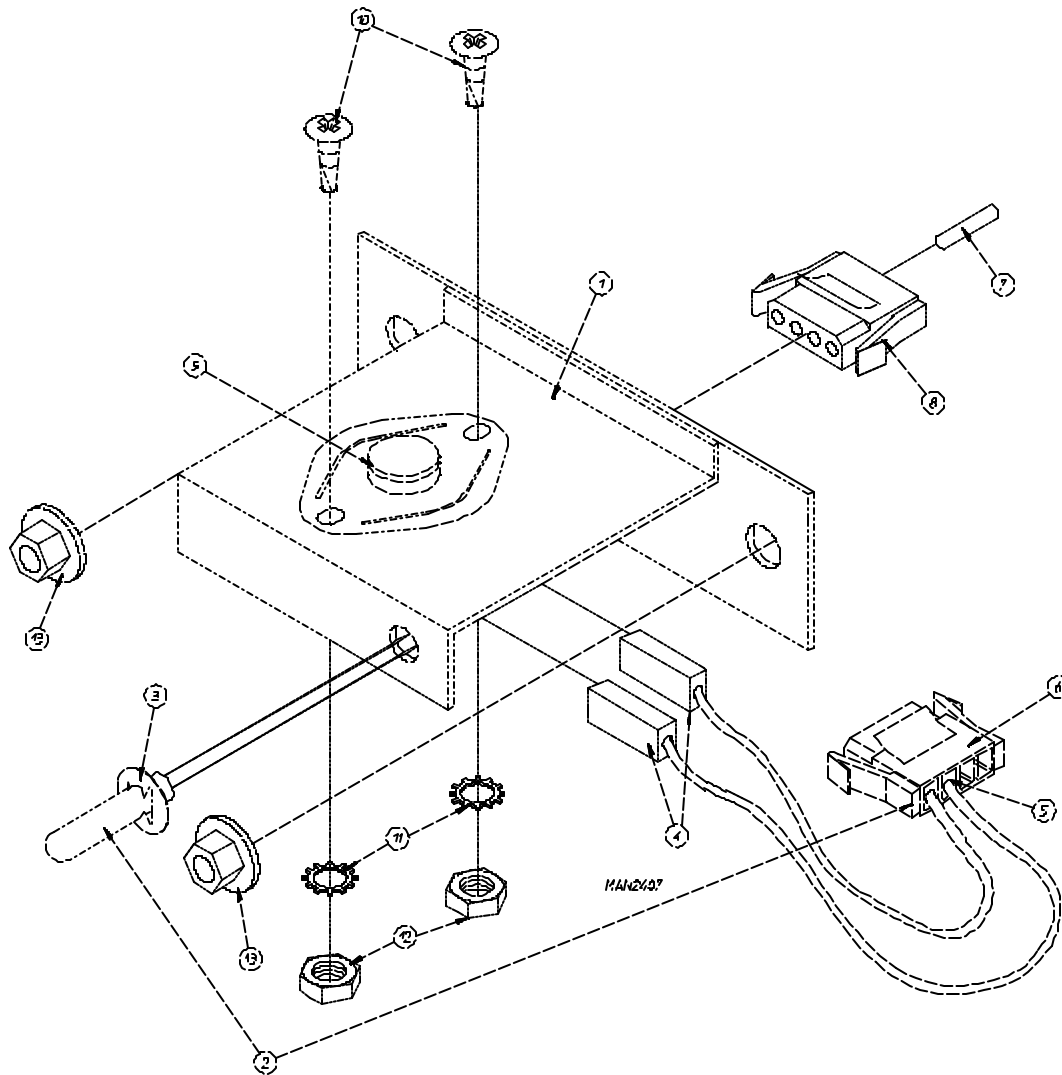


<u>Illus. No.</u>	<u>Part No.</u>	<u>Qty.</u>	<u>Description</u>
1	881467*	1	Textured Lint Drawer Assembly (Less Lock and Logo)
	881466	1	Stainless Steel Lint Drawer Assembly (Less Lock and Logo)
	881468*	1	Lint Drawer Assembly (Less Lock and Logo)
	112346	1	Wasco Dry Logo...Not Illustrated
2	160015	1	MK-100 Lock with Key (Less Cam)
3	160031	1	Cam Only (90° Bend)
4	160104	1	Mk-100 Key ONLY
5	117604	4	Neoprene Sponge Gasket (sold by the foot)
6	-----	1	Lint Drawer Switch (refer to Lint Drawer Switch Box Assembly on page 13)

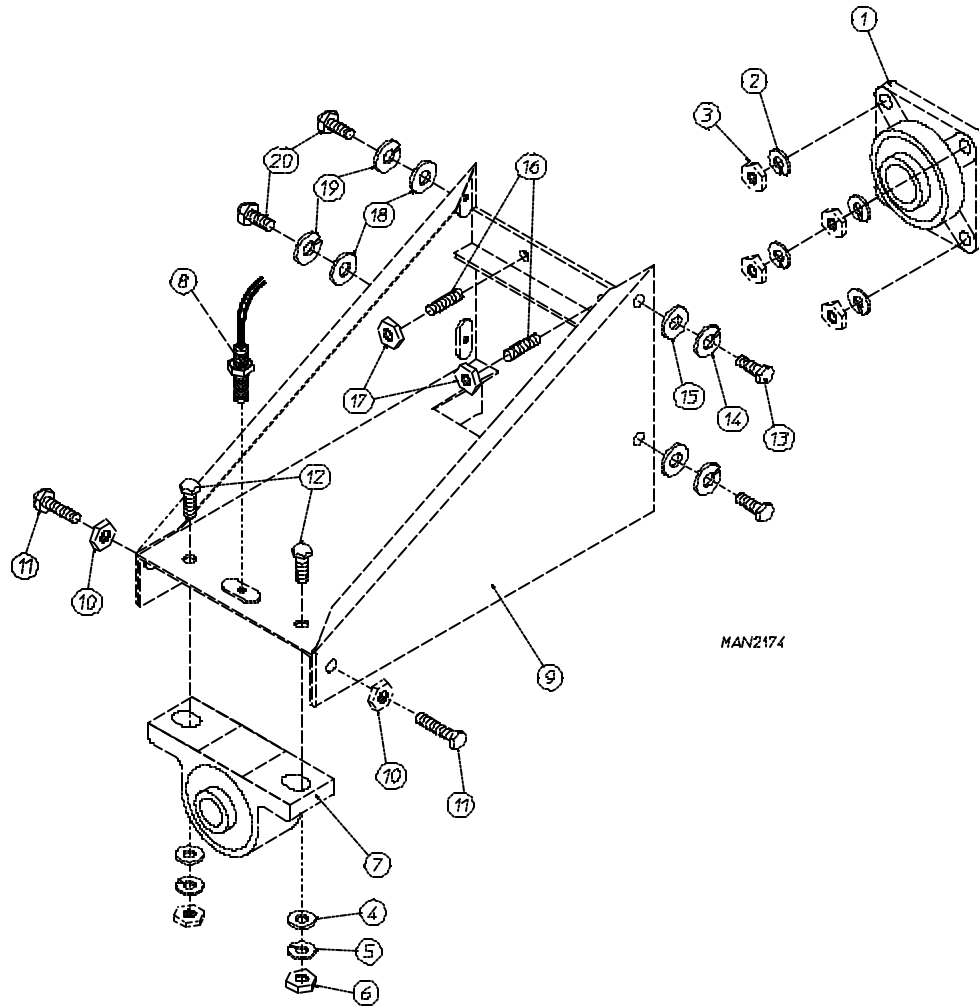
* Specify color when ordering.



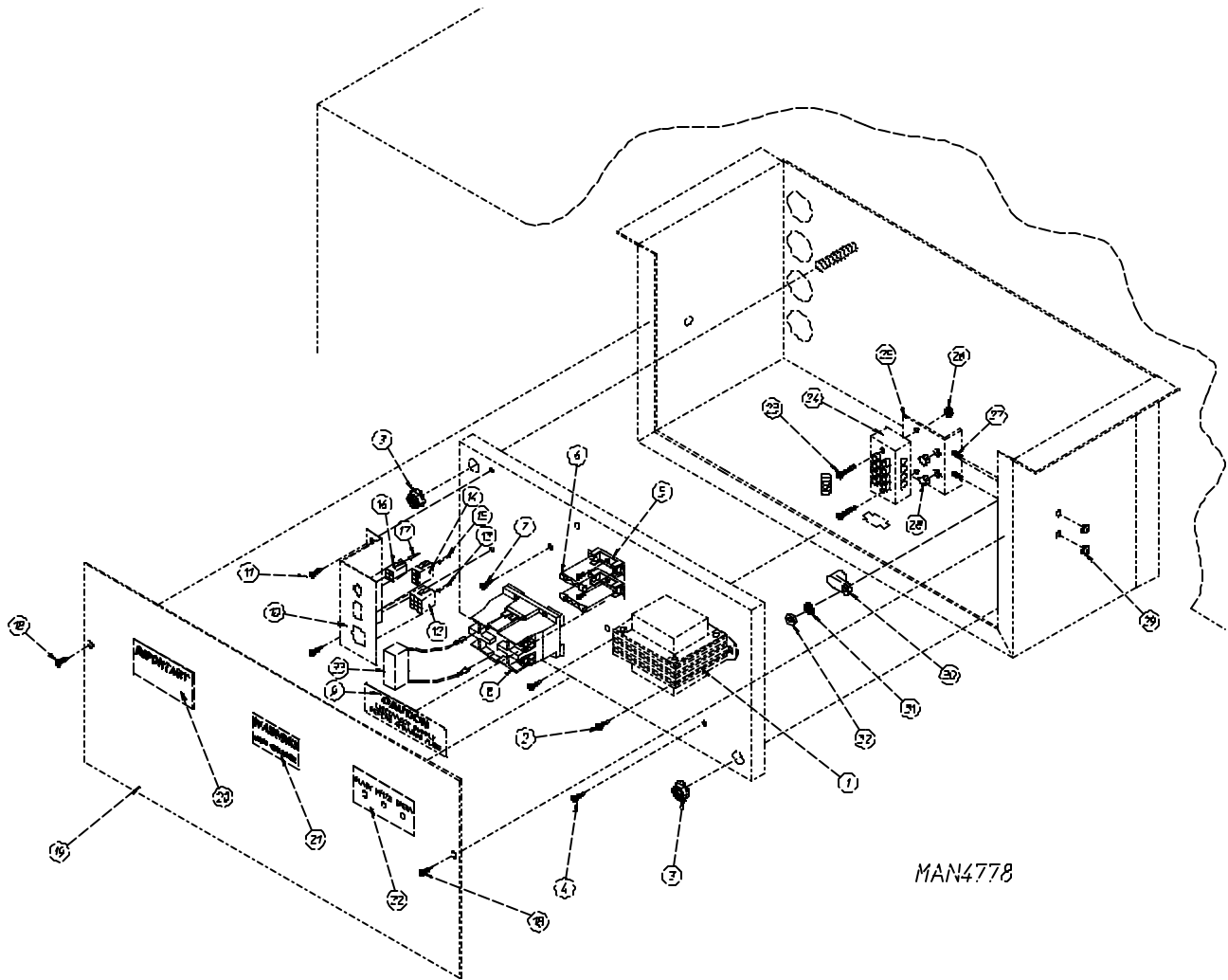
<u>Illus. No.</u>	<u>Part No.</u>	<u>Qty.</u>	<u>Description</u>
1	150301	2	#8-18 x 7/16" Phillips Pan Head TEK Screw
2	826303	1	Lint Drawer Switch Panel
3	150301	4	#8-18 x 7/16" Phillips Pan Head TEK Screw
4	353261	1	Lint Drawer Switch Box
	881494	1	Lint Drawer Switch Box Assembly (includes illus. nos. 1, 2, and 4 through 9)
5	122116	1	Lint Drawer Switch
6	122636	2	.250 Insulated Flag Terminal
7	122701	4	Socket Terminal ONLY
	112801		Pins/Socket Extraction Tool
8	122605	2	4-Pin Socket Connector
9	881502	1	Lint Drawer Switch Harness



<u>Illus. No.</u>	<u>Part No.</u>	<u>Qty.</u>	<u>Description</u>
1	853021	1	Sensor Bracket ONLY
	881090	1	Microprocessor Temperature Sensor Bracket Assembly Complete (includes illus. nos. 1 through 6 and 9 through 12)
2	880251	1	Microprocessor Temperature Sensor Probe Assembly Complete (includes illus. nos. 2 through 6)
3	154007	2	1/4" Push-On Fastener
4	121028	2	1/4" Terminal
5	122701	4	Socket Terminal ONLY
	112801		Pins/Socket Extraction Tool
6	122605	1	4-Position Connector (Female)
7	122700	4	Pin Terminal ONLY
8	122604	1	4-Position Connector (Male)
9	130112	1	225° Thermostat
10	150005	2	6/32 x 1/4" Phillips Round Head Machine Screw
11	153010	2	#6 Star Washer
12	152013	2	#6-32 Hex Nut
13	152014	2	1/4-20 Free Spin Wash Nut

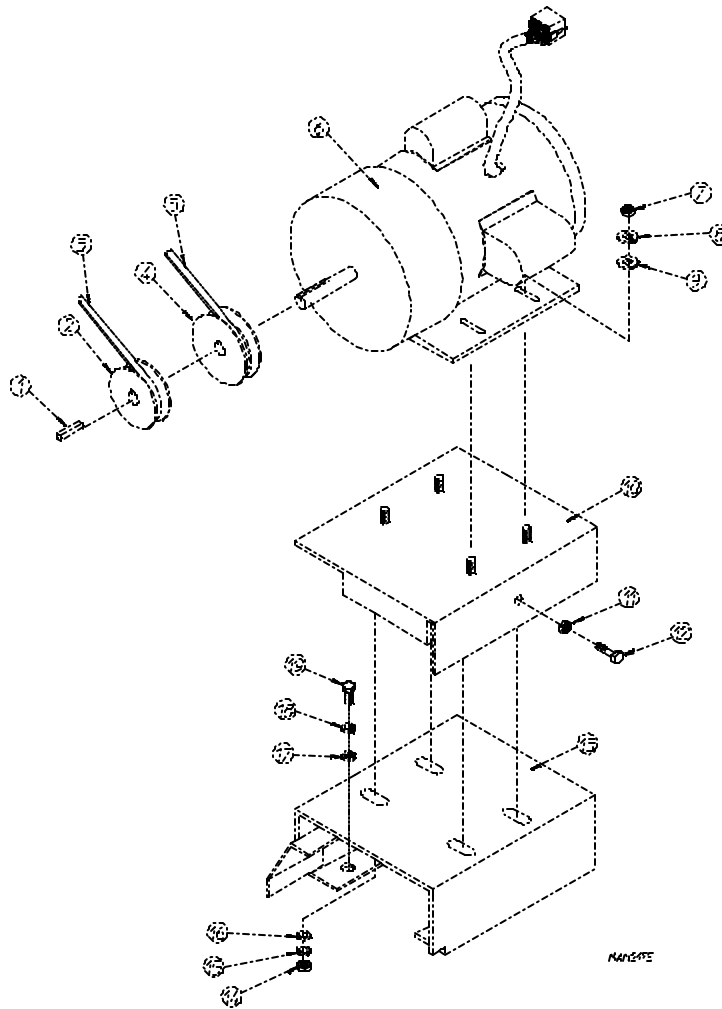


Illus. No.	Part No.	Qty.	Description
1	880203	1	1-3/8" Flange Bearing with Nylock Setscrew
	880938	1	Cone Point Setscrew Kit...Not Illustrated
2	153005	4	3/8" Lock Washer
3	152005	4	3/8-16 Hex Nut
4	153004	2	3/8" Flat Washer
5	153005	2	3/8" Lock Washer
6	152005	2	3/8-16 Hex Nut
7	880881	1	1-3/8" Pillow Block Bearing with Rotation Sensor Magnet
	880938	1	Cone Point Setscrew Kit...Not Illustrated
8	824807	1	Rotational Sensor Magnetic Switch Assembly
9	853040	1	Basket (Tumbler) Bearing Support ONLY
10	152004	2	5/16-18 Hex Nut
11	150621	2	5/16-18 x 1-1/2" Hex Head Machine Bolt
12	150600	2	3/8-16 x 1-1/2" Hex Head Machine Bolt
13	150501	2	5/16-18 x 3/4" Hex Head Machine Bolt
14	153002	2	5/16" Lock Washer
15	153001	2	5/16" Flat Washer
16	150610	2	5/16-18 x 1-1/2" Allen Setscrew
17	152004	2	5/16-18 Hex Nut
18	153001	2	5/16" Flat Washer
19	153002	2	5/16" Lock Washer
20	150501	2	5/16-18 x 3/4" Hex Head Machine Bolt



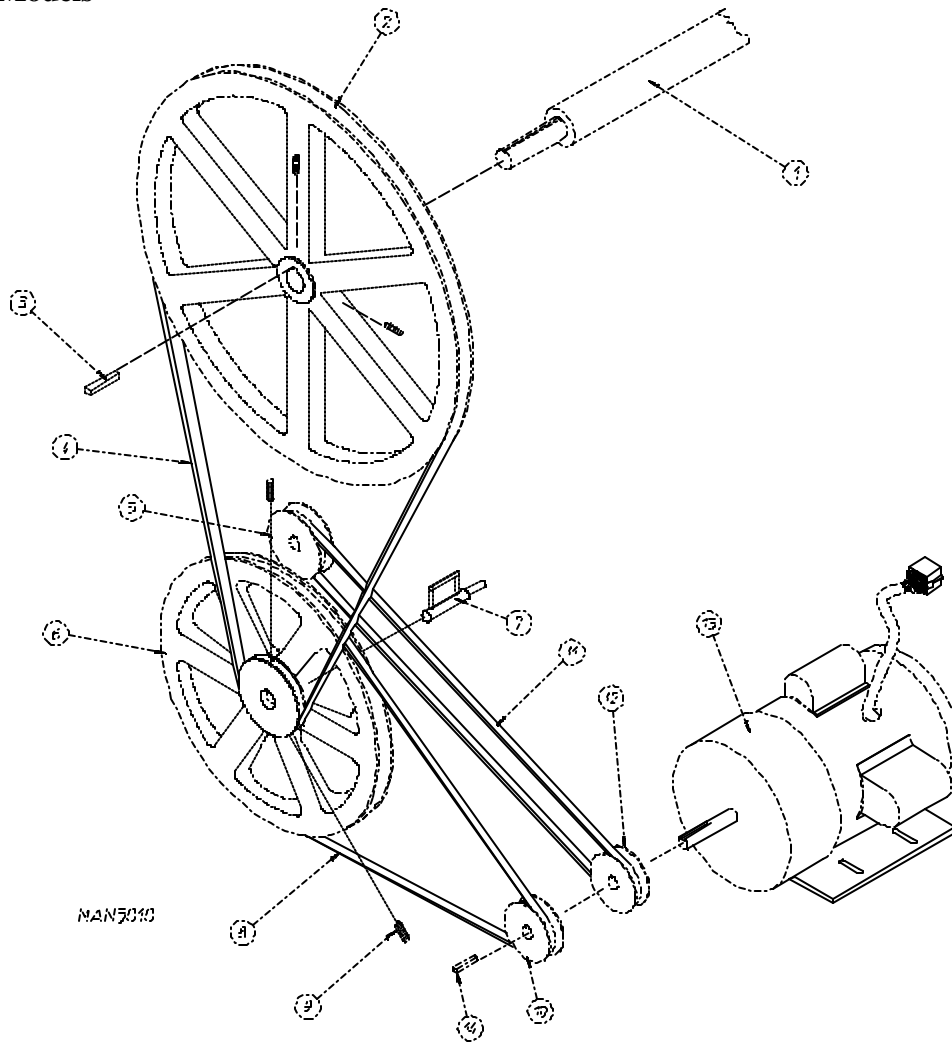
<u>Illus. No.</u>	<u>Part No.</u>	<u>Qty.</u>	<u>Description</u>
1	881495	1	Transformer Kit - 24 VAC
2	150301	2	#8-18 x 7/16" Phillips Pan Head TEK Screw
3	152014	2	1/4-20 Free Spin Wash Nut
4	150301	2	#8-18 x 7/16" Phillips Pan Head TEK Screw
5	136008	1 or 2	Fuse Block ONLY
6	136057	1 or 2	1/2-Amp (Slo-Blo) Fuse ONLY
7	150301	1 or 2	#8-18 x 7/16" Phillips Pan Head TEK Screw
8	132451	1	Motor Contactor - 24 VAC
9	112025	1	"CAUTION - Disconnect Supply" Label
10	353258	1	Connector Bracket
11	150301	2	#8-18 x 7/16" Phillips Pan Head TEK Screw
12	122642	1	9-Pin Connector
13	122643	8	Mate-N-Lock Pin
14	122645	1	6-Pin Connector
15	122643	6	Mate-N-Lock Pin
16	122649	1	4-Pin Connector
17	122643	4	Mate-N-Lock Pin
18	150301	2	#8-18 x 7/16" Phillips Pan Head TEK Screw
19	353153	1	Rear Electrical Box Cover
20	112046	1	"Computer Ground" Label
21	112014	1	"High Voltage" Label
22	112039	1	"Black/White/Green Ground" Label (for 120 VAC Models)
	112035	1	"Black/Red/Green Ground" Label (for 208-240 VAC Models)
23	150008	2	#6-32 x 1-1/4" Round Head Machine Screw
24	120701	1	4-Position Terminal Block
25	881222	1	Power Distribution Block Mounting Bracket
26	151000	2	#6-32 Pal Nut
27	153528	2	#8-32 x 1/2" Clinch Stud
28	121300	2	Bushing
29	152001	2	#8-32 Hex Nut
30	121010	1	L-70 Ground Lug
31	153007	1	1/4" Lock Washer
32	152002	1	1/4-20 Hex Nut
33	824828	1	R.C. Network

For 60 Hz Models

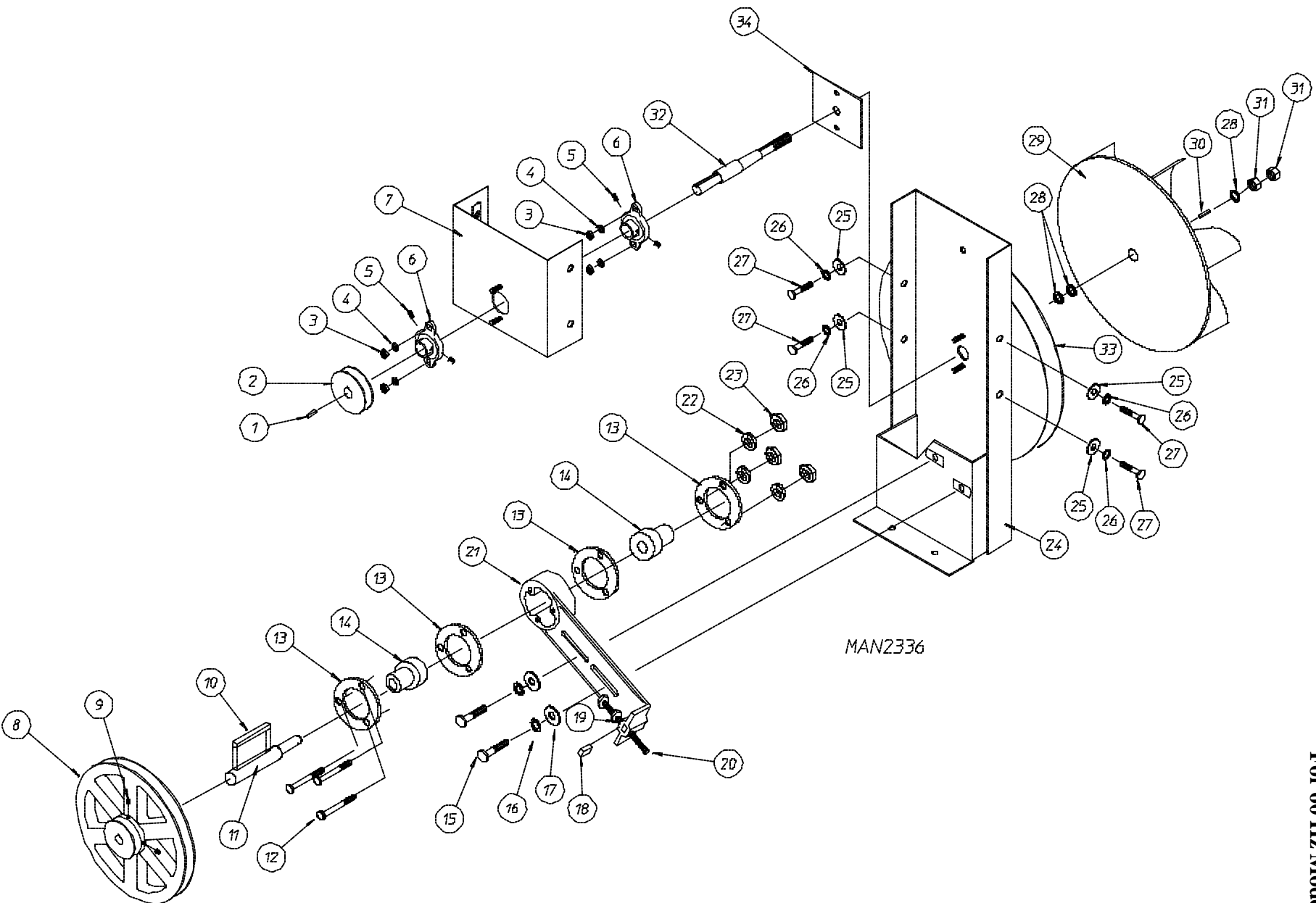


<u>Illus. No.</u>	<u>Part No.</u>	<u>Qty.</u>	<u>Description</u>
1	100718	1	3/16" x 3/16" x 2-1/4" Key
2	101133	1	2-1/4" x 5/8" Pulley
3	100171	1	4L-440 V-Belt
4	101207	1	3.0 x 5/8" Pulley
5	100156	1	5L-330 V-Belt
6	881096	1	120/230v 1ø 60 Hz Drive Motor Mount Assembly Complete (includes illus. nos. 1, 2, 4, and 6 through 16)
	181022	1	3/4 HP 120/230v 1ø 60 Hz Motor
7	152004	4	5/16-18 Hex Nut
8	153002	4	5/16" Lock Washer
9	153001	4	5/16" Flat Washer
10	853087	1	Motor Mount Slide Assembly ONLY
11	152005	1	3/8-16 Hex Nut
12	150601	1	3/8-16 x 2" Hex Head Tap Bolt
13	853042	1	Motor Mount Base Assembly ONLY
14	152004	4	5/16-18 Hex Nut
15	153002	4	5/16" Lock Washer
16	153001	4	5/16" Flat Washer
17	153001	4	5/16" Flat Washer
18	153002	4	5/16" Lock Washer
19	150501	4	5/16-18 x 3/4" Hex Head Machine Bolt

For 60 Hz Models



<u>Illus. No.</u>	<u>Part No.</u>	<u>Qty.</u>	<u>Description</u>
1	-----	1	Basket (Tumbler) Support (refer to Basket [Tumbler]/Support Assemblies on page 11)
2	101100	1	18" Pulley
-	154301	2	5/16-18 x 1" Allen (Cone Point) Setscrew
3	100713	1	1/4" x 1/4" x 7/8" Key
4	100106	1	5L-690 V-Belt
5	101206	1	2.8 x 5/8" Pulley
6	101129	1	9" x 2-1/2" Compound Pulley
7	-----	1	Idler Assembly (refer to Impellor [Fan]/Idler Bearing Assemblies on page 20 and page 21)
8	100171	1	4L-440 V-Belt
9	154301	2	5/16-18 x 1" Allen (Cone Point) Setscrew
10	101133	1	2-1/4" x 5/8" Pulley
11	100156	1	5L-330 V-Belt
12	101207	1	3.0 x 5/8" Pulley
13	-----	1	Drive Motor Assembly (refer to Drive Motor/Motor Mount Assemblies on page 18)
14	100718	1	3/16" x 3/16" x 2-1/4" Key



For 60 Hz Models

<u>Illus. No.</u>	<u>Part No.</u>	<u>Qty.</u>	<u>Description</u>
1	100701	1	3/16" x 3/16" x 1" Key
2	101206	1	2.8 x 5/8" Pulley
3	152002	4	1/4-20 Hex Nut
4	153007	4	1/4" Lock Washer
5	154324	4	#10-32 x 1/4" Cone Point Setscrew
6	881361	2	5/8" Flange Bearing
7	881225	1	Impellor (Fan) Bearing Mount Only
8	101129	1	9" Pulley
9	154301	2	5/16-18 x 1" Allen (Cone Point) Setscrew
10	100705	1	3/16" x 3/16" x 1-3/8" Key
11	301850	1	Idler Shaft
12	150529	3	1/4-20 x 2-1/4" Carriage Bolt
13	-----	4	Flange (included with Part No. 100214)
14	880214	2	5/8" Flange Bearing
15	150617	2	3/8-16 x 1" Hex Head Machine Bolt
16	153005	2	3/8" Lock Washer
17	153004	2	3/8" Flat Washer
18	152020	1	5/16-18 Square Nut
19	152004	1	5/16-18 Hex Nut
20	150509	1	5/16-18 x 3" Hex Head Machine Bolt
21	801016	1	Cast Idler Assembly Complete (includes illus. nos. 10 through 23)
	100406	1	Cast Idler Bearing Mount Assembly
22	153007	3	1/4" Lock Washer
23	152002	3	1/4-20 Hex Nut
24	881226	1	Impellor/Fan Mount ONLY (includes illus. no. 33)
25	153004	4	3/8" Flat Washer
26	153005	4	3/8" Lock Washer
27	150508	4	3/8-16 x 3/4" Hex Head Machine Bolt
28	153050	3 or 4	1/2" x 1-1/16" Flat Washer
29	100604	1	12-1/2" Impellor (Fan)
30	100723	1	1/8 x 1/8 x 1-3/8" Key
31	152006	2	1/2-20 Left Hand Jam Nut
32	353111	1	Fan Shaft
33	117604	3	Neoprene Sponge Tape (sold by the foot)
34	116011	1	3-1/2" x 4" Felt Bearing Seal

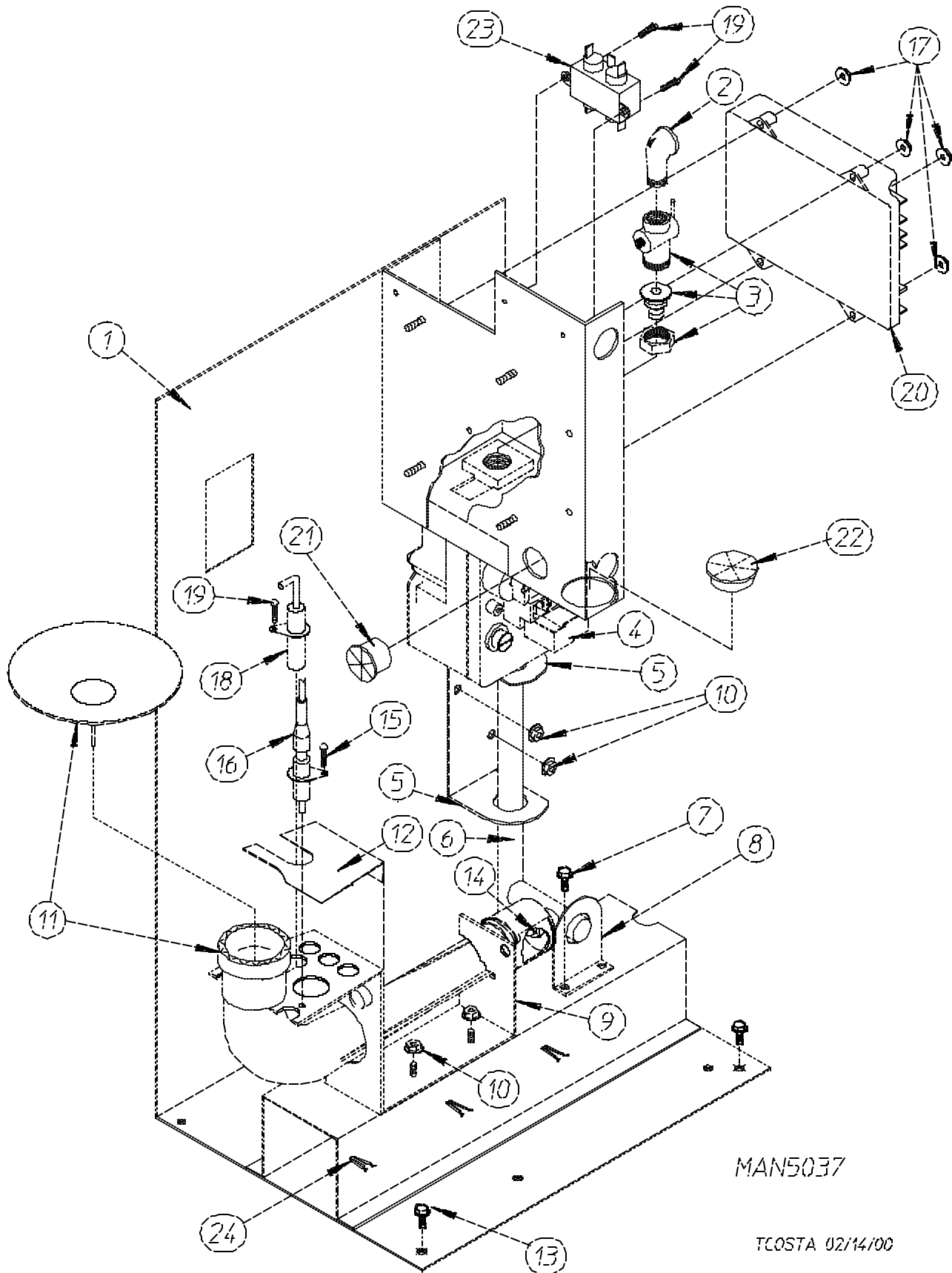
For Models Mfd. as of February 29, 2000

<u>Illus. No.</u>	<u>Part No.</u>	<u>Qty.</u>	<u>Description</u>
1*	882475	1	ADG-530 (DSiII) Natural Gas Burner Assembly Complete Less Orifice (includes illus. nos. 1 through 13 and 15 through 24)
	882477	1	ADG-530 (DSiII) Liquid Propane (L.P.) Gas Burner Assembly Complete Less Orifice (includes illus. nos. 1 through 13 and 15 through 24)
2	142502	1	1/2" x 3/4" Street Elbow
3	142812	1	1/2" x 3" Nipple
4	128927	1	1/2" 24 VAC (Natural Gas) Gas Valve
	880960	1	1/2" 24 VAC Liquid Propane (L.P.) Gas Valve
	140411	1	1/2" Liquid Propane (L.P.) Gas Valve Conversion Kit (Per Basket [Tumbler])
	881119**		Liquid Propane (L.P.) Conversion Kit (includes parts to convert both top and bottom basket [tumbler] to liquid propane [L.P.] gas)
5	353237	1	Notched Double Sided Pipe Bracket
6	141211	1	1/2" Single Port Manifold
7	150300	2	#10 x 1/2" Hex Head TEK Screw
8	353222	1	Manifold Pipe Bracket
9	318009	1	Burner Tube Bracket
10	151001	2	#8 Pal Nut
11	141131	1	Upshot Burner Tube with Spreader (not sold separately)
12	353273	1	Direct Spark Ignition (DSI) Burner Tube Angle Bracket
13	150300	2	#10 x 1/2" Hex Head TEK Screw
14**	140836	1	#10 Burner Orifice (Natural Gas)
	140855	1	#33 Burner Orifice (Liquid Propane [L.P.] Gas)
15	150002	1	#6-32 x 1" Phillips Round Head Machine Screw
16	128917	1	Direct Spark Ignition (DSI) Ignitor with High Voltage (HV) Wire
17	151000	4	#6-32 Pal Nut
18	128918	1	Flame Sensor Probe
19	150315	4	#6 x 3/8" Phillips Head Screw
20	128936	1	Direct Spark Ignition (DSI) Module with Retries (50/60 Hz)
21	121400	3	7/8" Universal Bushings
22	121410	1	1-3/8" Universal Bushings
23	880869	1	Corcom EMI Filter
24	102600	3	Retainer
25	142600	1	1/2" Black Union

* Burner orifice *is not included* and **must be** ordered separately.

** Consult factory for elevations over 2,000 feet.

For Models Mfd. prior to February 29, 2000

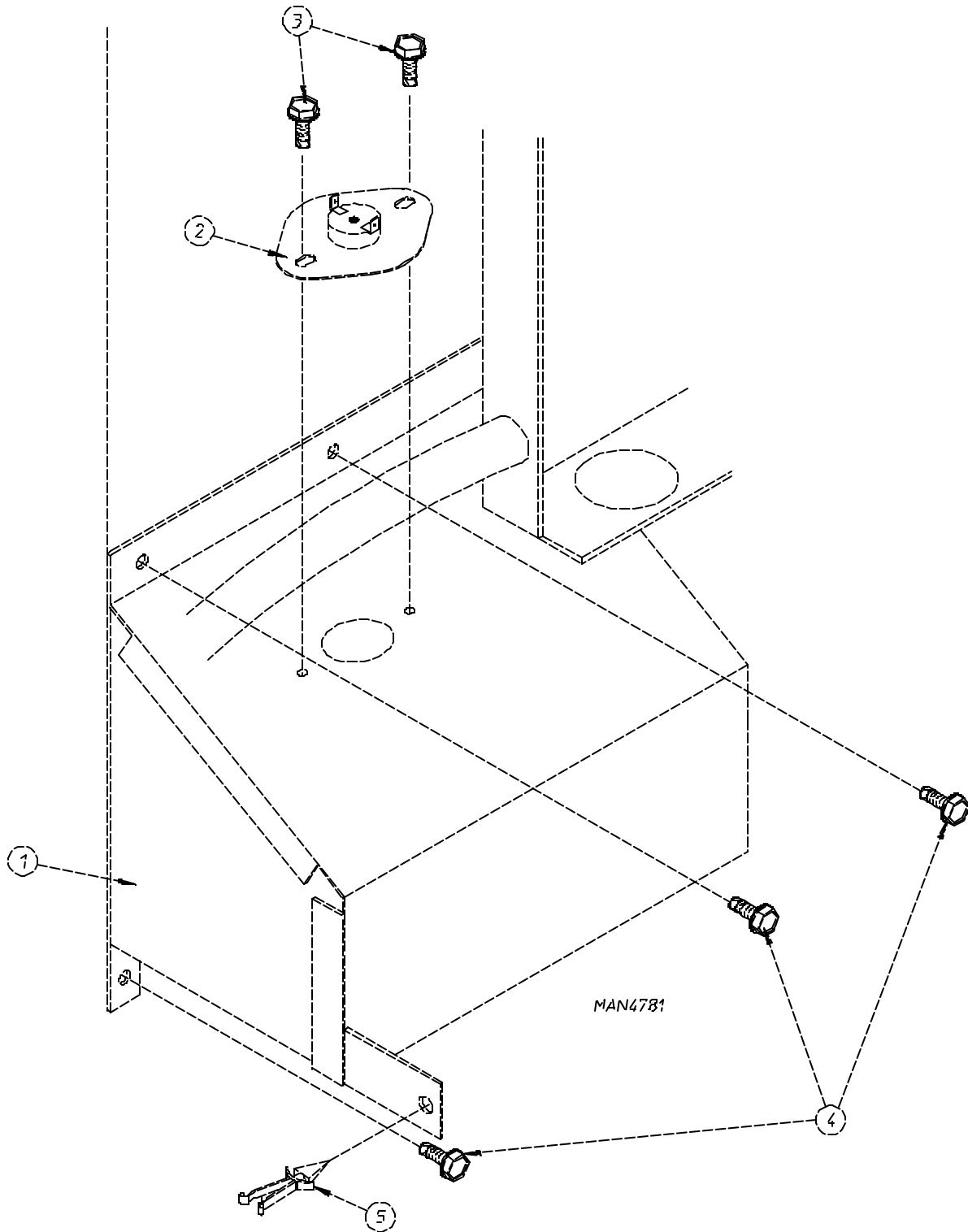


For Models Mfd. prior to February 29, 2000

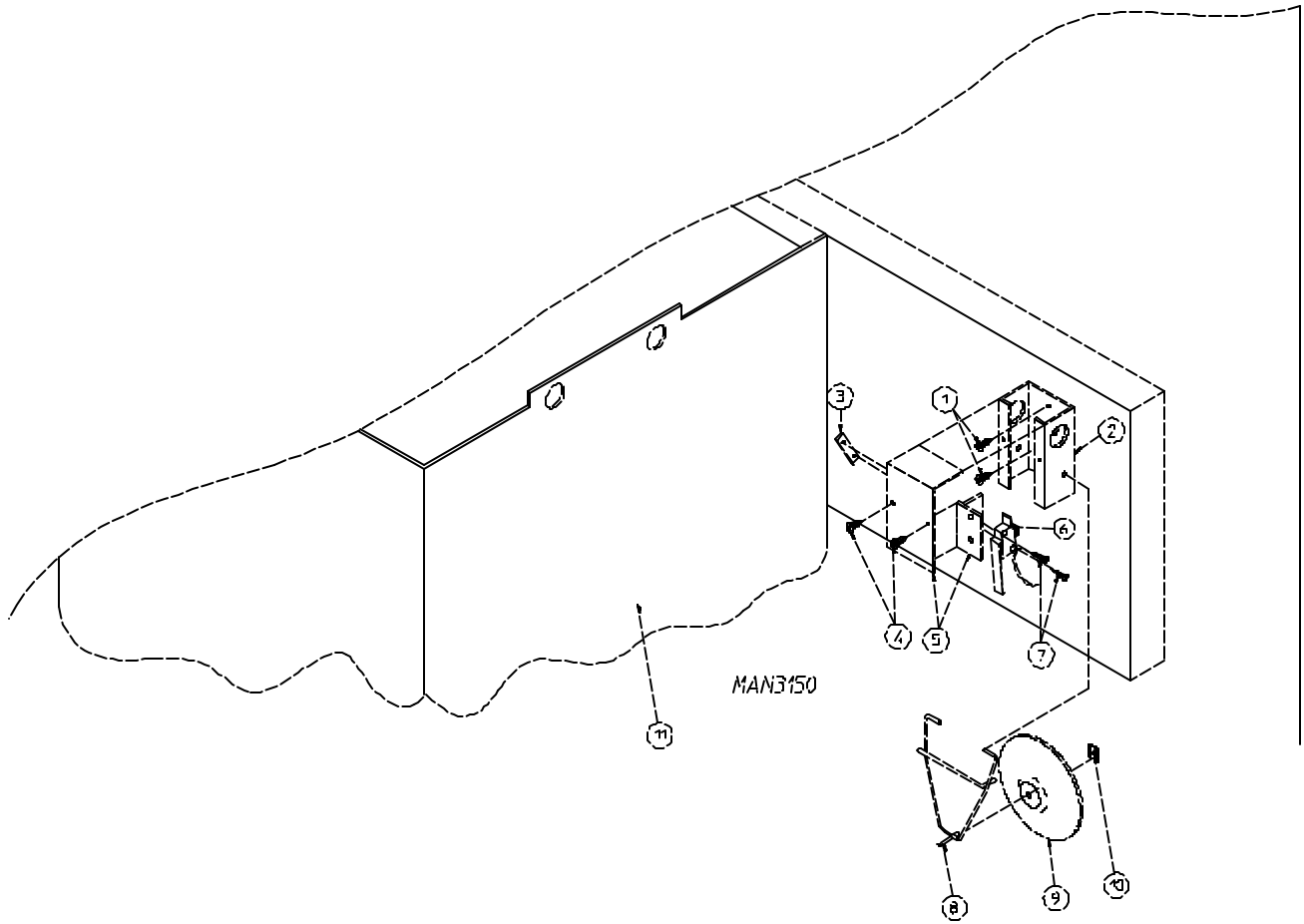
<u>Illus. No.</u>	<u>Part No.</u>	<u>Qty.</u>	<u>Description</u>
1*	882475	1	ADG-530 (DSiII) Natural Gas Burner Assembly Complete Less Orifice (includes illus. nos. 1 through 13 and 15 through 24)
	882477	1	ADG-530 (DSiII) Liquid Propane (L.P.) Gas Burner Assembly Complete Less Orifice (includes illus. nos. 1 through 13 and 15 through 24)
2	142502	1	1/2" x 3/4" Street Elbow
3	881372	1	1/2" F.P.T. Straight Shut Off with Tail Piece
4	128927	1	1/2" 24 VAC (Natural Gas) Gas Valve
	880960	1	1/2" 24 VAC Liquid Propane (L.P.) Gas Valve
	140411	1	1/2" Liquid Propane (L.P.) Gas Valve Conversion Kit (Per Basket [Tumbler])
	881119**		Liquid Propane (L.P.) Conversion Kit (includes parts to convert both top and bottom basket [tumbler] to liquid propane [L.P.] gas)
5	353237	1	Notched Double Sided Pipe Bracket
6	141211	1	1/2" Single Port Manifold
7	150300	2	#10 x 1/2" Hex Head TEK Screw
8	353222	1	Manifold Pipe Bracket
9	318009	1	Burner Tube Bracket
10	151001	2	#8 Pal Nut
11	141131	1	Upshot Burner Tube with Spreader (not sold separately)
12	353273	1	Direct Spark Ignition (DSI) Burner Tube Angle Bracket
13	150300	2	#10 x 1/2" Hex Head TEK Screw
14**	140836	1	#10 Burner Orifice (Natural Gas)
	140855	1	#33 Burner Orifice (Liquid Propane [L.P.] Gas)
15	150002	1	#6-32 x 1" Phillips Round Head Machine Screw
16	128917	1	Direct Spark Ignition (DSI) Ignitor with High Voltage (HV) Wire
17	151000	4	#6-32 Pal Nut
18	128918	1	Flame Sensor Probe
19	150315	4	#6 x 3/8" Phillips Head Screw
20	128936	1	Direct Spark Ignition (DSI) Module with Retries (50/60 Hz)
21	121400	3	7/8" Universal Bushings
22	121410	1	1-3/8" Universal Bushings
23	880869	1	Corcom EMI Filter
24	102600	3	Retainer

* Burner orifice *is not included* and **must be** ordered separately.

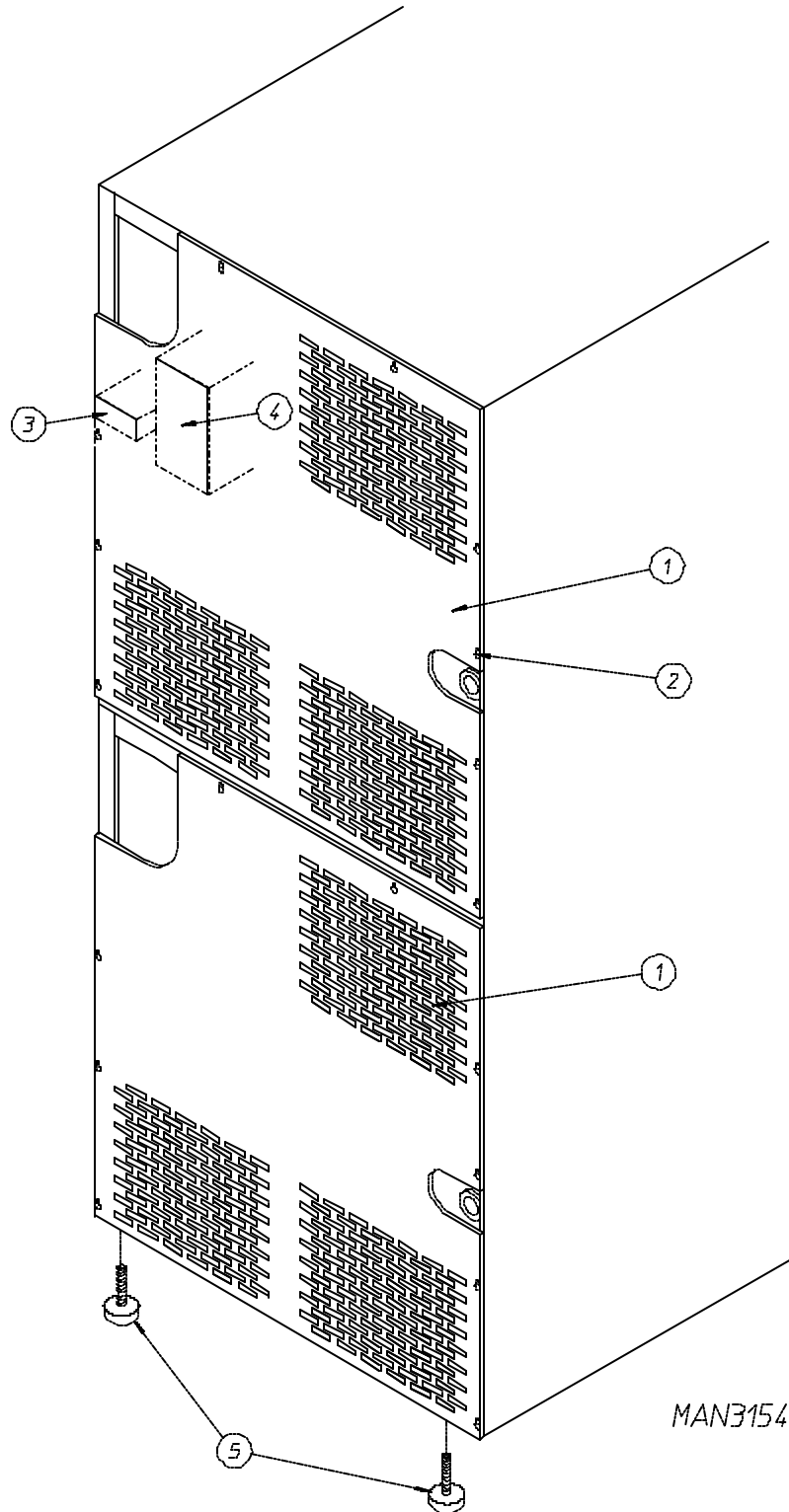
** Consult factory for elevations over 2,000 feet.



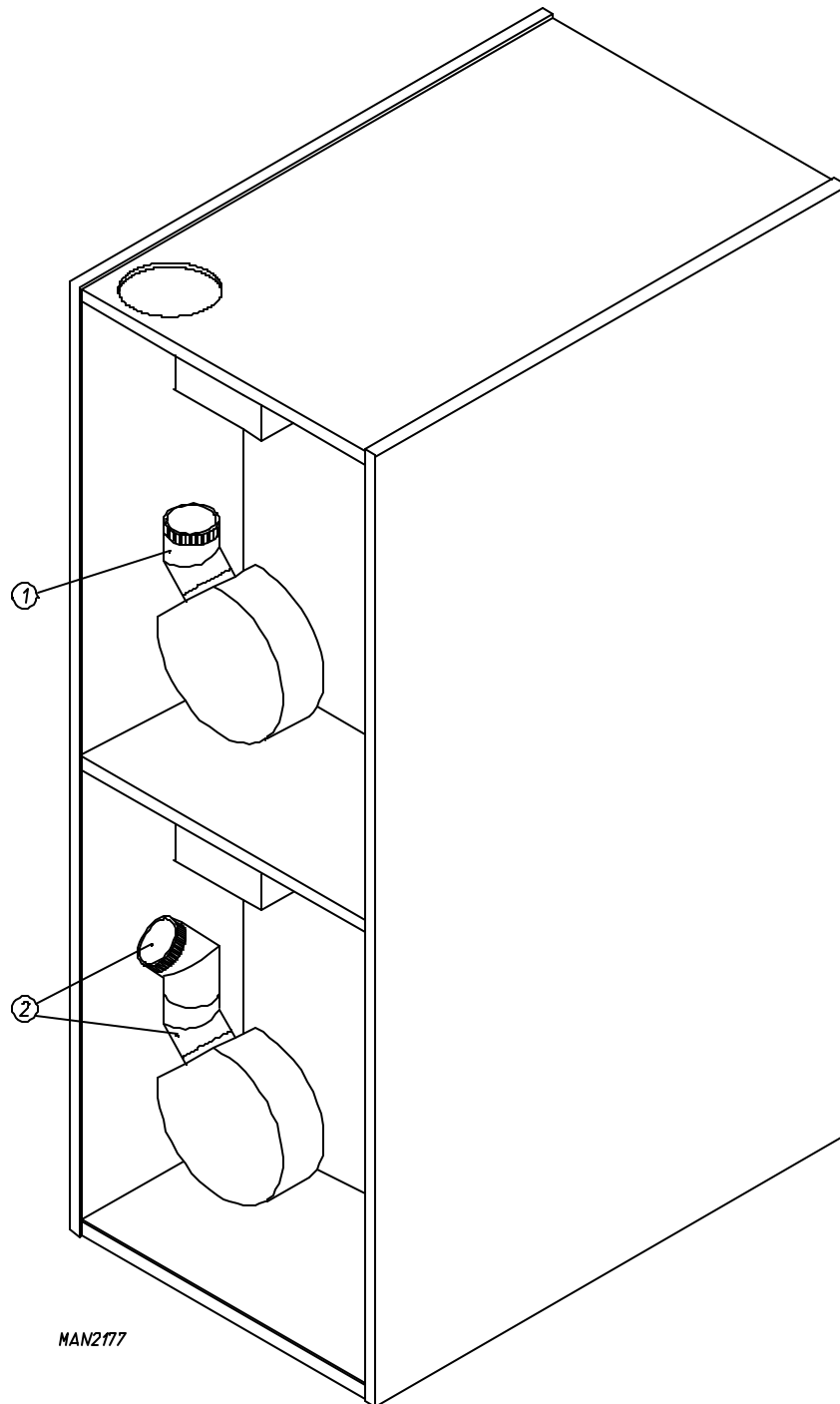
<u>Illus. No.</u>	<u>Part No.</u>	<u>Qty.</u>	<u>Description</u>
1	882482	1	Burner Hood
2	130201	1	330° Manual Reset Hi-Limit Thermostat
3	150300	2	#10 x 1/2" Hex Washer TEK Screw
4	150300	4	#10 x 1/2" Hex Washer TEK Screw
5	102600	1	High Voltage (HV) Wire Clip



<u>Illus. No.</u>	<u>Part No.</u>	<u>Qty.</u>	<u>Description</u>
1	150301	2	#8-18 x 7/16" Phillips Pan Head TEK Screw
2	802800	1	Sail Switch Box with Cover and Bracket ONLY (includes illus. nos. 4 and 8)
	802801	1	Sail Switch Box Assembly Complete (includes illus. nos. 2 through 10)
3	154004	1	Twin Speed Nut
4	150309	2	#10-16 x 1/2" Hex Head TEK Crimptite Screw
5	802709	1	Sail Switch Box Cover and Bracket ONLY
6	122200	1	Sail Switch ONLY
7	150303	2	#4 x 3/4" Pan Head "A" Machine Screw
8	105500	1	Sail Switch Actuator Rod
9	319202	1	Sail Switch Damper (embossed)
10	154002	1	1/8" Push-On Fastener
11	853105	1	Burner Box ONLY



<u>Illus. No.</u>	<u>Part No.</u>	<u>Qty.</u>	<u>Description</u>
1	353147	2	Upper and Lower Back Guard
2	150301	14	8-18 x 7/16" Phillips Pan Head TEK Screw
3	114001	1	"CAUTION - Exhaust/Lint Screen" Label
4	112086	1	"Dual Pocket Installation Instructions" Label
5	103500	4	Leveling Leg



<u>Illus. No.</u>	<u>Part No.</u>	<u>Qty.</u>	<u>Description</u>
1	143536	1	6" x 45° Elbow
2	143536	2	6" x 45° Elbow
-	117505	6	Aluminum Duct Tape (sold by the foot)
-	881373	1	6" x 45° Elbow with 6" Damper

<u>Part No.</u>	<u>Description</u>
112179	<u>ADG-530HS/WDA-530 Installation/Operator's Manual</u>
112533	"Phase 5 Coin Program Location Summary" Label
120903	Closed End Connector (Crimp on Wire Nut)
121026	Tab Receptacle Combination
121495	4" Wire Tie
121500	8" Wire Tie
122804	Manometer (Used to Measure Gas Pressure)
404502	White Brush-In-Cap Bottle Touch-Up Paint
404506	Beige Brush-In-Cap Bottle Touch-Up Paint
404507	Cornflower Blue Brush-In-Cap Bottle Touch-Up Paint
410001	1/2" Allen Wrench (Used to Remove Gas Valve Brass Tail Piece)
881299	Loctite Kit (includes 2 [two] 0.02 oz. tubes of #290 Wicking Loctite)

ADC 450427

1 - 03/09/00-25

2 - 09/12/00-25

3 * 01/11/02-25

