



ML-82 Parts Manual

Phase 7 Microprocessor with F.S.S. Options

American Dryer Corporation
88 Currant Road
Fall River, MA 02720-4781
Telephone: (508) 678-9000 / Fax: (508) 678-9447
E-mail: techsupport@amdry.com

www.amdry.com

Retain This Manual In A Safe Place For Future Reference

American Dryer Corporation products embody advanced concepts in engineering, design, and safety. If this product is properly maintained, it will provide many years of safe, efficient, and trouble free operation.

ONLY qualified technicians should service this equipment.

OBSERVE ALL SAFETY PRECAUTIONS displayed on the equipment or specified in the installation manual included with the dryer.

The following “**FOR YOUR SAFETY**” caution must be posted near the dryer in a prominent location.

FOR YOUR SAFETY

Do not store or use gasoline or other flammable vapors and liquids in the vicinity of this or any other appliance.

POUR VOTRE SÉCURITÉ

Ne pas entreposer ni utiliser d'essence ni d'autres vapeurs ou liquides inflammables à proximité de cet appareil ou de tout autre appareil.

We have tried to make this manual as complete as possible and hope you will find it useful. ADC reserves the right to make changes from time to time, without notice or obligation, in prices, specifications, colors, and material, and to change or discontinue models.

Important

For your convenience, log the following information:

DATE OF PURCHASE _____ MODEL NO. **ML-82**
RESELLER'S NAME _____
Serial Number(s) _____

Replacement parts can be obtained from your reseller or the ADC factory. When ordering replacement parts from the factory, you can FAX your order to ADC at (508) 678-9447 or telephone your order directly to the ADC Parts Department at (508) 678-9000. Please specify the dryer model number and serial number in addition to the description and part number, so that your order is processed accurately and promptly.

The illustrations on the following pages may not depict your particular dryer exactly. The illustrations are a composite of the various dryer models. Be sure to check the descriptions of the parts thoroughly before ordering.

“IMPORTANT NOTE TO PURCHASER”

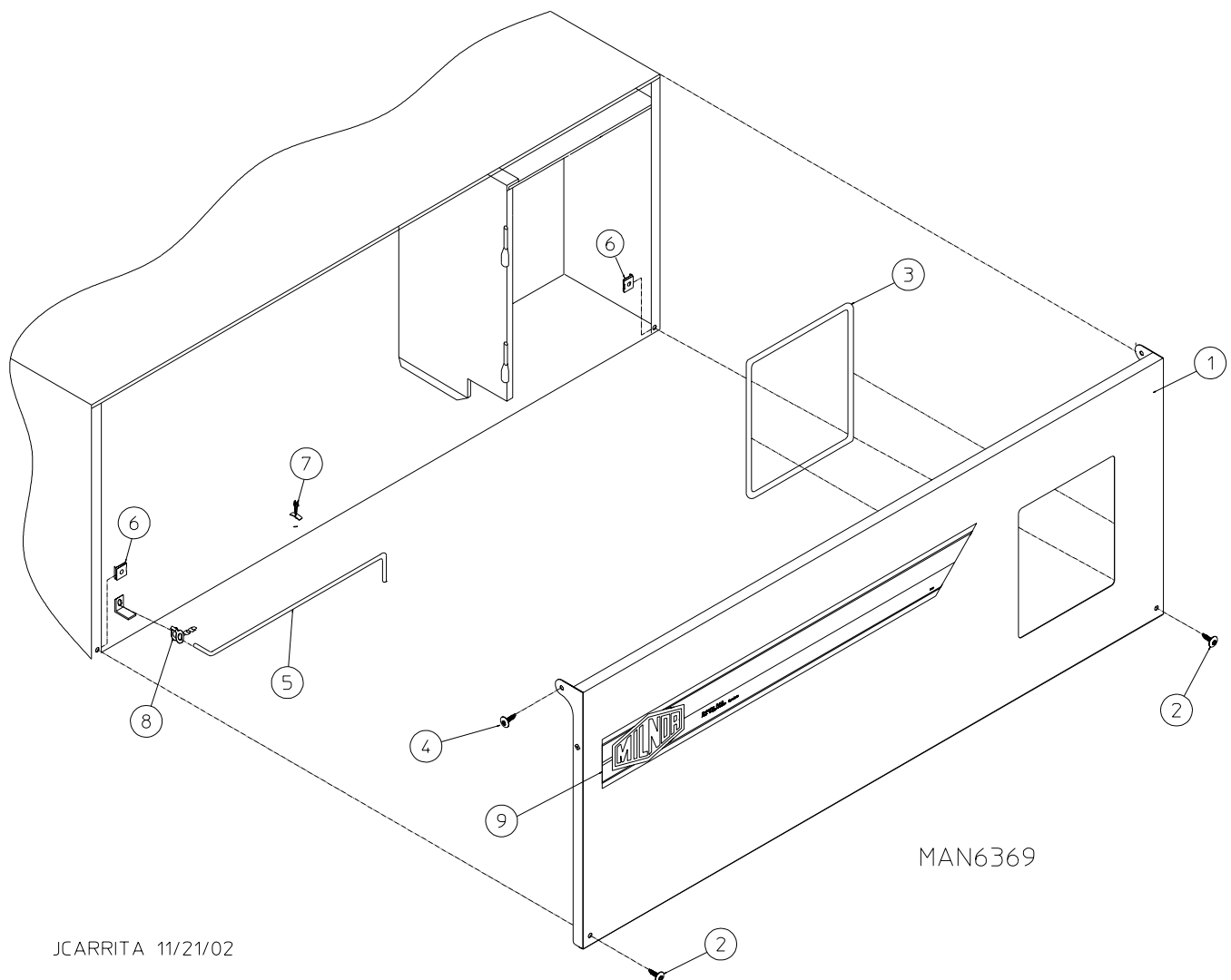
Information must be obtained from your local gas supplier on the instructions to be followed if the user smells gas. These instructions must be posted in a prominent location near the dryer.

Table of Contents

| | |
|---|----|
| Phase 7 Non-Coin Microprocessor Control Door Assembly for Models Mfd. as of July 10, 2002 | 4 |
| Control Door Assembly for Models Mfd. between September 24, 2001 and July 9, 2002 | 5 |
| Control Door Assembly for Models Mfd. prior to September 24, 2001 | 6 |
| Phase 7 Non-Coin Microprocessor Control Panel Assembly | 7 |
| Phase 7 Non-Coin Microprocessor Control Box Assembly | 8 |
| Front Panel / Main Door Assemblies | 9 |
| Main Door Switch Assembly | 10 |
| Front Panel Assembly | 11 |
| Lint Drawer / Lint Drawer Switch Assemblies | 12 |
| Sensor Bracket Assembly | 13 |
| Tumbler / Support Assemblies | 14 |
| Tumbler Bearing Assembly for Models Mfd. with Griplock Type Bearings | 15 |
| Tumbler Bearing Assembly for Models Mfd. without Griplock Type Bearings | 16 |
| Idler Bearing Assembly | 17 |
| Reversing T.E.F.C. Motor Mount Assembly | 18 |
| Direct Spark Ignition Burner Assembly | 20 |
| Hot Surface Ignition Burner Assembly | 22 |
| Sail Switch Assembly | 24 |
| 208-240V Reversing Relay Panel Assembly for Models Mfd. as of January 23, 2003 | 25 |
| 460-480V Reversing Relay Panel Assembly for Models Mfd. as of January 23, 2003 | 26 |
| 208-240V Reversing Relay Panel Assembly for Models Mfd. prior to January 23, 2003 | 27 |
| 460-480V Reversing Relay Panel Assembly for Models Mfd. prior to January 23, 2003 | 28 |
| Air-Operated Steam Damper Assembly | 29 |
| Fire Suppression System Assemblies | 30 |
| Outer Top / Back Guard Assemblies | 31 |
| Additional Parts Available | 32 |

Phase 7 Non-Coin Microprocessor Control Door Assembly

For Models Mfd. as of July 10, 2002



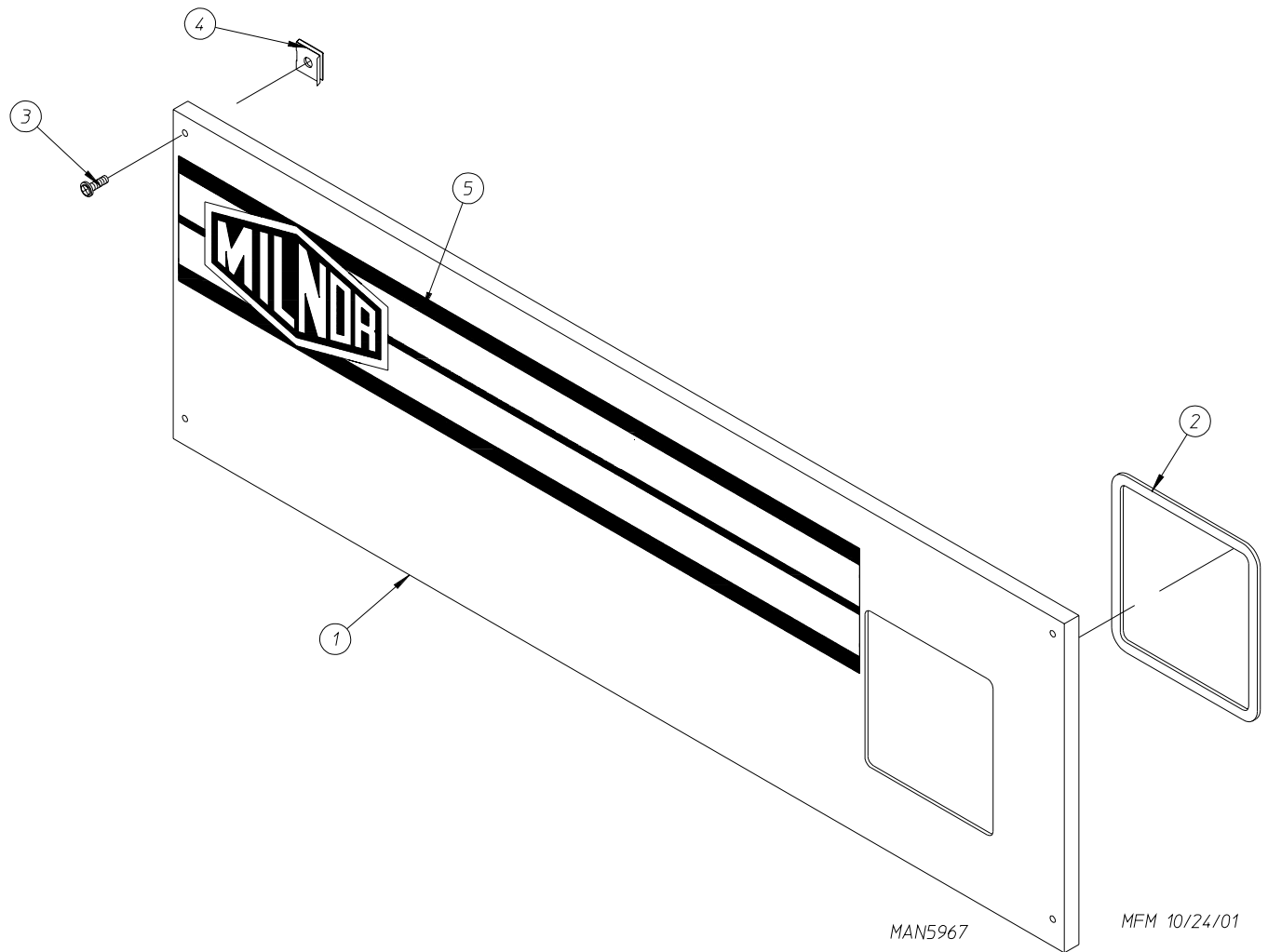
JCARRITA 11/21/02

| Illus. No. | Part No. | Qty. | Description |
|------------|----------|------|---|
| 1 | 883576 | 1 | Non-Coin Control Door (includes illus. nos. 1 and 3) |
| 2 | 150321 | 2 | #10-32 x 1/2" Phillips Machine Screw |
| 3 | 117604 | 4 | Noise Suppressor Tape (sold by the foot) |
| 4 | 150317 | 2 | #10-16 x 3/4" TORX PLUS® Btn, Type 1 |
| 5 | 102503 | 1 | Control Door Support Rod |
| 6 | 154011 | 2 | #10-32 Multi-Thread U-Nut |
| 7 | 102603 | 1 | Control Door Rod Support Latch |
| 8 | 102601 | 1 | Control Door Rod Retainer Clip |
| 9 | _____* | 1 | Logo ONLY |

* Contact reseller for logo.

Control Door Assembly

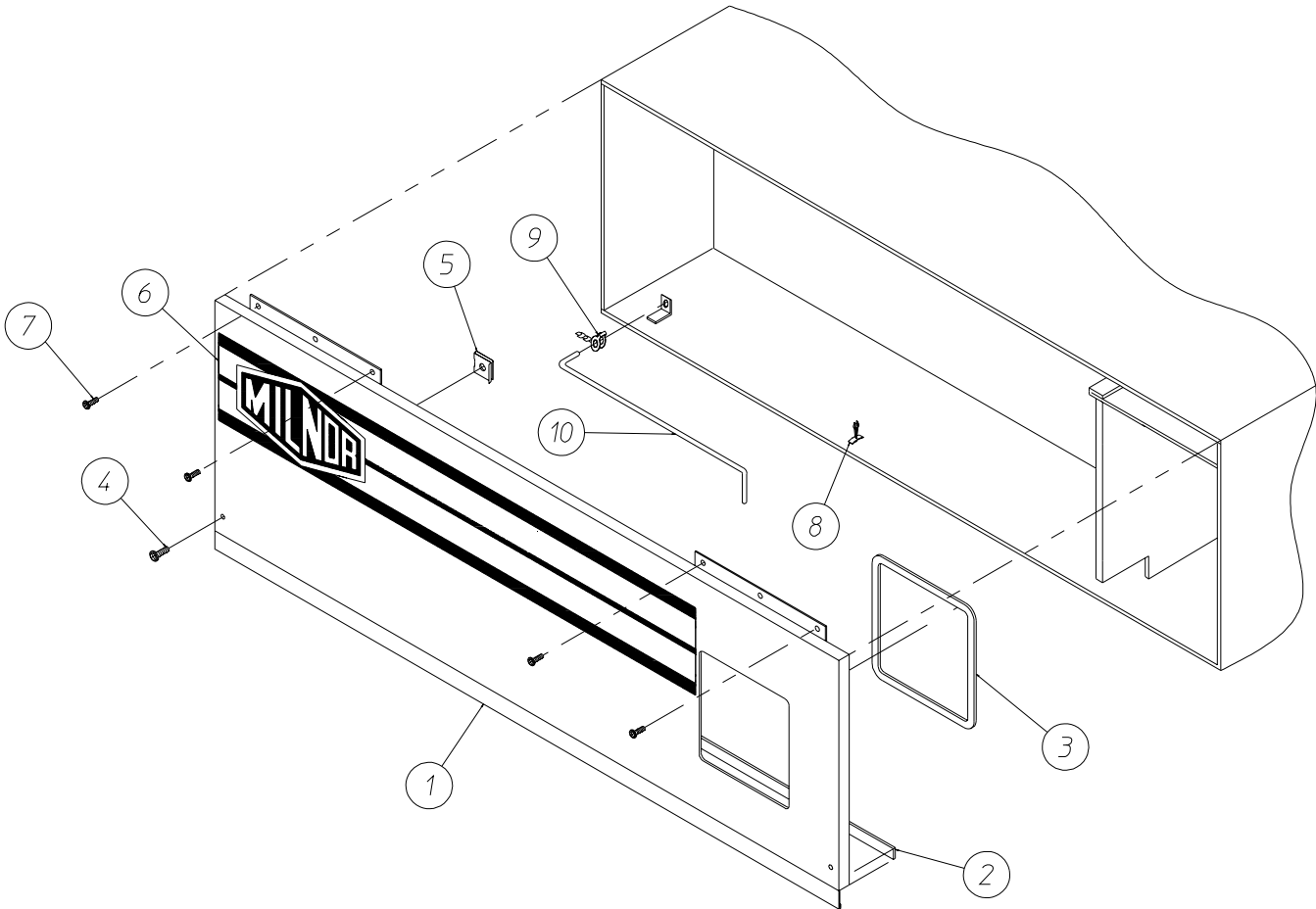
For Models Mfd. between September 24, 2001 and July 9, 2002



| <u>Illus. No.</u> | <u>Part No.</u> | <u>Qty.</u> | <u>Description</u> |
|-------------------|-----------------|-------------|--|
| 1 | 824254 | 1 | Phase 7 Control Door without Hinge (includes illus. nos. 1 and 2) |
| 2 | 117604 | 2 | Noise Suppressor Tape (sold by the foot) |
| 3 | 150314 | 4 | #10-32 x 1/2" TORX® Screw |
| 4 | 154011 | 4 | #10-32 Multi-Thread U-Nut |
| 5 | 112366 | 1 | Milnor Logo |

Control Door Assembly

For Models Mfd. prior to September 24, 2001

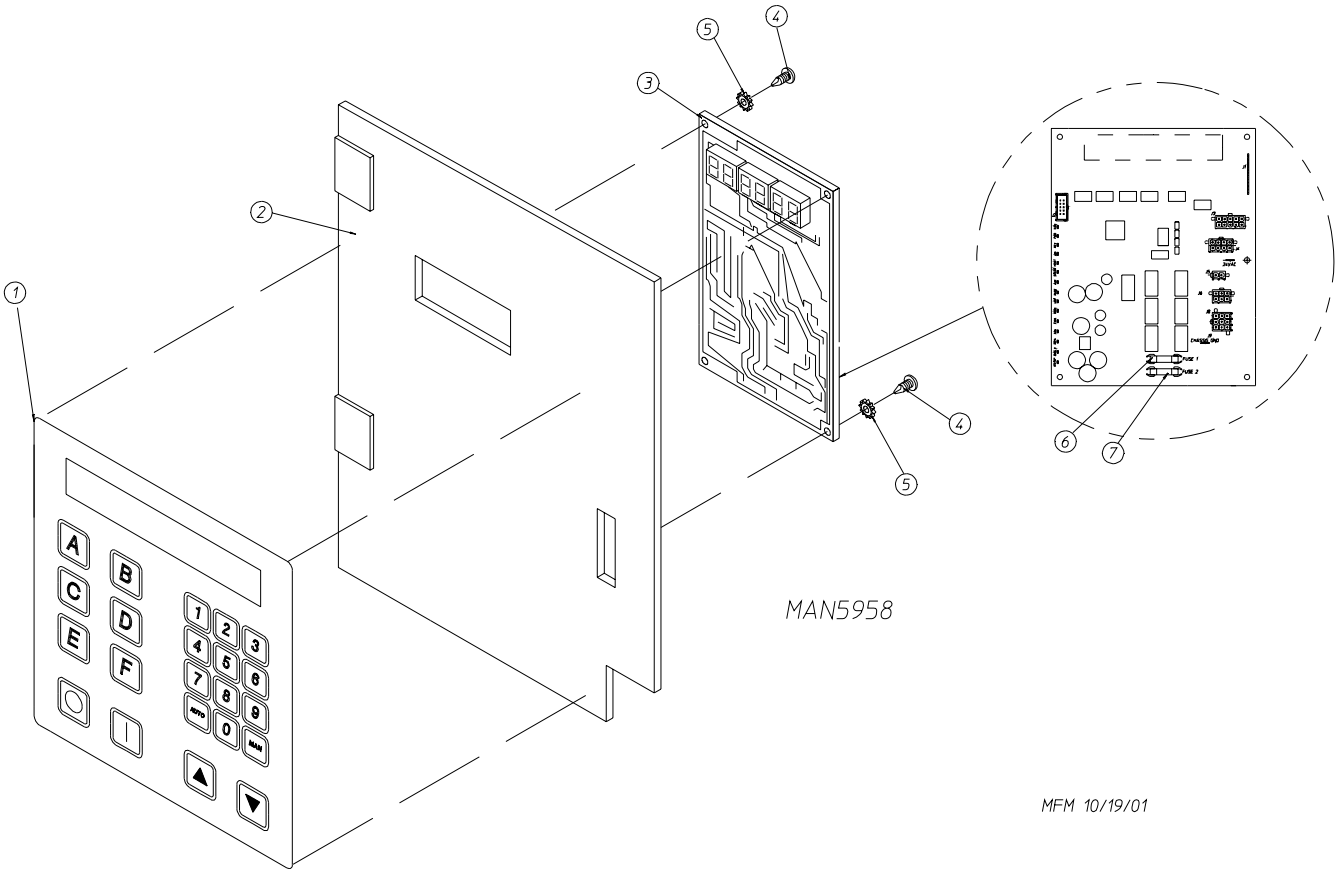


MAN5970

MFM 11/16/01

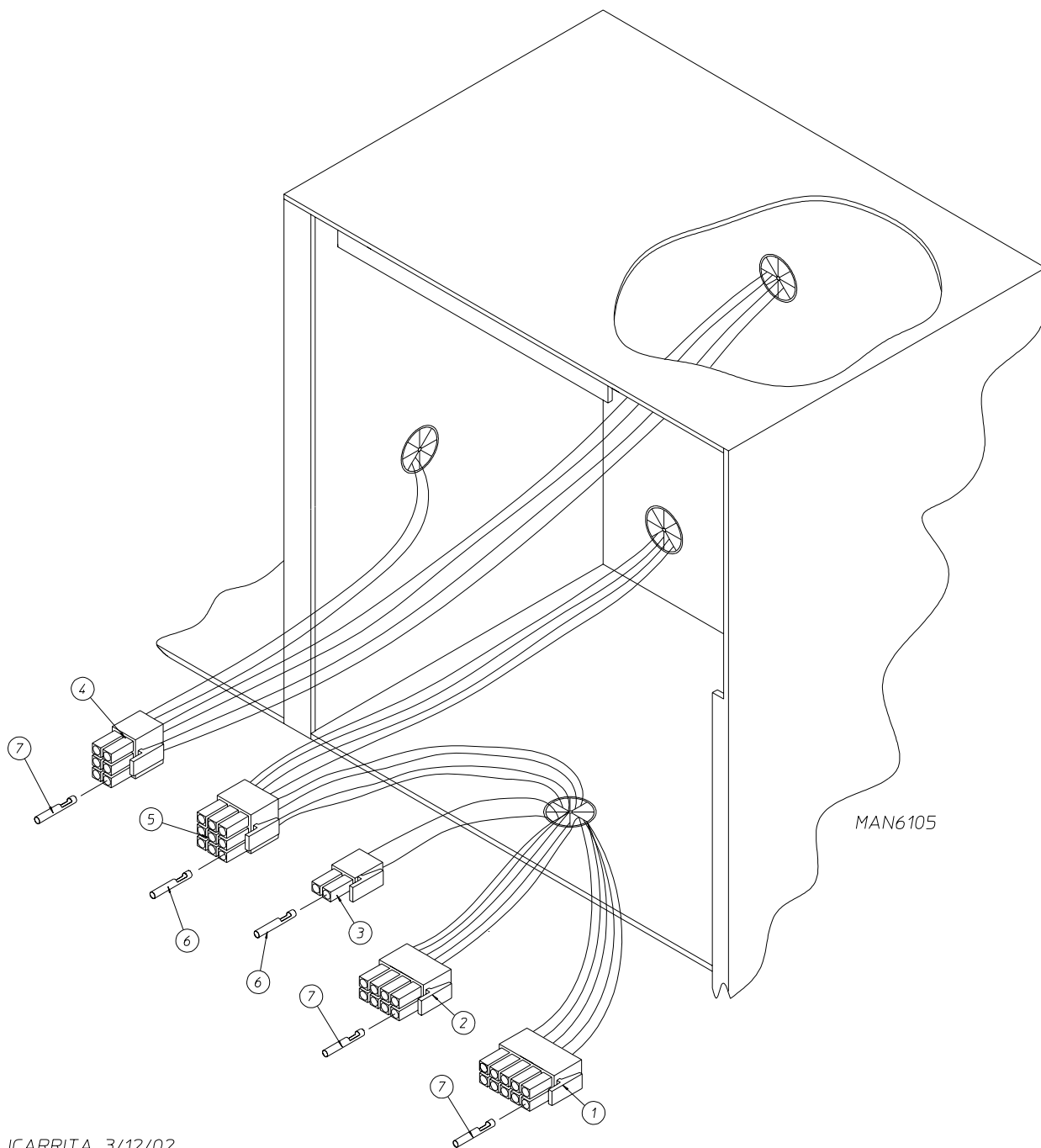
| Illus. No. | Part No. | Qty. | Description |
|------------|----------|------|---|
| 1 | 850978 | 1 | Control Door (includes illus. nos. 2 and 3) |
| 2 | 117603 | 2 | 1/8" x 9/16" Noise Suppressor Tape (sold by the foot) |
| 3 | 117604 | 4 | Noise Suppressor Tape (sold by the foot) |
| 4 | 150314 | 2 | #10-32 x 1/2" TORX® Screw |
| 5 | 154011 | 2 | #10-32 Multi-Thread U-Nut |
| 6 | 112366 | 1 | Logo ONLY |
| 7 | 150309 | 4 | #10-16 x 1/2" Hex Head TEK Crimptite Screw |
| 8 | 102603 | 1 | Control Door Rod Support Catch |
| 9 | 102601 | 1 | Control Door Retainer Clip |
| 10 | 102502 | 1 | Control Door Rod |

Phase 7 Non-Coin Microprocessor Control Panel Assembly



| <u>Illus. No.</u> | <u>Part No.</u> | <u>Qty.</u> | <u>Description</u> |
|-------------------|-----------------|-------------|---|
| 1 | 112571 | 1 | Phase 7 Non-Coin Keypad |
| 2 | 850984 | 1 | Phase 7 Non-Coin Microprocessor Controller (computer) Panel ONLY |
| | 883749 | 1 | Phase 7 Non-Coin Reversing Microprocessor Controller (computer) Control Panel Assembly Complete with Fire Suppression System (includes illus. nos. 1 through 7) |
| 3 | 887004 | 1 | Phase 7.2.2 Board with Fire Suppression System and H ₂ O (pressure) Switch (for models mfd. as of December 3, 2003) |
| | 887001 | 1 | Phase 7.2.1 to .2 Board with Fire Suppression System and No H ₂ O (pressure) Switch (for models mfd. prior to December 3, 2003) |
| | 887024 | 1 | Phase 7.2.2 Board without Fire Suppression System and H ₂ O (pressure) Switch |
| 4 | 150005 | 2 | #6-32 x 3/4" Phillips Round Head Machine Screw |
| 5 | 153010 | 2 | #6 Star Washer |
| 6 | 136097 | 1 | 500-mA Fuse |
| 7 | 136016 | 1 | 5-Amp Fuse |

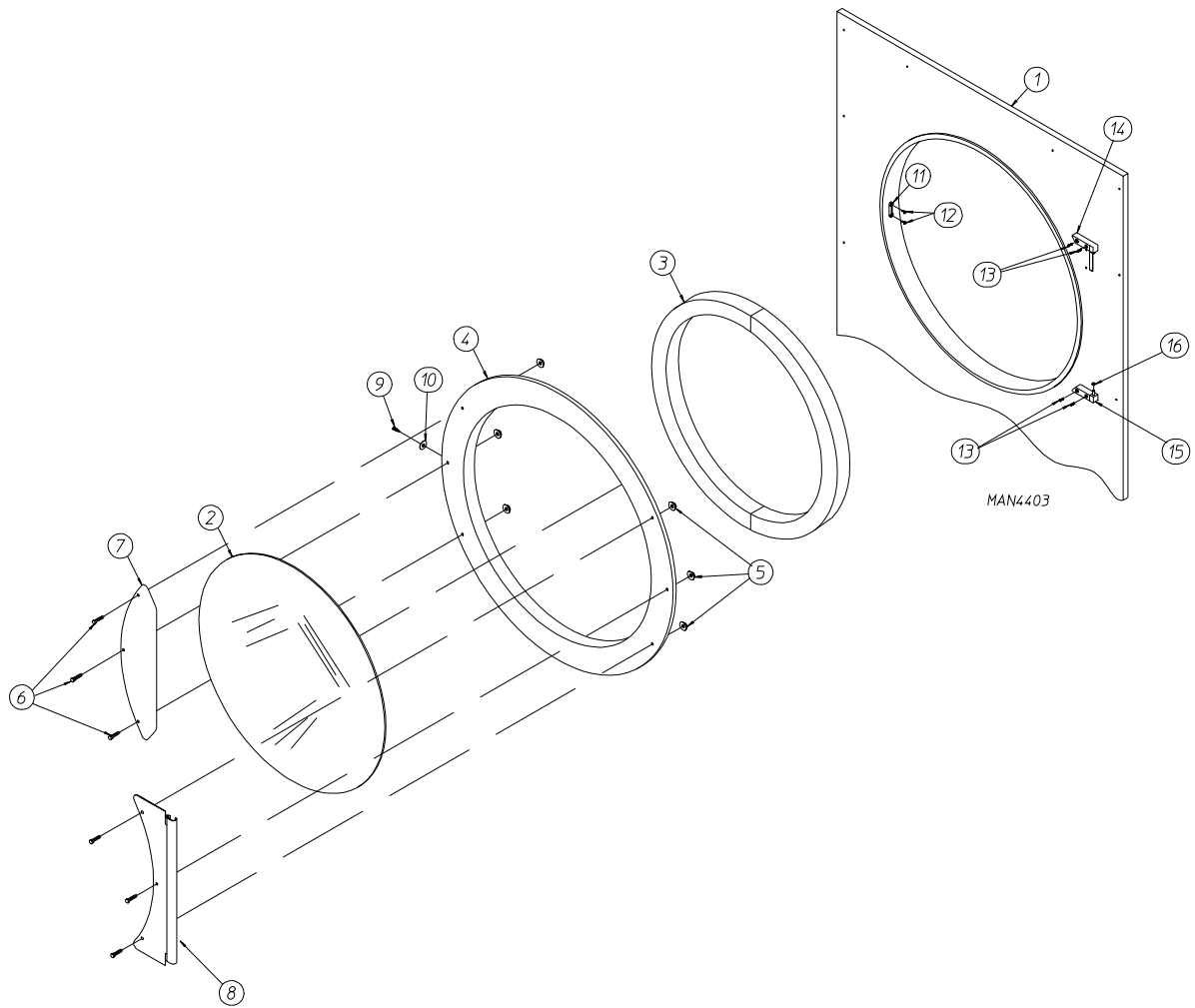
Phase 7 Non-Coin Microprocessor Control Box Assembly



JCARRITA 3/12/02

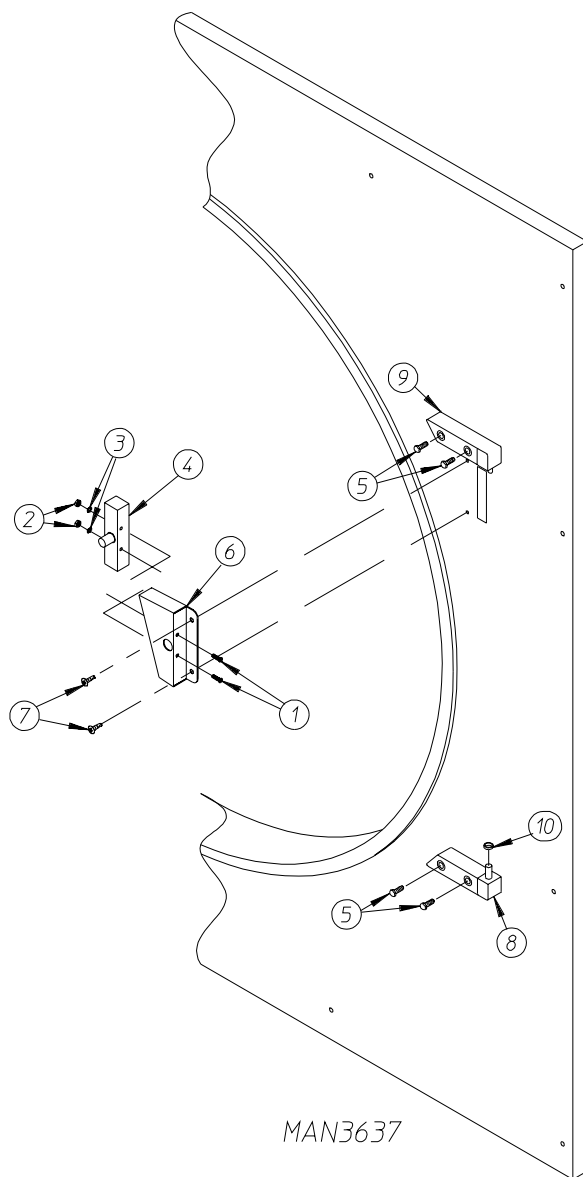
| Illus. No. | Part No. | Qty. | Description |
|------------|----------|------|------------------------|
| 1 | 122681 | 1 | 10-Pin Connector |
| 2 | 122676 | 1 | 8-Pin Connector |
| 3 | 122646 | 1 | 2-Pin Connector |
| 4 | 122683 | 1 | 6-Pin Connector |
| 5 | 122640 | 1 | 9-Pin Connector |
| 6 | 122706 | * | #20-16 U.M.N.L. Socket |
| 7 | 122669 | * | Female Crimp Terminal |

* As needed.

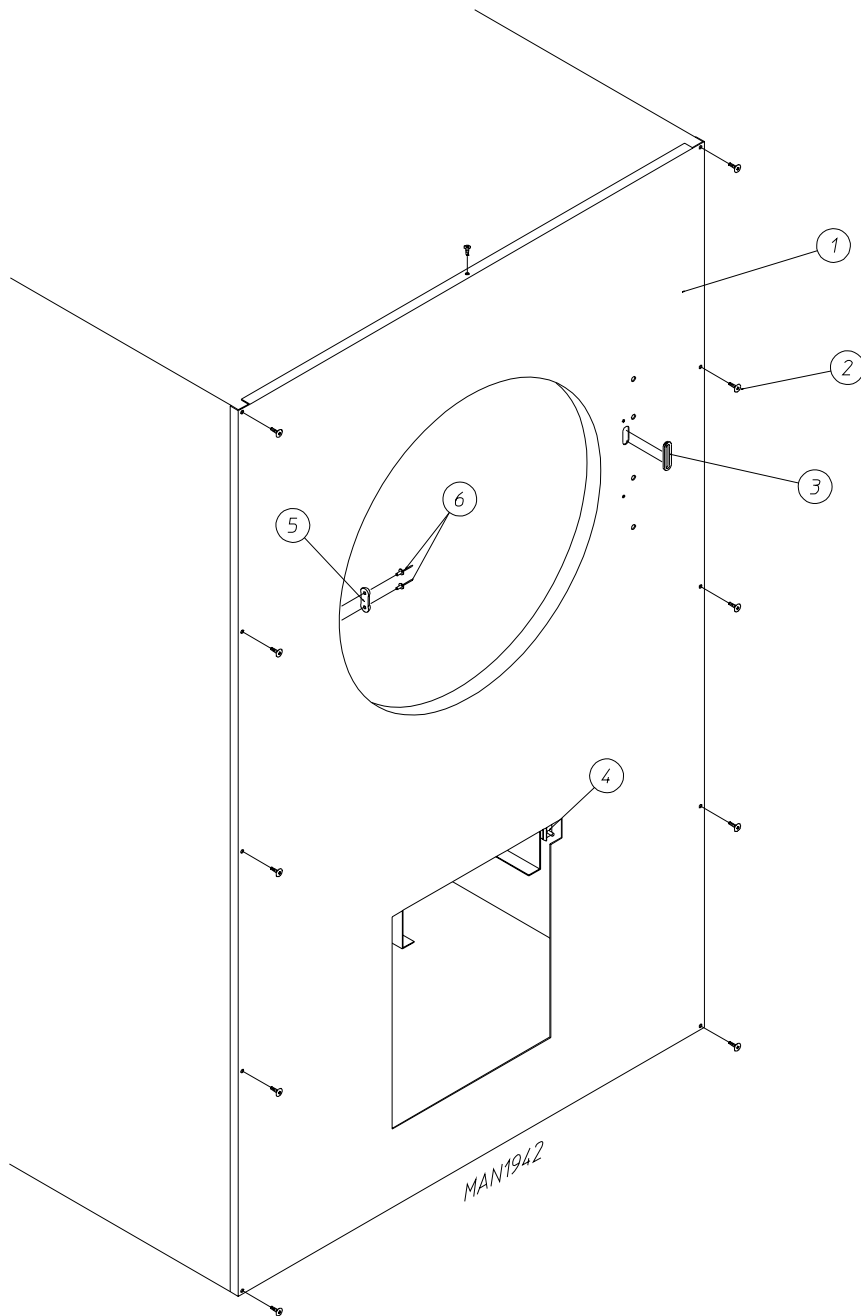


| Illus. No. | Part No. | Qty. | Description |
|------------|----------|------|--|
| 1 | — | 1 | Front Panel (refer to Front Panel Assembly on page 11) |
| 2 | 102214 | 1 | 30" Door Glass ONLY |
| | 170730 | 1 | Door / Glass Adhesive (10.3 oz. cartridge) ... Not Illustrated |
| 3 | 882411 | 1 | Main Door Gasket ONLY (7/8" x 7/8" x 104") |
| 4 | 835003 | 1 | Main Door Assembly Complete (includes illus. nos. 2 through 10) |
| | 835002 | 1 | Main Door Ring |
| 5 | 881806 | 6 | Free Spin Wash Nut |
| 6 | 881740 | 6 | 1/4-20 x 5/8" Carriage Bolt |
| 7 | 881688 | 1 | Cold Rolled Steel Main Door Handle |
| 8 | 881685 | 1 | Main Door Hinge |
| 9 | 150120 | 1 | Main Door Latch Screw (#10-32 x 7/16" dome hex head screw) |
| 10 | 152008 | 1 | #10-32 Hex Nut |
| 11 | 170330 | 1 | Friction Door Catch |
| 12 | 154215 | 2 | 5/32" Pop Rivet |
| 13 | 150445 | 4 | 1/4-20 x 3/4" Black Cap Head Screw |
| 14 | 881440 | 1 | White Top Hinge Block (includes illus. nos. 13 and 14) |
| 15 | 881441 | 1 | White Bottom Hinge Block (includes illus. nos. 13, 15, and 16) |
| 16 | 153031 | 1 | Nylon Washer |

Main Door Switch Assembly

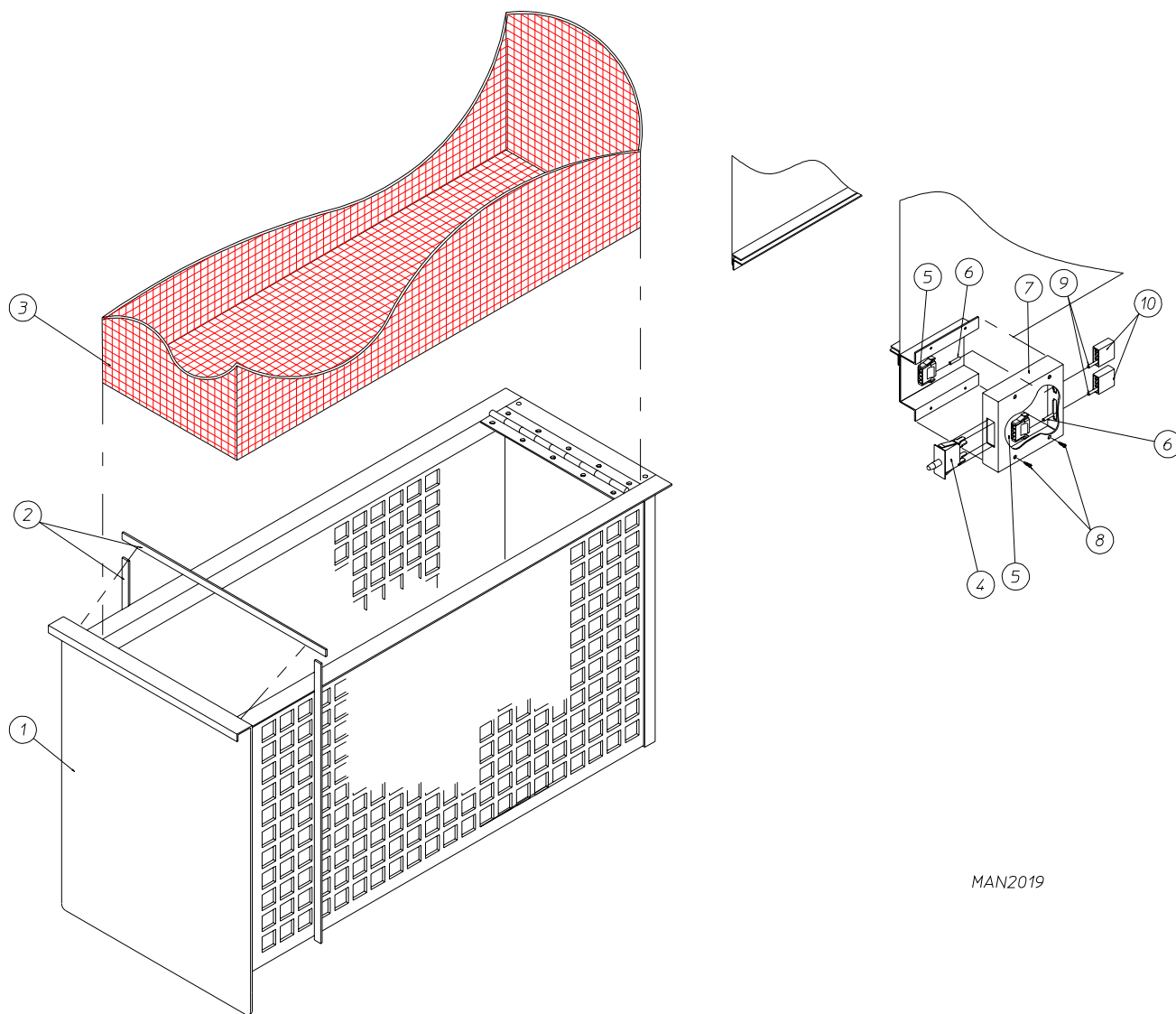


| <u>Illus. No.</u> | <u>Part No.</u> | <u>Qty.</u> | <u>Description</u> |
|-------------------|-----------------|-------------|--|
| 1 | 150006 | 2 | #6-32 x 7/8" Phillips Pan Head Machine Screw |
| 2 | 152013 | 2 | #6-32 Hex Nut |
| 3 | 153010 | 2 | #6 Star Washer |
| 4 | 137005 | 1 | Single-Pole Door Switch |
| 5 | 150445 | 4 | 1/4-20 x 3/4" Black Cap Head Screw |
| 6 | 881687 | 1 | Main Door Switch Housing ONLY |
| | 881702 | 1 | Main Door Switch with Housing Assembly (includes illus. nos. 1 through 4 and 6) |
| 7 | 150301 | 2 | #8-18 x 7/16" Phillips Pan Head TEK Screw |
| 8 | 881441 | 1 | White Bottom Hinge Block (includes illus. nos. 5, 8, and 10) |
| 9 | 881440 | 1 | White Top Hinge Block (includes illus. nos. 5 and 9) |
| 10 | 153031 | 1 | Nylon Washer |



| <u>Illus. No.</u> | <u>Part No.</u> | <u>Qty.</u> | <u>Description</u> |
|-------------------|-----------------|-------------|--|
| 1 | 883703 | 1 | Front Panel Assembly (includes illus. nos. 1, 5, and 6) |
| 2 | 150309 | 9 | #10-16 x 1/2" Hex Head TEK Crimptite Screw |
| 3 | 121405 | 1 | Rubber Grommet |
| 4 | — | 1 | Lint Drawer Switch (refer to Lint Screen / Lint Drawer Switch Assemblies on page 12) |
| 5 | 170330 | 1 | Friction Door Latch |
| 6 | 154215 | 2 | 5/32" Pop Rivet |

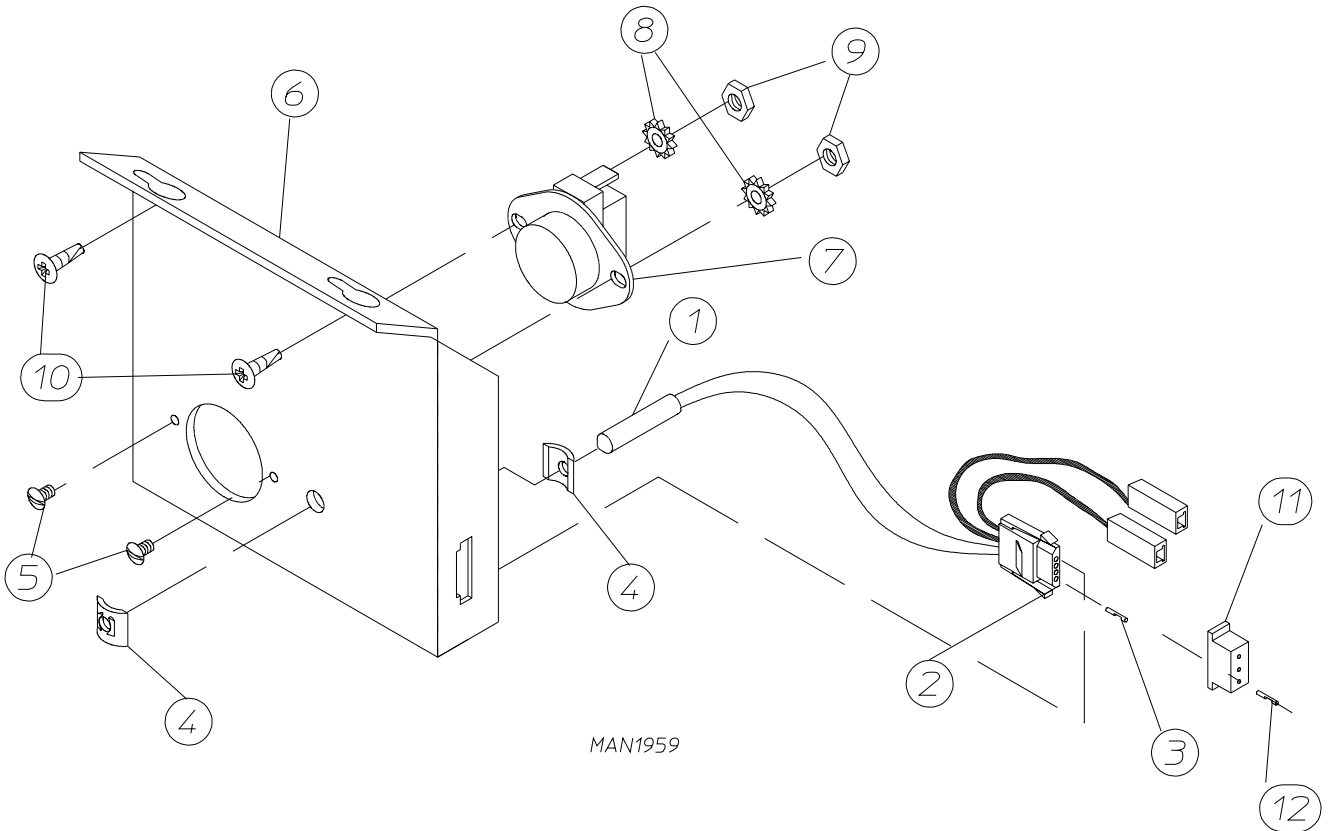
Lint Drawer / Lint Drawer Switch Assemblies



MAN2019

| Illus. No. | Part No. | Qty. | Description |
|------------|----------|------|---|
| 1 | 883503* | 1 | Lint Drawer Assembly (includes illus. nos. 1 and 2) |
| 2 | 117605 | 5 | Gasket (sold by the foot) |
| 3 | 802205 | 1 | Lint Screen Assembly |
| 4 | 122116 | 1 | Lint Drawer Switch |
| 5 | 122605 | 2 | 4-Pin Connector (female) |
| 6 | 122701 | 4 | Socket Terminal ONLY |
| | 122801 | 1 | Socket / Pin Extraction Tool ... Not Illustrated |
| 7 | 800478 | 1 | Lint Drawer Switch Box Assembly (includes illus. nos. 4 through 7) |
| | 304135 | 1 | Lint Drawer Switch Box ONLY |
| 8 | 150301 | 2 | #8-18 x 7/16" Phillips Pan Head TEK Screw |
| 9 | 122700 | 4 | Pin Terminal ONLY |
| 10 | 122604 | 2 | 4-Pin Connector (male) |

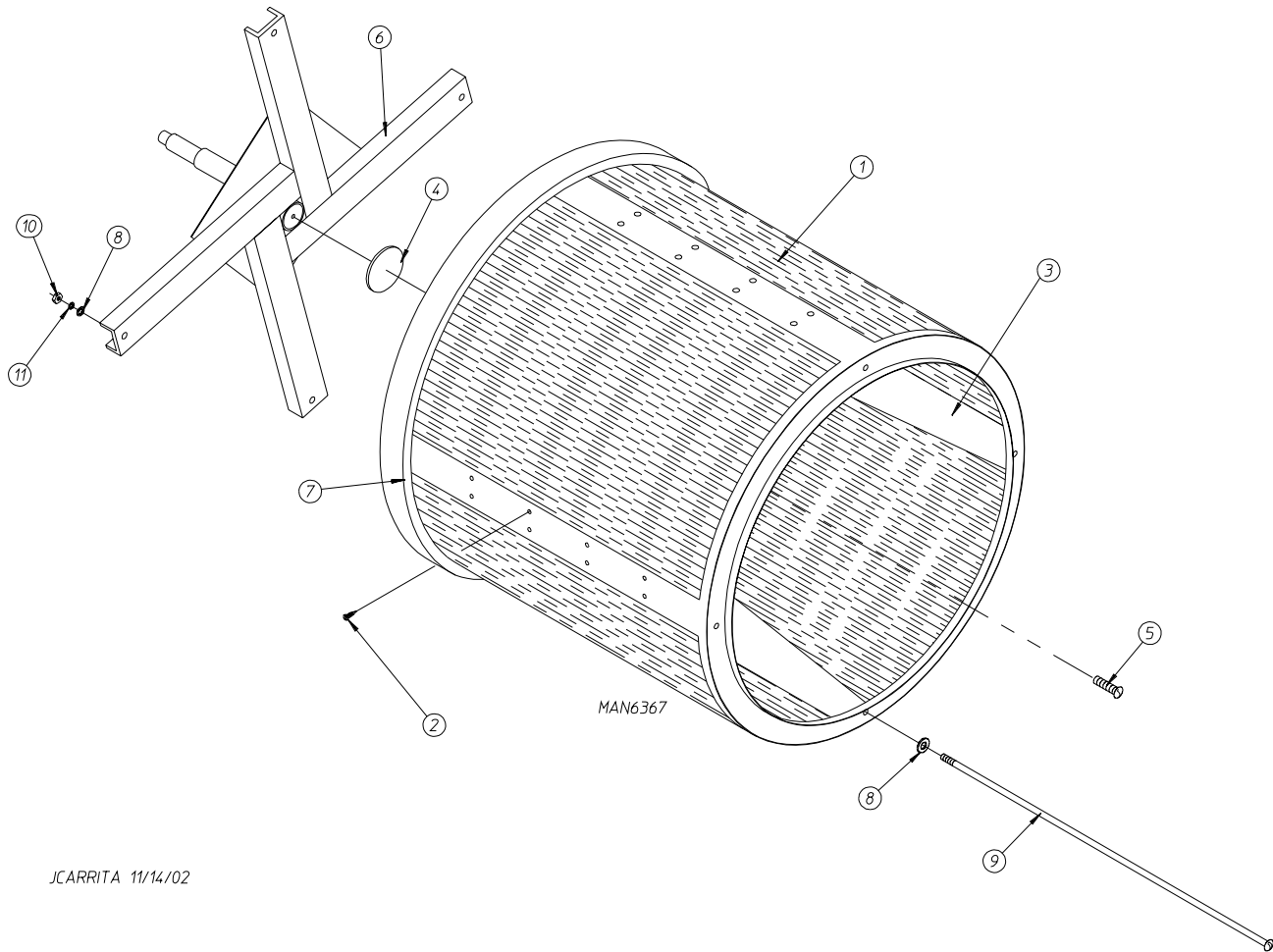
* Specify color when ordering.



MAN1959

| <u>Illus. No.</u> | <u>Part No.</u> | <u>Qty.</u> | <u>Description</u> |
|-------------------|-----------------|-------------|--|
| 1 | 880251 | 1 | 1/4" Temperature Sensor Probe Assembly (includes illus. nos. 1 through 4) |
| 2 | 122605 | 1 | 4-Pin Connector (female) |
| 3 | 122701 | 4 | Socket Terminal ONLY |
| 4 | 154007 | 2 | 1/4" Tinnerman Push-On Fastener |
| 5 | 150005 | 2 | #6-32 x 1/4" Phillips Head Machine Screw |
| 6 | 802174 | 1 | Sensor Bracket Assembly Complete (includes illus. nos. 1 through 9) |
| | 323626 | 1 | Temperature Sensor Bracket ONLY |
| 7 | 130103 | 1 | 225° Automatic Reset Thermostat |
| 8 | 153010 | 2 | #6 Star Washer |
| 9 | 152000 | 2 | #6-32 Hex Nut |
| 10 | 150301 | 2 | #8-18 x 7/16" Phillips Pan Head TEK Screw |
| 11 | 122604 | 1 | 4-Pin Connector (male) |
| 12 | 122700 | 4 | Pin Terminal ONLY |
| | 122801 | 1 | Socket / Pin Extraction Tool ... Not Illustrated |

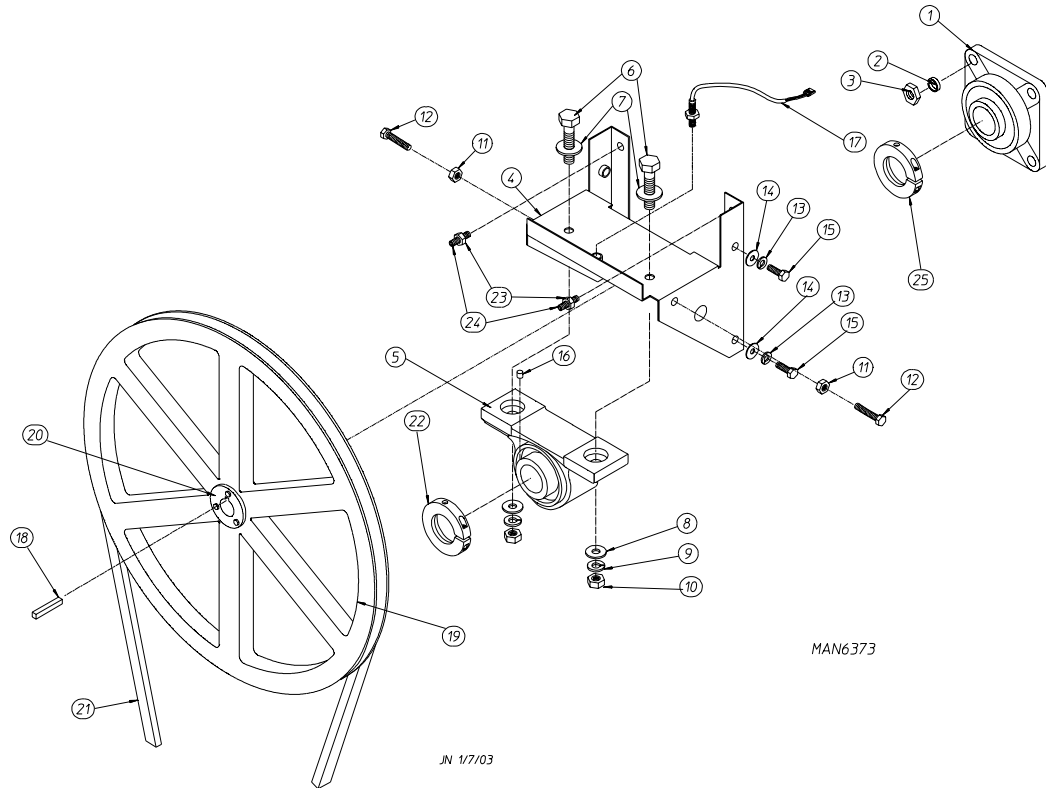
Tumbler / Support Assemblies



| Illus. No. | Part No. | Qty. | Description |
|------------|----------|------|---|
| 1 | 881780 | 1 | Tumbler ONLY |
| | 881782 | 1 | 1-3/4" Reversing Tumbler / Support Assembly Complete (includes illus. nos. 1 through 12) |
| 2 | 150313 | 40 | #10-16 x 1/2" TORX® Head CrimpTite Screw |
| | 150429 | 1 | TORX® Hand Driver (for removal of TORX® head screw) ... Not Illustrated |
| 3 | 390074 | 4 | Tumbler Rib ONLY |
| 4 | 115986 | 1 | 1/4" x 2" Felt Tumbler Pad (for models mfd. as of January 22, 2002) |
| | 153002 | 1 | 5/16" Lock Washer (for models mfd. prior to January 22, 2002) |
| 5 | 150500 | 1 | 5/16-18 x 3/4" Socket Button Head Screw |
| 6 | 881779 | 1 | Tumbler Support ONLY |
| 7 | 116000 | 1 | Felt Collar ONLY |
| | 401010 | 1 | #847 Adhesive for Felt Collar (5 oz. tube) ... Not Illustrated |
| 8 | 153004 | 8 | 3/8" Flat Washer |
| 9 | 100905 | 4 | 3/8-16 x 37" Tie Rod |
| 10 | 152027 | 4 | 3/8-16 Hex Nut |
| 11 | 153005 | 4 | 3/8" Lock Washer |

Tumbler Bearing Assembly

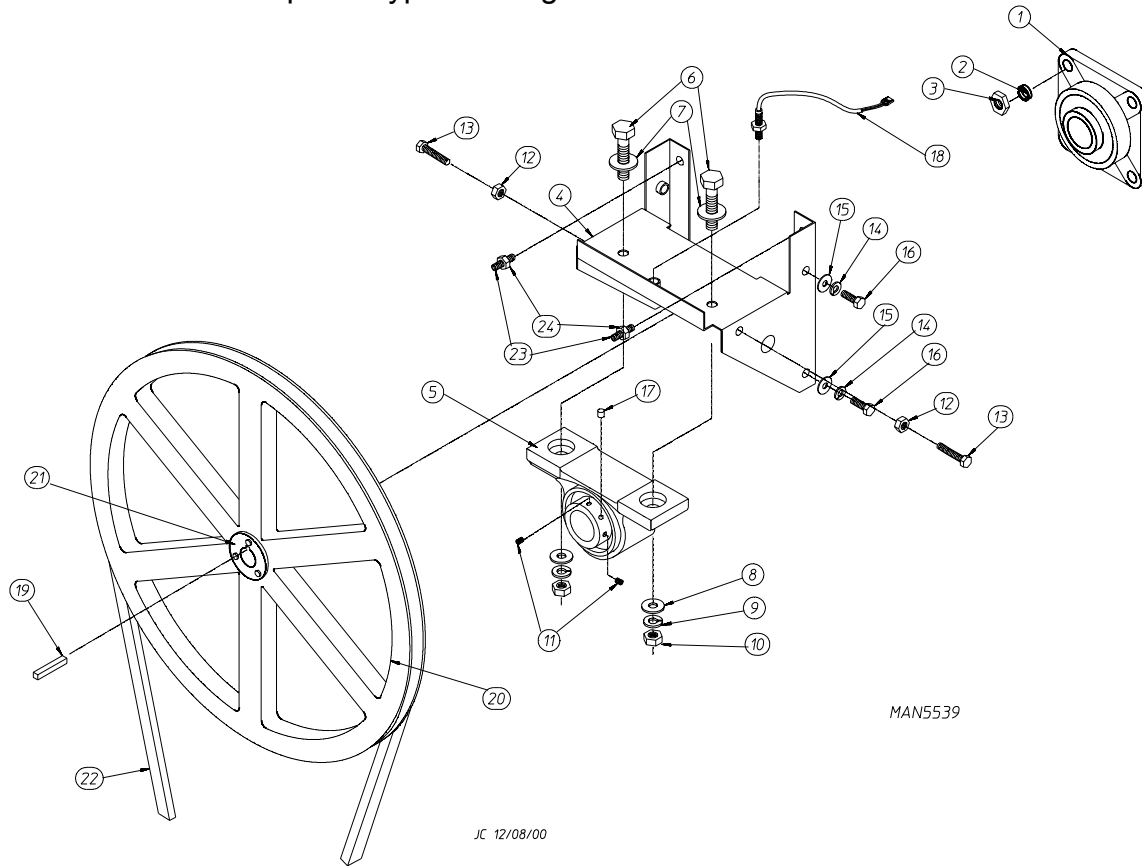
For Models Mfd. with Griplock Type Bearings



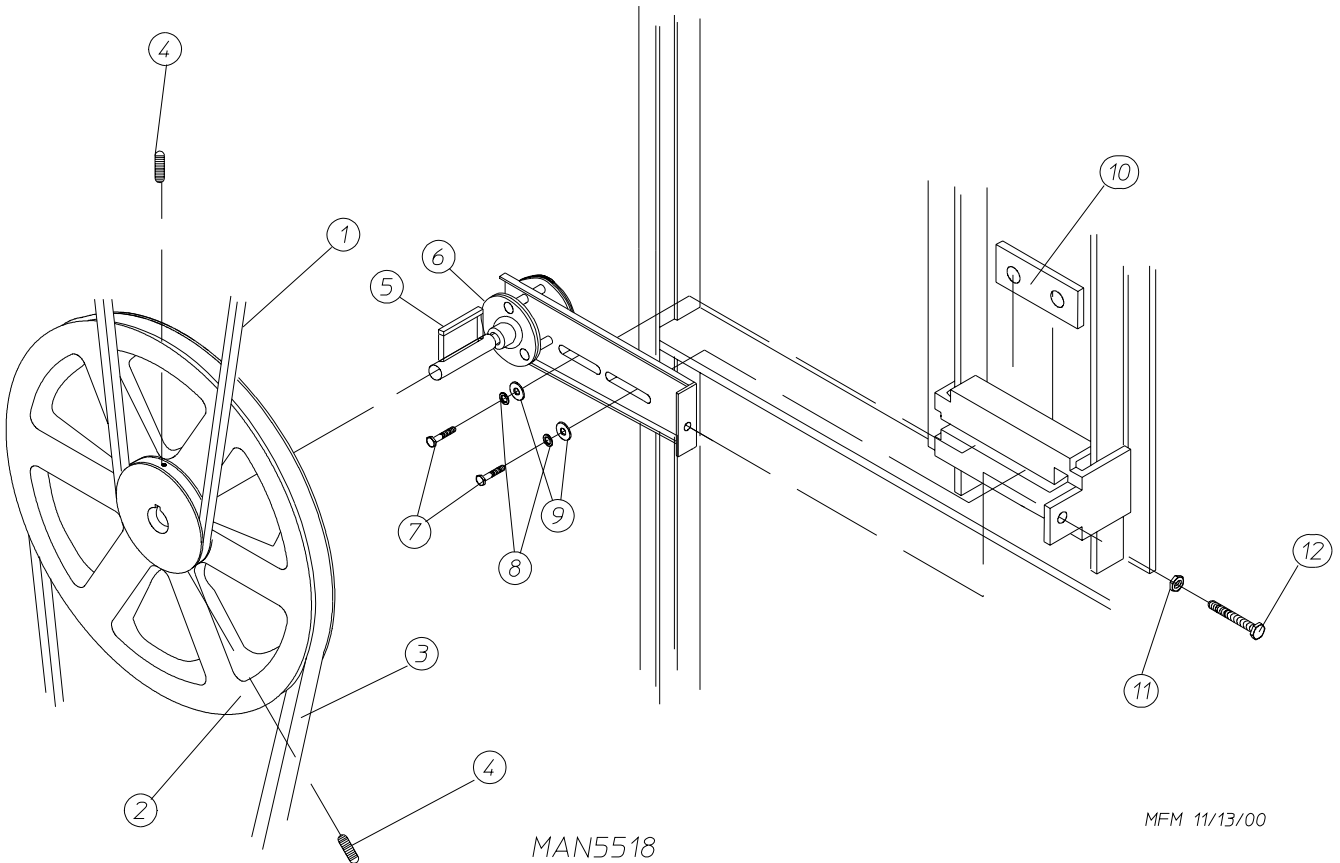
| Illus. No. | Part No. | Qty. | Description |
|------------|----------|------|--|
| 1 | 883735 | 1 | 1-3/4" Flange Bearing (griplock) |
| 2 | 153025 | 4 | 9/16" Lock Washer |
| 3 | 152050 | 4 | 9/16-12 Hex Nut |
| 4 | 883736 | 1 | Pillow Block Bearing Assembly Complete with Rotational Sensor (includes illus. nos. 4 through 17) |
| | 800982 | 1 | Pillow Block Bearing Platform ONLY (for rotational sensor models) |
| 5 | 883710 | 1 | 1-3/8" Pillow Block Bearing |
| 6 | 150601 | 2 | 3/8-16 x 2" Hex Bolt |
| 7 | 153004 | 2 | 3/8" Flat Washer |
| 8 | 153004 | 2 | 3/8" Flat Washer |
| 9 | 153005 | 2 | 3/8" Lock Washer |
| 10 | 152005 | 2 | 3/8-16 Hex Nut |
| 11 | 152004 | 2 | 5/16-18 Hex Nut |
| 12 | 150621 | 2 | 5/16-18 x 1-1/2" Tap Bolt |
| 13 | 153002 | 4 | 5/16" Lock Washer |
| 14 | 153004 | 4 | 3/8" Flat Washer |
| 15 | 150501 | 4 | 5/16-18 x 3/4" Tap Bolt |
| 16 | 102120 | 1 | Sintered 8 Magnet |
| 17 | 883386 | 1 | Rotational Sensor Assembly |
| 18 | 100735 | 1 | Shaft Key (for reversing models Only) |
| 19 | 101118 | 1 | 18-3/4" Pulley |
| 20 | 101119 | 1 | 1-3/8" Taper Lock Bushing |
| 21 | 100106 | 1 | 5L-690 V-Belt (tumbler to idler) |
| 22 | 100270 | 1 | 1-3/8" Bearing Replacement Collar (griplock) |
| 23 | 152004 | 2 | 5/16-18 Hex Nut |
| 24 | 150610 | 2 | 5/16-18 x 1-1/2" Allen Setscrew |
| 25 | 100272 | 1 | 1-3/4" Bearing Replacement Collar (griplock) |

Tumbler Bearing Assembly

For Models Mfd. without Griplock Type Bearings

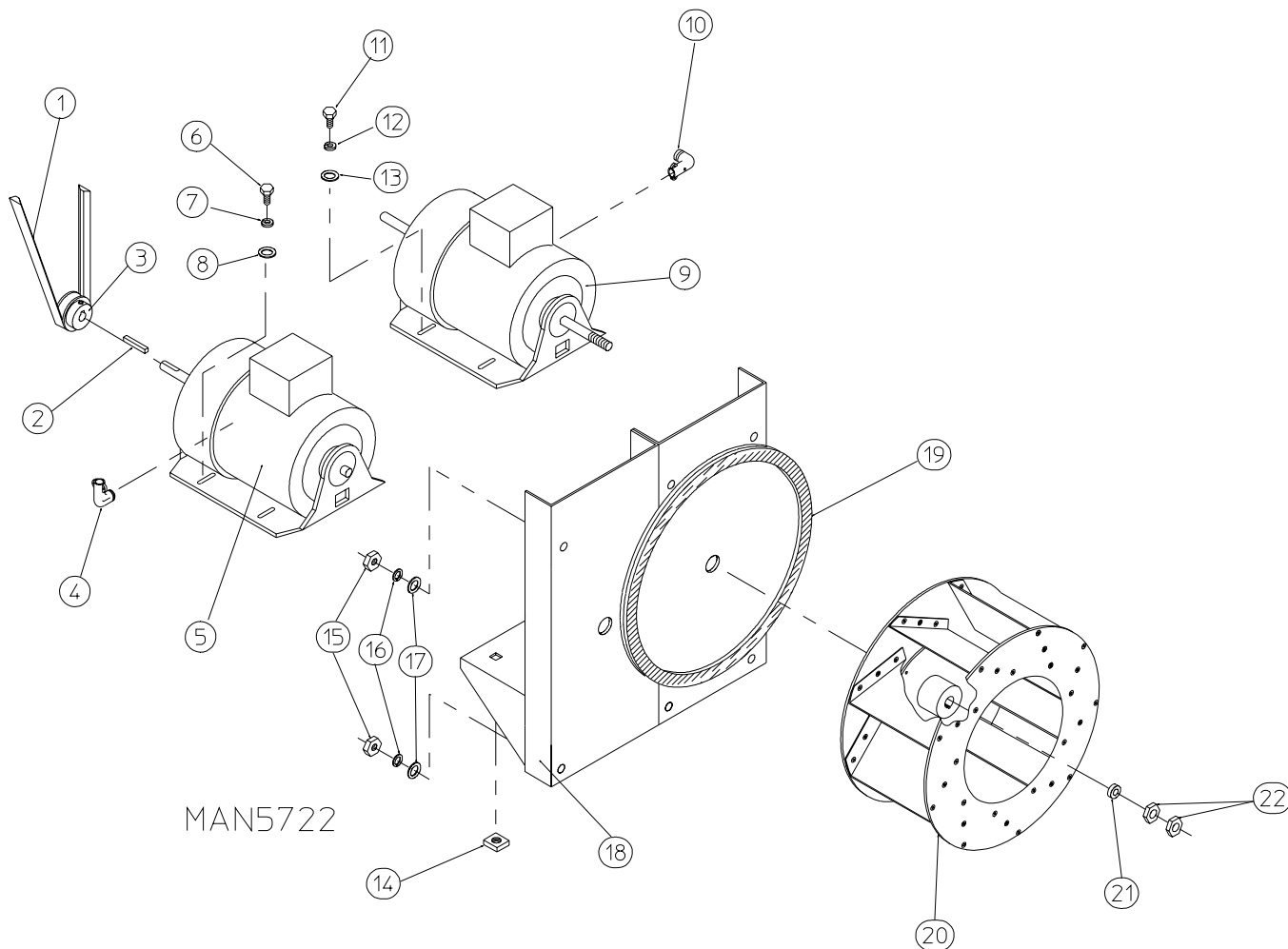


| Illus. No. | Part No. | Qty. | Description |
|------------|----------|------|--|
| 1 | 880220 | 1 | 1-3/4" Flange Bearing |
| 2 | 153025 | 4 | 9/16" Lock Washer |
| 3 | 152050 | 4 | 9/16-12 Hex Nut |
| 4 | 883387 | 1 | Pillow Block Bearing Assembly Complete with Rotational Sensor (includes illus. nos. 4 through 18, 23, and 24) |
| | 882543 | 1 | Pillow Block Bearing Platform ONLY |
| 5 | 880779 | 1 | 1-3/8" Pillow Block Bearing |
| 6 | 150601 | 2 | 3/8-16 x 2" Hex Bolt |
| 7 | 153004 | 2 | 3/8" Flat Washer |
| 8 | 153004 | 2 | 3/8" Flat Washer |
| 9 | 153005 | 2 | 3/8" Lock Washer |
| 10 | 152005 | 2 | 3/8-16 Hex Nut |
| 11 | 154326 | 2 | 5/16-24 x 3/8" Setscrew |
| 12 | 152004 | 2 | 5/16-18 Hex Nut |
| 13 | 150621 | 2 | 5/16-18 x 1-1/2" Tap Bolt |
| 14 | 153002 | 4 | 5/16" Lock Washer |
| 15 | 153004 | 6 | 3/8" Flat Washer |
| 16 | 150501 | 4 | 5/16-18 x 3/4" Tap Bolt |
| 17 | 102120 | 1 | Sintered 8 Magnet |
| 18 | 883386 | 1 | Rotational Sensor Assembly |
| 19 | 100735 | 1 | Shaft Key |
| 20 | 101118 | 1 | 18-3/4" Pulley |
| 21 | 101119 | 1 | 1-3/8" Taper Lock Bushing |
| 22 | 100106 | 1 | 5L-690 V-Belt (tumbler to idler) |
| 23 | 150610 | 2 | 5/16-18 x 1-1/2" Allen Setscrew |
| 24 | 152004 | 2 | 5/16-18 Hex Nut |



| Illus. No. | Part No. | Qty. | Description |
|------------|----------|------|--|
| 1 | 100106 | 1 | 5L-690 V-Belt |
| 2 | 101140 | 1 | 14" x 3" Compound Pulley |
| 3 | 100109 | 1 | 4L-650 V-Belt (idler to motor) |
| 4 | 154301 | 2 | 5/16-18 x 1" Allen Setscrew |
| 5 | 100705 | 1 | 3/16" x 3/16" x 1-3/8" Key |
| 6 | 882576 | 1 | Idler Bearing Assembly Complete (includes illus. nos. 5 through 12) |
| 7 | 150617 | 2 | 3/8-16 x 1" Hex Head Machine Bolt |
| 8 | 153005 | 2 | 3/8" Lock Washer |
| 9 | 153004 | 2 | 3/8" Flat Washer |
| 10 | 801009 | 1 | Idler Square Washer |
| 11 | 152004 | 1 | 5/16-18 Hex Nut |
| 12 | 150509 | 1 | 5/16-18 x 3" Hex Head Machine Bolt |

Reversing T.E.F.C. Motor Mount Assembly

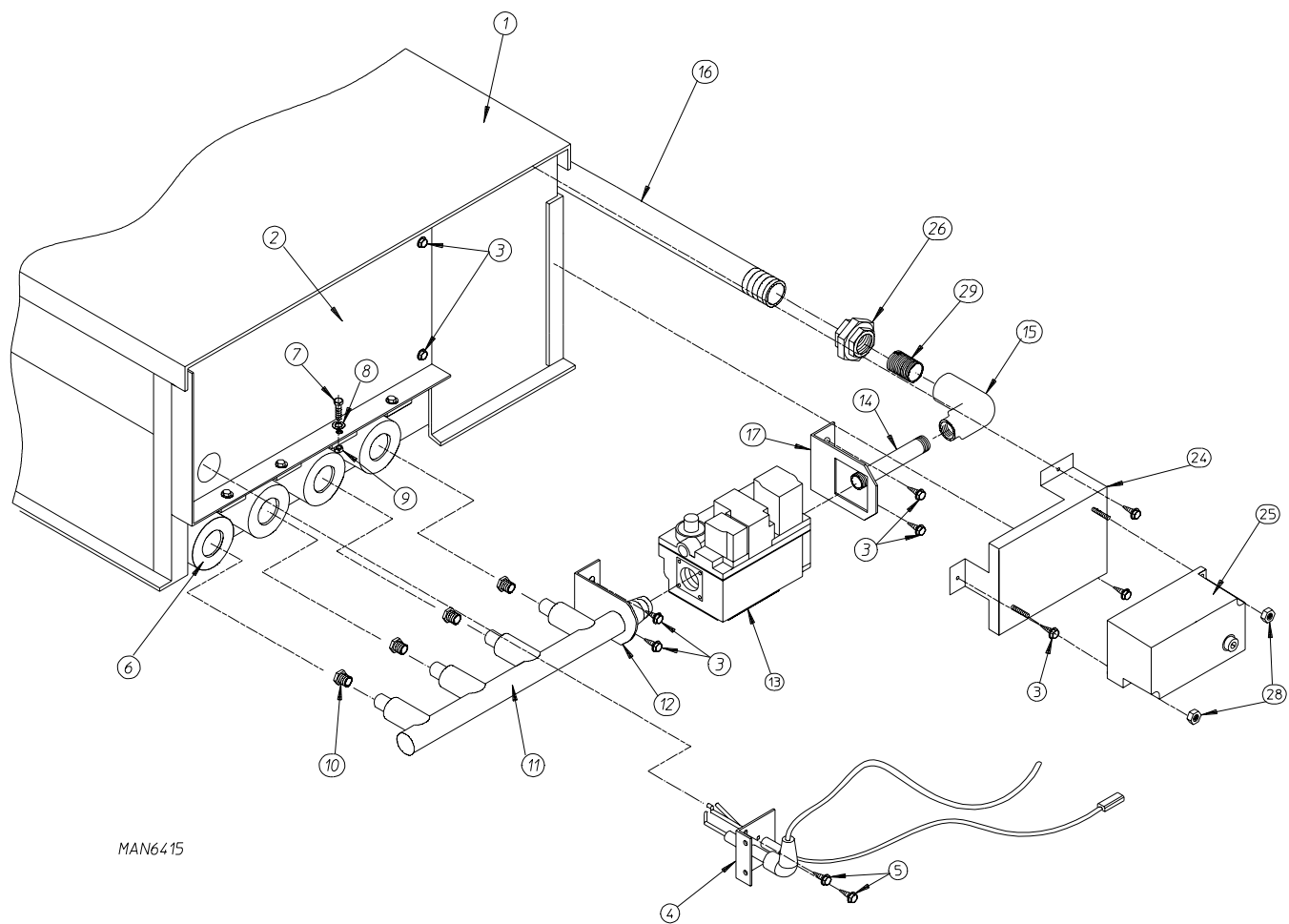


Reversing T.E.F.C. Motor Mount Assembly

| <u>Illus. No.</u> | <u>Part No.</u> | <u>Qty.</u> | <u>Description</u> |
|-------------------|-----------------|-------------|--|
| 1 | 100109 | 1 | 4L-650 V-Belt (motor to idler) |
| 2 | 100701 | 1 | 3/16" x 3/16" x 1" Key |
| 3 | 101130 | 1 | 5/8" x 2-1/2" Motor Pulley (60 Hz Only) |
| | 101139 | 1 | 5/8" x 2-3/4" Motor Pulley (50 Hz Only) |
| 4 | 120200 | 1 | 3/8" x 90° Connector |
| 5 | 181003* | 1 | 1/2 hp 208/230/380/460v 3ø 50/60 Hz Totally Enclosed, Fan-Cooled Motor (56Z frame) |
| 6 | 150501 | 4 | 5/16-18 x 3/4" Hex Head Machine Bolt |
| 7 | 153002 | 4 | 5/16" Lock Washer |
| 8 | 153001 | 4 | 5/16" Flat Washer |
| 9 | 181043* | 1 | 3 hp 220/230/380/460v 3ø 50/60 Hz Totally Enclosed, Fan-Cooled Motor with 3/4" Shaft (56Z frame) |
| 10 | 120200 | 1 | 3/8" x 90° Connector |
| 11 | 150501 | 4 | 5/16-18 x 3/4" Hex Head Machine Bolt |
| 12 | 153002 | 4 | 5/16" Lock Washer |
| 13 | 153001 | 4 | 5/16" Flat Washer |
| 14 | 154000 | 8 | 5/16" Tinnerman Nut |
| 15 | 152004 | 6 | 5/16-18 Hex Nut |
| 16 | 153002 | 6 | 5/16" Lock Washer |
| 17 | 153001 | 6 | 5/16" Flat Washer |
| 18 | 803566 | 1 | Reversing Motor Mount ONLY (56Z frame) |
| | 883027* | 1 | 60 Hz Reversing Totally Enclosed, Fan-Cooled Motor Mount Assembly Complete (includes illus. nos. 2 through 14 and 18 through 22) |
| | 883026* | 1 | 50 Hz Reversing Totally Enclosed, Fan-Cooled Motor Mount Assembly Complete (includes illus. nos. 2 through 14 and 18 through 22) |
| 19 | 117604 | 4 | Noise Suppressor Tape (sold by the foot) |
| 20 | 802027 | 1 | 16" Riveted High Flow Impellor (60 Hz models) |
| | 802024 | 1 | 16" Riveted High Flow Impellor (50 Hz models) |
| 21 | 153065 | 1 | 1-1/2" Outside Diameter x 1/2" Washer |
| 22 | 152006 | 2 | 1/2-20 Left Hand Jam Nut |

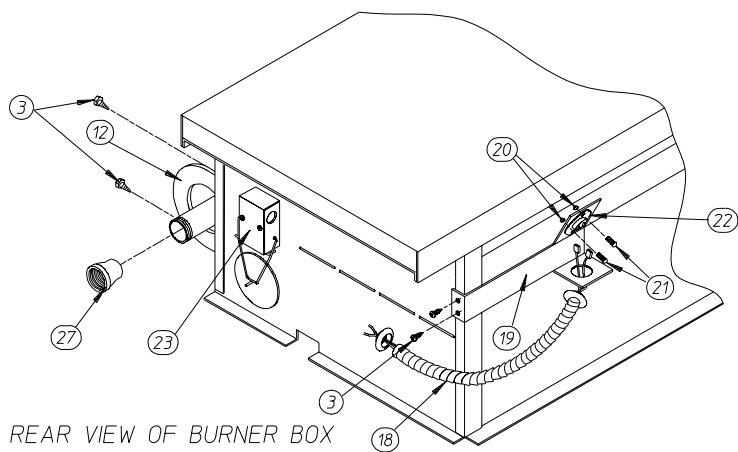
* Check part number on motor data label to verify correct motor.

Direct Spark Ignition Burner Assembly



MAN6415

FRONT VIEW OF BURNER BOX



REAR VIEW OF BURNER BOX

JNERY 12/16/02

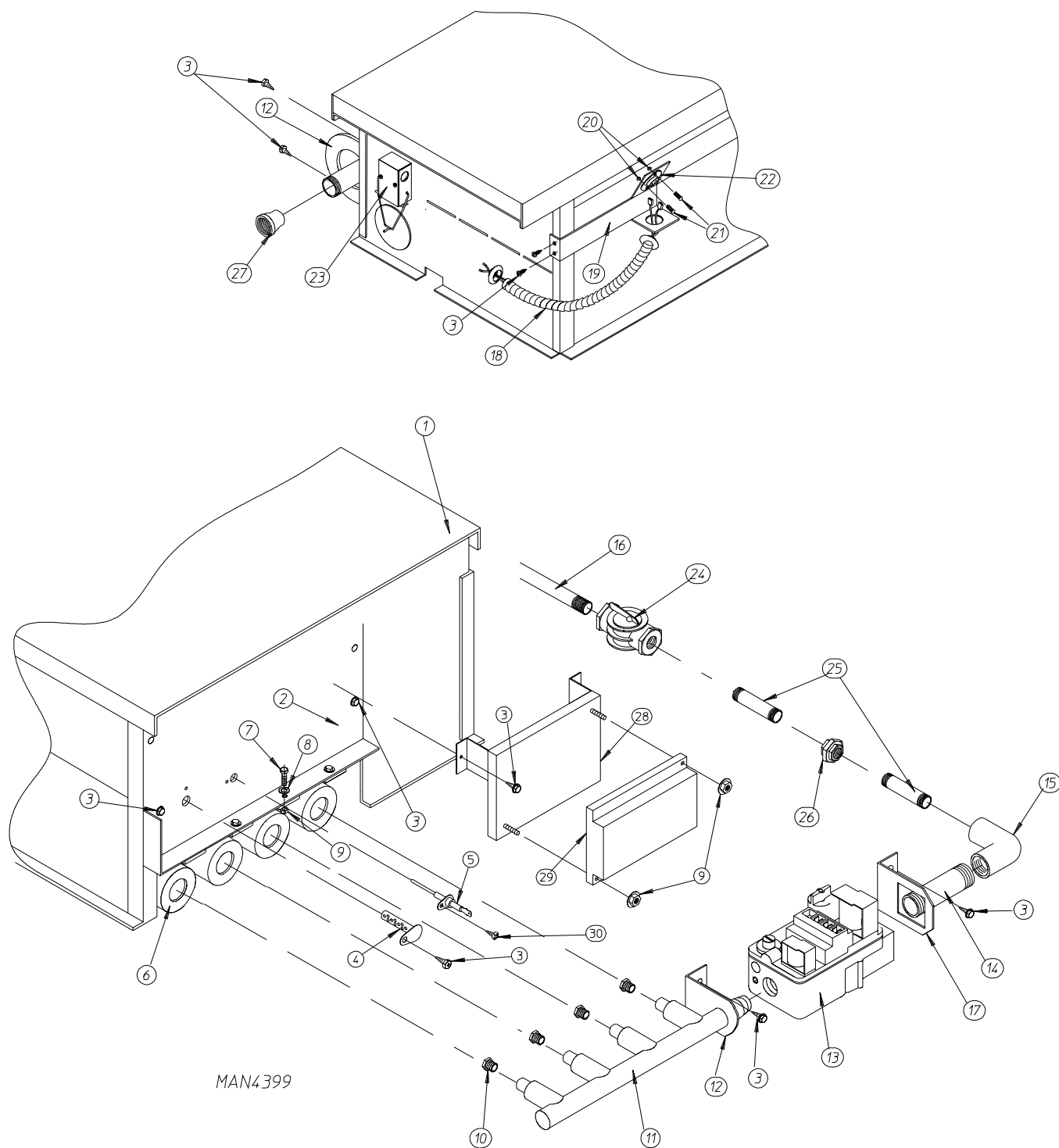
Direct Spark Ignition Burner Assembly

| <u>Illus. No.</u> | <u>Part No.</u> | <u>Qty.</u> | <u>Description</u> |
|-------------------|-----------------|-------------|---|
| 1 | 802237 | 1 | Burner Box ONLY |
| | 803020* | 1 | Natural Gas Burner Assembly II Complete Less Orifice (includes illus. nos. 1 through 9 and 11 through 29) |
| | 803021* | 1 | Liquid Propane Burner Assembly II Complete Less Orifice (includes illus. nos. 1 through 9 and 11 through 29) |
| 2 | 802240 | 1 | Burner Shield |
| 3 | 150309 | 15 | #10-16 x 1/2" Hex Head Crimptite Screw |
| 4 | 128915 | 1 | Direct Spark Ignition Ignitor / Flame-Probe ONLY |
| | 880330 | 1 | High Voltage Wire and Connector ONLY |
| | 880134 | 1 | Direct Spark Ignition Ignitor / Flame-Probe Assembly Complete with High Voltage Wire Connector |
| | 305410 | — | Ignitor Gap Tool ... Not Illustrated |
| 5 | 150300 | 2 | #10-16 x 1/2" Hex Washer TEK Screw |
| 6 | 141105 | 4 | Large Burner Tube |
| 7 | 150108 | 4 | #8-32 x 1/2" Phillips Pan Head Machine Screw |
| 8 | 153000 | 4 | #8 Steel Burr |
| 9 | 151001 | 4 | #8-32 Pal Nut |
| 10** | 140856 | 4 | #23 Burner Orifice (natural gas) ONLY |
| | 140811 | 4 | #41 Burner Orifice (liquid propane gas) ONLY |
| 11 | 141210 | 1 | 3/4" Manifold (4-port) |
| 12 | 323737 | 1 | Pipe Bracket (bent) |
| 13 | 128928 | 1 | 24 VAC Direct Spark Ignition Gas Valve (natural gas) ONLY |
| | 881052 | 1 | 24 VAC Direct Spark Ignition Gas Valve (liquid propane gas) ONLY |
| 14 | 142715 | 1 | 1/2" x 2" Nipple |
| 15 | 142511 | 1 | 3/4" x 1/2" Reducing Elbow |
| 16 | 142829 | 1 | 3/4" x 28" Pipe Nipple |
| 17 | 323763 | 1 | Gas Valve Bracket |
| 18 | 824533 | 1 | Sail Switch to Hi-Limit Harness |
| 19 | 319704 | 1 | Hi-Limit Mounting Bracket |
| 20 | 151000 | 2 | #6-32 Pal Nut |
| 21 | 150001 | 2 | #6-32 x 1/2" Round Head Machine Screw |
| 22 | 130201 | 1 | 330° Manual Reset Hi-Limit Thermostat |
| 23 | — | 1 | Sail Switch (refer to Sail Switch Assembly on page 24) |
| 24 | 810030 | 1 | Direct Spark Ignition Mounting Bracket |
| 25 | 128935 | 1 | Direct Spark Ignition Module Johnson Controls |
| 26 | 142601 | 1 | 3/4" Union |
| 27 | 142924 | 1 | 1" to 3/4" Reducing Coupling |
| — | 882119 | 1 | ML-82 Burner Liquid Propane Conversion Kit with Orifice |
| 28 | 152013 | 2 | #6-32 Hex Nut |
| 29 | 142701 | 2 | 3/4" Close Nipple |

* Burner orifices are not included and must be ordered separately.

** Consult factory for elevations over 2,000 feet.

Hot Surface Ignition Burner Assembly



MAN4399

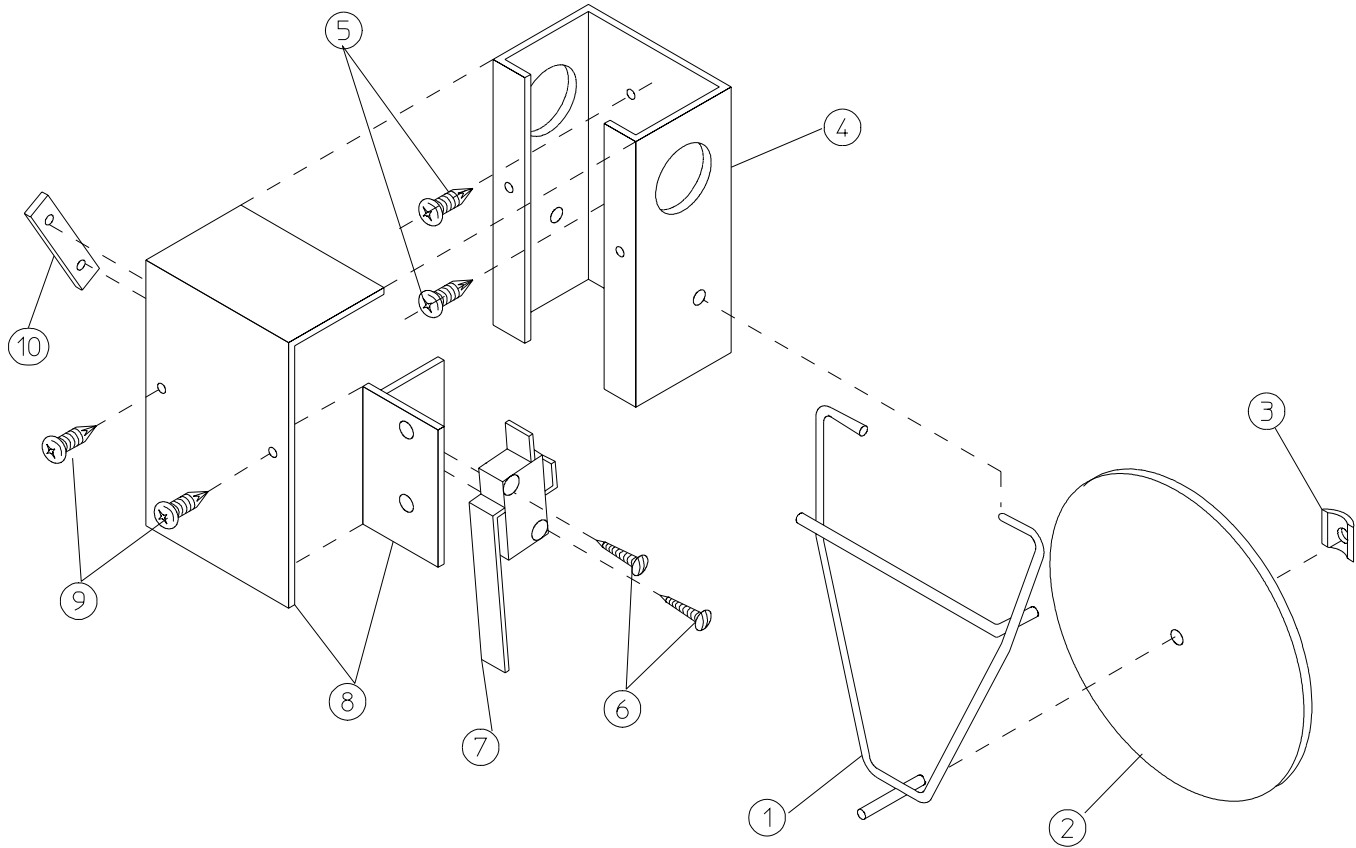
Hot Surface Ignition Burner Assembly

| <u>Illus. No.</u> | <u>Part No.</u> | <u>Qty.</u> | <u>Description</u> |
|-------------------|-----------------|-------------|--|
| 1 | 802237 | 1 | Burner Box ONLY |
| | 881050* | 1 | Natural Gas Burner Assembly Complete Less Orifices (includes illus. nos. 1 through 3, 6 through 9, and 11 through 27) |
| | 881051* | 1 | Liquid Propane Burner Assembly II Complete Less Orifice (includes illus. nos. 1 through 9 and 11 through 30) |
| 2 | 318400 | 1 | Burner Shield |
| 3 | 150309 | 17 | #10-16 x 1/2" Hex Head TEK Crimptite Screw |
| 4 | 881597 | 1 | Hot Surface Ignitor – 24 VAC |
| 5 | 128921 | 1 | Hot Surface Ignition Flame-Probe |
| 6 | 141105 | 4 | Large Burner Tube |
| 7 | 150103 | 4 | #8-32 x 1/2" Phillips Pan Head Machine Screw |
| 8 | 153000 | 4 | #8 Washer |
| 9 | 151001 | 6 | #8-32 Pal Nut |
| 10** | 140856** | 4 | #23 Burner Orifice (natural gas) ONLY |
| | 140811** | 4 | #41 Burner Orifice (liquid propane gas) ONLY |
| 11 | 141210 | 1 | 3/4" Manifold (4-port) |
| 12 | 323737 | 2 | Pipe Bracket (bent) |
| 13 | 128928 | 1 | 1/2" 24 VAC Redundant (natural gas) Gas Valve |
| | 881052 | 1 | 1/2" 24 VAC Redundant (liquid propane gas) Gas Valve |
| | 882119** | 1 | Hot Surface Ignition Liquid Propane Conversion Kit |
| 14 | 142715 | 2 | 1/2" x 2" Nipple |
| 15 | 142511 | 1 | 3/4" x 1/2" Reducing Elbow |
| 16 | 142829 | 1 | 3/4" x 20" Pipe |
| 17 | 323763 | 1 | Gas Valve Bracket |
| 18 | 824533 | 1 | Sail Switch to Hi-Limit Harness |
| 19 | 319704 | 1 | Hi-Limit Mounting Bracket |
| 20 | 151000 | 2 | #6-32 Pal Nut |
| 21 | 150001 | 2 | #6-32 x 1/2" Round Head Machine Screw |
| 22 | 130201 | 1 | 330° Manual Reset Hi-Limit Thermostat ONLY |
| 23 | _____ | 1 | Sail Switch (refer to Sail Switch Assembly on page 24) |
| 24 | 141300 | 1 | 3/4" Union Shutoff |
| 25 | 142709 | 2 | 3/4" x 2" Nipple |
| 26 | 142601 | 1 | 3/4" Union |
| 27 | 142924 | 1 | 1" to 3/4" Reducing Coupling |
| 28 | 810029 | 1 | Hot Surface Ignition Mounting Bracket Assembly |
| 29 | 881797 | 1 | Hot Surface Ignition Module II |
| 30 | 150301 | 1 | #8-18 x 7/16" Phillips Pan Head TEK Screw |

* Burner orifices are not included and must be ordered separately.

** Consult factory for elevations over 2,000 feet.

Sail Switch Assembly

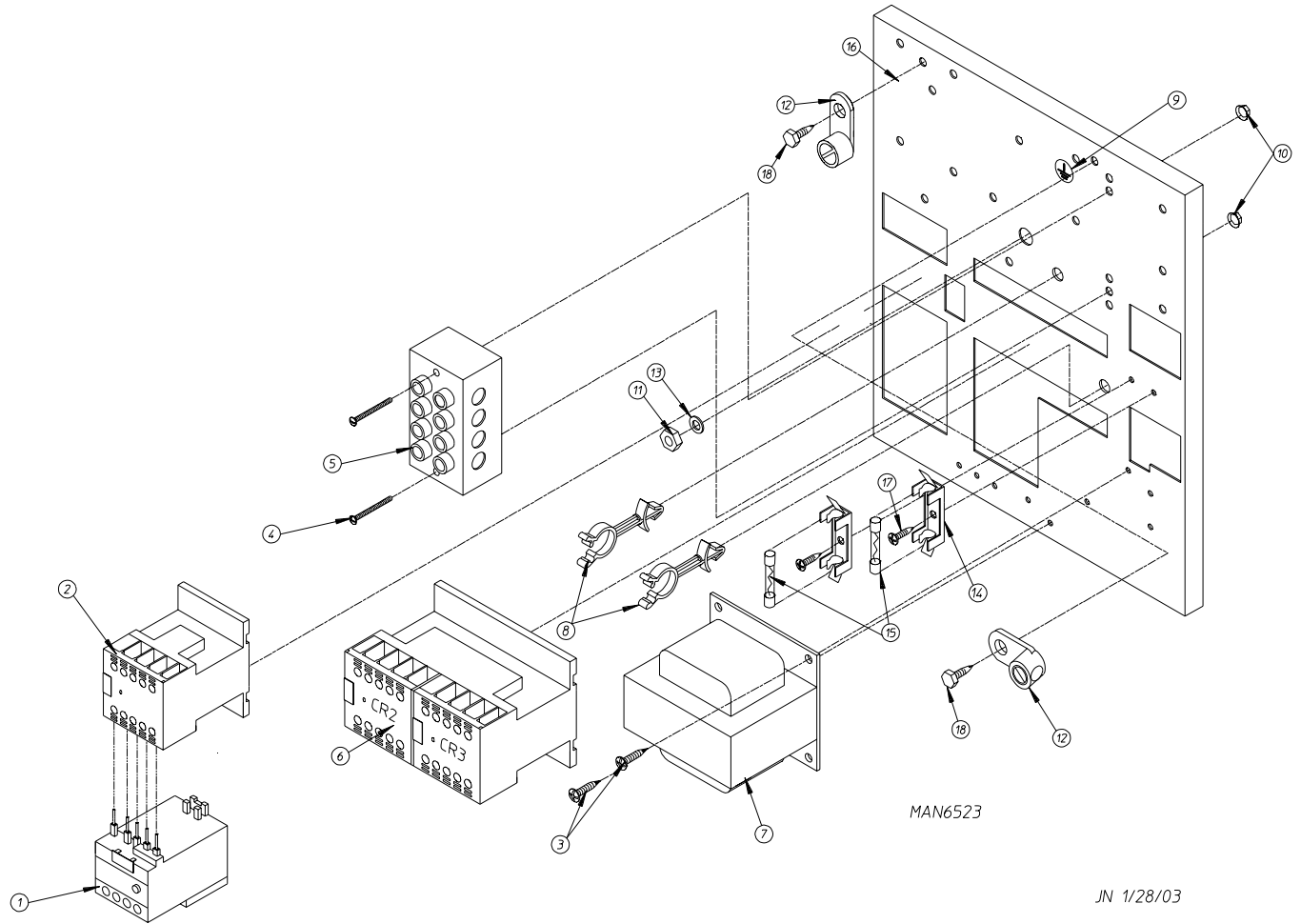


MAN0440

| <u>Illus. No.</u> | <u>Part No.</u> | <u>Qty.</u> | <u>Description</u> |
|-------------------|-----------------|-------------|--|
| 1 | 105500 | 1 | Sail Switch Actuator Rod |
| 2 | 319202 | 1 | Sail Switch Damper (flat) |
| 3 | 154002 | 1 | 1/8" Push-On Fastener |
| 4 | 802800 | 1 | Sail Switch Box with Cover and Bracket ONLY (includes illus. nos. 4, 8, and 9) |
| | 802801 | 1 | Sail Switch Box Assembly Complete (includes illus. nos. 1 through 4 and 6 through 10) |
| 5 | 150309 | 2 | #10-16 x 1/2" Hex Head TEK Crimptite Screw |
| 6 | 150303 | 2 | #4 x 3/4" Pan Head "A" Machine Screw |
| 7 | 122200 | 1 | Sail Switch ONLY |
| 8 | 802799 | 1 | Sail Switch Box Cover and Bracket ONLY |
| 9 | 150309 | 2 | #10-16 x 1/2" Hex Head TEK Crimptite Screw |
| 10 | 154004 | 1 | Twin Speed Nut |

208-240V Reversing Relay Panel Assembly

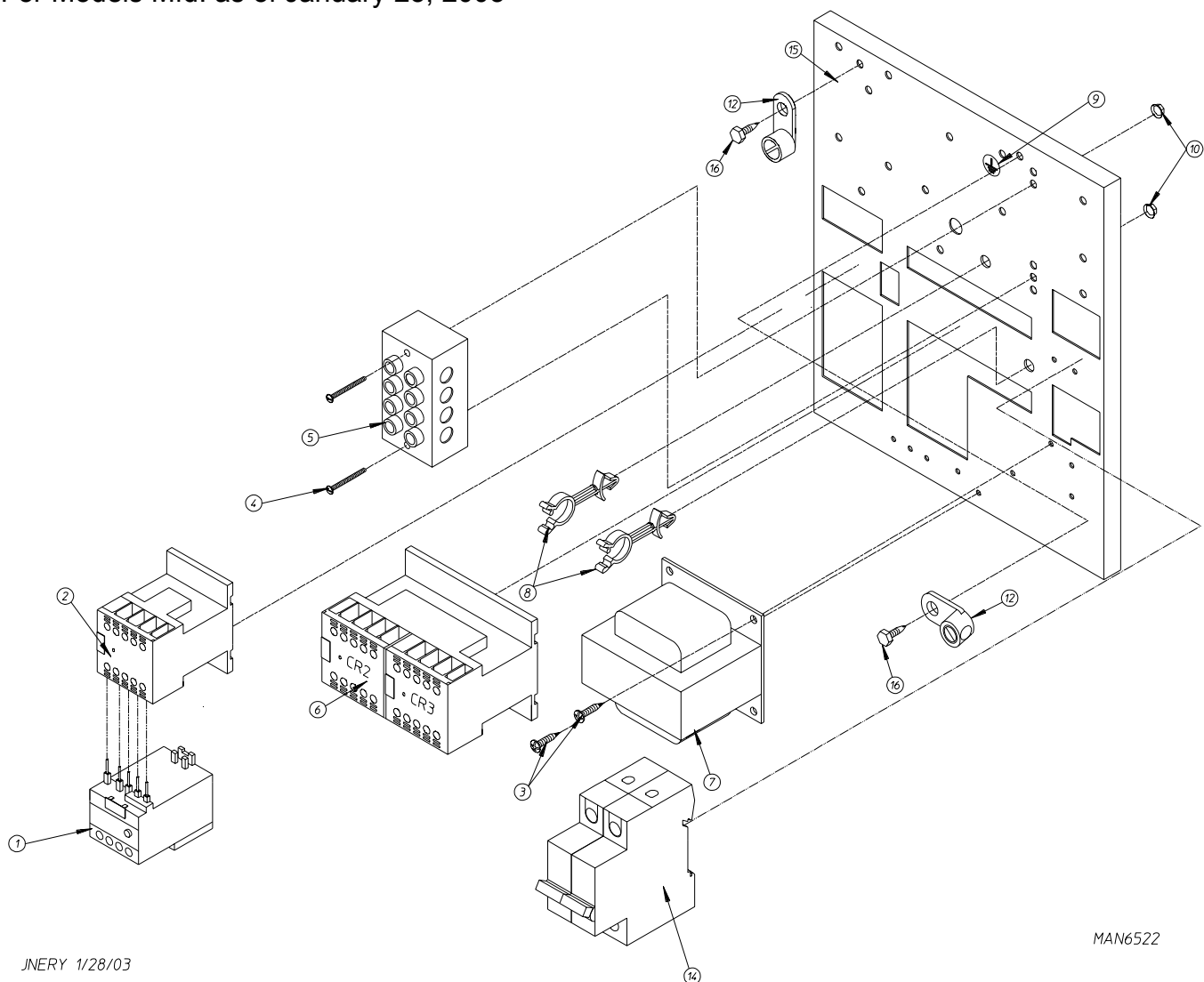
For Models Mfd. as of January 23, 2003



| <u>Illus. No.</u> | <u>Part No.</u> | <u>Qty.</u> | <u>Description</u> |
|-------------------|-----------------|-------------|---|
| 1 | 132516 | 1 | 8-11.5-Amp Overload Relay |
| 2 | 132514 | 1 | 3-Phase (3 ϕ) Contactor with Arc Suppressor |
| 3 | 150300 | 2 | #10-16 x 1/2" Hex Washer TEK Screw |
| 4 | 150009 | 2 | #6-32 x 1-1/2" Phillips Round Head Machine Screw |
| 5 | 120701 | 1 | 4-Position Terminal Block |
| 6 | 132497 | 1 | Reversing Contactor |
| 7 | 822764 | 1 | 208-240 Volt Transformer Assembly |
| 8 | 121502 | 2 | 1/2" Wire Standoff |
| 9 | 112075 | 1 | Ground Label |
| 10 | 151000 | 2 | #6-32 Pal Nut |
| 11 | 152004 | 1 | 5/16-18 Hex Nut |
| 12 | 121010 | 2 | L-70 Ground Lug |
| 13 | 153002 | 1 | 5/16" Lock Washer |
| 14 | 136008 | 2 | Fuse Holder |
| 15 | 136057 | 2 | 1/2-Amp (Slo-Blo) Fuse |
| 16 | 323743 | 1 | Relay Panel |
| | 823023 | 1 | Reversing Relay Panel Complete (includes illus. nos. 1 through 18) |
| 17 | 150301 | 1 | #8-18 x 7/16" Phillips Pan Head TEK Screw |
| 18 | 120910 | 2 | #10-32 Green Ground Screw |

460-480V Reversing Relay Panel Assembly

For Models Mfd. as of January 23, 2003



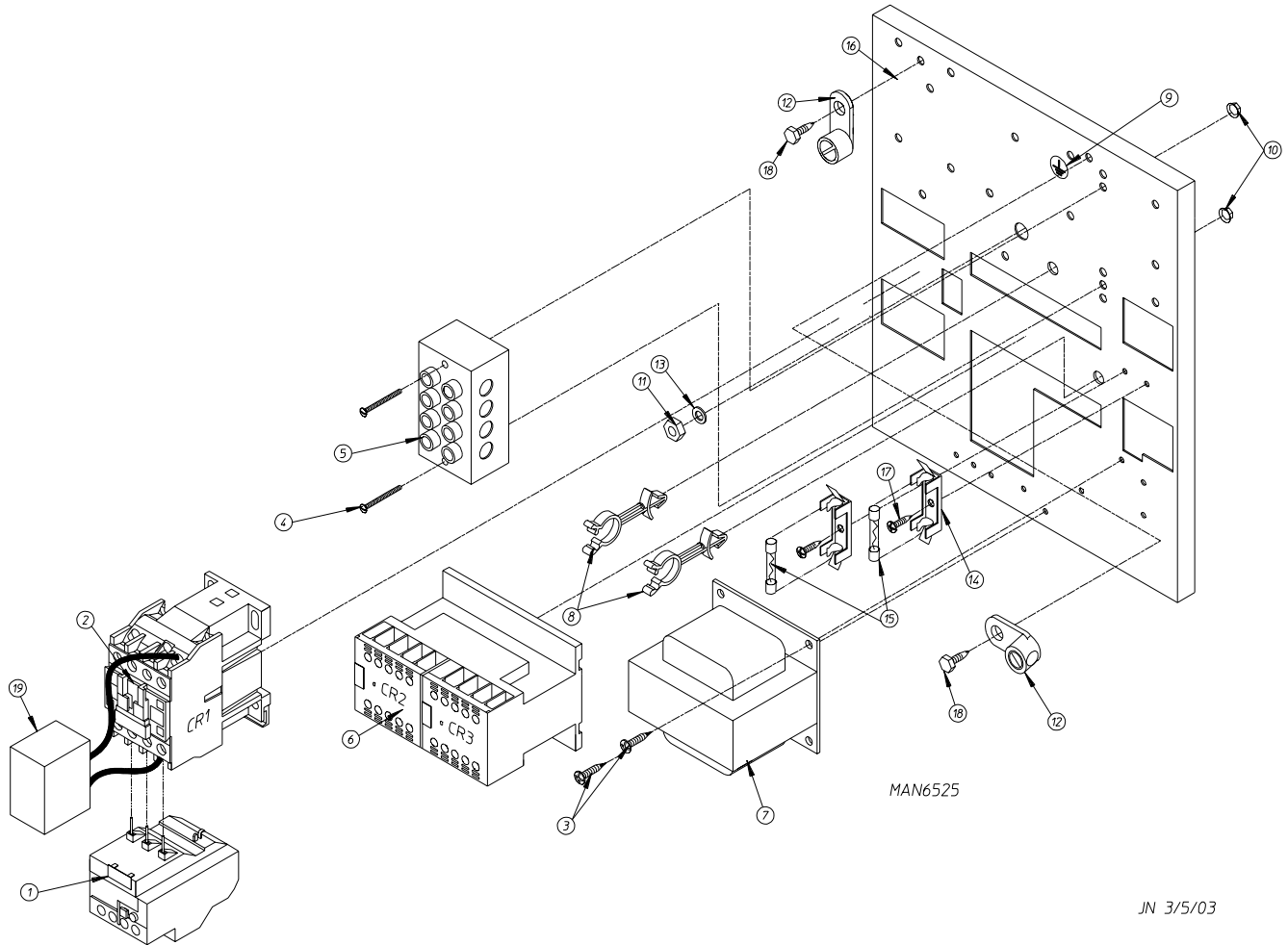
JNERY 1/28/03

MAN6522

| Illus. No. | Part No. | Qty. | Description |
|------------|----------|------|---|
| 1 | 132474 | 1 | 3.7-5.5-Amp Overload Relay |
| 2 | 132514 | 1 | 3-Phase (3 ϕ) Contactor with Arc Suppressor |
| 3 | 150300 | 2 | #10-16 x 1/2" Hex Washer TEK Screw |
| 4 | 150009 | 2 | #6-32 x 1-1/2" Phillips Round Head Machine Screw |
| 5 | 120701 | 1 | 4-Position Terminal Block |
| 6 | 132497 | 1 | Reversing Contactor |
| 7 | 830226 | 1 | 460-480 Volt Transformer Assembly |
| 8 | 121502 | 2 | 1/2" Wire Standoff |
| 9 | 112075 | 1 | Ground Label |
| 10 | 151000 | 2 | #6-32 Pal Nut |
| 11 | 152004 | 1 | 5/16-18 Hex Nut |
| 12 | 121010 | 2 | L-70 Ground Lug |
| 13 | 153002 | 1 | 5/16" Lock Washer |
| 14 | 135501 | 1 | 2-Pole 1-Amp Circuit Breaker |
| 15 | 323743 | 1 | Relay Panel |
| | 823021 | 1 | Reversing Relay Panel Complete (includes illus. nos. 1 through 16) |
| 16 | 120910 | 2 | #10-32 Green Ground Screw |

208-240V Reversing Relay Panel Assembly

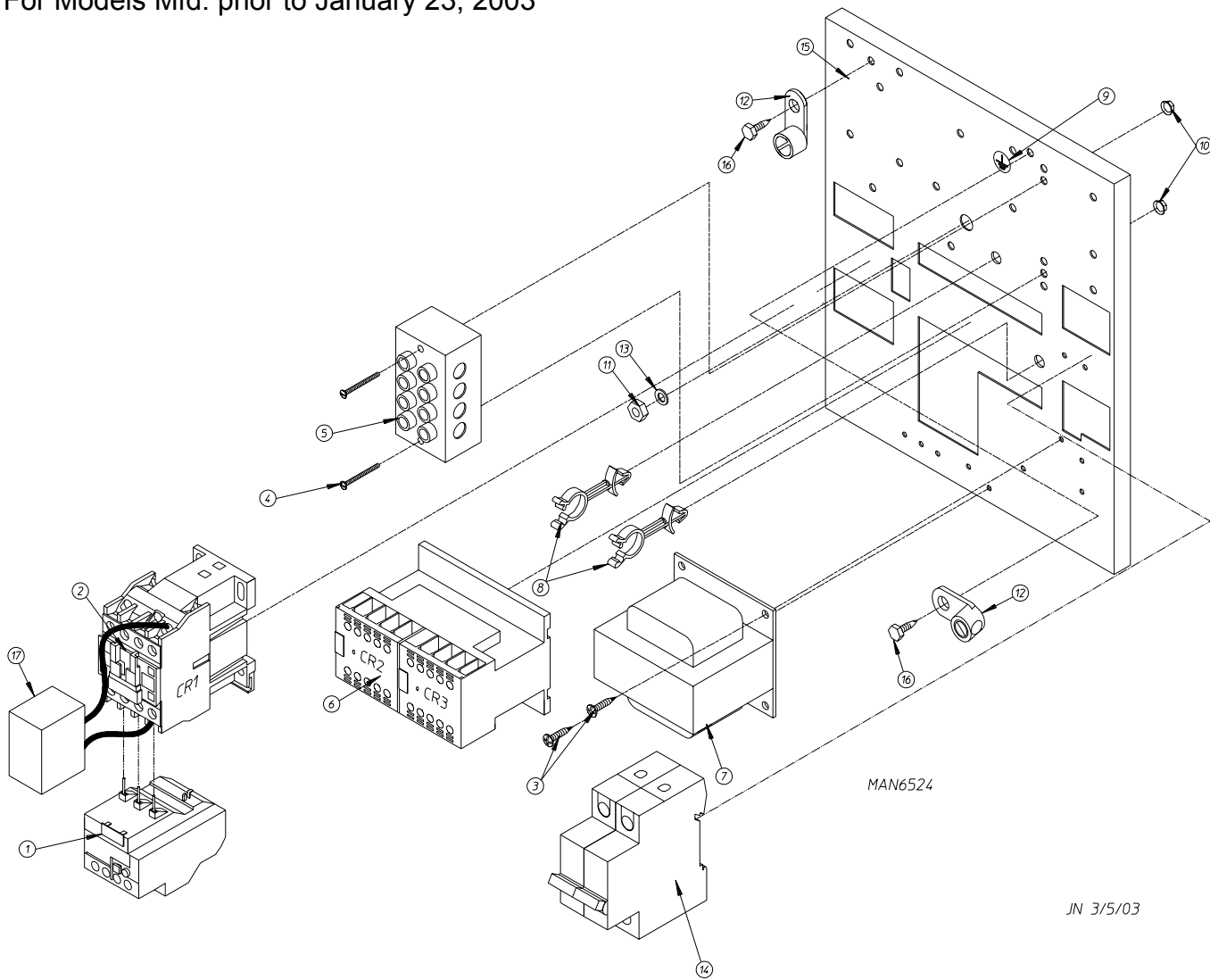
For Models Mfd. prior to January 23, 2003



| Illus. No. | Part No. | Qty. | Description |
|------------|----------|------|---|
| 1 | 132467 | 1 | 9-13-Amp Overload Relay |
| 2 | 132445 | 1 | 3-Phase (3 ϕ) Horsepower Contactor |
| 3 | 150300 | 2 | #10-16 x 1/2" Hex Washer TEK Screw |
| 4 | 150009 | 2 | #6-32 x 1-1/2" Phillips Round Head Machine Screw |
| 5 | 120701 | 1 | 4-Position Terminal Block |
| 6 | 132497 | 1 | Reversing Contactor |
| 7 | 822799 | 1 | 208-240 Volt Transformer Assembly |
| 8 | 121502 | 2 | 1/2" Wire Standoff |
| 9 | 112075 | 1 | Ground Label |
| 10 | 151000 | 2 | #6-32 Pal Nut |
| 11 | 152004 | 1 | 5/16-18 Hex Nut |
| 12 | 121010 | 2 | L-70 Ground Lug |
| 13 | 153002 | 1 | 5/16" Lock Washer |
| 14 | 136008 | 2 | Fuse Holder |
| 15 | 136057 | 2 | 1/2-Amp (Slo-Blo) Fuse |
| 16 | 323743 | 1 | Relay Panel |
| | 822765 | 1 | Reversing Relay Panel Complete (includes illus. nos. 1 through 19) |
| 17 | 150301 | 2 | #8-18 x 7/16" Phillips Pan Head TEK Screw |
| 18 | 150297 | 2 | #10 x 1/2" Hex Washer TEK Screw |
| 19 | 137015 | 1 | R.C. Network |

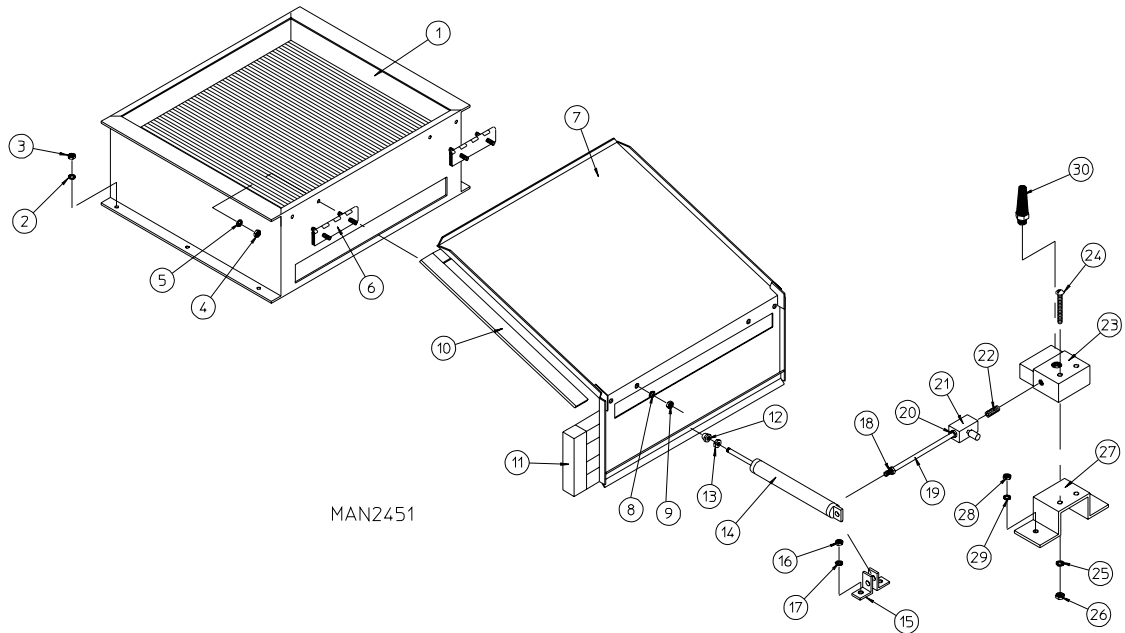
460-480V Reversing Relay Panel Assembly

For Models Mfd. prior to January 23, 2003



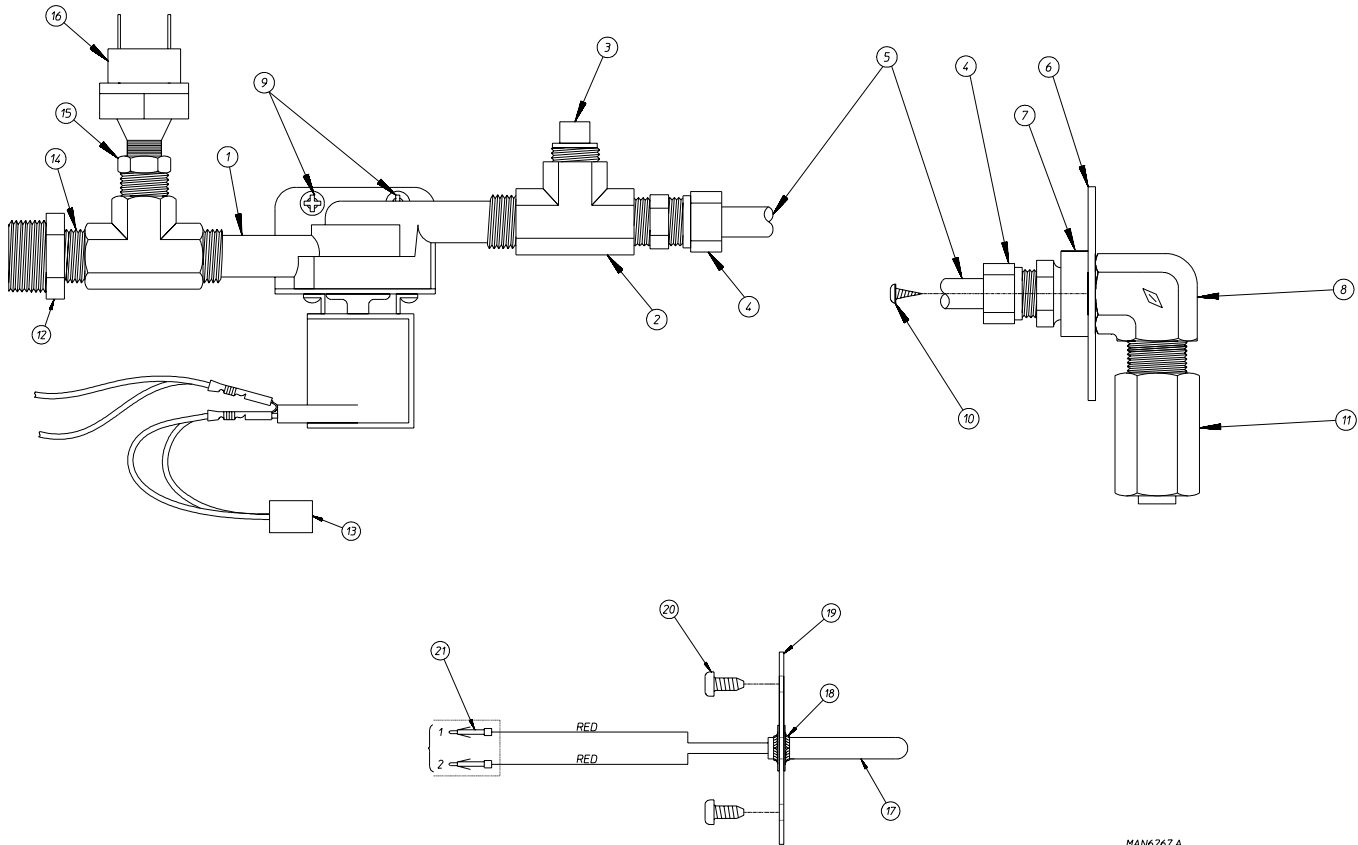
| Illus. No. | Part No. | Qty. | Description |
|------------|----------|------|---|
| 1 | 132468 | 1 | 4-6-Amp Overload Relay |
| 2 | 132445 | 1 | 3-Phase (3 \emptyset) Horsepower Contactor |
| 3 | 150300 | 2 | #10-16 x 1/2" Hex Washer TEK Screw |
| 4 | 150009 | 2 | #6-32 x 1-1/2" Phillips Round Head Machine Screw |
| 5 | 120701 | 1 | 4-Position Terminal Block |
| 6 | 132497 | 1 | Reversing Contactor |
| 7 | 824221 | 1 | 460-480 Volt Transformer Assembly |
| 8 | 121502 | 2 | 1/2" Wire Standoff |
| 9 | 112075 | 1 | Ground Label |
| 10 | 151000 | 2 | #6-32 Pal Nut |
| 11 | 152004 | 1 | 5/16-18 Hex Nut |
| 12 | 121010 | 2 | L-70 Ground Lug |
| 13 | 153002 | 1 | 5/16" Lock Washer |
| 14 | 135501 | 1 | 2-Pole 1-Amp Circuit Breaker |
| 15 | 323743 | 1 | Relay Panel |
| | 830164 | 1 | Reversing Relay Panel Complete (includes illus. nos. 1 through 17) |
| 16 | 150297 | 2 | #10 x 1/2" Hex Washer TEK Screw |
| 17 | 137015 | 1 | R.C. Network |

Air-Operated Steam Damper Assembly



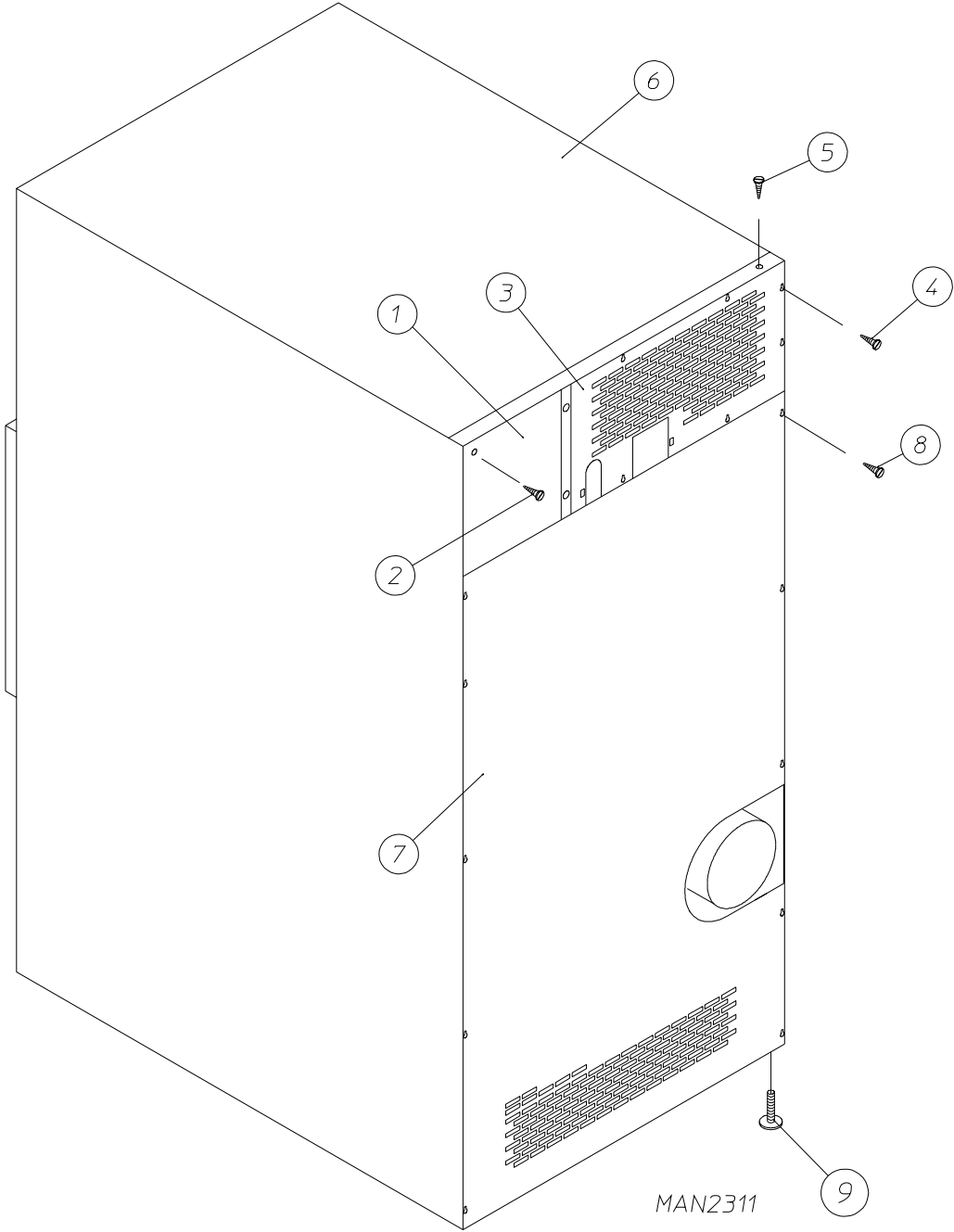
| Illus. No. | Part No. | Qty. | Description |
|------------|----------|------|---|
| 1 | 165079 | 1 | 2 Stage Steam Coil Assembly (for models mfd. after August 4, 2009) |
| | 165009 | 1 | Steam Coil Assembly (for models mfd. before August 4, 2009) |
| 2 | 153002 | 6 | 5/16" Lock Washer |
| 3 | 152004 | 6 | 5/16-18 Hex Nut |
| 4 | 152002 | 4 | 1/4-20 Hex Nut |
| 5 | 153007 | 4 | 1/4" Lock Washer |
| 6 | 820321 | 2 | Steam Damper Hinge Assembly |
| 7 | 803415 | 1 | Steam Damper Assembly (includes illus. nos. 7, 10, and 11) |
| 8 | 153007 | 4 | 1/4" Lock Washer |
| 9 | 152002 | 4 | 1/4-20 Hex Nut |
| 10 | 115995 | 108 | Steam Damper Gasket (sold by the inch) |
| 11 | 102350 | 1 | Steam Damper Foam (68-1/2" length) |
| 12 | 151007 | 1 | 7/16-20 Stainless Steel Acorn Nut |
| 13 | 152007 | 1 | 7/16-20 Hex Nut |
| 14 | 100497 | 1 | 1-1/4" Bore x 3" Stroke Piston |
| 15 | 100492 | 1 | Piston Support Bracket |
| 16 | 152002 | 4 | 1/4-20 Hex Nut |
| 17 | 153007 | 4 | 1/4" Lock Washer |
| 18 | 100472 | 1 | 1/4" x 1/8" Connector |
| 19 | 143110 | 1 | 1/4" Tubing (sold by the foot) |
| 20 | 100472 | 1 | 1/4" x 1/8" Connector |
| 21 | 100496 | 1 | 1/8" Needle Valve |
| 22 | 143238 | 1 | 1/8" Close Nipple |
| 23 | 100498 | 1 | 3-Way Micro Valve – 24 VAC |
| 24 | 150002 | 2 | #6-32 x 1" Phillips Round Head Machine Screw |
| 25 | 153010 | 2 | #6 Star Washer |
| 26 | 152000 | 2 | #6-32 Hex Nut |
| 27 | 330987 | 1 | Micro Valve Support Bracket |
| 28 | 152002 | 2 | 1/4-20 Hex Nut |
| 29 | 153007 | 2 | 1/4" Lock Washer |
| 30 | 100520 | 1 | 1/8" N.P.T. Silencer (muffler) |

Fire Suppression System Assemblies



| Illus. No. | Part No. | Qty. | Description |
|------------|----------|------|---|
| 1 | 165114 | 1 | Fire Suppression System Solenoid Valve 24V 50/60 Hz |
| 2 | 143220 | 1 | 3/8" F.P.T. Brass Tee |
| 3 | 143251 | 1 | 3/8" M.P.T. Brass Plug |
| 4 | 143208 | 2 | 3/8" Comp x 3/8" M.P.T. Brass Connector |
| 5 | 143099 | 6' | 3/8" OD x 0.035 Wall Copper Tubing (sold by the foot) |
| 6 | 311588 | 1 | Sprinkler Head Mounting Plate |
| 7 | 143303 | 1 | 3/8" N.P.T. Brass Locknut |
| 8 | 143155 | 1 | 3/8" Brass Elbow 90° |
| 9 | 150430 | 2 | #10 x 1/2" Self-Drilling Screw |
| 10 | 150301 | 2 | #8-18 x 7/16" TEK Screw |
| 11 | 143581 | 1 | 3 GPM 3/8" F.P.T. Spray Nozzle |
| 12 | 143025 | 1 | 3/8 x 3/4 NH 60 Hz |
| | 143177 | | 3/4 M.P.T. x 3/8 Adapt 50 Hz |
| 13 | 824081 | 1 | R.C. Network Assembly |
| 14 | 143241 | 1 | 3/8" x Close Brass Nipple |
| 15 | 143315 | 1 | 3/8" M.N.P.T. x 1/8" F.N.P.T. Brass Bushing |
| 16 | 136987 | 1 | Water Jet Pressure Switch (for models mfd. as of December 1, 2003) |
| 17 | 822752 | 1 | Fire Suppression System Temperature Probe Assembly (includes illus. nos. 17 through 19 and 21) |
| 18 | 154007 | 2 | Push-On Fastener |
| 19 | 390390 | 1 | Sensor Bracket ONLY |
| 20 | 150301 | 2 | #8-18 x 7/16" Phillips Pan Head TEK Screw |
| 21 | 122647 | 1 | Connector ONLY (does not include terminals) |

Outer Top / Back Guard Assemblies



| Illus. No. | Part No. | Qty. | Description |
|------------|----------|------|--|
| 1 | 323749 | 1 | Rear Electrical Box Cover (10-13/16" x 9-3/4") |
| 2 | 150301 | 6 | #8-18 x 7/16" Phillips Pan Head TEK Screw |
| 3 | 323759 | 1 | Top Back Guard Assembly (26-7/8" x 13-15/16") |
| 4 | 150301 | 6 | #8-18 x 7/16" Phillips Pan Head TEK Screw |
| 5 | 150301 | 8 | #8-18 x 7/16" Phillips Pan Head TEK Screw |
| 6 | 312527 | 1 | Outer Top Assembly |
| 7 | 314511 | 1 | Lower Back Guard |
| 8 | 150301 | 10 | #8-18 x 7/16" Phillips Pan Head TEK Screw |
| 9 | 103500 | 4 | Leveling Leg |
| 10 | 882203 | 1 | 12" to 14" Exhaust Increaser |

Additional Parts Available

| <u>Part No.</u> | <u>Description</u> |
|-----------------|--|
| 112280 | "Clean Lint Screen" Label |
| 112519 | "Routine Maintenance Schedule" Label |
| 114001 | "CAUTION – Exhaust / Lint Screen" Label |
| 114006 | "WARNING – Fire Hazards" Label |
| 117505 | Aluminum Duct Tape (sold by the foot) |
| 120100 | 3/8" Straight (BX) Connector |
| 120301 | 1/2" x 45° (BX) Connector |
| 120400 | 3/8" Red Jacket (BX) Insulator |
| 120500 | 3/8" Jiffy Clip (BX retainer clip) |
| 120600 | 3/8" Greenfield (BX) |
| 120800 | 1/4" In-Line Connector |
| 120802 | Red Butt Connector |
| 120902 | #74B Wire Nut |
| 120903 | Crimp-On Wire Nut |
| 121014 | 1/4" Insulated (female) Terminal |
| 121499 | 5-1/2" Harness Tie |
| 121500 | 8" Harness Tie |
| 121503 | Harness Tie Mounting Clip |
| 122804 | Manometer (hydro gauge) for Measuring Gas Pressure |
| 404502 | White Brush-In-Cap Bottle Touch-Up Paint |
| 404515 | Coral Blue Brush-In-Cap Bottle Touch-Up Paint |
| 882458 | Tumbler Bearing Puller |

