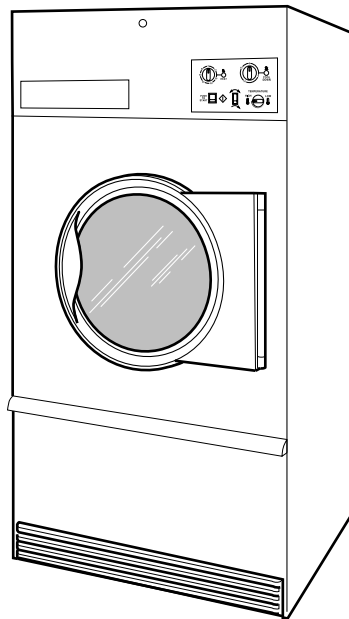


Drying Tumblers

50 Pound Capacity

Refer to Page 5 for Model Numbers



TMB795C

Table of Contents

Title	Page
Parts Ordering Information	3
Serial Plate Location.....	3
Model Identification.....	5
Control Box	6
Electromechanical Coin Drop	8
Coin Meter	10
Manual Dual Timer Controls.....	12
Manual Dual Timer Controls.....	14
OPL Microprocessor Controls.....	16
Coin Drop (NetMaster Models).....	18
NetMaster Card Reader.....	20
NetMaster Network Connection.....	22
Cabinet Front Components.....	24
Cabinet Front Components.....	26
Lower Cabinet Front Components.....	28
Cabinet Components	30
Door and Hinge Components	32
Cylinder and Trunnion Assemblies	34
Trunnion Housing	36
Drive Components For Reversing Models.....	38
Idler Drive Components for Nonreversing Models.....	40
Idler Housing Assembly for Reversing Models	42
Idler Housing Assembly For Nonreversing Models.....	44
Fan and Motor Components	46
Reversing Cylinder Drive Motor and Components	48
Gas Heater Components	50
Gas Heater Components	52
Non-EU Electric Heater Components	54
EU Electric Heater Components.....	56
Airflow Switch Assembly.....	58
Steam Heater and Valve.....	60
EU Emergency Stop Button.....	62

(continued)

© Copyright 2002, Alliance Laundry Systems LLC

All rights reserved. No part of the contents of this book may be reproduced or transmitted in any form or by any means without the expressed written consent of the publisher.

Contactor Box Assemblies	
Gas and Steam	64-77
Electric	78-89
Electric Accessory Box Assemblies	90-95
EU Contactor Box Assemblies	
Gas and Steam	96-115
Electric	116-131
Motor Usage Tables	132
Parts Index.....	133

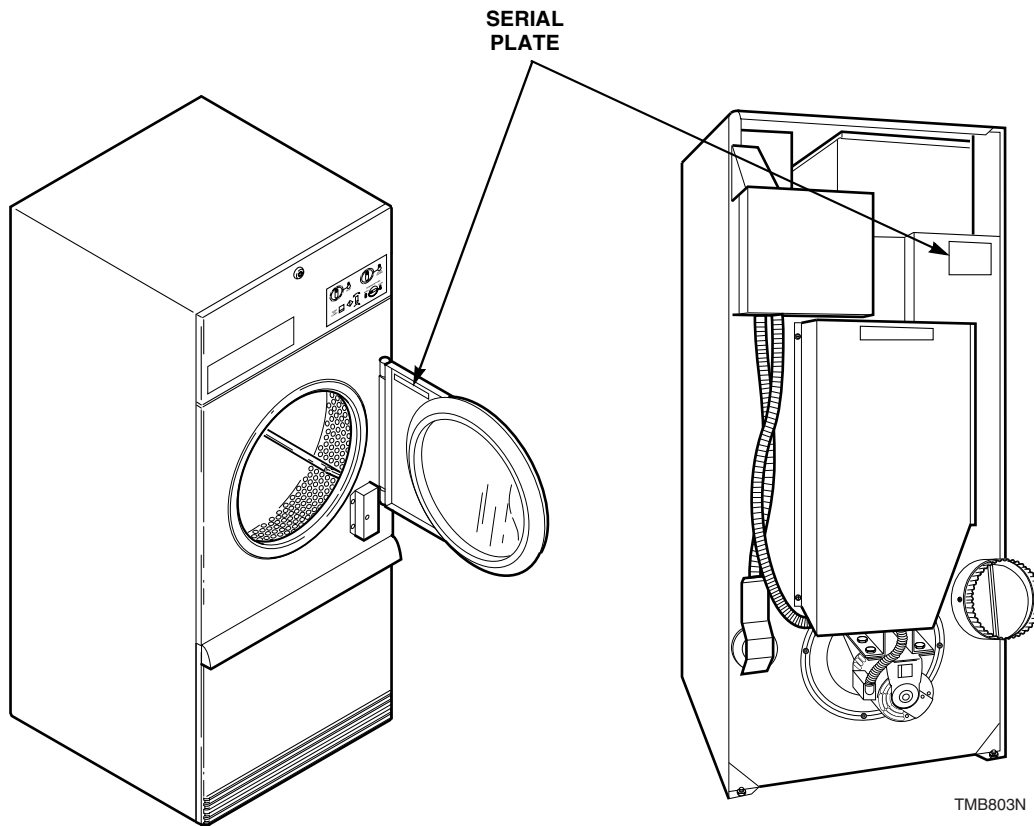
Parts Ordering Information

If literature or replacement parts are required, contact the source from whom the machine was purchased or contact Alliance Laundry Systems at (920) 748-3950 for the name and address of the nearest authorized parts distributor.

For technical assistance, call (920) 748-3121.

Serial Plate Location

When calling or writing about your product, be sure to mention model and serial numbers. Model and serial numbers are located on serial plate(s) as shown.



Model Identification

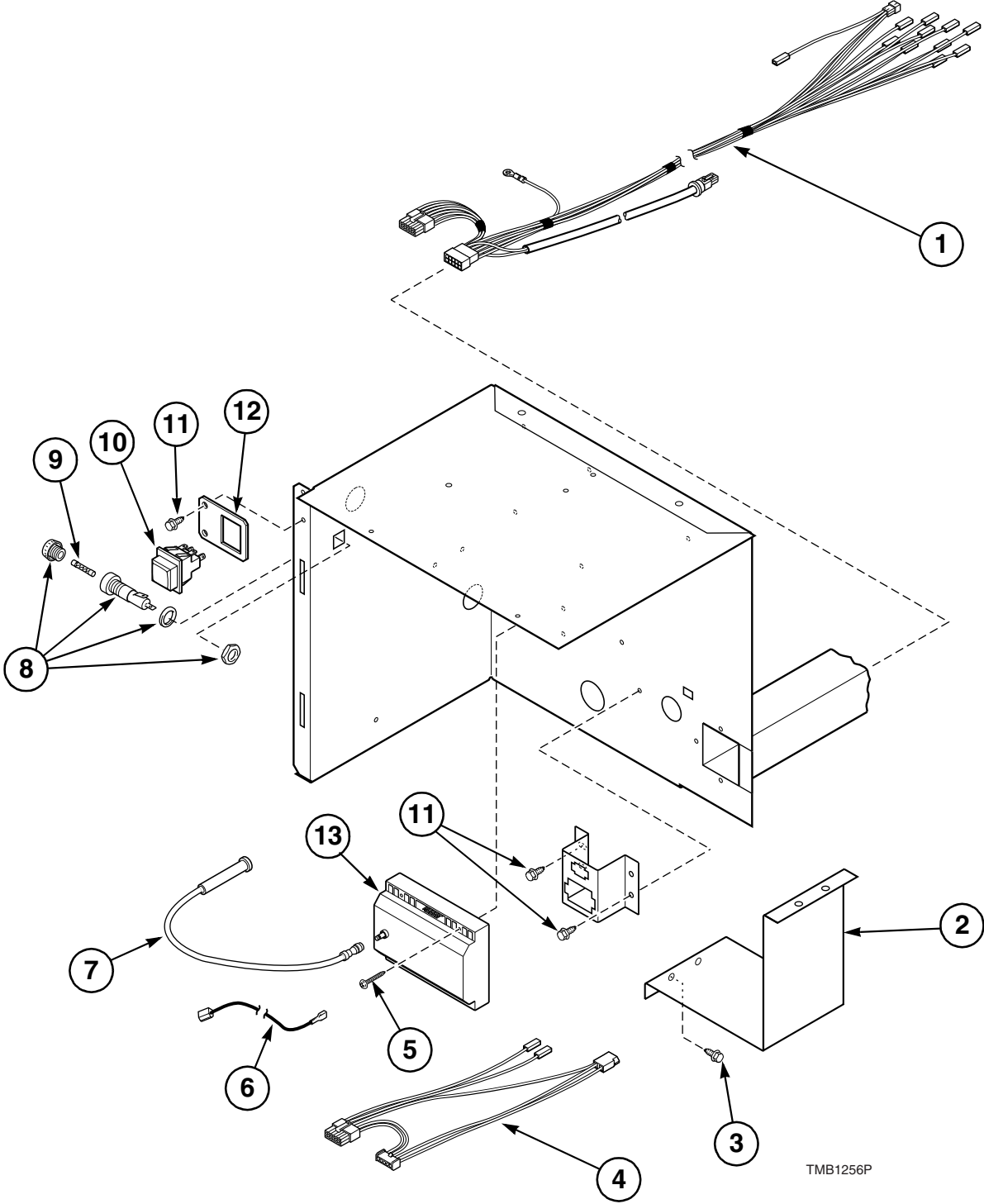
Information in this manual is applicable to the following models†:

Gas				Steam/Thermal Oil		Electric	
AT050L	HT050L	PT050L	SU050L	AT050S	PU050S	GT050E	PU050E
AT050N	HT050N	PT050N	SU050N	GT050S	ST050S	GU050E	ST050E
GT050L	HU050L	PU050L	UT050L	GU050S	SU050S	HT050E	SU050E
GT050N	HU050N	PU050N	UT050N	HT050S	UT050S	HU050E	UT050E
GU050L	LT050L	ST050L	UU050L	HU050S	UU050S	PT050E	UU050E
GU050N	LT050N	ST050N	UU050N	PT050S			
					GU050T		

†Control suffixes: (7th and 8th characters)

CD - rotary coin drop	NR - NetMaster card	RT - reversing manual timer
CX - prep for coin drop	NX - NetMaster prep for coin	ZC - NetMaster coin network ready
CY - prep for card	NY - NetMaster prep for card	ZR - NetMaster card network ready
MT - manual timer	OM - OPL micro	ZX - NetMaster prep for coin network ready
NC - NetMaster coin	RM - reversing OPL micro	ZY - NetMaster prep for card network ready

Control Box



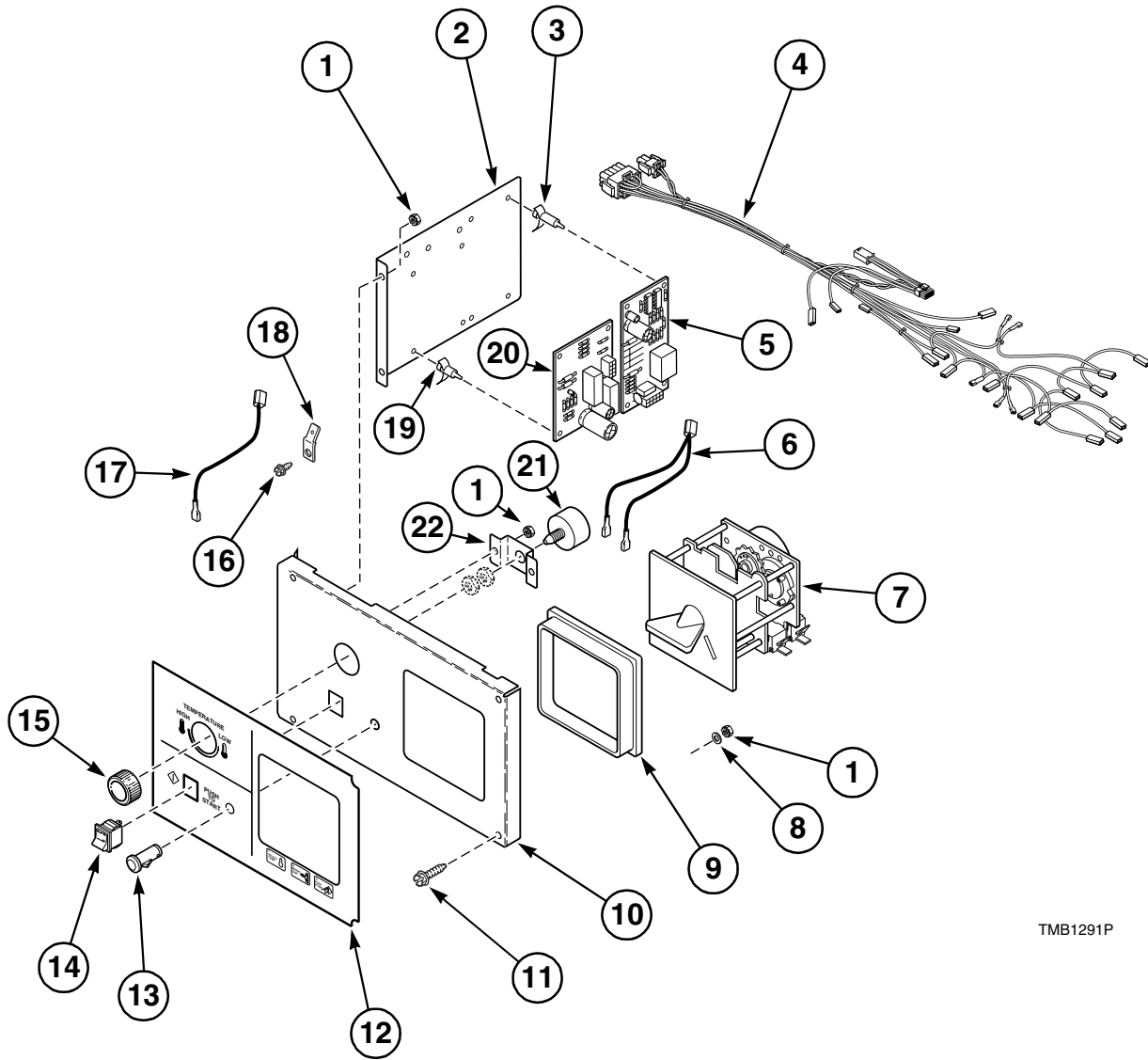
TMB1256P

Control Box

REF	PART #	DESCRIPTION	COMMENTS
1	44006301	Harness	Main; Non-EU models
	44006401	Harness	Main; EU models with control suffixes CD, MT or RT
	M413992	Harness	Main; EU models with control suffixes OM, RM, NC, NR, ZC or ZR
2	M414873	Shield	Models with control suffix NC, NR, ZC or ZR
3	51780	Screw	4 required
4	M413168	Harness	Bypass; Steam; EU models
	M413678	Harness	Control Box; Gas; All models except EU and Australian
	M413679	Harness	Bypass; Steam; All models except EU
	M413680	Harness	Control Box; Electric; All models except EU
	M413824	Harness	Control Box; Gas; Australian models
	M413993	Harness	Control Box; Gas; EU models
	M413994	Harness	Control Box; Electric; EU models
5	70069901	Screw	2 required; Gas models
	M411143	Screw	2 required; Australian gas models
6	M411061	Return Lead	Australian models; Gas
7	44005401	High Voltage Lead	Non-Australian models; Gas
	M410989	High Voltage Lead	Australian models; Gas
8	91024	Fuse Receptacle	Non-EU models
9	M414232	Fuse	Non-EU models
10	M413431	Reset Switch	EU models; Gas
11	430497	Screw	
12	44005101	Switch Bracket	EU models; Gas
13	M410904P	Ignition Control	Australian models; Gas
	M413433P	Ignition Control	EU models; Gas
	M413532P	Ignition Control	Non-EU models, Non-Australian; Gas

Electromechanical Coin Drop

Models with Control Suffix CD



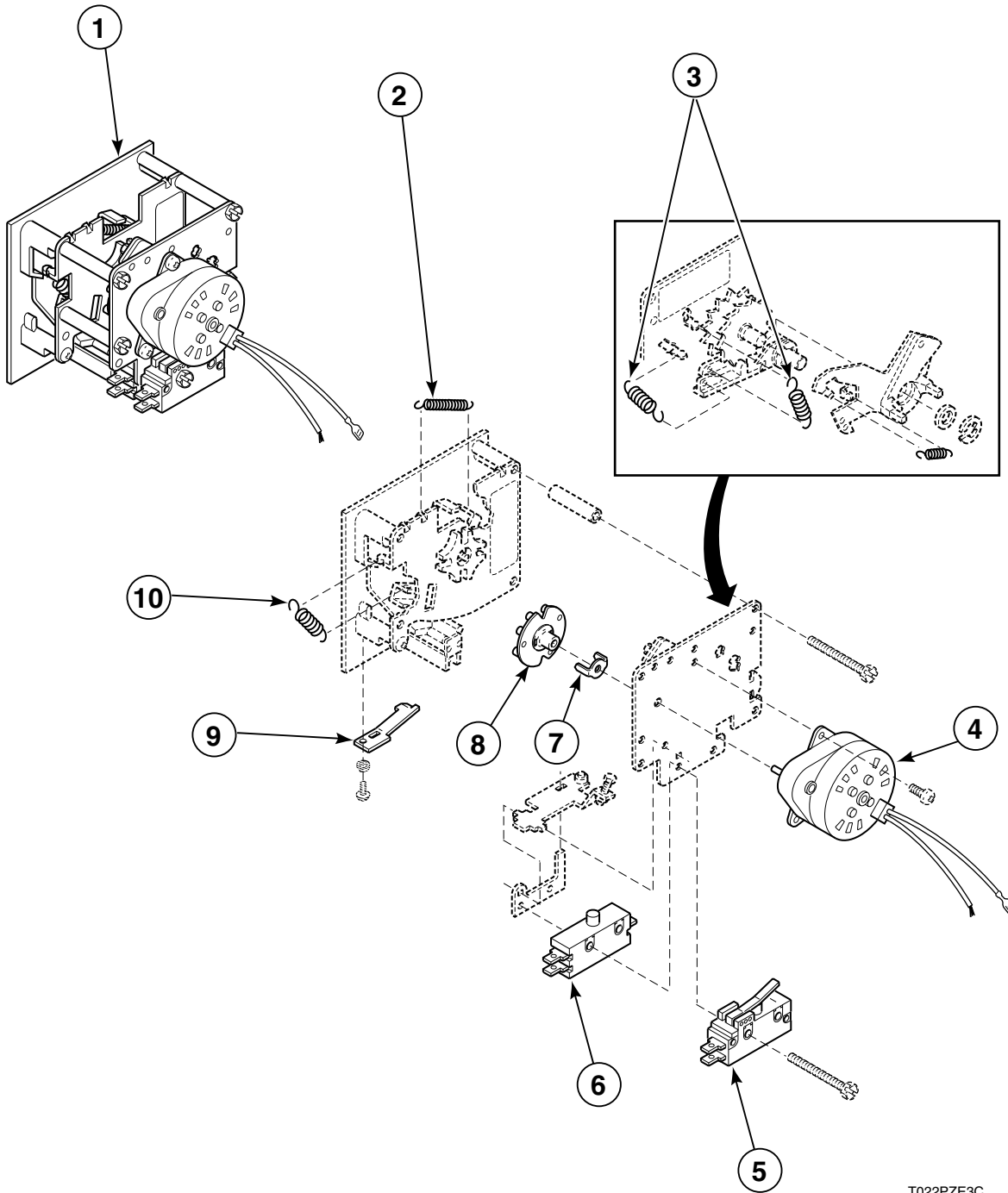
TMB1291P

Electromechanical Coin Drop

Models with Control Suffix CD

REF	PART #	DESCRIPTION	COMMENTS
	M409532	Cam Package	Timing cams
1	70054	Nut	7 required
2	44018601	Bracket	Temperature control
3	34896	Circuit Board Support	4 required
4	44005501	Control Panel Harness	Non-EU models
	44006601	Control Panel Harness	EU models; Electric
	44025801	Control Panel Harness	EU models; Gas and steam
5	431347P	Temperature Control Board	
6	70084104	Jumper Calibration	
7	70112401	Coin Meter	Australia .20/5
	70112501	Coin Meter	Australia 1/15
	70112701	Coin Meter	US .25/10; 60 Hertz
	70137301	Coin Meter	Standard 118-1; 60 Hertz
	70137401	Coin Meter	Standard 118-5; 60 Hertz
	70138401	Coin Meter	US .25/10; 50 Hertz
	70151301	Coin Meter	South Africa .20/10
	M412542	Coin Meter	England 20 Pence
	M412544	Coin Meter	Denmark 1 Krone
	M412546	Coin Meter	Standard 118-1; 50 Hertz
	M412547	Coin Meter	Standard 118-5/10; 50 Hertz
	70262401	Coin Meter	Euro .20
	70262501	Coin Meter	Euro .50
	8	M405535	Washer
9	70061701	Shroud	Rotary drop
10	70175804	Control Plate Assembly	
11	70069901	Screw	2 required
12	70113501	Overlay	Models beginning with S; Text and icon
	70114301	Overlay	Models beginning with H; Text and icon
	70129101	Overlay	Models beginning with G; Icon only
	70131001	Overlay	Models beginning with S; Icon only
	70134801	Overlay	Models beginning with H; Icon only
	70183501	Overlay	Models beginning with P; Text and icon
13	70082201	Indicator Light	
14	70108501	Start Switch	
15	44020501	Temperature Knob	Models beginning with A, P, S and U
	44020502	Temperature Knob	Models beginning with G and H
16	430497	Screw	
17	M412645	Ground Wire	
18	M406178	Ground Terminal	
19	70178801	Circuit Board Support	4 required
20	70175301P	Control Timer Board	
21	431353P	Temperature Switch	Potentiometer
22	70080701	Bracket	

Coin Meter



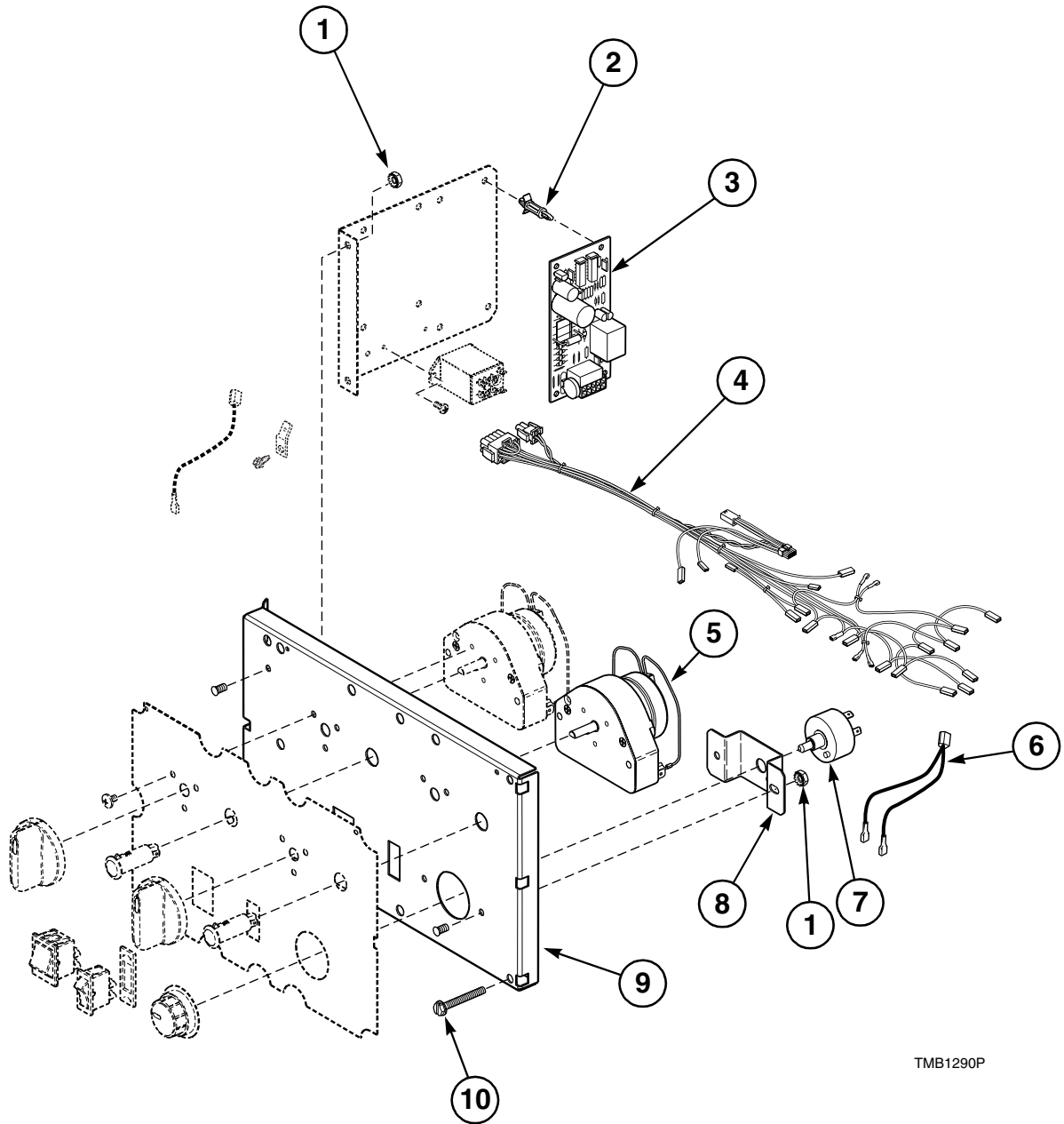
T022PZE3C

Coin Meter

REF	PART #	DESCRIPTION	COMMENTS
1		Coin Meter	Refer to page 9
2	M405138B	Spring Return	
3	M402455	Coil Spring	
4	70218201	Timer Motor	60 Hertz
	70218301	Timer Motor	50 Hertz
5	M400947	Switch	Heat
6	M400001	Switch	Run
7	M400754	Coin Meter Drive	
8	M400732P	Timing Cam	10-Pin
	M400733P	Timing Cam	12-Pin
	M400734P	Timing Cam	2-Pin
	M400735P	Timing Cam	3-Pin
	M400736P	Timing Cam	4-Pin
	M400737P	Timing Cam	5-Pin
	M400738P	Timing Cam	6-Pin
	M400739P	Timing Cam	7-Pin
	M400740P	Timing Cam	8-Pin
	M400741P	Timing Cam	9-Pin
9	M406297	Coin Retainer Spring	
10	M405138A	Coin Carrier Spring	

Manual Dual Timer Controls

Page 1 of 2



TMB1290P

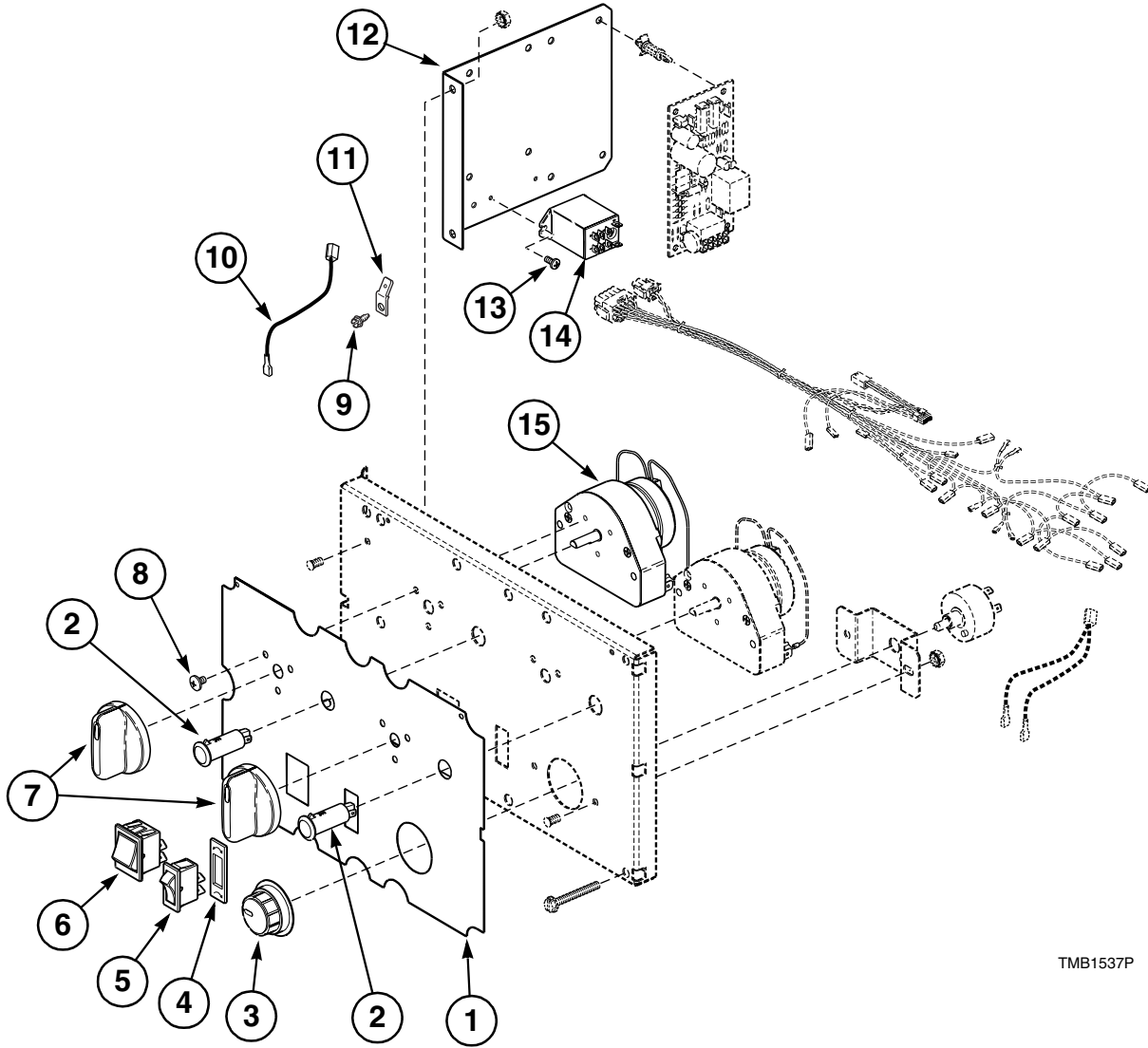
Manual Dual Timer Controls

Page 1 of 2

REF	PART #	DESCRIPTION	COMMENTS
1	70054	Nut	4 required
2	34896	Circuit Board Support	4 required
3	431347P	Temperature Control Board	
4	44005601	Control Panel Harness	Nonreversing; Non-EU models
	44005701	Control Panel Harness	Reversing; Non-EU models
	44006701	Control Panel Harness	Nonreversing; EU models; Electric
	44006801	Control Panel Harness	Reversing; EU models; Electric
	44025601	Control Panel Harness	Nonreversing; EU models; Gas and steam
	44025701	Control Panel Harness	Reversing; EU models; Gas and steam
5	70131701P	Timer	Heat; 60 Hertz
	M412080P	Timer	Heat; 50 Hertz
6	70084104	Calibration Jumper	
7	431353	Temperature Switch	Potentiometer
8	70080701	Bracket	
9	70175803	Control Plate Assembly	Includes self-clinching studs
10	70069901	Screw	2 required

Manual Dual Timer Controls

Page 2 of 2



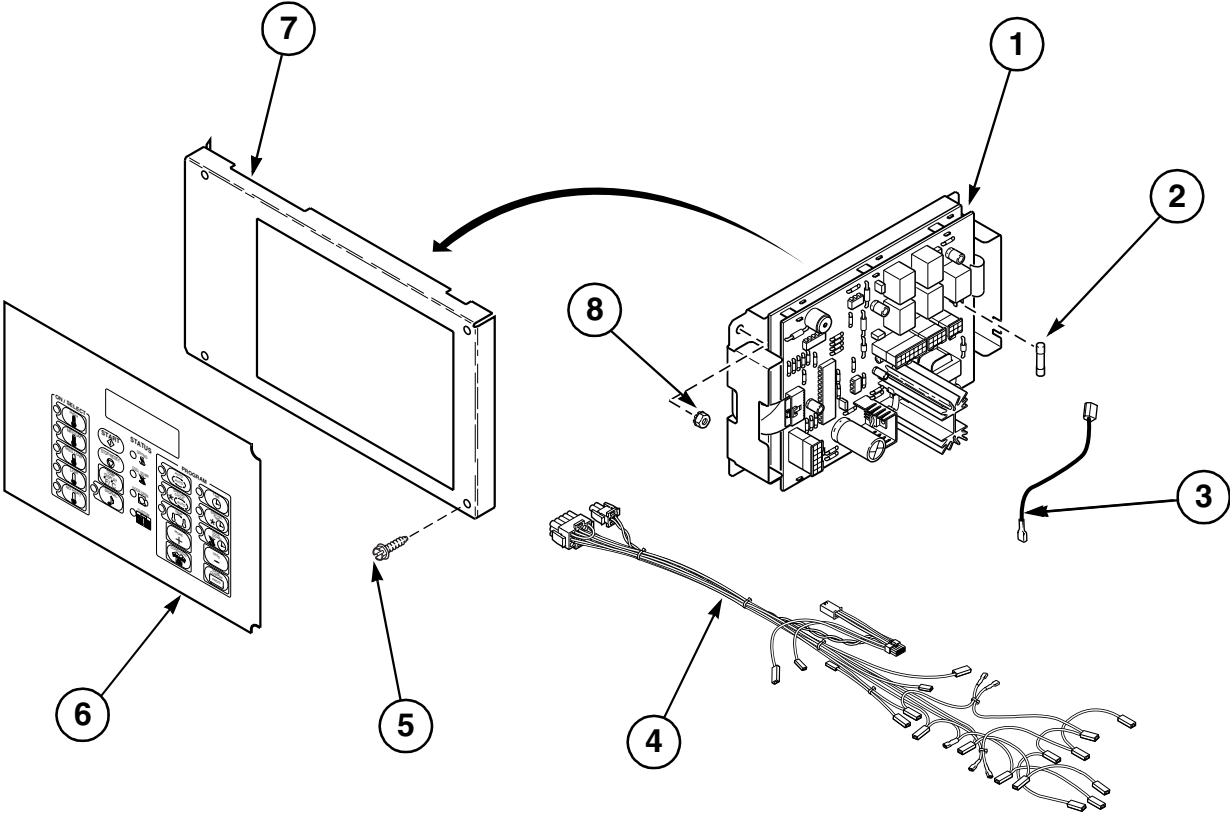
TMB1537P

Manual Dual Timer Controls

Page 2 of 2

REF	PART #	DESCRIPTION	COMMENTS
1	70114501	Control Overlay	Models beginning with A, S or U; Nonreversing
	70114502	Control Overlay	Models beginning with A, S or U; Reversing
	70129201	Control Overlay	Models beginning with G; Nonreversing
	70129202	Control Overlay	Models beginning with G; Reversing
	70245901	Control Overlay	Models beginning with P; Nonreversing
	70245902	Control Overlay	Models beginning with P; Reversing
	70246001	Control Overlay	Models beginning with H; Nonreversing
	70246002	Control Overlay	Models beginning with H; Reversing
	70246101	Control Overlay	Models beginning with H; Nonreversing; Icon only
	70246102	Control Overlay	Models beginning with H; Reversing; Icon only
	70134901	Control Overlay	Models beginning with S or U; Nonreversing; Icon only
	70134902	Control Overlay	Models beginning with S or U; Reversing; Icon only
2	70082201	Indicator Light	
3	44020501	Temperature Knob	Models beginning with A, P, S or U
	44020502	Temperature Knob	Models beginning with G or H
4	M413236	Switch Plate	Reversing
5	M413270	Rocker Switch	Reversing
6	70108501	Rocker Switch	Push to start
7	70082101	Timer Knob	Models beginning with A, P, S or U
	M410927	Timer Knob	Models beginning with G or H
8	M411052	Screw	3 required per timer
9	430497	Screw	
10	M412645	Ground Wire	
11	M406178	Ground Terminal	
12	44018601	Temperature Control Bracket	
13	M402797	Screw	Non-EU models; 2 required
14	M412534	Relay	Non-EU models
15	70131801P	Timer	Cooling; 60 Hertz
	M412079P	Timer	Cooling; 50 Hertz

OPL Microprocessor Controls



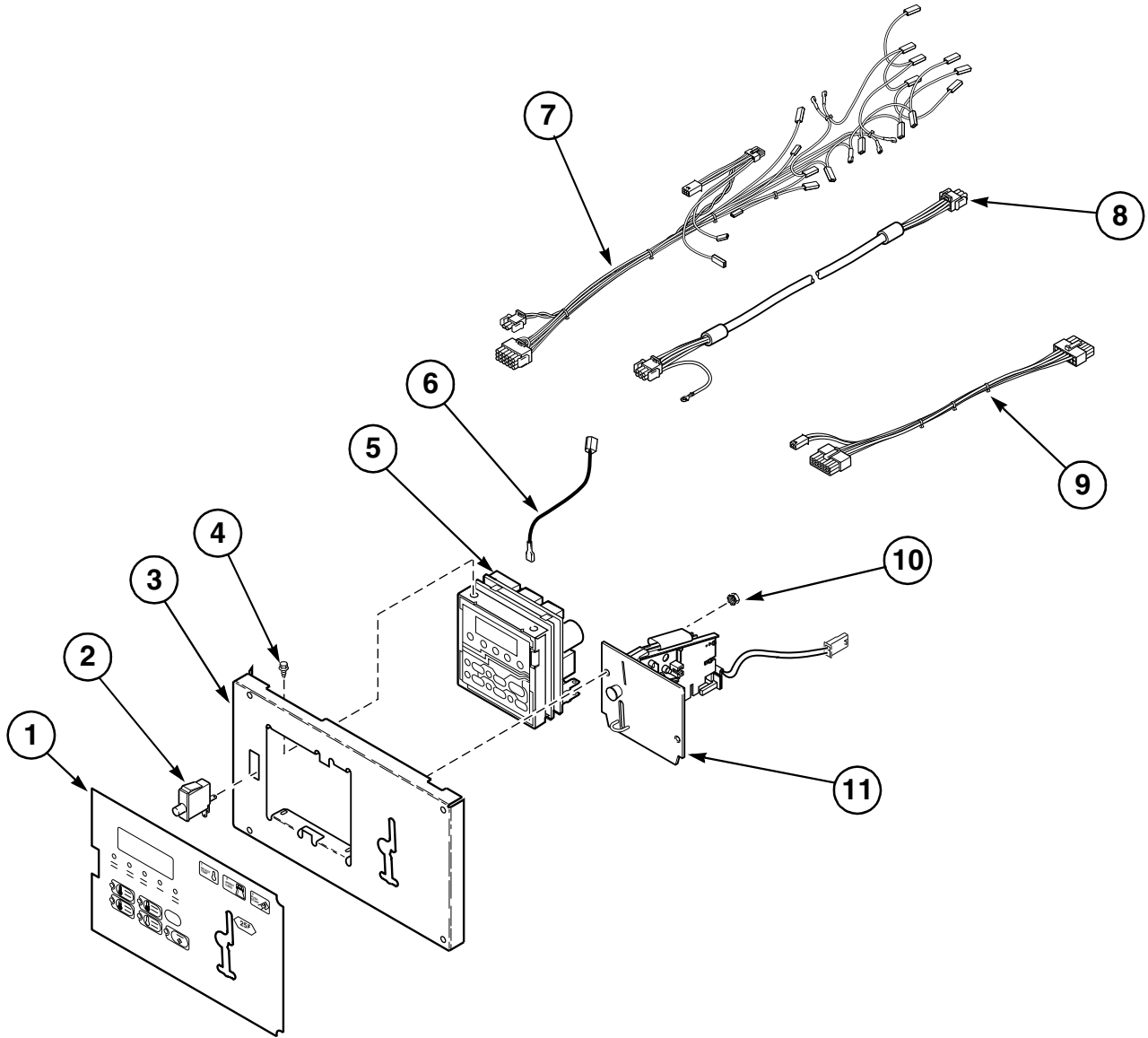
TMB1367P

OPL Microprocessor Controls

REF	PART #	DESCRIPTION	COMMENTS
	44013601	Control Assembly	NO overlay or control panel harness
1	70228401P	Control	With tape
2	M414103	Fuse	
3	M412645	Ground Wire	
4	44016701	Control Panel Harness	Non-EU models; Nonreversing
	44016702	Control Panel Harness	Non-EU models; Reversing
	44017001	Control Panel Harness	EU models; Nonreversing
	44017002	Control Panel Harness	EU models; Reversing
5	70069901	Screw	2 required
6	70115801	Overlay	Models beginning with A, S or U; Nonreversing; Text and icon
	70128401	Overlay	Models beginning with A, S or U; Reversing; Text and icon
	70128601	Overlay	Models beginning with H; Reversing; Text and icon
	70128701	Overlay	Models beginning with H; Nonreversing; Text and icon
	70130301	Overlay	Models beginning with P; Nonreversing; Text and icon
	70130401	Overlay	Models beginning with A, G, S or U; Nonreversing; Icon only
	70130501	Overlay	Models beginning with A, G, S or U; Reversing; Icon only
	70130601	Overlay	Models beginning with H; Nonreversing; Icon only
	70130701	Overlay	Models beginning with H; Reversing; Icon only
	70135301	Overlay	Models beginning with P; Reversing; Text and icon
7	44013701	Mounting Assembly	
8	70054	Nut	4 required

Coin Drop

(NetMaster Models)



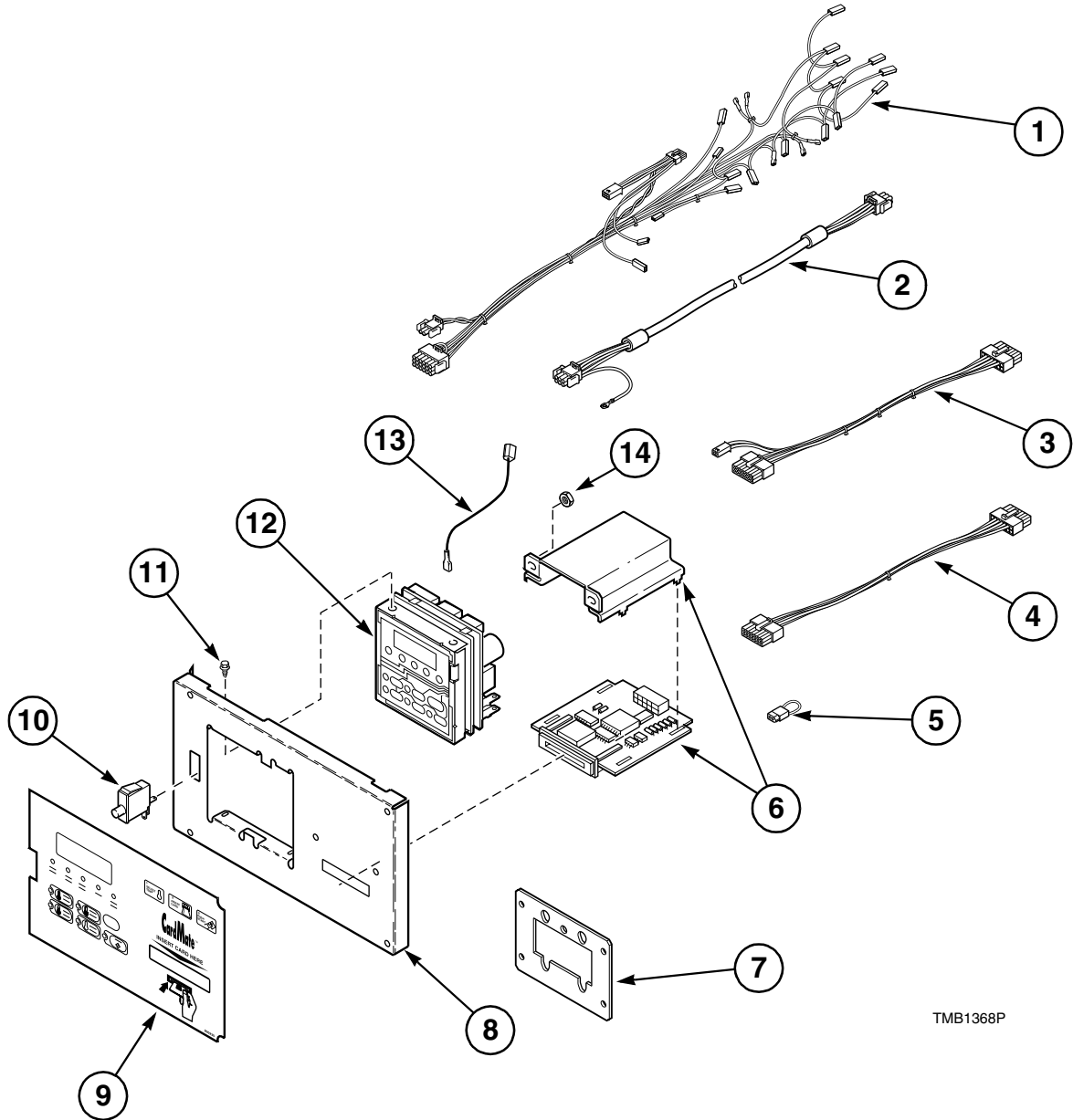
TMB1648P

Coin Drop

(NetMaster Models)

REF	PART #	DESCRIPTION	COMMENTS
1	70184301	Electronic Control Overlay	Models beginning with S; Single drop
	70184302	Electronic Control Overlay	Models beginning with S; Dual drop
	70239601	Electronic Control Overlay	Models beginning with H; Single drop
	70239602	Electronic Control Overlay	Models beginning with H; Dual drop
2	70107001	Switch	Push button
3	70175807	Control Plate Assembly	Models with control suffix NC
4	501524	Screw	4 required; For mounting control
5	510034	Electronic Control	
6	M412645	Ground Wire	
7	44010801	Control Panel Harness	Non-EU models
	44010901	Control Panel Harness	EU models
8	M414875	Communication Cable	Models with control suffix ZC
9	800217	Network Harness Assembly	Models with control suffix ZC
10	70054	Nut	3 required
11	38479	Coin Drop	US .25/10
	38475	Coin Drop	Japan 100Yen
	38519	Coin Drop	Japan 100/500 Yen
	38467	Coin Drop	Australia .20/1.00
	39748	Coin Drop	Token Jeton; EU models; 50 Hertz
	210195	Coin Drop	Euro .50/1.0
	210196	Coin Drop	Euro .20/1.0
	70256401	Coin Drop	US .25/1.00

NetMaster Card Reader

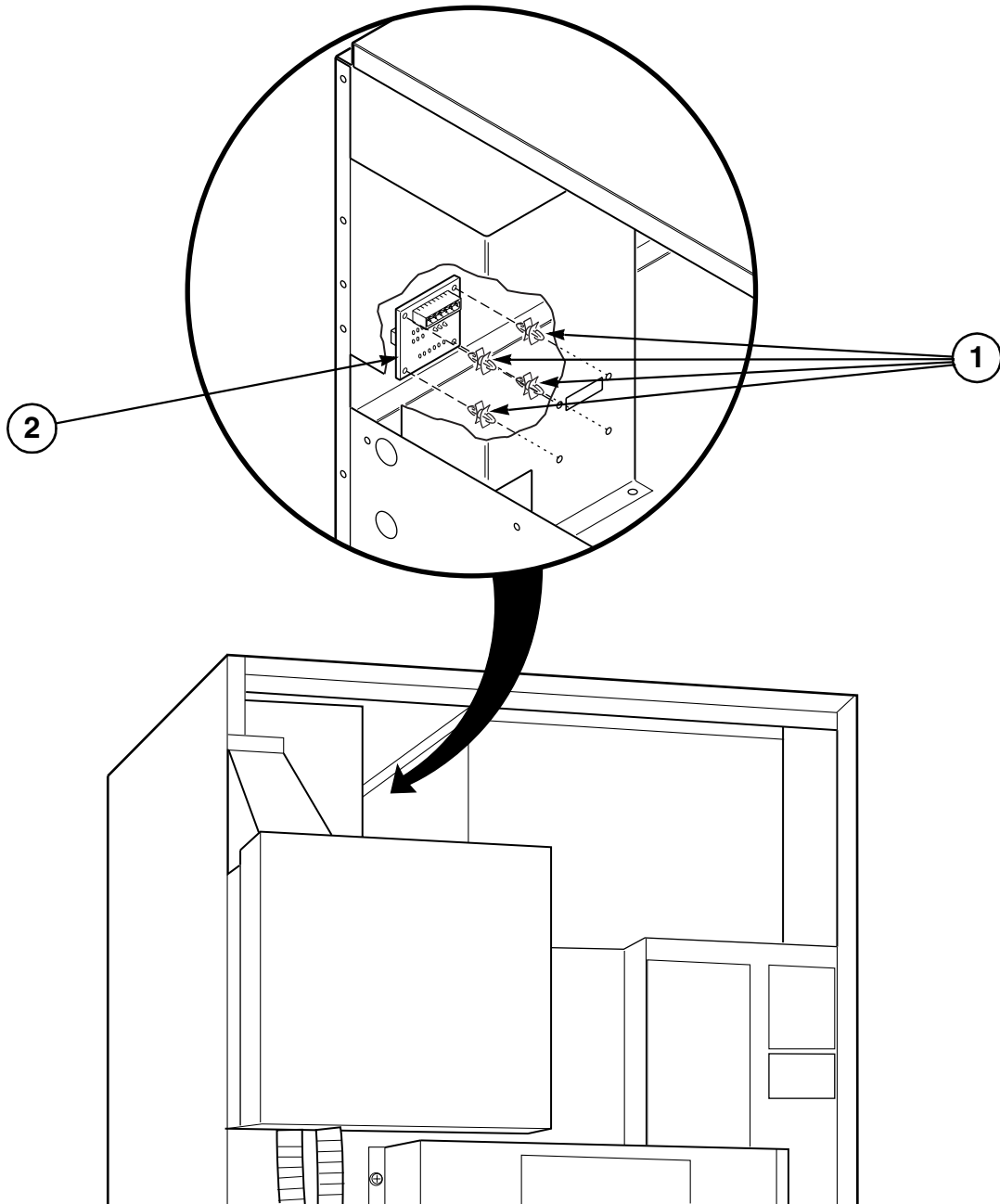


TMB1368P

NetMaster Card Reader

REF	PART #	DESCRIPTION	COMMENTS
1	44010801	Control Panel Harness	Non-EU models
	44010901	Control Panel Harness	EU models
2	M414875	Communication Cable	Models with control suffix ZR
3	800217	Network Harness Assembly	Models with control suffix ZR
4	70206601	Card Reader/Network Harness	Models with control suffix ZR
	70211801	Card Reader Harness	Models with control suffix NR
5	M414874	Jumper-Bypass Wire	
6	510068	Card Reader and Bracket Assembly	Models with control suffix NR and ZR
7	70208801	Mounting Plate	Models with control suffix NY
8	70175808	Control Plate Assembly	Models with control suffix NR and ZR
	70175809	Control Plate Assembly	Models with control suffix NY
9	70184303	Overlay	Models beginning with S; Models with control suffix NY
	70184401	Overlay	Models beginning with S; Models with control suffix NR or ZR
	70239501	Overlay	Models beginning with H; Models with control suffix NR or ZR
	70239603	Overlay	Models beginning with H; Models with control suffix NY
10	70107001	Switch	
11	501524	Screw	4 required
12	505905P	NetMaster Control Assembly	
13	M412645	Ground Wire	
14	70054	Nut	2 required for models with control suffix NR or ZR; 4 required for models with control suffix NY

NetMaster Network Connection



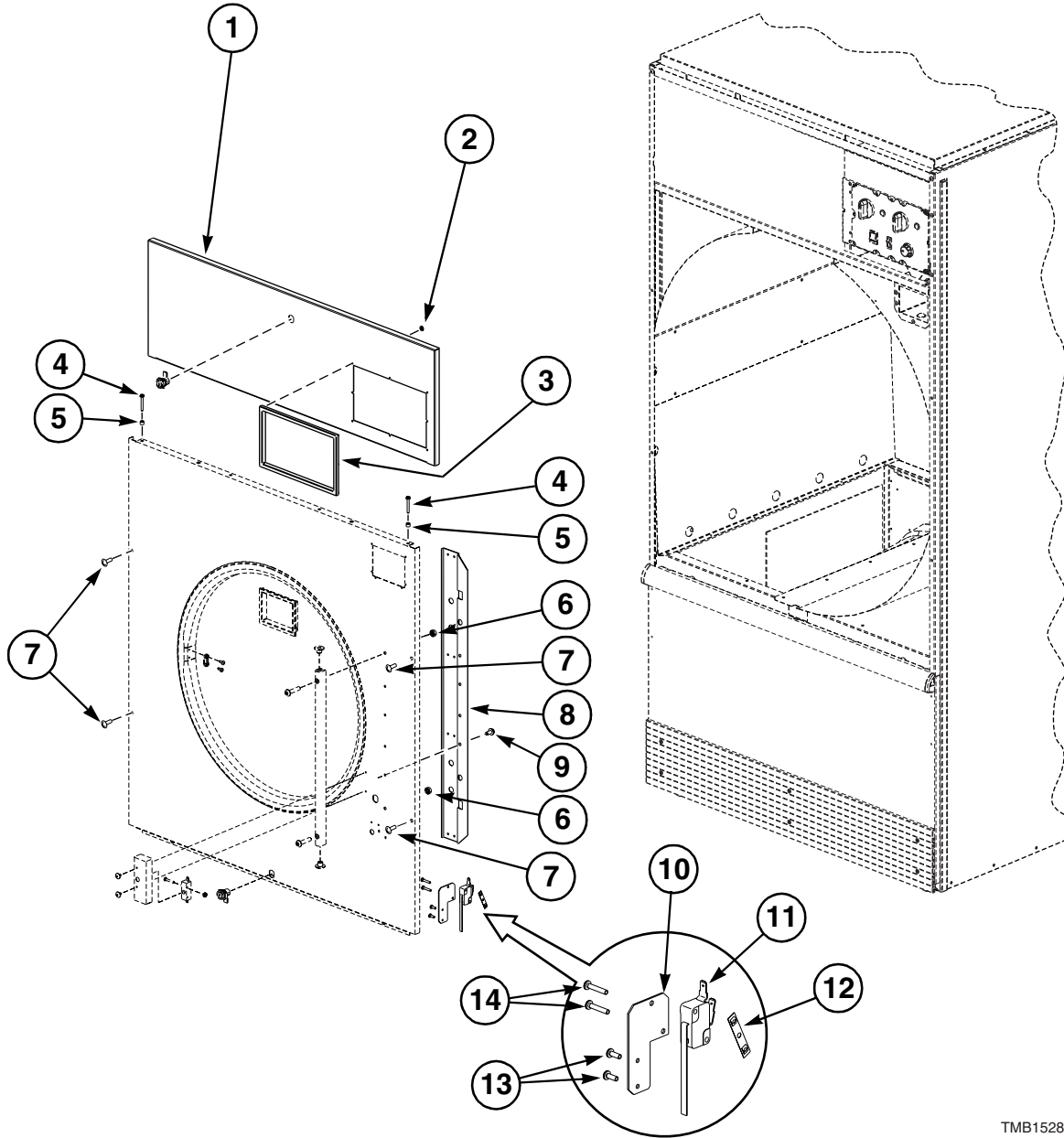
TMB1370K

NetMaster Network Connection

REF	PART #	DESCRIPTION	COMMENTS
1	210098	Standoffs	4 required
2	210095	Interface Board	

Cabinet Front Components

Page 1 of 2



TMB1528P

Cabinet Front Components

Page 1 of 2

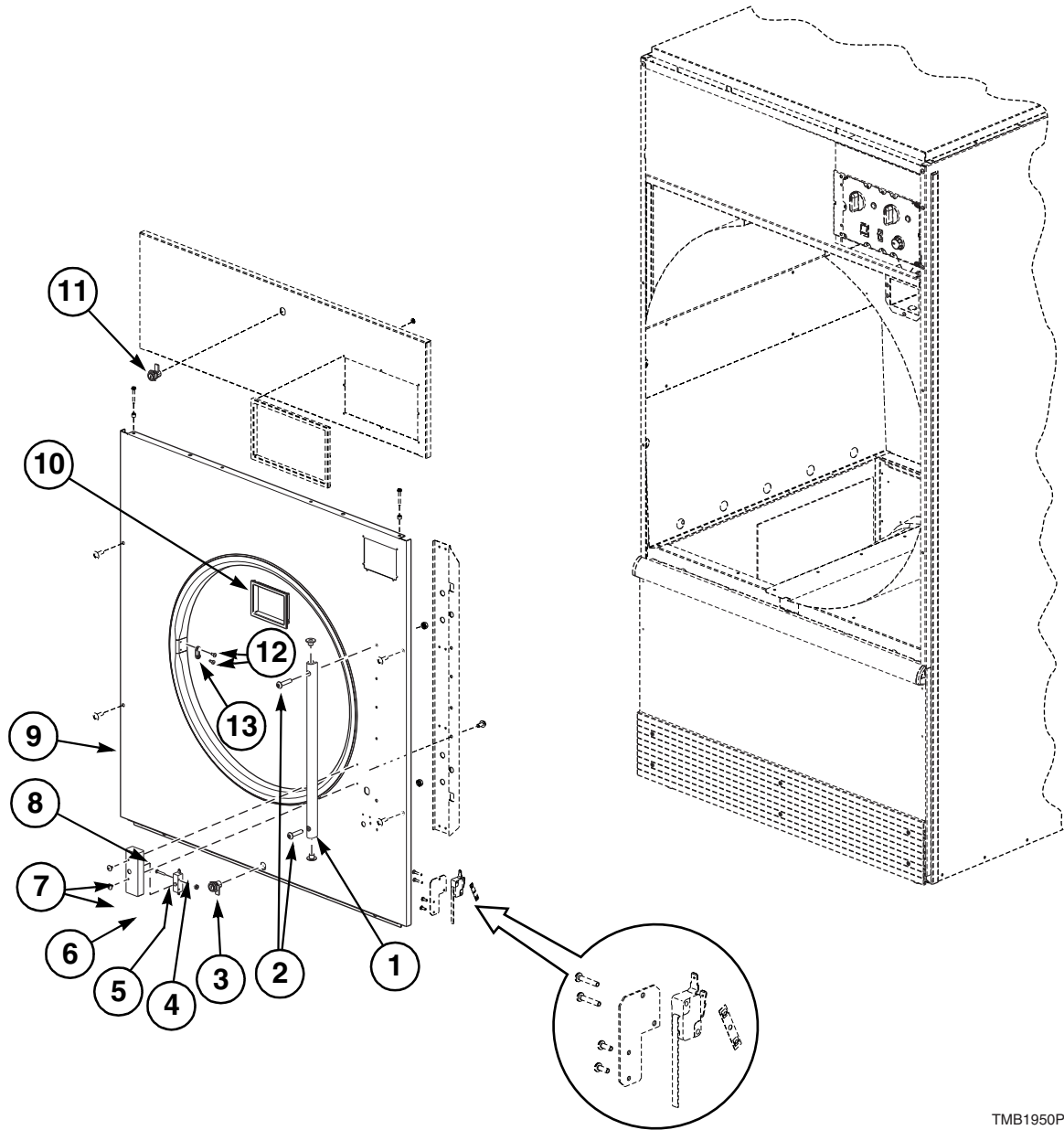
REF	PART #	DESCRIPTION	COMMENTS
	44006901	Front Panel Harness	Non-EU models
	44023701	Front Panel Harness, Coin	EU models
	44007001	Front Panel Harness, Non-Coin	EU models
	44023001	Coin Vault Switch Harness	Models with control suffixes NC, NX, ZC and ZX
	M400984	Clip	4 required for Item 7 (on page 27) application
	M400972	Shadow Box Clip	6 required for Item 10 (on page 27) application
	M411072	Screw	6 required; Front panel attach
	70030501	Expansion Clip	Upper and lower front panel attachment
1	44000117*	Control Panel	Models beginning with A, H, P, S and U
	44000118	Control Panel	Models beginning with A, H, P, S and U; Stainless steel
	44000119*	Control Panel	Models beginning with G
	44000120	Control Panel	Models beginning with G; Stainless steel
	44000117BLK	Control Panel	Models beginning with L
2	M400977	Nut	8 required
3	44016401	Control Trim	Models beginning with A, G, N, P, S and U
	44016301	Control Trim	Models beginning with H
4	39733	Screw	
5	56079	Panel Locator	
6	29786	Nut	
7	M402585	Screw	
8	44001801	Door Switch Wire Channel	
9	44023301	Screw	
10	44011501	Lint Panel Switch Bracket	
11	44011601	Lint Panel Switch	
12	M400979	Twin Speed Nut	
13	51782	Screw	
14	M401938	Screw	

* Add letter to designate color:

L - Almond W - White P - Turquoise

Cabinet Front Components

Page 2 of 2



TMB1950P

Cabinet Front Components

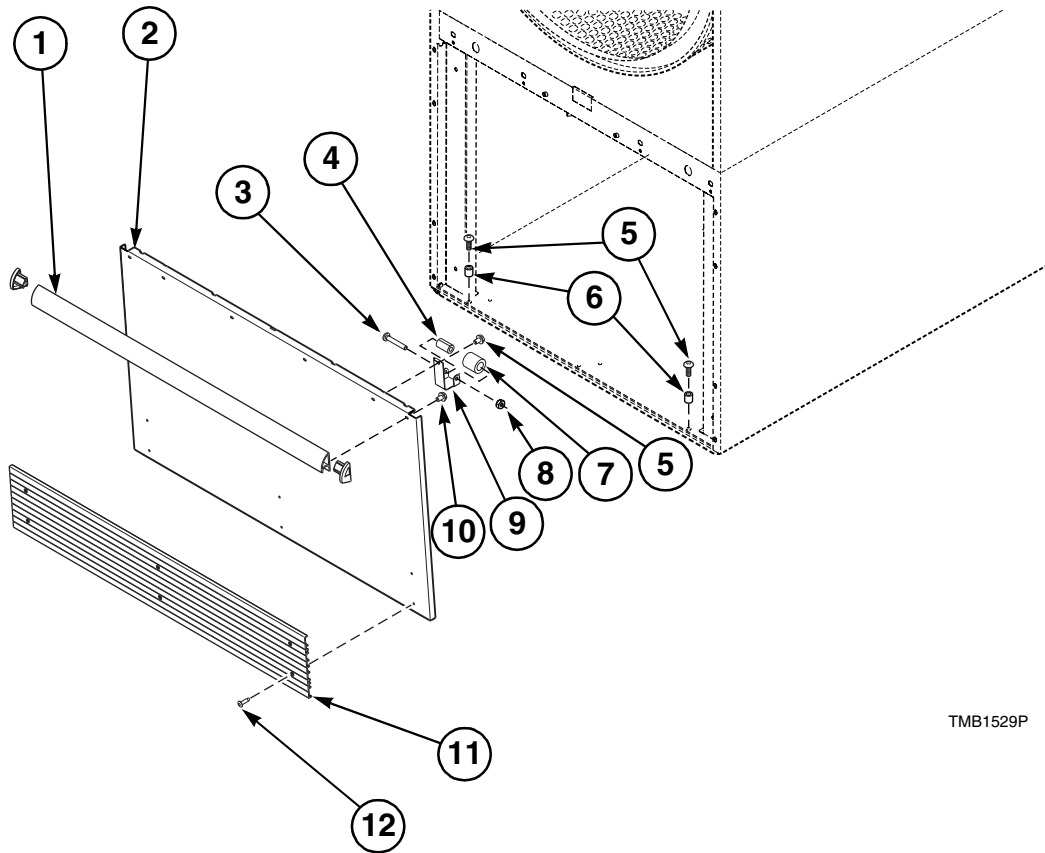
Page 2 of 2

REF	PART #	DESCRIPTION	COMMENTS
1	44035001	Lug Hinge Assembly	Includes flanged bushings part number 70071101
2	70033504	Screw	
3	70155501	Lock, Lint Panel	RL001; Coin and card models; Key part number 70155601
	70155502	Lock, Lint Panel	RL02; Standard coin and card models; Key part number 70155602
4	02788	Nut	
5	44018201	Switch	
6	44001301	Door Switch Cover	
7	431287	Screw	
8	M402574	Screw	
9	44000205*	Front Panel, OPL	Non-Coin; Non-EU models; Models with control suffixes MT, OM, RM and RT
	44000206	Front Panel, OPL	Non-Coin; Non-EU models; Models with control suffixes MT, OM, RM and RT; Stainless steel
	44000201*	Front Panel, Coin	Coin/Card; Models with control suffixes CD, CX, NC, NX, ZC and ZX
	44000202	Front Panel, Coin	Coin/Card; Stainless steel; Models with control suffixes CD, CX, NC, NX, ZC and ZX
	44000203*	Front Panel, Card	Card ready; Models with control suffixes CY, NR, NY, ZR and ZY
	44000204	Front Panel, Card	Card ready; Stainless steel; Models with control suffixes CY, NR, NY, ZR and ZY
	44000211*	Front Panel	Non-Coin; EU models; Models with control suffixes MT, OM, RM and RT
	44000212	Front Panel	Non-Coin; EU models; Stainless steel; Models with control suffixes MT, OM, RM and RT
10	70117501	Coin Vault Trim	Models beginning with H
	70117502	Coin Vault Trim	Models beginning with L, P and S
11	70155501	Lock, Control	RL001
12	M400003	Pop-Dome Rivet	
13	M401223	Door Latch	

* Add letter to designate color:

L - Almond W - White P - Turquoise

Lower Cabinet Front Components



TMB1529P

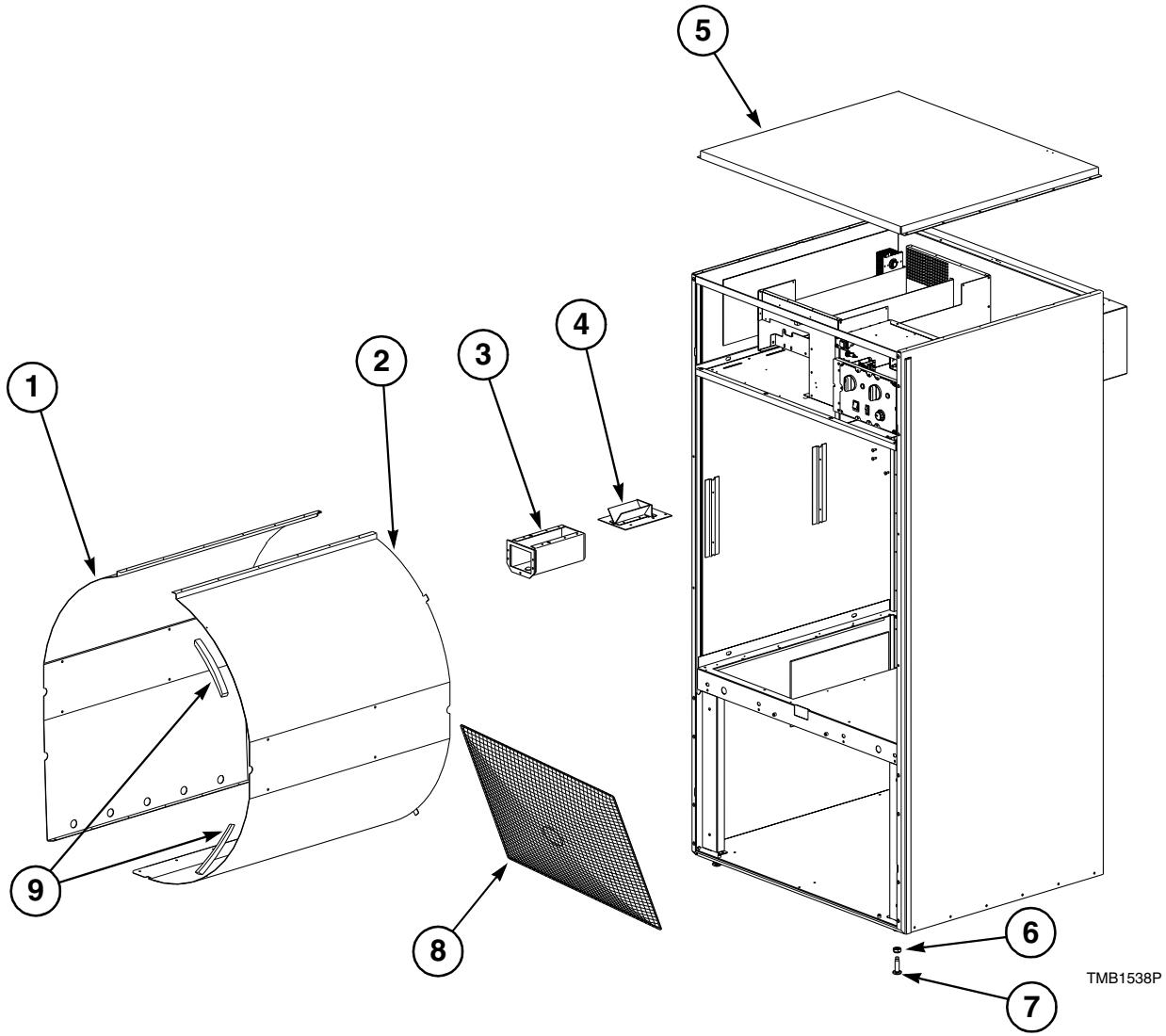
Lower Cabinet Front Components

REF	PART #	DESCRIPTION	COMMENTS
1	70154405	Bumper Assembly	Black; Includes endcaps; Models beginning with A, L, P, S and U
	70154406	Bumper Assembly	Gray; Includes endcaps; Models beginning with G and H
2	44000001*	Lint Panel	
	44000002	Lint Panel	Stainless steel
3	70072801	Screw	
4	70030201	Spacer	
5	39733	Screw	
6	56079	Panel Locator	
7	70030101	Wheel	
8	23951	Nut	
9	70030301	Arm	
10	70113001	Screw	4 required
11	70117607	Kickplate	Black; Models beginning with A, L, P, S and U
	70117608	Kickplate	Dark gray; Models beginning with G and H
12	70126301	Pop Rivet	6 required; Models beginning with A, L, P, S and U
	70126401	Pop Rivet	6 required; Models beginning with G and H

* Add letter to designate color:

L - Almond W - White P - Turquoise

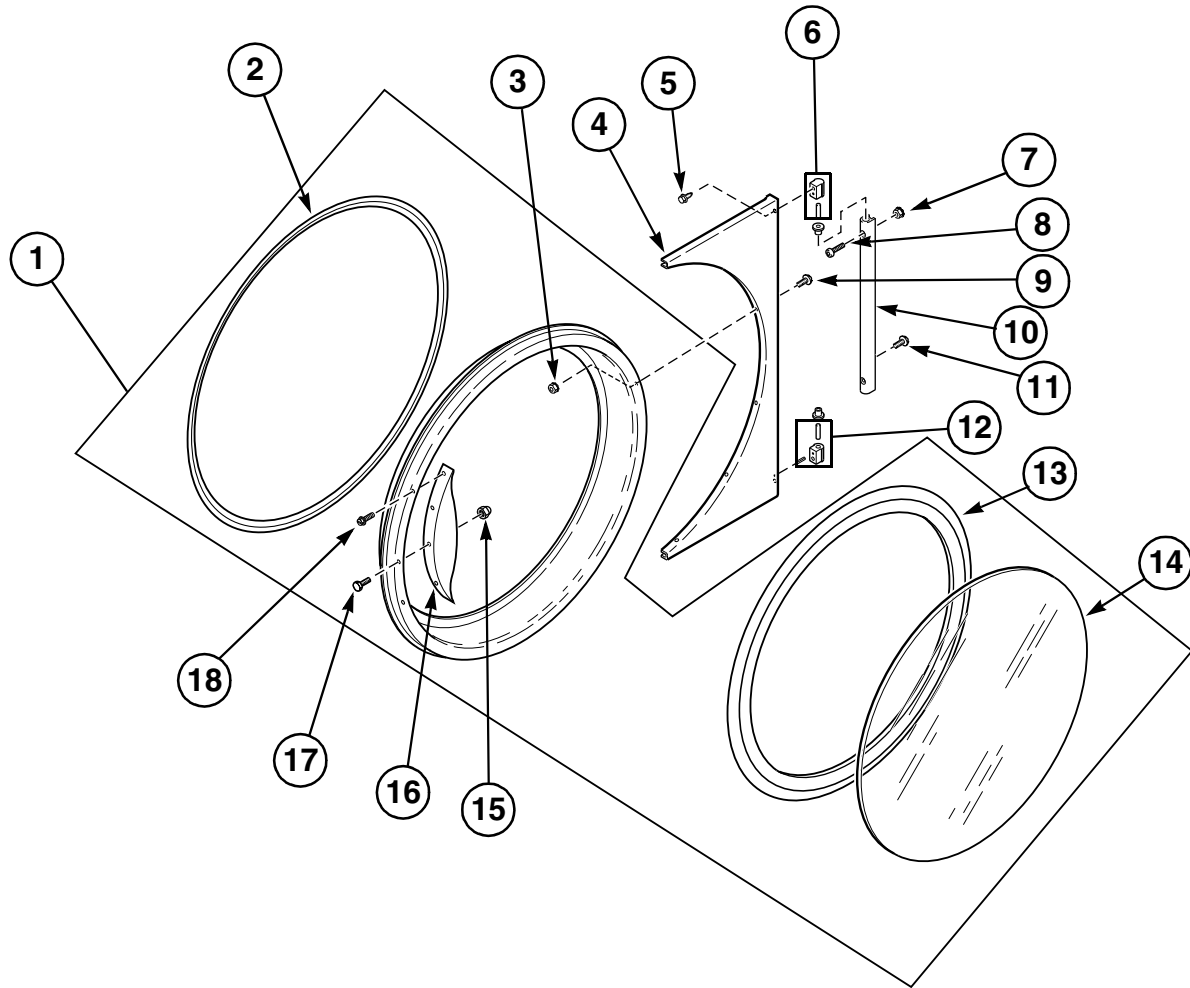
Cabinet Components



Cabinet Components

REF	PART #	DESCRIPTION	COMMENTS
1	44005201	Baffle	Left
2	44004901	Baffle	Right
3	70180101	Coin Vault Assembly	
4	70243701	Coin Shute Assembly	
5	M414719	Top Cover	Non-Steam models
	M414759	Top Cover	Steam models
6	21899	Nut	
7	70247701	Screw	Leveling leg
8	44020701	Lint Screen	
9	70015701	Baffle Gasket	

Door and Hinge Components



TMB1539P

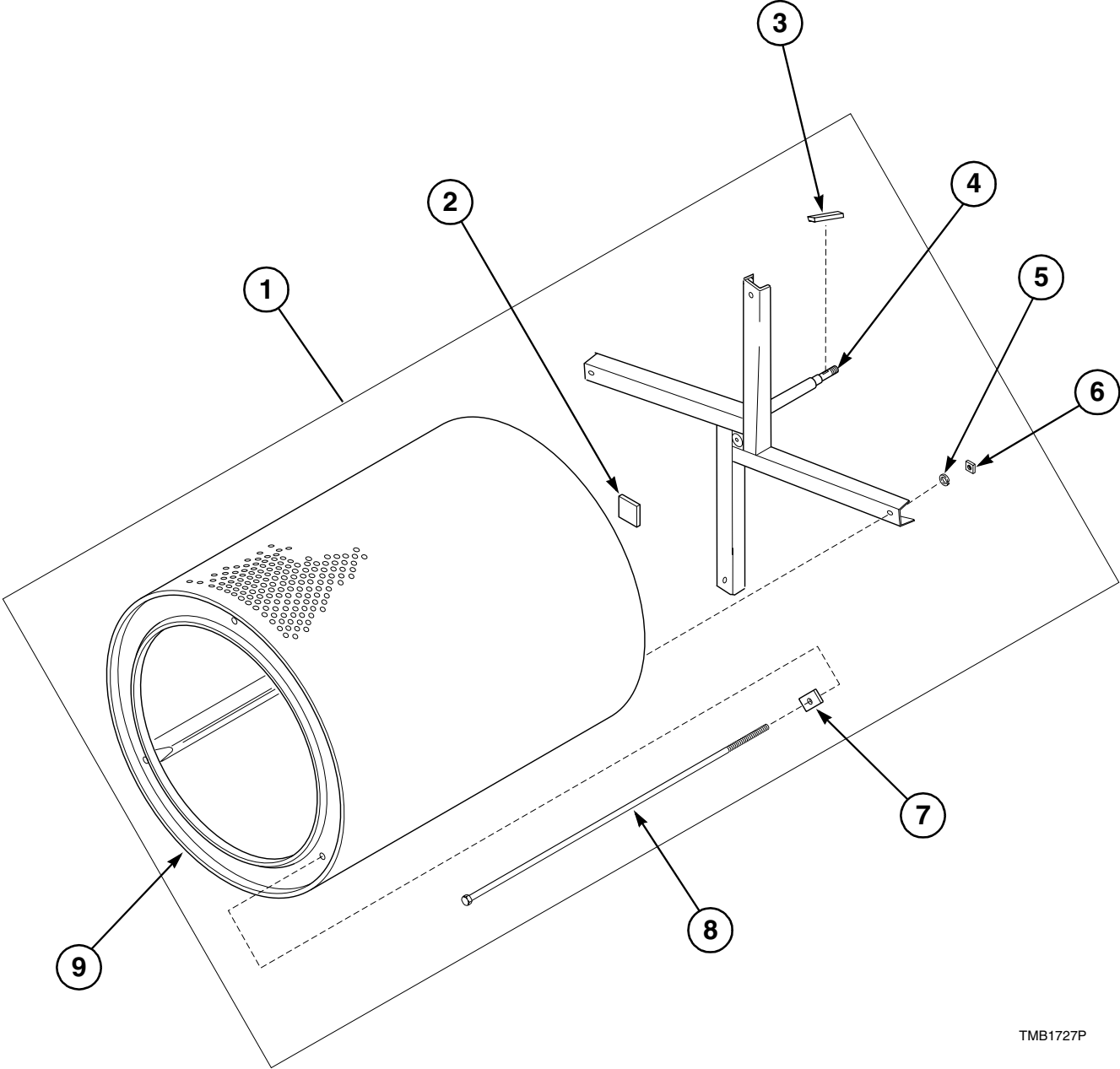
Door and Hinge Components

REF	PART #	DESCRIPTION	COMMENTS
1	70176501	Door Assembly	Models beginning with S or U; Excludes hinge
	70176502	Door Assembly	Models beginning with H; Excludes hinge
	70176503	Door Assembly	Models beginning with L or U; Excludes hinge
	70176504	Door Assembly	Models beginning with A, G or P; Excludes hinge
2	70211601	Door Ring Gasket	Notched
3	23951	Nut	6 required
4	70115901*	Door Hinge	
	70115902	Door Hinge	Stainless steel
5	61199	Screw	3 required, 2 in top cam and 1 in bottom
6	44035101	Door Hinge Cam Assembly	Upper
7	29786	Nut	2 required
8	70033504	Screw	2 required
9	M400044	Screw	6 required
10	44035001	Hinge Lug	Includes bushings
11	44023301	Screw	4 required
12	44035201	Door Hinge Cam Assembly	Lower
13	70211901	Door Glass Seal	
14	70133601	Door Glass	Models beginning with H
	M400784	Door Glass	All models not beginning with H
15	M414215	Acorn Nut	
16	430117	Door Handle	Models beginning with L
	70133501	Door Handle	Models beginning with H
	70024801	Door Handle	Models beginning with S or U
	M400133	Door Handle	Models beginning with A, G or P
17	M400661	Door Strike Screw	
18	430756	Screw	2 required; Models beginning with L
	70113001	Screw	4 required; Models beginning with S or U
	M402585	Screw	1 required; Models beginning with L
	M409385	Screw	2 required: Models beginning with A, G or P; 4 required: Models beginning with H

* Add letter to designate color:

L - Almond W - White P - Turquoise

Cylinder and Trunnion Assemblies

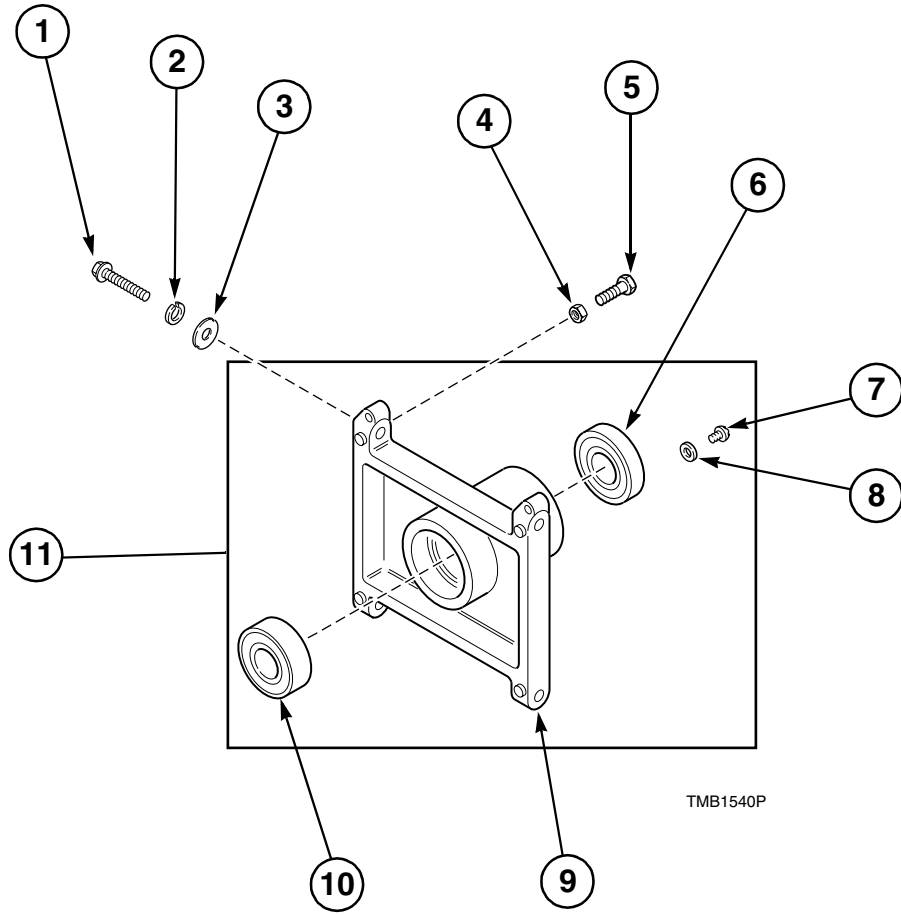


TMB1727P

Cylinder and Trunnion Assemblies

REF	PART #	DESCRIPTION	COMMENTS
	M401402	Spacer	Adjustment between cylinder and trunnion
1	M400450	Cylinder and Trunnion Assembly	Nonreversing
	M401979	Cylinder and Trunnion Assembly	Nonreversing, Stainless steel
	M404816	Cylinder and Trunnion Assembly	Reversing
	M405366	Cylinder and Trunnion Assembly	Reversing, Stainless steel
2	M402144	Felt Pad	
3	M400008	Key	Half moon; Nonreversing
	M405232	Key	Straight; Reversing
4	M413833P	Trunnion	Nonreversing
	M413834	Trunnion	Reversing
5	M400013	Lockwasher	Nonreversing
	M400015	Lockwasher	Reversing
6	M401930	Nut	Nonreversing
	M404993	Nut	Reversing
7	M401947	Washer	Nonreversing
8	M400901	Rib Rod	Nonreversing
	M401411	Rib Rod	Reversing
9	M400439	Cylinder Assembly	Nonreversing
	M400440	Cylinder Assembly	Nonreversing; Stainless steel
	M405009	Cylinder Assembly	Reversing
	M405365	Cylinder Assembly	Reversing; Stainless steel

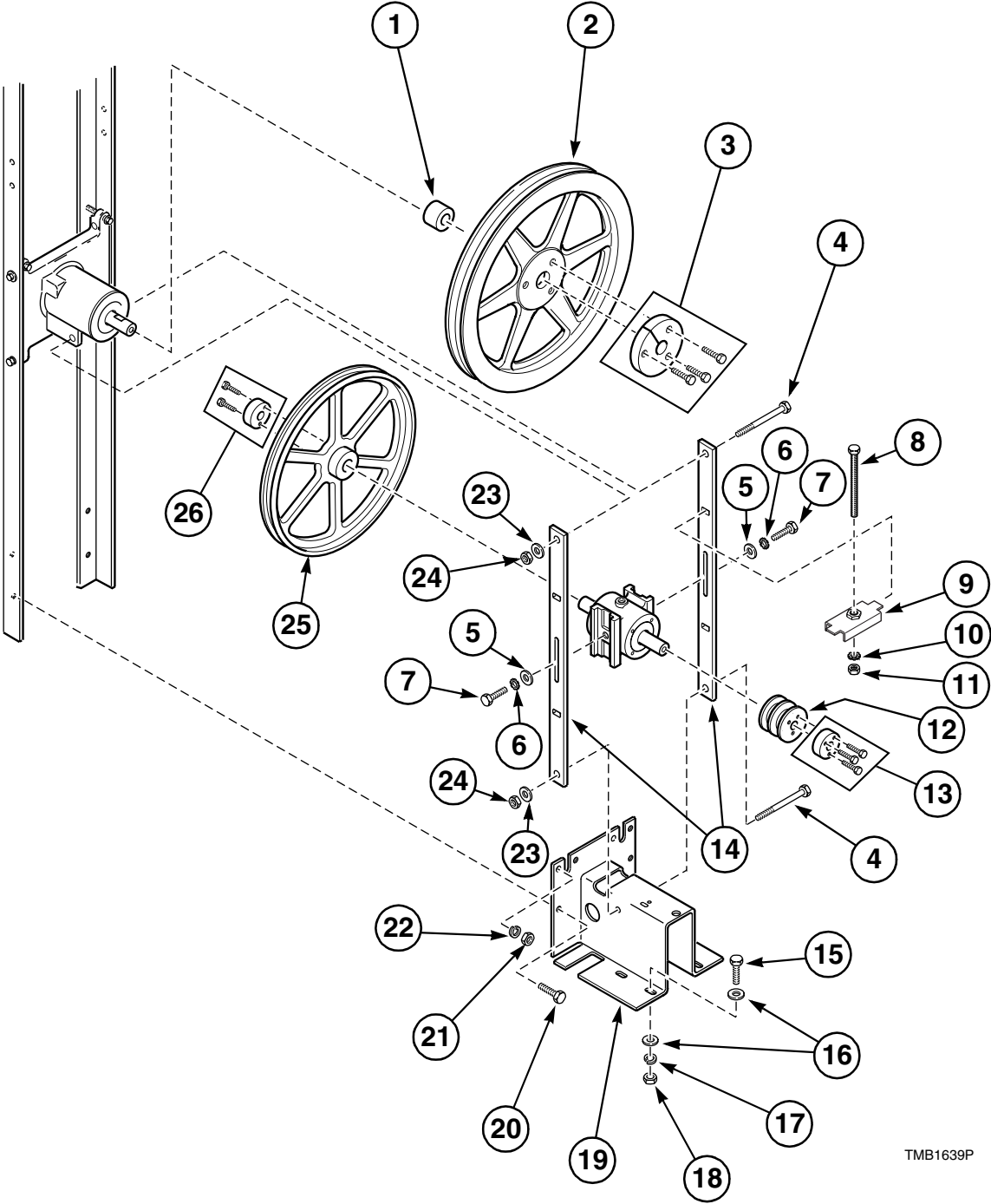
Trunnion Housing



Trunnion Housing

REF	PART #	DESCRIPTION	COMMENTS
1	M400063	Screw	4 required
2	M400015	Lockwasher	4 required
3	Q6712	Washer	4 required
4	M400026	Nut	2 required
5	M400650	Bolt	2 required
6	M413921	Ball Bearing	
7	70187201	Screw	4 required
8	20103	Washer	4 required
9	M413825	Trunnion Housing	
10	M413922	Ball Bearing	
11	M413831	Trunnion Housing Assembly	

Drive Components For Reversing Models

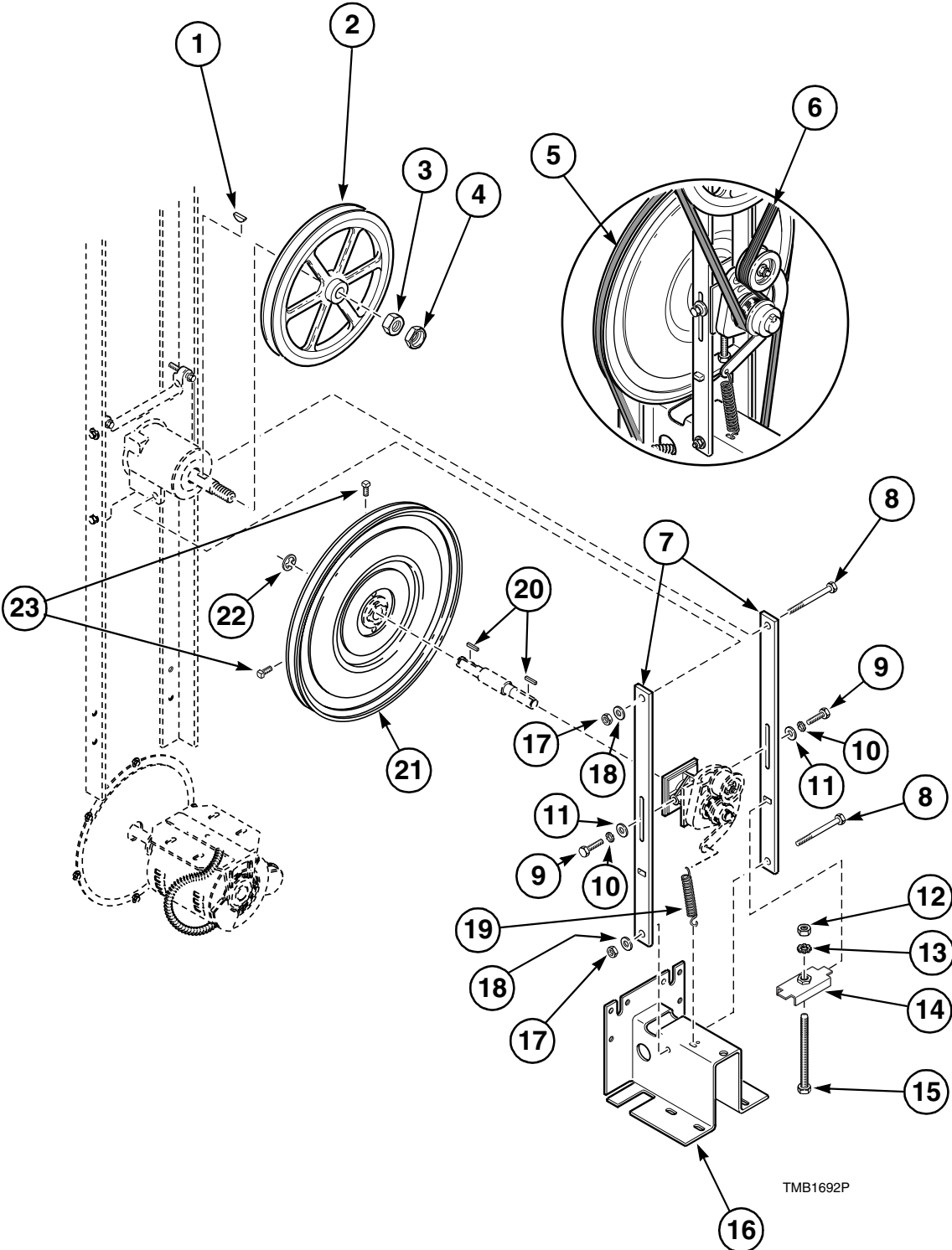


TMB1639P

Drive Components For Reversing Models

REF	PART #	DESCRIPTION	COMMENTS
	M413617	Motor Mount Assembly	
	M412981	Belt	Drive
	M412090	Belt	2 required; Cylinder
	M413627	Belt Guard Assembly	Main
	M413541	Belt Guard	Upper
	M413008	Belt Guard	Lower
1	44024001	Spacer	
2	M412916	Pulley	Double V cylinder sheave
3	M412086	Bushing	
4	M400061	Screw	
5	M400080	Washer	2 required
6	M403958	Lockwasher	2 required
7	M400043	Screw	
8	M412627	Screw	
9	M414405	Tension Plate Assembly	
10	M412188	Lockwasher	
11	H88412101	Nut	
12	M412884	Pulley	
13	M412917	Bushing	
14	M412476	Idler Housing Guide Rail	
15	M400057	Screw	
16	M400080	Washer	8 required
17	M400013	Lockwasher	4 required
18	02428	Nut	4 required
19	M411483	Motor Bracket	
20	M401393	Bolt	2 required
21	20274	Nut	
22	M400014	Lockwasher	
23	M400014	Lockwasher	2 required
24	M400026	Nut	2 required
25	M412931	Pulley	Single V
26	M412885	Bushing	

Idler Drive Components for Nonreversing Models

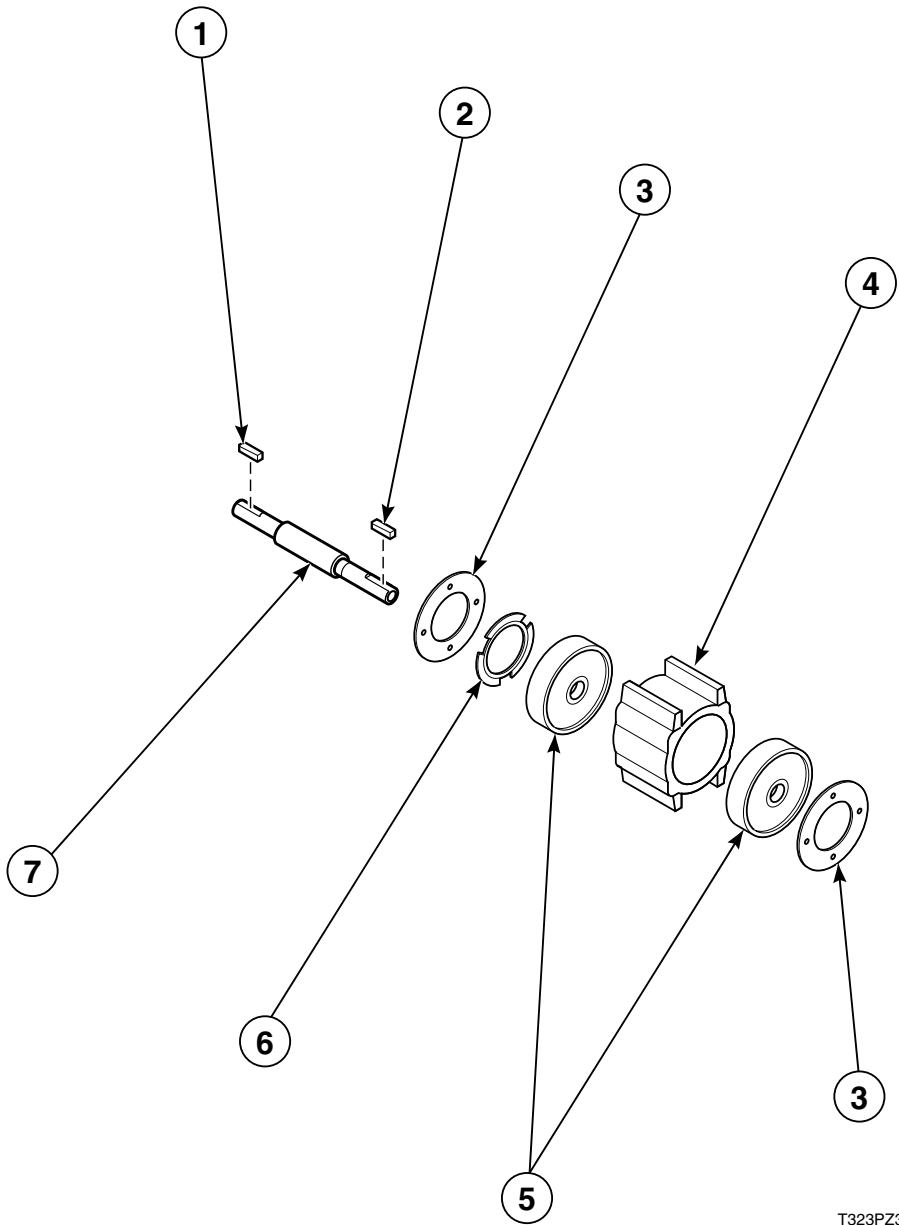


TMB1692P

Idler Drive Components for Nonreversing Models

REF	PART #	DESCRIPTION	COMMENTS
	M411467	Belt Guard Assembly	Not shown
1	M400008	Key	
2	M412156	Micro V Sheave	
3	M400033	Jam Nut	
4	M400035	Lock Nut	
5	M401182	Belt	
6	M411425	Micro V Belt	
7	M412476	Guide Rail	
8	M400061	Screw	
9	M400043	Screw	
10	M403958	Lockwasher	
11	M400080	Washer	
12	H88412101	Nut	
13	M412188	Lockwasher	
14	M414405	Tension Plate Assembly	
15	M412627	Screw	
16	M411483	Motor Bracket	
17	M400026	Nut	
18	M400014	Lockwasher	
19	M412120	Extension Spring	
20	M401327	Key	
21	M400092P	Sheave	Includes items 20 and (2) of 23
22	M400399	Ring	
23	M400065	Setscrew	

Idler Housing Assembly for Reversing Models

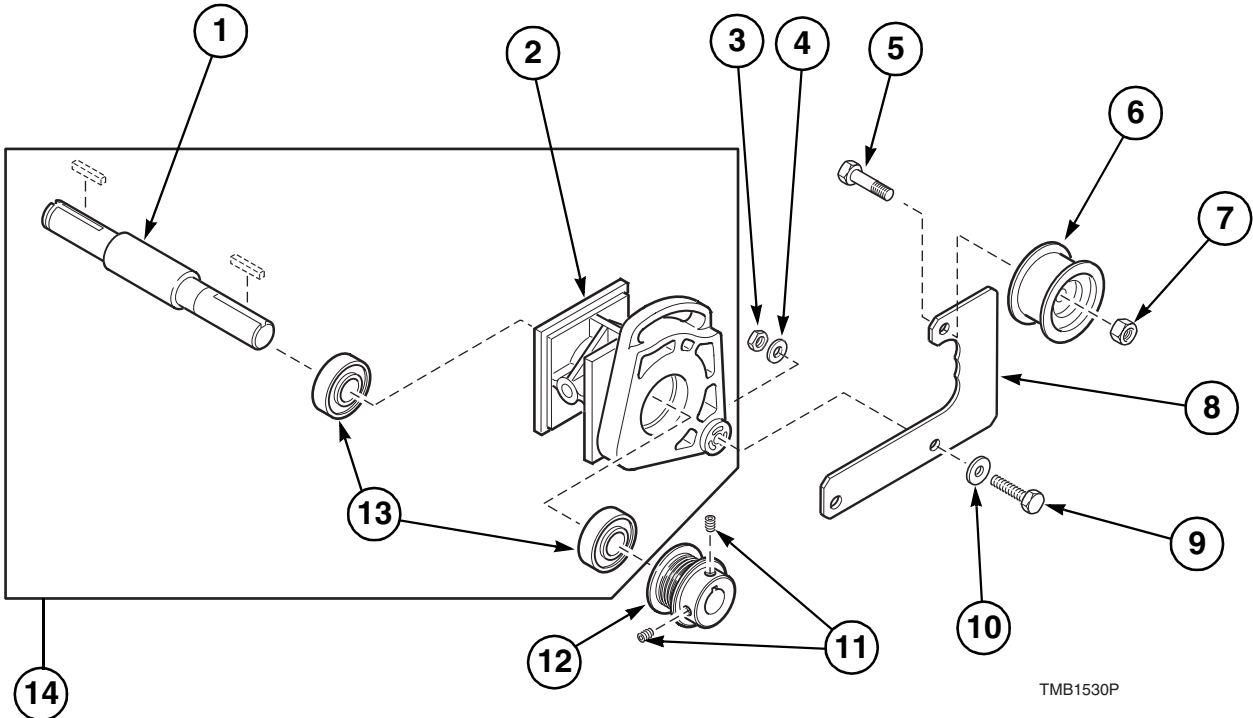


T323PZ3C

Idler Housing Assembly for Reversing Models

REF	PART #	DESCRIPTION	COMMENTS
	70187201	Screw	Not shown; 8 required; Used on bearing retainer
	M412630P	Idler Housing Kit	
1	M401327	Key	
2	M400993	Key	
3	M401370	Bearing Retainer	
4	M412612	Idler Housing	
5	M401375	Ball Bearing	
6	M400401	Loading Spring	
7	M414241	Idler Shaft	

Idler Housing Assembly For Nonreversing Models

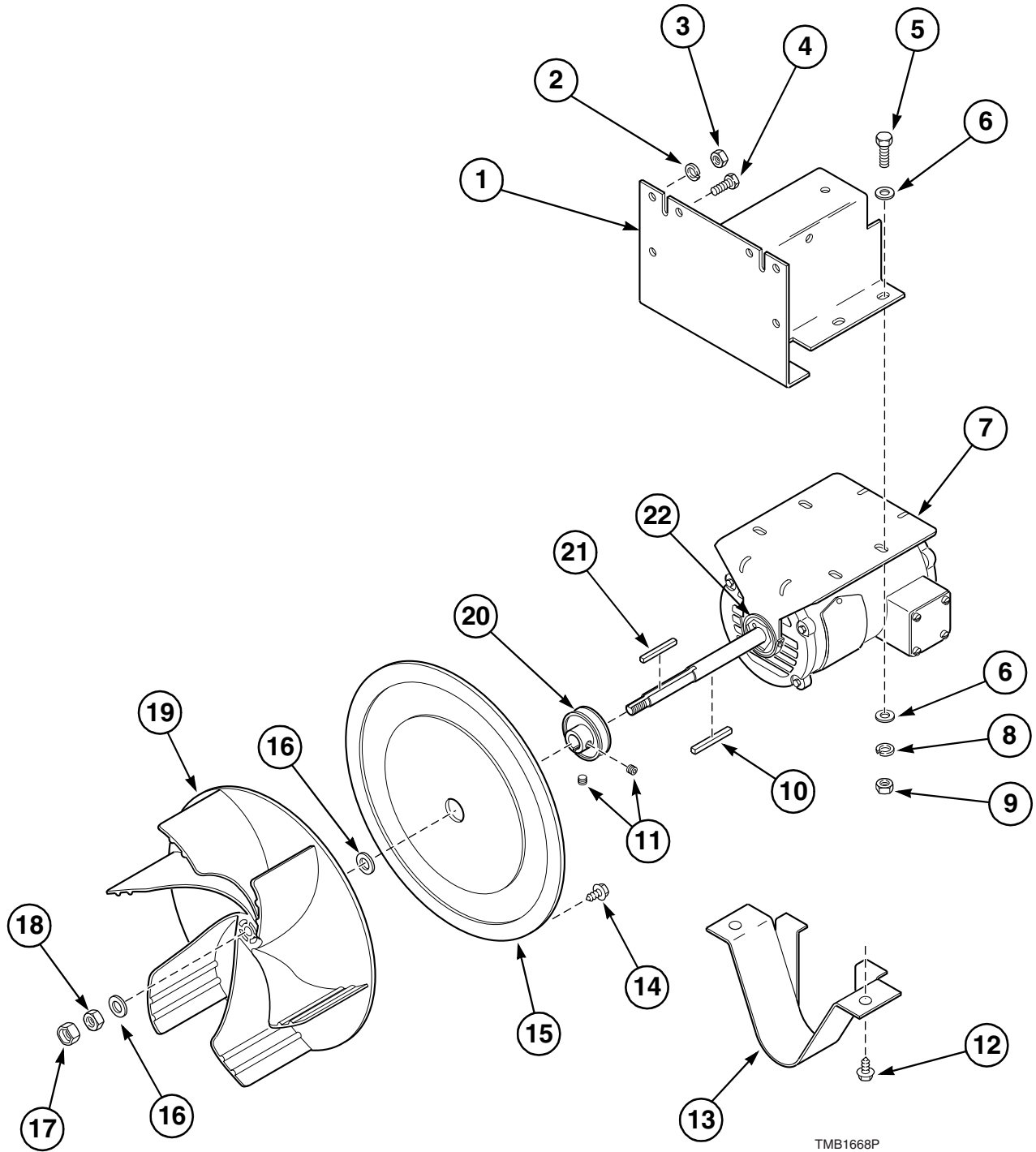


TMB1530P

Idler Housing Assembly For Nonreversing Models

REF	PART #	DESCRIPTION	COMMENTS
1	M412223	Idler Shaft	
2	M412103	Idler Housing	
3	52566	Nut	
4	M405535	Washer	
5	430648	Screw	
6	430619	Idler Wheel	
7	56156	Nut	
8	M414320	Idler Arm	
9	M412119	Bolt	
10	430782	Washer	
11	M400077	Setscrew	
12	M411466	Micro V Pulley	
13	430038	Bearing	
14	M412228	Idler Housing Assembly	

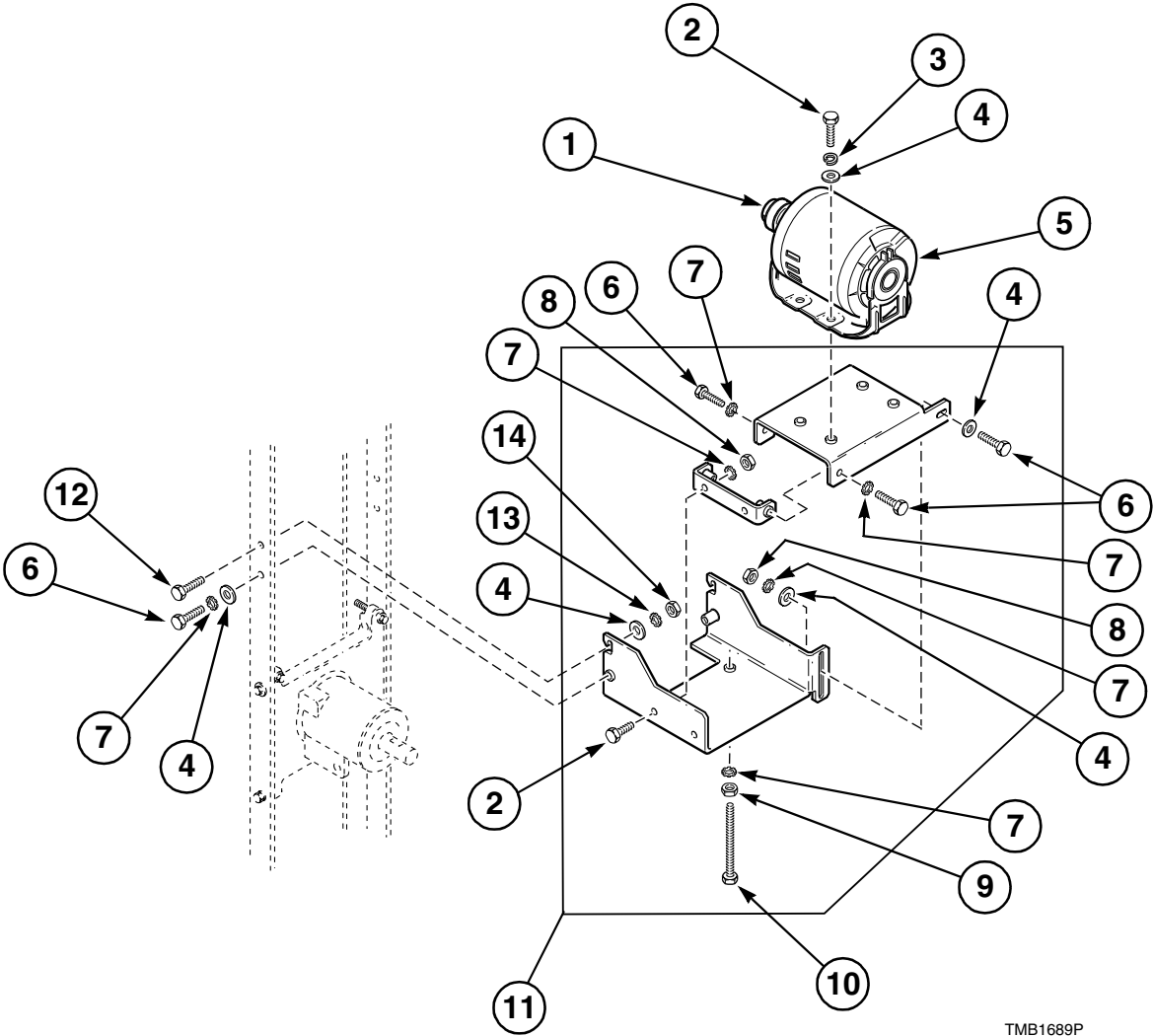
Fan and Motor Components



Fan and Motor Components

REF	PART #	DESCRIPTION	COMMENTS
	M4426P3	Motor Hardware Kit	Includes items 2, 4, 15, 21, 22
	M413281	Fan Motor Harness	EU models; 1 Phase
	M412574	Fan Motor Harness	EU models; 3 Phase
	44006101	Fan Motor Harness	Non-EU models; 2 wire; 120 Volt/60 Hertz/1 Phase and 230-240/240 Volt/50 Hertz/1 Phase
	44006201	Fan Motor Harness	Non-EU models; 3 wire; Gas and steam: 208-240 Volt/60 Hertz/1 Phase; Electric: 200-208 Volt/60 Hertz/3 Phase, 240 Volt/60 Hertz/3 Phase and 240 Volt/50 Hertz/3 Phase
	M413686	Fan Motor Harness	Non-EU models; Gas and steam: 200 Volt/50 Hertz/3 Phase, 380 Volt/50 Hertz/3 Phase Electric: 480 Volt/60 Hertz/3 Phase
1	M411483	Motor Mounting Bracket	
2	M400014	Lockwasher	
3	20274	Nut	
4	M401393	Bolt	2 required
5	M400057	Screw	
6	M400080	Washer	
7		Fan Motor	Refer to Motor Usage Table on page 132
8	M400013	Lockwasher	
9	02428	Nut	
10	M400993	Key	Included in M4426P3 Motor Hardware Kit
11	M413008	Belt Guard	
12	M400077	Screw	Supplied with pulley
13	430497	Screw	
14	M410059	Screw	7 required
15	M401362	Fan Housing Cover	
16	M400991	Washer	Included in M4416P3 Motor Hardware Kit
17	M400034	Nut	Included in M4426P3 Motor Hardware Kit
18	M400022	Nut	Included in M4426P3 Motor Hardware Kit
19	M410088P	Fan	50 Hertz; Includes key
	M400086P	Fan	60 Hertz; Includes key
20	M414564	Motor Pulley	60 Hertz; Nonreversing
	M414566	Motor Pulley	50 Hertz; Nonreversing
21	M400994	Key	Included in M4426P3 Motor Hardware Kit
22	M4525P3	Motor Mounting Ring Kit	2 per package

Reversing Cylinder Drive Motor and Components



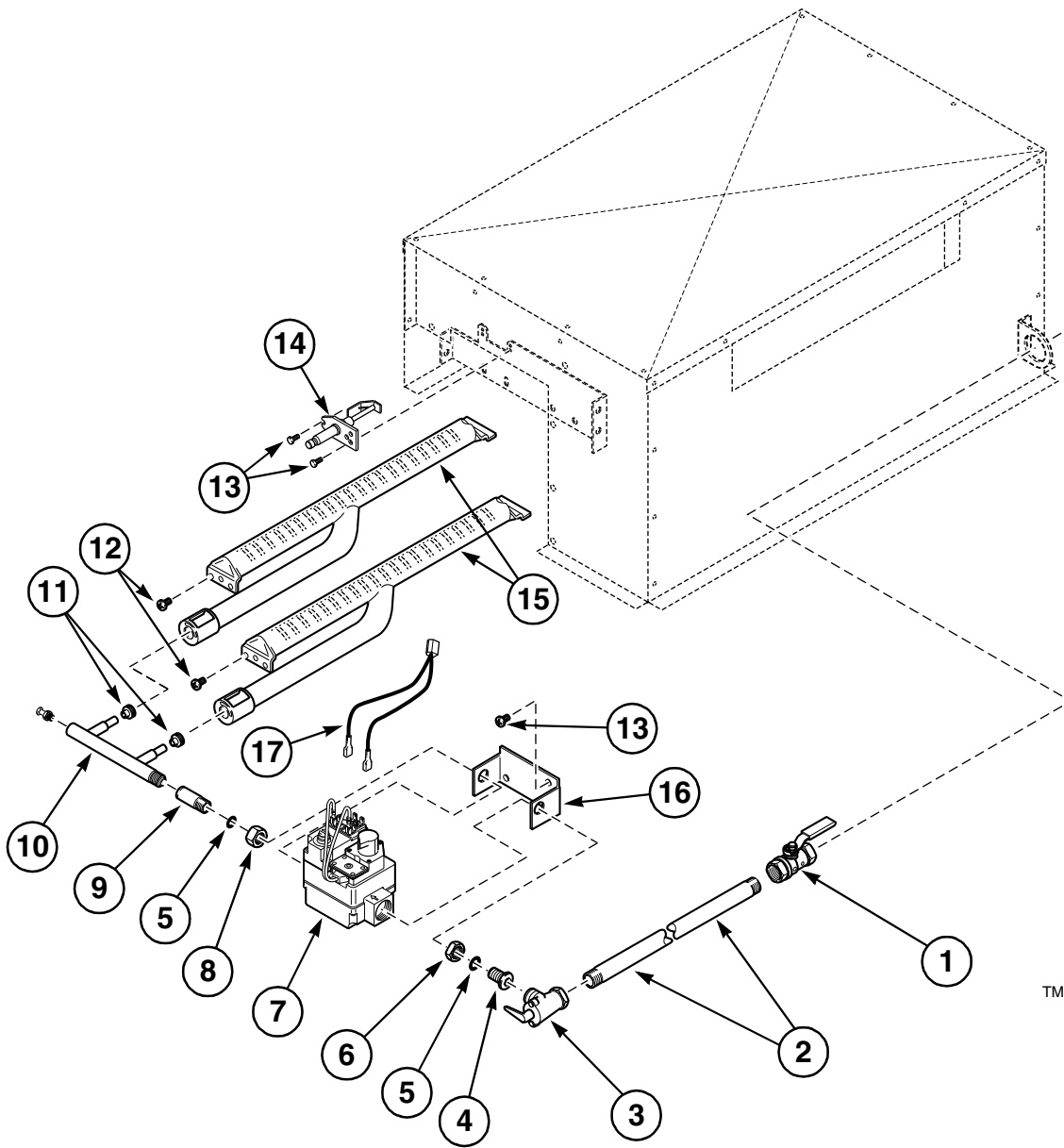
TMB1689P

Reversing Cylinder Drive Motor and Components

REF	PART #	DESCRIPTION	COMMENTS
	M412745	Cylinder Motor Harness	EU models; 1 Phase
	M412573	Cylinder Motor Harness Assembly	EU models; 3 Phase
	M413687	Cylinder Motor Harness Assembly	Non-EU models; 1 Phase
	M413688	Cylinder Motor Harness Assembly	Non-EU models; 3 Phase
1	M414565	Pulley	60 Hertz
	M414567	Pulley	50 Hertz
2	M400057	Screw	6 required
3	M400013	Lockwasher	4 required
4	M400080	Washer	8 required
5		Cylinder Drive Motor	Refer to Motor Usage Table on page 132
6	M400056	Screw	5 required
7	02834	Lockwasher	8 required
8	70142	Nut	3 required
9	02428	Jam Nut	
10	M413565	Screw	
11	M413617	Motor Mount Assembly	Includes Items 2, 4, 6, 7, 8, 9, 10, 13 and 14
12	22688	Screw	2 required
13	M403958	Lockwasher	2 required
14	20274	Nut	2 required

Gas Heater Components

Front View



TMB1244P

Gas Heater Components

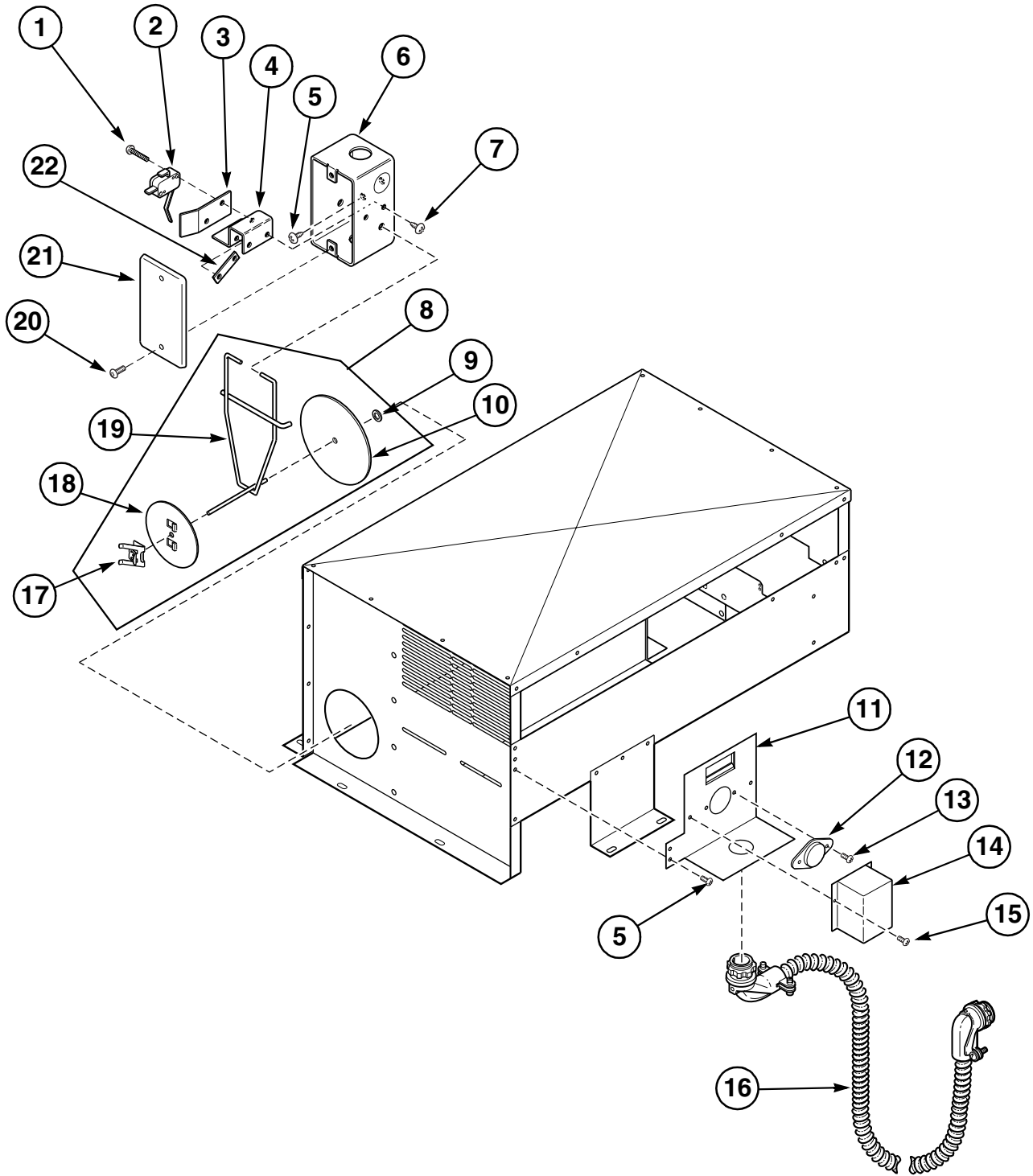
Front View

REF	PART #	DESCRIPTION	COMMENTS
	44042901	Gas Valve Coil	60 Hertz; 24 Volt; Non-EU models, Non-Australian models
	M4542P3	L.P. Gas Conversion Kit	
1	M412562	Ball Valve	EU models
2	M400749	Nipple	
3	M406455	Shutoff Valve	Non-EU models
	M413443	Gas Piping Elbow	EU models
4	M401550	Tailpiece	½ Male NPT
	M413348	Tailpiece	EU models
5	M400605	Anti-Torque Ring	Included with Item 3
6	M401549	Nut	Included with Item 3
7	M410907	Gas Valve	Natural Gas; Australia models
	M410908	Gas Valve	L.P. Gas; Australia models
	M413332	Gas Valve	Natural Gas; EU models
	M413333P	Gas Valve	L.P. Gas; EU models
	M413463	Gas Valve	L.P. Gas; Non-EU models; 50 Hertz
	M413464	Gas Valve	L.P. Gas; 60 Hertz
	M413467	Gas Valve	Natural Gas; Non-EU models; 50 Hertz
	M413468P	Gas Valve	Natural Gas; 60 Hertz
8	M401548	Nut	
9	M406681	Manifold Pipe	
	M413395	Manifold Pipe	EU models
10	M410546	Spud Holder	
11	M406184	*Burner Orifice, #43, 2.3 mm	L.P. Gas; 0-2000 feet; Non-EU models; 2 required
	M401011	*Burner Orifice, #44, 2.2 mm	L.P. Gas; 2001-4000 feet; Non-EU models; 2 required
	M401027	*Burner Orifice, #45, 2.1 mm	L.P. Gas; 4001-6000 feet; Non-EU models; 2 required
	M400999	*Burner Orifice, #47, 2.0 mm	L.P. Gas; 6001-8000 feet; Non-EU models; 2 required
	M401001	*Burner Orifice, #48, 1.9 mm	L.P. Gas; 8001-10000 feet; Non-EU models; 2 required
	M401000	*Burner Orifice, #26, 3.7 mm	Natural Gas; 0-2000 feet; Non-EU models; 2 required
	M401014	*Burner Orifice, #28, 3.6 mm	Natural Gas; 2001-4000 feet; Non-EU models; 2 required
	M400997	*Burner Orifice, #29, 3.4 mm	Natural Gas; 4001-6000 feet; Non-EU models; 2 required
	M401021	*Burner Orifice, #30, 3.3 mm	Natural Gas; 6001-8000 feet; Non-EU models; 2 required
	M401021	*Burner Orifice, #30, 3.3 mm	Natural Gas; 8001-10000 feet; Non-EU models; 2 required
12	70240301	Screw	4 required
13	430497	Screw	2 required
14	M406934P	Spark Igniter	NOT Australian models
	M410905	Spark Igniter	Australian models
15	M410541	Burner	2 required
16	M406814	Gas Valve Bracket	
17	M412997	Gas Valve Harness	Non-EU models; Non-Australian models
	M413650	Gas Valve Harness	EU and Australian models

***For EU gas and orifice information, refer to Install Manual, M414905**

Gas Heater Components

(Rear View)



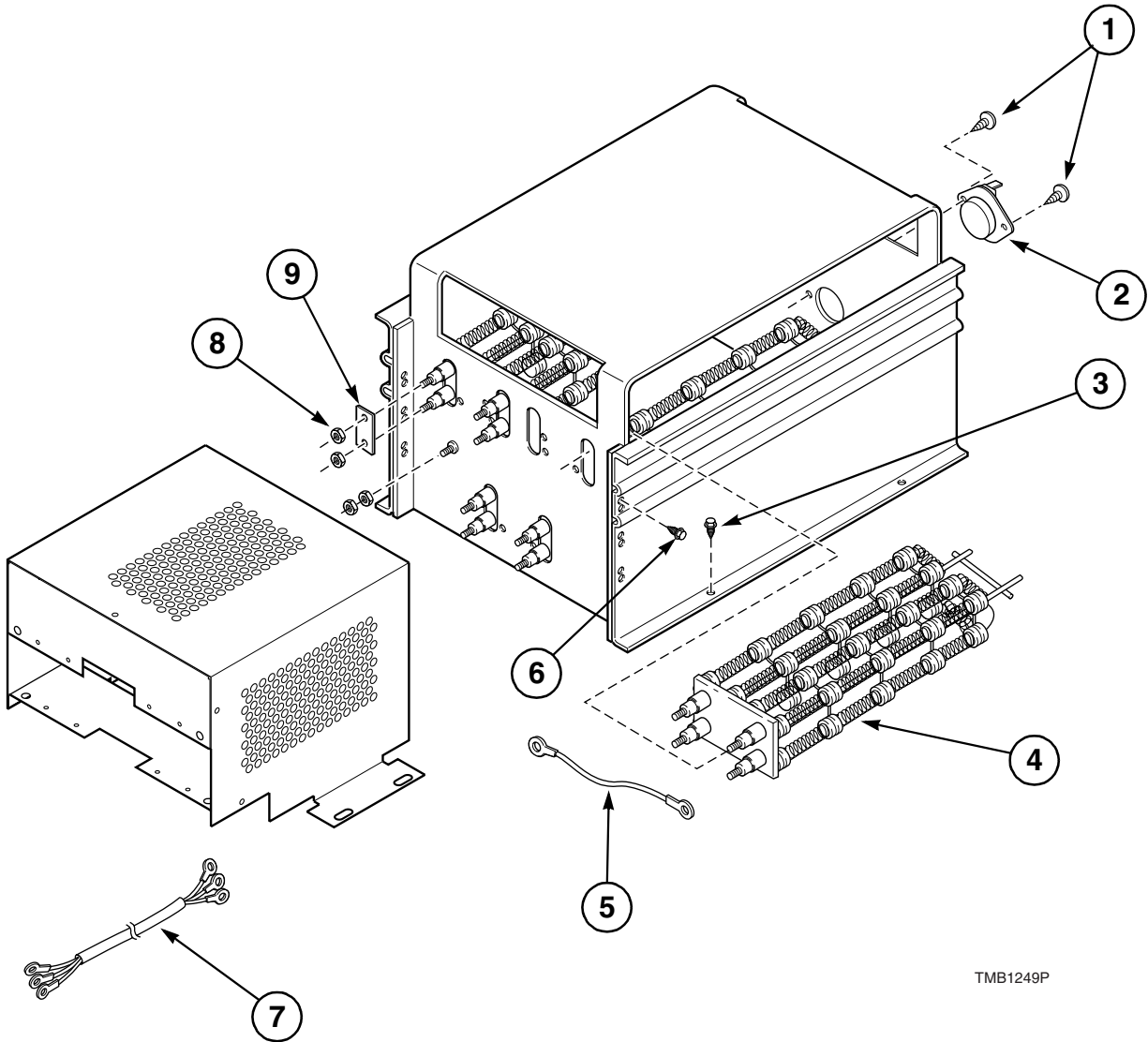
TMB1366P

Gas Heater Components

(Rear View)

REF	PART #	DESCRIPTION	COMMENTS
	M413690	Harness	Airflow switch; Non-EU models
	M412635	Harness	Airflow switch; EU models
1	M401938	Screw	
2	M400944	Airflow Switch	Non-EU models
	M412423	Airflow Switch	EU models
3	M400712	Barrier	
4	M409202	Mounting Bracket	
5	430497	Screw	2 required
6	M403235	Switch Box	
7	M400664	Screw	
8	M400541	Vane Assembly	
9	M400977	Nut	
10	M400253	Vane	
11	M402798	Thermostat Bracket	
12	M409433	Thermostat	Non-Australian models
	M411938	Thermostat	Australian models
13	M402797	Screw	2 required
14	M414477	Thermostat Cover	
15	M400664	Screw	2 required
16	M412609	Harness	Airflow switch to stove limit
17	M400976	Clip	
18	M400822	Counterweight	
19	M400753	Switch Vane Lever	
20	M400072	Screw	2 required
21	M400931	Switch Box Cover	
22	M400979	Twin Speed Nut	

Non-EU Electric Heater Components

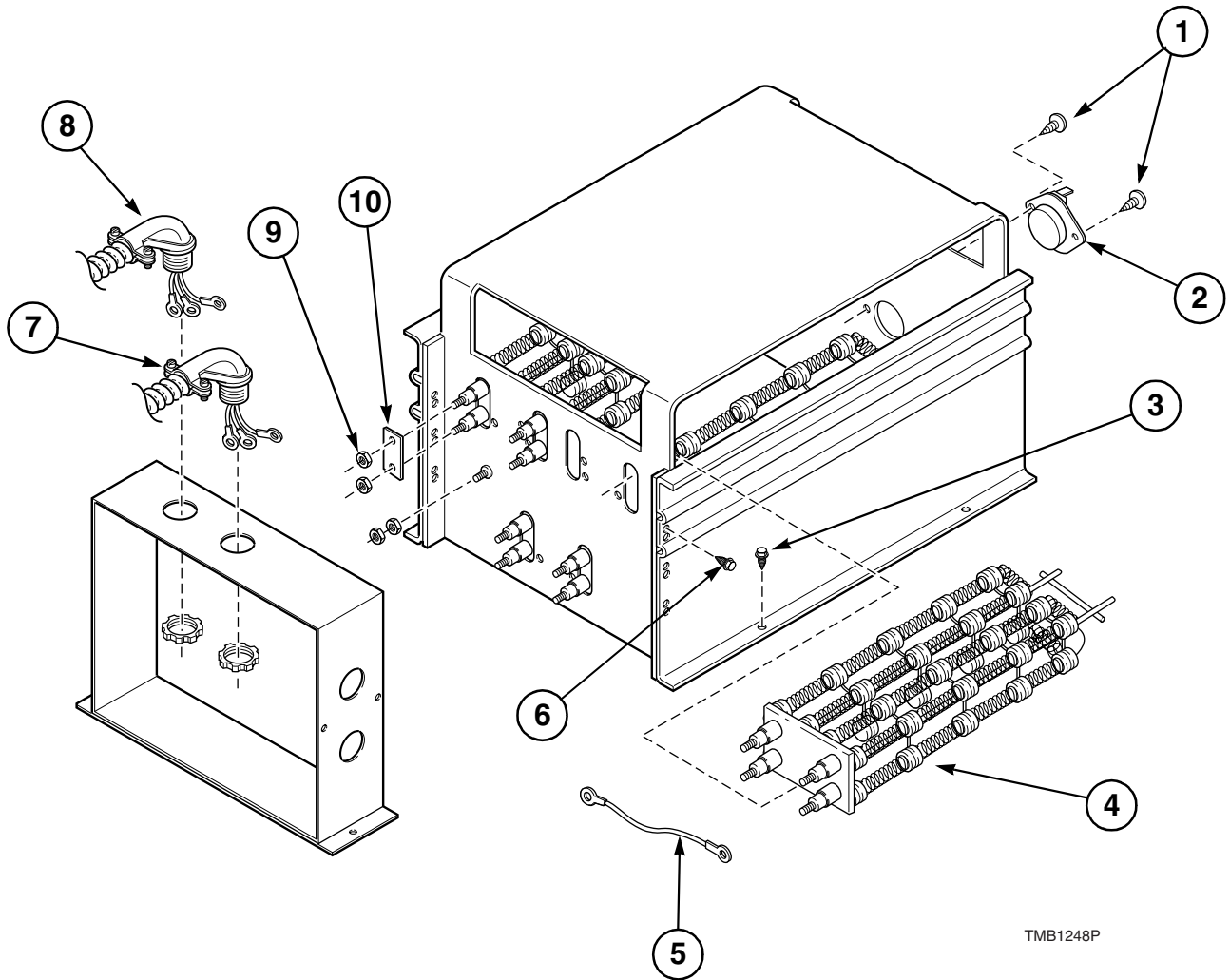


TMB1249P

Non-EU Electric Heater Components

REF	PART #	DESCRIPTION	COMMENTS
1	33562	Screw	
2	M410220	High Limit Thermostat	30 kW; All 3 Phase
	M409433	High Limit Thermostat	21 kW; 240 Volt/50 Hertz/1 Phase
3	430497	Screw	
4	M410939P	Heater Element	10 kW, 240 Volt; 3 required: 240 Volt/60 Hertz/3 Phase, 400-415 Volt/50 Hertz/3 Phase, 480 Volt/60 Hertz/3 Phase
	M410940P	Heater Element	10 kW, 208 Volt; 3 required: 200 Volt/50 Hertz/3 Phase, 200-208 Volt/60 Hertz/3 Phase
	M410941P	Heater Element	10 kW, 220 Volt; 3 required: 380 Volt/50 Hertz/3 Phase
	M412955	Heater Element	7 kW, 240 Volt; 3 required: 240 Volt/50 Hertz/1 Phase, 21 kW
5	M412287	Jumper Wire	1 required: 380 Volt/50 Hertz/3 Phase, 400-415 Volt/50 Hertz/3 Phase; 2 required: 480 Volt/60 Hertz/3 Phase
6	70240301	Screw	
7	M413959	Heater Cable	H1-H3; 200 Volt/50 Hertz/3 Phase, 200-208 Volt/60 Hertz/3 Phase, 240 Volt/60 Hertz/3 Phase, 380 Volt/50 Hertz/3 Phase, 400-415 Volt/50 Hertz/3 Phase, 480 Volt/60 Hertz/3 Phase, 21 kW 240 Volt/50 Hertz/1 Phase
	M413960	Heater Cable	H4-H6; 200 Volt/50 Hertz/3 Phase, 200-208 Volt/60 Hertz/3 Phase, 240 Volt/60 Hertz/3 Phase, 21kW 240 Volt/50 Hertz/1 Phase
8	70054	Nut	
9	M400866	Jumper Bar	380 Volt/50 Hertz/3 Phase, 400-415 Volt/50 Hertz/3 Phase, 480 Volt/60 Hertz/3 Phase
	M400869	Jumper Strip	3 required: 480 Volt/60 Hertz/3 Phase; 6 required: all others

EU Electric Heater Components



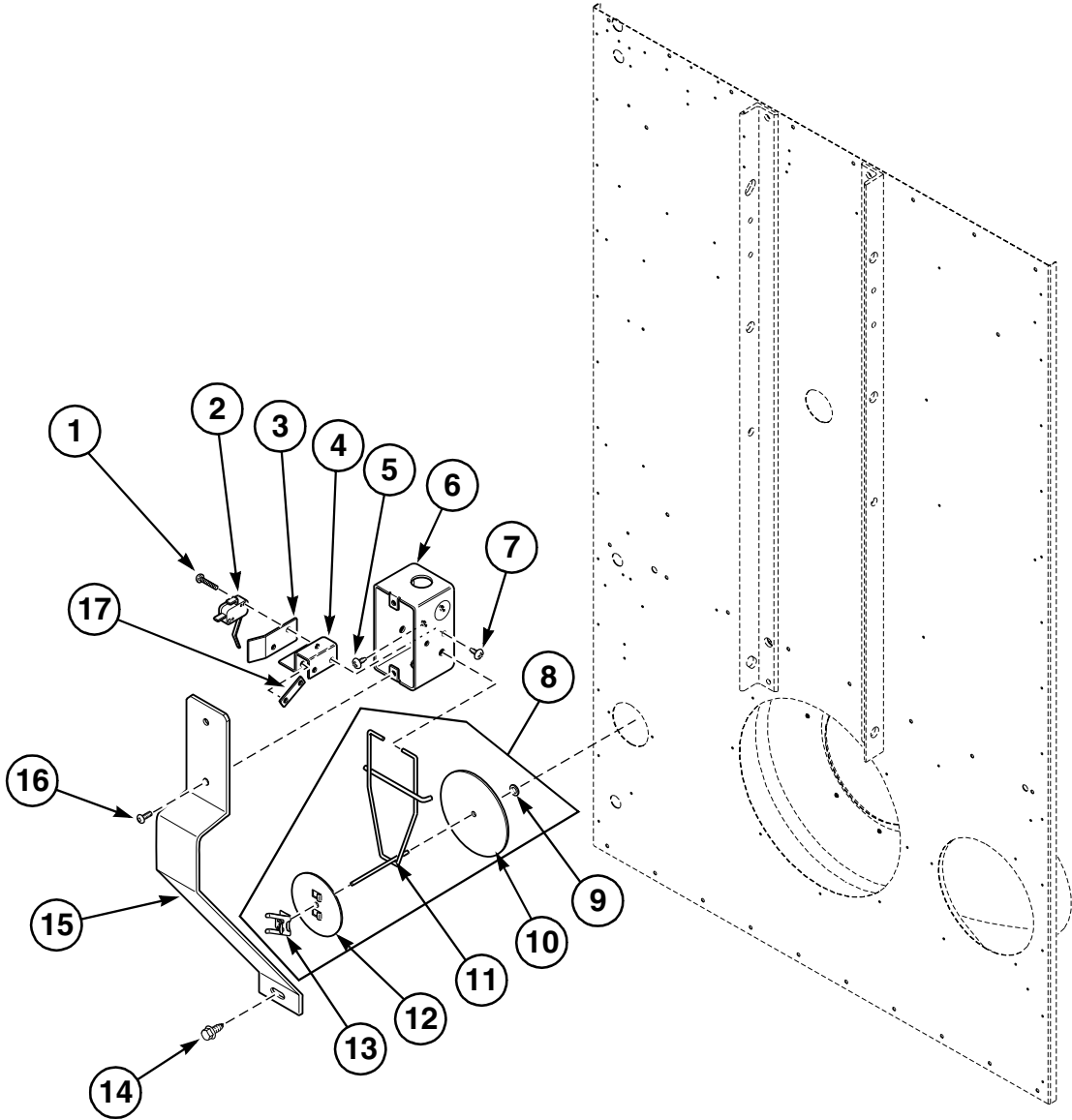
TMB1248P

EU Electric Heater Components

REF	PART #	DESCRIPTION	COMMENTS
1	33562	Screw	
2	M410220	High Limit Thermostat	
3	430497	Screw	
4	M410939P	Heater Element	10 kW, 240 Volt; 3 required: 230 Volt/50 Hertz/3 Phase, 415 Volt/50 Hertz/3 Phase
	M410941P	Heater Element	10 kW, 220 Volt; 3 required: 380 Volt/50 Hertz/3 Phase
5	M412287	Jumper Wire	380 Volt/50 Hertz/3 Phase, 415 Volt/50 Hertz/3 Phase
6	70240301	Screw	
7	M412802	Heater Cable Harness	240 Volt; 230 Volt/50 Hertz/3 Phase; Includes locknut
8	M412801	Heater Cable Harness	230 Volt/50 Hertz/3 Phase, 380 Volt/50 Hertz/3 Phase, 415 Volt/50 Hertz/3 Phase; Includes locknut
9	70054	Nut	12 required
10	M400869	Jumper Strip	6 required
	M400866	Jumper Bar	380 Volt/50 Hertz/3 Phase, 415 Volt/50 Hertz/3 Phase

Airflow Switch Assembly

(Electric Heat Models)



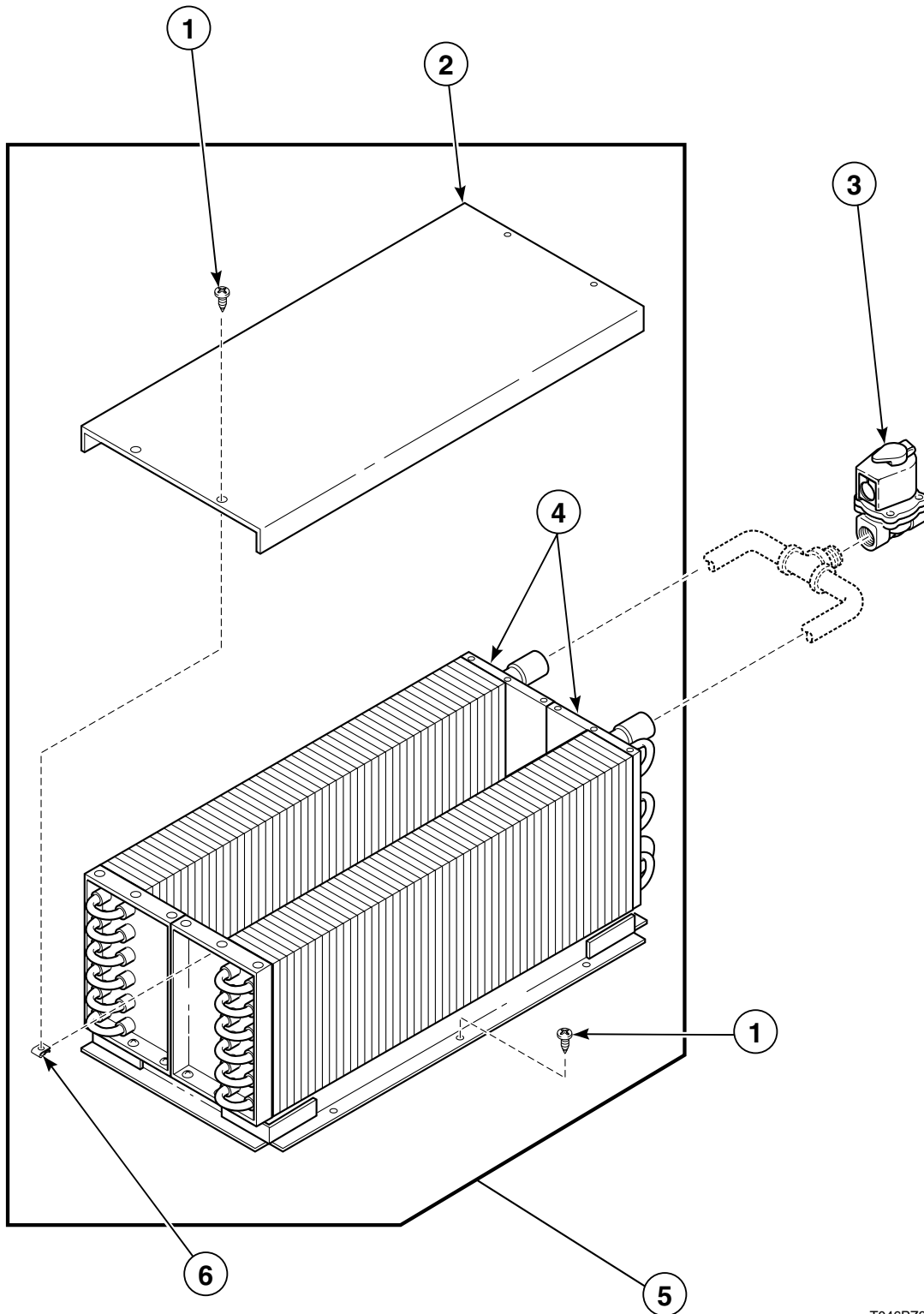
TMB1541P

Airflow Switch Assembly

(Electric Heat Models)

REF	PART #	DESCRIPTION	COMMENTS
1	M401938	Screw	
2	M400944	Airflow Switch	Non-EU models
	M412423	Airflow Switch	EU models
3	M400712	Barrier	
4	M409202	Bracket	
5	430497	Screw	2 required
6	M403235	Airflow Switch Box	
7	M400664	Screw	
8	M400541	Vane Assembly	
9	M400977	Nut	
10	M400253	Vane	
11	M400753	Vane Lever	
12	M400822	Counterweight	
13	M400976	Clip	
14	51780	Screw	
15	M410544	Guard	
16	M400072	Screw	
17	M400979	Twin Speed Nut	

Steam Heater and Valve

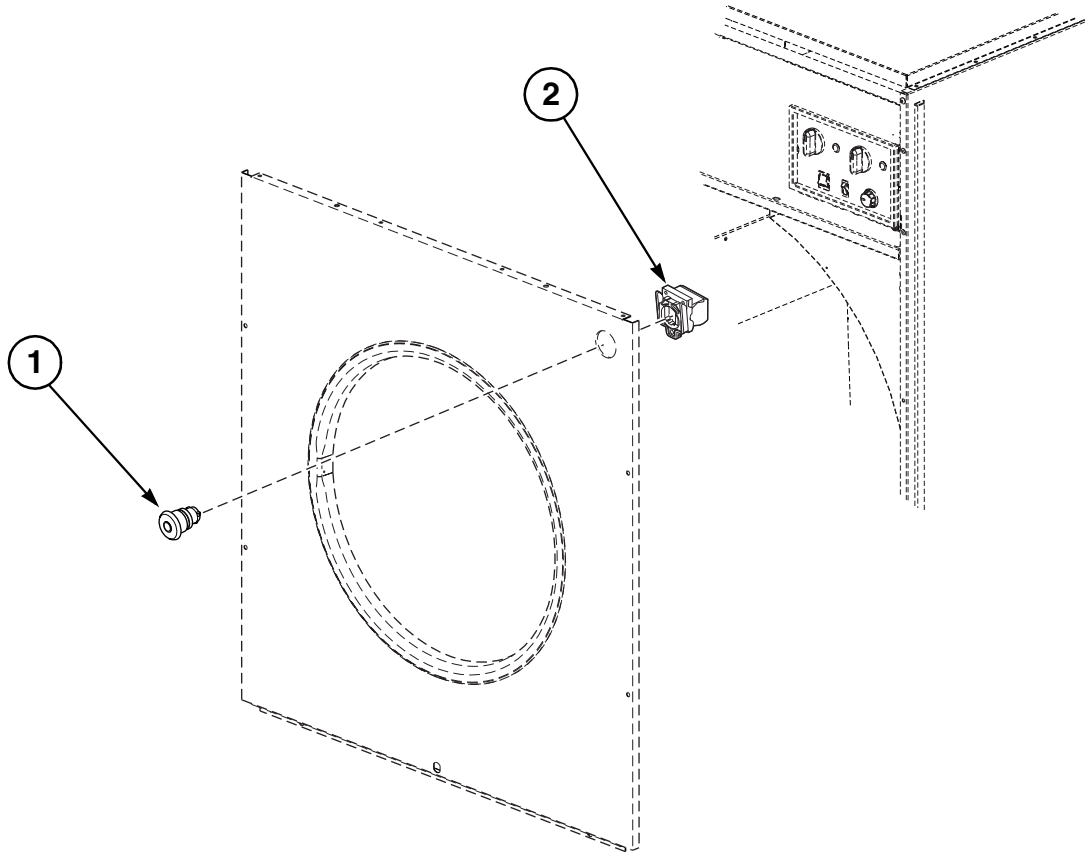


T046PZ3B

Steam Heater and Valve

REF	PART #	DESCRIPTION	COMMENTS
	M412258	Steam Valve Coil	
	M412259	Repair Kit	
	M413451	Steam Valve Coil	
1	430497	Screw	
2	M400828	Cover	
3	M412241	Steam Valve	EU models
	M413445	Steam Valve	Non-EU models; 50 Hertz
	M413446	Steam Valve	Non-EU models; 60 Hertz
4	M400637	Steam Coil	
5	44020401	Steam Heater Assembly	
6	M400974	Clip	

EU Emergency Stop Button



TMB1691P

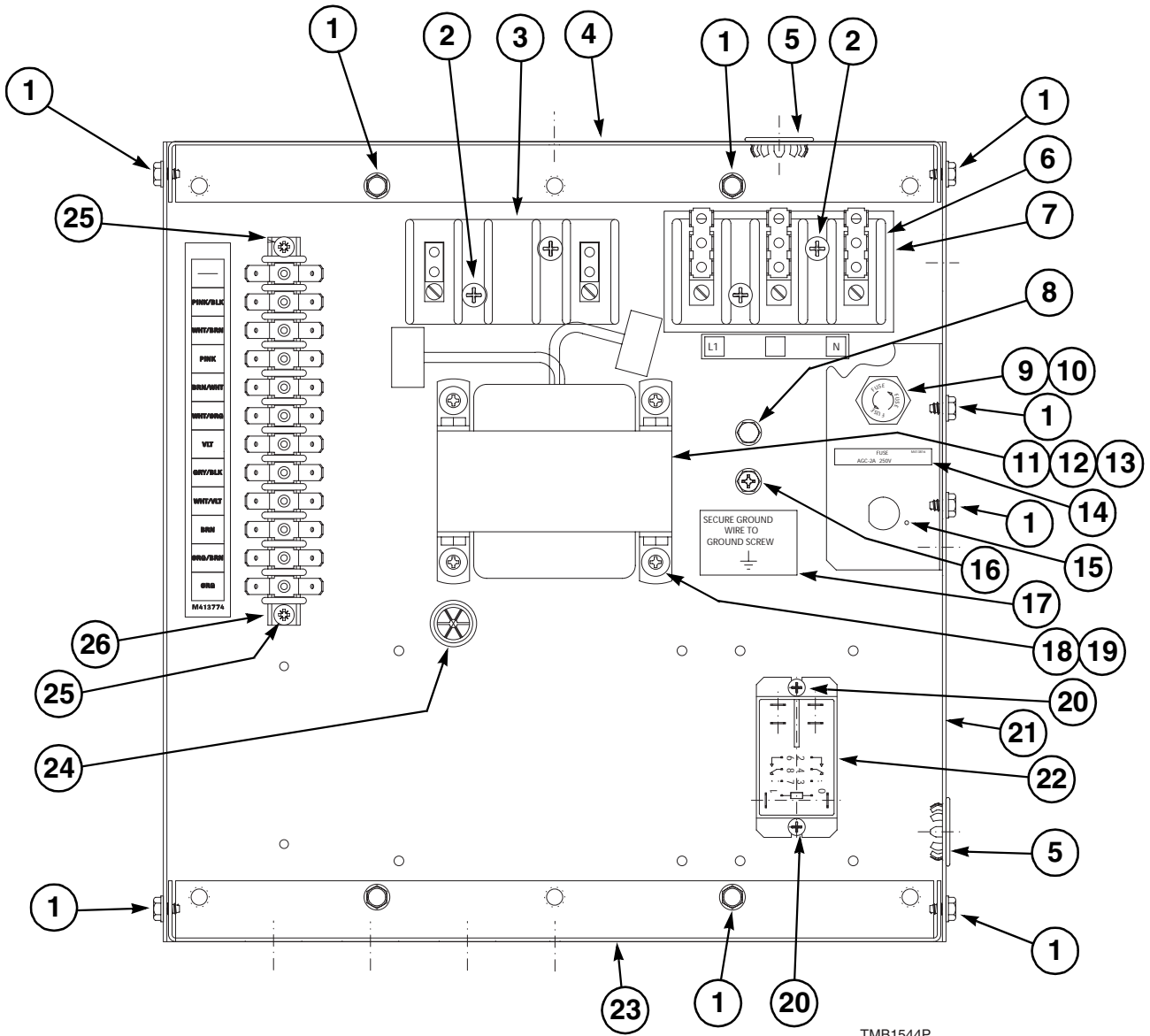
EU Emergency Stop Button

REF	PART #	DESCRIPTION	COMMENTS
1	44018801	Emergency Stop Button	
2	44018701	Contactora Block	

Contactor Box Assembly

Gas and Steam Models

120 Volt/ 60 Hertz/ 1 Phase - CD, MT, NMC*, OM
 230-240 Volt/ 50 Hertz/ 1 Phase - CD, MT, NMC*, OM



TMB1544P

* NMC = NC, NR, NX, NY, ZC, ZR, ZX and ZY

Contactor Box Assembly

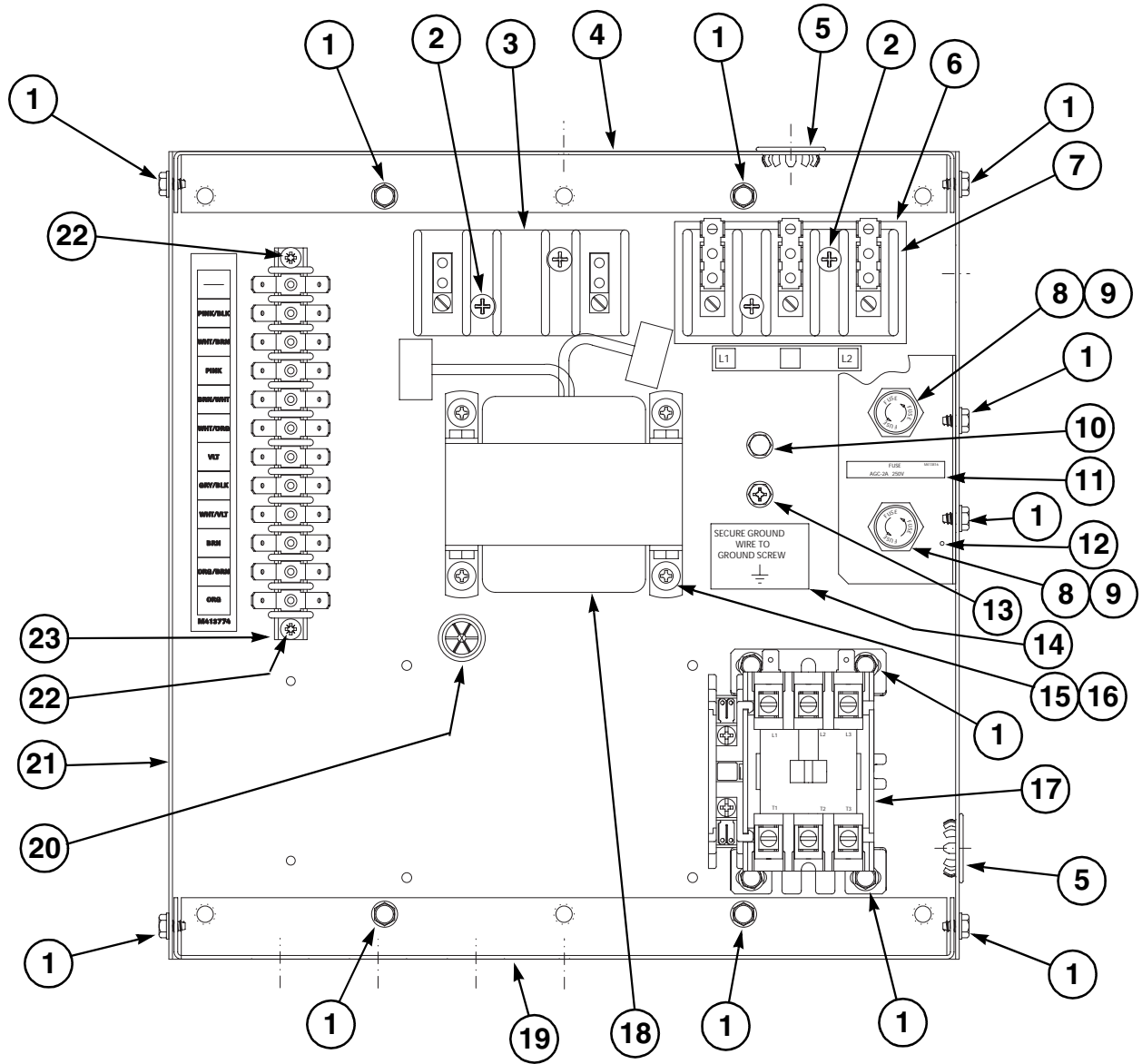
Gas and Steam Models
 120 Volt/60 Hertz/ 1 Phase - CD, MT, NMC*, OM
 230-240 Volt/ 50 Hertz/ 1 Phase - CD, MT, NMC*, OM

REF	PART #	DESCRIPTION	COMMENTS
	M413507	Jumper Configuration Assembly	240 Volt; Used only on 230-240 Volt/50 Hertz/1 Phase CD, MT, NMC and OM models
	44005801	Harness Assembly	Contactor box; 1 Phase 2 Wire
	M413878	Harness Capacitor Network Assembly	OM models
	M413863	Network Capacitor Assembly	OM models
1	51780	Tap Screw	14 required
2	M405824	Screw	4 required
3	M405364	Terminal Block	2 pole
4	M413757	Contactor Box End	Top
5	M400985	Snap In Plug Button	7/8 inch; 2 required
6	430642	Terminal Block	3 pole
7	M413862	Insulator	
8	430497	Tap Screw	OM models
9	91024	Fuse Holder	250 Volt
10	M413118	Fuse	250 Volt; 2 Amp
11	M414230	Transformer	120 Volt; Single secondary; Used only on 120 Volt/60 Hertz/1 Phase CD and MT models
12	M414312	Transformer	Dual secondary; Used only on 120 Volt/60 Hertz/1 Phase NMC and OM models
13	M414228	Multitap Transformer	100-240 Volt; Used only on 230-240 Volt/50 Hertz/ 1 Phase CD, MT, NMC and OM models
14	M413816	Fuse Sticker	2 Amp
15	M413575	Fuse Bracket	
16	M402917	Ground Screw	
17	M403047	Ground Marker	Electrical
18	M400044	Screw	4 required
19	23951	Keps Nut	4 required
20	51778	Screw	2 required
21	44028401	Contactor Box Wrapper	
22	502501	Power Relay	24 Volt
23	M413758	Contactor Box End	Bottom
24	M411537	Snap Bushing	5/8 inch
25	51778	Tap Screw	2 required
26	M413542	Terminal Strip	12 circuit

* NMC = NC, NR, NX, NY, ZC, ZR, ZX and ZY

Contactor Box Assembly

Gas and Steam Models
200-208/ 240 Volt/ 60 Hertz/ 1 Phase - CD, MT, NMC*, OM



TMB1546P

* NMC = NC, NR, NX, NY, ZC, ZR, ZX and ZY

Contactor Box Assembly

Gas and Steam Models
200-208/ 240 Volt/ 60 Hertz/ 1 Phase - CD, MT, NMC*, OM

REF	PART #	DESCRIPTION	COMMENTS
	M413507	Jumper Configuration Assembly	240 Volt
	44005901	Harness Assembly	Contactor box; 1 Phase 3 wire
	M413878	Harness Capacitor Network Assembly	OM models
	M413863	Network Capacitor Assembly	OM models
1	51780	Tap Screw	18 required
2	M405824	Screw	4 required
3	M405364	Terminal Block	2 pole
4	M413757	Contactor Box End	Top
5	M400985	Snap In Plug Button	7/8 inch; 2 required
6	M413862	Insulator	
7	430642	Terminal Block	3 pole
8	91024	Fuse Holder	250 Volt; 2 required
9	M413118	Fuse	250 Volt; 2 Amp; 2 required
10	430497	Tap Screw	OM models
11	M413816	Fuse Sticker	2 Amp
12	M413575	Fuse Bracket	
13	M402917	Ground Screw	
14	M403047	Ground Marker	Electrical
15	M400044	Screw	4 required
16	23951	Keps Nut	4 required
17	M413614	Fan Contactor	
18	M414228	Multitap Transformer	100-240 Volt
19	M413758	Contactor Box End	Bottom
20	M411537	Snap Bushing	5/8 inch
21	44028401	Contactor Box Wrapper	
22	51778	Tap Screw	2 required
23	M413542	Terminal Strip	12 circuit

* NMC = NC, NR, NX, NY, ZC, ZR, ZX and ZY

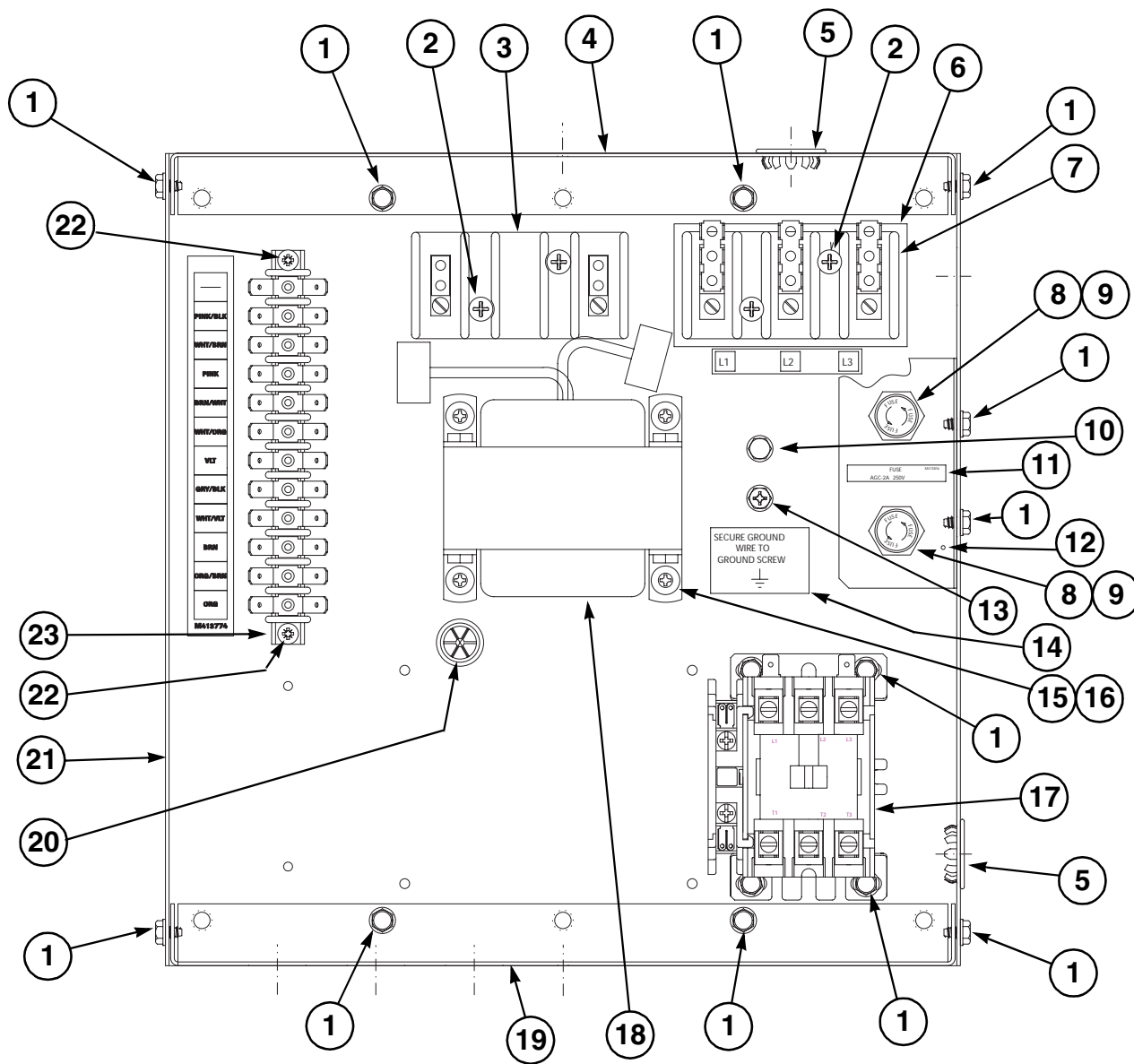
Contactor Box Assembly

Gas and Steam Models

200 Volt/ 50 Hertz/ 3 Phase - CD, MT, NMC*, OM

200-208/ 240 Volt/ 60 Hertz/ 3 Phase - CD, MT, NMC*, OM

230-240 Volt/ 50 Hertz/ 3 Phase - CD, MT, NMC*, OM



TMB1548P

* NMC = NC, NR, NX, NY, ZC, ZR, ZX and ZY

Contactor Box Assembly

Gas and Steam Models

200 Volt/ 50 Hertz/ 3 Phase - CD, MT, NMC*, OM

200-208/ 240 Volt/ 60 Hertz/ 3 Phase - CD, MT, NMC*, OM

230-240 Volt/ 50 Hertz/ 3 Phase - CD, MT, NMC*, OM

REF	PART #	DESCRIPTION	COMMENTS
	M413506	Jumper Configuration Assembly	208 Volt; Used only on 200Volt/50 Hertz/3 Phase; CD, MT, NMC and OM models
	M413507	Jumper Configuration Assembly	240 Volt; Used only on 200-208/240 Volt/60 Hertz/3 Phase and 230-240 Volt/50 Hertz/3 Phase CD, MT, NMC and OM models
	M413683	Harness Assembly	Contactor box; 3 Phase
	M413878	Harness Capacitor Network Assembly	OM models
	M413863	Network Capacitor Assembly	OM models
1	51780	Tap Screw	18 required
2	M405824	Screw	4 required
3	M405364	Terminal Block	2 pole
4	M413757	Contactor Box End	Top
5	M400985	Snap In Plug Button	7/8 inch; 2 required
6	M413862	Insulator	
7	430642	Terminal Block	3 pole
8	91024	Fuse Holder	250 Volt; 2 required
9	M413118	Fuse	250 Volt; 2 Amp; 2 required
10	430497	Tap Screw	OM models
11	M413816	Fuse Sticker	2 Amp
12	M413575	Fuse Bracket	
13	M402917	Ground Screw	
14	M403047	Ground Marker	Electrical
15	M400044	Screw	4 required
16	23951	Keps Nut	4 required
17	M413614	Fan Contactor	
18	M414228	Multitap Transformer	100-240 Volt
19	M413758	Contactor Box End	Bottom
20	M411537	Snap Bushing	5/8 inch
21	44028401	Contactor Box Wrapper	
22	51778	Tap Screw	2 required
23	M413542	Terminal Strip	12 circuit

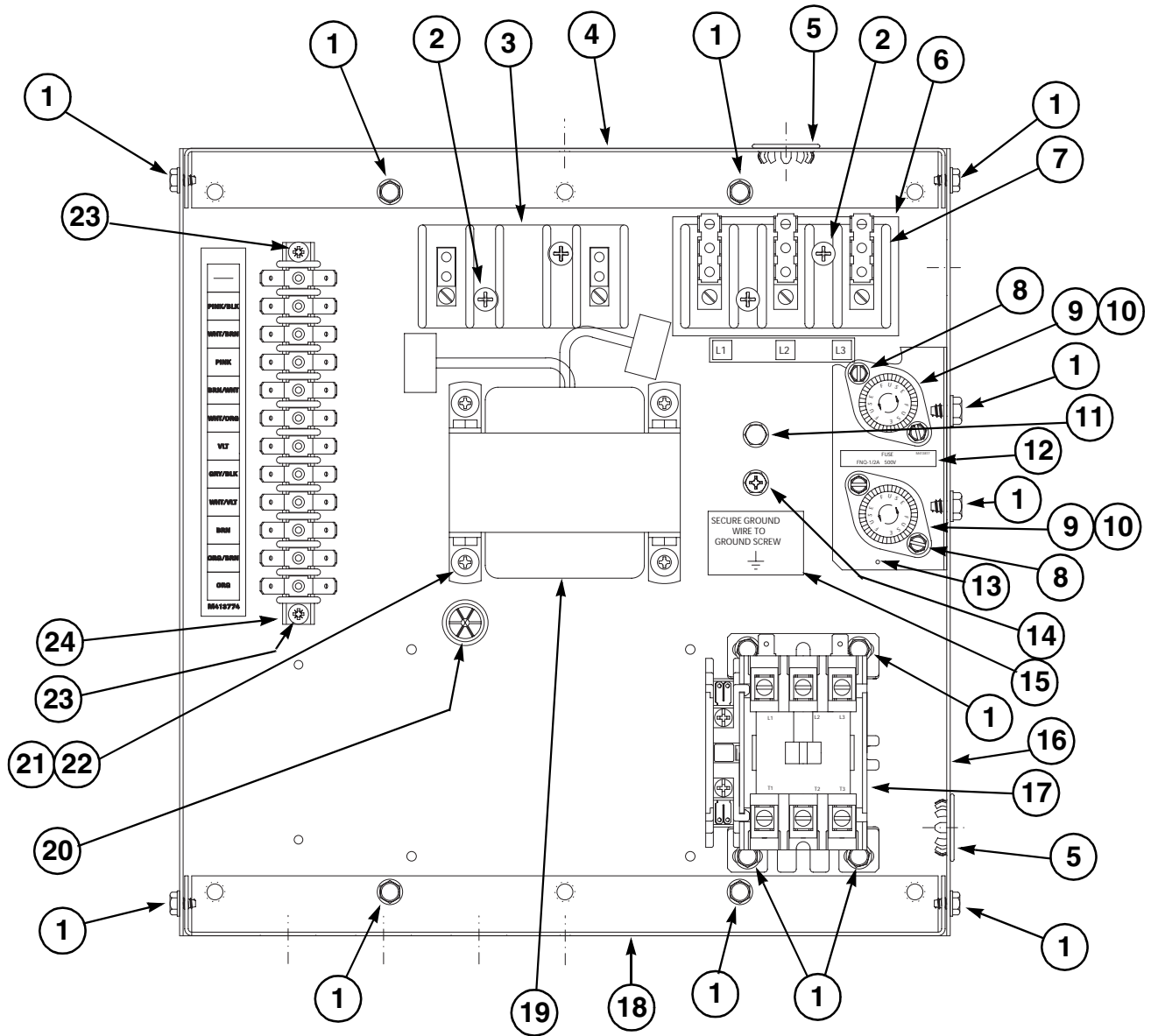
* NMC = NC, NR, NX, NY, ZC, ZR, ZX and ZY

Contactor Box Assembly

Gas and Steam Models

380/400-415 Volt/ 50 Hertz/ 3 Phase - CD, MT, NMC*, OM

460-480 Volt/ 60 Hertz/ 3 Phase - CD, MT, NMC*, OM



TMB1550P

* NMC = NC, NR, NX, NY, ZC, ZR, ZX and ZY

Contactor Box Assembly

Gas and Steam Models

380/400-415 Volt/ 50 Hertz/ 3 Phase - CD, MT, NMC*, OM

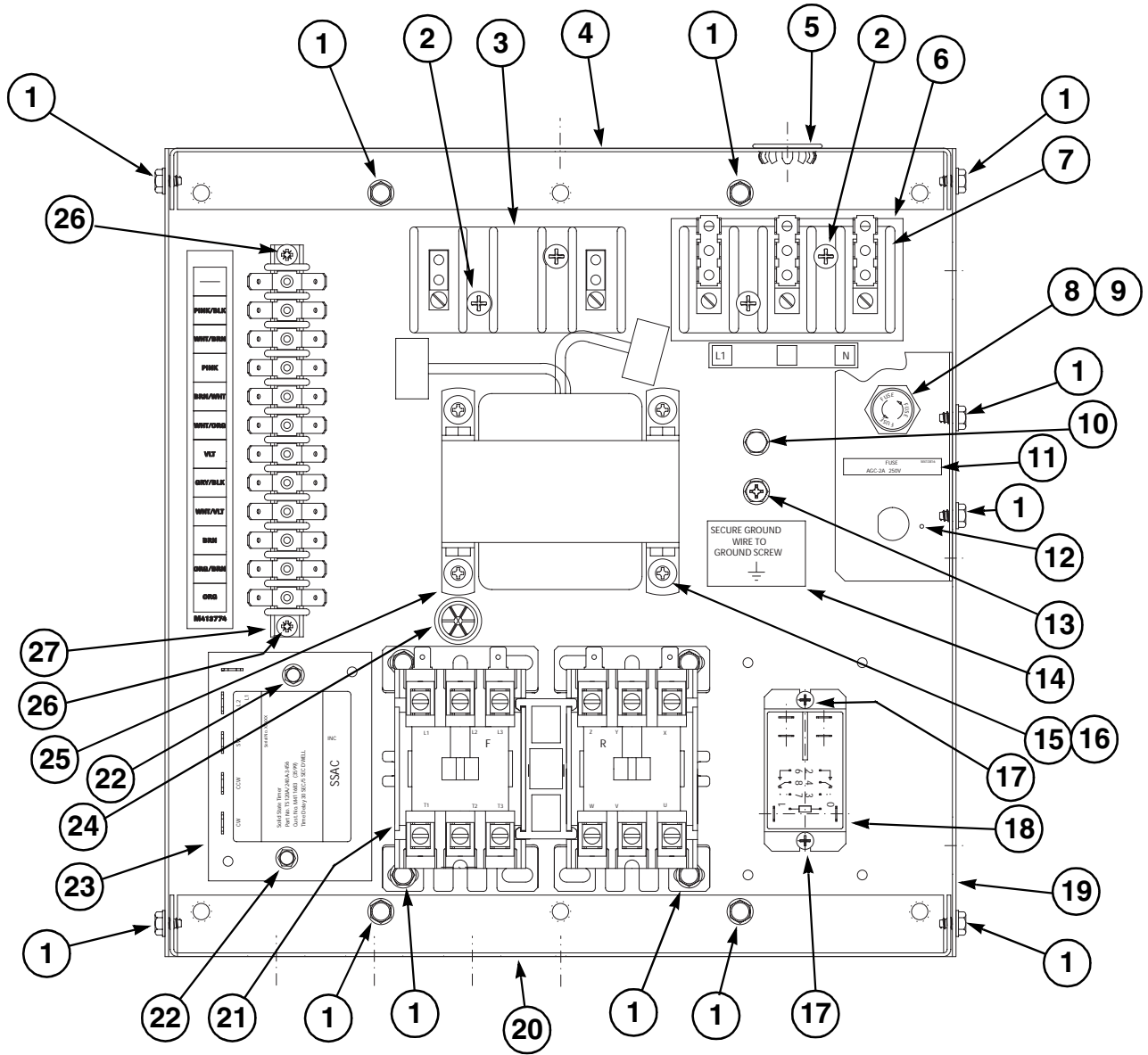
460-480 Volt/ 60 Hertz/ 3 Phase - CD, MT, NMC*, OM

REF	PART #	DESCRIPTION	COMMENTS
	M413508	Jumper Configuration Assembly	Used only on 380/400-415 Volt/50 Hertz/3 Phase CD, MT, NMC and OM models
	M413510	Jumper Configuration Assembly	480 Volt; Used only on 460-480 Volt/60 Hertz/3 Phase CD, MT, NMC and OM models
	M413683	Harness Assembly	Contactor box; 3 Phase
	M413878	Harness Capacitor Network Assembly	OM models
	M413863	Network Capacitor Assembly	OM models
1	51780	Tap Screw	18 required
2	M405824	Screw	4 required
3	M405364	Terminal Block	2 pole
4	M413757	Contactor Box End	Top
5	M400985	Snap In Plug Button	7/8 inch; 2 required
6	M413862	Insulator	
7	430642	Terminal Block	3 pole
8	501086	Tap Screw	4 required
9	M413544	Fuse Holder	600 Volt; 2 required
10	M413621	Fuse	500 Volt-1/2 Amp; 2 required
11	430497	Tap Screw	OM models
12	M413817	Fuse Sticker	1/2 Amp
13	M413576	Fuse Bracket	
14	M402917	Ground Screw	
15	M403047	Ground Marker	Electrical
16	44028401	Contactor Box Wrapper	
17	M413614	Fan Contactor	
18	M413758	Contactor Box End	Bottom
19	M414229	Multitap Transformer	380-480 Volt
20	M411537	Snap Bushing	5/8 inch
21	M400044	Screw	4 required
22	23951	Keps Nut	4 required
23	51778	Tap Screw	2 required
24	M413542	Terminal Strip	12 circuit

* NMC = NC, NR, NX, NY, ZC, ZR, ZX and ZY

Contactor Box Assembly

Gas and Steam Models
230-240 Volt/ 50 Hertz/ 1 Phase - RM, RT



TMB1552P

Contactor Box Assembly

Gas and Steam Models
230-240 Volt/ 50 Hertz/ 1 Phase - RM, RT

REF	PART #	DESCRIPTION	COMMENTS
	M413507	Jumper Configuration Assembly	240 Volt
	44006001	Harness Assembly	Contactor box; 1 Phase; Reversing
	M413168	Jumper Assembly	Bypass; RM models
	M413694	Jumper Assembly	Reversing contactor; 1 Phase; Upper
	M413695	Jumper Assembly	Reversing contactor; 1 Phase; Lower
	M413878	Harness Capacitor Network Assembly	RM models
	M413863	Network Capacitor Assembly	RM models
	44008001	Reversing Timer Harness Assembly	RT models
1	51780	Screw	18 required
2	M405824	Screw	4 required
3	M405364	Terminal Block	2 pole
4	M413757	Contactor Box End	Top
5	M400985	Snap In Plug Button	
6	M413862	Insulator	
7	430642	Terminal Block	3 pole
8	91024	Fuse Holder	250 Volt
9	M413118	Fuse	250 Volt-2 Amp
10	430497	Tap Screw	RM models
11	M413816	Fuse Sticker	2 Amp
12	M413575	Fuse Bracket	
13	M402917	Ground Screw	
14	M403047	Ground Marker	Electrical
15	M400044	Screw	4 required
16	23951	Keps Nut	4 required
17	51778	Screw	2 required
18	502501	Power Relay	24 Volt
19	44028401	Contactor Box Wrapper	
20	M413758	Contactor Box End	Bottom
21	M413615	Reversing Contactor	
22	M412105	Tap Screw	2 required; RT models
23	M412081	Reversing Timer	24 Volt; RT models
24	M411537	Snap Bushing	5/8 inch
25	M414228	Transformer	Multitap 100-240 Volt
26	51778	Tap Screw	2 required
27	M413542	Terminal Strip	12 circuit

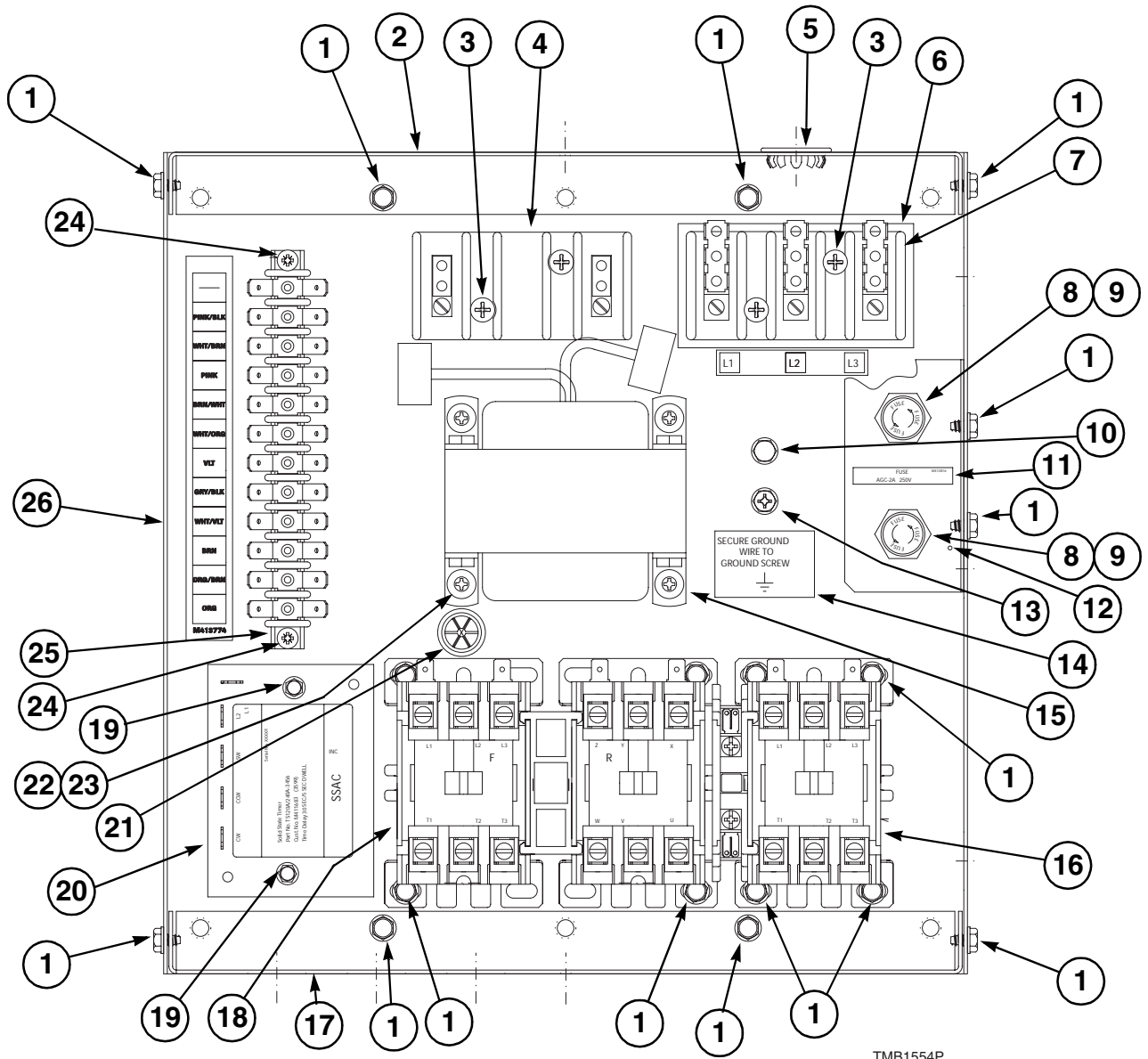
Contactor Box Assembly

Gas and Steam Models

200 Volt/ 50 Hertz/ 3 Phase - RM, RT

200-208/ 240 Volt/ 60 Hertz/ 3 Phase - RM, RT

230-240 Volt/ 50 Hertz/ 3 Phase - RM, RT



Contactor Box Assembly

Gas and Steam Models
 200 Volt/ 50 Hertz/ 3 Phase - RM, RT
 200-208/ 240 Volt/ 60 Hertz/ 3 Phase - RM, RT
 230-240 Volt/ 50 Hertz/ 3 Phase - RM, RT

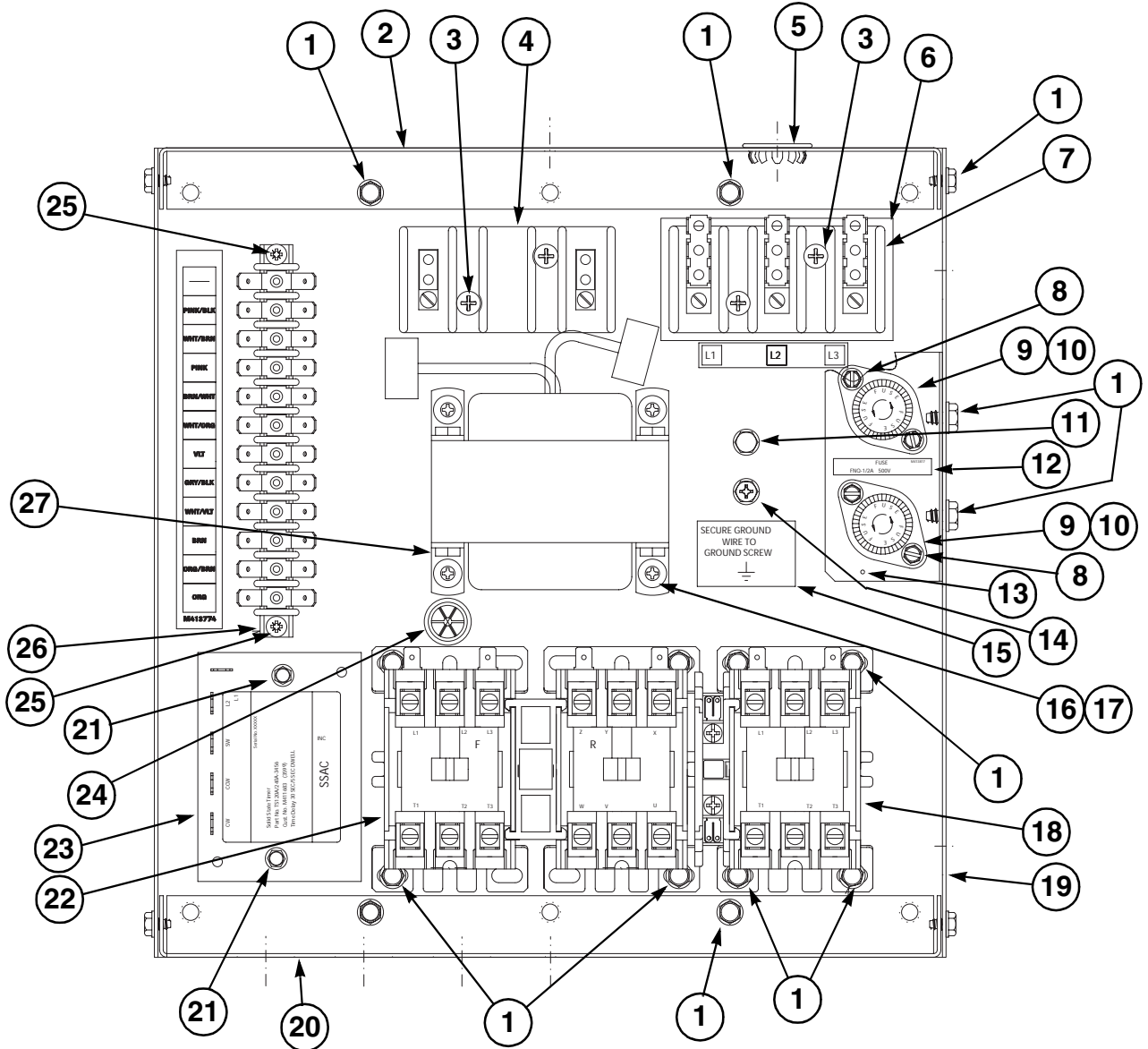
REF	PART #	DESCRIPTION	COMMENTS
	M413506	Jumper Configuration Assembly	208 Volt; Used only on 200Volt/50 Hertz/3 Phase RT and RM models
	M413507	Jumper Configuration Assembly	240 Volt; Used only on 200-208/240 Volt/60 Hertz/3 Phase and 230-240 Volt/50 Hertz/3 Phase RT and RM models
	M413684	Harness Assembly	Contactor box; 3 Phase; Reversing
	M413168	Jumper Assembly	Bypass; RM models
	M413624	Jumper Assembly	Reversing contactor; 3 Phase; Upper
	M413625	Jumper Assembly	Reversing contactor; 3 Phase; Lower
	M413878	Harness Capacitor Network Assembly	RM models
	M413863	Network Capacitor Assembly	RM models
	44008001	Reversing Timer Harness Assembly	RT models
1	51780	Tap Screw	22 required
2	M413757	Contactor Box End	Top
3	M405824	Screw	4 required
4	M405364	Terminal Block	2 pole
5	M400985	Snap In Plug Button	7/8 inch
6	M413862	Insulator	
7	430642	Terminal Block	3 pole
8	91024	Fuse Holder	250 Volt; 2 required
9	M413118	Fuse	250 Volt; 2 Amp; 2 required
10	430497	Tap Screw	RM models
11	M413816	Fuse Sticker	2 Amp
12	M413575	Fuse Bracket	
13	M402917	Ground Screw	
14	M403047	Ground Marker	Electrical
15	M414228	Multitap Transformer	100-240 Volt
16	M413614	Fan Contactor	
17	M413758	Contactor Box End	Bottom
18	M413615	Reversing Contactor	
19	M412105	Tap Screw	2 required; RT models
20	M412081	Reversing Timer	24 Volt; RT models
21	M411537	Snap Bushing	5/8 inch
22	M400044	Screw	4 required
23	23951	Keps Nut	4 required
24	51778	Tap Screw	2 required
25	M413542	Terminal Strip	12 circuit
26	44028401	Contactor Box Wrapper	

Contactor Box Assembly

Gas and Steam Models

380/400-415 Volt/ 50 Hertz/ 3 Phase - RM, RT

460-480 Volt/ 60 Hertz/ 3 Phase - RM, RT



TMB1556P

Contactor Box Assembly

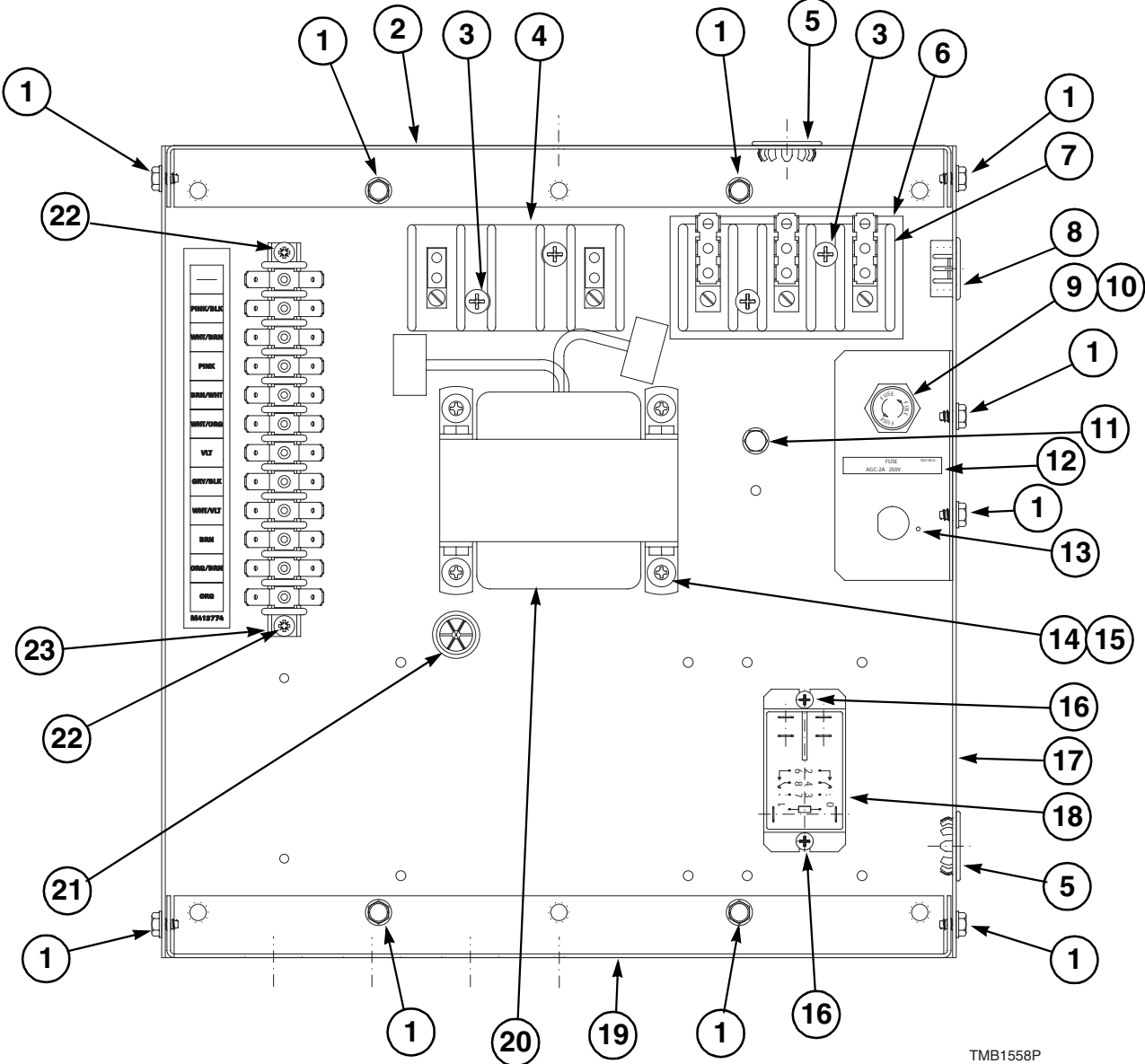
Gas and Steam Models
 380/400-415 Volt/ 50 Hertz/ 3 Phase - RM, RT
 460-480 Volt/ 60 Hertz/ 3 Phase - RM, RT

REF	PART #	DESCRIPTION	COMMENTS
	M413508	Jumper Configuration Assembly	380 Volt; Used only on 380/400-415 Volt/50 Hertz/3 Phase RT and RM models
	M413510	Jumper Configuration Assembly	480 Volt; Used only on 460-480 Volt/60 Hertz/3 Phase RT and RM models
	M413684	Harness Assembly	Contactor box; 3 Phase; Reversing
	M413168	Jumper Assembly	Bypass; RM models
	M413624	Jumper Assembly	Reversing contactor; 3 Phase; Upper
	M413625	Jumper Assembly	Reversing contactor; 3 Phase; Lower
	M413878	Harness Capacitor Network Assembly	RM models
	M413863	Network Capacitor Assembly	RM models
	44008001	Harness Assembly	Reverse timer; RT models
1	51780	Tap Screw	22 required
2	M413757	Contactor Box End	Top
3	M405824	Screw	4 required
4	M405364	Terminal Block	2 pole
5	M400985	Snap In Plug Button	7/8 inch
6	M413862	Insulator	
7	430642	Terminal Block	3 pole
8	501086	Tap Screw	4 required
9	M413544	Fuse Holder	600 Volt; 2 required
10	M413621	Fuse	500 Volt-1/2 Amp; 2 required
11	430497	Tap Screw	RM models
12	M413817	Fuse Sticker	1/2 Amp
13	M413576	Fuse Bracket	
14	M402917	Ground Screw	
15	M403047	Ground Marker	Electrical
16	M400044	Screw	4 required
17	23951	Keps Nut	
18	M413614	Fan Contactor	
19	44028401	Contactor Box Wrapper	
20	M413758	Contactor Box End	Bottom
21	M412105	Tap Screw	2 required; RT models
22	M413615	Reversing Contactor	
23	M412081	Reversing Timer	24 Volt; RT models
24	M411537	Snap Bushing	5/8 inch
25	51778	Tap Screw	2 required
26	M413542	Terminal Strip	12 circuit
27	M414229	Multitap Transformer	380-480 Volt

Contactor Box Assembly

Electric Models

240 Volt/ 50 Hertz/ 1 Phase - CD, MT, NMC*, OM



* NMC = NC, NR, NX, NY, ZC, ZR, ZX and ZY

Contactor Box Assembly

Electric Models

240 Volt/ 50 Hertz/ 1 Phase - CD, MT, NMC*, OM

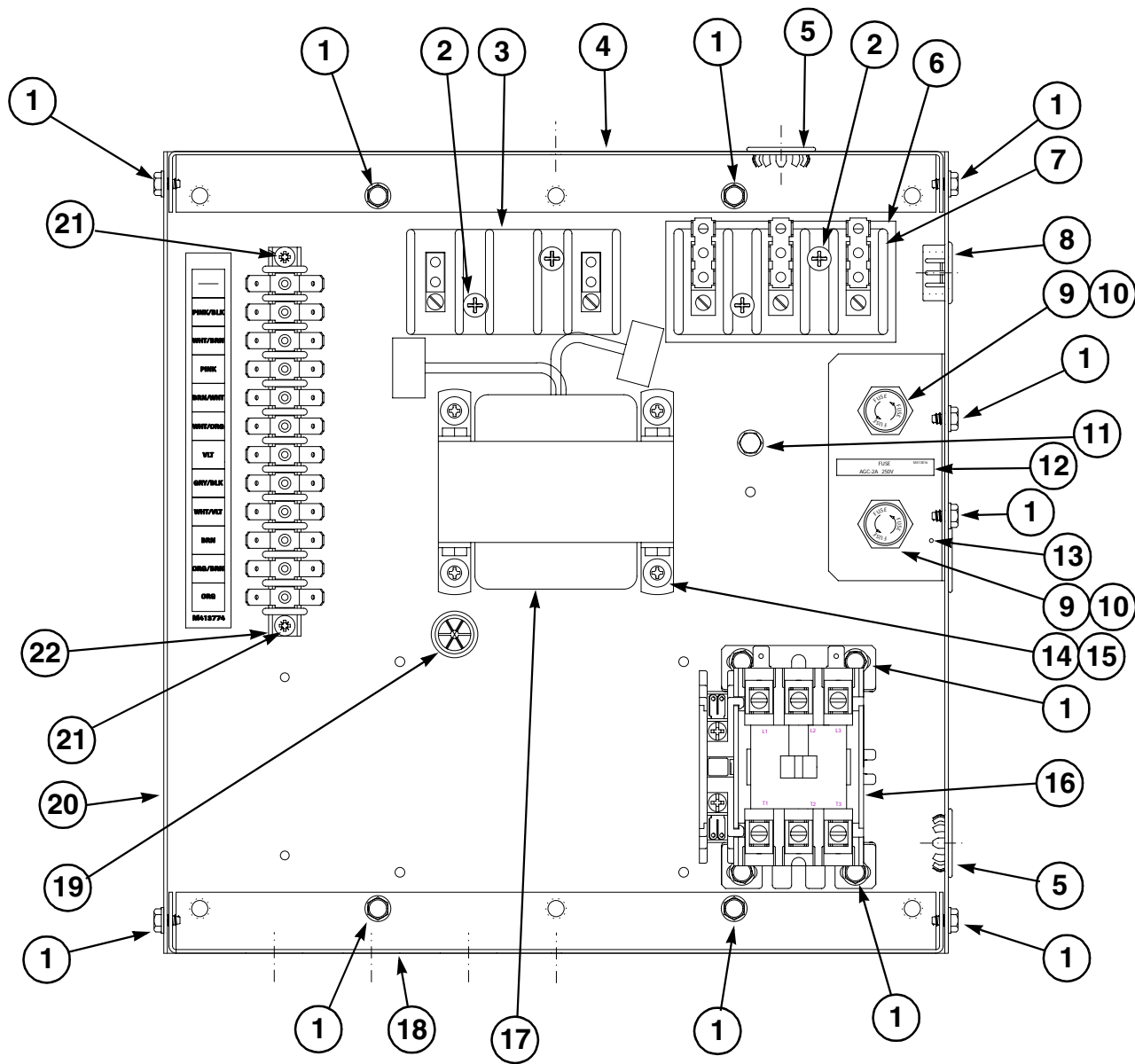
REF	PART #	DESCRIPTION	COMMENTS
	M413507	Jumper Configuration Assembly	240 Volt
	44005801	Harness Assembly	Contactor box; 1 Phase; 2 Wire
	M413878	Harness Capacitor Network Assembly	OM models
	M413863	Network Capacitor Assembly	OM models
1	51780	Tap Screw	14 required
2	M413757	Contactor Box End	Top
3	M405824	Screw	4 required
4	M405364	Terminal Block	2 pole
5	M400985	Snap In Plug Button	7/8 inch; 2 required
6	M413862	Insulator	
7	430642	Terminal Block	3 pole
8	M400770	Snap Bushing	7/8 inch
9	91024	Fuse Holder	250 Volt
10	M413118	Fuse	250 Volt; 2 Amp
11	430497	Tap Screw	OM models
12	M413816	Fuse Sticker	2 Amp
13	M413575	Fuse Bracket	
14	M400044	Screw	4 required
15	23951	Keps Nut	4 required
16	51778	Screw	2 required
17	44028401	Contactor Box Wrapper	
18	502501	Power Relay	24 Volt
19	M413758	Contactor Box End	Bottom
20	M414228	Multitap Transformer	100-240 Volt
21	M411537	Snap Bushing	5/8 inch
22	51778	Tap Screw	2 required
23	M413542	Terminal Strip	12 circuit

* NMC = NC, NR, NX, NY, ZC, ZR, ZX and ZY

Contactor Box Assembly

Electric Models

200 Volt/ 50 Hertz/ 3 Phase - CD, MT, NMC*, OM
 200-208 Volt/ 60 Hertz/ 3 Phase - CD, MT, NMC*, OM
 240 Volt/ 50 Hertz/ 3 Phase - CD, MT, NMC*, OM
 240 Volt/ 60 Hertz/ 3 Phase - CD, MT, NMC*, OM



TMB1560P

* NMC = NC, NR, NX, NY, ZC, ZR, ZX and ZY

Contactor Box Assembly

Electric Models

200 Volt/ 50 Hertz/ 3 Phase - CD, MT, NMC*, OM
 200-208 Volt/ 60 Hertz/ 3 Phase - CD, MT, NMC*, OM
 240 Volt/ 50 Hertz/ 3 Phase - CD, MT, NMC*, OM
 240 Volt/ 60 Hertz/ 3 Phase - CD, MT, NMC*, OM

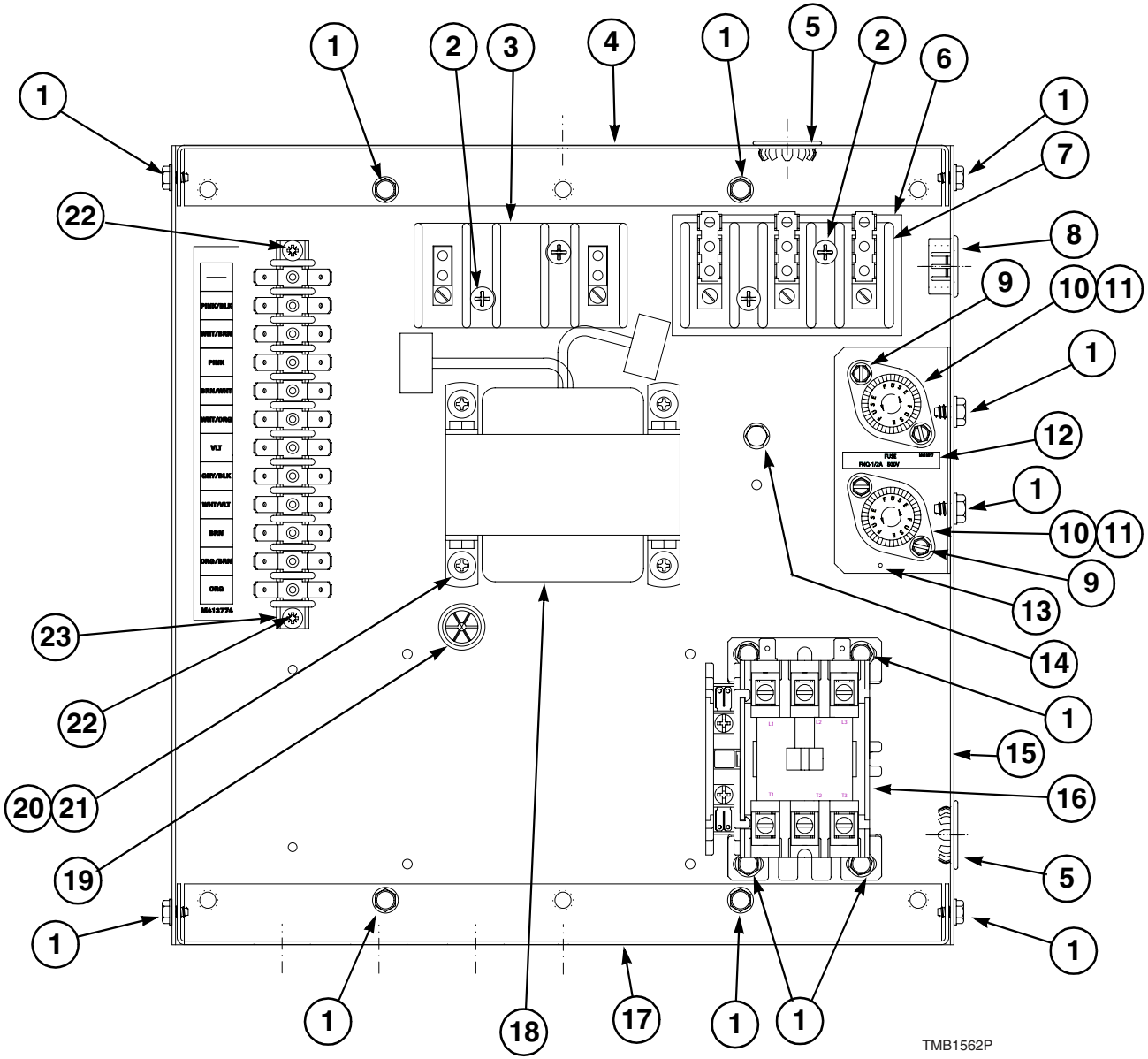
REF	PART #	DESCRIPTION	COMMENTS
	M413506	Jumper Configuration Assembly	208 Volt; Used only on 200-208 Volt/60 Hertz/3 Phase CD, MT, NMC and OM models and 200Volt/50 Hertz/3 Phase CD, NMC and OM models
	M413507	Jumper Configuration Assembly	240 Volt; Used only on 240 Volt/50 Hertz/3 Phase; 240 Volt/60 Hertz/3 Phase CD, MT, NMC and OM models
	M413683	Harness Assembly	Contactor box; 3 Phase
	M413878	Harness Capacitor Network Assembly	OM models
	M413863	Network Capacitor Assembly	OM models
1	51780	Tap Screw	18 required
2	M405824	Screw	4 required
3	M405364	Terminal Block	2 pole
4	M413757	Contactor Box End	Top
5	M400985	Snap In Plug Button	7/8 inch; 2 required
6	M413862	Insulator	
7	430642	Terminal Block	3 pole
8	M400770	Snap Bushing	7/8 inch
9	91024	Fuse Holder	250 Volt; 2 required
10	M413118	Fuse	250 Volt; 2 Amp; 2 required
11	430497	Tap Screw	OM models
12	M413816	Fuse Sticker	2 Amp
13	M413575	Fuse Bracket	
14	M400044	Screw	4 required
15	23951	Keps Nut	4 required
16	M413614	Fan Contactor	
17	M414228	Multitap Transformer	100-240 Volt
18	M413758	Contactor Box End	Bottom
19	M411537	Snap Bushing	5/8 inch
20	44028401	Contactor Box Wrapper	
21	51778	Tap Screw	2 required
22	M413542	Terminal Strip	12 circuit

* NMC = NC, NR, NX, NY, ZC, ZR, ZX and ZY

Contactor Box Assembly

Electric Models

380 Volt/ 50 Hertz/ 3 Phase - CD, MT, NMC*, OM
 415 Volt/ 50 Hertz/ 3 Phase - CD, MT, NMC*, OM
 480 Volt/ 60 Hertz/ 3 Phase - CD, MT, NMC*, OM



* NMC = NC, NR, NX, NY, ZC, ZR, ZX and ZY

Contactor Box Assembly

Electric Models

380 Volt/ 50 Hertz/ 3 Phase - CD, MT, NMC*, OM

415 Volt/ 50 Hertz/ 3 Phase - CD, MT, NMC*, OM

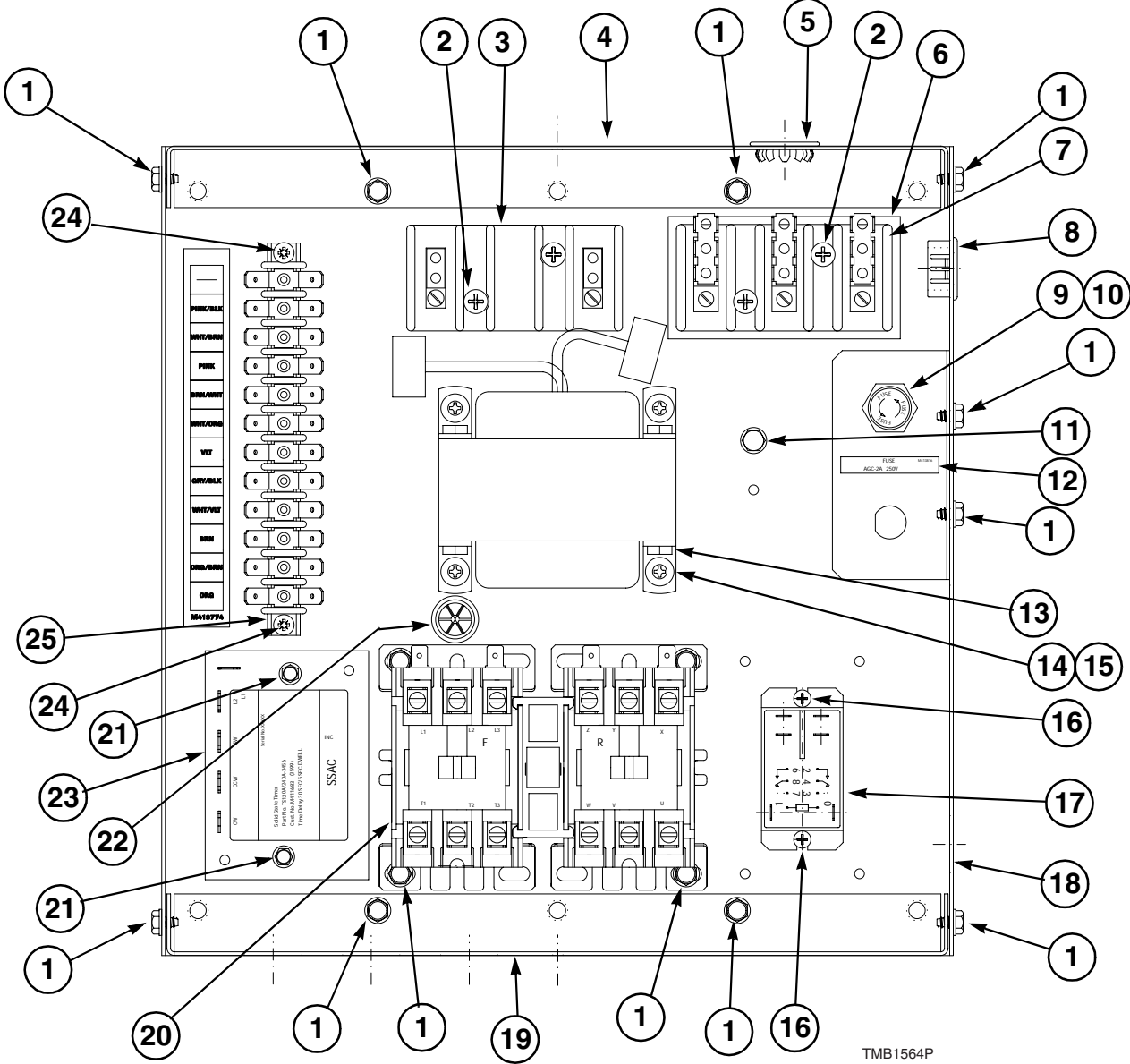
480 Volt/ 60 Hertz/ 3 Phase - CD, MT, NMC*, OM

REF	PART #	DESCRIPTION	COMMENTS
	M413508	Jumper Configuration Assembly	Used only on 380 Volt/50 Hertz/3 Phase CD, MT, NMC and OM models
	M413509	Jumper Configuration Assembly	Used only on 415 Volt/50 Hertz/3 Phase CD, MT, NMC and OM models
	M413510	Jumper Configuration Assembly	Used only on 480 Volt/60 Hertz/3 Phase CD, MT, NMC and OM models
	M413683	Harness Assembly	Contactor box; 3 Phase
	M413878	Harness Capacitor Network Assembly	OM models
	M413863	Network Capacitor Assembly	OM models
1	51780	Tap Screw	18 required
2	M405824	Screw	4 required
3	M405364	Terminal Block	2 pole
4	M413757	Contactor Box End	Top
5	M400985	Snap In Plug Button	7/8 inch; 2 required
6	M413862	Insulator	
7	430642	Terminal Block	3 pole
8	M400770	Snap Bushing	7/8 inch
9	501086	Tap Screw	4 required
10	M413544	Fuse Holder	600 Volt; 2 required
11	M413621	Fuse	500 Volt-1/2 Amp; 2 required
12	M413817	Fuse Sticker	1/2 Amp
13	M413576	Fuse Bracket	
14	430497	Tap Screw	OM models
15	44028401	Contactor Box Wrapper	
16	M413614	Fan Contactor	
17	M413758	Contactor Box End	Bottom
18	M414229	Multitap Transformer	380-480 Volt
19	M411537	Snap Bushing	5/8 inch
20	M400044	Screw	4 required
21	23951	Keps Nut	4 required
22	51778	Tap Screw	2 required
23	M413542	Terminal Strip	12 circuit

* NMC = NC, NR, NX, NY, ZC, ZR, ZX and ZY

Contactor Box Assembly

Electric Models
 240 Volt/ 50 Hertz/ 1 Phase - RM, RT



TMB1564P

Contactor Box Assembly

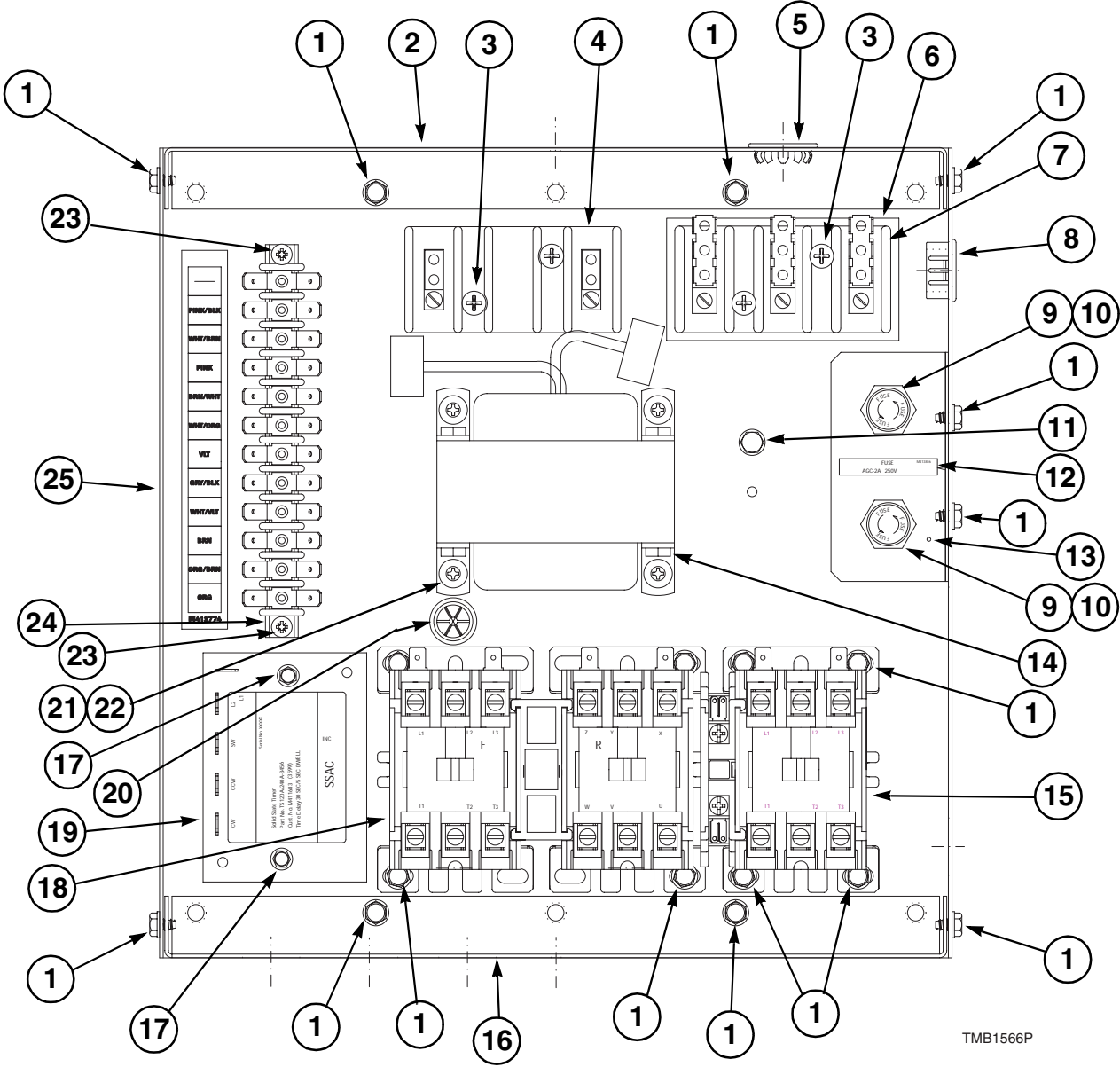
Electric Models
240 Volt/ 50 Hertz/ 1 Phase - RM, RT

REF	PART #	DESCRIPTION	COMMENTS
	M413507	Jumper Configuration Assembly	240 Volt
	M413575	Fuse Bracket	LV
	44006001	Harness Assembly	Contactor box; 1 Phase; Reversing
	M413168	Jumper Bypass Assembly	RM models
	M413694	Jumper Assembly	Reversing Contactor; 1 Phase; Upper
	M413695	Jumper Assembly	Reversing Contactor; 1 Phase; Lower
	M413878	Harness Capacitor Network Assembly	RM models
	M413863	Network Capacitor Assembly	RM models
	44008001	Reversing Timer Harness Assembly	RT models
1	51780	Tap Screw	18 required
2	M405824	Screw	4 required
3	M405364	Terminal Block	2 pole
4	M413757	Contactor Box End	Top
5	M400985	Snap In Plug Button	7/8 inch
6	M413862	Insulator	
7	430642	Terminal Block	3 pole
8	M400770	Snap Bushing	7/8 inch
9	91024	Fuse Holder	250 Volt
10	M413118	Fuse	250 Volt; 2 Amp
11	430497	Tap Screw	RM models
12	M413816	Fuse Sticker	2 Amp
13	M414228	Multitap Transformer	100-240 Volt
14	M400044	Screw	4 required
15	23951	Keps Nut	4 required
16	51778	Screw	2 required
17	502501	Power Relay	24 Volt
18	44028401	Contactor Box Wrapper	
19	M413758	Contactor Box End	Bottom
20	M413615	Reversing Contactor	
21	M412105	Tap Screw	2 required; RT models
22	M411537	Snap Bushing	5/8 inch
23	M412081	Reversing Timer	24 Volt; RT models
24	51778	Tap Screw	2 required
25	M413542	Terminal Strip	12 circuit

Contactor Box Assembly

Electric Models

- 200 Volt/ 50 Hertz/ 3 Phase - RM, RT
- 200-208 Volt/ 60 Hertz/ 3 Phase - RM, RT
- 240 Volt/ 50 Hertz/ 3 Phase - RM, RT
- 240 Volt/ 60 Hertz/ 3 Phase - RM, RT



Contactor Box Assembly

Electric Models

200 Volt/ 50 Hertz/ 3 Phase - RM, RT
 200-208 Volt/ 60 Hertz/ 3 Phase - RM, RT
 240 Volt/ 50 Hertz/ 3 Phase - RM, RT
 240 Volt/ 60 Hertz/ 3 Phase - RM, RT

REF	PART #	DESCRIPTION	COMMENTS
	M413506	Jumper Configuration Assembly	208 Volt; Used only on 200-208 Volt/60 Hertz/3 Phase and 200Volt/50 Hertz/3 Phase RM and RT models
	M413507	Jumper Configuration Assembly	240 Volt; Used only on 240 Volt/50 Hertz/3 Phase and 240 Volt/60 Hertz/3 Phase RM and RT models
	M413684	Harness Assembly	Contactor box; 3 Phase; Reversing
	M413168	Jumper Assembly	Bypass; RM models
	M413624	Jumper Assembly	Reversing contactor; 3 Phase; Upper
	M413625	Jumper Assembly	Reversing contactor; 3 Phase; Lower
	M413878	Harness Capacitor Network Assembly	RM models
	M413863	Network Capacitor Assembly	RM models
	44008001	Harness Assembly	RT models
1	51780	Tap Screw	22 required
2	M413757	Contactor Box End	Top
3	M405824	Screw	4 required
4	M405364	Terminal Block	2 pole
5	M400985	Snap In Plug Button	7/8 inch
6	M413862	Insulator	
7	430642	Terminal Block	3 pole
8	M400770	Snap Bushing	7/8 inch
9	91024	Fuse Holder	250 Volt; 2 required
10	M413118	Fuse	250 Volt; 2 Amp; 2 required
11	430497	Tap Screw	RM models
12	M413816	Fuse Sticker	2 Amp
13	M413575	Fuse Bracket	
14	M414228	Multitap Transformer	100-240 Volt
15	M413614	Fan Contactor	
16	M413758	Contactor Box End	Bottom
17	M412105	Tap Screw	2 required; RT models
18	M413615	Reversing Contactor	
19	M412081	Reversing Timer	24 Volt; RT models
20	M411537	Snap Bushing	5/8 inch
21	M400044	Screw	4 required
22	23951	Keps Nut	4 required
23	51778	Tap Screw	2 required
24	M413542	Terminal Strip	12 circuit
25	44028401	Contactor Box Wrapper	

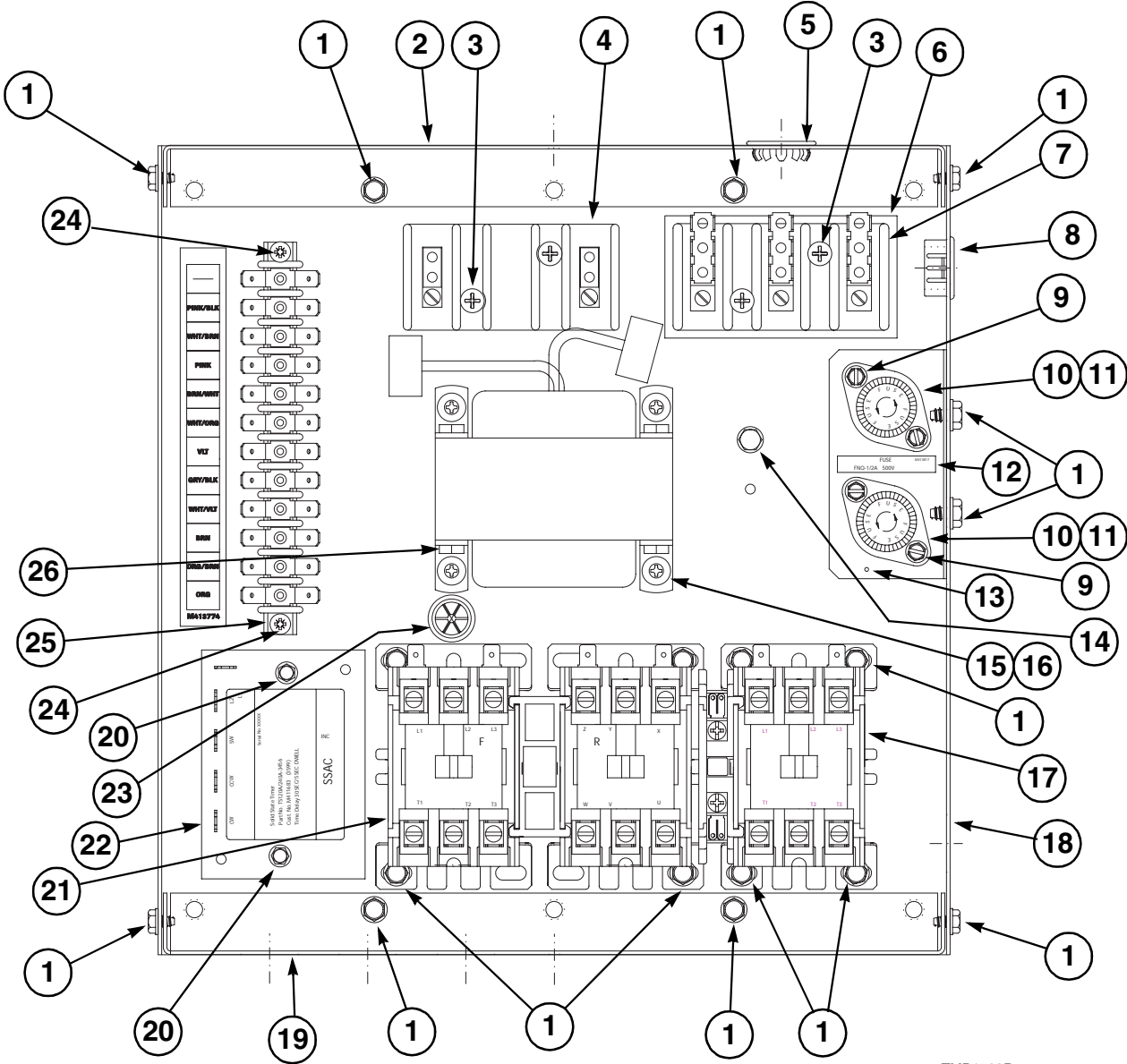
Contactor Box Assembly

Electric Models

380 Volt/ 50 Hertz/ 3 Phase - RM, RT

415 Volt/ 50 Hertz/ 3 Phase - RM, RT

480 Volt/ 60 Hertz/ 3 Phase - RM, RT



TMB1568P

Contactor Box Assembly

Electric Models

380 Volt/ 50 Hertz/ 3 Phase - RM, RT

415 Volt/ 50 Hertz/ 3 Phase - RM, RT

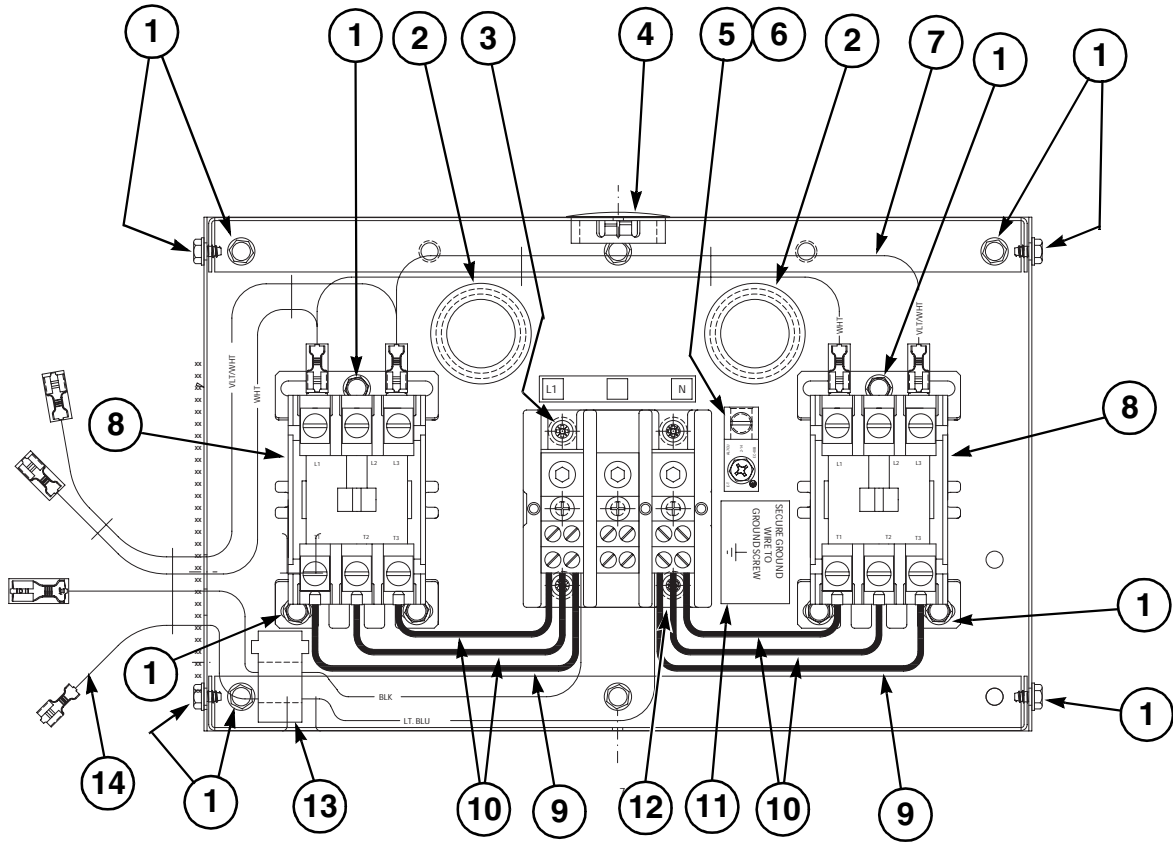
480 Volt/ 60 Hertz/ 3 Phase - RM, RT

REF	PART #	DESCRIPTION	COMMENTS
	M413508	Jumper Configuration Assembly	Used only on 380 Volt/50 Hertz/3 Phase RM and RT models
	M413509	Jumper Configuration Assembly	Used only on 415 Volt/50 Hertz/3 Phase RM and RT models
	M413510	Jumper Configuration Assembly	Used only on 480 Volt/60 Hertz/3 Phase RM and RT models
	M413684	Harness Assembly	Contactor box; 3 Phase; Reversing
	M413168	Jumper Bypass Assembly	RM models
	M413624	Jumper Assembly	Reversing Contactor; 3 Phase; Upper
	M413625	Jumper Assembly	Reversing Contactor; 3 Phase; Lower
	M413878	Harness Capacitor Network Assembly	RM models
	M413863	Network Capacitor Assembly	RM models
	44008001	Reverse Timer Harness Assembly	RT models
1	51780	Tap Screw	22 required
2	M413757	Contactor Box End	Top
3	M405824	Screw	4 required
4	M405364	Terminal Block	2 pole
5	M400985	Snap In Plug Button	7/8 inch
6	M413862	Insulator	
7	430642	Terminal Block	3 pole
8	M400770	Snap Bushing	7/8 inch
9	501086	Tap Screw	4 required
10	M413544	Fuse Holder	600 Volt; 2 required
11	M413621	Fuse	500 Volt-1/2 Amp; 2 required
12	M413817	Fuse Sticker	1/2 Amp
13	M413576	Fuse Bracket	
14	430497	Tap Screw	RM models
15	M400044	Screw	4 required
16	23951	Keps Nut	4 required
17	M413614	Fan Contactor	
18	44028401	Contactor Box Wrapper	
19	M413758	Contactor Box End	Bottom
20	M412105	Tap Screw	2 required; RT models
21	M413615	Reversing Contactor	
22	M412081	Reversing Timer	24 Volt; RT models
23	M411537	Snap Bushing	5/8 inch
24	51778	Tap Screw	2 required
25	M413542	Terminal Strip	12 circuit
26	M414229	Multitap Transformer	380-480 Volt

Accessory Box Assembly

Electric Models

240 Volt/ 50 Hertz/ 1 Phase - CD, MT, NMC*, OM, RM, RT



TMB1570P

* NMC = NC, NR, NX, NY, ZC, ZR, ZX and ZY

Accessory Box Assembly

Electric Models

240 Volt/ 50 Hertz/ 1 Phase - CD, MT, NMC*, OM, RM, RT

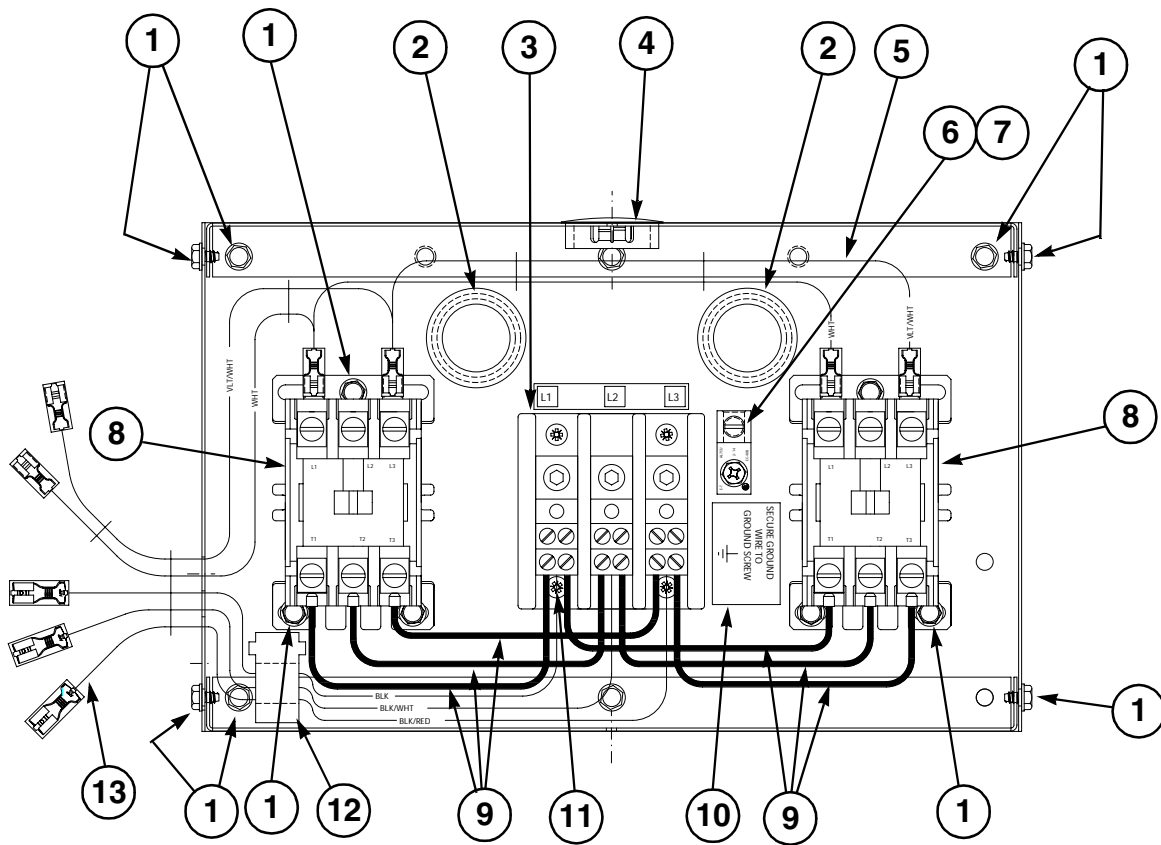
REF	PART #	DESCRIPTION	COMMENTS
1	51780	Tap Screw	18 required
2	M402542	Snap Bushing	1 3/8 inch; 2 required
3	32671	Tap Screw	4 required
4	M413968	Hole Plug	1 3/8 inch
5	M402917	Ground Screw	
6	M411283	Ground Lug Connector	
7	M413883	Harness Jumper Set Assembly	
8	M413616	Contactator	2 required
9	M413934	Jumper Cable Assembly	2 required
10	M413933	Jumper Cable Assembly	4 required
11	M403047	Ground Marker	Electrical
12	M413865	Power Distribution Block	3 pole
13	M413930	Core Ferrite Assembly	OM and RM models
14	M413932	Harness Accessory Box Assembly	1 Phase

* NMC = NC, NR, NX, NY, ZC, ZR, ZX and ZY

Accessory Box Assembly

Electric Models

200 Volt/ 50 Hertz/ 3 Phase - CD, MT, NMC*, OM, RM, RT
 200-208Volt/ 60 Hertz/ 3 Phase - CD, MT, NMC*, OM, RM, RT
 240 Volt/ 50 Hertz/ 3 Phase - CD, MT, NMC*, OM, RM, RT
 240 Volt/ 60 Hertz/ 3 Phase - CD, MT, NMC*, OM, RM, RT



TMB1572P

* NMC = NC, NR, NX, NY, ZC, ZR, ZX and ZY

Accessory Box Assembly

Electric Models

200 Volt/ 50 Hertz/ 3 Phase - CD, MT, NMC*, OM, RM, RT
 200-208Volt/ 60 Hertz/ 3 Phase - CD, MT, NMC*, OM, RM, RT
 240 Volt/ 50 Hertz/ 3 Phase - CD, MT, NMC*, OM, RM, RT
 240 Volt/ 60 Hertz/ 3 Phase - CD, MT, NMC*, OM, RM, RT

REF	PART #	DESCRIPTION	COMMENTS
1	51780	Tap Screw	18 required
2	M402542	Snap Bushing	1 3/8 inch; 2 required
3	M413865	Power Distribution Block	3 pole
4	M413968	Hole Plug	1 3/8 inch
5	M413883	Harness Jumper Set Assembly	
6	M402917	Ground Screw	
7	M411283	Ground Lug Connector	
8	M413616	Contactator	2 required
9	M413933	Jumper Cable Assembly	6 required
10	M403047	Ground Marker	Electrical
11	32671	Tap Screw	4 required
12	M413930	Core Ferrite Assembly	OM and RM models
13	M413696	Harness Accessory Box Assembly	3 Phase

* NMC = NC, NR, NX, NY, ZC, ZR, ZX and ZY

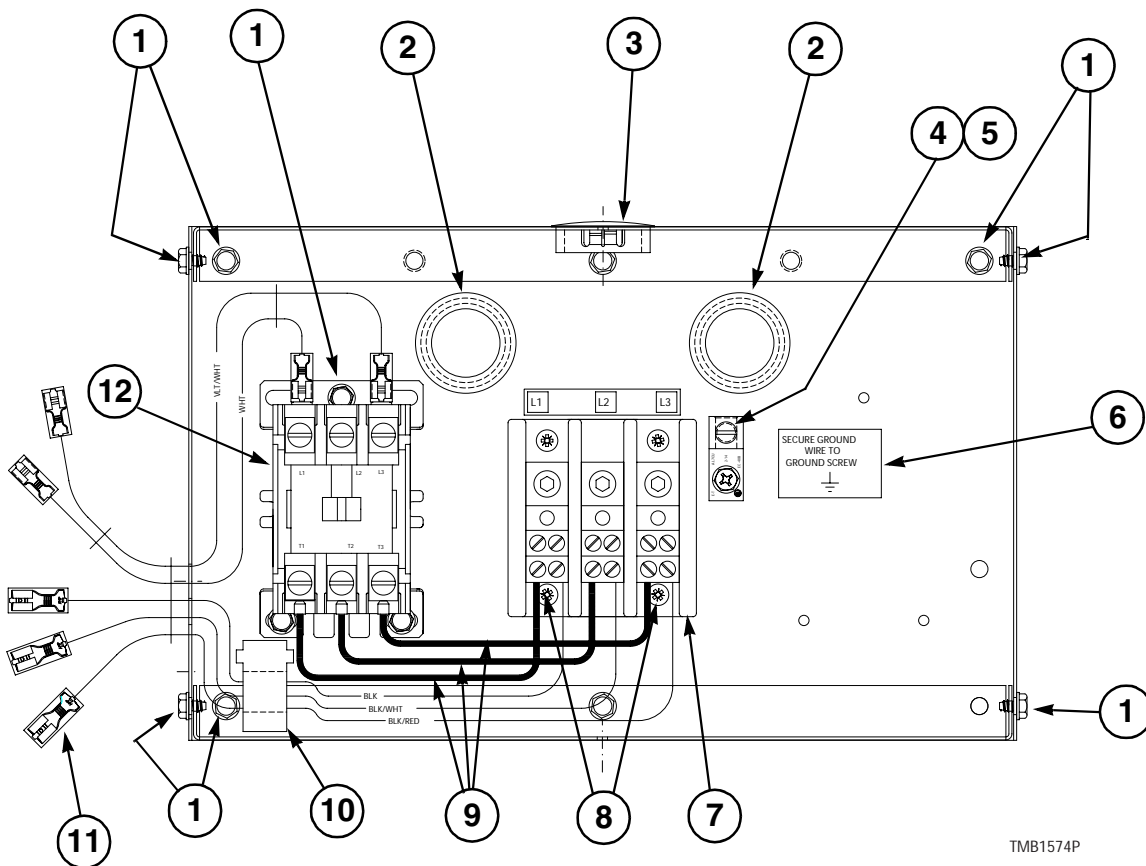
Accessory Box Assembly

Electric Models

380 Volt/ 50 Hertz/ 3 Phase - CD, MT, NMC*, OM, RM, RT

415 Volt/ 50 Hertz/ 3 Phase - CD, MT, NMC*, OM, RM, RT

480 Volt/ 60 Hertz/ 3 Phase - CD, MT, NMC*, OM, RM, RT



* NMC = NC, NR, NX, NY, ZC, ZR, ZX and ZY

Accessory Box Assembly

Electric Models

380 Volt/ 50 Hertz/ 3 Phase - CD, MT, NMC*, OM, RM, RT

415 Volt/ 50 Hertz/ 3 Phase - CD, MT, NMC*, OM, RM, RT

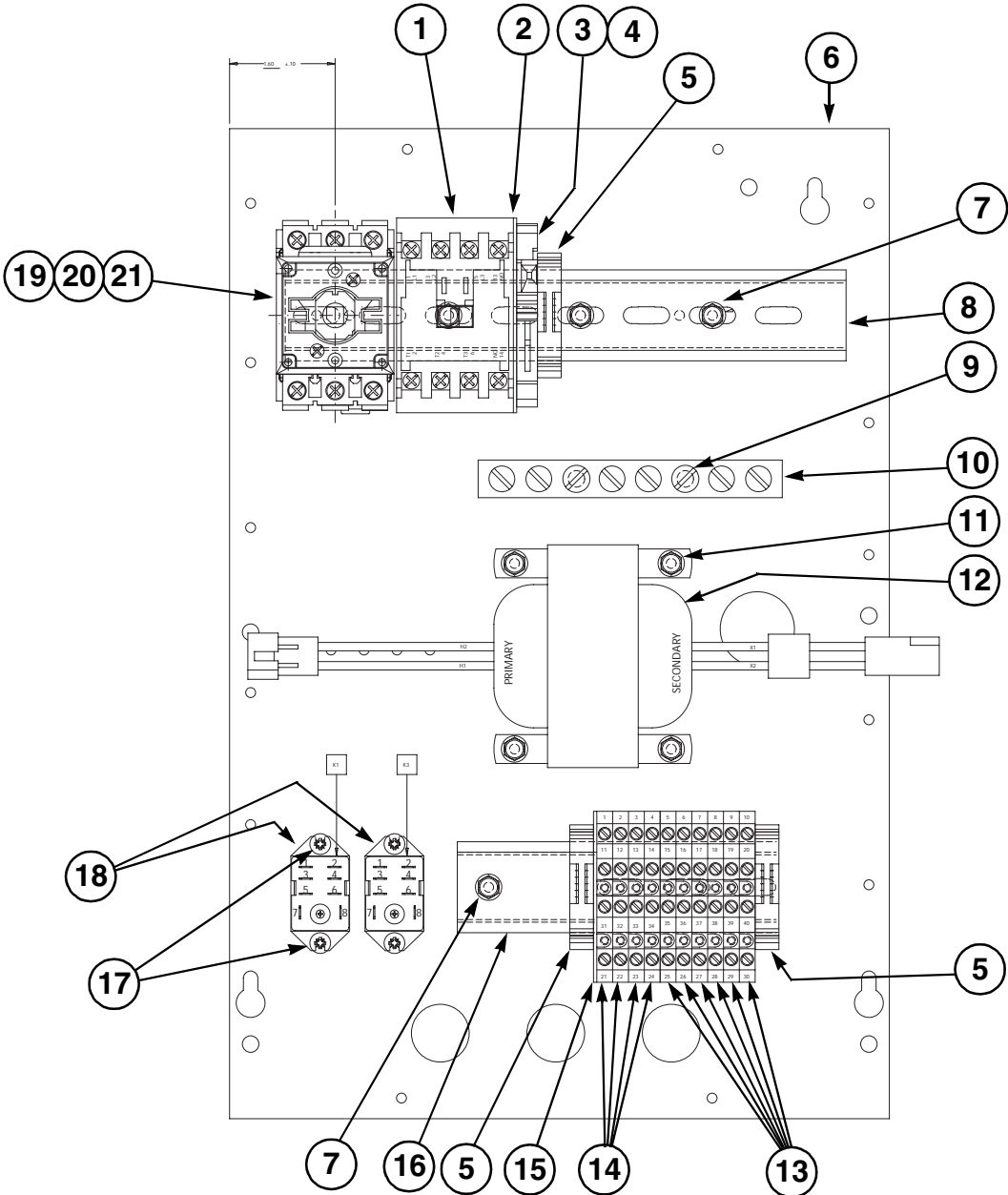
480 Volt/ 60 Hertz/ 3 Phase - CD, MT, NMC*, OM, RM, RT

REF	PART #	DESCRIPTION	COMMENTS
1	51780	Tap Screw	15 required
2	M402542	Snap Bushing	1 3/8 inch; 2 required
3	M413968	Hole Plug	1 3/8 inch
4	M402917	Ground Screw	
5	M411283	Ground Lug Connector	
6	M403047	Ground Marker	Electrical
7	M413865	Power Distribution Block	3 pole
8	32671	Tap Screw	4 required
9	M413933	Jumper Cable Assembly	3 required
10	M413930	Core Ferrite Assembly	OM and RM models
11	M413696	Harness Accessory Box Assembly	3 Phase
12	M413616	Contactor	

* NMC = NC, NR, NX, NY, ZC, ZR, ZX and ZY

Contactor Box Assembly

EU Gas Models
230 Volt/ 50 Hertz/ 1 Phase - MT



TMB1576P

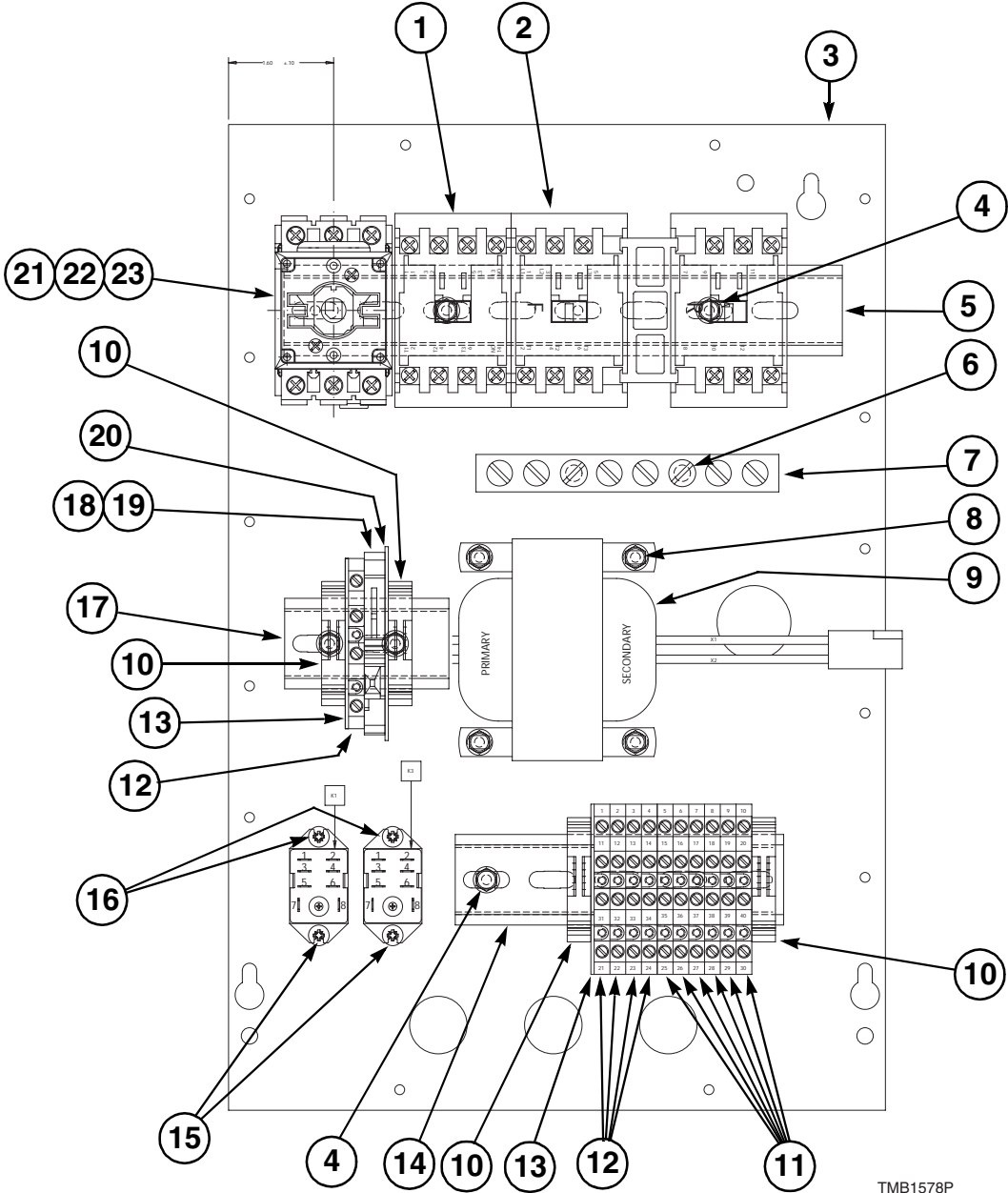
Contactor Box Assembly

EU Gas Models
230 Volt/ 50 Hertz/ 1 Phase - MT

REF	PART #	DESCRIPTION	COMMENTS
	M412636	Relay Harness	K1, K2, K3
	M412641	Transformer Harness	Secondary
	M412642	Transformer Harness	Primary; 240 Volt
	M412644	Harness Jumper Assembly	240 Volt; Junction box
1	M412404	Motor Contactor	9 Amp
2	M412540	End Section	
3	M412537	Fuse Holder	230 Volt primary
4	502593	Fuse	
5	70121001	End Stop	230 Volt; 3 required
6	M412648	Junction Box	Bottom
7	51780	Screw	5 required
8	M412689	Din Rail	
9	M412688	Hex Nut	2 required
10	M412656	Ground Buss	
11	33562	Screw	4 required
12	M412477	Transformer	230 Volt
13	M412631	Terminal Block	2 circuit; 6 required
14	M412632	Terminal Block	1 circuit; 4 required
15	M412633	End Barrier	
16	M412772	Din Rail	
17	501086	Screw	4 required
18	M412534	Relay	2 required
19	M412187	Base Mounting Switch	20 Amp
20	M412366	Finger Guard	20 Amp
21	M412370	Extension Handle	20 Amp; With screws

Contactor Box Assembly

EU Gas and Steam Models
 230 Volt/ 50 Hertz/ 1 Phase - RT



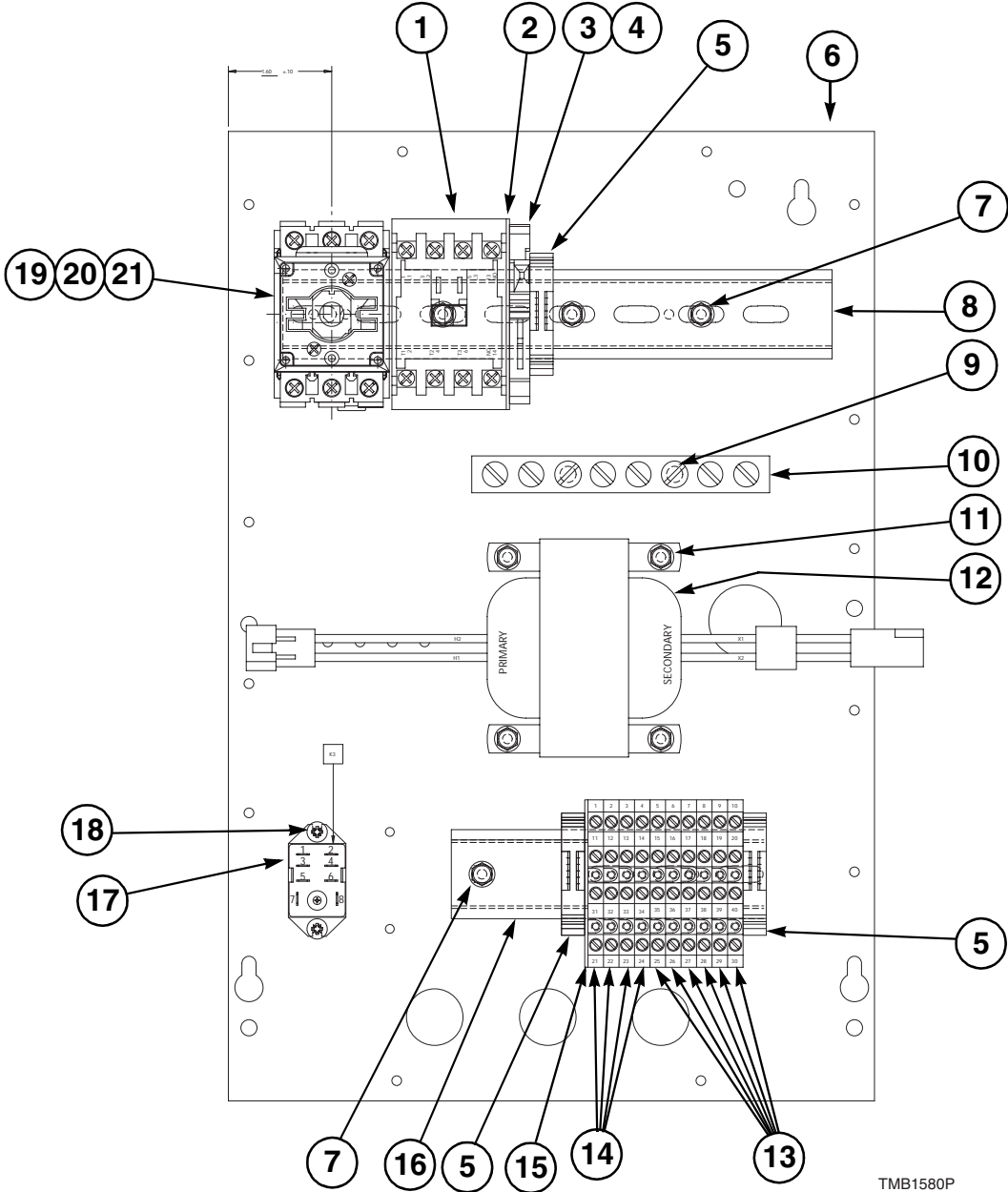
Contactor Box Assembly

EU Gas and Steam Models
230 Volt/ 50 Hertz/ 1 Phase - RT

REF	PART #	DESCRIPTION	COMMENTS
	M412636	Relay Harness	Gas models
	M412641	Transformer Harness	Secondary
	M412642	Transformer Harness	Primary; 240 Volt
	M412644	Jumper Harness	240 Volt/1 Phase; Junction box
	M412707	Relay Harness	Steam models
	M412926	Reversing Contactor Jumper	1 Phase; Upper
	M412927	Reversing Contactor Jumper	1 Phase; Lower
	M412930	Reversing Timer Harness	Junction box
1	M412404	Contactor Motor	9 Amp
2	M412405	Reversing Contactor	
3	M412648	Junction Box	Bottom
4	51780	Screw	6 required
5	M412689	Din Rail	
6	M412688	Hex Nut	2 required
7	M412656	Ground Buss	
8	33562	Screw	4 required
9	M412477	Transformer	230 Volt
10	70121001	End Stop	230 Volt; 4 required
11	M412631	Terminal Block	2 circuit; 6 required
12	M412632	Terminal Block	1 circuit; 5 required
13	M412633	End Barrier	2 required
14	M412772	Din Rail	
15	501086	Screw	2 required for steam models 4 required for gas models
16	M412534	Relay	1 required for steam models; 2 required for gas models
17	M412771	Din Rail	
18	M412537	Fuse Holder	230 Volt primary
19	502593	Fuse	250 Volt
20	M412540	End Section	
21	M412187	Base Mounting Switch	20 Amp
22	M412366	Finger Guard	20 Amp
23	M412370	Extension Handle	20 Amp

Contactor Box Assembly

EU Gas Models
230 Volt/ 50 Hertz/ 1 Phase - CD



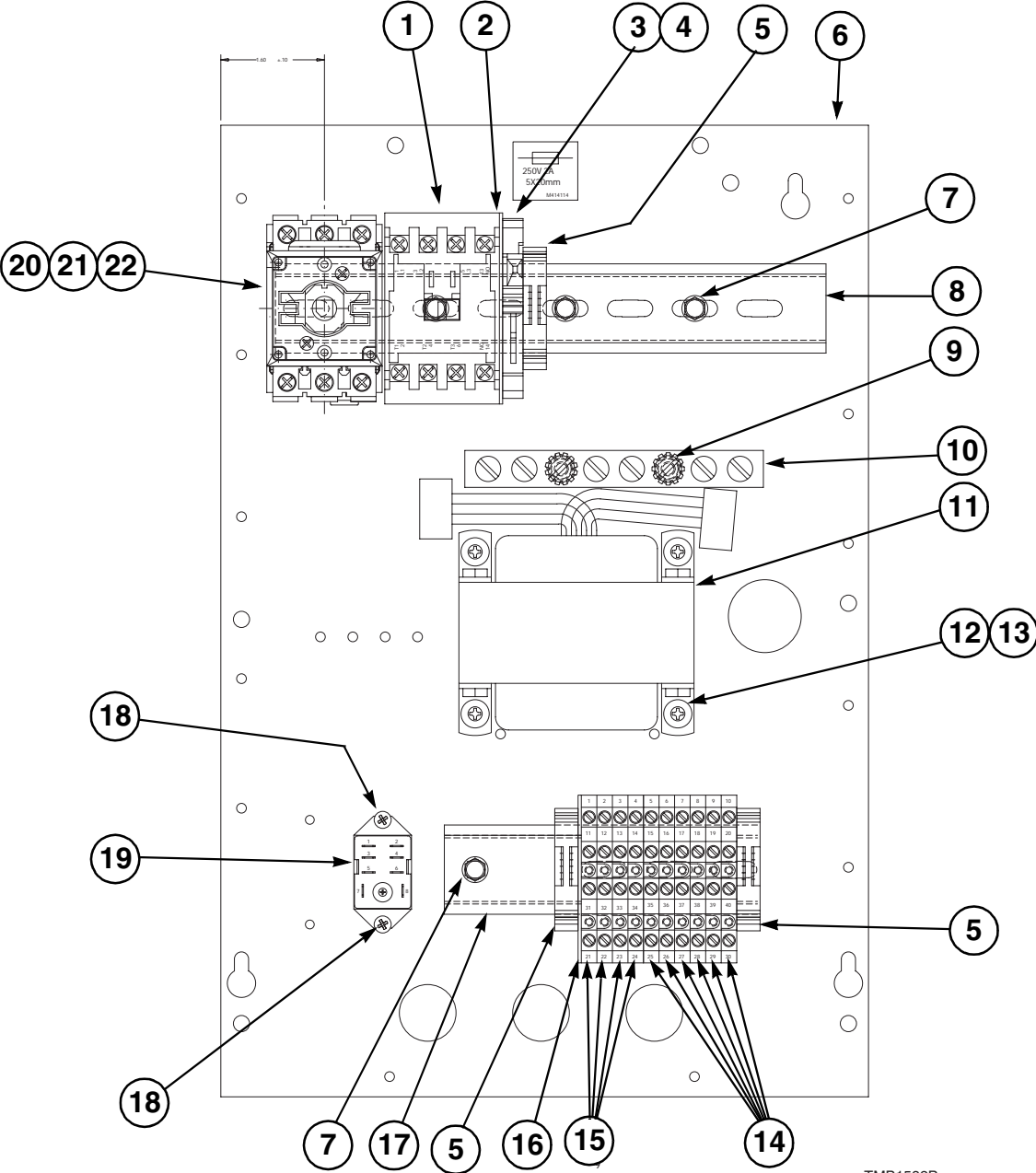
Contactor Box Assembly

EU Gas Models
230 Volt/ 50 Hertz/ 1 Phase - CD

REF	PART #	DESCRIPTION	COMMENTS
	M412639	Relay Harness	K2, K3; 4 required
	M412641	Transformer Harness	Secondary
	M412642	Transformer Harness	Primary; 240 Volt
	M412644	Harness Jumper Assembly	240 Volt; Junction box
1	M412404	Motor Contactor	9 Amp
2	M412540	End Section	
3	M412537	Fuse Holder	230 Volt; Primary
4	502593	Fuse	
5	70121001	End Stop	230 Volt; 3 required
6	M412648	Junction Box	Bottom
7	51780	Screw	5 required
8	M412689	Din Rail	
9	M412688	Hex Nut	2 required
10	M412656	Ground Buss	
11	33562	Screw	
12	M412477	Transformer	230 Volt
13	M412631	Terminal Block	2 circuit; 6 required
14	M412632	Terminal Block	1 circuit; 4 required
15	M412633	End Barrier	
16	M412772	Din Rail	
17	M412534	Relay	
18	501086	Screw	2 required
19	M412187	Base Mounting Switch	20 Amp
20	M412366	Finger Guard	20 Amp
21	M412370	Extension Handle	20 Amp

Contactor Box Assembly

EU Gas and Steam Models
 230 Volt/ 50 Hertz/ 1 Phase - NMC*, OM



TMB1582P

* NMC = NC, NR, NX, NY, ZC, ZR, ZX and ZY

Contactor Box Assembly

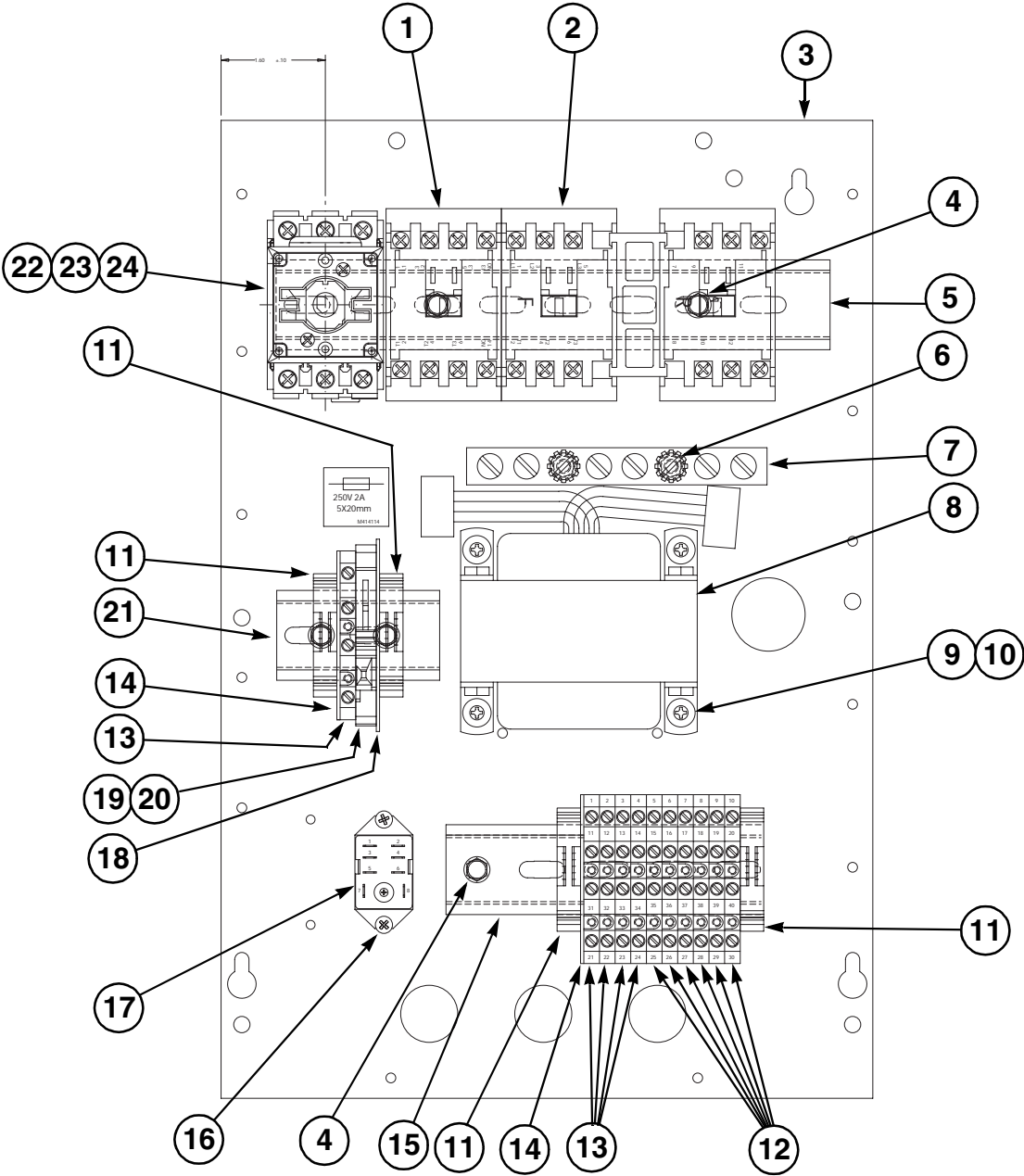
EU Gas and Steam Models
230 Volt/ 50 Hertz/ 1 Phase - NMC*, OM

REF	PART #	DESCRIPTION	COMMENTS
	M413507	Jumper Configuration Assembly	240 Volt; Gas OM models; Steam NMC and OM models
	M413863	Capacitor Network Assembly	Gas OM models; Steam NMC and OM models
	M414224	Harness Relay Assembly	Gas OM models
	M414032	Harness Relay Assembly	Steam NMC and OM models
	M414076	Harness Transformer Assembly	Primary; 1 Phase; OM models
	M414029	Harness Transformer Assembly	Secondary; OM models
	M412644	Harness Jumper Assembly	Junction box
	44010701	Harness Relay Assembly	Gas NMC models
	M412644	Harness Jumper Assembly	Junction box; Gas NMC models
1	M412404	Motor Contactor	9 Amp
2	M412540	End Section	
3	M412537	Fuse Holder	230 Volt; Primary
4	M413867	Fuse	2 Amp/250 Volt
5	70121001	End Stop	230 Volt; 3 required
6	M412648	Junction Box	Bottom
7	51780	Screw	5 required
8	M412689	Din Rail	
9	M412688	Hex Nut	2 required
10	M412656	Ground Buss	
11	M414228	Multitap Transformer	100-240
12	M400044	Screw	4 required
13	23951	Keps Nut	4 required
14	M412631	Terminal Block	2 circuit; 6 required
15	M412632	Terminal Block	1 circuit; 4 required
16	M412633	End Barrier	
17	M412772	Din Rail	
18	M400071	Screw	2 required; Gas OM models
19	M412534	Relay	24 Volt; Gas OM models
20	M412187	Base Mounting Switch	20 Amp
21	M412366	Finger Guard	20 Amp
22	M412370	Extension Handle	20 Amp

* NMC = NC, NR, NX, NY, ZC, ZR, ZX and ZY

Contactor Box Assembly

EU Gas and Steam Models
230 Volt/ 50 Hertz/ 1 Phase - RM



TMB1584P

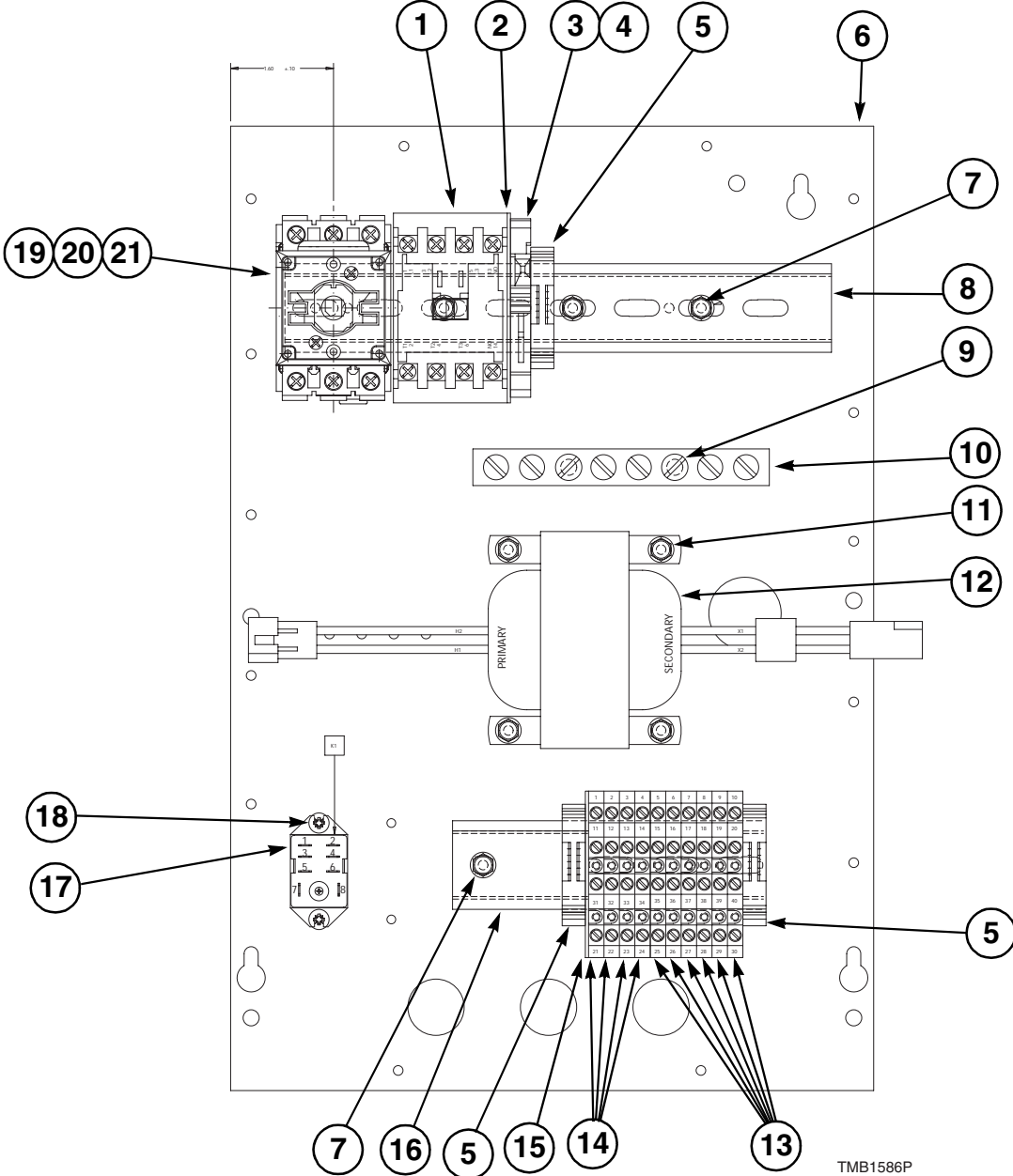
Contactor Box Assembly

EU Gas and Steam Models
230 Volt/ 50 Hertz/ 1 Phase - RM

REF	PART #	DESCRIPTION	COMMENTS
	M414224	Harness Relay Assembly	Gas models
	M414032	Harness Relay Assembly	Steam models
	M414076	Harness Transformer Assembly	Primary; 1 Phase;
	M414029	Harness Transformer Assembly	Secondary
	M412644	Jumper Harness	240 Volt/1 Phase; Junction box
	M413507	Jumper Configuration Assembly	240 Volt
	M412926	Reversing Contactor Jumper	1 Phase; Upper
	M412927	Reversing Contactor Jumper	1 Phase; Lower
	M413863	Capacitor Network Assembly	
	M414034	Harness Assembly	
1	M412404	Contactor Motor	9 Amp
2	M412405	Reversing Contactor	
3	M412648	Junction Box	Bottom
4	51780	Screw	6 required
5	M412689	Din Rail	
6	M412688	Hex Nut	2 required
7	M412656	Ground Buss	
8	M414228	Multitap Transformer	100-240
9	M400044	Screw	4 required
10	23951	Keps Nut	4 required
11	70121001	End Stop	230 Volt; 4 required
12	M412631	Terminal Block	2 circuit; 6 required
13	M412632	Terminal Block	1 circuit; 5 required
14	M412633	End Barrier	2 required
15	M412772	Din Rail	
16	M400071	Screw	2 required; Gas models
17	M412534	Relay	24 Volt; Gas models
18	M412540	End Section	
19	M412537	Fuse Holder	230 Volt; Primary
20	M413867	Fuse	2 Amp; 250 Volt
21	M412771	Din Rail	
22	M412187	Base Mounting Switch	20 Amp
23	M412366	Finger Guard	20 Amp
24	M412370	Extension Handle	20 Amp

Contactor Box Assembly

Steam Models
230 Volt/ 50 Hertz/ 1 Phase - MT



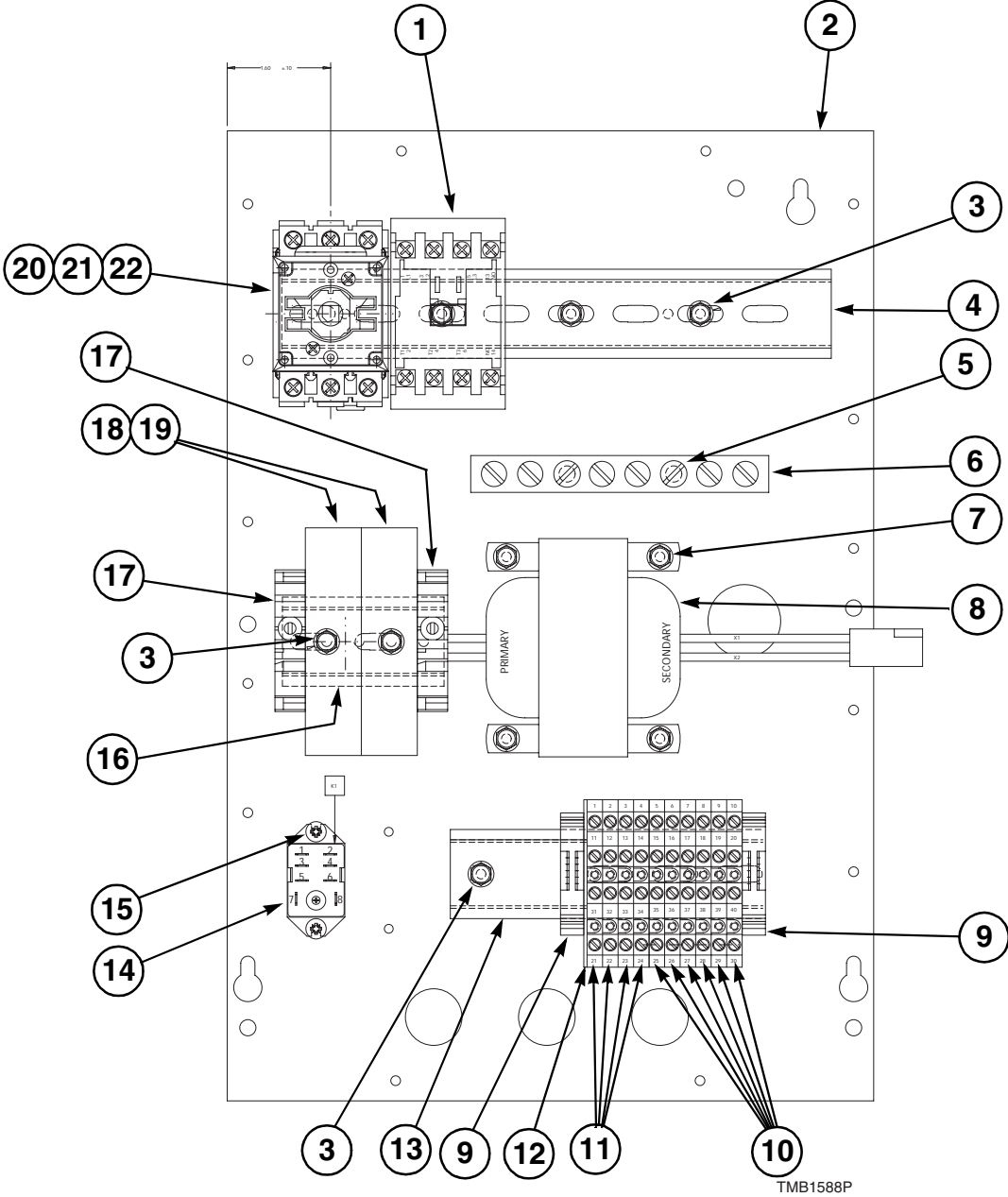
Contactor Box Assembly

Steam Models
230 Volt/ 50 Hertz/ 1 Phase - MT

REF	PART #	DESCRIPTION	COMMENTS
	M412707	Relay Harness	K1, K2
	M412641	Transformer Harness	Secondary
	M412642	Harness Assembly	Primary; 240 Volt
	M412644	Harness Jumper Assembly	240 Volt; Junction box
1	M412404	Motor Contactor	9 Amp
2	M412540	End Section	
3	M412537	Fuse Holder	230 Volt; Primary
4	502593	Fuse	
5	70121001	End Stop	230 Volt; 3 required
6	M412648	Junction Box	Bottom
7	51780	Screw	5 required
8	M412689	Din Rail	
9	M412688	Hex Nut	2 required
10	M412656	Ground Buss	
11	33562	Screw	4 required
12	M412477	Transformer	230 Volt
13	M412631	Terminal Block	2 circuit; 6 required
14	M412632	Terminal Block	1 circuit; 4 required
15	M412633	End Barrier	
16	M412772	Din Rail	
17	M412534	Relay	24 Volt
18	501086	Screw	2 required
19	M412187	Base Mounting Switch	20 Amp
20	M412366	Finger Guard	20 Amp
21	M412370	Extension Handle	20 Amp

Contactor Box Assembly

Steam Models
 380/400-415 Volt/ 50 Hertz/ 3 Phase - MT



TMB1588P

Contactor Box Assembly

Steam Models

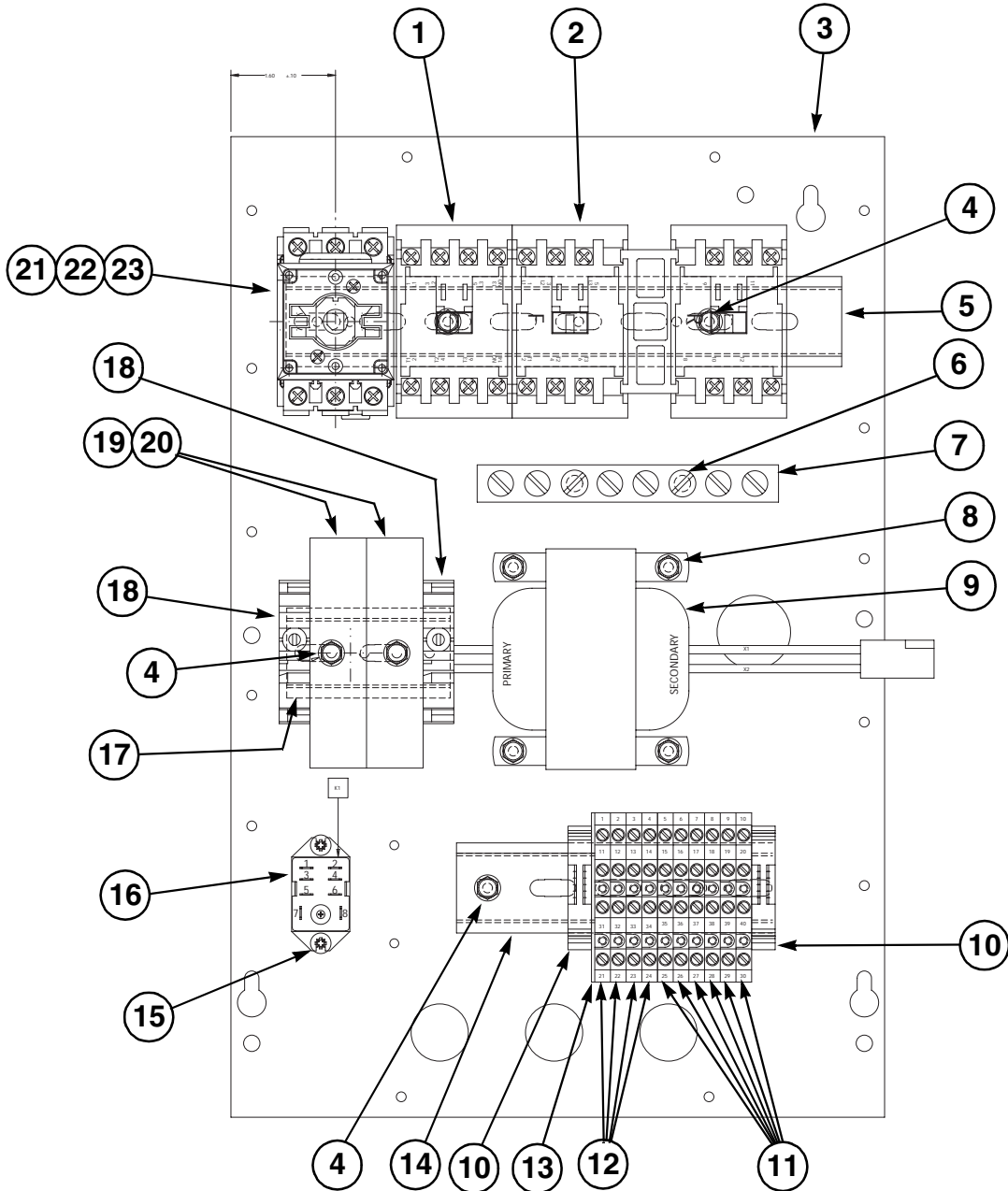
380/400-415 Volt/ 50 Hertz/ 3 Phase - MT

REF	PART #	DESCRIPTION	COMMENTS
	M412641	Transformer Harness	Secondary
	M412778	Harness Jumper Assembly	Junction box
	M412707	Relay Harness	K1,K2
1	M412404	Motor Contactor	9 Amp
2	M412648	Junction Box	Bottom
3	51780	Screw	7 required
4	M412689	Din Rail	
5	M412688	Hex Nut	2 required
6	M412656	Ground Buss	
7	33562	Screw	4 required
8	M412412	Transformer	400 Volt
9	70121001	End Stop	230 Volt; 2 required
10	M412631	Terminal Block	2 circuit; 6 required
11	M412632	Terminal Block	1 circuit; 4 required
12	M412633	End Barrier	
13	M412772	Din Rail	
14	M412534	Relay	24 Volt
15	501086	Screw	2 required
16	M412771	Din Rail	
17	M412615	End Stop	2 required
18	M412538	Fuse Holder	400 Volt; Primary; 2 required
19	M412996	Fuse	2 required
20	M412187	Base Mounting Switch	20 Amp
21	M412366	Finger Guard	20 Amp
22	M412370	Extension Handle	20 Amp

Contactor Box Assembly

Steam Models

380/400-415 Volt/ 50 Hertz/ 3 Phase - RT



TMB1590P

Contactor Box Assembly

Steam Models

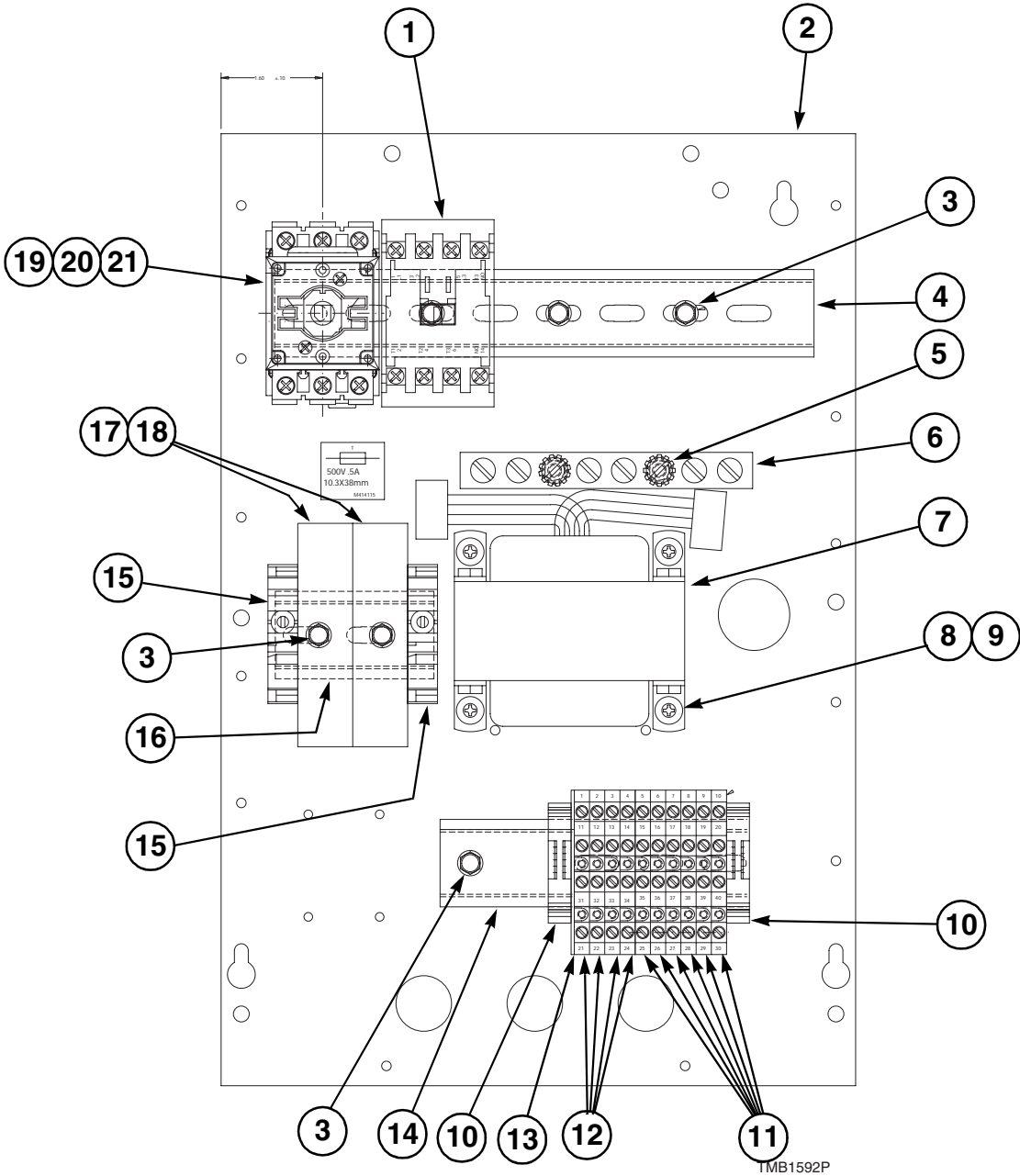
380/400-415 Volt/ 50 Hertz/ 3 Phase - RT

REF	PART #	DESCRIPTION	COMMENTS
	M412641	Transformer Harness	Secondary
	M412707	Relay Harness	K1, K2
	M412778	Harness Jumper Assembly	Junction box
	M412928	Reversing Contactor Jumper	3 Phase; Upper; 2 required
	M412929	Reversing Contactor Jumper	3 Phase; Lower
	M412930	Reversing Timer Harness	Junction box
1	M412404	Contactor Motor	9 Amp
2	M412405	Reversing Contactor	
3	M412648	Junction Box	Bottom
4	51780	Screw	6 required
5	M412689	Din Rail	
6	M412688	Hex Nut	2 required
7	M412656	Ground Buss	
8	33562	Screw	4 required
9	M412412	Transformer	400 Volt
10	70121001	End Stop	230 Volt; 2 required
11	M412631	Terminal Block	2 circuit; 6 required
12	M412632	Terminal Block	1 circuit; 4 required
13	M412633	End Barrier	
14	M412772	Din Rail	
15	501086	Screw	2 required
16	M412534	Relay	24 Volt
17	M412771	Din Rail	
18	M412615	End Stop	2 required
19	M412538	Terminal Fuse Holder Block	2 required
20	M412996	Fuse	2 required
21	M412187	Base Mounting Switch	20 Amp
22	M412366	Finger Guard	20 Amp
23	M412370	Extension Handle	20 Amp

Contactor Box Assembly

Steam Models

380/400-415 Volt/ 50 Hertz/ 3 Phase - OM



Contactor Box Assembly

Steam Models

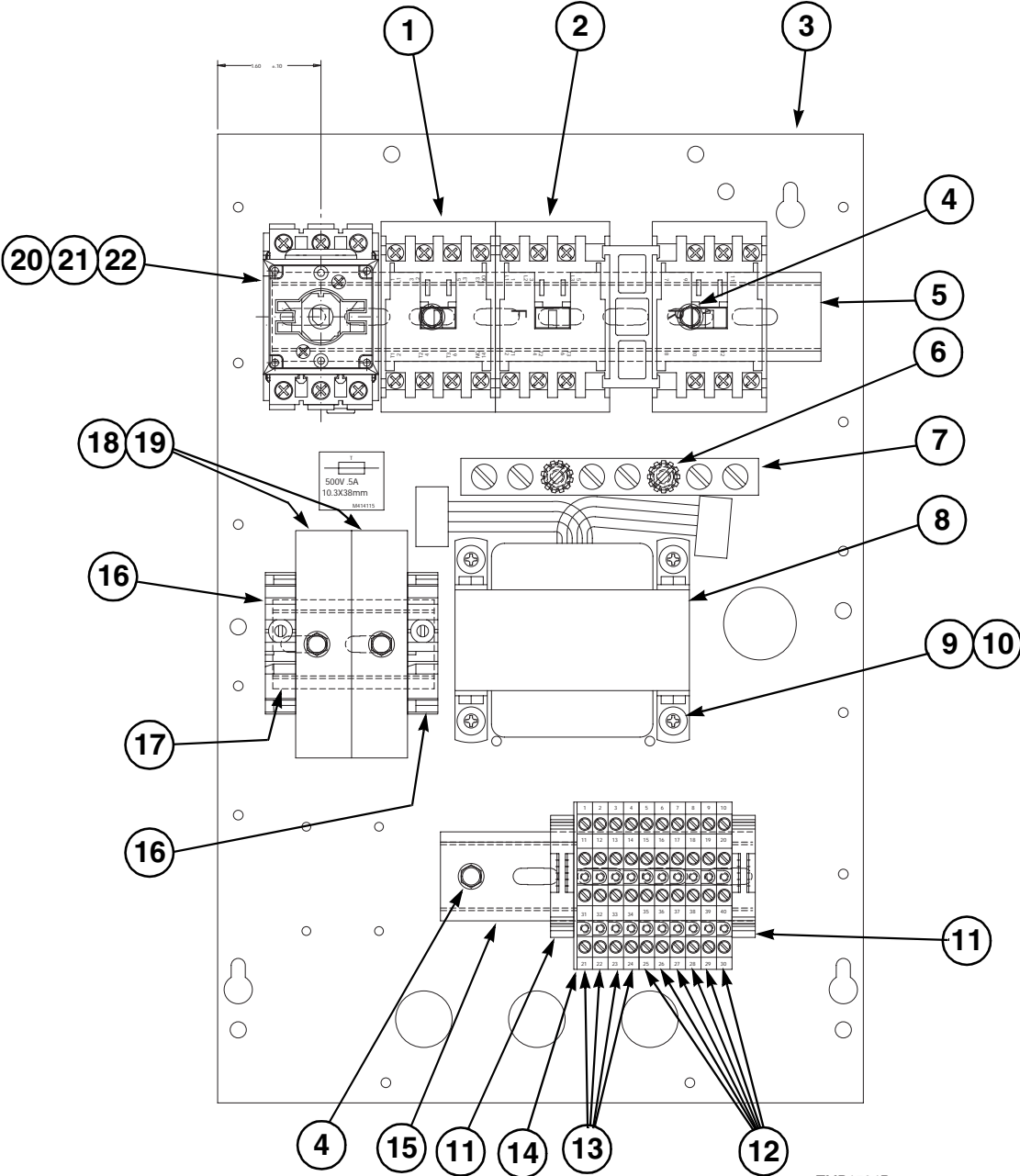
380/400-415 Volt/ 50 Hertz/ 3 Phase - OM

REF	PART #	DESCRIPTION	COMMENTS
	M413863	Capacitor Network Assembly	
	M413508	Jumper Configuration Assembly	380 Volt
	M414032	Harness Relay Assembly	
	M414028	Harness Transformer Assembly	Primary
	M414029	Harness Transformer Assembly	Secondary
	M414077	Harness Jump Assembly	Junction box
1	M412404	Motor Contactor	9 Amp
2	M412648	Junction Box	Bottom
3	51780	Screw	7 required
4	M412689	Din Rail	
5	M412688	Hex Nut	2 required
6	M412656	Ground Buss	
7	M414229	Multitap Transformer	
8	M400044	Screw	4 required
9	23951	Keps Nut	4 required
10	70121001	End Stop	230 Volt; 2 required
11	M412631	Terminal Block	2 circuit; 6 required
12	M412632	Terminal Block	1 circuit; 4 required
13	M412633	End Barrier	
14	M412772	Din Rail	
15	M412615	End Stop	2 required
16	M412771	Din Rail	
17	M412538	Fuse Holder	400 Volt; Primary; 2 required
18	M413621	Fuse	600 Volt; 2 required; .5 Amp
19	M412187	Base Mounting Switch	20 Amp
20	M412366	Finger Guard	20 Amp
21	M412370	Extension Handle	20 Amp

Contactor Box Assembly

Steam Models

380/400-415 Volt/ 50 Hertz/ 3 Phase - RM



TMB1594P

Contactor Box Assembly

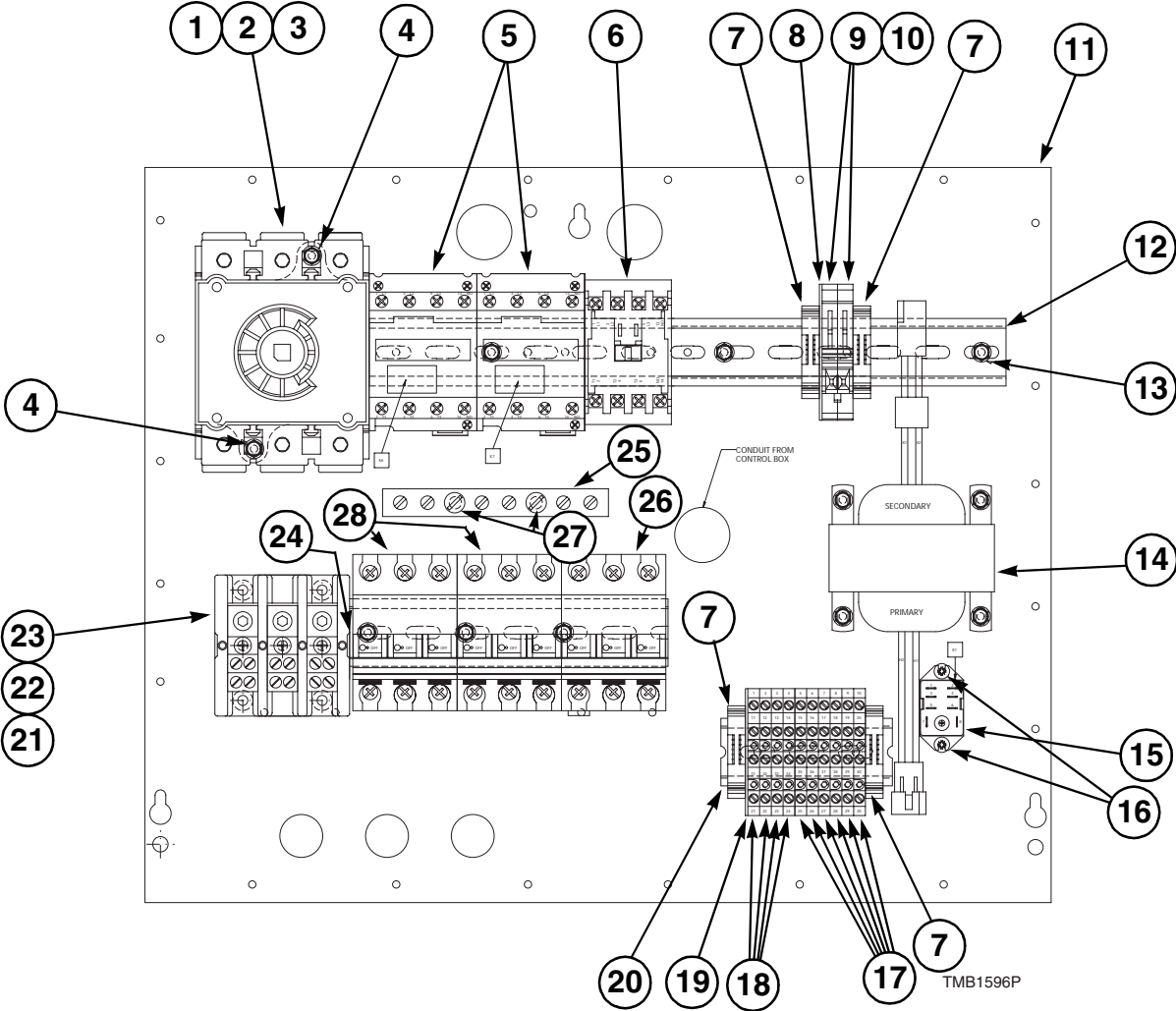
Steam Models

380/400-415 Volt/ 50 Hertz/ 3 Phase - RM

REF	PART #	DESCRIPTION	COMMENTS
	M414032	Harness Relay Assembly	
	M414028	Harness Transformer Assembly	Primary
	M414029	Harness Transformer Assembly	Secondary
	M414077	Harness Jump Assembly	Junction box
	M412928	Reversing Contactor Jumper	Upper; 2 required
	M412929	Reversing Contactor Jumper	Lower
	M414034	Harness Assembly	Reversing contactor
	M413508	Jumper Configuration Assembly	380 Volt
	M413863	Capacitor Network Assembly	
1	M412404	Contactor Motor	9 Amp
2	M412405	Reversing Contactor	
3	M412648	Junction Box	Bottom
4	51780	Screw	6 required
5	M412689	Din Rail	
6	M412688	Hex Nut	2 required
7	M412656	Ground Buss	
8	M414229	Multitap Transformer	
9	M400044	Screw	4 required
10	23951	Keps Nut	4 required
11	70121001	End Stop	230 Volt; 2 required
12	M412631	Terminal Block	2 circuit; 6 required
13	M412632	Terminal Block	1 circuit; 4 required
14	M412633	End Barrier	
15	M412772	Din Rail	
16	M412615	End Stop	2 required
17	M412771	Din Rail	
18	M412538	Terminal Fuse Holder Block	2 required
19	M413621	Fuse	600 Volt; .5 Amp; 2 required
20	M412187	Base Mounting Switch	20 Amp
21	M412366	Finger Guard	20 Amp
22	M412370	Extension Handle	20 Amp

Contactor Box Assembly

Electric Models
230 Volt/ 50 Hertz/ 3 Phase - CD, MT



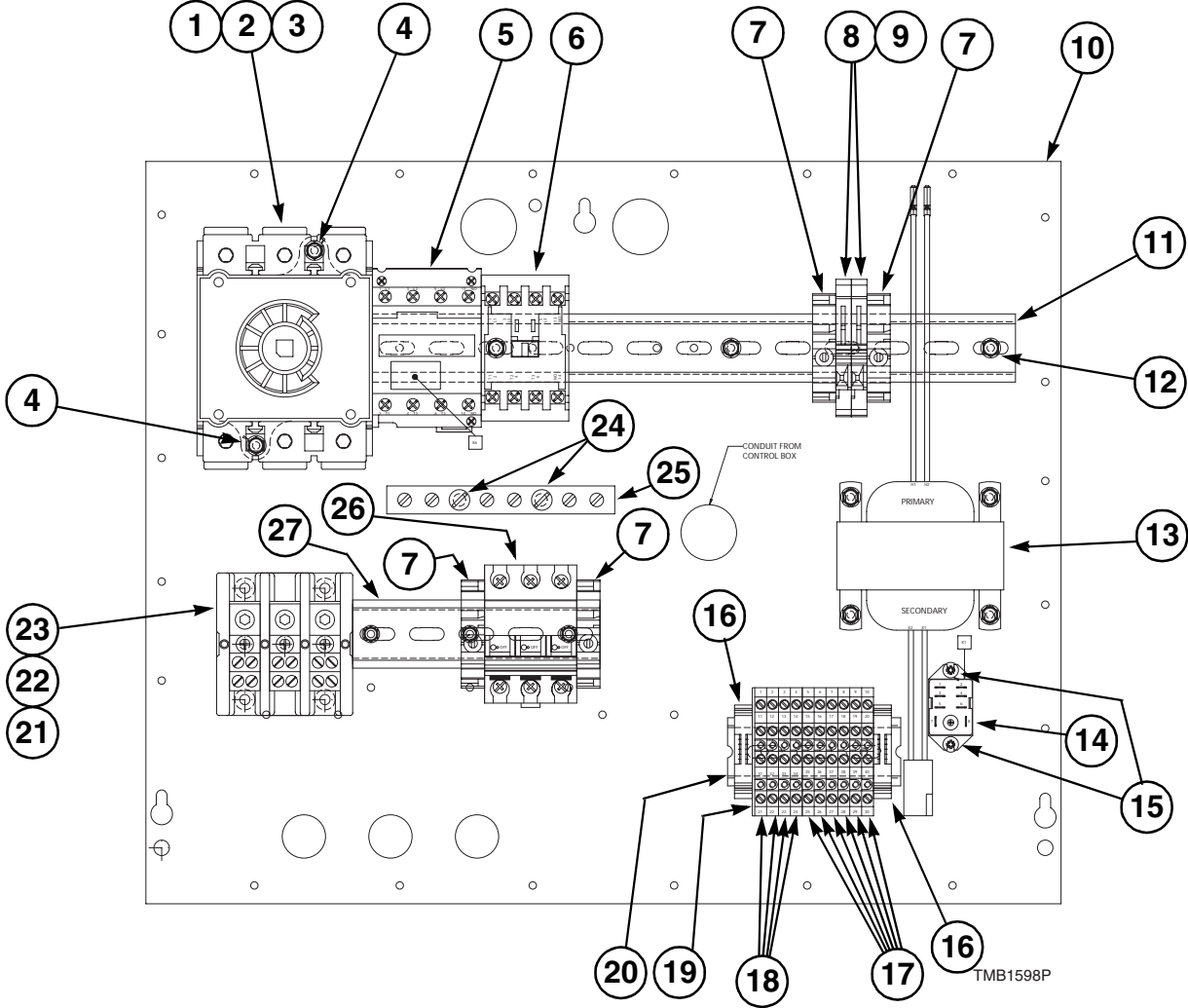
Contactor Box Assembly

Electric Models
230 Volt/ 50 Hertz/ 3 Phase - CD, MT

REF	PART #	DESCRIPTION	COMMENTS
	M412776	Relay Harness	MT models
	M412777	Relay Harness	CD models
	M412641	Transformer Harness	Secondary
	M412642	Transformer Harness	Primary
	M412871	Jumper Wire	240 Volt; 3 Phase; Contactor box
	M412740	Jumper Cable	6 required
	44014501	Wire	3 required
	44014601	Wire	3 required
	44014701	Wire	3 required
	M413934	Wire	3 required
1	M412186	Base Mounting Switch	100 Amp
2	M412367	Finger Guard	100 Amp
3	M412371	Extension Handle	100 Amp
4	33562	Screw	6 required
5	M412403	Electric Contactor	50 Amp; 2 required
6	M412404	Motor Contactor	9 Amp
7	70121001	End Stop	230 Volt; 4 required
8	M412540	End Section	230 Volt
9	M412537	Fuseholder	230 Volt; Primary; 2 required
10	502593	Fuse	250 Volt; 2 required
11	M412267	Contactor Box	Bottom
12	M412691	Din Rail	13.0 inch
13	51780	Screw	9 required
14	M412477	Transformer	240 Volt
15	M412534	Relay	MT models
16	501086	Screw	2 required; MT models
17	M412631	Terminal Block	2 circuit; 6 required
18	M412632	Terminal Block	1 circuit; 4 required
19	M412633	End Barrier	
20	M412692	Din Rail	3.5 inch
21	32671	Screw	4 required
22	M413865	Power Distribution Block	3 pole
23	44014901	Power Distribution Block Cover	
24	M412693	Din Rail	6.5 inch
25	M412656	Ground Buss	
26	M412407	Circuit Breaker	3 pole 8 Amp
27	M412688	Hex Nut	2 required
28	M412408	Circuit Breaker	3 pole; 50 Amp; 2 required

Contactor Box Assembly

Electric Models
380 Volt/ 50 Hertz/ 3 Phase - CD, MT



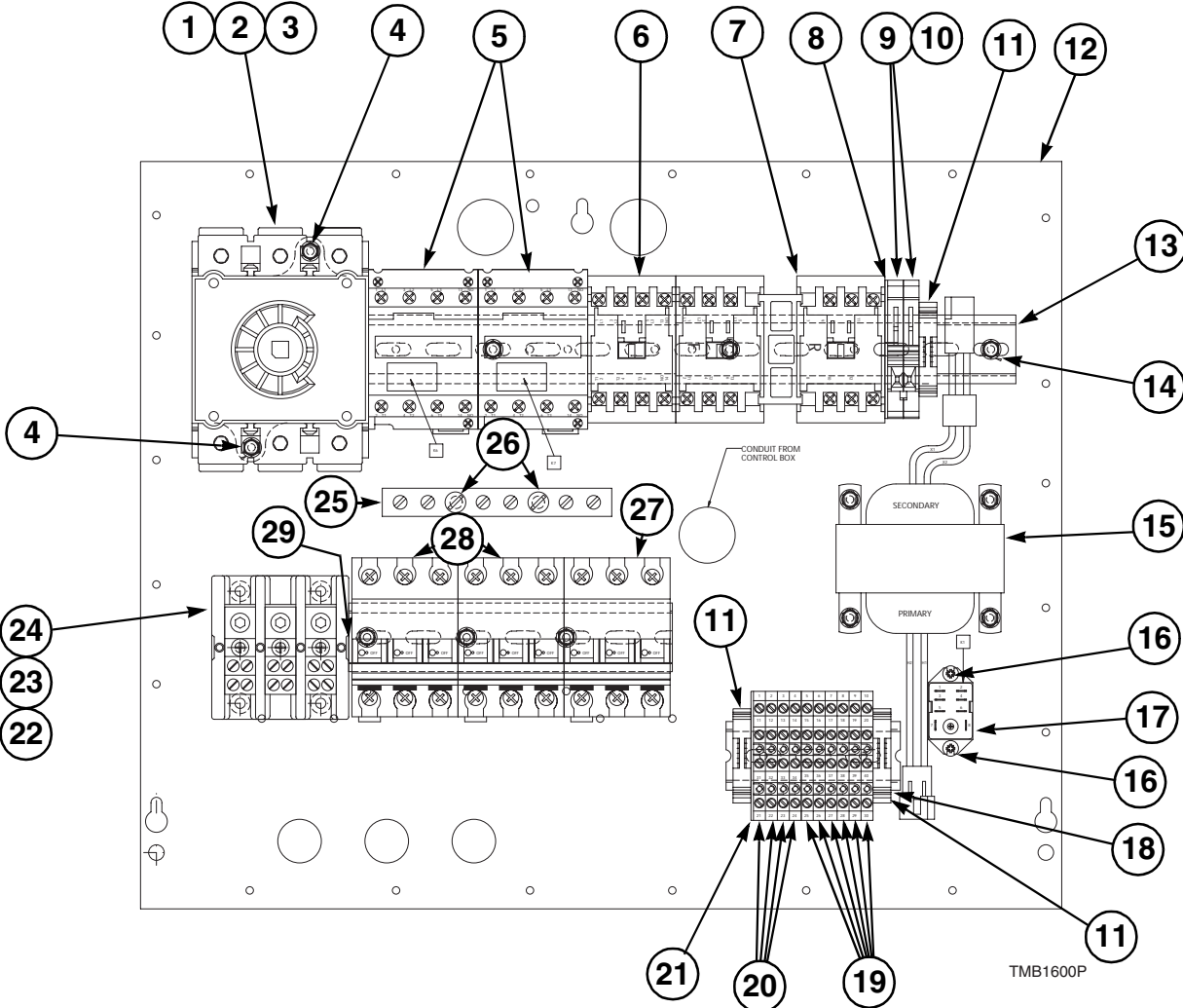
Contactor Box Assembly

Electric Models
380 Volt/ 50 Hertz/ 3 Phase - CD, MT

REF	PART #	DESCRIPTION	COMMENTS
	M412766	Relay Harness	MT models
	M412775	Relay Harness	CD models
	M412641	Transformer Harness	Secondary
	M412803	Jumper Wire	400 Volt; 3 Phase; Contactor box
	M414121	Jumper Cable	3 required
	44014501	Wire	3 required
	44014801	Wire	3 required
	M413934	Wire	3 required
1	M412186	Base Mounting Switch	100 Amp
2	M412367	Finger Guard	100 Amp
3	M412371	Extension Handle	100 Amp
4	33562	Screw	6 required
5	M412403	Electric Contactor	50 Amp
6	M412404	Motor Contactor	9 Amp
7	M412615	End Stop	400 Volt; 6 required
8	M412538	Fuseholder	400 Volt; Primary; 2 required
9	M412996	Fuse	2 required
10	M412267	Contactor Box	Bottom
11	M412691	Din Rail	13.0 inch
12	51780	Screw	9 required
13	M412412	Transformer	400 Volt
14	M412534	Relay	MT models
15	501086	Screw	2 required; MT models
16	70121001	End Stop	230 Volt; 2 required
17	M412631	Terminal Block	2 circuit; 6 required
18	M412632	Terminal Block	1 circuit; 4 required
19	M412633	End Barrier	
20	M412692	Din Rail	3.5 inch
21	32671	Screw	4 required
22	44014901	Power Distribution Block Cover	
23	M413865	Power Distribution Block	3 pole
24	M412688	Hex Nut	2 required
25	M412656	Ground Buss	
26	M412407	Circuit Breaker	3 pole; 8 Amp
27	M412690	Din Rail	5.0 inch

Contactor Box Assembly

Electric Models
 230 Volt/ 50 Hertz/ 3 Phase - RT



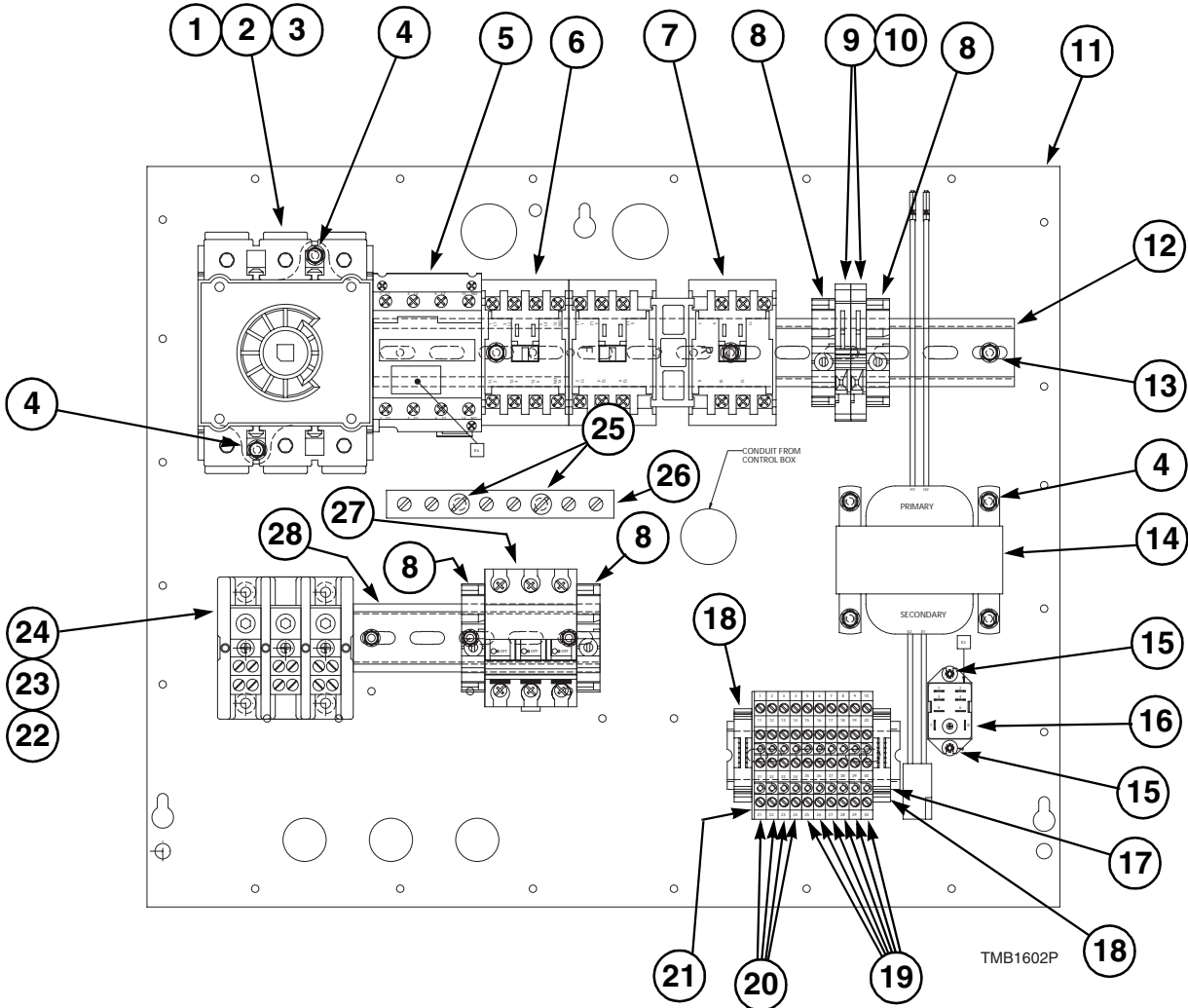
Contactor Box Assembly

Electric Models
230 Volt/ 50 Hertz/ 3 Phase - RT

REF	PART #	DESCRIPTION	COMMENTS
	M412776	Relay Harness	
	M412641	Transformer Harness	Secondary
	M412642	Transformer Harness	Primary
	M412871	Jumper Wire	240 Volt; 3 Phase; Contactor box
	M412740	Jumper Cable	8 gauge; 6 required
	M412932	Reversing Timer Harness	Contactor box
	M412928	Reversing Contactor Jumper	3 Phase; Upper; 2 required
	M412929	Reversing Contactor Jumper	3 Phase; Lower
	44014501	Wire	3 required
	44014601	Wire	3 required
	44014701	Wire	3 required
	M413934	Wire	3 required
1	M412186	Base Mounting Switch	100 Amp
2	M412367	Finger Guard	100 Amp
3	M412371	Extension Handle	100 Amp
4	33562	Screw	6 required
5	M412403	Electric Contactor	50 Amp; 2 required
6	M412404	Motor Contactor	9 Amp
7	M412405	Reversing Contactor	
8	M412540	End Section	230 Volt
9	M412537	Fuseholder	230 Volt; Primary; 2 required
10	502593	Fuse	250 Volt; 2 required
11	70121001	End Stop	230 Volt; 3 required
12	M412267	Contactor Box	Bottom
13	M412691	Din Rail	13.0 inch
14	51780	Screw	12 required
15	M412477	Transformer	240 Volt
16	501086	Screw	2 required
17	M412534	Relay	24 Volt
18	M412692	Din Rail	3.5 inch
19	M412631	Terminal Block	2 circuit; 6 required
20	M412632	Terminal Block	1 circuit; 4 required
21	M412633	End Barrier	
22	32671	Screw	4 required
23	44014901	Power Distribution Block Cover	
24	M413865	Power Distribution Block	3 pole
25	M412656	Ground Buss	
26	M412688	Hex Nut	2 required
27	M412407	Circuit Breaker	3 pole; 8 Amp
28	M412408	Circuit Breaker	3 pole; 50 Amp; 2 required
29	M412690	Din Rail	6.5 inch

Contactor Box Assembly

Electric Models
380 Volt/ 50 Hertz/ 3 Phase - RT



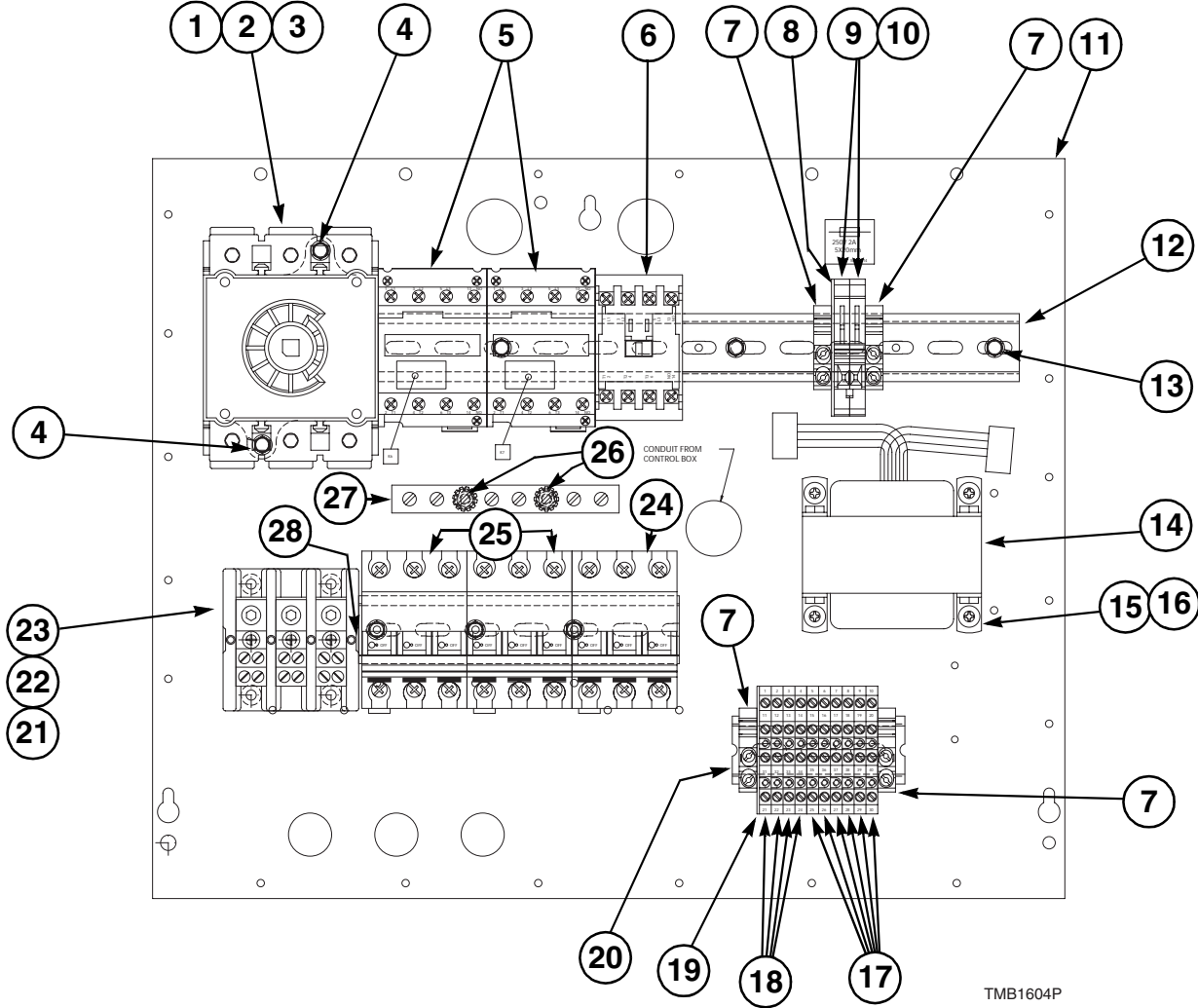
Contactor Box Assembly

Electric Models
380 Volt/ 50 Hertz/ 3 Phase - RT

REF	PART #	DESCRIPTION	COMMENTS
	M412766	Relay Harness	
	M412641	Transformer Harness	Secondary
	M412803	Jumper Wire	400 Volt; 3 Phase; Contactor box
	M414121	Jumper Cable	8 gauge; 3 required
	M412932	Reversing Timer Harness	Contactor box
	M412928	Reversing Contactor Jumper	3 Phase; Upper; 2 required
	M412929	Reversing Contactor Jumper	3 Phase; Lower
	44014501	Wire	3 required
	44014801	Wire	3 required
	M413934	Wire	3 required
1	M412186	Base Mounting Switch	100 Amp
2	M412367	Finger Guard	100 Amp
3	M412371	Extension Handle	100 Amp
4	33562	Screw	6 required
5	M412403	Electric Contactor	50 Amp
6	M412404	Motor Contactor	9 Amp
7	M412405	Reversing Contactor	
8	M412615	End Stop	400 Volt; 4 required
9	M412538	Fuseholder	400 Volt; Primary; 2 required
10	M412996	Fuse	2 required
11	M412267	Contactor Box	Bottom
12	M412691	Din Rail	13.0 inch
13	51780	Screw	10 required
14	M412412	Transformer	400 Volt
15	501086	Screw	2 required
16	M412534	Relay	
17	M412756	Din Rail	3.5 inch
18	70121001	End Stop	230 Volt; 2 required
19	M412631	Terminal Block	2 circuit; 6 required
20	M412632	Terminal Block	1 circuit; 4 required
21	M412633	End Barrier	
22	32671	Screw	4 required
23	44014901	Power Distribution Block Cover	
24	M413865	Power Distribution Block	3 pole
25	M412688	Hex Nut	2 required
26	M412656	Ground Buss	
27	M412407	Circuit Breaker	3 pole; 8 Amp
28	M412690	Din Rail	5.0 inch

Contactor Box Assembly

EU Electric Models
 230 Volt/ 50 Hertz/ 3 Phase - NMC*, OM



* NMC = NC, NR, NX, NY, ZC, ZR, ZX and ZY

Contactor Box Assembly

EU Electric Models
230 Volt/ 50 Hertz/ 3 Phase - NMC*, OM

REF	PART #	DESCRIPTION	COMMENTS
	M413930	Ferrite Core Assembly	
	M413863	Capacitor Network Assembly	
	M413507	Jumper Configuration Assembly	240 Volt; OM models
	M414149	Harness Relay Assembly	OM models
	M414028	Harness Transformer Assembly	Primary; 3 Phase; OM models
	M414029	Harness Transformer Assembly	Secondary; OM models
	M414078	Harness Jumper Assembly	3 Phase; OM models; Contactor box
	M412740	Jumper Cable	8 gauge; 6 required
	M412871	Harness Jumper Assembly	400 Volt; NMC models; Contactor box
	44014501	Wire	3 required
	44014701	Wire	3 required
	M413934	Wire	3 required
	44014601	Wire	3 required
1	M412186	Base Mounting Switch	100 Amp
2	M412367	Finger Guard	100 Amp
3	M412371	Extension Handle	100 Amp
4	33562	Screw	2 required
5	M412403	Electric Contactor	50 Amp; 2 required
6	M412404	Motor Contactor	9 Amp
7	70121001	End Stop	230 Volt; 4 required
8	M412540	End Section	230 Volt
9	M412537	Fuseholder	230 Volt; Primary; 2 required
10	M413867	Fuse	2 Amp; 250 Volt; 2 required
11	M412267	Contactor Box	Bottom
12	M412691	Din Rail	13.0 inches
13	51780	Screw	10 required
14	M414228	Multitap Transformer	100-240
15	M400044	Screw	4 required
16	23951	Keps Nut	10-24; 4 required
17	M412631	Terminal Block	2 circuit; 6 required
18	M412632	Terminal Block	1 circuit; 4 required
19	M412633	End Barrier	
20	M412692	Din Rail	3.5 inches
21	32671	Screw	4 required
22	44014901	Power Distribution Block Cover	
23	M413865	Power Distribution Block	3 pole
24	M412407	Circuit Breaker	3 pole; 8 Amp
25	M412408	Circuit Breaker	3 pole; 50 Amp; 2 required
26	M412688	Hex Nut	2 required
27	M412656	Ground Buss	
28	M412693	Din Rail	6.5 inches

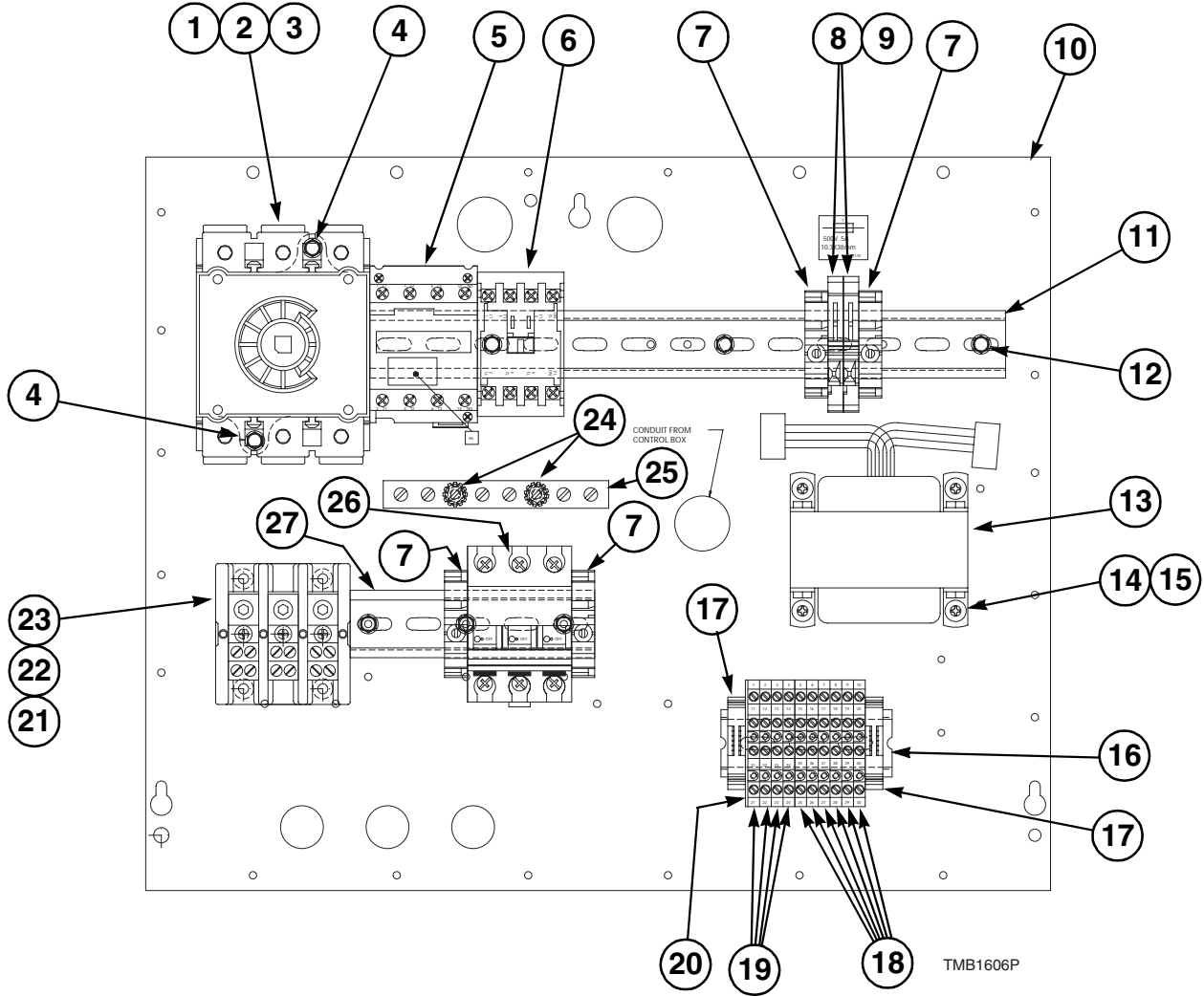
* NMC = NC, NR, NX, NY, ZC, ZR, ZX and ZY

Contactor Box Assembly

EU Electric Models

380 Volt/ 50 Hertz/ 3 Phase - NMC*, OM

415 Volt/ 50 Hertz/ 3 Phase - NMC*, OM



* NMC = NC, NR, NX, NY, ZC, ZR, ZX and ZY

Contactor Box Assembly

EU Electric Models

380 Volt/ 50 Hertz/ 3 Phase - NMC*, OM

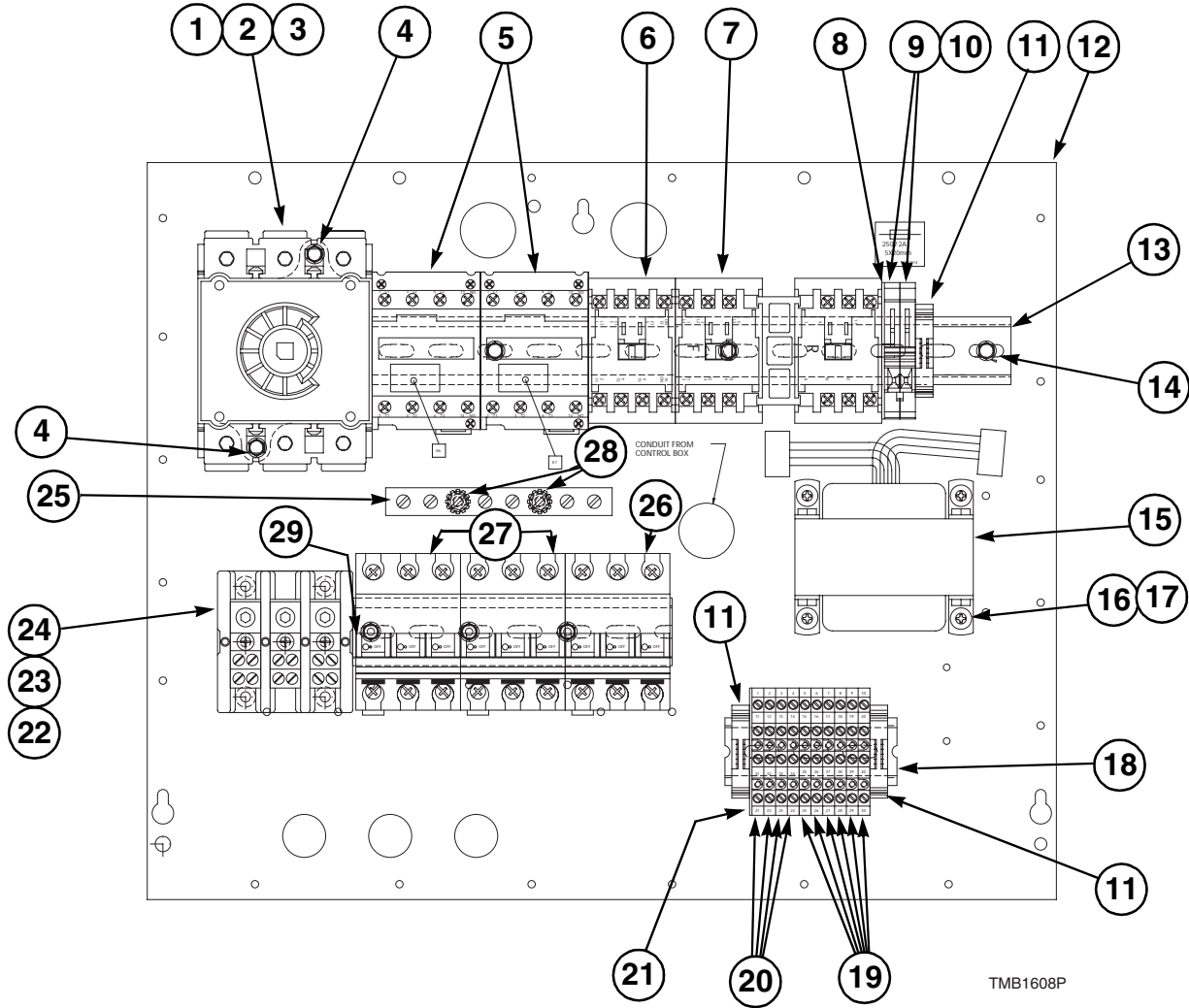
415 Volt/ 50 Hertz/ 3 Phase - NMC*, OM

REF	PART #	DESCRIPTION	COMMENTS
	M414150	Harness Relay Assembly	OM models
	M414028	Transformer Assembly	Primary; 3 Phase; OM models
	M414029	Harness Transformer Assembly	Secondary; OM models
	M414079	Harness Jumper Assembly	3 Phase; OM models
	M413863	Capacitor Network Assembly	OM models
	M413508	Jumper Configuration Assembly	Used only on 380 Volt/50 Hertz/3 Phase NMC and OM models
	M413509	Jumper Configuration Assembly	Used only on 415 Volt/50 Hertz/3 Phase NMC and OM models
	M414121	Jumper Cable	8 gauge; 3 required
	M413930	Ferrite Core	
	M412803	Harness Jumper Assembly	400 Volt; NMC models; Contactor box
	44014501	Wire	3 required
	44014801	Wire	3 required
	M413934	Wire	3 required
1	M412186	Base Mounting Switch	100 Amp
2	M412367	Finger Guard	100 Amp
3	M412371	Extension Handle	100 Amp
4	33562	Screw	2 required
5	M412403	Electric Contactor	50 Amp
6	M412404	Motor Contactor	9 Amp
7	M412615	End Stop	400 Volt; 4 required
8	M412538	Fuseholder	400 Volt; Primary; 2 required
9	M413621	Fuse	600 Volt; 2 required; .5 Amp
10	M412267	Contactor Box	Bottom
11	M412691	Din Rail	13.0 inches
12	51780	Screw	9 required
13	M414229	Multitap Transformer	380-480 Volt
14	M400044	Screw	4 required
15	23951	Keps Nut	4 required
16	M412692	Din Rail	3.5 inches
17	70121001	End Stop	230 Volt; 2 required
18	M412631	Terminal Block	2 circuit; 6 required
19	M412632	Terminal Block	1 circuit; 2 required
20	M412633	End Barrier	
21	32671	Screw	4 required
22	44014901	Power Distribution Block Cover	
23	M413865	Power Distribution Block	3 pole
24	M412688	Hex Nut	2 required
25	M412656	Ground Buss	
26	M412407	Circuit Breaker	3 pole; 8 Amp
27	M412690	Din Rail	5.0 inches

* NMC = NC, NR, NX, NY, ZC, ZR, ZX and ZY

Contactor Box Assembly

Electric Models
 230 Volt/ 50 Hertz/ 3 Phase - OM



TMB1608P

Contactor Box Assembly

Electric Models
230 Volt/ 50 Hertz/ 3 Phase - OM

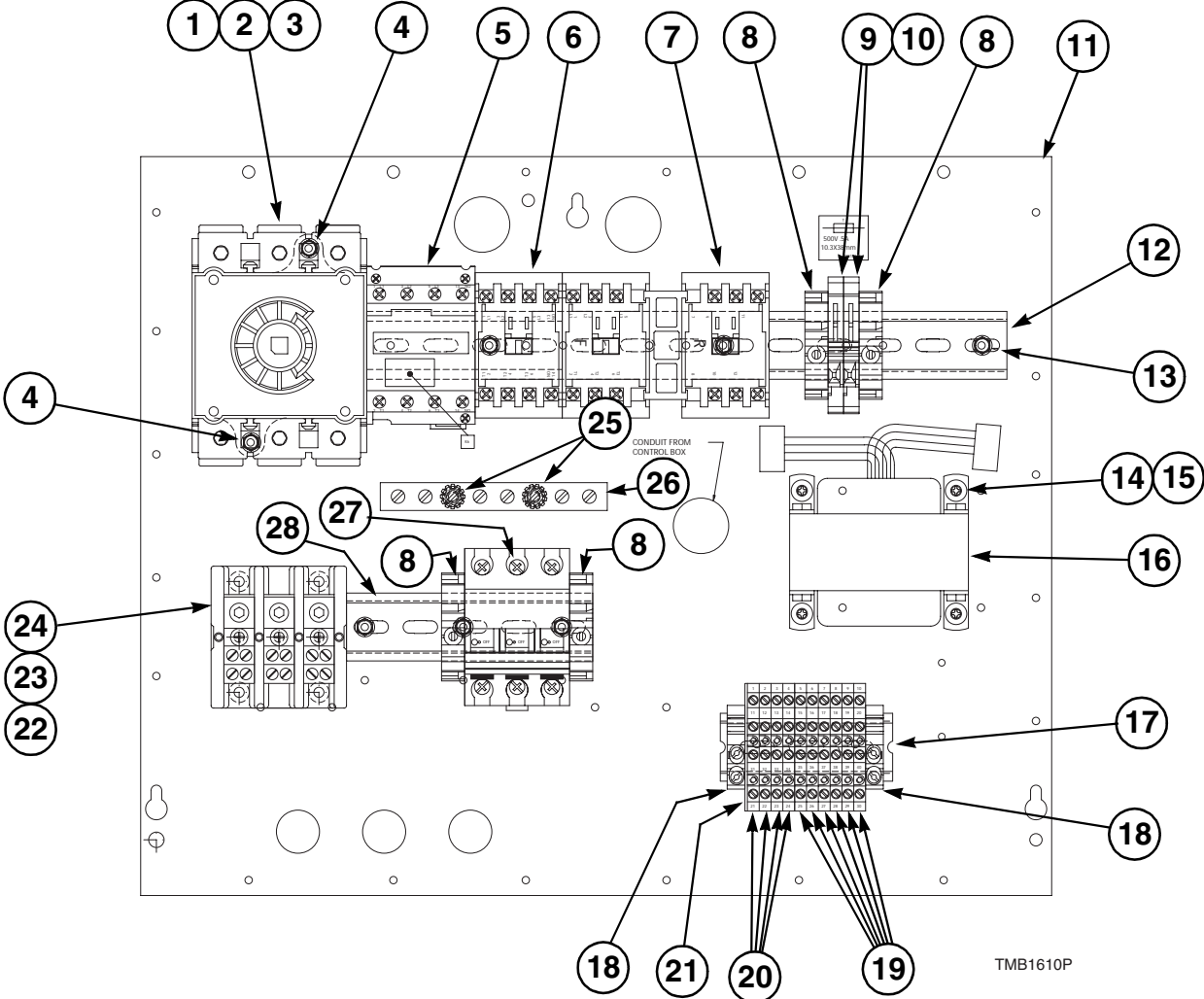
REF	PART #	DESCRIPTION	COMMENTS
	M413930	Ferrite Core	
	M413863	Capacitor Network Assembly	
	M413507	Jumper Configuration Assembly	240 Volt
	M414028	Harness Transformer Assembly	Primary; 3 Phase
	M414029	Harness Transformer Assembly	Secondary
	M412740	Jumper Cable	8 gauge; 6 required
	M414034	Reversing Contactor Harness Assembly	
	M412928	Reversing Contactor Jumper	3 Phase; Upper; 2 required
	M412929	Reversing Contactor Jumper	3 Phase; Lower
	M414149	Harness Relay Assembly	
	M414078	Harness Jumper Assembly	3 Phase; Contactor box
	44014501	Wire	3 required
	44014601	Wire	3 required
	44014701	Wire	3 required
	M413934	Wire	3 required
1	M412186	Base Mounting Switch	100 Amp
2	M412367	Finger Guard	100 Amp
3	M412371	Extension Handle	100 Amp
4	33562	Screw	2 required
5	M412403	Electric Contactor	50 Amp; 2 required
6	M412404	Motor Contactor	9 Amp
7	M412405	Reversing Contactor	
8	M412540	End Section	230 Volt
9	M412537	Fuseholder	230 Volt; Primary; 2 required
10	M413867	Fuse	2 Amp; 250 Volt; 2 required
11	70121001	End Stop	230 Volt; 3 required
12	M412267	Contactor Box	Bottom
13	M412691	Din Rail	13.0 inches
14	51780	Screw	12 required
15	M414228	Multitap Transformer	100-240
16	M400044	Screw	4 required
17	23951	Keps Nut	4 required
18	M412692	Din Rail	3.5 inches
19	M412631	Terminal Block	2 circuit; 6 required
20	M412632	Terminal Block	1 circuit; 4 required
21	M412633	End Barrier	
22	32671	Screw	4 required
23	44014901	Power Distribution Block Cover	
24	M413865	Power Distribution Block	3 pole
25	M412656	Ground Buss	
26	M412407	Circuit Breaker	3 pole; 8 Amp
27	M412408	Circuit Breaker	3 pole; 50 Amp; 2 required
28	M412688	Hex Nut	2 required
29	M412690	Din Rail	6.5 inches

Contactor Box Assembly

Electric Models

380 Volt/ 50 Hertz/ 3 Phase - RM

415 Volt/ 50 Hertz/ 3 Phase - RM



Contactor Box Assembly

Electric Models

380 Volt/ 50 Hertz/ 3 Phase - RM

415 Volt/ 50 Hertz/ 3 Phase - RM

REF	PART #	DESCRIPTION	COMMENTS
	M413930	Ferrite Core	
	M413863	Capacitor Network Assembly	
	M413508	Jumper Configuration Assembly	Used only on 380 Volt/50 Hertz/3 Phase models
	M413509	Jumper Configuration Assembly	Used only on 415 Volt/50 Hertz/3 Phase models
	M414121	Jumper Cable	8 gauge; 3 required
	M414150	Harness Relay Assembly	
	M414034	Reversing Contactor Harness Assembly	
	M414028	Harness Transformer Assembly	Primary; 3 Phase
	M414029	Harness Transformer Assembly	Secondary
	M414079	Harness Jumper Assembly	3 Phase; Contactor box
	M412928	Reversing Contactor Jumper	3 Phase; Upper; 2 required
	M412929	Reversing Contactor Jumper	3 Phase; Lower
	44014501	Wire	3 required
	44014801	Wire	3 required
	M413934	Wire	3 required
1	M412186	Base Mounting Switch	100 Amp
2	M412367	Finger Guard	100 Amp
3	M412371	Extension Handle	100 Amp
4	33562	Screw	2 required
5	M412403	Electric Contactor	50 Amp
6	M412404	Motor Contactor	9 Amp
7	M412405	Reversing Contactor	
8	M412615	End Stop	400 Volt; 2 required
9	M412538	Fuseholder	400 Volt; Primary; 2 required
10	M413621	Fuse	600 Volt; .5 Amp; 2 required
11	M412267	Contactor Box	Bottom
12	M412691	Din Rail	13.0 inch
13	51780	Screw	9 required
14	M400044	Screw	4 required
15	23951	Keps Nut	4 required
16	M414229	Multitap Transformer	380-480 Volt
17	M412692	Din Rail	3.5 inch
18	70121001	End Stop	2 required
19	M412631	Terminal Block	2 circuit; 6 required
20	M412632	Terminal Block	1 circuit; 4 required
21	M412633	End Barrier	
22	M413865	Power Distribution Block	3 pole
23	44014901	Power Distribution Block Cover	
24	32671	Screw	4 required
25	M412688	Hex Nut	2 required
26	M412656	Ground Buss	
27	M412407	Circuit Breaker	3 pole; 8 Amp
28	M412690	Din Rail	5.0 inch

Motor Usage Tables

Nonreversing Tumblers

MODEL	ELECTRIC SERVICE	FAN MOTOR	
		PART NO.	HP
Gas and Steam	120 Volt/ 60 Hertz/ 1 Phase	44007201P	1/2
	200-208/240 Volt/ 60 Hertz/ 1 Phase	44007201P	1/2
	200-208-240 Volt/ 60 Hertz/ 3 Phase	M412517P	1/2
	460-480 Volt/ 60 Hertz/ 3 Phase	M412517P	1/2
	230-240 Volt/ 50 Hertz/ 1 Phase	M412514P	1/2
	200 Volt/ 50 Hertz/ 3 Phase	M412517P	1/2
	230-240 Volt/ 50 Hertz/ 3 Phase	M412517P	1/2
	380/400-415 Volt/ 50 Hertz/ 3 Phase	M412517P	1/2
Electric	200-208 Volt/ 60 Hertz/ 3 Phase	44007201P	1/2
	240 Volt/ 60 Hertz/ 3 Phase	44007201P	1/2
	480 Volt/ 60 Hertz/ 3 Phase	M412517P	1/2
	240 Volt/ 50 Hertz/ 1 Phase	M412514P	1/2
	200 Volt/ 50 Hertz/ 3 Phase	M412517P	1/2
	240 Volt/ 50 Hertz/ 3 Phase	M412514P	1/2
	380 Volt/ 50 Hertz/ 3 Phase	M412517P	1/2
	400-415 Volt/ 50 Hertz/ 3 Phase	M412517P	1/2

Reversing Tumblers

MODEL	ELECTRIC SERVICE	FAN MOTOR		DRIVE MOTOR	
		PART NO.	HP	PART NO.	HP
Gas and Steam	200-208-240 Volt/ 60 Hertz/ 3 Phase	M412516P	1/3	M412519P	1/3
	460-480 Volt/ 60 Hertz/ 3 Phase	M412516P	1/3	M412519P	1/3
	230-240 Volt/ 50 Hertz/ 1 Phase	M412513P	1/3	M412520P	1/3
	200 Volt/ 50 Hertz/ 3 Phase	M412516P	1/3	M412519P	1/3
	230-240 Volt/ 50 Hertz/ 3 Phase	M412516P	1/3	M412519P	1/3
	380/400-415 Volt/ 50 Hertz/ 3 Phase	M412516P	1/3	M412519P	1/3
Electric	200-208 Volt/ 60 Hertz/ 3 Phase	44007101	1/3	M412519P	1/3
	240 Volt/ 60 Hertz/ 3 Phase	44007101	1/3	M412519P	1/3
	480 Volt/ 60 Hertz/ 3 Phase	M412516P	1/3	M412519P	1/3
	240 Volt/ 50 Hertz/ 1 Phase	M412513P	1/3	M412520P	1/3
	200 Volt/ 50 Hertz/ 3 Phase	M412513P	1/3	M412519P	1/3
	240 Volt/ 50 Hertz/ 3 Phase	M412513P	1/3	M412519P	1/3
	380 Volt/ 50 Hertz/ 3 Phase	M412516P	1/3	M412519P	1/3
	400-415 Volt/ 50 Hertz/ 3 Phase	M412516P	1/3	M412519P	1/3

Parts Index

A

Acorn Nut	
M414215	33
Airflow Switch	
M400944	53, 59
M412423	53, 59
Airflow Switch Box	
M403235	59
Anti-Torque Ring	
M400605	51
Arm	
70030301	29

B

Baffle	
44004901	31
44005201	31
Baffle Gasket	
70015701	31
Ball Bearing	
M401375	43
M413921	37
M413922	37
Ball Valve	
M412562	51
Barrier	
M400712	53, 59
Base Mounting Switch	
M412186	117, 119, 121, 123, 125, 127, 129, 131
M412187	97, 99, 101, 103, 105, 107, 109, 111, 113, 115
Bearing	
430038	45
Bearing Retainer	
M401370	43
Belt	
M401182	41
M412090	39
M412981	39
Belt Guard	
M413008	39, 47
M413541	39
Belt Guard Assembly	
M411467	41
M413627	39
Bolt	
M400650	37
M401393	39, 47
M412119	45
Bracket	
M409202	59
44018601	9
70080701	9, 13
Bumper Assembly	
70154405	29
70154406	29
Burner	
M410541	51

Burner Orifice	
M400997	51
M400999	51
M401000	51
M401001	51
M401011	51
M401014	51
M401021	51
M401027	51
M406184	51
Bushing	
M412086	39
M412885	39
M412917	39

C

Calibration Jumper	
70084104	13
Cam Package	
M409532	9
Capacitor Network Assembly	
M413863	103, 105, 113, 115, 125, 127, 129, 131
Card Reader and Bracket Assembly	
510068	21
Card Reader Harness	
70211801	21
Card Reader/Network Harness	
70206601	21
Circuit Board Support	
34896	9, 13
70178801	9
Circuit Breaker	
M412407	117, 119, 121, 123, 125, 127, 129, 131
M412408	117, 121, 125, 129
Clip	
M400974	61
M400976	53, 59
M400984	25
Coil Spring	
M402455	11
Coin Carrier Spring	
M405138A	11
Coin Drop	
210195	19
210196	19
38467	19
38475	19
38479	19
38519	19
39748	19
70256401	19
Coin Meter	
M412542	9
M412544	9
M412546	9
M412547	9
70112401	9
70112501	9
70112701	9
70137301	9
70137401	9

70138401	9	44010901	19, 21
70151301	9	44016701	17
70262401	9	44016702	17
70262501	9	44017001	17
Coin Meter Drive		44017002	17
M400754	11	44025601	13
Coin Retainer Spring		44025701	13
M406297	11	44025801	9
Coin Shute Assembly		Control Plate Assembly	
70243701	31	70175803	13
Coin Vault Assembly		70175804	9
70180101	31	70175807	19
Coin Vault Switch Harness		70175808	21
44023001	25	70175809	21
Coin Vault Trim		Control Timer Board	
70117501	27	70175301P	9
70117502	27	Control Trim	
Communication Cable		44016301	25
M414875	19, 21	44016401	25
Contactora		Core Ferrite Assembly	
M413616	91, 93, 95	M413930	91, 93, 95
Contactora Block		Counterweight	
44018701	63	M400822	53, 59
Contactora Box		Cover	
M412267	117, 119, 121, 123, 125, 127, 129, 131	M400828	61
Contactora Box End		Cylinder and Trunnion Assembly	
M413757	65, 67, 69, 71, 73, 75, 77, 79, 81, 83, 85, 87, 89	M400450	35
M413758	65, 67, 69, 71, 73, 75, 77, 79, 81, 83, 85, 87, 89	M401979	35
Contactora Box Wrapper		M404816	35
44028401	65, 67, 69, 71, 73, 75, 77, 79, 81, 83, 85, 87, 89	M405366	35
Contactora Motor		Cylinder Assembly	
M412404	99, 105, 111, 115	M400439	35
Control		M400440	35
70228401P	17	M405009	35
Control Assembly		M405365	35
44013601	17	Cylinder Motor Harness	
Control Overlay		M412745	49
70114501	15	Cylinder Motor Harness Assembly	
70114502	15	M412573	49
70129201	15	M413687	49
70129202	15	M413688	49
70134901	15		
70134902	15		
70245901	15		
70245902	15		
70246001	15		
70246002	15		
70246101	15		
70246102	15		
Control Panel			
44000117BLK	25		
44000117*	25		
44000118	25		
44000119*	25		
44000120	25		
Control Panel Harness			
44005501	9		
44005601	13		
44005701	13		
44006601	9		
44006701	13		
44006801	13		
44010801	19, 21		

D

Din Rail	
M412689	97, 99, 101, 103, 105, 107, 109, 111, 113, 115
M412690	119, 121, 123, 127, 129, 131
M412691	117, 119, 121, 123, 125, 127, 129, 131
M412692	117, 119, 121, 125, 127, 129, 131
M412693	117, 125
M412756	123
M412771	99, 105, 109, 111, 113, 115
M412772	97, 99, 101, 103, 105, 107, 109, 111, 113, 115
Door Assembly	
70176501	33
70176502	33
70176503	33
70176504	33
Door Glass	
M400784	33
70133601	33
Door Glass Seal	
70211901	33

Door Handle	
M400133	33
430117	33
70024801	33
70133501	33
Door Hinge	
70115901*	33
70115902	33
Door Hinge Cam Assembly	
44035101	33
44035201	33
Door Latch	
M401223	27
Door Ring Gasket	
70211601	33
Door Strike Screw	
M400661	33
Door Switch Cover	
44001301	25
Door Switch Wire Channel	
44001801	25
Drive Motor	
M412519P	132
M412520P	132

E

Electric Contactor	
M412403	117, 119, 121, 123, 125, 127, 129, 131
Electronic Control	
510034	19
Electronic Control Overlay	
70184301	19
70184302	19
70239601	19
70239602	19
Emergency Stop Button	
44018801	63
End Barrier	
M412633	97, 99, 101, 103, 105, 107, 109, 111, 113, 115, 117, 119, 121, 123, 125, 127, 129, 131
End Section	
M412540	97, 99, 101, 103, 105, 107, 117, 121, 125, 129
End Stop	
M412615	109, 111, 113, 115, 119, 123, 127, 131
70121001	97, 99, 101, 103, 105, 107, 109, 111, 113, 115, 117, 119, 121, 123, 125, 127, 129, 131
Expansion Clip	
70030501	25
Extension Handle	
M412370	97, 99, 101, 103, 105, 107, 109, 111, 113, 115
M412371	117, 119, 121, 123, 125, 127, 129, 131
Extension Spring	
M412120	41

F

Fan	
M400086P	47

M410088P	47
Fan Contactor	
M413614	67, 69, 71, 75, 77, 81, 83, 87, 89
Fan Housing Cover	
M401362	47
Fan Motor	
M412513P	132
M412514P	132
M412516P	132
M412517P	132
44007101	132
44007201P	132
Fan Motor Harness	
M412574	47
M413281	47
M413686	47
44006101	47
44006201	47
Felt Pad	
M402144	35
Ferrite Core	
M413930	127, 129, 131
Ferrite Core Assembly	
M413930	125
Finger Guard	
M412366	97, 99, 101, 103, 105, 107, 109, 111, 113, 115
M412367	117, 119, 121, 123, 125, 127, 129, 131
Front Panel	
44000211*	27
44000212*	27
Front Panel Harness	
44006901	25
44007001	25
44023701	25
Front Panel, Card	
44000203*	27
44000204	27
Front Panel, Coin	
44000201*	27
44000202	27
Front Panel, OPL	
44000205*	27
44000206	27
Fuse	
M412996	109, 111, 119, 123
M413118	65, 67, 69, 73, 75, 79, 81, 85, 87
M413621	71, 77, 83, 89, 113, 115, 127, 131
M413867	103, 105, 125, 129
M414103	17
M414232	7
502593	97, 99, 101, 107, 117, 121
Fuse Bracket	
M413575	65, 67, 69, 73, 75, 79, 81, 85, 87
M413576	71, 77, 83, 89
Fuse Holder	
M412537	97, 99, 101, 103, 105, 107
M412538	109, 113
M413544	71, 77, 83, 89
91024	65, 67, 69, 73, 75, 79, 81, 85, 87
Fuse Receptacle	
91024	7
Fuse Sticker	
M413816	65, 67, 69, 73, 75, 79, 81, 85, 87
M413817	71, 77, 83, 89

Fuseholder	
M412537	117, 121, 125, 129
M412538	119, 123, 127, 131

G

Gas Piping Elbow	
M413443	51
Gas Valve	
M410907	51
M410908	51
M413332	51
M413333P	51
M413463	51
M413464	51
M413467	51
M413468P	51
Gas Valve Bracket	
M406814	51
Gas Valve Coil	
44042901	51
Gas Valve Harness	
M412997	51
M413650	51
Ground Buss	
M412656	97, 99, 101, 103, 105, 107, 109, 111, 113, 115, 117, 119, 121, 123, 125, 127, 129, 131
Ground Lug Connector	
M411283	91, 93, 95
Ground Marker	
M403047	65, 67, 69, 71, 73, 75, 77, 91, 93, 95
Ground Screw	
M402917	65, 67, 69, 71, 73, 75, 77, 91, 93, 95
Ground Terminal	
M406178	9, 15
Ground Wire	
M412645	9, 15, 17, 19, 21
Guard	
M410544	59
Guide Rail	
M412476	41

H

Harness	
M412609	53
M412635	53
M413168	7
M413678	7
M413679	7
M413680	7
M413690	53
M413824	7
M413992	7
M413993	7
M413994	7
44006301	7
44006401	7
Harness Accessory Box Assembly	
M413696	93, 95
M413932	91
Harness Assembly	
M412642	107

M413683	69, 71, 81, 83
M413684	75, 77, 87, 89
M414034	105, 115
44005801	65, 79
44005901	67
44006001	73, 85
44008001	77, 87

Harness Capacitor Network Assembly	
M413878	65, 67, 69, 71, 73, 75, 77, 79, 81, 83, 85, 87, 89

Harness Jump Assembly	
M414077	113, 115

Harness Jumper Assembly	
M412644	97, 101, 103, 107
M412778	109, 111
M412803	127
M412871	125
M414078	125, 129
M414079	127, 131

Harness Jumper Set Assembly	
M413883	91, 93

Harness Relay Assembly	
M414032	103, 105, 113, 115
M414149	125, 129
M414150	127, 131
M414224	103, 105
44010701	103

Harness Transformer Assembly	
M414028	113, 115, 125, 129, 131
M414029	103, 105, 113, 115, 125, 127, 129, 131
M414076	103, 105

Heater Cable	
M413960	55

Heater Cable Harness	
M412801	57
M412802	57

Heater Element	
M410939P	55, 57
M410940P	55
M410941P	55, 57
M412955	55

Hex Nut	
M412688	97, 99, 101, 103, 105, 107, 109, 111, 113, 115, 117, 119, 121, 123, 125, 127, 129, 131

High Limit Thermostat	
M409433	55
M410220	55, 57

High Voltage Lead	
M410989	7
44005401	7

Hinge Lug	
44035001	33

Hole Plug	
M413968	91, 93, 95

I

Idler Arm	
M414320	45

Idler Housing	
M412103	45
M412612	43

Idler Housing Assembly	
M412228	45

Idler Housing Guide Rail	
M412476	39
Idler Housing Kit	
M412630P	43
Idler Shaft	
M412223	45
M414241	43
Idler Wheel	
430619	45
Ignition Control	
M410904P	7
M413433P	7
M413532P	7
Indicator Light	
70082201	9, 15
Insulator	
M413862	65, 67, 69, 71, 73, 75, 77, 79, 81, 83, 85, 87, 89
Interface Board	
210095	23

J

Jam Nut	
M400033	41
02428	49
Jumper Assembly	
M413168	73, 75, 77, 87
M413624	75, 77, 87, 89
M413625	75, 77, 87, 89
M413694	73, 85
M413695	73, 85
Jumper Bar	
M400866	55, 57
Jumper Bypass Assembly	
M413168	85, 89
Jumper Cable	
M412740	117, 121, 125, 129
M414121	119, 123, 127, 131
Jumper Cable Assembly	
M413933	91, 93, 95
M413934	91
Jumper Calibration	
70084104	9
Jumper Configuration Assembly	
M413506	69, 75, 81, 87
M413507	65, 67, 69, 73, 75, 79, 81, 85, 87, 103, 105, 125, 129
M413508	71, 77, 83, 89, 113, 115, 127, 131
M413509	83, 89, 127, 131
M413510	71, 77, 83, 89
Jumper Harness	
M412644	99, 105
Jumper Strip	
M400869	55, 57
Jumper Wire	
M412287	55, 57
M412803	119, 123
M412871	117, 121
Jumper-Bypass Wire	
M414874	21
Junction Box	
M412648	97, 99, 101, 103, 105, 107, 109, 111, 113, 115

K

Keps Nut	
23951	65, 67, 69, 71, 73, 75, 77, 79, 81, 83, 85, 87, 89, 103, 105, 113, 115, 125, 127, 129, 131
Key	
M400008	35, 41
M400993	43, 47
M400994	47
M401327	41, 43
M405232	35
Kickplate	
70117607	29
70117608	29

L

Lint Panel	
44000001*	29
44000002	29
Lint Panel Switch	
44011601	25
Lint Panel Switch Bracket	
44011501	25
Lint Screen	
44020701	31
Loading Spring	
M400401	43
Lock	
70155501	27
Lock Nut	
M400035	41
Lockwasher	
M400013	35, 39, 47, 49
M400014	39, 41, 47
M400015	35, 37
M403958	39, 41, 49
M412188	39, 41
02834	49
Lock, Lint Panel	
70155501	25
70155502	25
Lug Hinge Assembly	
44035001	25
L.P. Gas Conversion Kit	
M4542P3	51

M

Manifold Pipe	
M406681	51
M413395	51
Micro V Belt	
M411425	41
Micro V Pulley	
M411466	45
Micro V Sheave	
M412156	41
Motor Bracket	
M411483	39, 41

Motor Contactor	
M412404	97, 101, 103, 107, 109, 113, 117, 119, 121, 123, 125, 127, 129, 131
Motor Hardware Kit	
M4426P3	47
Motor Mount Assembly	
M413617	39, 49
Motor Mounting Bracket	
M411483	47
Motor Mounting Ring Kit	
M4525P3	47
Motor Pulley	
M414564	47
M414566	47
Mounting Assembly	
44013701	17
Mounting Bracket	
M409202	53
Mounting Plate	
70208801	21
Multitap Transformer	
M41422865, 67, 69, 75, 79, 81, 85, 87, 103, 105, 125, 129	
M414229	71, 77, 83, 89, 113, 115, 127, 131

N

NetMaster Control Assembly	
505905P	21
Network Capacitor Assembly	
M413863	65, 67, 69, 71, 73, 75, 77, 79, 81, 83, 85, 87, 89
Network Harness Assembly	
800217	19, 21
Nipple	
M400749	51
Nut	
H88412101	39, 41
M400022	47
M400026	37, 39, 41
M400034	47
M400977	25, 53, 59
M401548	51
M401549	51
M401930	35
M404993	35
02428	39, 47
02788	25
20274	39, 47, 49
21899	31
23951	29, 33
29786	25, 33
52566	45
56156	45
70054	9, 13, 17, 19, 21, 55, 57
70142	49

O

Overlay	
70113501	9
70114301	9
70115801	17
70128401	17

70128601	17
70128701	17
70129101	9
70130301	17
70130401	17
70130501	17
70130601	17
70130701	17
70131001	9
70134801	9
70135301	17
70183501	9
70184303	21
70184401	21
70239501	21
70239603	21

P

Panel Locator	
56079	25, 29
Pop Rivet	
70126301	29
70126401	29
Pop-Dome Rivet	
M400003	27
Power Distribution Block	
M413865	91, 93, 95, 117, 119, 121, 123, 125, 127, 129, 131
Power Distribution Block Cover	
44014901	117, 119, 121, 123, 125, 127, 129, 131
Power Relay	
502501	65, 73, 79, 85
Pulley	
M412884	39
M412916	39
M412931	39
M414565	49
M414567	49

R

Relay	
M412534	15, 97, 99, 101, 103, 105, 107, 109, 111, 117, 119, 121, 123
Relay Harness	
M412636	97, 99
M412639	101
M412707	99, 107, 109, 111
M412766	119, 123
M412775	119
M412776	117, 121
M412777	117
Repair Kit	
M412259	61
Reset Switch	
M413431	7
Return Lead	
M411061	7
Rev Timer Harness Assembly	
44008001	89
Reversing Contactor	
M412405	99, 105, 111, 115, 121, 123, 129, 131
M413615	73, 75, 77, 85, 87, 89

Reversing Contactor Harness Assembly	121, 123, 125, 127, 129, 131
M414034	129, 131
Reversing Contactor Jumper	
M412926	99, 105
M412927	99, 105
M412928	111, 115, 121, 123, 129, 131
M412929	111, 115, 121, 123, 129, 131
Reversing Timer	
M412081	73, 75, 77, 85, 87, 89
Reversing Timer Harness	
M412930	99, 111
M412932	121, 123
Reversing Timer Harness Assembly	
44008001	73, 75, 85
Rib Rod	
M400901	35
M401411	35
Ring	
M400399	41
Rocker Switch	
M413270	15
70108501	15

S

Screw	
M400043	39, 41
M400044	33, 65, 67, 69, 71, 73, 75, 77, 79, 81, 83, 85, 87, 89, 103, 105, 113, 115, 125, 127, 129, 131
M400056	49
M400057	39, 47, 49
M400061	39, 41
M400063	37
M400071	103, 105
M400072	53, 59
M400077	47
M400664	53, 59
M401938	25, 53, 59
M402574	25
M402585	25, 33
M402797	15, 53
M405824	65, 67, 69, 71, 73, 75, 77, 79, 81, 83, 85, 87, 89
M409385	33
M410059	47
M411052	15
M411072	25
M411143	7
M412627	39, 41
M413565	49
22688	49
32671	117, 119, 121, 123, 125, 127, 129, 131
33562	55, 57, 97, 99, 101, 107, 109, 111, 117, 119, 121, 123, 125, 127, 129, 131
39733	25, 29
430497	7, 9, 15, 47, 51, 53, 55, 57, 59, 61
430648	45
430756	33
431287	25
44023301	25, 33
501086	97, 99, 101, 107, 109, 111, 117, 119, 121, 123
501524	19, 21
51778	65, 73, 79, 85
51780	7, 59, 73, 97, 99, 101, 103, 105, 107, 109, 111, 113, 115, 117, 119,
51782	121, 123, 125, 127, 129, 131
61199	33
70033504	25, 33
70069901	7, 9, 13, 17
70072801	29
70113001	29, 33
70187201	37, 43
70240301	51, 55, 57
70247701	31
Setscrew	
M400065	41
M400077	45
Shadow Box Clip	
M400972	25
Sheave	
M400092P	41
Shield	
M414873	7
Shroud	
70061701	9
Shutoff Valve	
M406455	51
Snap Bushing	
M400770	79, 81, 83, 85, 87, 89
M402542	91, 93, 95
M411537	65, 67, 69, 71, 73, 75, 77, 79, 81, 83, 85, 87, 89
Snap In Plug Button	
M400985	65, 67, 69, 71, 73, 75, 77, 79, 81, 83, 85, 87, 89
Spacer	
M401402	35
44024001	39
70030201	29
Spark Igniter	
M406934P	51
M410905	51
Spring Return	
M405138B	11
Spud Holder	
M410546	51
Standoffs	
210098	23
Start Switch	
70108501	9
Steam Coil	
M400637	61
Steam Heater Assembly	
44020401	61
Steam Valve	
M412241	61
M413445	61
M413446	61
Steam Valve Coil	
M412258	61
M413451	61
Switch	
M400001	11
M400947	11
44018201	25
70107001	19, 21
Switch Box	
M403235	53
Switch Box Cover	
M400931	53

Switch Bracket	
44005101	7
Switch Plate	
M413236	15
Switch Vane Lever	
M400753	53

T

Tailpiece	
M401550	51
M413348	51
Tap Screw	
M412105	73, 75, 77, 85, 87, 89
32671	91, 93, 95
430497	65, 67, 69, 71, 73, 75, 77, 79, 81, 83, 85, 87, 89
501086	71, 77, 83, 89
51778	65, 67, 69, 71, 73, 75, 77, 79, 81, 83, 85, 87, 89
51780	65, 67, 69, 71, 75, 77, 79, 81, 83, 85, 87, 89, 91, 93, 95
Temperature Control Board	
431347P	9, 13
Temperature Control Bracket	
44018601	15
Temperature Knob	
44020501	9, 15
44020502	9, 15
Temperature Switch	
431353	13
431353P	9
Tension Plate Assembly	
M414405	39, 41
Terminal Block	
M405364	65, 67, 69, 71, 73, 75, 77, 79, 81, 83, 85, 87, 89
M412631	97, 99, 101, 103, 105, 107, 109, 111, 113, 115, 117, 119, 121, 123, 125, 127, 129, 131
M412632	97, 99, 101, 103, 105, 107, 109, 111, 113, 115, 117, 119, 121, 123, 125, 127, 129, 131
430642	65, 67, 69, 71, 73, 75, 77, 79, 81, 83, 85, 87, 89
Terminal Fuse Holder Block	
M412538	111, 115
Terminal Strip	
M413542	65, 67, 69, 71, 73, 75, 77, 79, 81, 83, 85, 87, 89
Thermostat	
M409433	53
M411938	53
Thermostat Bracket	
M402798	53
Thermostat Cover	
M414477	53
Timer	
M412079P	15
M412080P	13
70131701P	13
70131801P	15
Timer Knob	
M410927	15
70082101	15

Timer Motor	
70218201	11
70218301	11
Timing Cam	
M400732P	11
M400733P	11
M400734P	11
M400735P	11
M400736P	11
M400737P	11
M400738P	11
M400739P	11
M400740P	11
M400741P	11

Top Cover	
M414719	31
M414759	31
Transformer	
M412412	109, 111, 119, 123
M412477	97, 99, 101, 107, 117, 121
M414228	73
M414230	65
M414312	65
Transformer Assembly	
M414028	127
Transformer Harness	
M412641	97, 99, 101, 107, 109, 111, 117, 119, 121, 123
M412642	97, 99, 101, 117, 121
Trunnion	
M413833P	35
M413834	35
Trunnion Housing	
M413825	37
Trunnion Housing Assembly	
M413831	37
Twin Speed Nut	
M400979	25, 53, 59

V

Vane	
M400253	53, 59
Vane Assembly	
M400541	53, 59
Vane Lever	
M400753	59

W

Washer	
M400080	39, 41, 47, 49
M400991	47
M401947	35
M405535	9, 45
Q6712	37
20103	37
430782	45
Wheel	
70030101	29
Wire	
M413934	117, 119, 121, 123, 125, 127, 129, 131
44014501	117, 119, 121, 123, 125, 127, 129, 131
44014601	117, 121, 125, 129

44014701 117, 121, 125, 129
44014801 119, 123, 127, 131