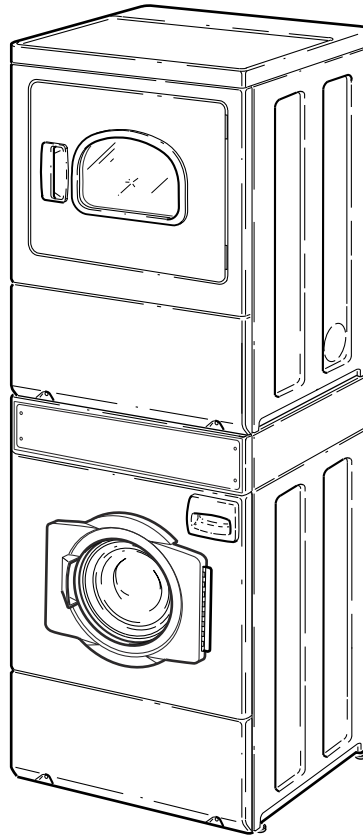


Home Stacked Washer/Dryer

Refer to Page 3 for Model Numbers



SWD443C_802107

Table of Contents

Title	Page
Parts Ordering Information.....	2
Serial Plate Location	2
Model Identification	3
Control Cabinet and Controls.....	4
Washer Front Panel, Door Assembly and Door Seal.....	6
Dispenser Assembly	8
Mixing Valve, Valve-to-Dispenser Inlet Hose and Fill Hose.....	10
Outer Tub, Front and Clamp Ring.....	12
Inner Basket, Trunnion, Bearing Housing and Pulley	14
Washer Motor and Belt	16
Drain Hose and Pump.....	18
Washer Base, Panels and Rear Panel	20
Washer Lead-In Cord, Wire Ties and Clips.....	22
Dryer Loading Door.....	24
Dryer Access Panel, Front Panel and Seal.....	26
Dryer Motor, Blower Fan and Belt.....	28
Front Bulkhead, Air Duct, Felt Seal and Cylinder	30
Rear Bulkhead, Felt Seal, Cylinder Roller and Terminal Block.....	32
Heater Duct and Element Assembly	34
Heater Duct Assembly	36
Gas Valve, Igniter and Gas Conversion Kits.....	38
Dryer Cabinet, Exhaust Duct and Base	40
Dryer Lead-In Cord	42
Dryer Motor Connection Block, Terminal Extractor Tools	44
Shipping Materials	46
Special Tools	48
Labels	50
Wire Harnesses and Wires	52
Parts Index.....	55

© Copyright 2014, Alliance Laundry Systems LLC

All rights reserved. No part of the contents of this book may be reproduced or transmitted in any form or by any means without the expressed written consent of the publisher.

Parts Ordering Information

If literature or replacement parts are required, contact the source from whom the machine was purchased or contact Alliance Laundry Systems at (920) 748-3950 for the name and address of the nearest authorized parts distributor.

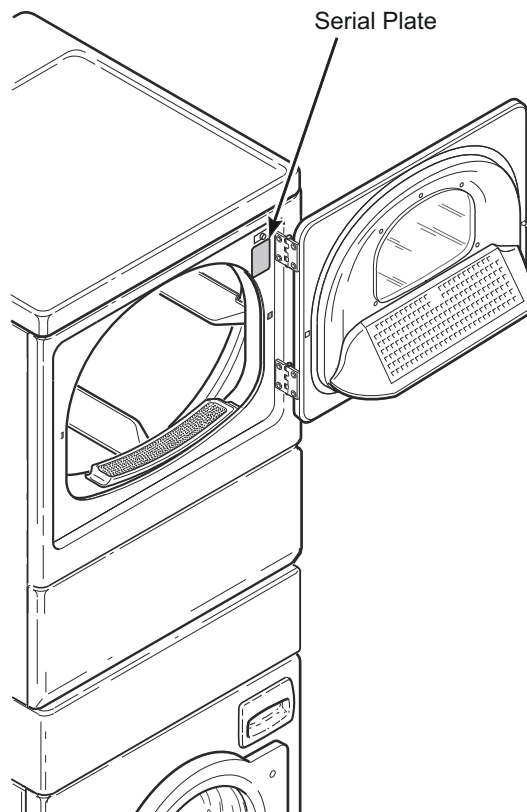
For technical assistance, call either of the numbers listed below:

(920) 748-3121 Ripon, Wisconsin

+32 56 41 20 54 Wevelgem, Belgium

Serial Plate Location

When calling or writing about your product, be sure to mention model and serial numbers. Model and serial numbers are located on serial plate(s) as shown.



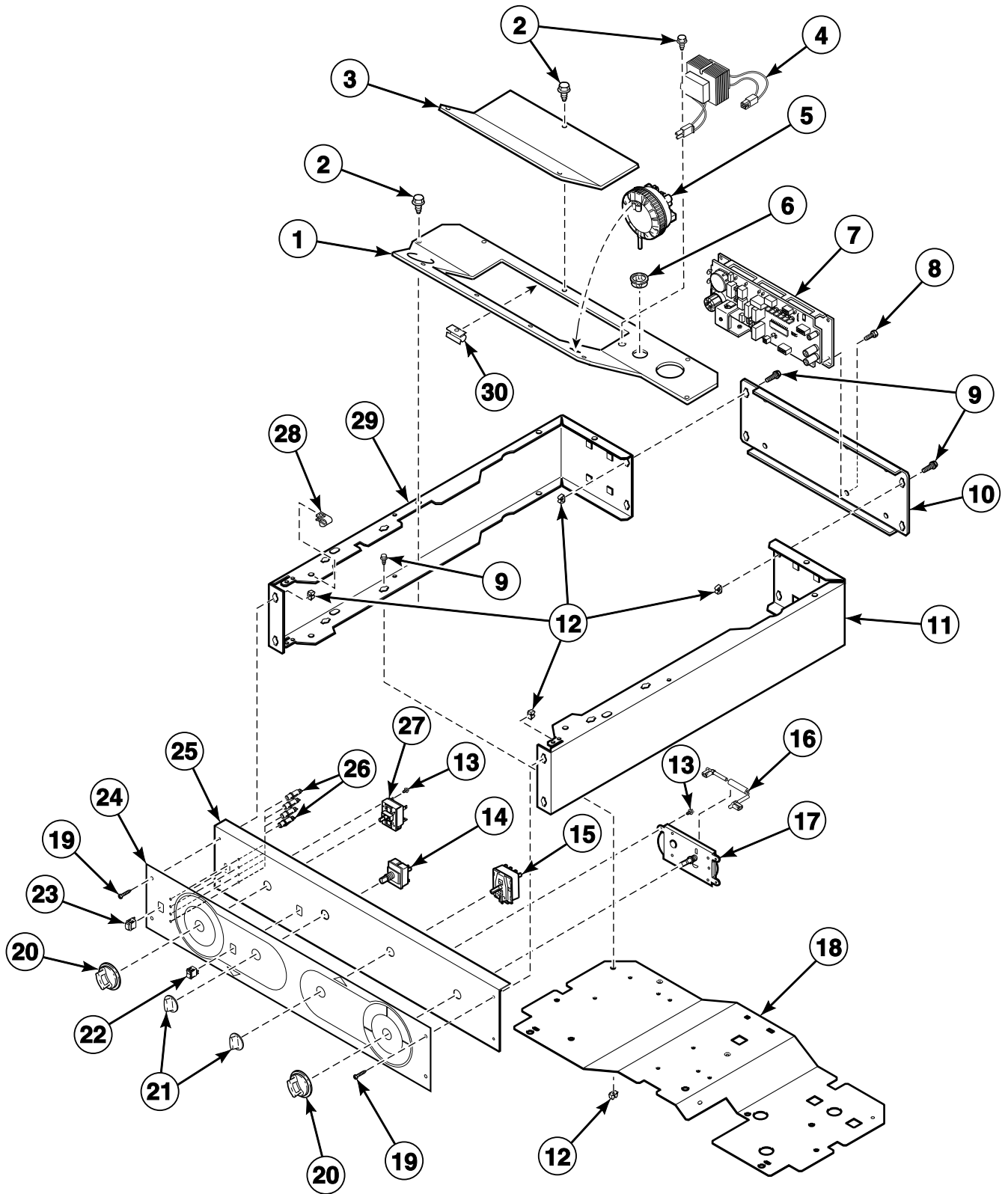
SWD1134P_802107

Model Identification

Information in this manual is applicable to these stacked washer/dryer models:

CTS97AWN
CTS97AWN1500
CTS99AWN

Control Cabinet and Controls



SWD1226P_802107

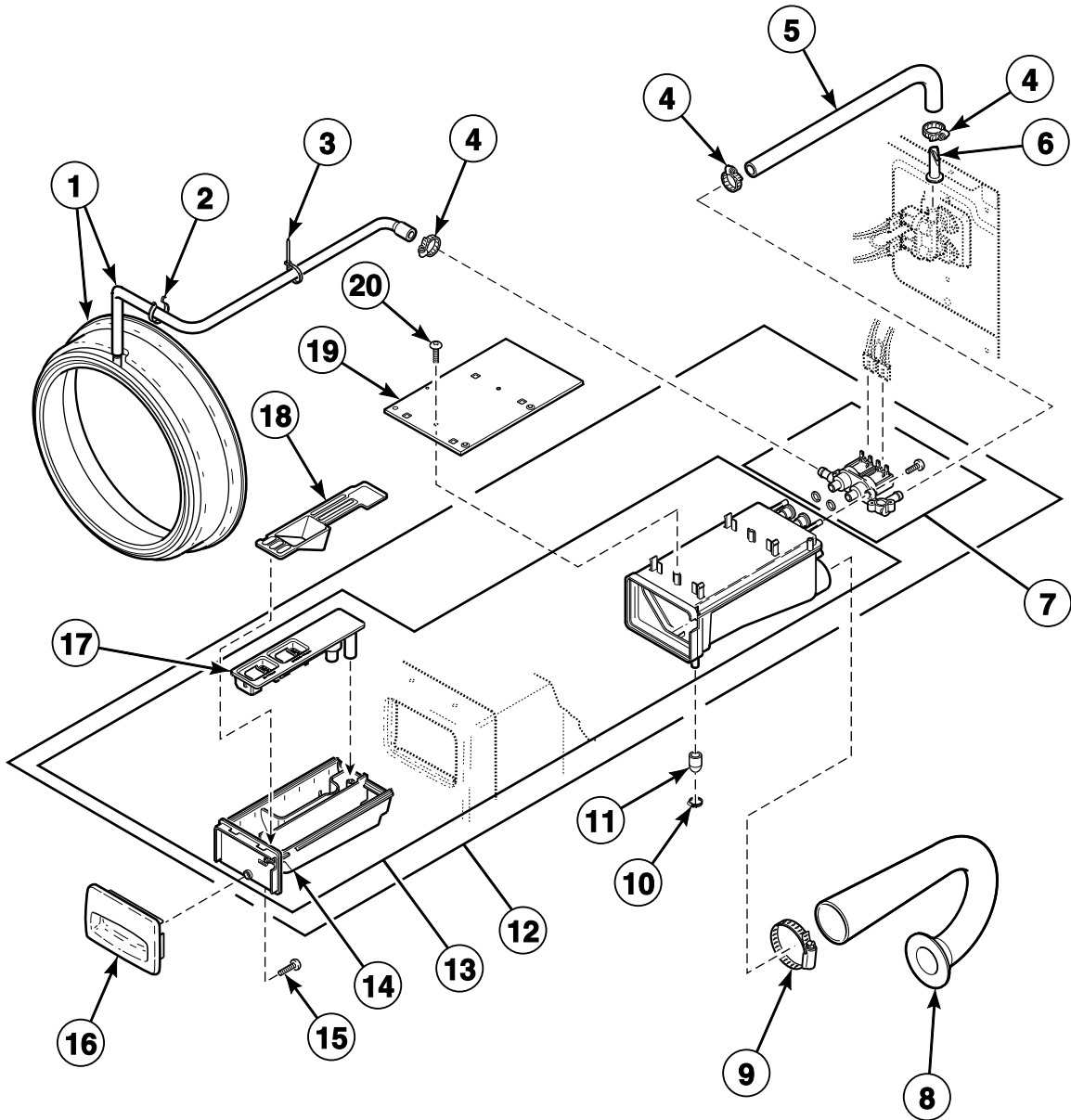
Control Cabinet and Controls

REF	PART NO.	DESCRIPTION	COMMENTS
1	801372	Control Shield	Uses service door
	801371	Control Shield	No service door
2	503661	Screw	
3	801373	Control Access Door	
4	210018P	Transformer	
5	800468P	Pressure Switch	
6	M402542	Snap Bushing	
7	802523P	Control Assembly	
8	501524	Screw	
9	430497	Screw	
10	801058	Rear Control Cabinet	
11	800915W	Right Control Cabinet Side	
12	70030501	Expansion Clip	
13	501086	Screw	
14	687542	Temperature Switch	Washer
15	513505	Fabric Selector Switch	Dryer
16	511277	Resistor Assembly	Use with 505797 Timer; Models CTS97AWN and CTS97AWN1500
17	505797P	Timer and Harness Kit	Models CTS97AWN and CTS97AWN1500
	505794P	Timer	Model CTS99AWN
18	801777	Control Cabinet Bottom	
19	800930	Screw	
20	512117W	Timer Knob Assembly	
21	36701W	Knob Assembly	
22	38424W	Rocker Switch	Extra rinse
23	801434W	Push-to-Start Switch	
24	802184	Graphic Overlay	
25	802101W	Control Panel Assembly	
26	801431	Light	
27	801240	Cycle Switch	Washer
28	800931	Nut	
29	800900WP	Left Control Cabinet Side	
30	36985	Hose Clip	

Washer Front Panel, Door Assembly and Door Seal

REF	PART NO.	DESCRIPTION	COMMENTS
1	801904W	Outer Door Bezel	
2	800343P	Door Glass	
3	801994	Nut	
4	801903	Inner Door Bezel	
5	685430	Locking Catch	
6	801993	Screw	
7	800548	Screw	
8	801019	Screw	
9	802934	Door Hinge	
10	23951	Nut	
11	800906	Hold-Down Clip	
12	56079	Panel Locator	
13	39733	Screw	
14	685429	Door Latch/Switch Assembly	
15	802412	Hinge Plate	
16	800438	Wire Clamp Ring	
17	685743P	Door Seal Clamp	Seal to outer tub front
18	800232P	Door Seal and Hose Assembly Kit	Black
	801784P	Door Seal and Hose Assembly Kit	Gray
19	55881	Harness Strap	
20	800803	Hose Clamp	
21	800346	Extension Spring	
22	36020	Nut	
23	503661	Screw	
24	685368	Access Panel Damper	
25	801045	Screw	
26	514250WP	Access Panel Assembly	
27	800336WP	Front Panel	
28	800211	Door Switch	
29	801928WP	Door Assembly	Includes items 1-11

Dispenser Assembly

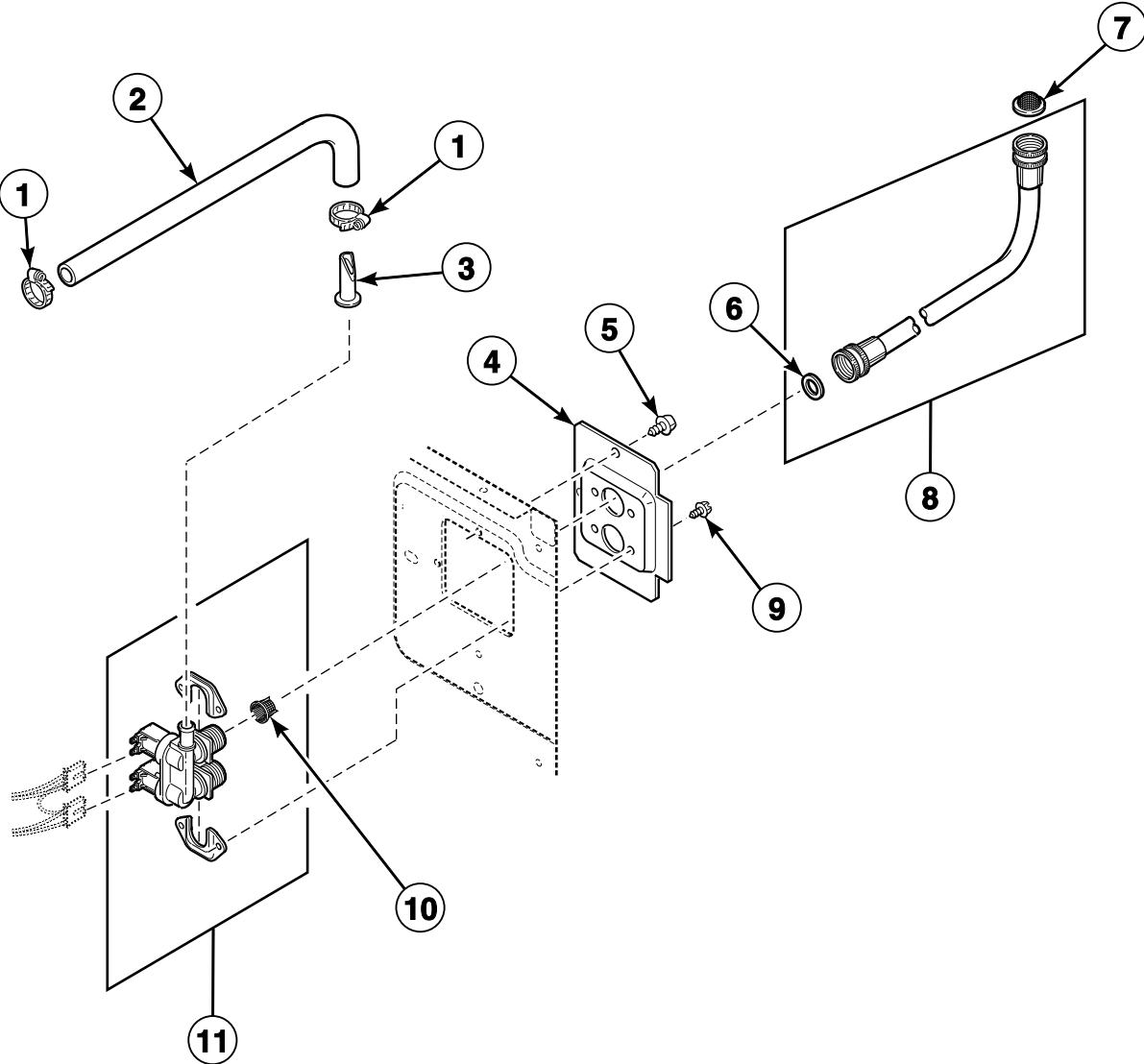


FLW820P_802107

Dispenser Assembly

REF	PART NO.	DESCRIPTION	COMMENTS
1	800232P	Door Seal and Hose Assembly Kit	Black
	801784	Door Seal and Hose Assembly	Gray
2	687500	Wire Clip	
3	55881	Harness Strap	
4	802164	Hose Clamp	
5	801464	Valve-to-Dispenser Inlet Hose	
6	34500	Backflow Preventer	
7	685766P	Valve Kit	
8	800331	Dispenser-to-Tub Hose	
9	685725	Hose Clamp	
10	F200206	Hose Clamp	
11	801746	Cap	
12	685756P	Dispenser	
13	801476P	Dispenser Assembly	
14	685757P	Dispenser Drawer	
15	800548	Screw	
16	685715WP	Dispenser Drawer Front	
17	685716	Insert	
18	800899	Detergent Cover	
19	801024	Dispenser Plate	
20	801001	Screw	

Mixing Valve, Valve-to-Dispenser Inlet Hose and Fill Hose

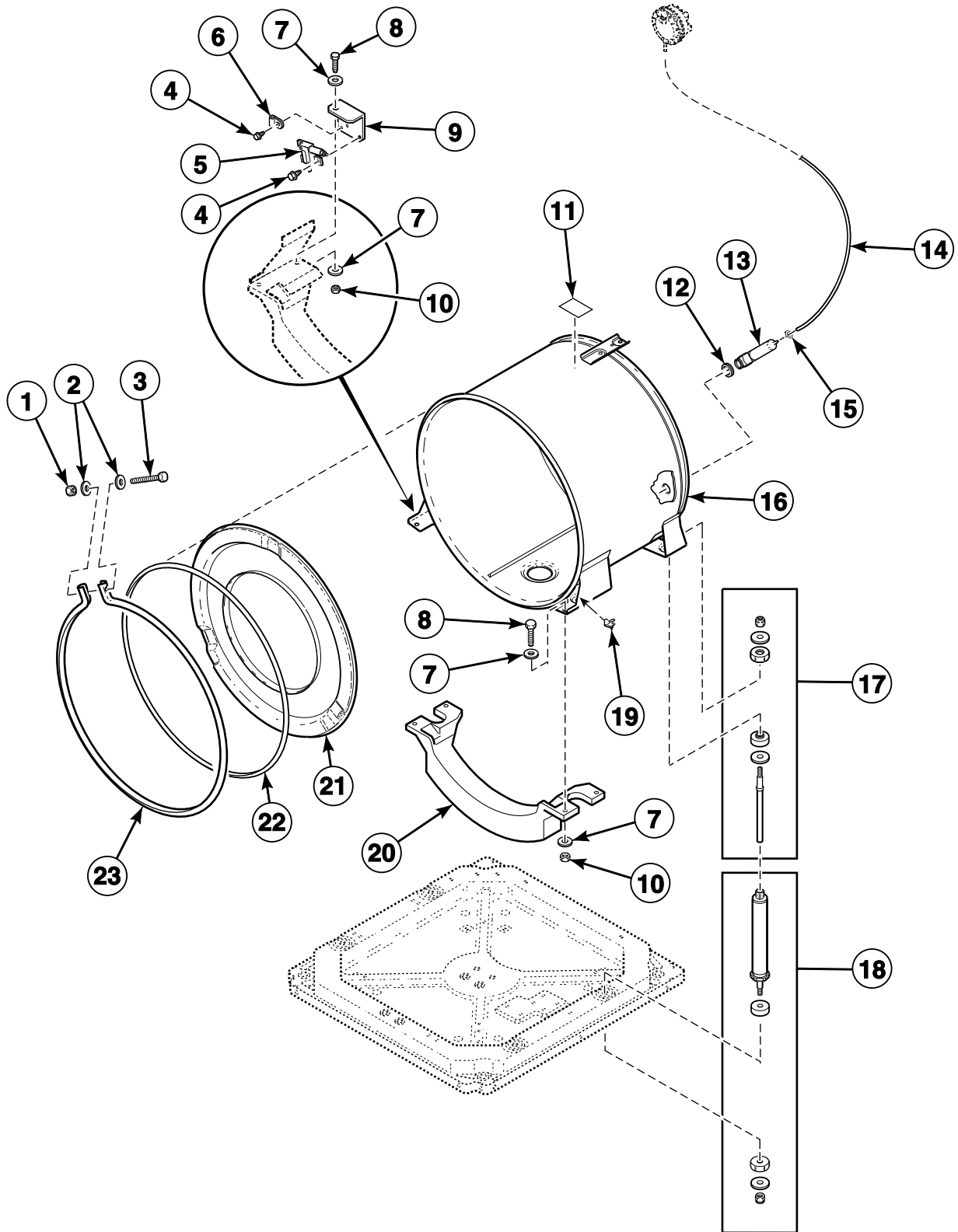


FLW881P_802107

Mixing Valve, Valve-to-Dispenser Inlet Hose and Fill Hose

REF	PART NO.	DESCRIPTION	COMMENTS
1	802164	Hose Clamp	
2	801464	Valve-to-Dispenser Inlet Hose	
3	34500	Backflow Preventer	
4	800323	Mixing Valve Plate	
5	503661	Screw	
6	20290	Washer	
7	803615	Washer	Filter screen
	802254	Washer	Flow restrictor; Water pressure reducer; Available for water pressure up to but not exceeding 120 psi
8	F200116	Water Hose	4 feet; Includes 2 of item 6
	20617	Fill Hose	8 feet
	20618	Fill Hose	10 feet
9	501086	Screw	
10	802926	Mixing Valve Screen	
11	802220P	Mixing Valve	

Outer Tub, Front and Clamp Ring

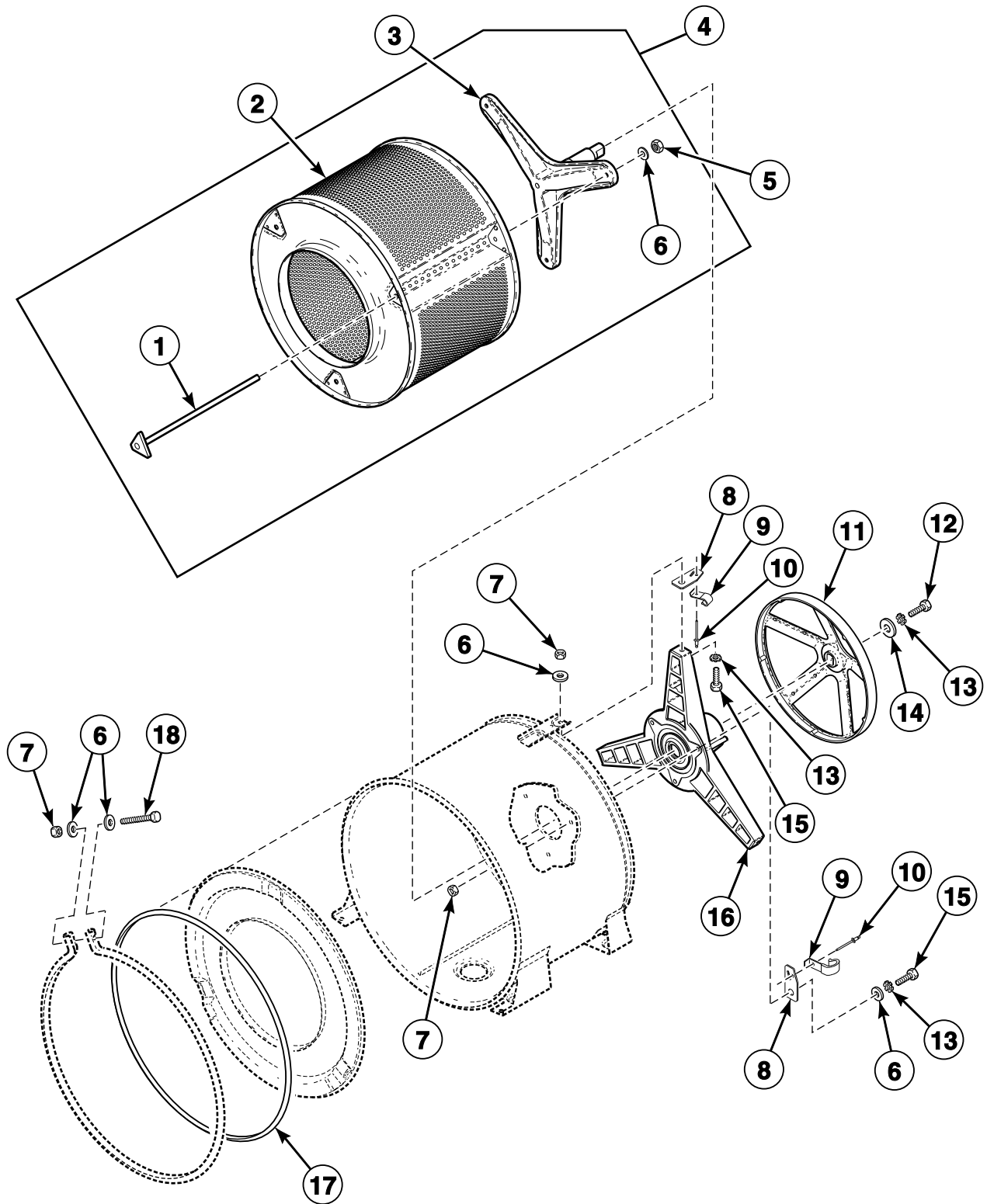


SWD1151P_802107

Outer Tub, Front and Clamp Ring

REF	PART NO.	DESCRIPTION	COMMENTS
1	F430218	Nut	
2	800457	Washer	
3	800462	Screw	
4	503661	Screw	
5	801006	Out-of-Balance Switch Assembly	
6	800811	Wire Clamp	
7	M400081	Washer	
8	800461	Screw	
9	800663	Switch Mounting Bracket	
10	800452	Nut	
11	500049	Warning Label	
12	29175	Grommet	
13	30907	Pressure Bulb	
14	800648P	Tubing	
15	39282	Hose Clamp	
16	801081P	Outer Tub Assembly	
17	800622P	Tub Shock Absorber Kit	Upper
18	800623P	Base Shock Absorber Kit	Lower
19	00161	Grounding Clip	
20	800205	Ballast Weight	
21	800430	Tub Front Assembly	
22	800432P	Tub Front Seal	
23	800312	Clamp Ring	

Inner Basket, Trunnion, Bearing Housing and Pulley

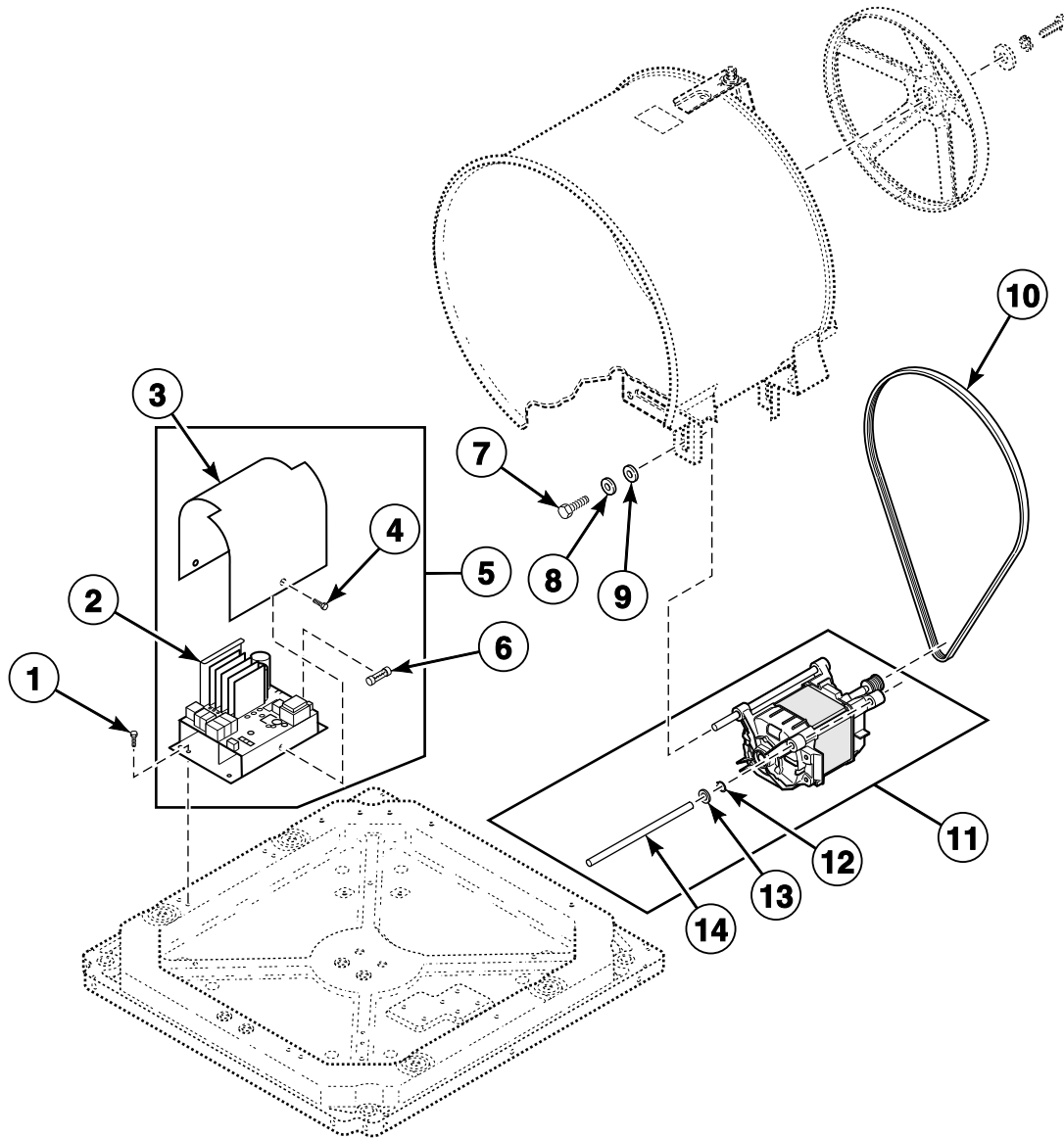


FLW865P_802107

Inner Basket, Trunnion, Bearing Housing and Pulley

REF	PART NO.	DESCRIPTION	COMMENTS
	27604P	Anti-Seize Compound	Pulley to inner basket shaft
	838P3	Hardware Kit	Includes (8) of item 6, (7) each of items 7 and 13, (6) of item 10, (1) each of items 12, 14, 17, 18 and 27604P Anti-Seize Compound
1	800666	Tension Rod Assembly	
2	803007P	Inner Basket Assembly	Includes (3) each of items 1, 5, 6, and 838P3 Hardware Kit
3	800749P	Trunnion Shaft and Hardware Kit	Includes (3) each of items 1, 5, 6, and 838P3 Hardware Kit
4	800429P	Inner Basket Assembly	Includes items 2, 3, (3) each of items 1, 5, 6, and 838P3 Hardware Kit
5	685844	Nut	
6	800457	Washer	
7	800452	Nut	
8	800552	Hose Mounting Plate	
9	800553	Hose Clip	
10	685847	Pop Rivet	
11	800866	Driven Pulley	
12	685831	Screw	Left hand thread
13	M403958	Washer	
14	800464	Washer	
15	M400043	Screw	
16	800428P	Bearing Housing Kit	Includes 838P3 Hardware Kit
17	800432P	Tub Front Seal	
18	800462	Screw	

Washer Motor and Belt

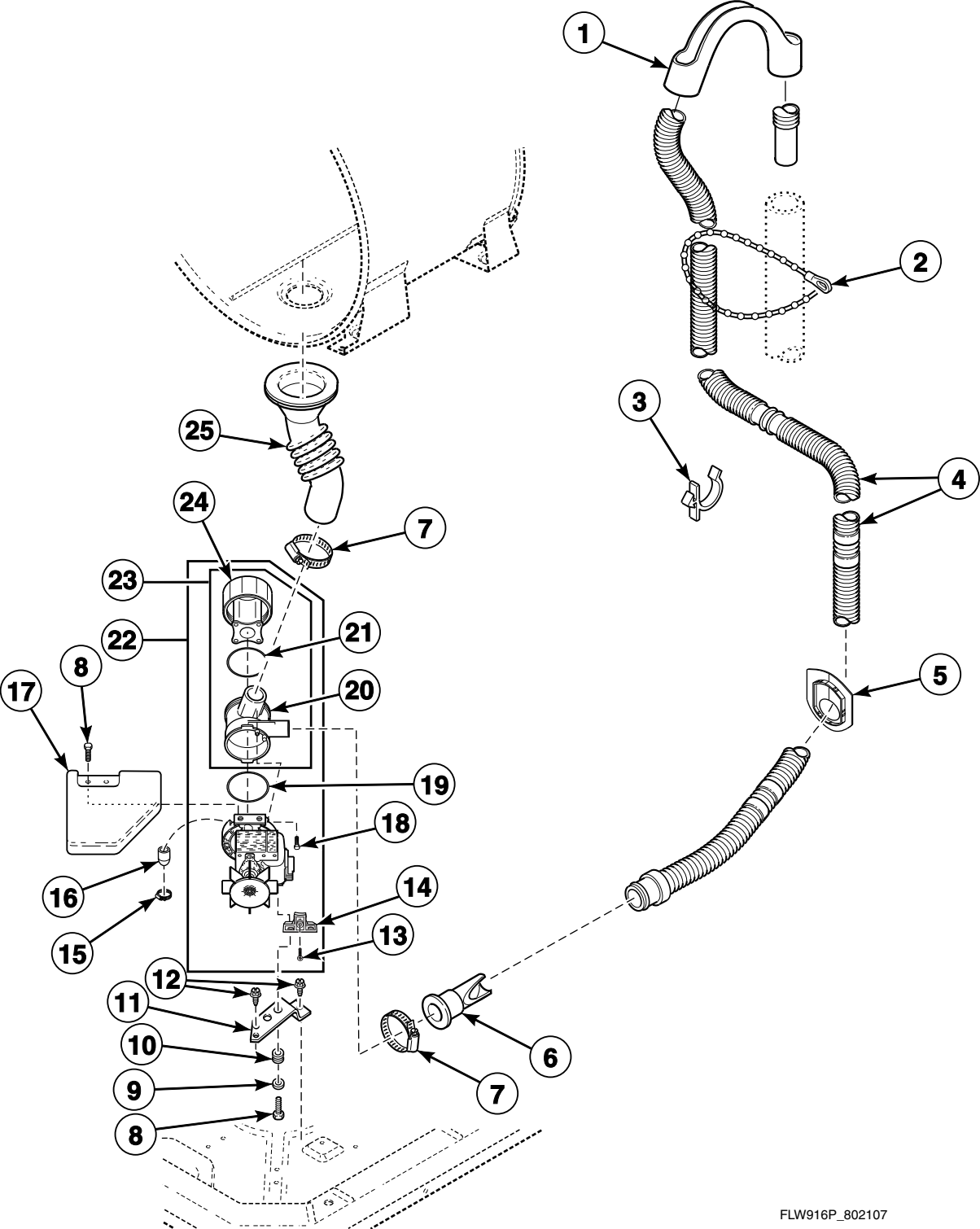


FLW967P_802107

Washer Motor and Belt

REF	PART NO.	DESCRIPTION	COMMENTS
1	503661	Screw	
2	803254P	Inverter Control Assembly	
3	801061	Control Shield	
4	501524	Screw	
5	801526P	Inverter Assembly Kit	Includes items 2-4, 801063 Motor Harness Assembly and wire ties
6	801755	Fuse	Use for inverter control
7	M400057	Screw	
8	02834	Washer	
9	M400080	Washer	
10	800319P	Drive Belt	
11	801684P	Motor and Rod Assembly Kit	Includes 2 each of items 12-14 and 801063 Motor Harness Assembly and wire ties
12	23748	Retaining Ring	
13	52549	Washer	
14	801062	Motor Mount Rod	

Drain Hose and Pump

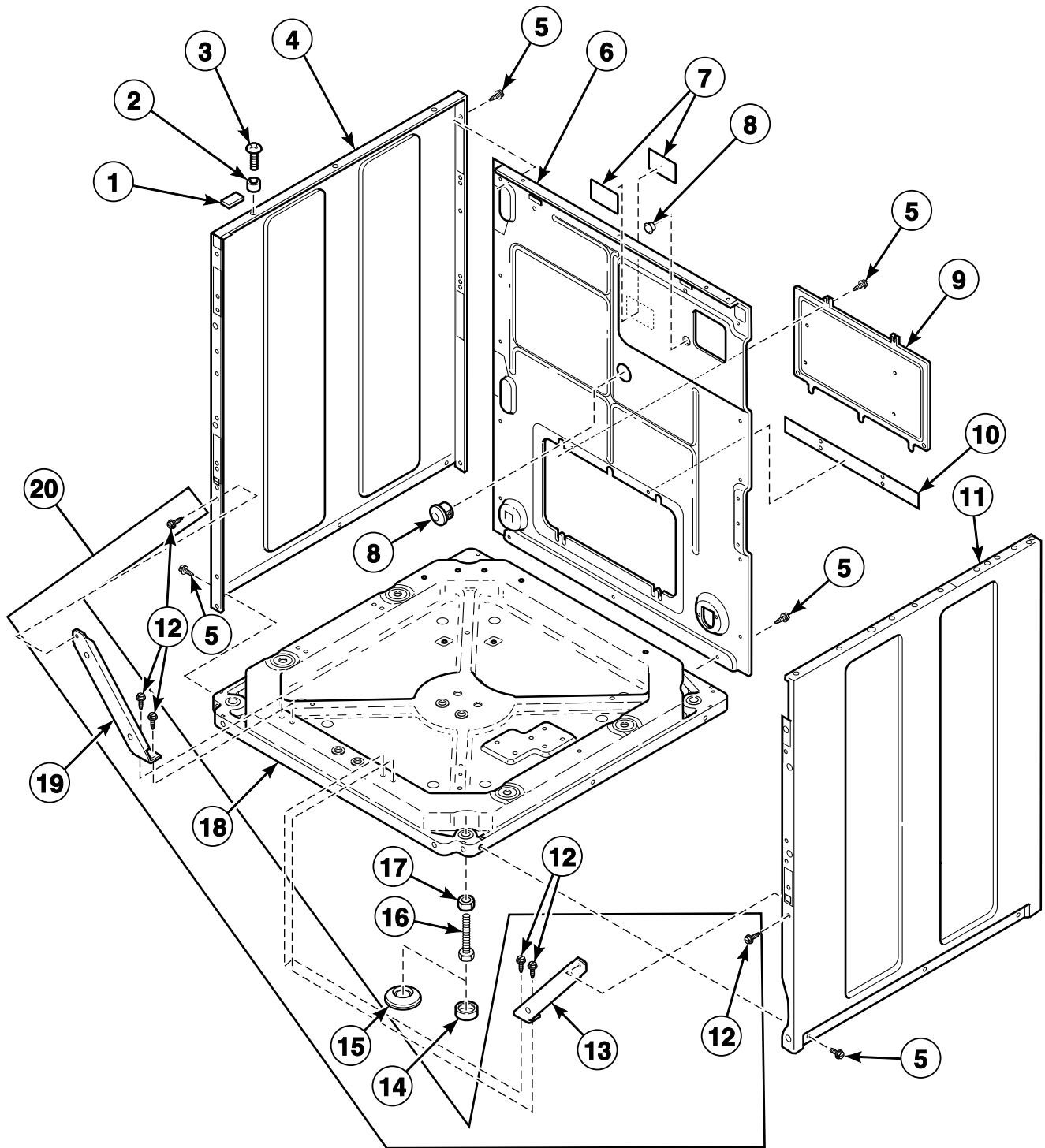


FLW916P_802107

Drain Hose and Pump

REF	PART NO.	DESCRIPTION	COMMENTS
1	33615	Drain Hose Sleeve	
2	33489	Standpipe Strap	
3	36014	Retainer Clip	
4	685730	Drain Hose	
5	32219	Strain Relief	
6	800310	Backflow Preventer	
7	36802	Hose Clamp	
8	38096	Screw	Metric; Use with 685703 Drain Pump
	501285	Screw	Use with 801015 Drain Pump
9	800465	Washer	Use with 685703 and 801015 Drain Pump
10	802218	Grommet	Use with 685703 and 801015 Drain Pump
11	802219	Pump Bracket	Use with 685703 and 801015 Drain Pump
	802626	Pump Mount Bracket	Use with 802623 Drain Pump
12	503661	Screw	
13	802430	Screw	Use with 801015 and 802623 Drain Pump
14	802432	Pump Mount	Use with 801015 Drain Pump
15	F200206	Hose Clamp	Use with 685703 Drain Pump
16	801112	Nozzle Cap	Use with 685703 Drain Pump
17	38067	Pump Shield	Use with 685703 Drain Pump
18	802431	Screw	Use with 801015 and 802623 Drain Pump
19	802487	O-Ring	Use with 685703 Drain Pump
	802429P	O-Ring	Use with 801015 and 802623 Drain Pump
20	801208	Pump Housing	Use with 685703 Drain Pump
	802428	Pump Housing	Use with 801015 and 802623 Drain Pump
21	801207	O-Ring	Use with 685703 Drain Pump
	802427	Gasket	Use with 801015 and 802623 Drain Pump
22	802623P	Drain Pump	Includes pump mount bracket
23	801209	Pump Housing Assembly	Includes items 20, 21 and 24; Use with 685703 Drain Pump
	802434P	Pump Housing Assembly	Includes items 20, 21 and 24; Use with 801015 and 802623 Drain Pump
24	801206P	Lid Assembly	Includes filter; Use with 685703 Drain Pump
	802426P	Lid Assembly	Includes filter; Use with 801015 and 802623 Drain Pump
25	800317	Tub-to-Pump Hose	
	27615P	Sealant	Tub-to-pump hose to outer tub

Washer Base, Panels and Rear Panel

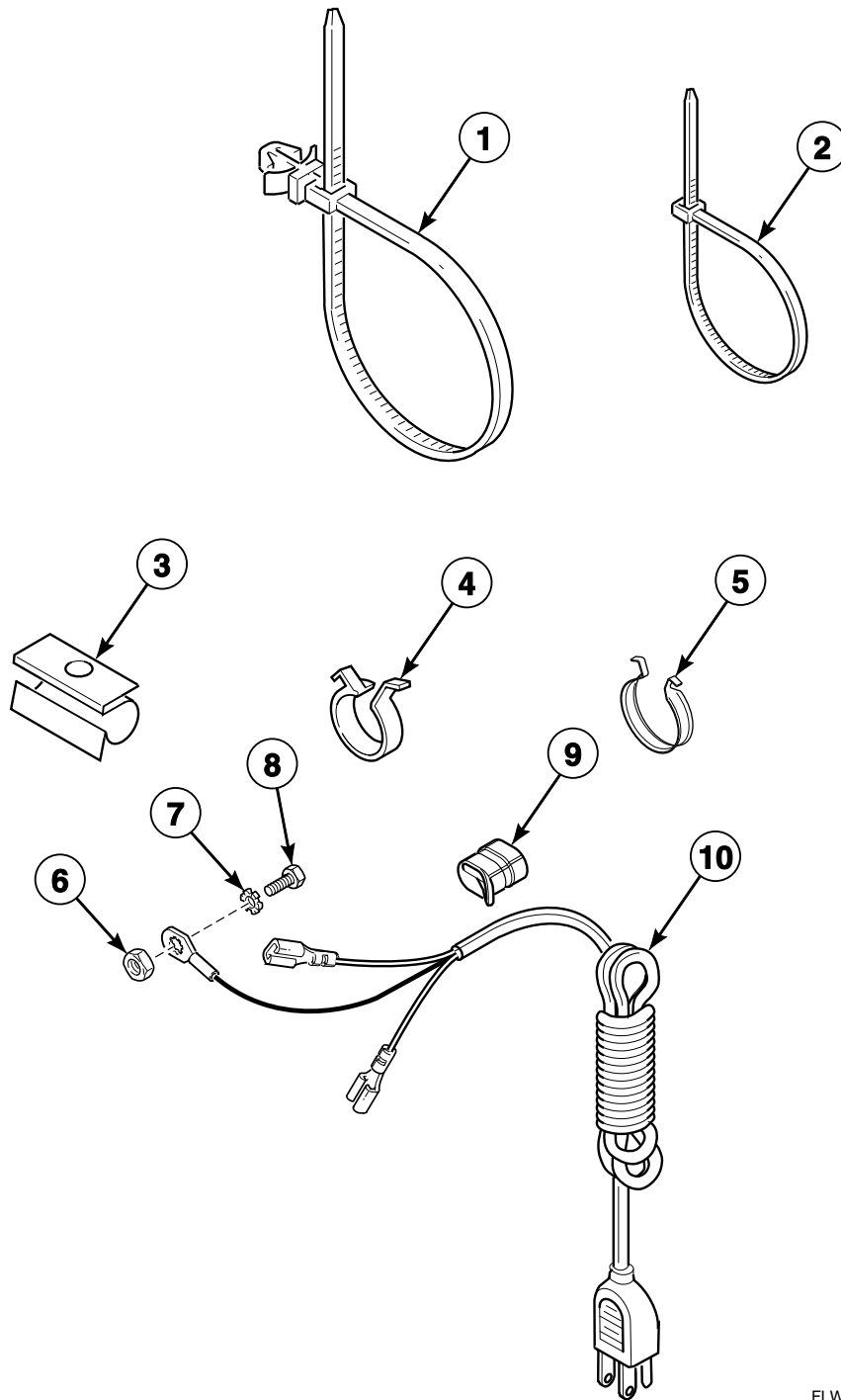


SWD1207P_802107

Washer Base, Panels and Rear Panel

REF	PART NO.	DESCRIPTION	COMMENTS
	122P4P	Porcelain Touch-Up Paint	
1	56128	Bumper Pad	
2	56079	Panel Locator	
3	39733	Screw	
4	800004WP	Cabinet Panel Kit	Left panel; Includes corner gusset with hardware
5	503661	Screw	
6	800010P	Rear Panel	
7	685928	Screw Label	Left hand thread
8	M412154	Hole Plug	
9	800011	Rear Access Panel	
10	801702	Motor Access Hole Edging	
11	800005WP	Side Panel Kit	Right panel; Includes 801024 Dispenser Plate with hardware
12	31645	Screw	
13	801492	Cabinet Brace	Right
14	34318	Rubber Foot	
15	155P3	Anchor	Includes 4 rubber discs with adhesive backing
16	34319	Leveling Leg	
17	21899	Nut	
18	802245	Base Assembly	
19	801491	Cabinet Brace	Left
20	918P3	Brace Kit	Includes items 12, 13 and 19

Washer Lead-In Cord, Wire Ties and Clips

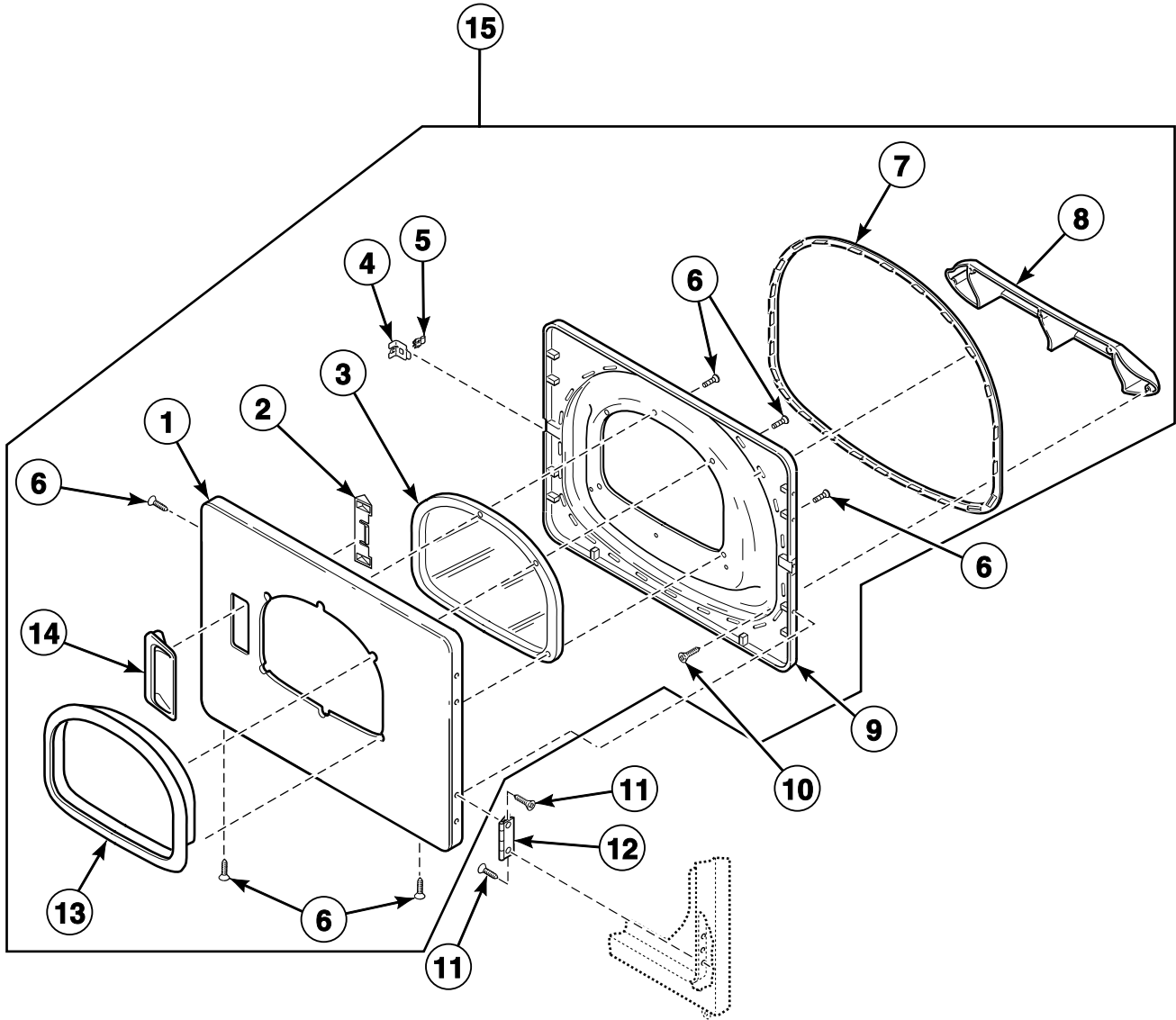


FLW823P_802107

Washer Lead-In Cord, Wire Ties and Clips

REF	PART NO.	DESCRIPTION	COMMENTS
1	38663	Wire Tie	Push mount
2	55881	Harness Strap	
3	36985	Hose Clip	
4	504034	Wire Clip	Small
5	687500	Wire Clip	Large
6	03673	Nut	
7	03815	Washer	
8	685837	Screw	
9	38384	Strain Relief	
10	34458	Lead-In Cord	

Dryer Loading Door

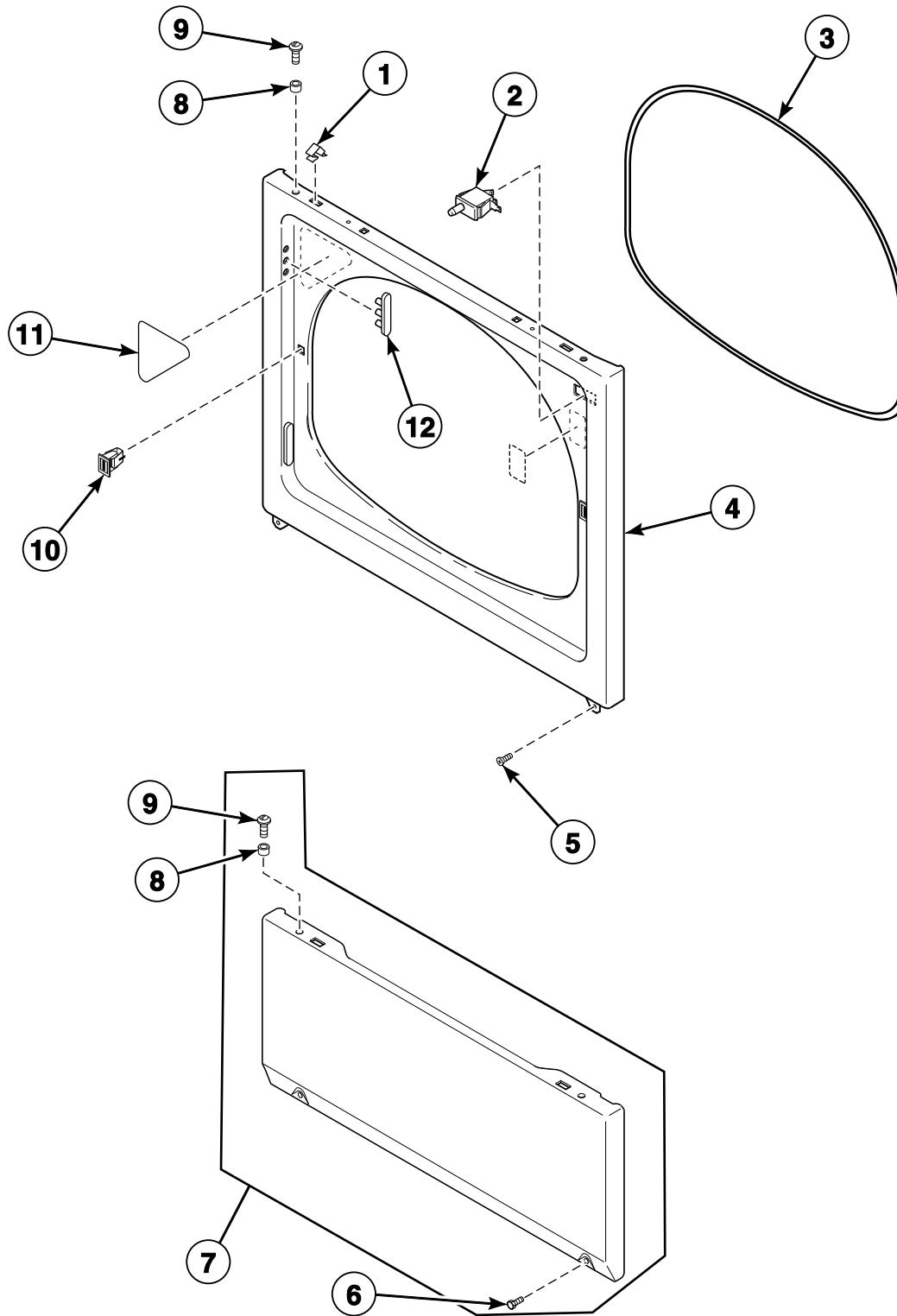


D427P_802107

Dryer Loading Door

REF	PART NO.	DESCRIPTION	COMMENTS
1	510082WP	Dryer Door	
2	510129	Door Handle Wedge	
3	503982P	Dryer Door Window	
4	510127	Door Strike Mount	
5	510181	Door Strike	
6	500226	Screw	
7	510147P	Liner Door Seal	
8	503870W	Door Liner Grill	
9	510098W	Liner and Seal Assembly	Includes item 7
10	505870	Screw	
11	505295	Screw	
12	511036	Hinge	
13	503981W	Window Trim	
14	510103WP	Door Pull and Wedge Kit	Includes item 2
15	511636WP	Door and Liner Assembly	Includes items 1-10, 13 and 14

Dryer Access Panel, Front Panel and Seal

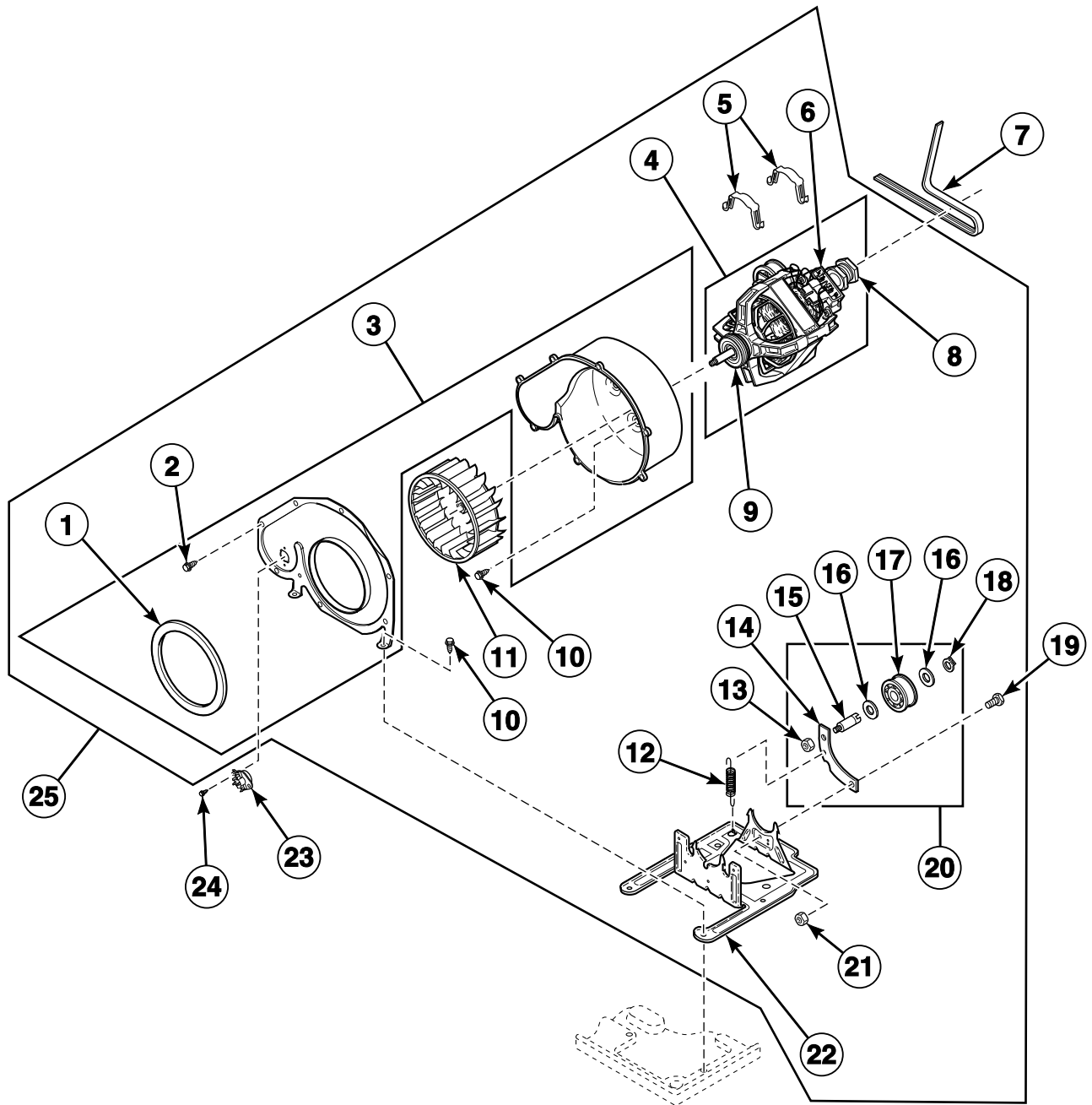


SWD648P_802107

Dryer Access Panel, Front Panel and Seal

REF	PART NO.	DESCRIPTION	COMMENTS
1	28835	Speed Clip	
2	512973	Switch	
3	511056	Front Panel Seal	
4	510066WP	Front Panel	
5	503688	Screw	
6	33562	Screw	
7	514250WP	Access Panel Assembly	
8	56079	Panel Locator	
9	39733	Screw	
10	510177	Door Catch Assembly	
11	500281	Warning/Caution Label	
12	510186	Hinge Hole Plug	

Dryer Motor, Blower Fan and Belt



SWD1227P_802107

Dryer Motor, Blower Fan and Belt

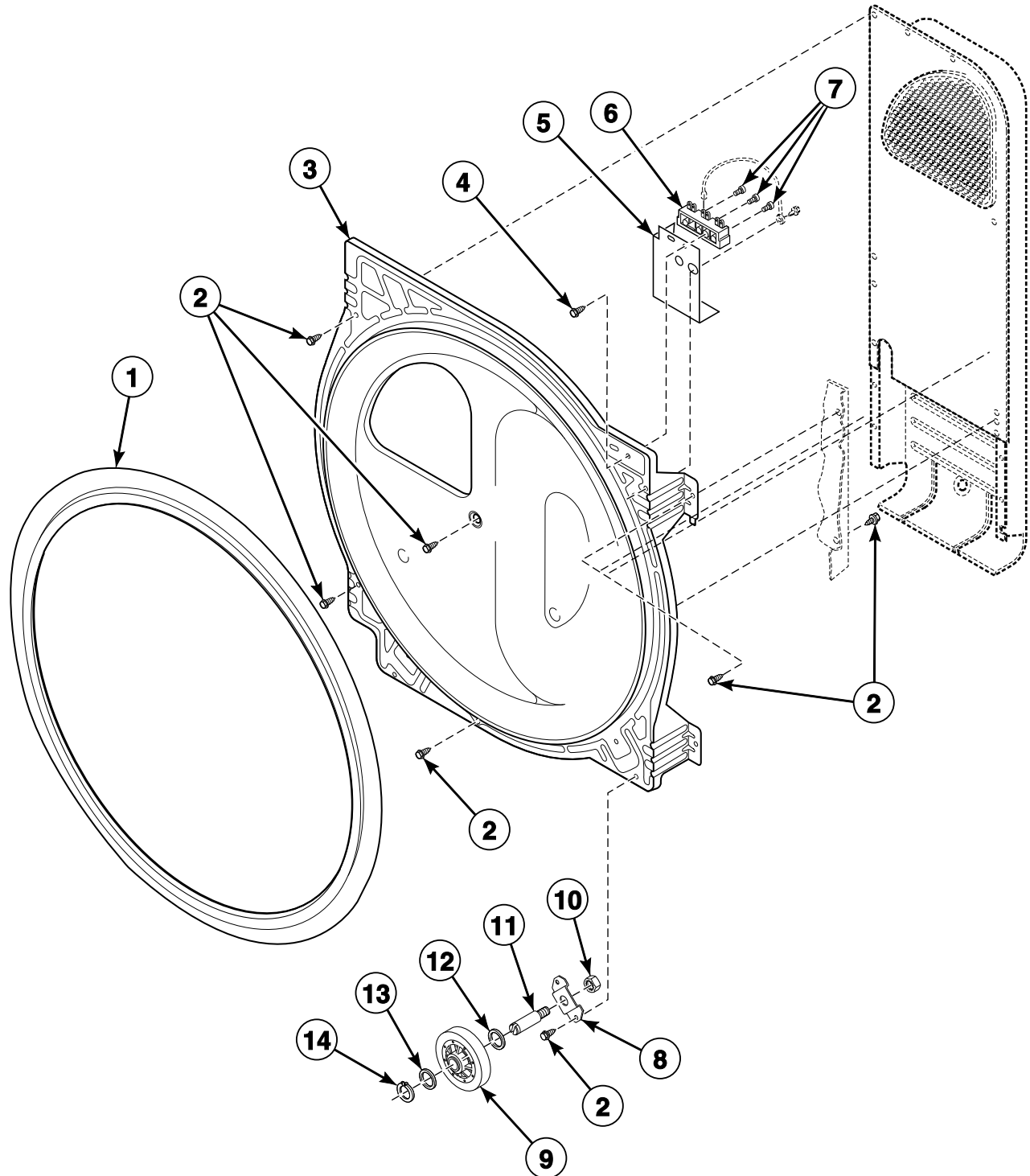
REF	PART NO.	DESCRIPTION	COMMENTS
1	510238P	Blower Housing Seal	
2	31260	Screw	
3	511969WP	Blower Housing	
4	511629P	Motor and Pulley Assembly	120 Volt/60 Hertz; Includes items 6, 8 and 9
5	510180	Motor Mount Clamp	
6	N/A	Motor Switch Kit	Does not include thermal protector
7	511255P	Cylinder Belt	
8	500011	Motor Pulley	
9	590P3	Motor Hub Ring Kit	
10	503688	Screw	
11	510139P	Blower Fan Assembly	
12	510185	Idler Spring	
13	56156	Nut	
14	510133	Idler Lever	
15	56461P	Shaft	
16	52549	Washer	
17	510142P	Idler Wheel and Bearing Assembly	
18	23748	Retaining Ring	
19	500824	Screw	
20	510158	Idler Lever and Wheel Assembly	Includes items 13-18
21	52566	Nut	
22	510060	Motor Mount	
23	504515	Thermostat	Models CTS97AWN and CTS97AWN1500
	510707P	Thermostat	Model CTS99AWN
24	23222	Screw	
25	510717P	Blower and Fan Kit	Includes items 1-6 and 8-22

N/A = Part no longer available

Front Bulkhead, Air Duct, Felt Seal and Cylinder

REF	PART NO.	DESCRIPTION	COMMENTS
1	510266P	Front Bulkhead Assembly	Includes item 2
2	510207P	Cylinder Seal Assembly	
	511637P	Adhesive	Use for cylinder seal
3	510102W	Cylinder Baffle	
4	510265WP	Cylinder Assembly	Includes item 3
5	62588	Screw	
6	510188	Cylinder Glide	
7	510145	Cylinder Glide Bracket	
8	52864	Screw	
9	503688	Screw	
10	510502W	Lint Filter Cover	
11	501285	Screw	
12	510151	Air Duct Assembly	
13	61294	Fuse Notice Label	
14	503980W	Lint Filter	
15	505295	Screw	
16	510189	Felt Pad	

Rear Bulkhead, Felt Seal, Cylinder Roller and Terminal Block



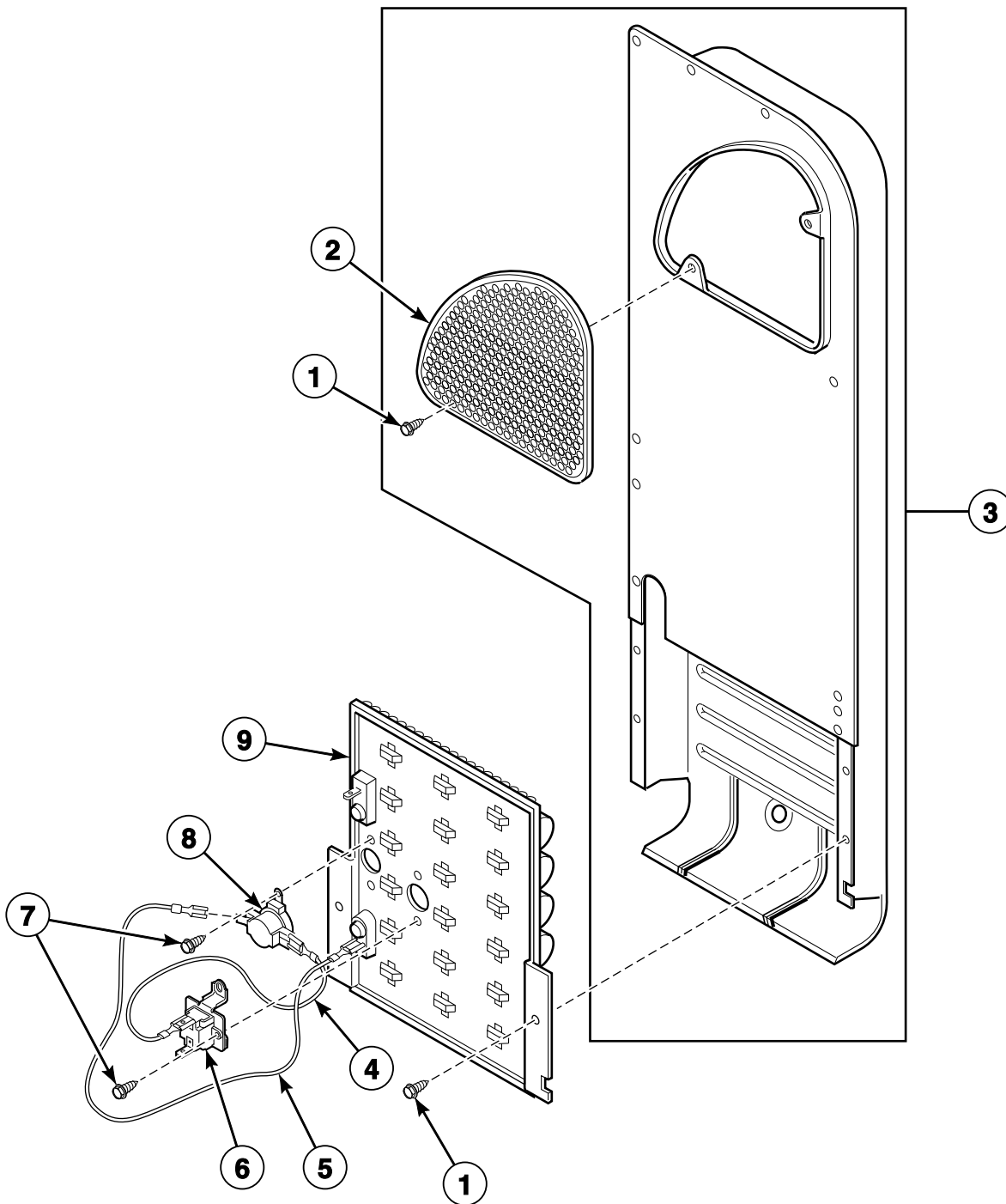
D403P_802107

Rear Bulkhead, Felt Seal, Cylinder Roller and Terminal Block

REF	PART NO.	DESCRIPTION	COMMENTS
1	510207P	Cylinder Seal Assembly	
	511637P	Adhesive	Use for cylinder seal
2	503688	Screw	
3	511082P	Rear Bulkhead Assembly	Includes item 1
4	501285	Screw	Use with item 5; Models CTS97AWN and CTS97AWN1500
5	510237	Terminal Block Shield	Models CTS97AWN and CTS97AWN1500
6	510190P	Terminal Block Assembly	Includes 3 of item 7; Models CTS97AWN and CTS97AWN1500
7	61199	Screw	
8	510100	Cylinder Roller Bracket	
9	510708P	Cylinder Roller	
10	56156	Nut	
11	56461P	Shaft	
12	504082	Washer	
13	52549	Washer	
14	23748	Retaining Ring	

Heater Duct and Element Assembly

Models CTS97AWN and CTS97AWN1500



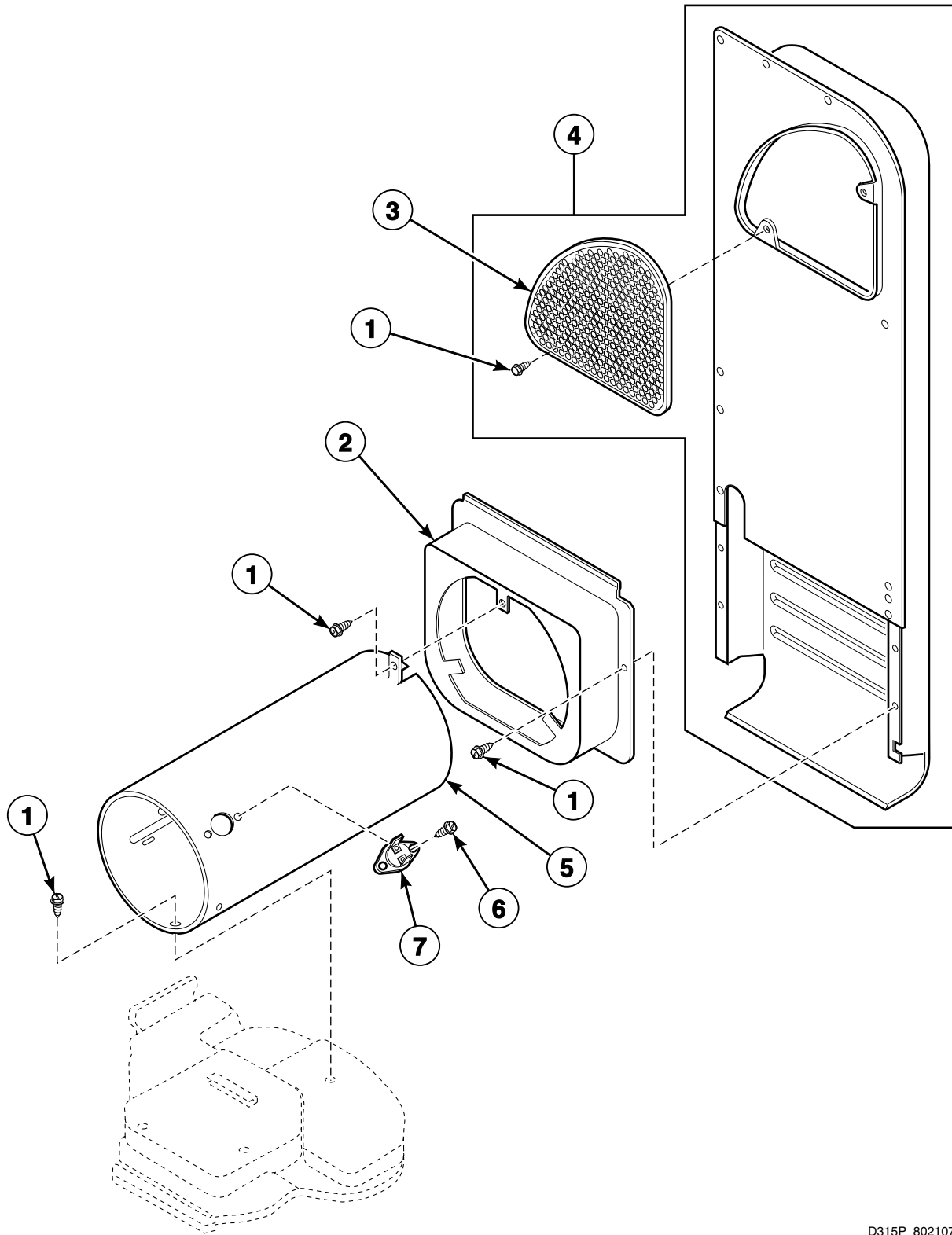
DRY1789P_802107

Heater Duct and Element Assembly

REF	PART NO.	DESCRIPTION	COMMENTS
1	503688	Screw	
2	500820	Outlet Cover	
3	510025P	Heater Duct and Screw Assembly	Includes items 1 and 2
4	510528	Wire Assembly	Orange; Thermostat jumper; Attaches to heater assembly
5	510527	Wire Assembly	Black; Fuse jumper; Attaches to heater assembly
6	511412	Thermal Fuse Assembly	
7	23222	Screw	
8	510701	Limit Thermostat	
9	510329P	Heater Assembly	Model CTS97AWN; 5350 Watt; 240 Volt/60 Hertz
	61928	Heater Kit Assembly	Model CTS97AWN; 4750 Watt; 208 Volt/60 Hertz
	510325P	Heater	Model CTS97AWN1500; 4750 Watt; 208 Volt/60 Hertz

Heater Duct Assembly

Model CTS99AWN



D315P_802107

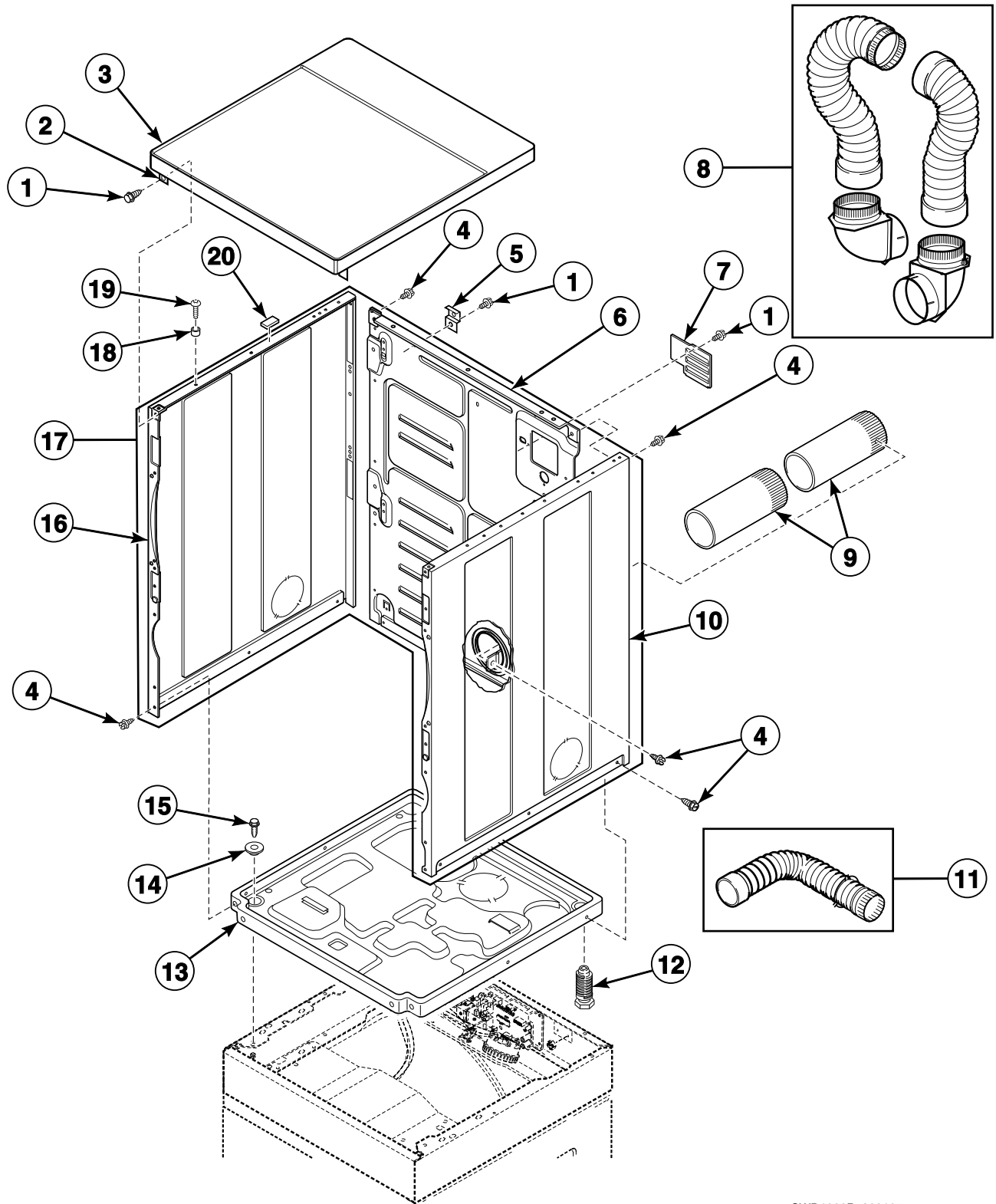
Heater Duct Assembly

REF	PART NO.	DESCRIPTION	COMMENTS
1	503688	Screw	
2	510101	Heat Duct Shroud	
3	500820	Outlet Cover	
4	510025P	Heater Duct and Screw Assembly	Includes items 1 and 3
5	510131	Combustion Duct	
6	51782	Screw	
7	510702	Limit Thermostat	Color code "black"

Gas Valve, Igniter and Gas Conversion Kits

REF	PART NO.	DESCRIPTION	COMMENTS
1	510204	Lead-In Pipe Assembly	
2	51782	Screw	
3	510184P	Igniter and Bracket Assembly	
4	23222	Screw	
5	510213	Sensor	
6	503688	Screw	
7	510149P	Burner Assembly	
8	649P3	L.P. Conversion Kit	Used to convert dryers from Natural Gas (N.G.) or Mixed Gas to Liquid Petroleum Gas (L.P.); 22,500 Btu
9	650P3	N.G. Conversion Kit	Used to convert dryers from L.P. to N.G. or Mixed Gas; 22,500 Btu
10	58804B	Secondary Coil	
11	510506P	Gas Valve Assembly	60 Hertz; 22,500 Btu; Includes items 8 and 12
12	56124	Screw	
13	510128	Gas Valve Mounting Bracket	
14	58804A	Booster and Holding Coil	
15	510205	Elbow Shut-Off Valve	

Dryer Cabinet, Exhaust Duct and Base



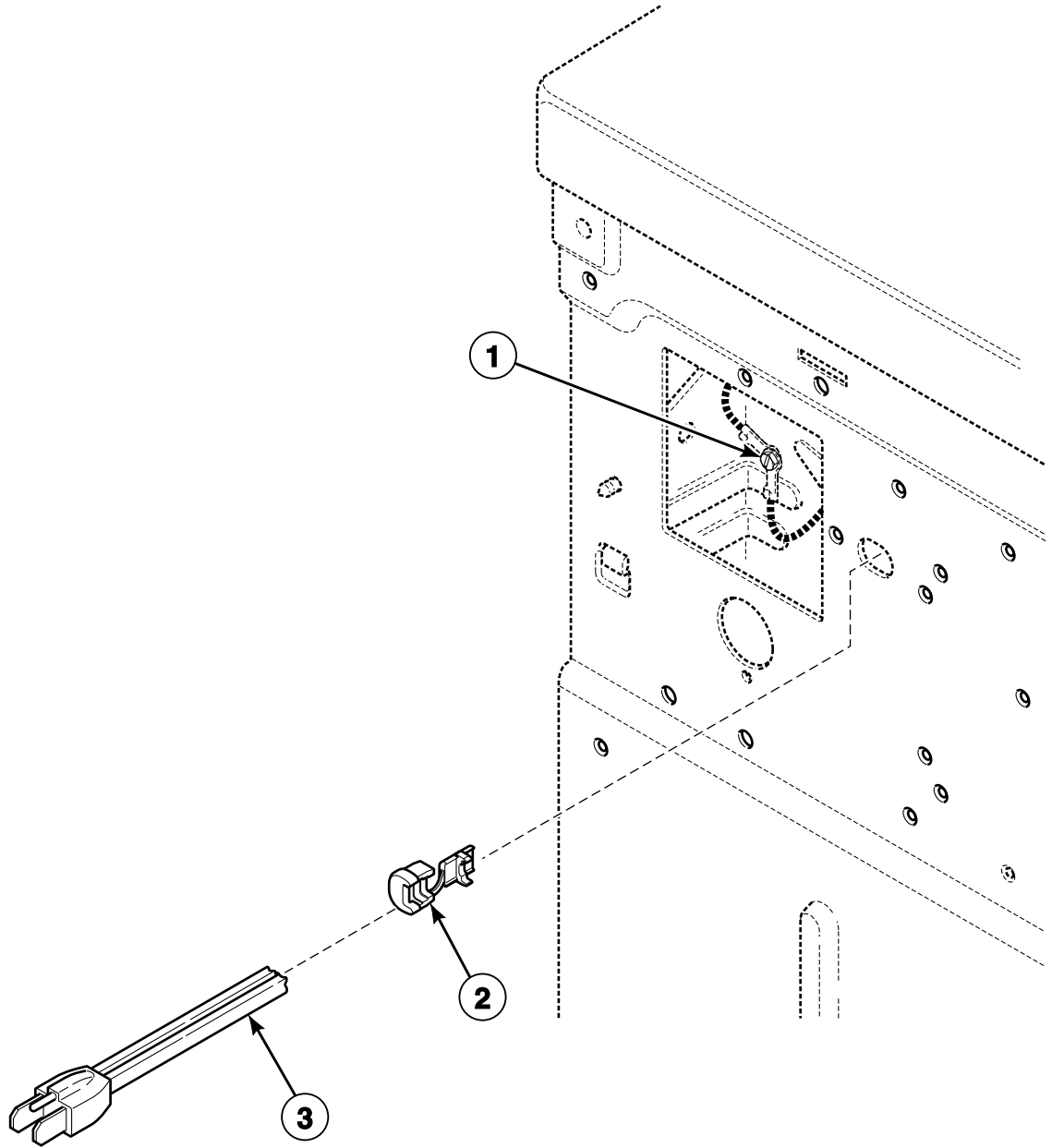
SWD1229P_802107

Dryer Cabinet, Exhaust Duct and Base

REF	PART NO.	DESCRIPTION	COMMENTS
	122P4P	Porcelain Touch-Up Paint	
1	503661	Screw	
2	510146	Bracket	
3	510032WP	Top Kit	
4	503688	Screw	
5	510136	Top Hinge	
6	510005P	Cabinet Rear Panel	
7	510903	Access Panel Plate	
8	521P3	Flexible Venting Kit	
9	510137	Exhaust Duct	Each dryer requires 2 pieces
10	510002WP	Cabinet Side Panel	Right
11	528P3	Directional Exhaust Kit	Used to vent dryer out the sides
12	510135	Leveling Leg	
13	513901	Dryer Base	
14	26509	Washer	
15	502431	Screw	
16	510001WP	Cabinet Side Panel	Left
17	727P3W	Panel Kit	Replaces the 1 piece wrap-around cabinet; Includes items 6, 10, 16 and the necessary attaching hardware
18	56079	Panel Locator	
19	39733	Screw	
20	56128	Bumper Pad	

Dryer Lead-In Cord

Model CTS99AWN

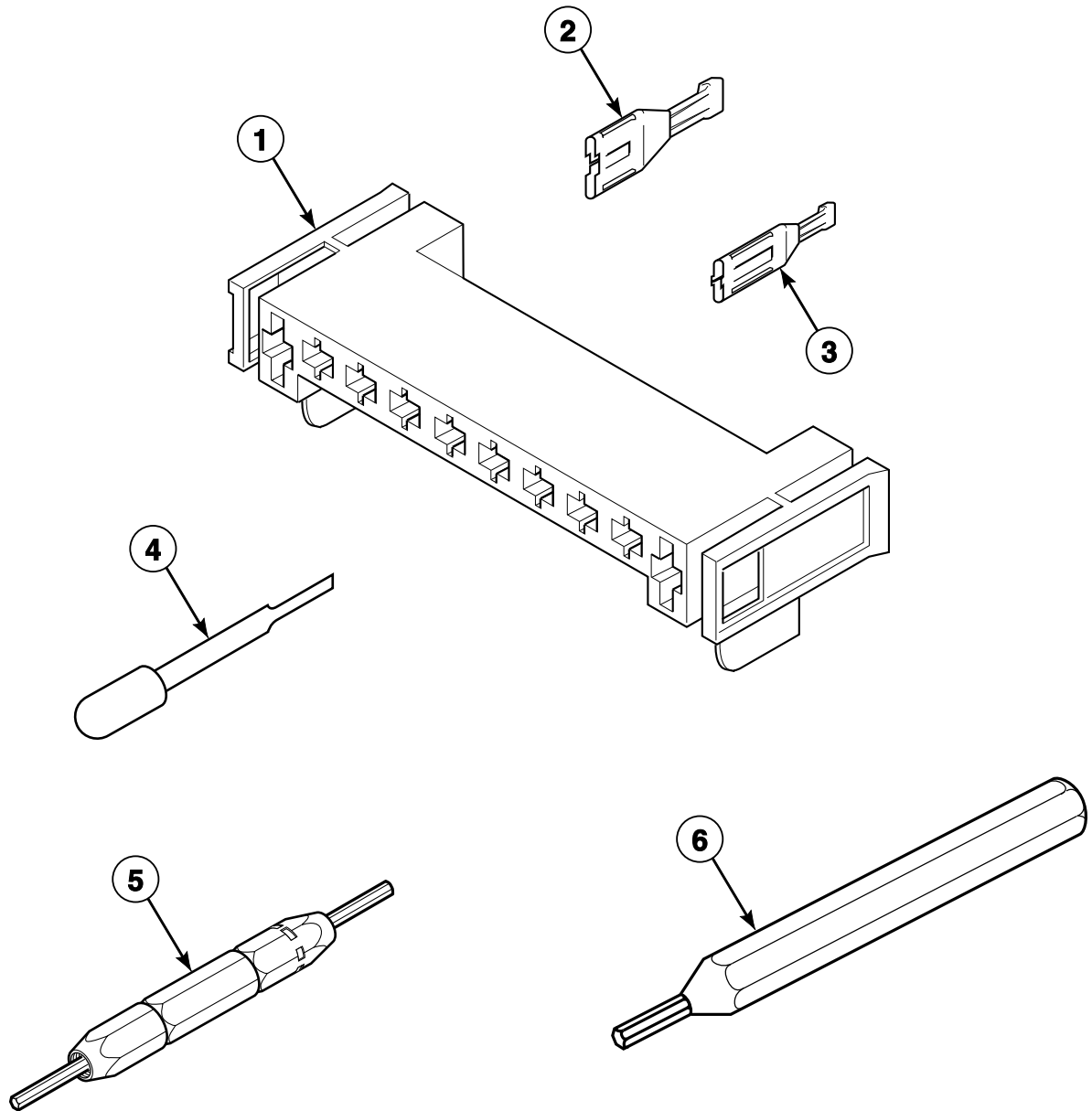


SWD1237P_802107

Dryer Lead-In Cord

REF	PART NO.	DESCRIPTION	COMMENTS
1	20530	Screw	
2	38384	Strain Relief	
3	59308	Lead-In Cord	

Dryer Motor Connection Block, Terminal Extractor Tools

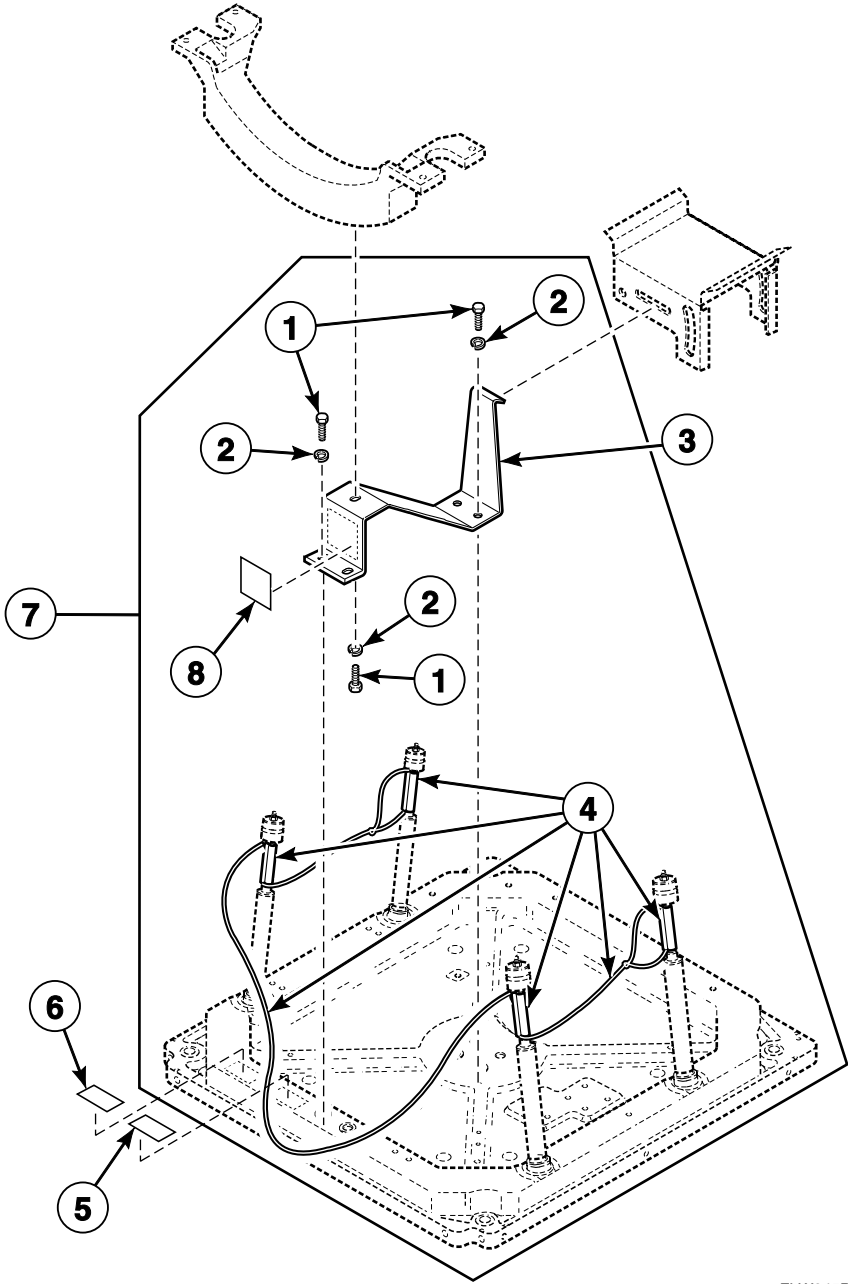


DRY1767P_802107

Dryer Motor Connection Block, Terminal Extractor Tools

REF	PART NO.	DESCRIPTION	COMMENTS
1	500338	10 Position Housing	Molex; 10 circuit
2	00255	Female Terminal	1/4 inch; For (1) 12 gauge wire; Models CTS97AWN and CTS97AWN1500
	00256	Female Terminal	1/4 inch; For (1) or (2) 18 gauge wires; Model CTS99AWN
3	00188	Female Terminal	For 1 or 2 wire applications
4	283P4	Terminal Extractor Tool	For use on Molex connectors
5	190P4	Extractor Tool	For use on electric dryer terminals; Models CTS97AWN and CTS97AWN1500
6	128P4	Extractor Tool	For use on gas dryer terminals; Model CTS99AWN

Shipping Materials

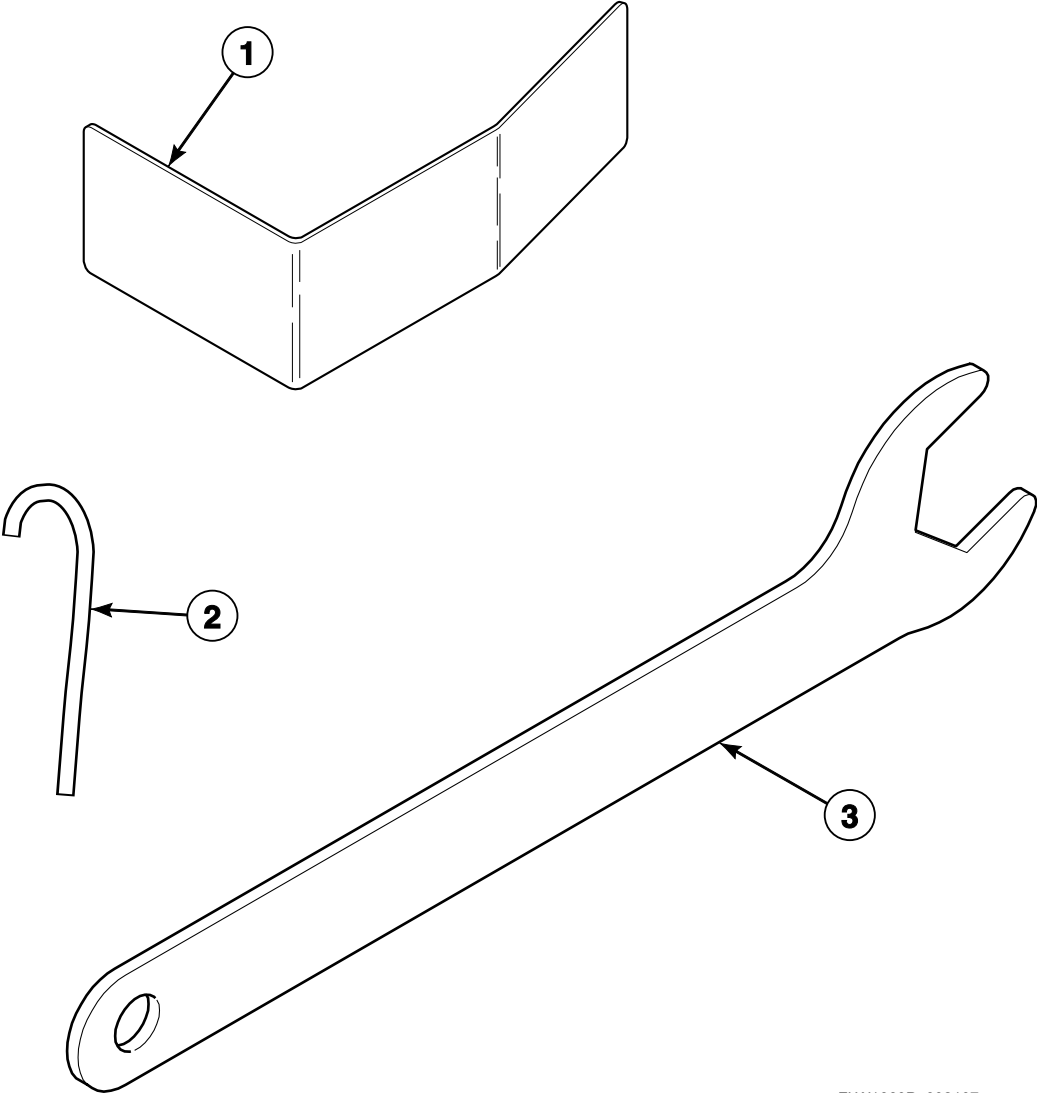


FLW845P_802107

Shipping Materials

REF	PART NO.	DESCRIPTION	COMMENTS
1	M400043	Screw	
2	M400014	Washer	
3	802890	Shipping Bracket	
4	800364P	Shipping Cord and Brace Assembly	
5	800632	Warning Label	Non-grounded
6	500049	Warning Label	
7	728P3	Shipping Materials Kit	Includes items 1-4 and 7
8	686901	Shipping Bracket Label	

Special Tools

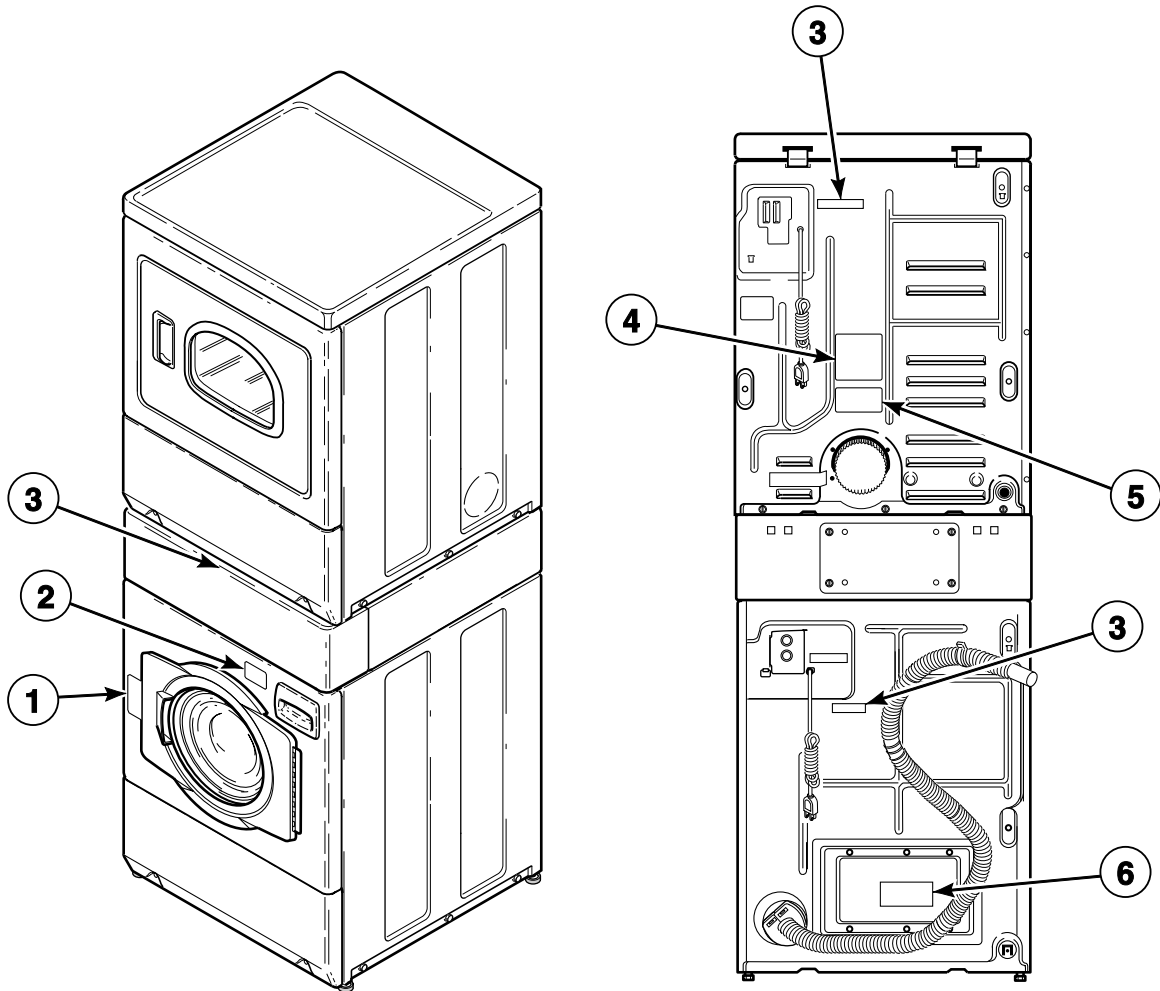


FLW1660P_802107

Special Tools

REF	PART NO.	DESCRIPTION	COMMENTS
1	318P4	Dispenser Drawer Tool	Use to remove dispenser drawer
2	802336	Pulley Bolt Tightening Fixture	Use to install inner basket
3	392P4	Wrench	Use to adjust leveling legs

Labels

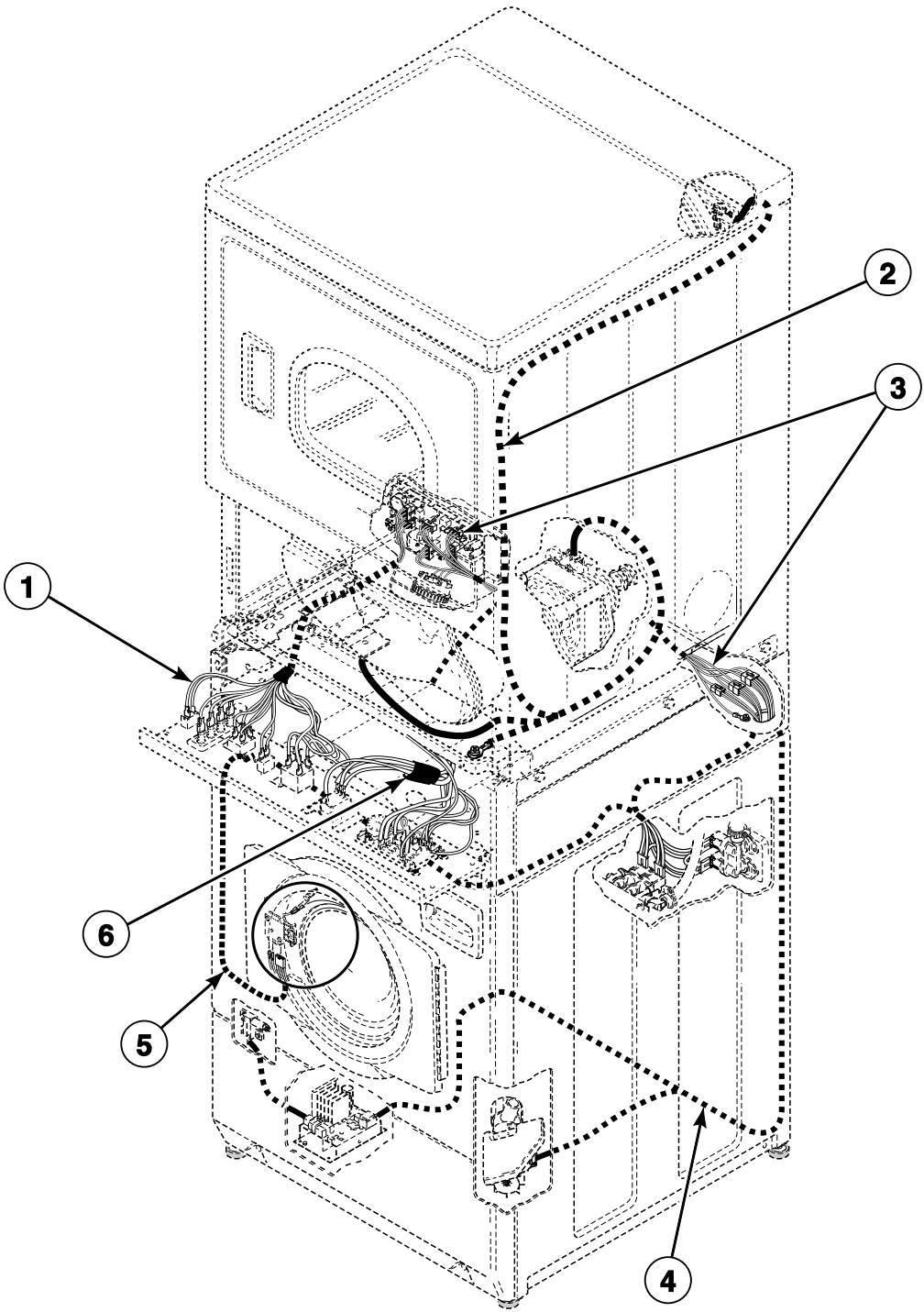


SWD1156P_802107

Labels

REF	PART NO.	DESCRIPTION	COMMENTS
1	685947	Door Locked Label	
2	802074	Oversudsing Label	
3	505281	Disconnect Power Warning Label	
4	502791	Venting Instruction Label	
5	500497	Exhaust Warning Label	
6	500049	Warning Label	

Wire Harnesses and Wires



SWD1161P_802107

Wire Harnesses and Wires

REF	PART NO.	DESCRIPTION	COMMENTS
	45001	18 Gauge Wire	Black; Order wire by foot and terminals as required
	45380	12 Gauge Wire	Orange; Order wire by foot and terminals as required
1	801326P	Control Panel Harness Assembly	
2	511322P	Upper Harness Assembly	Models CTS97AWN and CTS97AWN1500
	511325P	Upper Harness Assembly	Model CTS99AWN
3	801324P	Control Harness Assembly	
4	801063P	Motor Harness Assembly	
5	800590P	Base Harness Assembly	
6	511324P	Security Cabinet Harness	Models CTS97AWN and CTS97AWN1500
	511323	Security Cabinet Harness Assembly	Model CTS99AWN

NOTE: Individual wires are not available separately. Order complete harness, or order wire by the foot. When applying terminals to wires, it is recommended that the terminals be soldered to the wires.

Parts Index

A

Access Panel Assembly 514250WP	7, 27
Access Panel Damper 685368	7
Access Panel Plate 510903	41
Adhesive 511637P	31, 33
Air Duct Assembly 510151	31
Anchor 155P3	21
Anti-Seize Compound 27604P	15

B

Backflow Preventer 34500	9, 11
800310	19
Ballast Weight 800205	13
Base Assembly 802245	21
Base Harness Assembly 800590P	53
Base Shock Absorber Kit 800623P	13
Bearing Housing Kit 800428P	15
Blower and Fan Kit 510717P	29
Blower Fan Assembly 510139P	29
Blower Housing 511969WP	29
Blower Housing Seal 510238P	29
Booster and Holding Coil 58804A	39
Brace Kit 918P3	21
Bracket 510146	41
Bumper Pad 56128	21, 41
Burner Assembly 510149P	39

C

Cabinet Brace 801491	21
801492	21

Cabinet Panel Kit 800004WP	21
Cabinet Rear Panel 510005P	41
Cabinet Side Panel 510001WP	41
510002WP	41
Cap 801746	9
Clamp Ring 800312	13
Combustion Duct 510131	37
Control Access Door 801373	5
Control Assembly 802523P	5
Control Cabinet Bottom 801777	5
Control Harness Assembly 801324P	53
Control Panel Assembly 802101W	5
Control Panel Harness Assembly 801326P	53
Control Shield 801061	17
801371	5
801372	5
Cycle Switch 801240	5
Cylinder Assembly 510265WP	31
Cylinder Baffle 510102W	31
Cylinder Belt 511255P	29
Cylinder Glide 510188	31
Cylinder Glide Bracket 510145	31
Cylinder Roller 510708P	33
Cylinder Roller Bracket 510100	33
Cylinder Seal Assembly 510207P	31, 33

D

Detergent Cover 800899	9
Directional Exhaust Kit 528P3	41
Disconnect Power Warning Label 505281	51
Dispenser 685756P	9

N/A items do not appear in index.

Dispenser Assembly 801476P.....	9
Dispenser Drawer 685757P.....	9
Dispenser Drawer Front 685715WP.....	9
Dispenser Drawer Tool 318P4.....	49
Dispenser Plate 801024.....	9
Dispenser-to-Tub Hose 800331.....	9
Door and Liner Assembly 511636WP.....	25
Door Assembly 801928WP.....	7
Door Catch Assembly 510177.....	27
Door Glass 800343P.....	7
Door Handle Wedge 510129.....	25
Door Hinge 802934.....	7
Door Latch/Switch Assembly 685429.....	7
Door Liner Grill 503870W.....	25
Door Locked Label 685947.....	51
Door Pull and Wedge Kit 510103WP.....	25
Door Seal and Hose Assembly 801784.....	9
Door Seal and Hose Assembly Kit 800232P.....	7, 9
801784P.....	7
Door Seal Clamp 685743P.....	7
Door Strike 510181.....	25
Door Strike Mount 510127.....	25
Door Switch 800211.....	7
Drain Hose 685730.....	19
Drain Hose Sleeve 33615.....	19
Drain Pump 802623P.....	19
Drive Belt 800319P.....	17
Driven Pulley 800866.....	15
Dryer Base 513901.....	41
Dryer Door 510082WP.....	25
Dryer Door Window 503982P.....	25

E

Elbow Shut-Off Valve 510205.....	39
Exhaust Duct 510137.....	41
Exhaust Warning Label 500497.....	51
Expansion Clip 70030501.....	5
Extension Spring 800346.....	7
Extractor Tool 128P4.....	45
190P4.....	45

F

Fabric Selector Switch 513505.....	5
Felt Pad 510189.....	31
Female Terminal 00188.....	45
00255.....	45
00256.....	45
Fill Hose 20617.....	11
20618.....	11
Flexible Venting Kit 521P3.....	41
Front Bulkhead Assembly 510266P.....	31
Front Panel 510066WP.....	27
800336WP.....	7
Front Panel Seal 511056.....	27
Fuse 801755.....	17
Fuse Notice Label 61294.....	31

G

Gas Valve Assembly 510506P.....	39
Gas Valve Mounting Bracket 510128.....	39
Gasket 802427.....	19
Graphic Overlay 802184.....	5
Grommet 29175.....	13
802218.....	19
Grounding Clip 00161.....	13

N/A items do not appear in index.

H

Hardware Kit 838P3	15
Harness Strap 55881	7, 9, 23
Heat Duct Shroud 510101	37
Heater 510325P	35
Heater Assembly 510329P	35
Heater Duct and Screw Assembly 510025P	35, 37
Heater Kit Assembly 61928	35
Hinge 511036	25
Hinge Hole Plug 510186	27
Hinge Plate 802412	7
Hold-Down Clip 800906	7
Hole Plug M412154	21
Hose Clamp F200206	9, 19
36802	19
39282	13
685725	9
800803	7
802164	9, 11
Hose Clip 36985	5, 23
800553	15
Hose Mounting Plate 800552	15
Housing, 10 Position 500338	45

I

Idler Lever 510133	29
Idler Lever and Wheel Assembly 510158	29
Idler Spring 510185	29
Idler Wheel and Bearing Assembly 510142P	29
Igniter and Bracket Assembly 510184P	39
Inner Basket Assembly 800429P	15
803007P	15
Inner Door Bezel 801903	7
Insert 685716	9
Inverter Assembly Kit 801526P	17

Inverter Control Assembly 803254P	17
--	----

K

Knob Assembly 36701W	5
-------------------------------	---

L

Lead-In Cord 34458	23
59308	43
Lead-In Pipe Assembly 510204	39
Left Control Cabinet Side 800900WP	5
Leveling Leg 34319	21
510135	41
Lid Assembly 801206P	19
802426P	19
Light 801431	5
Limit Thermostat 510701	35
510702	37
Liner and Seal Assembly 510098W	25
Liner Door Seal 510147P	25
Lint Filter 503980W	31
Lint Filter Cover 510502W	31
Locking Catch 685430	7
L.P. Conversion Kit 649P3	39

M

Mixing Valve 802220P	11
Mixing Valve Plate 800323	11
Mixing Valve Screen 802926	11
Motor Access Hole Edging 801702	21
Motor and Pulley Assembly 511629P	29
Motor and Rod Assembly Kit 801684P	17
Motor Harness Assembly 801063P	53
Motor Hub Ring Kit 590P3	29

N/A items do not appear in index.

Motor Mount	
510060	29
Motor Mount Clamp	
510180	29
Motor Mount Rod	
801062	17
Motor Pulley	
500011	29

N

Nozzle Cap	
801112	19
Nut	
F430218	13
03673	23
21899	21
23951	7
36020	7
52566	29
56156	29, 33
685844	15
800452	13, 15
800931	5
801994	7
N.G. Conversion Kit	
650P3	39

O

O-Ring	
801207	19
802429P	19
802487	19
Outer Door Bezel	
801904W	7
Outer Tub Assembly	
801081P	13
Outlet Cover	
500820	35, 37
Out-of-Balance Switch Assembly	
801006	13
Oversudsing Label	
802074	51

P

Panel Kit	
727P3W	41
Panel Locator	
56079	7, 21, 27, 41
Pop Rivet	
685847	15
Porcelain Touch-Up Paint	
122P4P	21, 41
Pressure Bulb	
30907	13
Pressure Switch	
800468P	5
Pulley Bolt Tightening Fixture	
802336	49

Pump Bracket	
802219	19
Pump Housing	
801208	19
802428	19
Pump Housing Assembly	
801209	19
802434P	19
Pump Mount	
802432	19
Pump Mount Bracket	
802626	19
Pump Shield	
38067	19
Push-to-Start Switch	
801434W	5

R

Rear Access Panel	
800011	21
Rear Bulkhead Assembly	
511082P	33
Rear Control Cabinet	
801058	5
Rear Panel	
800010P	21
Resistor Assembly	
511277	5
Retainer Clip	
36014	19
Retaining Ring	
23748	17, 29, 33
Right Control Cabinet Side	
800915W	5
Rocker Switch	
38424W	5
Rubber Foot	
34318	21

S

Screw	
M400043	15, 47
M400057	17
20530	43
23222	29, 35, 39
31260	29
31645	21
33562	27
38096	19
39733	7, 21, 27, 41
430497	5
500226	25
500824	29
501086	5, 11
501285	19, 31, 33
501524	5, 17
502431	41
503661	5, 7, 11, 13, 17, 19, 21, 41
503688	27, 29, 31, 33, 35, 37, 39, 41
505295	25, 31
505870	25

N/A items do not appear in index.

51782	37, 39
52864	31
56124	39
61199	33
62588	31
685831	15
685837	23
800461	13
800462	13, 15
800548	7, 9
800930	5
801001	9
801019	7
801045	7
801993	7
802430	19
802431	19
Screw Label	
685928	21
Sealant	
27615P	19
Secondary Coil	
58804B	39
Security Cabinet Harness	
511324P	53
Security Cabinet Harness Assembly	
511323	53
Sensor	
510213	39
Shaft	
56461P	29, 33
Shipping Bracket	
802890	47
Shipping Bracket Label	
686901	47
Shipping Cord and Brace Assembly	
800364P	47
Shipping Materials Kit	
728P3	47
Side Panel Kit	
800005WP	21
Snap Bushing	
M402542	5
Speed Clip	
28835	27
Standpipe Strap	
33489	19
Strain Relief	
32219	19
38384	23, 43
Switch	
512973	27
Switch Mounting Bracket	
800663	13

T	
Temperature Switch	
687542	5
Tension Rod Assembly	
800666	15
Terminal Block Assembly	
510190P	33

Terminal Block Shield	
510237	33
Terminal Extractor Tool	
283P4	45
Thermal Fuse Assembly	
511412	35
Thermostat	
504515	29
510707P	29
Timer	
505794P	5
Timer and Harness Kit	
505797P	5
Timer Knob Assembly	
512117W	5
Top Hinge	
510136	41
Top Kit	
510032WP	41
Transformer	
210018P	5
Trunnion Shaft and Hardware Kit	
800749P	15
Tub Front Assembly	
800430	13
Tub Front Seal	
800432P	13, 15
Tub Shock Absorber Kit	
800622P	13
Tubing	
800648P	13
Tub-to-Pump Hose	
800317	19

U

Upper Harness Assembly	
511322P	53
511325P	53

V

Valve Kit	
685766P	9
Valve-to-Dispenser Inlet Hose	
801464	9, 11
Venting Instruction Label	
502791	51

W

Warning Label	
500049	13, 47, 51
800632	47
Warning/Caution Label	
500281	27
Washer	
M400014	47
M400080	17
M400081	13

N/A items do not appear in index.

M403958	15
02834	17
03815	23
20290	11
26509	41
504082	33
52549	17, 29, 33
800457	13, 15
800464	15
800465	19
802254	11
803615	11
Water Hose	
F200116	11
Window Trim	
503981W	25
Wire Assembly	
510527	35
510528	35
Wire Clamp	
800811	13
Wire Clamp Ring	
800438	7
Wire Clip	
504034	23
687500	9, 23
Wire Tie	
38663	23
Wire, 12 Gauge	
45380	53
Wire, 18 Gauge	
45001	53
Wrench	
392P4	49
