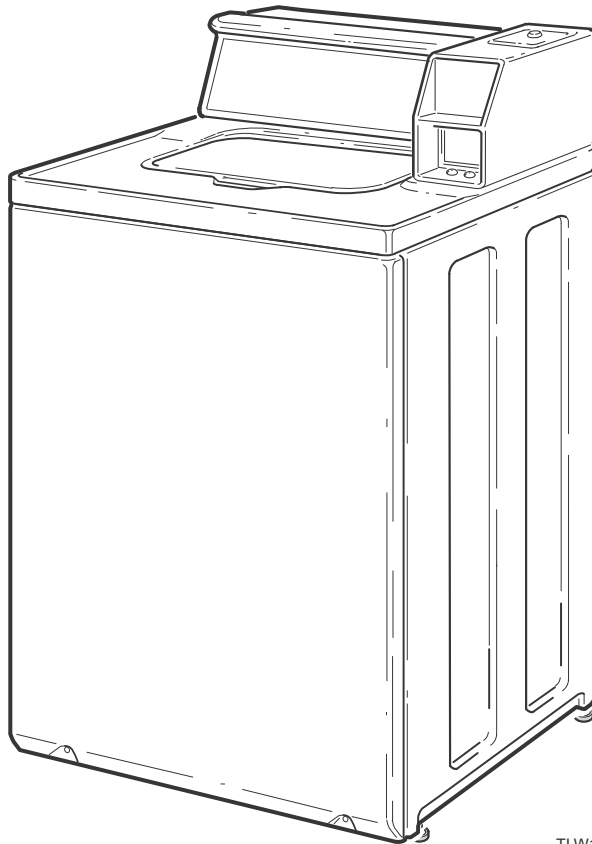


Commercial Topload Washers

Metered and Nonmetered
Refer to Page 5 for Model Numbers



TLW13C_202731

Table of Contents

| Title | Page |
|--|------|
| Parts Ordering Information..... | 3 |
| Serial Plate Location | 3 |
| Model Identification | 5 |
| Coin Slide Extension, Meter Case and Control..... | 6 |
| Meter Case | 8 |
| Non-Electronic Coin Drop | 10 |
| Electronic Coin Drop | 12 |
| Control Panel, Control Hood and Controls (Drawing 1 of 12) | 14 |
| Control Panel, Control Hood and Controls (Drawing 2 of 12) | 16 |
| Control Panel, Control Hood and Controls (Drawing 3 of 12) | 18 |
| Control Panel, Control Hood and Controls (Drawing 4 of 12) | 20 |
| Control Panel, Control Hood and Controls (Drawing 5 of 12) | 22 |
| Control Panel, Control Hood and Controls (Drawing 6 of 12) | 24 |
| Control Panel, Control Hood and Controls (Drawing 7 of 12) | 26 |
| Control Panel, Control Hood and Controls (Drawing 8 of 12) | 28 |
| Control Panel, Control Hood and Controls (Drawing 9 of 12) | 30 |
| Control Panel, Control Hood and Controls (Drawing 10 of 12) | 32 |
| Control Panel, Control Hood and Controls (Drawing 11 of 12) | 34 |
| Control Panel, Control Hood and Controls (Drawing 12 of 12) | 36 |
| Lid | 38 |
| Cabinet Top | 40 |
| Lid, Lid Lock and Cabinet Top | 42 |
| Lid Switch..... | 44 |
| Mixing Valve-to-Tub Cover Hose and Mixing Valve..... | 46 |
| Fill Hose | 48 |
| Motor, Belt, Pump and Idler Assembly (Drawing 1 of 3) | 50 |
| Motor, Belt, Pump and Idler Assembly (Drawing 2 of 3) | 52 |
| Motor, Belt, Pump and Idler Assembly (Drawing 3 of 3) | 54 |
| Idler Lever Kits | 56 |
| Agitator, Drive Bell, Hub and Lip Seal Kit and Washtub | 58 |
| Outer Tub, Cover, Bearing and Seal Housing and Counterweight | 60 |
| Pressure Hose and Bulb | 62 |
| Transmission Assembly | 64 |
| Drain Hoses and Siphon Break Kit | 66 |
| Weldment and Bearing Assembly, Brake and Pulley..... | 68 |
| Front Panel, Base Assembly and Cabinet Kit..... | 70 |
| Mixing Valve and Motor Disconnect Blocks, Terminals and Terminal Extractor Tool..... | 72 |
| Lead-In Cord | 74 |
| Terminals | 76 |
| Shipping Materials and Special Tools..... | 78 |
| Special Tools | 80 |

© Copyright 2018, Alliance Laundry Systems LLC

All rights reserved. No part of the contents of this book may be reproduced or transmitted in any form or by any means without the expressed written consent of the publisher.

| | |
|--|----|
| Wire Harnesses and Wires (Drawing 1 of 2)..... | 82 |
| Wire Harnesses and Wires (Drawing 2 of 2)..... | 84 |
| Parts Index..... | 87 |

Parts Ordering Information

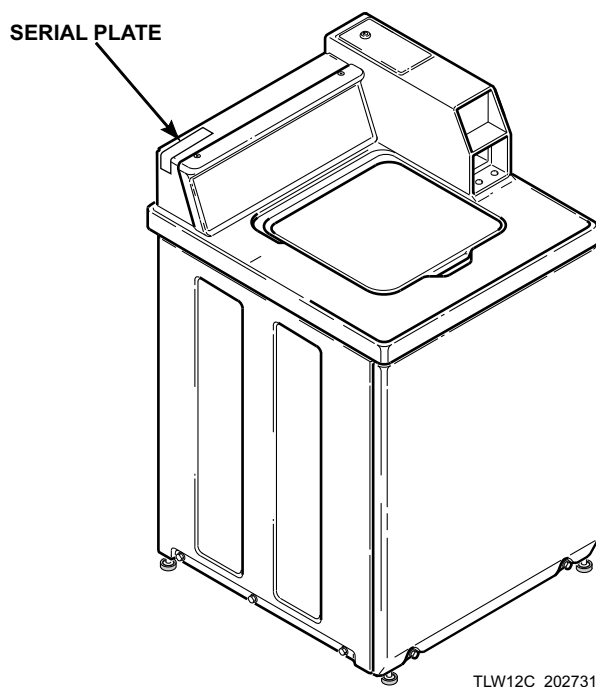
If literature or replacement parts are required, contact the source from whom the machine was purchased or contact Alliance Laundry Systems at (920) 748-3950 for the name and address of the nearest authorized parts distributor.

For technical assistance, call the number listed below:

(920) 748-3121 Ripon, Wisconsin

Serial Plate Location

When calling or writing about your product, be sure to mention model and serial numbers. Model and serial numbers are located on serial plate(s) as shown.



TLW12C_202731

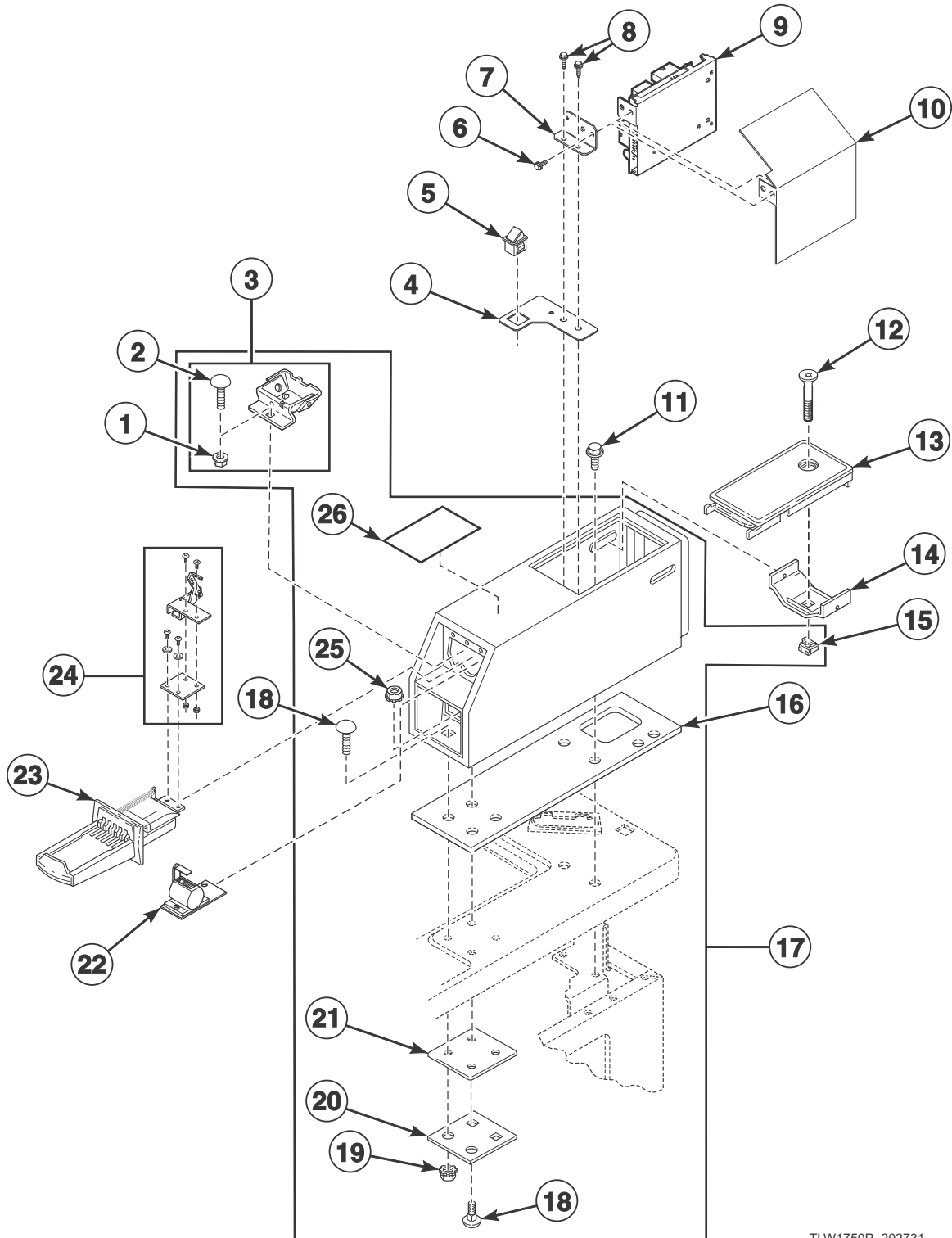
Model Identification

Information in this manual is applicable to these washer models:

| | | |
|------------------|-----------------|------------------|
| BWNBC2PP112TW01 | NWNBX2SP302NW22 | SWNLY2AP112TW01 |
| BWNBX2PP112TW01 | NWNMN1SP542NW22 | SWNLY2HP112TW01 |
| BWNBX2PP302AW01 | NWNMN2SP302NW22 | SWNLY2PP112TW01 |
| BWNBX2PP112TW01 | NWNSX2SP302NW22 | SWNLY2SP112TW01 |
| BWNMN2PP112CW01 | PWNBC2PP112TG02 | SWNLY2SP302NW22 |
| BWNMN2PP302AW01 | PWNBX2PP112TG02 | SWNLMN1SP302AW01 |
| BWNSX2PP112CW01 | PWNBX2PP302AG02 | SWNLMN1SP302NW22 |
| GWNMN1PP302AW01 | PWNSX2PP112TG02 | SWNLMN1SP302SW01 |
| GWNMN2PP302AW01 | SWNBC2PP112TQ01 | SWNLMN2PP112TW01 |
| GWNMN2PP302NW01 | SWNBC2PP112TW01 | SWNLMN2SP112CW01 |
| GWNMN2PP112TW01 | SWNBC2PP112TW02 | SWNLMN2SP112TW01 |
| GWNSX1PP302AW01 | SWNBC2SP112TQ01 | SWNLMN2SP112TW08 |
| GWNSX1PP302EW09 | SWNBC2SP112TW01 | SWNSX1PP112TQ01 |
| GWNSX2PP112TW01 | SWNBX1SP122DW01 | SWNSX1PP112TW01 |
| GWNSX2PP302AW01 | SWNBX1SP542DW01 | SWNSX1PP302AW01 |
| GWNSX2PP302NW01 | SWNBX2PP112TW02 | SWNSX1SP112TQ01 |
| HWNBC2PP112TQ01 | SWNBX2SP082JW01 | SWNSX1SP112TW01 |
| HWNBC2PP112TW01 | SWNBX2SP112FW27 | SWNSX1SP302AW01 |
| HWNBD2SP112CQ01 | SWNBX2SP112TQ01 | SWNSX1SP302BW01 |
| HWNBD2SP112CW01 | SWNBX2SP112TW01 | SWNSX1SP302EW09 |
| HWNBE2SP112CW01 | SWNBX2SP302AW01 | SWNSX1SP302NW22 |
| HWNBX1SP122DW01 | SWNBX2SP302NQ22 | SWNSX1SP302SQ01 |
| HWNBX1SP542DW01 | SWNBX2SP302NW22 | SWNSX1SP302SW01 |
| HWNBX2SP112CW01 | SWNBY2PP112TW01 | SWNSX1SP302UW01 |
| HWNBX2SP112FW28 | SWNBY2SP112TW01 | SWNSX1SP542NW22 |
| HWNBX2PP112TW01 | SWNLC2AP112TW01 | SWNSX2PP112TQ01 |
| HWNBX2SP112CW01 | SWNLC2AP112TW02 | SWNSX2PP112TW01 |
| HWNLE2AP112CW01 | SWNLC2HP112TQ01 | SWNSX2PP112TW02 |
| HWNLE2HP112CW01 | SWNLC2HP112TW01 | SWNSX2SP112CW02 |
| HWNLE2SP112CW01 | SWNLC2HP112TW02 | SWNSX2SP112TQ01 |
| HWNLX1SP122DW01 | SWNLC2PP112TW01 | SWNSX2SP112TW01 |
| HWNLX1SP542DW01 | SWNLC2PP112TW02 | SWNSX2SP112TW02 |
| HWNLX2HP112CW01 | SWNLC2SP112TQ01 | SWNLY2AP112TW11 |
| HWNLX2SP112CW01 | SWNLC2SP112TW01 | SWNLY2HP112TW11 |
| HWNLX2SP112TW01 | SWNLC2SP112TW02 | TWNBX2SP302NW22 |
| HWNLY2HP112CW01 | SWNLX1SP122DW01 | UWNLMN2SP112CW01 |
| HWNLY2SP112CW01 | SWNLX1SP542DW01 | |
| HWNLMN2PP112TW01 | SWNLX1SP542NW23 | |
| HWNLMN2SP112CW01 | SWNLX2AP112TW02 | |
| HWNSX1PP112TQ01 | SWNLX2HP112TW01 | |
| HWNSX1PP112TW01 | SWNLX2HP112TW02 | |
| HWNSX1SP112CW01 | SWNLX2PP112TW02 | |
| HWNSX1SP302UW09 | SWNLX2SP112TW01 | |
| HWNSX2PP112TQ01 | SWNLX2SP112TW02 | |
| HWNSX2PP112TW01 | SWNLX2SP302AW01 | |
| HWNSX2SP112CW01 | | |

Coin Slide Extension, Meter Case and Control

Models BWNSX2PP112CW01, GWNSX1PP302AW01, GWNSX1PP302EW09, GWNSX2PP112TW01, GWNSX2PP302AW01, GWNSX2PP302NW01, HWNSX1PP112TQ01, HWNSX1PP112TW01, HWNSX1SP112CW01, HWNSX1SP302UW09, HWNSX2PP112TQ01, HWNSX2PP112TW01, HWNSX2SP112CW01, NWNSX2SP302NW22, PWNSX2PP112TG02, SWNSX1PP112TQ01, SWNSX1PP112TW01, SWNSX1PP302AW01, SWNSX1SP112TQ01, SWNSX1SP112TW01, SWNSX1SP302AW01, SWNSX1SP302BW01, SWNSX1SP302EW09, SWNSX1SP302NW22, SWNSX1SP302SQ01, SWNSX1SP302SW01, SWNSX1SP302UW01, SWNSX1SP542NW22, SWNSX2PP112TQ01, SWNSX2PP112TW01, SWNSX2PP112TW02, SWNSX2SP112CW02, SWNSX2SP112TQ01, SWNSX2SP112TW01 and SWNSX2SP112TW02



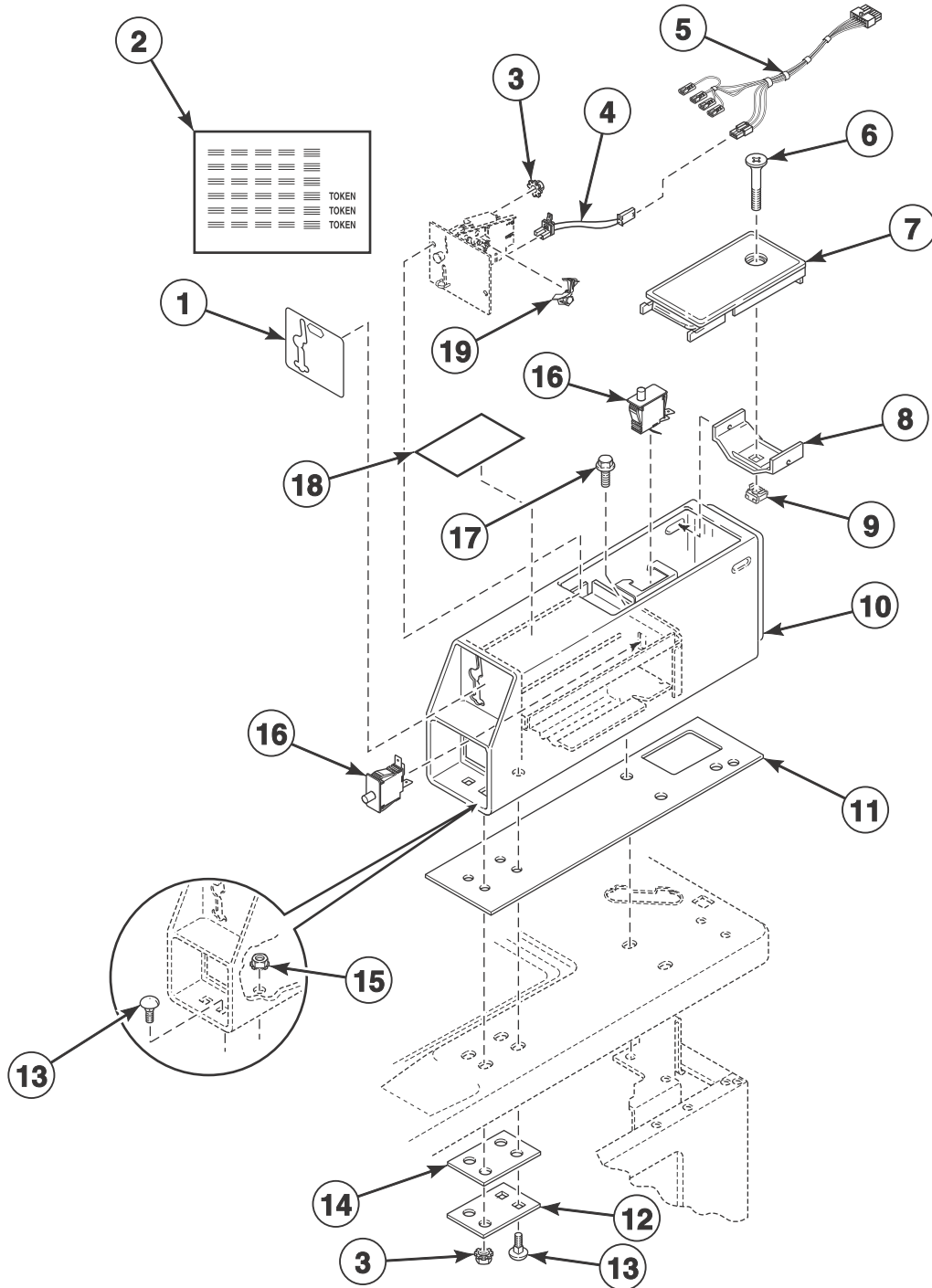
TLW1750P_202731

Coin Slide Extension, Meter Case and Control

| REF | PART NO. | DESCRIPTION | COMMENTS |
|-----|----------|---------------------------------|---|
| 1 | 29796 | Nut | |
| 2 | 29651 | Bolt | |
| 3 | 523P3 | Coin Funnel Kit | |
| 4 | 803662 | Bracket | |
| 5 | 431159 | Switch | |
| 6 | D501524 | Screw | |
| 7 | 201581 | Chassis Mounting Bracket | |
| 8 | D503688 | Screw | |
| 9 | 202393P | Control Assembly | |
| 10 | D512304 | Control Shield | |
| 11 | 36048 | Screw | |
| 12 | D503673 | Screw | |
| 13 | 39874QP | Service Door Assembly | Bisque; Models HWNSX1PP112TQ01, HWNSX2PP112TQ01, SWNSX1PP112TQ01, SWNSX1SP112TQ01, SWNSX1SP302SQ01, SWNSX2PP112TQ01 and SWNSX2SP112TQ01 |
| | 39874DG | Service Door Assembly | Gray; Model PWNSX2PP112TG02 |
| | 39874WP | Service Door Assembly | White; All other models |
| 14 | 204616 | Meter Case Locking Bracket | |
| 15 | 30647 | Nut | |
| 16 | 26354 | Meter Case Gasket | |
| 17 | 803575WP | Meter Case Assembly Kit | White; Models SWNSX2PP112TW02, SWNSX2SP112CW02 and SWNSX2SP112TW02 |
| | 803575DG | Meter Case Assembly Kit | Gray; Model PWNSX2PP112TG02 |
| | 803578P | Coin Box Extension Kit | Use with 803575W or 803575DG Meter Case Assembly to extend shorter 7-inch coin boxes; Models PWNSX2PP112TG02, SWNSX2PP112TW02, SWNSX2SP112CW02 and SWNSX2SP112TW02 |
| | 201010QP | Meter Case Kit | Bisque; Includes items 3, 15, 16, 18-21 and 24; Models HWNSX1PP112TQ01, HWNSX2PP112TQ01, SWNSX1PP112TQ01, SWNSX1SP112TQ01, SWNSX1SP302SQ01, SWNSX2PP112TQ01 and SWNSX2SP112TQ01 |
| | 201010WP | Meter Case Kit | White; Includes items 3, 15, 16, 18-21 and 24; All other models |
| 18 | 02505 | Bolt | |
| 19 | 29786 | Nut | |
| 20 | 35525 | Meter Case Lockdown Bracket | |
| 21 | 35526 | Meter Case Bracket Gasket | |
| 22 | 201280P | Mechanical Counter Kit Assembly | |
| 23 | CK001 | Coin Slide Kit | U.S.A. |
| | CK009 | Coin Slide Kit | STD-118-1 Token |
| | CK010P | Coin Slide Kit | STD-118-5 Token |
| | CK011 | Coin Slide Kit | STD-118-10 Token |
| | CK014 | Coin Slide Kit | U.S.A. |
| | CK017 | Coin Slide Kit | Chilly Willy Token |
| | CK027 | Slide | Tokette |
| 24 | 200913 | Coin Slide Extension Kit | Includes spring and items 4 and 5 |
| | 804794 | Spring | |
| 25 | 802337 | Nut | |
| 26 | 37068 | Operation Instruction Label | Models GWNSX1PP302EW09, HWNSX1SP302UW09, SWNSX1SP302EW09 and SWNSX1SP302UW01 |

Meter Case

Models BWNBC2PP112TW01, BWNBX2PP112TW01, BWNBX2PP302AW01, HWNBC2PP112TQ01, HWNBC2PP112TW01, HWNBD2SP112CQ01, HWNBD2SP112CW01, HWNBE2SP112CW01, HWNBX1SP122DW01, HWNBX1SP542DW01, HWNBX2SP112CW01, HWNBX2SP112FW28, HWNLE2AP112CW01, HWNLE2HP112CW01, HWNLE2SP112CW01, HWNLX1SP122DW01, HWNLX1SP542DW01, HWNLX2HP112CW01, HWNLX2SP112CW01, NWNBX2SP302NW22, PWNBC2PP112TG02, PWNBX2PP112TG02, PWNBX2PP302AG02, SWNBC2PP112TQ01, SWNBC2PP112TW01, SWNBC2PP112TW02, SWNBC2SP112TQ01, SWNBC2SP112TW01, SWNBX1SP122DW01, SWNBX1SP542DW01, SWNBX2PP112TW02, SWNBX2SP082JW01, SWNBX2SP112FW27, SWNBX2SP112TQ01, SWNBX2SP112TW01, SWNBX2SP302AW01, SWNBX2SP302NQ22, SWNBX2SP302NW22, SWNLC2AP112TW01, SWNLC2AP112TW02, SWNLC2HP112TQ01, SWNLC2HP112TW01, SWNLC2HP112TW02, SWNLC2PP112TW01, SWNLC2PP112TW02, SWNLC2SP112TQ01, SWNLC2SP112TW01, SWNLC2SP112TW02, SWNLX1SP122DW01, SWNLX1SP542DW01, SWNLX1SP542NW23, SWNLX2AP112TW02, SWNLX2HP112TW01, SWNLX2HP112TW02, SWNLX2PP112TW02, SWNLX2SP112TW01, SWNLX2SP112TW02, SWNLX2SP302AW01 and TWNBX2SP302NW22



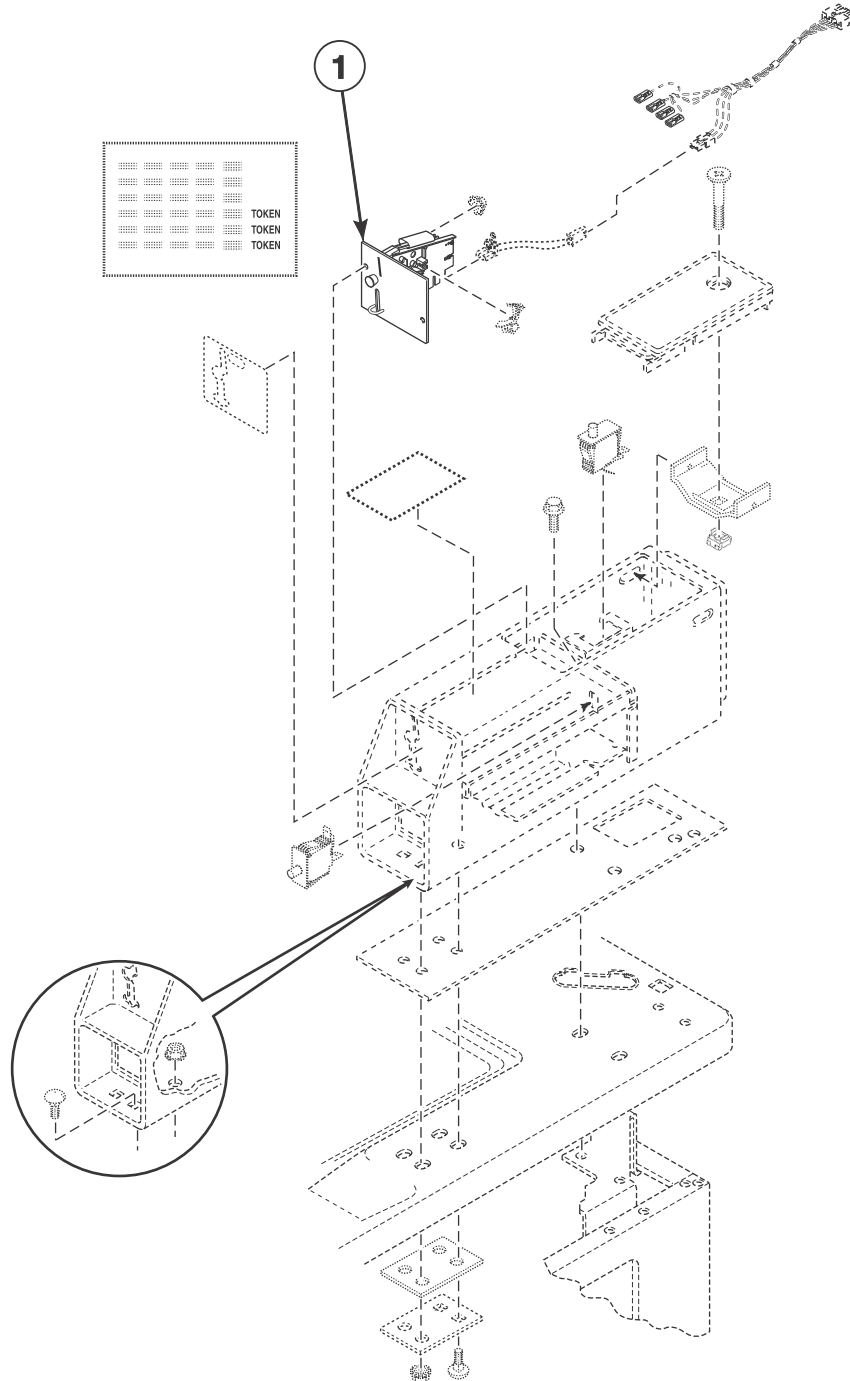
TLW1741P_202731

Meter Case

| REF | PART NO. | DESCRIPTION | COMMENTS |
|-----|----------|-----------------------------|---|
| 1 | 38717 | Single Overlay | \$.25 |
| | 38676 | Overlay Kit | Dual; Includes item 2 |
| | 39073 | Dual Overlay | \$.25 and \$1.00 |
| 2 | 38725 | Coin Identification Paper | |
| 3 | 29786 | Nut | |
| 4 | 200674P | Opto Coupler | |
| 5 | 802904P | Harness Assembly | Models BWNBX2PP112TW01, HWNBC2PP112TQ01, HWNBC2PP112TW01, PWNBC2PP112TG02, SWNBC2PP112TQ01, SWNBC2PP112TW01, SWNBC2PP112TW02, SWNBC2SP112TQ01, SWNBC2SP112TW01, SWNLC2AP112TW01, SWNLC2AP112TW02, SWNLC2HP112TQ01, SWNLC2HP112TW01, SWNLC2HP112TW02, SWNLC2PP112TW01, SWNLC2PP112TW02, SWNLC2SP112TQ01, SWNLC2SP112TW01 and SWNLC2SP112TW02 |
| | 802905 | Harness Assembly | All other models |
| 6 | D503673 | Screw | |
| 7 | 39874WP | Service Door Assembly | White |
| | 39874QP | Service Door Assembly | Bisque |
| | 39874DG | Service Door Assembly | Dark gray |
| 8 | 204616 | Meter Case Locking Bracket | |
| 9 | 30647 | Nut | |
| 10 | 803063WP | Meter Case Assembly Kit | Models SWNBC2PP112TW02, SWNBX2PP112TW02, SWNLC2AP112TW02, SWNLC2HP112TW02, SWNLC2PP112TW02, SWNLC2SP112TW02, SWNLX2AP112TW02, SWNLX2HP112TW02, SWNLX2PP112TW02 and SWNLX2SP112TW02 |
| | 803063DG | Meter Case Assembly | Models PWNBC2PP112TG02, PWNBX2PP112TG02 and PWNBX2PP302AG02 |
| | 803578P | Coin Box Extension Kit | Use with 803063W Meter Case Assembly to extend shorter 7 inch coin boxes; Models PWNBC2PP112TG02, PWNBX2PP112TG02, PWNBX2PP302AG02, SWNBC2PP112TW02, SWNBX2PP112TW02, SWNLC2PP112TW02, SWNLC2SP112TW02, SWNLX2PP112TW02 and SWNLX2SP112TW02 |
| | 802505W | Meter Case Assembly | Models HWNBE2SP112CW01, HWNLE2AP112CW01, HWNLE2HP112CW01, HWNLE2SP112CW01, SWNLC2AP112TW02, SWNLC2HP112TW02, SWNLX2AP112TW02 and SWNLX2HP112TW02 |
| | 38724W | Meter Case Assembly | White; All other models |
| | 38724Q | Meter Case Assembly | Bisque; All other models |
| 11 | 26354 | Meter Case Gasket | |
| 12 | 35525 | Meter Case Lockdown Bracket | |
| 13 | 02505 | Bolt | |
| 14 | 35526 | Meter Case Bracket Gasket | |
| 15 | 802337 | Nut | |
| 16 | D512973 | Switch | |
| 17 | 36048 | Screw | |
| 18 | 203152 | Operation Instruction Label | |
| 19 | 201595P | Wire Guard | Anti-stringing security device |

Non-Electronic Coin Drop

Models BWNBC2PP112TW01, BWNBX2PP112TW01, BWNBX2PP302AW01, HWNBC2PP112TQ01, HWNBC2PP112TW01, HWNBD2SP112CQ01, HWNBD2SP112CW01, HWNBE2SP112CW01, HWNBX1SP122DW01, HWNBX1SP542DW01, HWNBX2SP112CW01, HWNBX2SP112FW28, HWNLE2AP112CW01, HWNLE2HP112CW01, HWNLE2SP112CW01, HWNLX1SP122DW01, HWNLX1SP542DW01, HWNLX2HP112CW01, HWNLX2SP112CW01, NWNBX2SP302NW22, PWNBC2PP112TG02, PWNBX2PP112TG02, PWNBX2PP302AG02, SWNBC2PP112TQ01, SWNBC2PP112TW01, SWNBC2PP112TW02, SWNBC2SP112TQ01, SWNBC2SP112TW01, SWNBX1SP122DW01, SWNBX1SP542DW01, SWNBX2PP112TW02, SWNBX2SP082JW01, SWNBX2SP112FW27, SWNBX2SP112TQ01, SWNBX2SP112TW01, SWNBX2SP302AW01, SWNBX2SP302NQ22, SWNBX2SP302NW22, SWNLC2AP112TW01, SWNLC2AP112TW02, SWNLC2HP112TQ01, SWNLC2HP112TW01, SWNLC2HP112TW02, SWNLC2PP112TW01, SWNLC2PP112TW02, SWNLC2SP112TQ01, SWNLC2SP112TW01, SWNLC2SP112TW02, SWNLX1SP122DW01, SWNLX1SP542DW01, SWNLX1SP542NW23, SWNLX2AP112TW02, SWNLX2HP112TW01, SWNLX2HP112TW02, SWNLX2PP112TW02, SWNLX2SP112TW01, SWNLX2SP112TW02, SWNLX2SP302AW01 and TWNBX2SP302NW22



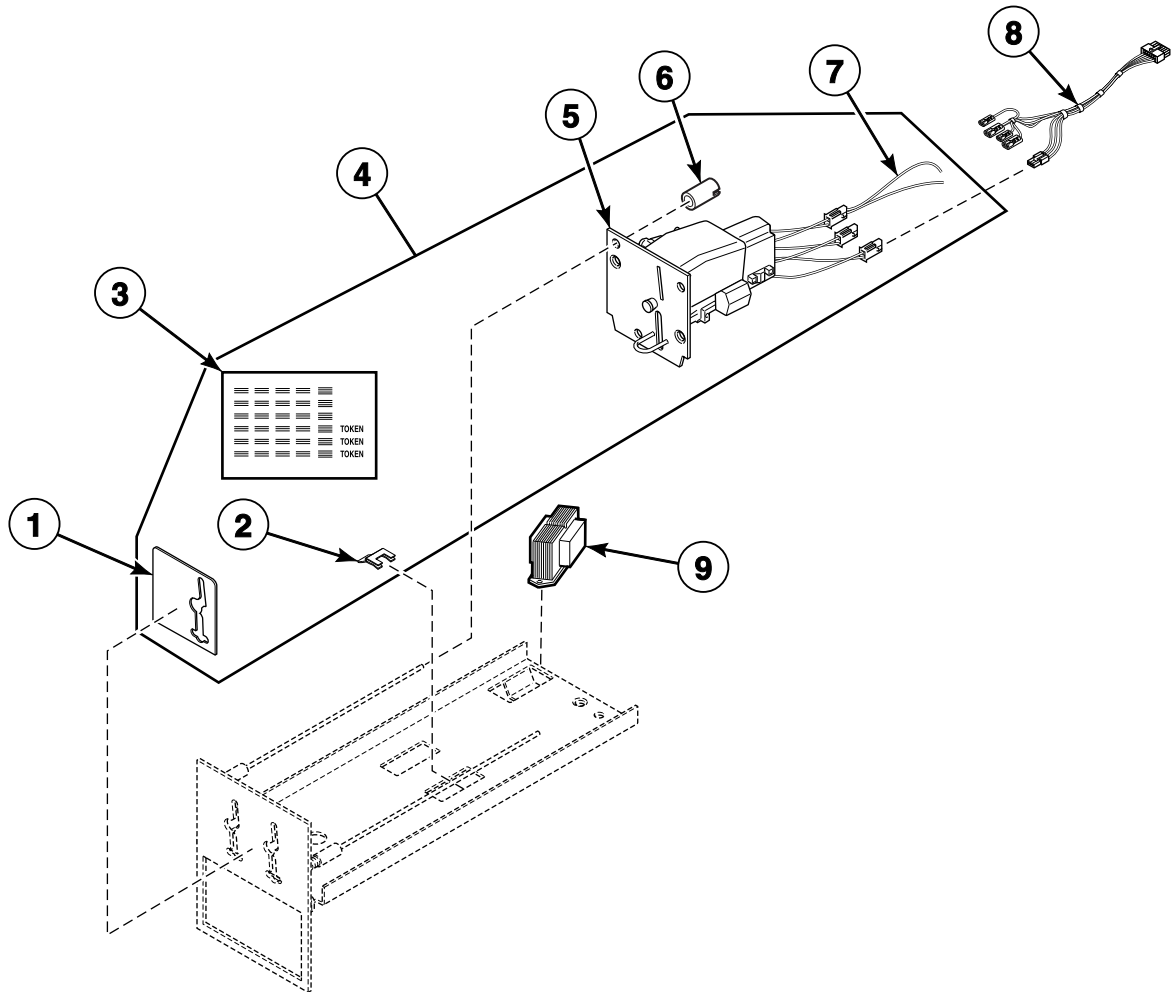
TLW1741PA_202731

Non-Electronic Coin Drop

| REF | PART NO. | DESCRIPTION | COMMENTS |
|-----|-----------|--------------------|---------------------------------------|
| 1 | 70441601P | Coin Drop | Single; U.S.A.; \$.25 |
| | 200731 | Coin Drop | Single; U.S.A.; \$1.00 |
| | 70441603 | Coin Drop | Dual; U.S.A.; \$.25 and \$1.00 |
| | 38467 | Coin Drop Assembly | Dual; Australia; \$0.20 and \$1.00 |
| | 70447301 | Coin Drop Assembly | Dual; Australia; \$1.00 and \$2.00 |
| | 38464P | Coin Drop Assembly | Single; Canada; .25 |
| | 70441602 | Coin Drop Assembly | Dual; Canada; .25 and 1.00 |
| | 38472 | Coin Drop Assembly | Dual; England; 20 pence and 1 pound |
| | 38519 | Coin Drop Assembly | Dual; Japan; 100 yen and 500 yen |
| | 38521 | Coin Drop Assembly | Dual; Korea; 100 won and 500 won |
| | CK114 | Coin Drop Assembly | Single; Singapore; Old \$1.00 |
| | CK123 | Coin Drop Assembly | Single; Singapore; New \$1.00 |
| | 70482401 | Coin Drop Assembly | Dual; New Zealand ; \$1.00 and \$2.00 |
| | 38462P | Coin Drop Assembly | Single; Token; STD 118-1 |
| | 38463 | Coin Drop Assembly | Single; Token; STD 118-5 |
| | 38963P | Coin Drop | Single; Token STD 118-16 |
| | 553192 | Coin Drop Assembly | Dual; Danish Crown |
| | 39157 | Coin Drop Assembly | Dual; Israel; 1 and 5 Shekel |
| | 38475 | Coin Drop Assembly | Single; Japan; 100 yen |
| | 210195 | Coin Drop Assembly | Dual; 0.20 and 1.00 Euro |
| | 210196 | Coin Drop Assembly | Dual; 0.50 and 1.00 Euro |
| | 70281102 | Coin Drop Assembly | Dual; Taiwan; 10 and 50 NT |
| | 70506901 | Coin Drop Assembly | Single; Singapore; \$1.00 NEW |
| | 39748 | Coin Drop | Single; Jeton 08MS |
| | 201141 | Coin Drop Assembly | Single; Token; Jeton wh121 |
| | CK055 | Coin Drop Kit | Token STD 118-1 |
| | CK056 | Coin Drop Kit | Token STD 118-5 |
| | CK057 | Coin Drop Kit | Single; Canada; \$0.25 |
| | CK058 | Coin Drop Kit | Dual; Canada; \$0.25 and \$1.00 |
| | CK077 | Coin Drop Kit | Single; Taiwan; 10 NT |
| | CK060 | Coin Drop Kit | Dual; Australia; \$0.20 and \$1.00 |
| | CK071 | Coin Drop Kit | Dual; Japan; 100 yen and 500 yen |
| | CK078 | Coin Drop Kit | Single; U.S.A.; \$0.25 |
| | CK085 | Coin Drop Kit | Single; Token STD 118-16 |
| | CK086 | Coin Drop Kit | Dual; Israel; 1 and 5 Shekel |
| | CK089 | Coin Drop Kit | Single; Japan; 100 yen |
| | CK090 | Coin Drop Kit | Single; U.S.A.; \$1.00 |
| | CK091 | Coin Drop Kit | Dual; 0.20 and 1.00 Euro |
| | CK097 | Coin Drop Kit | Single; Token; Jeton 08MS |
| | CK098 | Coin Drop Kit | Single; Token; Jeton wh121 |
| | CK107 | Coin Drop Kit | Dual; Taiwan; 10 and 50 NT |
| | CK111 | Coin Drop Kit | Dual; Australia; \$1.00 and \$2.00 |
| | CK122 | Coin Drop Kit | Dual; New Zealand; \$1.00 and \$2.00 |

Electronic Coin Drop

Models BWNBC2PP112TW01, BWNBX2PP112TW01, BWNBX2PP302AW01, HWNBC2PP112TQ01, HWNBC2PP112TW01, HWNBD2SP112CQ01, HWNBD2SP112CW01, HWNBE2SP112CW01, HWNBX1SP122DW01, HWNBX1SP542DW01, HWNBX2SP112CW01, HWNBX2SP112FW28, HWNLE2AP112CW01, HWNLE2HP112CW01, HWNLE2SP112CW01, HWNLX1SP122DW01, HWNLX1SP542DW01, HWNLX2HP112CW01, HWNLX2SP112CW01, NWNBX2SP302NW22, PWNBC2PP112TG02, PWNBX2PP112TG02, PWNBX2PP302AG02, SWNBC2PP112TQ01, SWNBC2PP112TW01, SWNBC2PP112TW02, SWNBC2SP112TQ01, SWNBC2SP112TW01, SWNBX1SP122DW01, SWNBX1SP542DW01, SWNBX2PP112TW02, SWNBX2SP082JW01, SWNBX2SP112FW27, SWNBX2SP112TQ01, SWNBX2SP112TW01, SWNBX2SP302AW01, SWNBX2SP302NQ22, SWNBX2SP302NW22, SWNLC2AP112TW01, SWNLC2AP112TW02, SWNLC2HP112TQ01, SWNLC2HP112TW01, SWNLC2HP112TW02, SWNLC2PP112TW01, SWNLC2PP112TW02, SWNLC2SP112TQ01, SWNLC2SP112TW01, SWNLC2SP112TW02, SWNLX1SP122DW01, SWNLX1SP542DW01, SWNLX1SP542NW23, SWNLX2AP112TW02, SWNLX2HP112TW01, SWNLX2HP112TW02, SWNLX2PP112TW02, SWNLX2SP112TW01, SWNLX2SP112TW02, SWNLX2SP302AW01 and TWNBX2SP302NW22



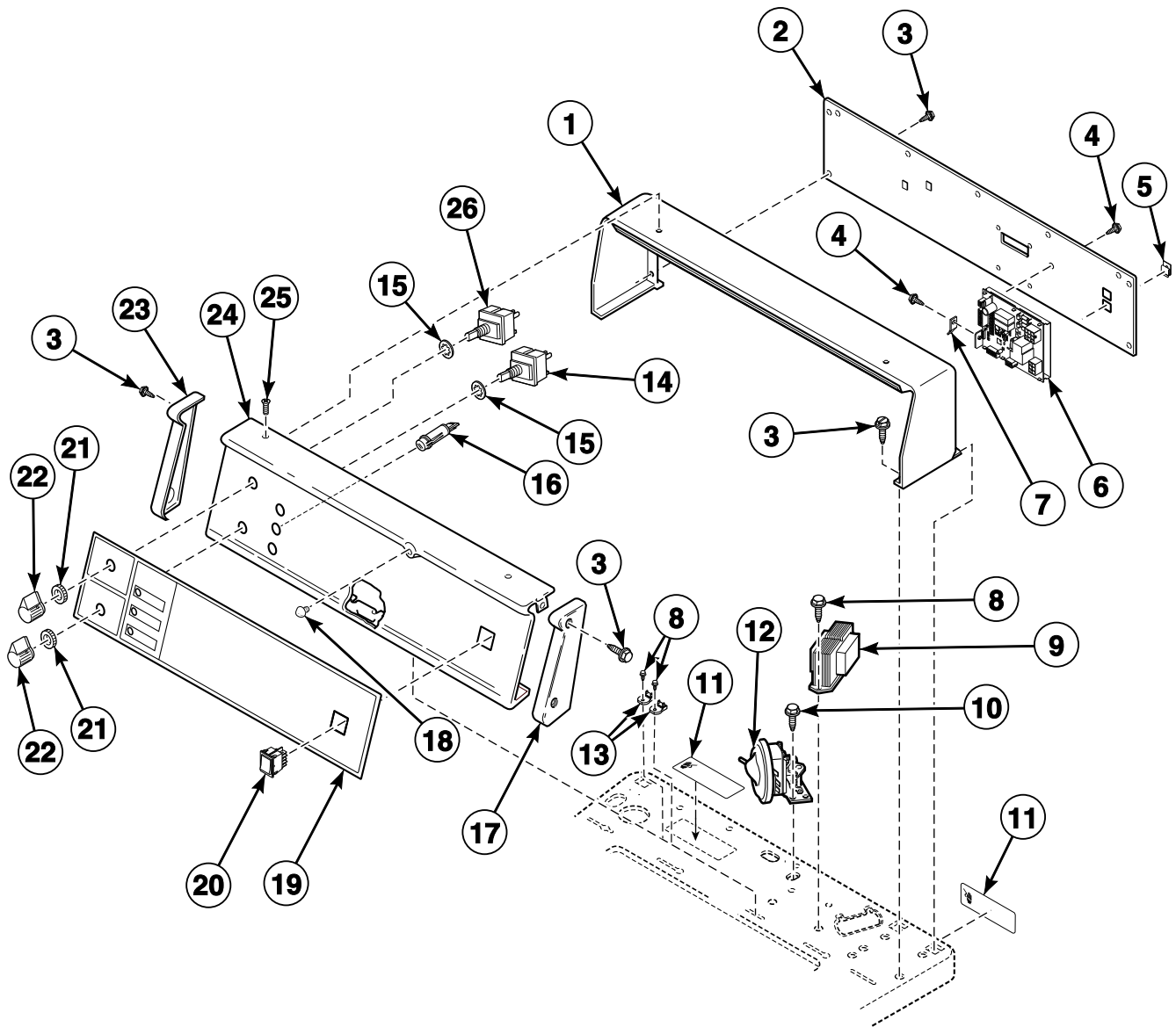
TLW1638P_202731

Electronic Coin Drop

| REF | PART NO. | DESCRIPTION | COMMENTS |
|-----|-----------|-------------------------------|--|
| 1 | 201091 | Overlay | |
| 2 | 201572 | Clip | |
| 3 | 38725 | Coin Identification Paper | |
| 4 | CK115 | Electronic Coin Drop Kit | Includes items 1-3 and 5-7; Models BWNBC2PP112TW01, HWNBC2PP112TQ01, HWNBC2PP112TW01, HWNBD2SP112CQ01, HWNBD2SP112CW01, PWNBC2PP112TG02, SWNBC2PP112TQ01, SWNBC2PP112TW01, SWNBC2PP112TW02, SWNBC2SP112TQ01, SWNBC2SP112TW01, SWNLC2AP112TW01 SWNLC2HP112TQ01, SWNLC2AP112TW02, SWNLC2HP112TW01, SWNLC2HP112TW02, SWNLC2PP112TW01, SWNLC2PP112TW02, SWNLC2SP112TQ01, SWNLC2SP112TW01 and SWNLC2SP112TW02 must also order items 8 and 9 |
| | CK099 | Electronic Coin Drop Kit | Includes items 1-3 and 5-7; Australia, New Zealand, Hong Kong and South Korea coins |
| | CK100 | Electronic Coin Drop Kit | Includes items 1-3 and 5-7; Euro and Great Britain coins |
| | CK101 | Electronic Coin Drop Kit | Includes items 1-3 and 5-7; Euro, Denmark and Norway coins |
| | CK103 | Electronic Coin Drop Kit | Includes items 1-3 and 5-7; Euro, Lithuania and Latvia coins |
| | CK116 | Electronic Coin Drop Kit | Includes items 1-3 and 5-7; Malaysia (old and new) and China coins |
| | CK108 | Electronic Coin Drop Kit | Includes items 1-3 and 5-7; South African 1, 2, 5 rand coins |
| | CK109 | Electronic Coin Drop Kit | Includes items 1-3 and 5-7; Euro coins |
| | CK110 | Electronic Coin Drop Kit | Includes items 1-3 and 5-7; Mexico, Ecuador and United States coins |
| | CK113 | Electronic Coin Drop Kit | Includes items 1-3 and 5-7; Japan and Taiwan coins |
| | CK120 | Electronic Coin Drop Kit | Includes items 1-3 and 5-7; Chile coins |
| | CK121 | Electronic Coin Drop Kit | Includes items 1-3 and 5-7; Singapore coins |
| | CK117 | Electronic Coin Drop Kit | Includes items 1-3 and 5-7; Russian coins |
| | CK118 | Electronic Coin Drop Kit | Includes items 1-3 and 5-7; Philippine coins |
| | CK119 | Electronic Coin Drop Kit | Includes items 1-3 and 5-7; Thailand coins |
| 5 | 70294105P | Electronic Coin Drop Assembly | Australia, New Zealand, Hong Kong and South Korea coins |
| | 70513302 | Electronic Coin Drop Assembly | Euro and Great Britain coins |
| | 70294122 | Electronic Coin Drop Assembly | Great Britain coins |
| | 70294104 | Electronic Coin Drop Assembly | Euro, Denmark and Norway coins |
| | 70294107 | Electronic Coin Drop Assembly | Euro, Lithuania and Latvia coins |
| | 70294117 | Electronic Coin Drop Assembly | Russia coins |
| | 70294110 | Electronic Coin Drop Assembly | South African 1, 2, 5 rand coins |
| | 70294111 | Electronic Coin Drop Assembly | Euro coins |
| | 70294106 | Electronic Coin Drop Assembly | Mexico, Ecuador and United States coins |
| | 70294120 | Electronic Coin Drop Assembly | Chile coins |
| | 70294121 | Electronic Coin Drop Assembly | Singapore coins |
| | 70294103P | Electronic Coin Drop Assembly | Euro and Great Britain coins |
| | 70513311 | Electronic Coin Drop Assembly | Malaysia (old and new) and China coins |
| | 70294119 | Electronic Coin Drop Assembly | Thailand coins |
| 6 | 201216 | Nut | |
| 7 | 201104 | Coin Drop Wire Harness | |
| 8 | 802905 | Harness Assembly | Electronic coin drop requires this harness. If unit is not factory-equipped with this harness, it must be ordered separately. |
| 9 | 201375P | Transformer | Electronic coin drop requires this transformer. If unit is not factory-equipped with this transformer, it must be ordered separately. |

Control Panel, Control Hood and Controls (Drawing 1 of 12)

Models BWNMN2PP112CW01, GWNMN2PP302NW01, GWNMN2PP112TW01, HWNMN2PP112TW01, HWNMN2SP112CW01, NWNMN1SP542NW22, NWNMN2SP302NW22, SWNMN1SP302NW22, SWNMN1SP302SW01, SWNMN2PP112TW01, SWNMN2SP112CW01, SWNMN2SP112TW01, SWNMN2SP112TW08 and UWNMN2SP112CW01



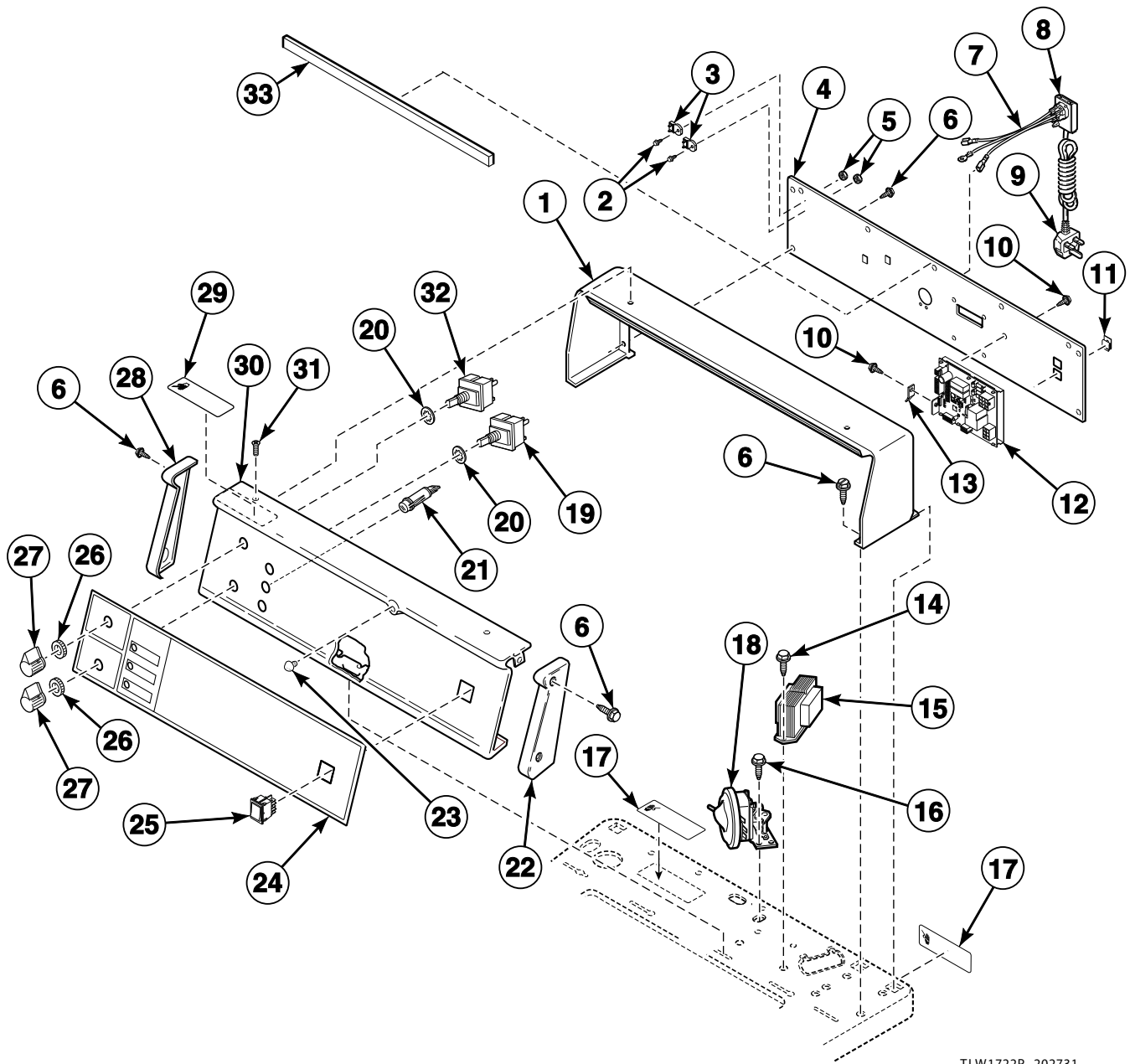
TLW1736P_202731

Control Panel, Control Hood and Controls (Drawing 1 of 12)

| REF | PART NO. | DESCRIPTION | COMMENTS |
|-----|----------|--------------------------------|---|
| 1 | 210142W | Control Hood | |
| 2 | 201732 | Rear Panel | |
| 3 | D501086 | Screw | |
| 4 | D501524 | Screw | |
| 5 | M406494 | Panel Clip | |
| 6 | 202393P | Control Assembly | |
| 7 | 00177 | Male Tab Terminal | |
| 8 | D503661 | Screw | |
| 9 | 201616P | Transformer | Models GWNMN2PP302NW01, NWNMN1SP542NW22, NWNMN2SP302NW22, SWNMN1SP302NW22 and SWNMN1SP302SW01 |
| | 201587P | Transformer | All other models |
| 10 | 23962 | Screw | |
| 11 | D505281 | Disconnect Power Warning Label | |
| 12 | 202655 | Pressure Switch | |
| 13 | 210100 | Resistor | Models GWNMN2PP302NW01, NWNMN1SP542NW22, NWNMN2SP302NW22, SWNMN1SP302NW22 and SWNMN1SP302SW01 |
| 14 | 201686 | Cycle Selector Switch | All models except NWNMN1SP542NW22, SWNMN1SP302NW22 and SWNMN1SP302SW01 |
| 15 | 91176 | Washer | |
| 16 | 801431 | Light | |
| 17 | 210108W | End Cap | Right |
| 18 | 202469 | Control Panel Bumper | |
| | M400795 | Bumper | Extra thick |
| 19 | 201718 | Control Overlay | Models SWNMN2PP112TW01, SWNMN2SP112CW01, SWNMN2SP112TW01 and SWNMN2SP112TW08 |
| | 201762 | Control Overlay | Models HWNMN2PP112TW01 and HWNMN2SP112CW01 |
| | 202012 | Control Overlay | Model BWNMN2PP112CW01 |
| | 201936 | Control Overlay | Models GWNMN2PP302NW01 and GWNMN2PP112TW01 |
| | 202012 | Control Overlay | Model BWNMN2PP112CW01 |
| | 201744 | Control Overlay | Models SWNMN1SP302NW22 and SWNMN1SP302SW01 |
| | 202134 | Control Overlay | Model NWNMN1SP542NW22 |
| | 202129 | Control Overlay | Model NWNMN2SP302NW22 |
| | 202362 | Control Overlay | Model UWNMN2SP112CW01 |
| 20 | 70455101 | Rocker Switch | |
| 21 | 24205 | Nut | |
| 22 | 39897 | Switch Knob | |
| 23 | 210109W | End Cap | Left |
| 24 | 201742W | Control Panel Assembly | |
| 25 | 52864 | Screw | |
| 26 | 201686 | Cycle Selector Switch | Models NWNMN1SP542NW22, SWNMN1SP302NW22 and SWNMN1SP302SW01 |
| | 27761 | Switch | All other models |

Control Panel, Control Hood and Controls (Drawing 2 of 12)

Models BWNMN2PP302AW01, GWNMN1PP302AW01, GWNMN2PP302AW01 and SWNMN1SP302AW01



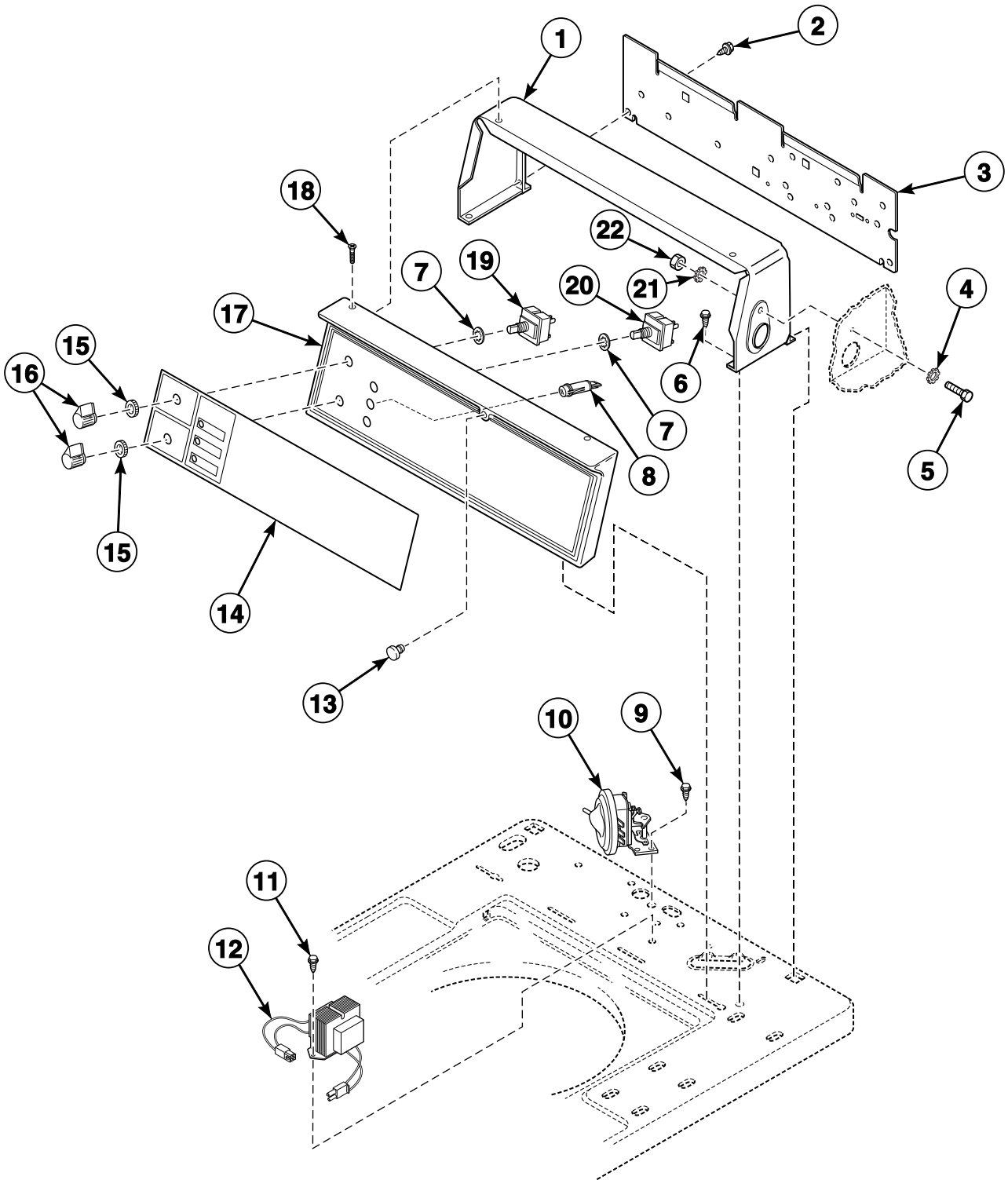
TLW1722P_202731

Control Panel, Control Hood and Controls (Drawing 2 of 12)

| REF | PART NO. | DESCRIPTION | COMMENTS |
|-----|-----------|--------------------------------|---|
| 1 | 210142W | Control Hood | |
| 2 | 685837 | Screw | |
| 3 | 210100 | Resistor | |
| 4 | 203072 | Rear Panel | |
| 5 | 802343 | Nut | |
| 6 | D501086 | Screw | |
| 7 | 39923 | Lead-In Wire Harness Assembly | |
| 8 | 39922 | Cable Connection Box | |
| 9 | 39931 | Power Cord Assembly | |
| 10 | D501524 | Screw | |
| 11 | M406494 | Panel Clip | |
| 12 | 202393P | Control Assembly | |
| 13 | 00177 | Male Tab Terminal | |
| 14 | D503661 | Screw | |
| 15 | 201616P | Transformer | |
| 16 | 23962 | Screw | |
| 17 | D505281 | Disconnect Power Warning Label | |
| 18 | 202655 | Pressure Switch | |
| 19 | 201686 | Cycle Selector Switch | Models BWNMN2PP302AW01 and GWNMN2PP302AW01 |
| 20 | 91176 | Washer | |
| 21 | 801431 | Light | |
| 22 | 210108W | End Cap | Right |
| 23 | 202469 | Control Panel Bumper | |
| | M400795 | Bumper | Extra thick |
| 24 | 201744 | Control Overlay | Model SWNMN1SP302AW01 |
| | 201938 | Control Overlay | Model GWNMN1PP302AW01 |
| | 201936 | Control Overlay | Model GWNMN2PP302AW01 |
| | 202012 | Control Overlay | Model BWNMN2PP302AW01 |
| 25 | 70455101 | Rocker Switch | |
| 26 | 24205 | Nut | |
| 27 | 39897 | Switch Knob | |
| 28 | 210109W | End Cap | Left |
| 29 | D511021 | Shock Warning Label | |
| 30 | 201742W | Control Panel Assembly | |
| 31 | 52864 | Screw | |
| 32 | 27761 | Switch | Models BWNMN2PP302AW01 and GWNMN1PP302AW01 |
| | 201686 | Cycle Selector Switch | All other models |
| 33 | 70392701P | Gasket | |

Control Panel, Control Hood and Controls (Drawing 3 of 12)

Models BWNSX2PP112CW01, GWNSX2PP112TW01, HWNSX1PP112TQ01, HWNSX1PP112TW01, HWNSX1SP112CW01, HWNSX2PP112TQ01, HWNSX2PP112TW01, HWNSX2SP112CW01, PWNSX2PP112TG02, SWNSX1PP112TQ01, SWNSX1PP112TW01, SWNSX1SP112TQ01, SWNSX1SP112TW01, SWNSX2PP112TQ01, SWNSX2PP112TW01, SWNSX2PP112TW02, SWNSX2SP112CW02, SWNSX2SP112TQ01, SWNSX2SP112TW01 and SWNSX2SP112TW02



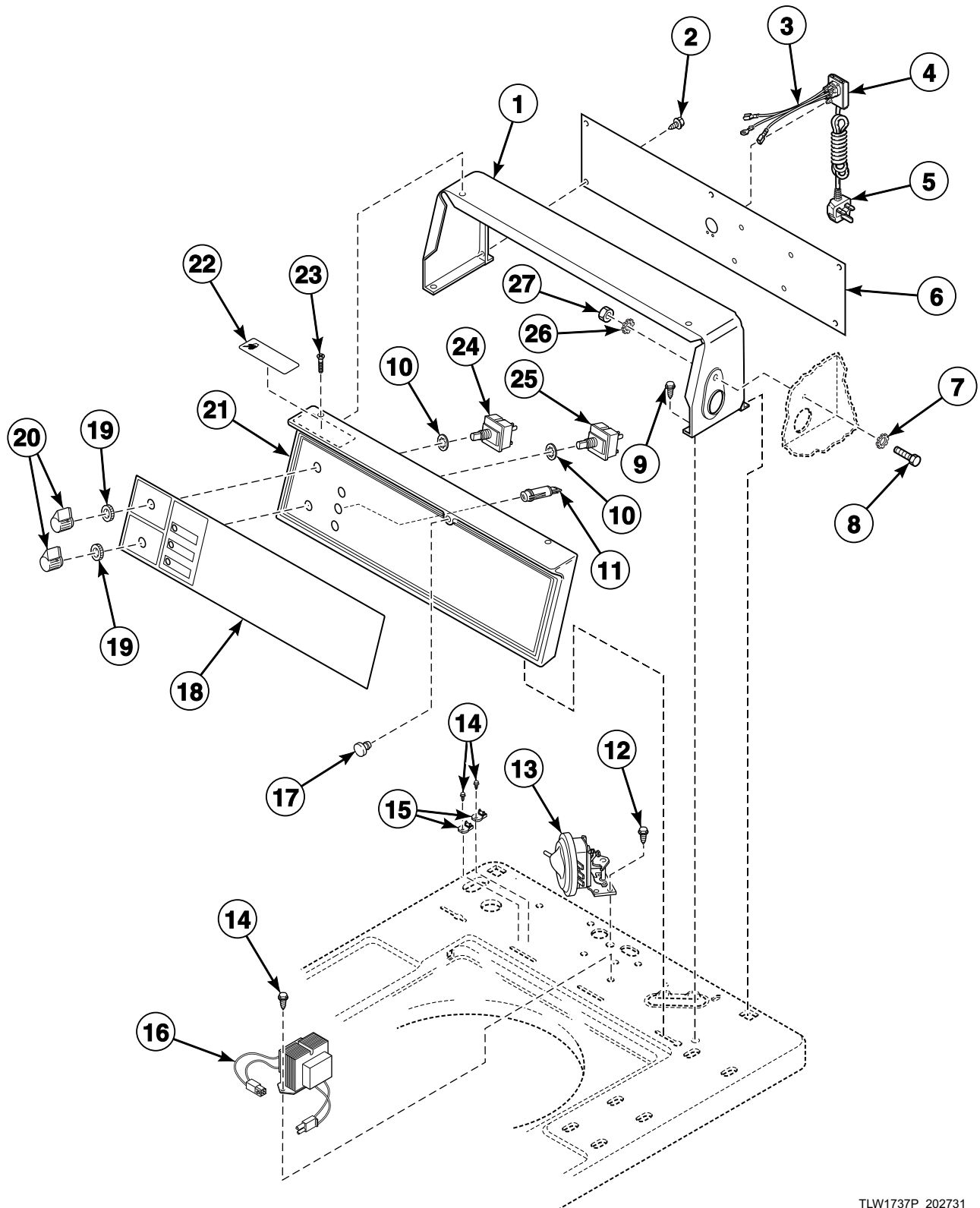
TLW1600P_202731

Control Panel, Control Hood and Controls (Drawing 3 of 12)

| REF | PART NO. | DESCRIPTION | COMMENTS |
|-----|----------|------------------------------------|---|
| 1 | 37075W | Control Hood | White |
| | 37075Q | Control Hood | Bisque |
| | 37075DG | Control Hood | Gray |
| 2 | 23222 | Screw | |
| 3 | 38267 | Hood Back Panel | |
| 4 | M400017 | Washer | |
| 5 | 02916 | Screw | |
| 6 | D501086 | Screw | |
| 7 | 91176 | Washer | |
| 8 | 801431 | Light | |
| 9 | 23962 | Screw | |
| 10 | 202655 | Pressure Switch | |
| 11 | D503661 | Screw | |
| 12 | 201587P | Transformer | |
| 13 | 202469 | Control Panel Bumper | |
| | M400795 | Bumper | Extra thick |
| 14 | 201668 | Control Overlay | Models SWNSX2PP112TQ01, SWNSX2PP112TW01, SWNSX2PP112TW02, SWNSX2SP112CW02, SWNSX2SP112TQ01, SWNSX2SP112TW01 and SWNSX2SP112TW02 |
| | 201674 | Control Overlay | Models HWNSX1PP112TQ01, HWNSX1PP112TW01 and HWNSX1SP112CW01 |
| | 201675 | Control Overlay | Models HWNSX2PP112TQ01, HWNSX2PP112TW01 and HWNSX2SP112CW01 |
| | 201667 | Control Overlay | Models SWNSX1PP112TQ01, SWNSX1PP112TW01, SWNSX1SP112TQ01 and SWNSX1SP112TW01 |
| | 201935 | Control Overlay | Model GWNSX2PP112TW01 |
| | 201999 | Graphic Overlay | Model BWNSX2PP112CW01 |
| | 204005 | Control Overlay | Model PWNSX2PP112TG02 |
| 15 | 24205 | Nut | |
| 16 | 39897 | Switch Knob | |
| 17 | 36520DG | Control Panel and Bracket Assembly | Gray; Model PWNSX2PP112TG02 |
| | 36521WP | Control Panel and Bracket Assembly | White; All other models |
| | 36521QP | Control Panel and Bracket Assembly | Bisque; All other models |
| 18 | D500226 | Screw | Phillips head |
| | 35528 | Screw | Torx head |
| 19 | 27761 | Switch | Models BWNSX2PP112CW01, GWNSX2PP112TW01, HWNSX2PP112TQ01, HWNSX2PP112TW01, HWNSX2SP112CW01, PWNSX2PP112TG02, SWNSX2PP112TQ01, SWNSX2PP112TW01, SWNSX2PP112TW02, SWNSX2SP112CW02, SWNSX2SP112TQ01, SWNSX2SP112TW01 and SWNSX2SP112TW02 |
| | 201686 | Cycle Selector Switch | All other models |
| 20 | 201686 | Cycle Selector Switch | Models BWNSX2PP112CW01, GWNSX2PP112TW01, HWNSX2PP112TQ01, HWNSX2PP112TW01, HWNSX2SP112CW01, PWNSX2PP112TG02, SWNSX2PP112TQ01, SWNSX2PP112TW01, SWNSX2PP112TW02, SWNSX2SP112CW02, SWNSX2SP112TQ01, SWNSX2SP112TW01 and SWNSX2SP112TW02 |
| 21 | 02431 | Washer | |
| 22 | 44087101 | Nut | |

Control Panel, Control Hood and Controls (Drawing 4 of 12)

Models GWNSX1PP302AW01, GWNSX2PP302AW01, GWNSX2PP302NW01, NWNSX2SP302NW22, SWNSX1PP302AW01, SWNSX1SP302AW01, SWNSX1SP302BW01, SWNSX1SP302NW22, SWNSX1SP302SQ01, SWNSX1SP302SW01, SWNSX1SP302UW01 and SWNSX1SP542NW22



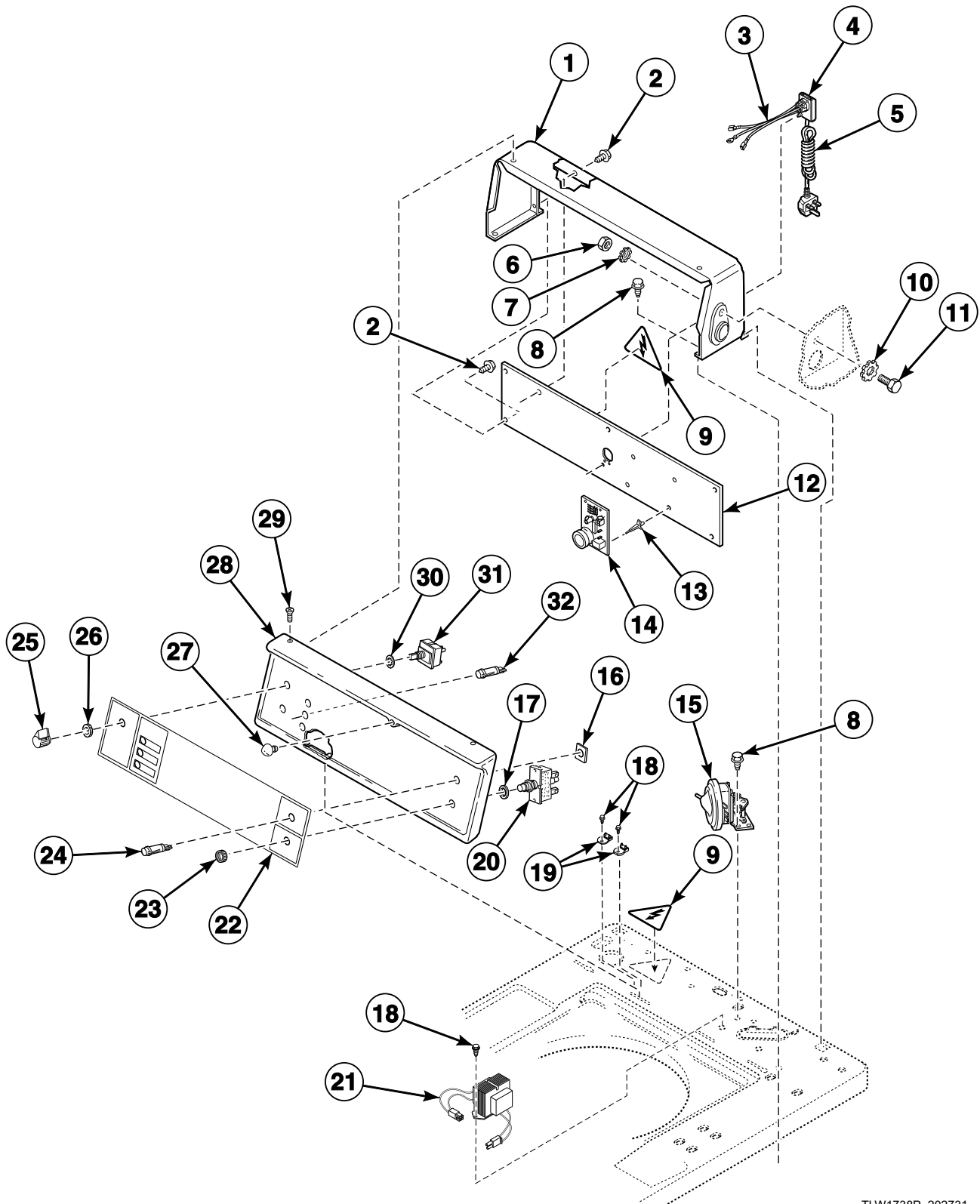
TLW1737P_202731

Control Panel, Control Hood and Controls (Drawing 4 of 12)

| REF | PART NO. | DESCRIPTION | COMMENTS |
|-----|----------|------------------------------------|--|
| 1 | 37075W | Control Hood | White |
| | 37075Q | Control Hood | Bisque |
| 2 | 23222 | Screw | |
| 3 | 39923 | Lead-In Wire Harness Assembly | Models GWNSX1PP302AW01, GWNSX2PP302AW01, SWNSX1PP302AW01, SWNSX1SP302AW01, SWNSX1SP302BW01 and SWNSX1SP302UW01 |
| 4 | 39922 | Cable Connection Box | Models GWNSX1PP302AW01, GWNSX2PP302AW01, SWNSX1PP302AW01, SWNSX1SP302AW01, SWNSX1SP302BW01 and SWNSX1SP302UW01 |
| 5 | 39926 | Lead-In Cord | Model SWNSX1SP302UW01 |
| | 39931 | Power Cord Assembly | Models GWNSX1PP302AW01, GWNSX2PP302AW01, SWNSX1PP302AW01 and SWNSX1SP302AW01 |
| | 39984 | Power Cord Assembly | Model SWNSX1SP302BW01 |
| 6 | 203074 | Rear Panel | Models GWNSX1PP302AW01, GWNSX2PP302AW01, SWNSX1PP302AW01 and SWNSX1SP302AW01 |
| | 39920 | Hood Back Panel | Models SWNSX1SP302BW01 and SWNSX1SP302UW01 |
| | 38267 | Hood Back Panel | All other models |
| 7 | M400017 | Washer | |
| 8 | 02916 | Screw | |
| 9 | D501086 | Screw | |
| 10 | 91176 | Washer | |
| 11 | 801431 | Light | |
| 12 | 23962 | Screw | |
| 13 | 202655 | Pressure Switch | |
| 14 | D503661 | Screw | |
| 15 | 210100 | Resistor | |
| 16 | 201616P | Transformer | Some models may have jumper wire attached to transformer. Discard jumper wire when replacing transformer. |
| 17 | 202469 | Control Panel Bumper | |
| | M400795 | Bumper | Extra thick |
| 18 | 201937 | Control Overlay | Model GWNSX1PP302AW01 |
| | 202130 | Control Overlay | Model NWNSX2SP302NW22 |
| | 201935 | Control Overlay | Models GWNSX2PP302AW01 and GWNSX2PP302NW01 |
| | 201667 | Control Overlay | All other models |
| 19 | 24205 | Nut | |
| 20 | 39897 | Switch Knob | |
| 21 | 36521WP | Control Panel and Bracket Assembly | White |
| | 36521QP | Control Panel and Bracket Assembly | Bisque |
| 22 | D511021 | Shock Warning Label | Models GWNSX1PP302AW01, GWNSX2PP302AW01, SWNSX1PP302AW01 and SWNSX1SP302AW01 |
| 23 | D500226 | Screw | Phillips head |
| | 35528 | Screw | Torx head |
| 24 | 27761 | Switch | Models GWNSX2PP302AW01, GWNSX2PP302NW01 and NWNSX2SP302NW22 |
| | 201686 | Cycle Selector Switch | All other models |
| 25 | 201686 | Cycle Selector Switch | Models GWNSX2PP302AW01, GWNSX2PP302NW01 and NWNSX2SP302NW22 |
| 26 | 02431 | Washer | |
| 27 | 44087101 | Nut | |

Control Panel, Control Hood and Controls (Drawing 5 of 12)

Models GWNSX1PP302EW09, HWNSX1SP302UW09 and SWNSX1SP302EW09



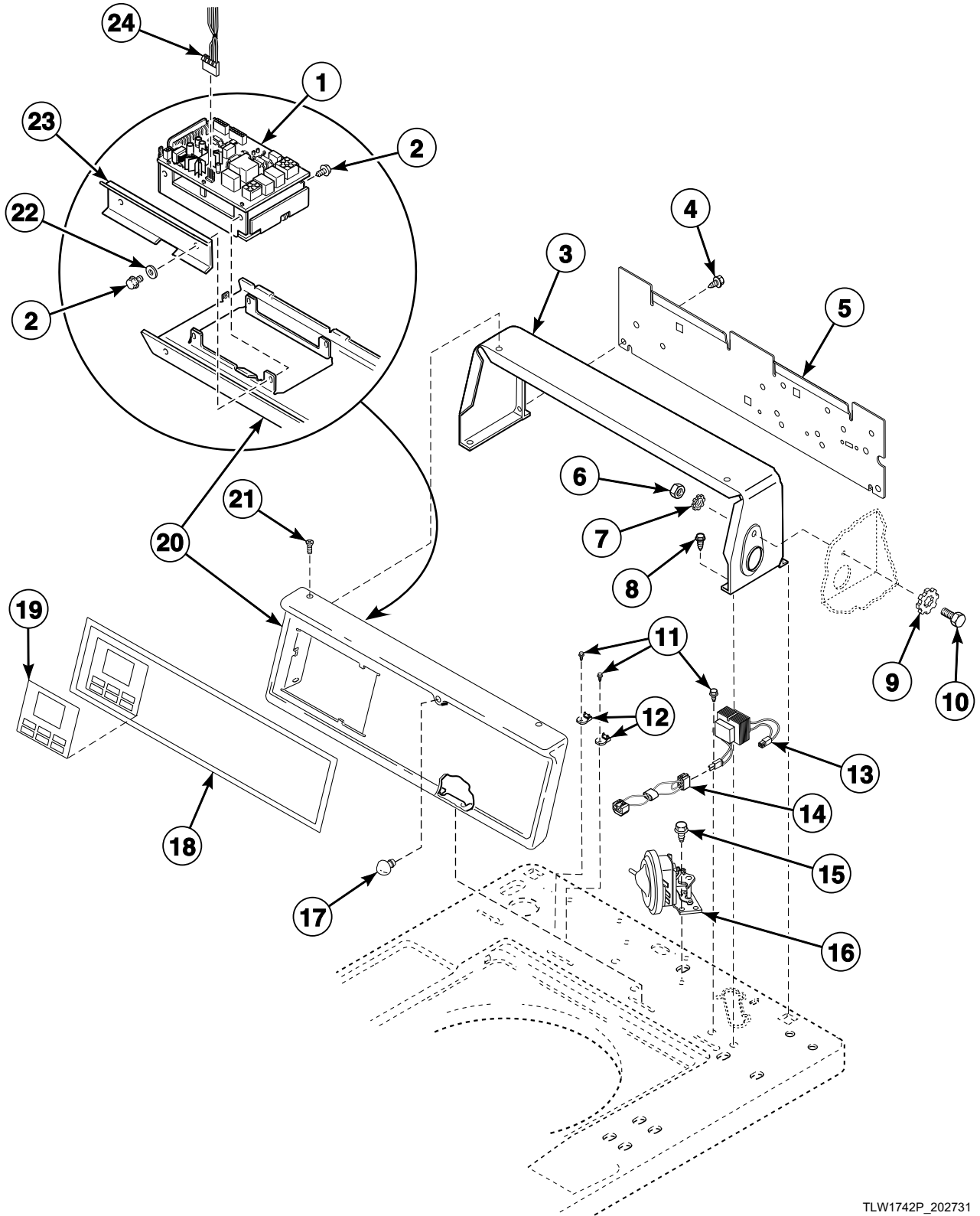
TLW1738P_202731

Control Panel, Control Hood and Controls (Drawing 5 of 12)

| REF | PART NO. | DESCRIPTION | COMMENTS |
|-----|----------|------------------------------------|---|
| 1 | 37075W | Control Hood | |
| 2 | 23222 | Screw | |
| 3 | 201405P | Lead-In Wire Harness Assembly | Model HWNSX1SP302UW09 |
| 4 | 39922 | Cable Connection Box | |
| 5 | 39925 | Power Cord Assembly | Models GWNSX1PP302EW09 and SWNSX1SP302EW09 |
| | 39926 | Lead-In Cord | Model HWNSX1SP302UW09 |
| 6 | 44087101 | Nut | |
| 7 | 02431 | Washer | |
| 8 | 23962 | Screw | |
| 9 | F8211201 | Electrical Shock Label | |
| 10 | M400017 | Washer | |
| 11 | 02916 | Screw | |
| 12 | 39920 | Hood Back Panel | |
| 13 | D501523 | Circuit Board Support | |
| 14 | 37225P | Control Lid Lock Assembly | |
| 15 | 202655 | Pressure Switch | |
| 16 | 34762 | Push-On Clip | |
| 17 | F430339 | Washer | |
| 18 | D503661 | Screw | |
| 19 | 210100 | Resistor | |
| 20 | 55882 | Switch Assembly | |
| 21 | 201616P | Transformer | |
| 22 | 201673 | Control Overlay | Model SWNSX1SP302EW09 |
| | 202022 | Control Overlay | Model GWNSX1PP302EW09 |
| | 202408 | Control Overlay | Model HWNSX1SP302UW09 |
| 23 | 52947 | Nut | |
| 24 | 39536 | Lid Switch Indicator Light | |
| 25 | 39897 | Switch Knob | |
| 26 | 24205 | Nut | |
| 27 | 202469 | Control Panel Bumper | |
| | M400795 | Bumper | Extra thick |
| 28 | 36521WP | Control Panel and Bracket Assembly | |
| 29 | D500226 | Screw | Phillips head |
| | 35528 | Screw | Torx head; Optional for added security |
| 30 | 91176 | Washer | |
| 31 | 201686 | Cycle Selector Switch | |
| 32 | 801431 | Light | |

Control Panel, Control Hood and Controls (Drawing 6 of 12)

Models BWNBC2PP112TW01, BWNBX2PP112TW01, HWNBC2PP112TQ01, HWNBC2PP112TW01, HWNBD2SP112CQ01, HWNBD2SP112CW01, HWNBE2SP112CW01, HWNBX1SP122DW01, HWNBX2SP112CW01, HWNBX2SP112FW28, NWNBX2SP302NW22, PWNBC2PP112TG02, PWNBX2PP112TG02, SWNBC2PP112TQ01, SWNBC2PP112TW01, SWNBC2PP112TW02, SWNBC2SP112TQ01, SWNBC2SP112TW01, SWNBX1SP122DW01, SWNBX2PP112TW02, SWNBX2SP082JW01, SWNBX2SP112FW27, SWNBX2SP112TQ01, SWNBX2SP112TW01, SWNBX2SP302NQ22, SWNBX2SP302NW22 and TWNBX2SP302NW22



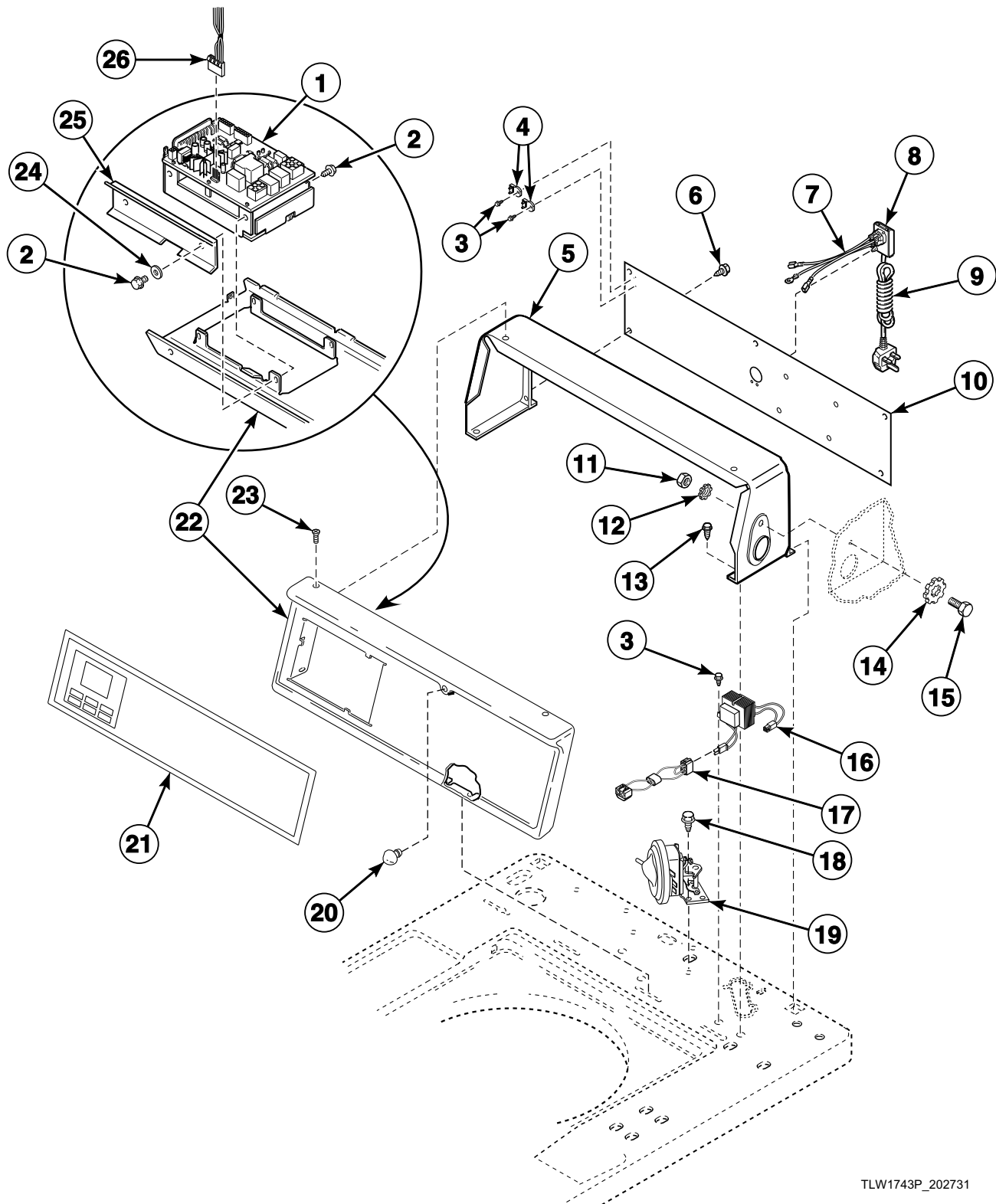
TLW1742P_202731

Control Panel, Control Hood and Controls (Drawing 6 of 12)

| REF | PART NO. | DESCRIPTION | COMMENTS |
|--------|----------|--|--|
| 1 | 202831P | Control Assembly | Models BWNBC2PP112TW01 and BWNBX2PP112TW01 |
| | 202392P | Control Assembly | All other models |
| 2 | D501524 | Screw | |
| 3 | 37075W | Control Hood | White |
| | 37075Q | Control Hood | Bisque |
| | 37075DG | Control Hood | Dark gray |
| 4 | 23222 | Screw | |
| 5 | 38267 | Hood Back Panel | |
| 6 | 44087101 | Nut | |
| 7 | 02431 | Washer | |
| 8 | D501086 | Screw | |
| 9 | M400017 | Washer | |
| 10 | 02916 | Screw | |
| 11 | D503661 | Screw | |
| 12 | 210100 | Resistor | Models NWNBX2SP302NW22, SWNBX2SP302NQ22, SWNBX2SP302NW22 and TWNBX2SP302NW22 |
| 13 | 803527P | Transformer | Models NWNBX2SP302NW22, SWNBX2SP082JW01, SWNBX2SP302NQ22, SWNBX2SP302NW22 and TWNBX2SP302NW22 |
| | 201375P | Transformer | Some models may have jumper wire attached to transformer. Discard jumper wire when replacing transformer.; Models BWNBX2PP112TW01, HWNBE2SP112CW01, HWNBX2SP112CW01, HWNBX2SP112FW28, PWNBX2PP112TG02, SWNBX2PP112TW02, SWNBX2SP112FW27, SWNBX2SP112TQ01 and SWNBX2SP112TW01 |
| | 210018P | Transformer | All other models |
| 14 | M413507 | Jumper Configuration Assembly | Models NWNBX2SP302NW22, SWNBX2SP302NQ22, SWNBX2SP302NW22 and TWNBX2SP302NW22 |
| 15 | 23962 | Screw | |
| 16 | 202655 | Pressure Switch | |
| 17 | 202469 | Control Panel Bumper | |
| | M400795 | Bumper | Extra thick |
| 18 | 202174 | Overlay | Models NWNBX2SP302NW22 and TWNBX2SP302NW22 |
| | 805914 | Label | Model TWNBX2SP302NW22 |
| | 200918 | Overlay | Models SWNBC2PP112TQ01, SWNBC2PP112TW01, SWNBC2PP112TW02, SWNBC2SP112TQ01, SWNBC2SP112TW01, SWNBX1SP122DW01, SWNBX2PP112TW02, SWNBX2SP082JW01, SWNBX2SP112FW27, SWNBX2SP112TQ01, SWNBX2SP112TW01, SWNBX2SP302NQ22 and SWNBX2SP302NW22 |
| | 200919 | Overlay | Models HWNBC2PP112TQ01, HWNBC2PP112TW01, HWNBD2SP112CQ01, HWNBD2SP112CW01, HWNBE2SP112CW01, HWNBX1SP122DW01, HWNBX2SP112CW01 and HWNBX2SP112FW28 |
| | 202098 | Overlay | Models BWNBC2PP112TW01 and BWNBX2PP112TW01 |
| 203526 | Overlay | Models PWNBC2PP112TG02 and PWNBX2PP112TG02 | |
| 19 | 202310 | Overlay | French/English; Models HWNBD2SP112CQ01, HWNBD2SP112CW01, HWNBE2SP112CW01 and HWNBX2SP112CW01 |
| 20 | 210042W | Control Panel Assembly | White |
| | 210042Q | Control Panel Assembly | Bisque |
| | 210042DG | Control Panel Assembly | Dark gray |
| 21 | 52864 | Screw | Phillips head |
| | 35528 | Screw | Torx head |
| 22 | 200608 | Washer | |
| 23 | 210053 | Control Shield | |
| 24 | D511478 | Central Pay Harness | |

Control Panel, Control Hood and Controls (Drawing 7 of 12)

Models BWNBX2PP302AW01, HWNBX1SP122DW01, HWNBX1SP542DW01, PWNBX2PP302AG02, SWNBX1SP122DW01, SWNBX1SP542DW01 and SWNBX2SP302AW01



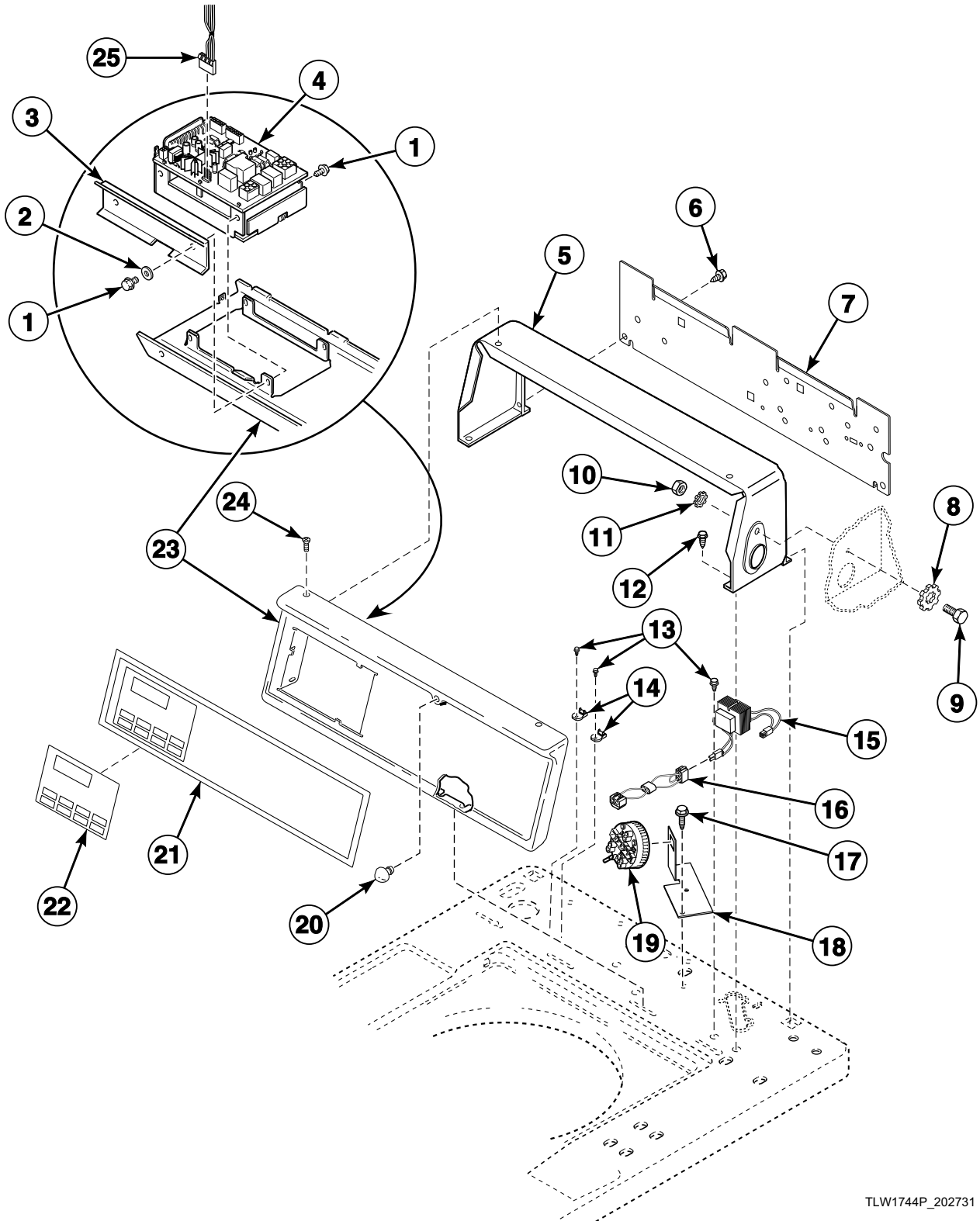
TLW1743P_202731

Control Panel, Control Hood and Controls (Drawing 7 of 12)

| REF | PART NO. | DESCRIPTION | COMMENTS |
|-----|----------|-------------------------------|---|
| 1 | 202831P | Control Assembly | Model BWNBX2PP302AW01 |
| | 202392P | Control Assembly | All other models |
| 2 | D501524 | Screw | |
| 3 | D503661 | Screw | |
| 4 | 210100 | Resistor | Models BWNBX2PP302AW01, HWNBX1SP542DW01, SWNBX1SP542DW01 and SWNBX2SP302AW01 |
| 5 | 37075W | Control Hood | White |
| | 37075DG | Control Hood | Dark gray |
| 6 | 23222 | Screw | |
| 7 | 39923 | Lead-In Wire Harness Assembly | Models BWNBX2PP302AW01, PWNBX2PP302AG02 and SWNBX2SP302AW01 |
| | 201405P | Lead-In Wire Harness Assembly | All other models |
| 8 | 39922 | Cable Connection Box | |
| 9 | 39931 | Power Cord Assembly | Models BWNBX2PP302AW01, PWNBX2PP302AG02 and SWNBX2SP302AW01 |
| | 804556 | Lead-In Cord Assembly | All other models |
| 10 | 203074 | Rear Panel | Models BWNBX2PP302AW01, PWNBX2PP302AG02 and SWNBX2SP302AW01 |
| | 39920 | Hood Back Panel | All other models |
| 11 | 44087101 | Nut | |
| 12 | 02431 | Washer | |
| 13 | D501086 | Screw | |
| 14 | M400017 | Washer | |
| 15 | 02916 | Screw | |
| 16 | 803527P | Transformer | Models BWNBX2PP302AW01, PWNBX2PP302AG02 and SWNBX2SP302AW01 |
| | 201375P | Transformer | All other models |
| 17 | M413507 | Jumper Configuration Assembly | Models BWNBX2PP302AW01, HWNBX1SP542DW01, PWNBX2PP302AG02, SWNBX1SP542DW01 and SWNBX2SP302AW01 |
| 18 | 23962 | Screw | |
| 19 | 202655 | Pressure Switch | |
| 20 | 202469 | Control Panel Bumper | |
| | M400795 | Bumper | Extra thick |
| 21 | 200919 | Overlay | Models HWNBX1SP122DW01 and HWNBX1SP542DW01 |
| | 202098 | Overlay | Model BWNBX2PP302AW01 |
| | 203526 | Overlay | Model PWNBX2PP302AG02 |
| | 200918 | Overlay | All other models |
| 22 | 210042W | Control Panel Assembly | White |
| | 210042DG | Control Panel Assembly | Dark gray |
| 23 | 52864 | Screw | |
| 24 | 200608 | Washer | |
| 25 | 210053 | Control Shield | |
| 26 | D511478 | Central Pay Harness | |

Control Panel, Control Hood and Controls (Drawing 8 of 12)

Models HWNLE2AP112CW01, HWNLE2HP112CW01, HWNLE2SP112CW01, HWNLX2HP112CW01, HWNLX2SP112CW01, SWNLC2AP112TW01, SWNLC2AP112TW02, SWNLC2HP112TQ01, SWNLC2HP112TW01, SWNLC2HP112TW02, SWNLC2PP112TW01, SWNLC2PP112TW02, SWNLC2SP112TQ01, SWNLC2SP112TW01, SWNLC2SP112TW02, SWNLX1SP542NW23, SWNLX2AP112TW02, SWNLX2HP112TW01, SWNLX2HP112TW02, SWNLX2PP112TW02, SWNLX2SP112TW01 and SWNLX2SP112TW02



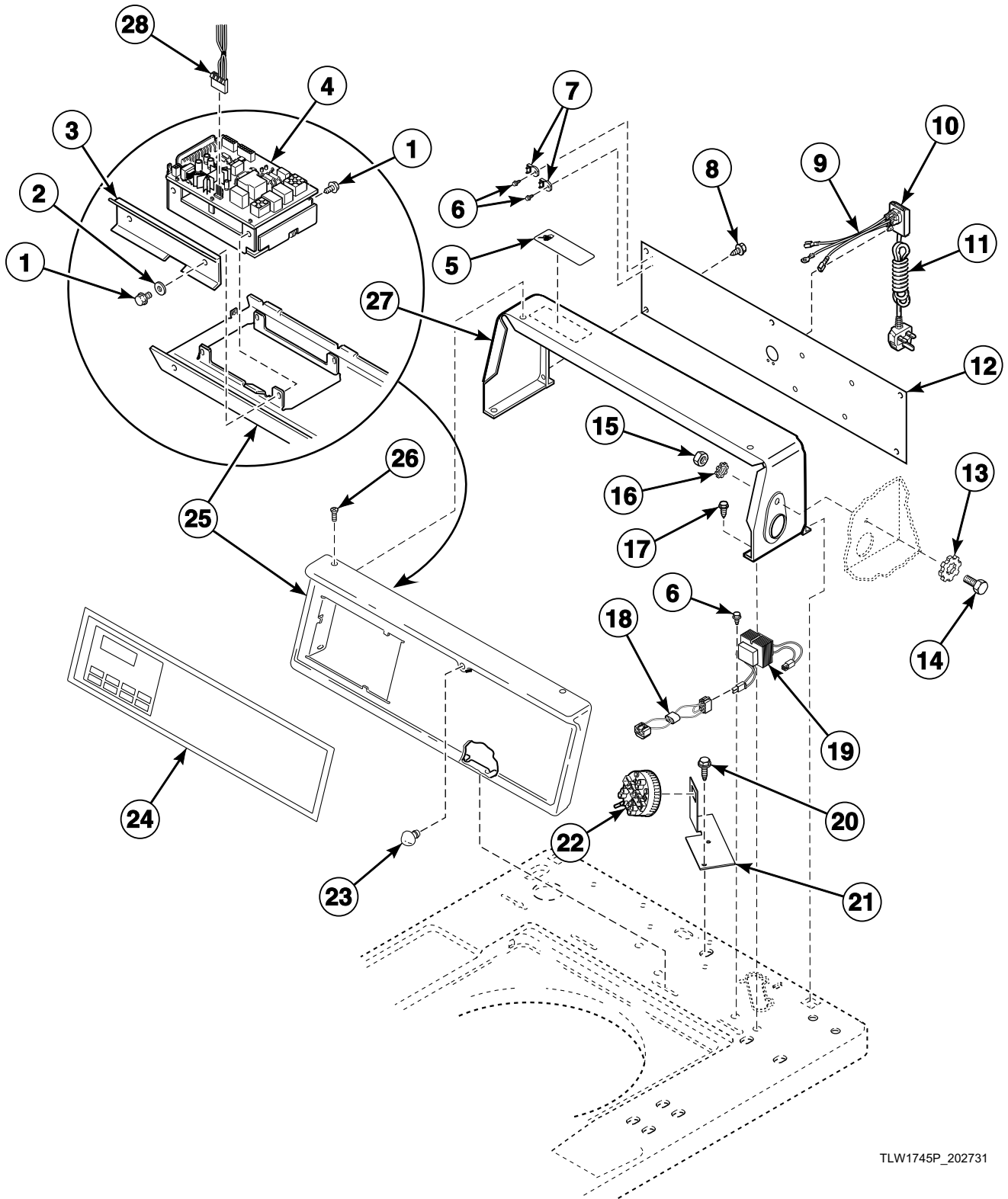
TLW1744P_202731

Control Panel, Control Hood and Controls (Drawing 8 of 12)

| REF | PART NO. | DESCRIPTION | COMMENTS |
|-----------|----------|-------------------------------|---|
| | 202828 | Options Label | English |
| | 202829 | Options Label | Spanish |
| | NK201 | Network Retrofit Kit | Wired |
| | NK220 | Network Controller Kit | Wired |
| | NK301 | Wireless Network Kit | |
| | NK320 | Ethernet Gateway Kit | Wireless |
| | NK330 | USB Gateway Kit | Wireless |
| 1 | D501524 | Screw | |
| 2 | 200608 | Washer | |
| 3 | 210053 | Control Shield | |
| 4 | 202820P | Control Assembly | Models HWNLE2AP112CW01, HWNLE2HP112CW01, HWNLX2HP112CW01, SWNLC2AP112TW01, SWNLC2AP112TW02, SWNLC2HP112TW01, SWNLC2HP112TW02, SWNLX2AP112TW02, SWNLX2HP112TW01 and SWNLX2HP112TW02 |
| | 202391P | Control Assembly | All other models |
| 5 | 37075Q | Control Hood | Model SWNLC2SP112TQ01 |
| | 37075W | Control Hood | All other models |
| 6 | 23222 | Screw | |
| 7 | 38267 | Hood Back Panel | |
| 8 | M400017 | Washer | |
| 9 | 02916 | Screw | |
| 10 | 44087101 | Nut | |
| 11 | 02431 | Washer | |
| 12 | D501086 | Screw | |
| 13 | D503661 | Screw | |
| 14 | 210100 | Resistor | Model SWNLX1SP542NW23 |
| 15 | 201375P | Transformer | Some models may have jumper wire attached to transformer. Discard jumper wire when replacing transformer; Models HWNLE2AP112CW01, HWNLE2HP112CW01, HWNLE2SP112CW01, HWNLX2HP112CW01, HWNLX2SP112CW01, SWNLX2AP112TW02, SWNLX2HP112TW01, SWNLX2HP112TW02, SWNLX2PP112TW02, SWNLX2SP112TW01 and SWNLX2SP112TW02 |
| | 803527P | Transformer | Model SWNLX1SP542NW23 |
| | 210018P | Transformer | All other models |
| 16 | M413507 | Jumper Configuration Assembly | Model SWNLX1SP542NW23 |
| 17 | 23962 | Screw | |
| 18 | 201789 | Pressure Switch Bracket | |
| 19 | 803637 | Pressure Switch | 2 level; Service only switch |
| | 803638P | Pressure Switch | 3 level |
| 20 | 202469 | Control Panel Bumper | |
| | M400795 | Bumper | Extra thick |
| 21 | 202417 | Control Overlay | Models HWNLE2AP112CW01, HWNLE2HP112CW01, HWNLE2SP112CW01, HWNLX2HP112CW01 and HWNLX2SP112CW01 |
| | 202416 | Control Panel Overlay | All other models |
| 22 | 202309 | Control Sticker Overlay | French/English; Models HWNLE2AP112CW01, HWNLE2HP112CW01, HWNLE2SP112CW01, HWNLX2HP112CW01 and HWNLX2SP112CW01 |
| 23 | 210042Q | Control Panel Assembly | Models SWNLC2HP112TQ01 and SWNLC2SP112TQ01 |
| | 210042W | Control Panel Assembly | All other models |
| 24 | 52864 | Screw | Phillips head |
| | 35528 | Screw | Torx head |
| 25 | D511478 | Central Pay Harness | |

Control Panel, Control Hood and Controls (Drawing 9 of 12)

Models HWNLX1SP122DW01, HWNLX1SP542DW01, SWNLX1SP122DW01,
SWNLX1SP542DW01 and SWNLX2SP302AW01



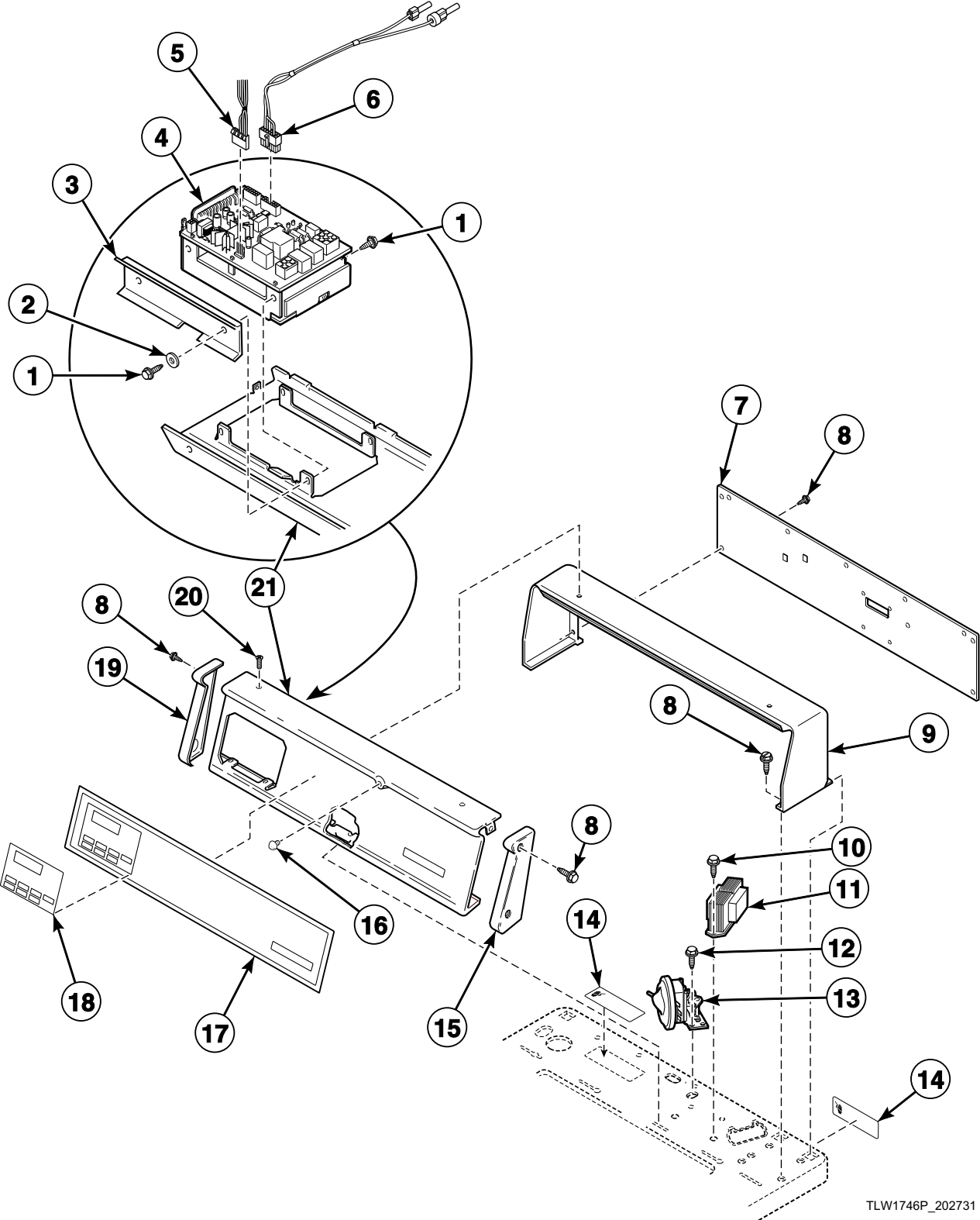
TLW1745P_202731

Control Panel, Control Hood and Controls (Drawing 9 of 12)

| REF | PART NO. | DESCRIPTION | COMMENTS |
|-----------|----------|-------------------------------|---|
| | 202829 | Options Label | Spanish |
| | NK201 | Network Retrofit Kit | Wired |
| | NK220 | Network Controller Kit | Wired |
| | NK301 | Wireless Network Kit | |
| | NK320 | Ethernet Gateway Kit | Wireless |
| | NK330 | USB Gateway Kit | Wireless |
| 1 | D501524 | Screw | |
| 2 | 200608 | Washer | |
| 3 | 210053 | Control Shield | |
| 4 | 202391P | Control Assembly | |
| 5 | D511021 | Shock Warning Label | |
| 6 | D503661 | Screw | |
| 7 | 210100 | Resistor | Models HWNLX1SP542DW01, SWNLX1SP542DW01 and SWNLX2SP302AW01 |
| 8 | 23222 | Screw | |
| 9 | 201405P | Lead-In Wire Harness Assembly | |
| 10 | 39922 | Cable Connection Box | |
| 11 | 39931 | Power Cord Assembly | Model SWNLX2SP302AW01 |
| | 804556 | Lead-In Cord Assembly | All other models |
| 12 | 39920 | Hood Back Panel | Model SWNLX2SP302AW01 through Serial No. 1404009800; All other models |
| | 203074 | Rear Panel | Model SWNLX2SP302AW01 starting Serial No. 1404009801 |
| 13 | M400017 | Washer | |
| 14 | 02916 | Screw | |
| 15 | 44087101 | Nut | |
| 16 | 02431 | Washer | |
| 17 | D501086 | Screw | |
| 18 | M413507 | Jumper Configuration Assembly | Models HWNLX1SP542DW01, SWNLX1SP542DW01 and SWNLX2SP302AW01 |
| 19 | 803527P | Transformer | Models HWNLX1SP542DW01, SWNLX1SP542DW01 and SWNLX2SP302AW01 |
| | 201375P | Transformer | All other models |
| 20 | 23962 | Screw | |
| 21 | 201789 | Pressure Switch Bracket | |
| 22 | 803638P | Pressure Switch | |
| | 803637 | Pressure Switch | Use for higher water level |
| 23 | 202469 | Control Panel Bumper | |
| | M400795 | Bumper | Extra thick |
| 24 | 202417 | Control Overlay | Models HWNLX1SP122DW01 and HWNLX1SP542DW01 |
| | 202416 | Control Panel Overlay | All other models |
| 25 | 210042W | Control Panel Assembly | |
| 26 | 52864 | Screw | Phillips head |
| | 35528 | Screw | Torx head |
| 27 | 37075W | Control Hood | |
| 28 | D511478 | Central Pay Harness | |

Control Panel, Control Hood and Controls (Drawing 10 of 12)

Models BWNBY2PP112TW01, HWNBY2PP112TW01, HWNBY2SP112CW01, SWNBY2PP112TW01 and SWNBY2SP112TW01



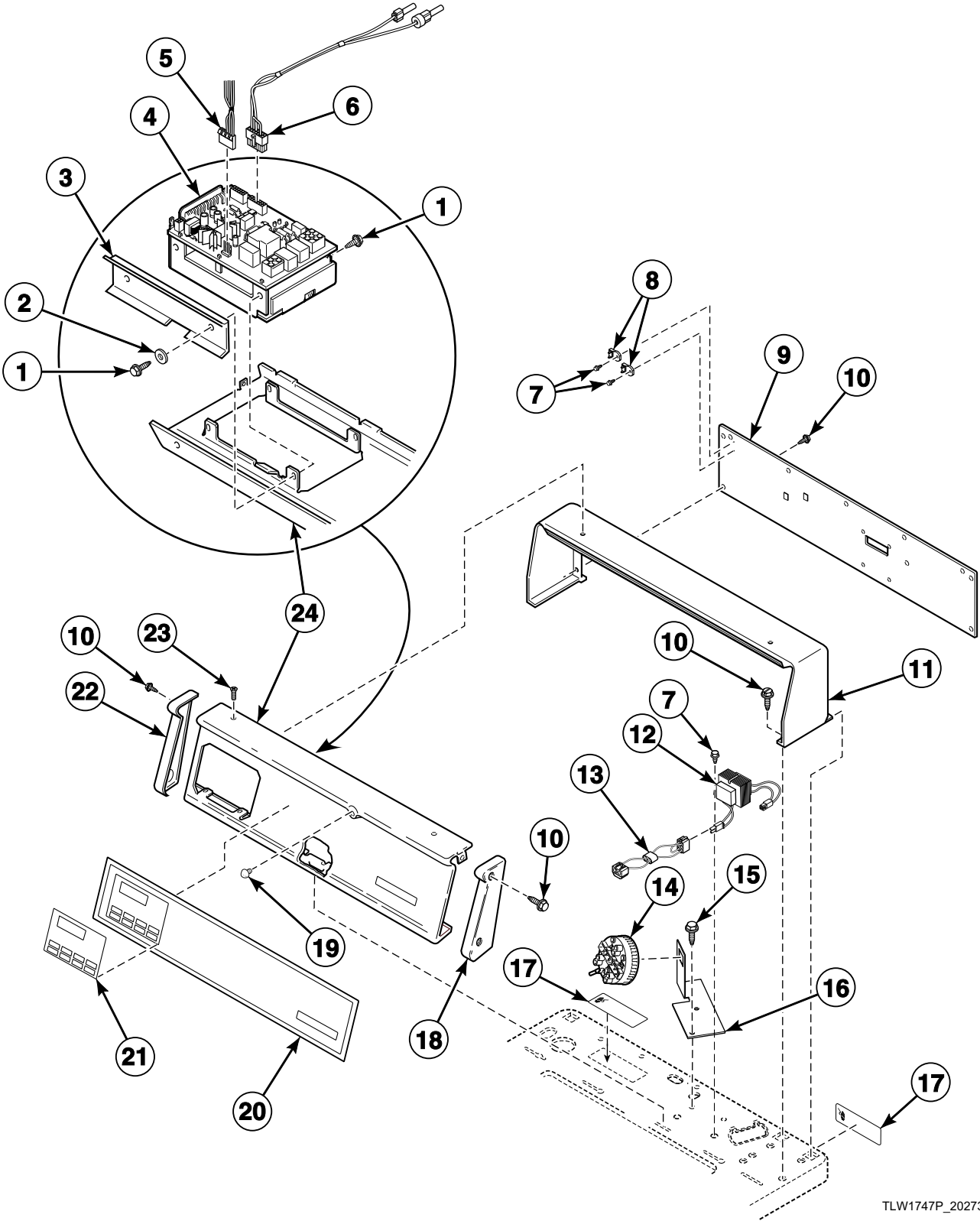
TLW1746P_202731

Control Panel, Control Hood and Controls (Drawing 10 of 12)

| REF | PART NO. | DESCRIPTION | COMMENTS |
|-----|----------|----------------------------------|--|
| 1 | D501524 | Screw | |
| 2 | 200608 | Washer | |
| 3 | 210053 | Control Shield | |
| 4 | 202831P | Control Assembly | Model BWNBY2PP112TW01 |
| | 202392P | Control Assembly | All other models |
| 5 | D511478 | Central Pay Harness | |
| 6 | 800680 | Diagnostic Wire Harness Assembly | |
| 7 | 210143 | Rear Panel | |
| 8 | D501086 | Screw | |
| 9 | 210142W | Control Hood | |
| 10 | D503661 | Screw | |
| 11 | 201375P | Transformer | Some models may have jumper wire attached to transformer. Discard jumper wire when replacing transformer |
| 12 | 23962 | Screw | |
| 13 | 202655 | Pressure Switch | |
| 14 | D505281 | Disconnect Power Warning Label | Models BWNBY2PP112TW01, SWNBY2PP112TW01 and SWNBY2SP112TW01 |
| | D500316 | Warning Label | Models HWNBY2PP112TW01 and HWNBY2SP112CW01 |
| 15 | 210108W | End Cap | Right |
| 16 | 202469 | Control Panel Bumper | |
| | M400795 | Bumper | Extra thick |
| 17 | 201003 | Control Panel Overlay | Models BWNBY2PP112TW01, SWNBY2PP112TW01 and SWNBY2SP112TW01 |
| | 201007 | Control Panel Overlay | Models HWNBY2PP112TW01 and HWNBY2SP112CW01 |
| 18 | 202310 | Overlay | French/English; Models HWNBY2PP112TW01 and HWNBY2SP112CW01 |
| | 202832 | Overlay | Model BWNBY2PP112TW01 |
| 19 | 210109W | End Cap | Left |
| 20 | 52864 | Screw | |
| 21 | 210137W | Control Panel Assembly | |

Control Panel, Control Hood and Controls (Drawing 11 of 12)

Models HWNLY2HP112CW01, HWNLY2SP112CW01, SWNLY2AP112TW01, SWNLY2HP112TW01, SWNLY2PP112TW01, SWNLY2SP112TW01 and SWNLY2SP302NW22



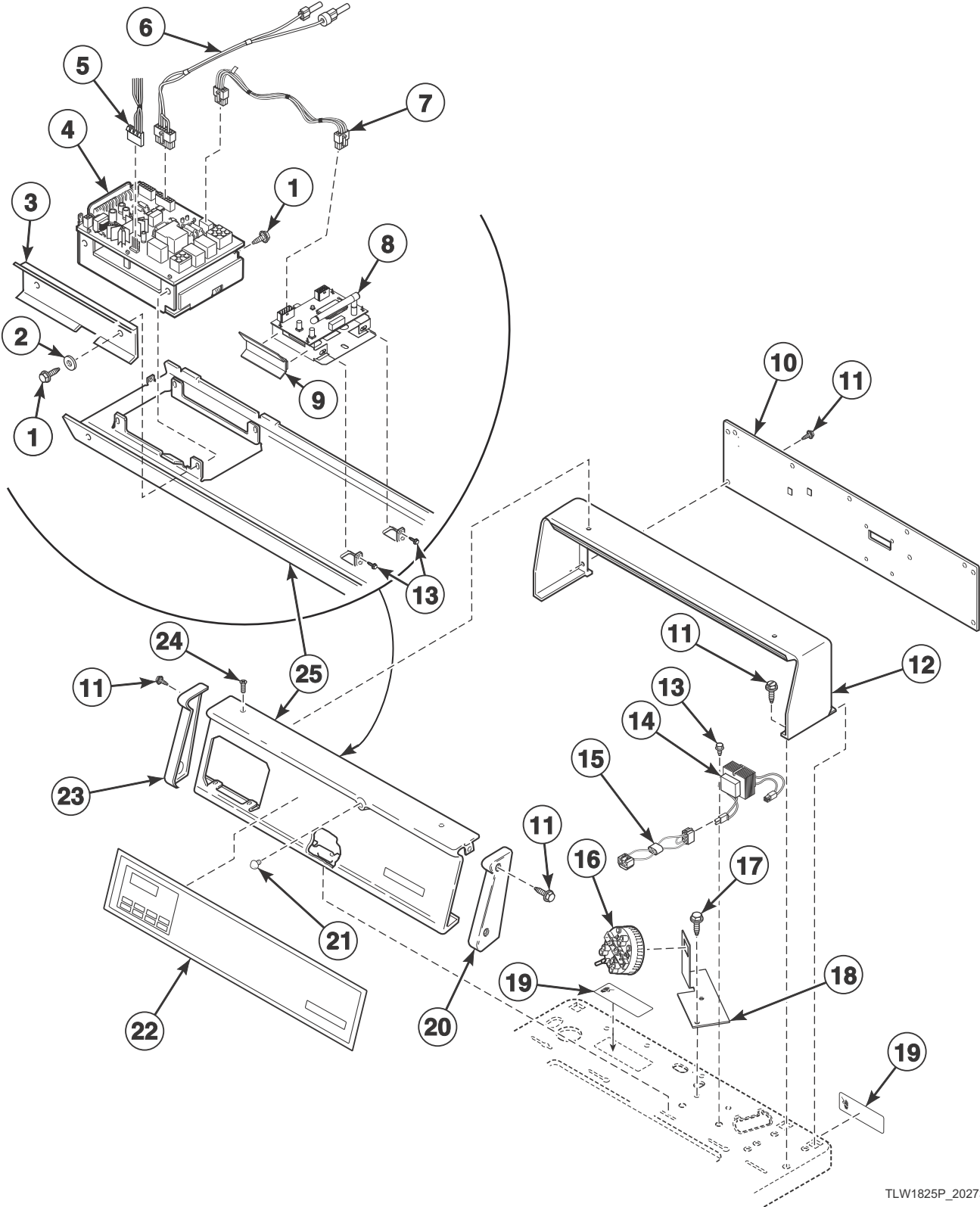
TLW1747P_202731

Control Panel, Control Hood and Controls (Drawing 11 of 12)

| REF | PART NO. | DESCRIPTION | COMMENTS |
|-----------|----------|----------------------------------|---|
| | 202829 | Options Label | Spanish |
| | NK201 | Network Retrofit Kit | Wired |
| | NK220 | Network Controller Kit | Wired |
| | NK301 | Wireless Network Kit | |
| | NK320 | Ethernet Gateway Kit | Wireless |
| | NK330 | USB Gateway Kit | Wireless |
| 1 | D501524 | Screw | |
| 2 | 200608 | Washer | |
| 3 | 210053 | Control Shield | |
| 4 | 202820P | Control Assembly | Models HWNLY2HP112CW01, SWNLY2AP112TW01 and SWNLY2HP112TW01 |
| | 202391P | Control Assembly | All other models |
| 5 | D511478 | Central Pay Harness | |
| 6 | 800680 | Diagnostic Wire Harness Assembly | |
| 7 | D503661 | Screw | Model SWNLY2SP302NW22 |
| 8 | 210100 | Resistor | Model SWNLY2SP302NW22 |
| 9 | 210143 | Rear Panel | |
| 10 | D501086 | Screw | |
| 11 | 210142W | Control Hood | |
| 12 | 803527P | Transformer | Model SWNLY2SP302NW22 |
| | 201375P | Transformer | Some models may have jumper wire attached to transformer. Discard jumper wire when replacing transformer.; All other models |
| 13 | M413507 | Jumper Configuration Assembly | |
| 14 | 803637 | Pressure Switch | Service only switch; Models HWNLY2HP112CW01, SWNLY2AP112TW01 and SWNLY2HP112TW01 |
| | 803638P | Pressure Switch | All other models |
| 15 | 23962 | Screw | |
| 16 | 201789 | Pressure Switch Bracket | |
| 17 | D500316 | Warning Label | Models HWNLY2HP112CW01 and HWNLY2SP112CW01 |
| | D505281 | Disconnect Power Warning Label | All other models |
| 18 | 210108W | End Cap | Right |
| 19 | 202469 | Control Panel Bumper | |
| | M400795 | Bumper | Extra thick |
| 20 | 202418 | Control Overlay | Models HWNLY2HP112CW01 and HWNLY2SP112CW01 |
| | 202415 | Control Overlay | All other models |
| 21 | 202309 | Control Sticker Overlay | French/English; Models HWNLY2HP112CW01 and HWNLY2SP112CW01 |
| 22 | 210109W | End Cap | Left |
| 23 | 52864 | Screw | |
| 24 | 210137W | Control Panel Assembly | |

Control Panel, Control Hood and Controls (Drawing 12 of 12)

Models SWNWX2AP112TW11 and SWNWX2HP112TW11



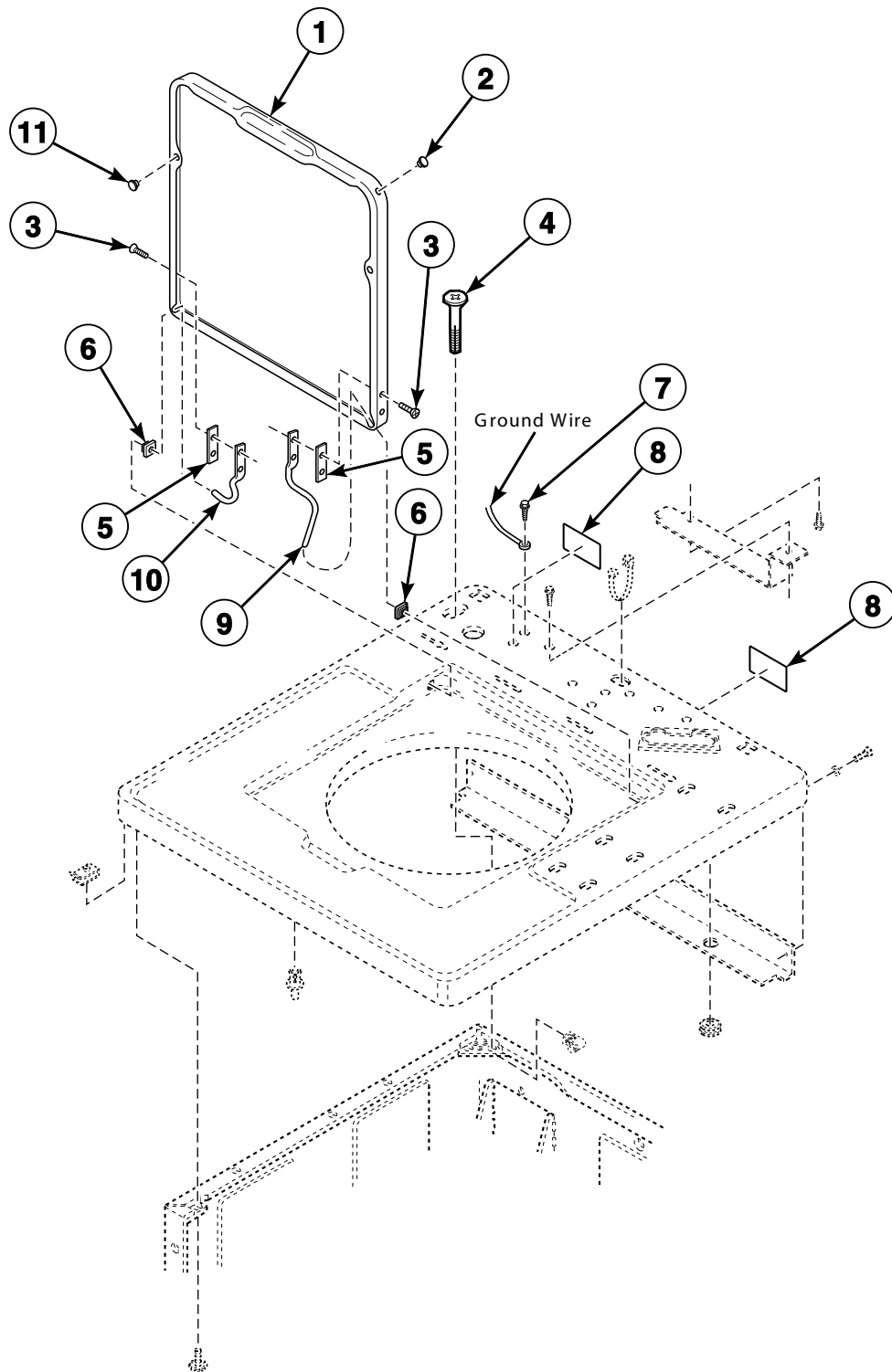
TLW1825P_202731

Control Panel, Control Hood and Controls (Drawing 12 of 12)

| REF | PART NO. | DESCRIPTION | COMMENTS |
|-----|-----------|----------------------------------|-------------|
| | NK320 | Ethernet Gateway Kit | Wireless |
| | NK330 | USB Gateway Kit | Wireless |
| 1 | D501524 | Screw | |
| 2 | 200608 | Washer | |
| 3 | 210053 | Control Shield | |
| 4 | 202820P | Control Assembly | |
| 5 | D511478 | Central Pay Harness | |
| 6 | 800680 | Diagnostic Wire Harness Assembly | |
| 7 | 44088501P | Network Wire Harness Assembly | |
| 8 | 202335 | Wireless Transceiver Assembly | |
| 9 | D501441 | Electronic Control Shield | |
| 10 | 210143 | Rear Panel | |
| 11 | D501086 | Screw | |
| 12 | 210142W | Control Hood | |
| 13 | D503661 | Screw | |
| 14 | 201375P | Transformer | |
| 15 | M413507 | Jumper Configuration Assembly | |
| 16 | 201789 | Pressure Switch Bracket | |
| 17 | 23962 | Screw | |
| 18 | 803638P | Pressure Switch | |
| 19 | D505281 | Disconnect Power Warning Label | |
| 20 | 210108W | End Cap | Right |
| 21 | 202469 | Control Panel Bumper | |
| | M400795 | Bumper | Extra thick |
| 22 | 202415 | Control Overlay | |
| 23 | 210109W | End Cap | Left |
| 24 | 52864 | Screw | |
| 25 | 210137W | Control Panel Assembly | |

Lid

All Models Except GWNSX1PP302EW09, HWNSX1SP302UW09 and SWNSX1SP302EW09



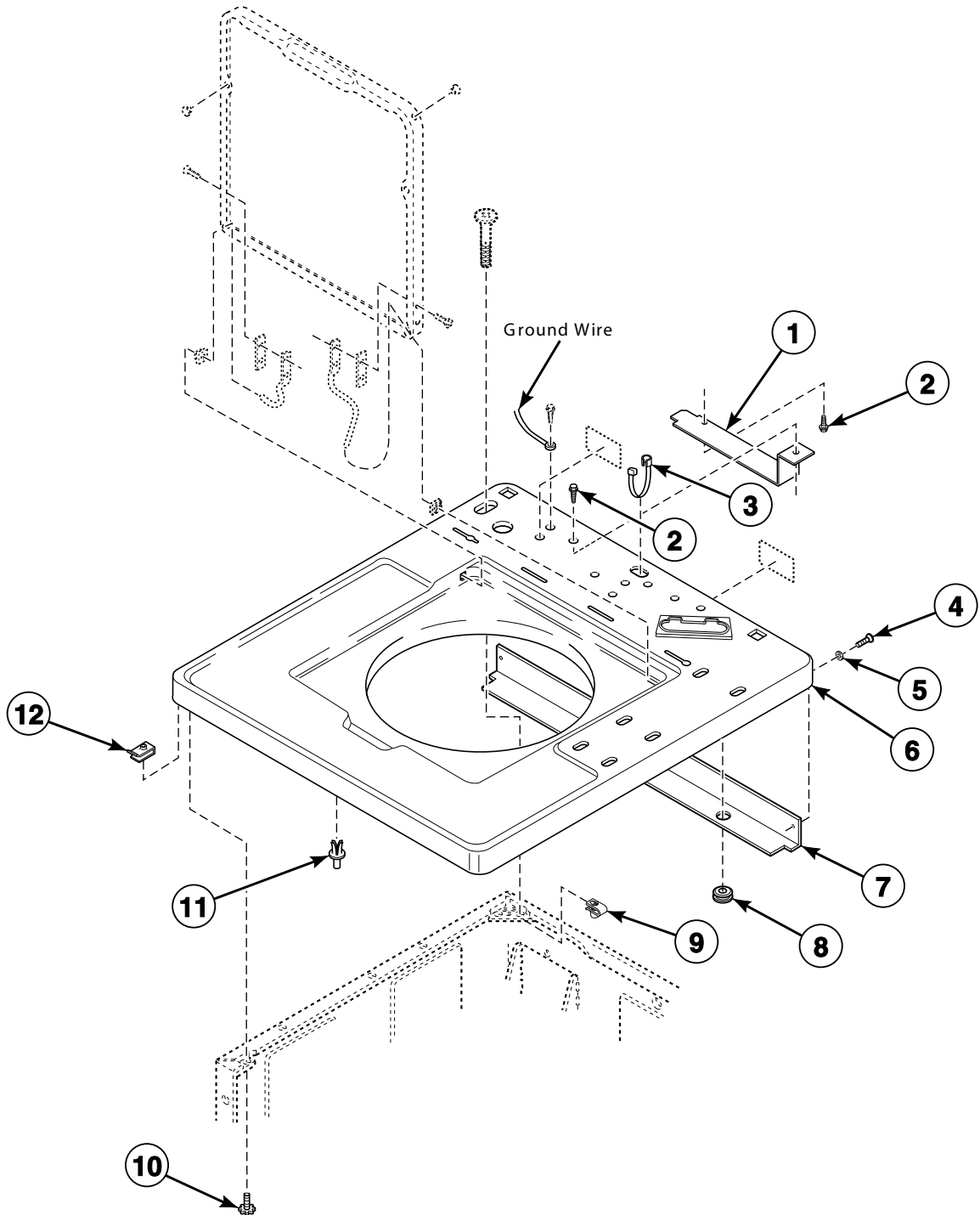
TLW1712P_202731

Lid

| REF | PART NO. | DESCRIPTION | COMMENTS |
|-----|----------|--------------------------------|--|
| 1 | 33450DG | Lid | Models PWNBC2PP112TG02, PWNBX2PP112TG02, PWNBX2PP302AG02 and PWNSX2PP112TG02 |
| | 200891Q | Lid | Model HWNBD2SP112CQ01 |
| | 201460QP | Lid and Carton Assembly | Models HWNBC2PP112TQ01, SWNBC2PP112TQ01, SWNBC2SP112TQ01, SWNBX2SP112TQ01, SWNBX2SP302NQ22, SWNLC2HP112TQ01 and SWNLC2SP112TQ01 |
| | 201761WP | Lid | Models BWNMN2PP112CW01, BWNSX2PP112CW01, HWNBD2SP112CW01, HWNBE2SP112CW01, HWNBX2SP112CW01, HWNBY2SP112CW01, HWNLE2AP112CW01, HWNLE2HP112CW01, HWNLE2SP112CW01, HWNLX2HP112CW01, HWNLX2SP112CW01, HWNLY2HP112CW01, HWNLY2SP112CW01, HWNMN2SP112CW01, HWNSX1SP112CW01, HWNSX2SP112CW01, SWNMN2SP112CW01, SWNSX2SP112CW02 and UWNMN2SP112CW01 |
| | 201760QP | Lid | Bisque; Models HWNSX1PP112TQ01, HWNSX2PP112TQ01, SWNSX1PP112TQ01, SWNSX1SP112TQ01, SWNSX1SP302SQ01, SWNSX2PP112TQ01 and SWNSX2SP112TQ01 |
| | 204615W | Lid | White; All other models |
| 2 | 34153 | Lid Plug | Plug not used on all lids |
| 3 | 34337 | Screw | |
| 4 | D503673 | Screw | Optional; For added security |
| 5 | 34338 | Hinge Gasket | |
| 6 | 33446 | Bushing | |
| 7 | 52909 | Screw | |
| 8 | D500316 | Warning Label | Models BWNMN2PP112CW01, BWNSX2PP112CW01, HWNBD2SP112CQ01, HWNBD2SP112CW01, HWNBE2SP112CW01, HWNBX2SP112CW01, HWNBY2SP112CW01, HWNLE2AP112CW01, HWNLE2HP112CW01, HWNLE2SP112CW01, HWNLX2HP112CW01, HWNLX2SP112CW01, HWNLY2HP112CW01, HWNLY2SP112CW01, HWNMN2SP112CW01, HWNSX1SP112CW01, HWNSX2SP112CW01, SWNMN2SP112CW01, SWNSX2SP112CW02 and UWNMN2SP112CW01 |
| | F8211201 | Electrical Shock Label | Models HWNBX1SP122DW01, HWNBX1SP542DW01, HWNLX1SP122DW01, HWNLX1SP542DW01, SWNBX1SP122DW01, SWNBX1SP542DW01, SWNLX1SP122DW01, SWNLX1SP542DW01 and SWNSX1SP302UW01 |
| | D505281 | Disconnect Power Warning Label | All other models |
| 9 | 36437 | Lid Hinge | Right |
| 10 | 36438 | Lid Hinge | Left |
| 11 | 21685 | Bumper | |

Cabinet Top

All Models Except GWNSX1PP302EW09, HWNSX1SP302UW09 and SWNSX1SP302EW09



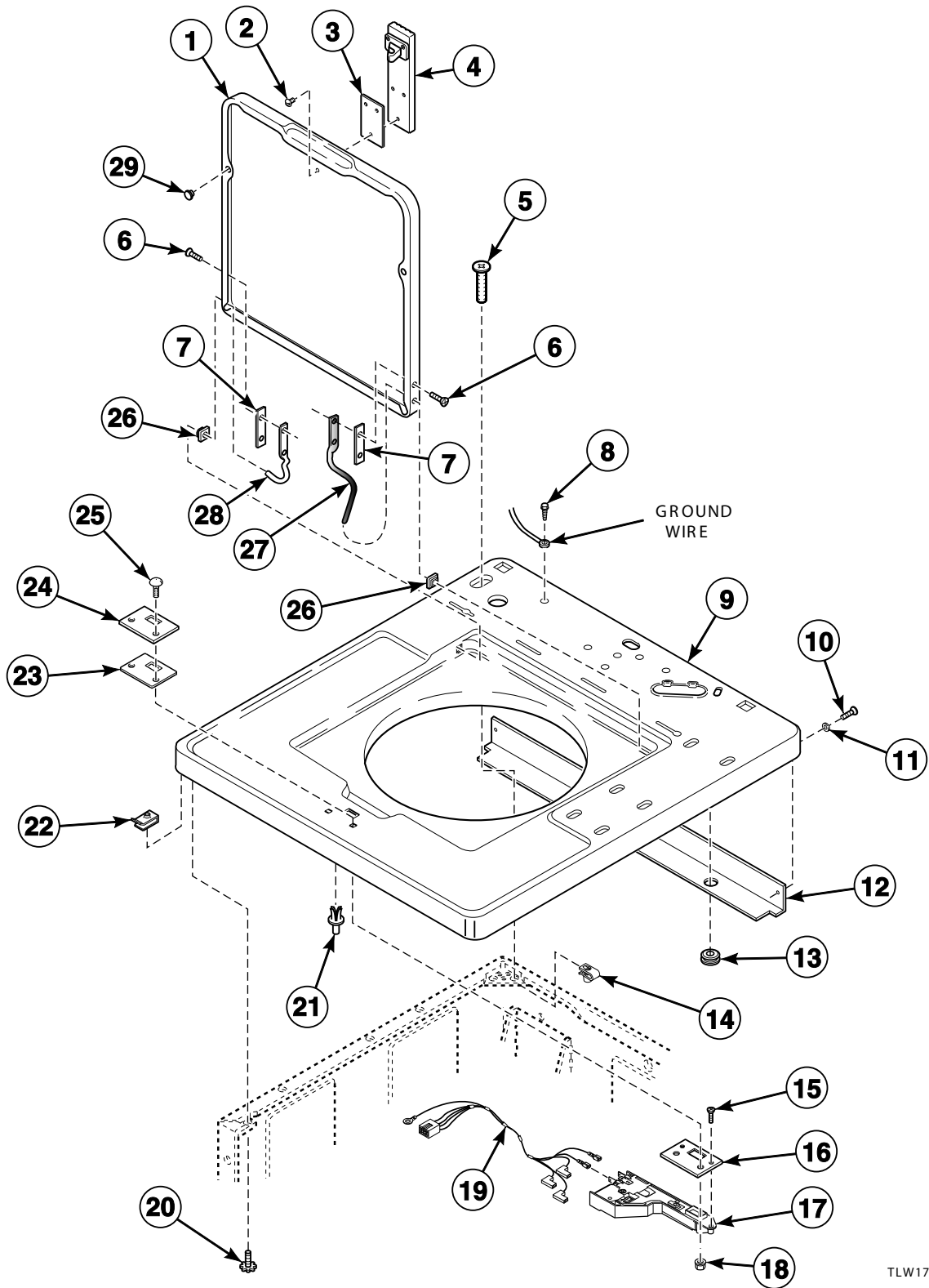
TLW1712PA_202731

Cabinet Top

| REF | PART NO. | DESCRIPTION | COMMENTS |
|-----|----------|----------------|--|
| 1 | 202083 | Bracket | |
| 2 | 23962 | Screw | |
| 3 | 38384 | Strain Relief | |
| 4 | 431287 | Screw | Models BWNBX2PP302AW01, BWNMN2PP302AW01, GWNMN1PP302AW01, GWNMN2PP302AW01, GWNSX1PP302AW01, GWNSX2PP302AW01, PWNBX2PP302AG02, SWNBX2SP302AW01, SWNLX2SP302AW01, SWNMN1SP302AW01, SWNSX1PP302AW01, SWNSX1SP302AW01, SWNSX1SP302BW01 and SWNSX1SP302UW01 |
| 5 | 39249 | Washer | Models BWNBX2PP302AW01, BWNMN2PP302AW01, GWNMN1PP302AW01, GWNMN2PP302AW01, GWNSX1PP302AW01, GWNSX2PP302AW01, PWNBX2PP302AG02, SWNBX2SP302AW01, SWNLX2SP302AW01, SWNMN1SP302AW01, SWNSX1PP302AW01, SWNSX1SP302AW01, SWNSX1SP302BW01 and SWNSX1SP302UW01 |
| 6 | 210173WP | Top Assembly | Models BWNBY2PP112TW01, BWNMN2PP112CW01, BWNMN2PP302AW01, GWNMN1PP302AW01, GWNMN2PP302AW01, GWNMN2PP302NW01, GWNMN2PP112TW01, HWNBY2PP112TW01, HWNBY2SP112CW01, HWNLY2HP112CW01, HWNLY2SP112CW01, HWNMN2PP112TW01, HWNMN2SP112CW01, NWNMN1SP542NW22, NWNMN2SP302NW22, SWNBY2PP112TW01, SWNBY2SP112TW01, SWNLY2AP112TW01, SWNLY2HP112TW01, SWNLY2PP112TW01, SWNLY2SP112TW01, SWNLY2SP302NW22, SWNMN1SP302AW01, SWNMN1SP302NW22, SWNMN1SP302SW01, SWNMN2PP112TW01, SWNMN2SP112CW01, SWNMN2SP112TW01, SWNMN2SP112TW08, SWNWY2AP112TW11, SWNWY2HP112TW11 and UWNMN2SP112CW01 |
| | 39339W | Top Assembly | Models SWNBX2SP082JW01 and SWNSX1SP302UW01 |
| | 203579DG | Top | Models PWNBC2PP112TG02, PWNBX2PP112TG02, PWNBX2PP302AG02 and PWNSX2PP112TG02 |
| | 39167QP | Top | Models HWNBC2PP112TQ01, HWNBD2SP112CQ01, HWNSX1PP112TQ01, HWNSX2PP112TQ01, SWNBC2PP112TQ01, SWNBC2SP112TQ01, SWNBX2SP112TQ01, SWNBX2SP302NQ22, SWNLC2HP112TQ01, SWNLC2SP112TQ01, SWNSX1PP112TQ01, SWNSX1SP112TQ01, SWNSX1SP302SQ01, SWNSX2PP112TQ01 and SWNSX2SP112TQ01 |
| | 39167WP | Top | All other models |
| 7 | 39744 | Top Shield | Models GWNMN1PP302AW01, GWNMN2PP302AW01, GWNSX1PP302AW01, GWNSX2PP302AW01, PWNBX2PP302AG02 and SWNSX1SP302UW01; Models BWNBX2PP302AW01, BWNMN2PP302AW01, SWNBX2SP302AW01, SWNLX2SP302AW01, SWNMN1SP302AW01, SWNSX1PP302AW01, SWNSX1SP302AW01 and SWNSX1SP302BW01 through Serial No. 1404009800 |
| | 202932 | Top Shield | Models BWNMN2PP302AW01 and SWNMN1SP302AW01 starting Serial No. 1404009801 |
| | 202977 | Top Shield | Models BWNBX2PP302AW01, SWNBX2SP302AW01, SWNLX2SP302AW01, SWNSX1PP302AW01 and SWNSX1SP302AW01 starting Serial No. 1404009801 |
| 8 | 80262 | Grommet | Models BWNBX2PP302AW01, BWNMN2PP302AW01, GWNSX1PP302AW01, GWNSX2PP302AW01, PWNBX2PP302AG02, SWNBX2SP302AW01, SWNLX2SP302AW01, SWNSX1PP302AW01, SWNSX1SP302AW01 and SWNSX1SP302BW01 |
| 9 | 27222 | Nut | Optional; For added security |
| 10 | 23008 | Screw | |
| 11 | 56534 | Support Barrel | |
| 12 | 36020 | Nut | |

Lid, Lid Lock and Cabinet Top

Models GWNSX1PP302EW09, HWNSX1SP302UW09 and SWNSX1SP302EW09

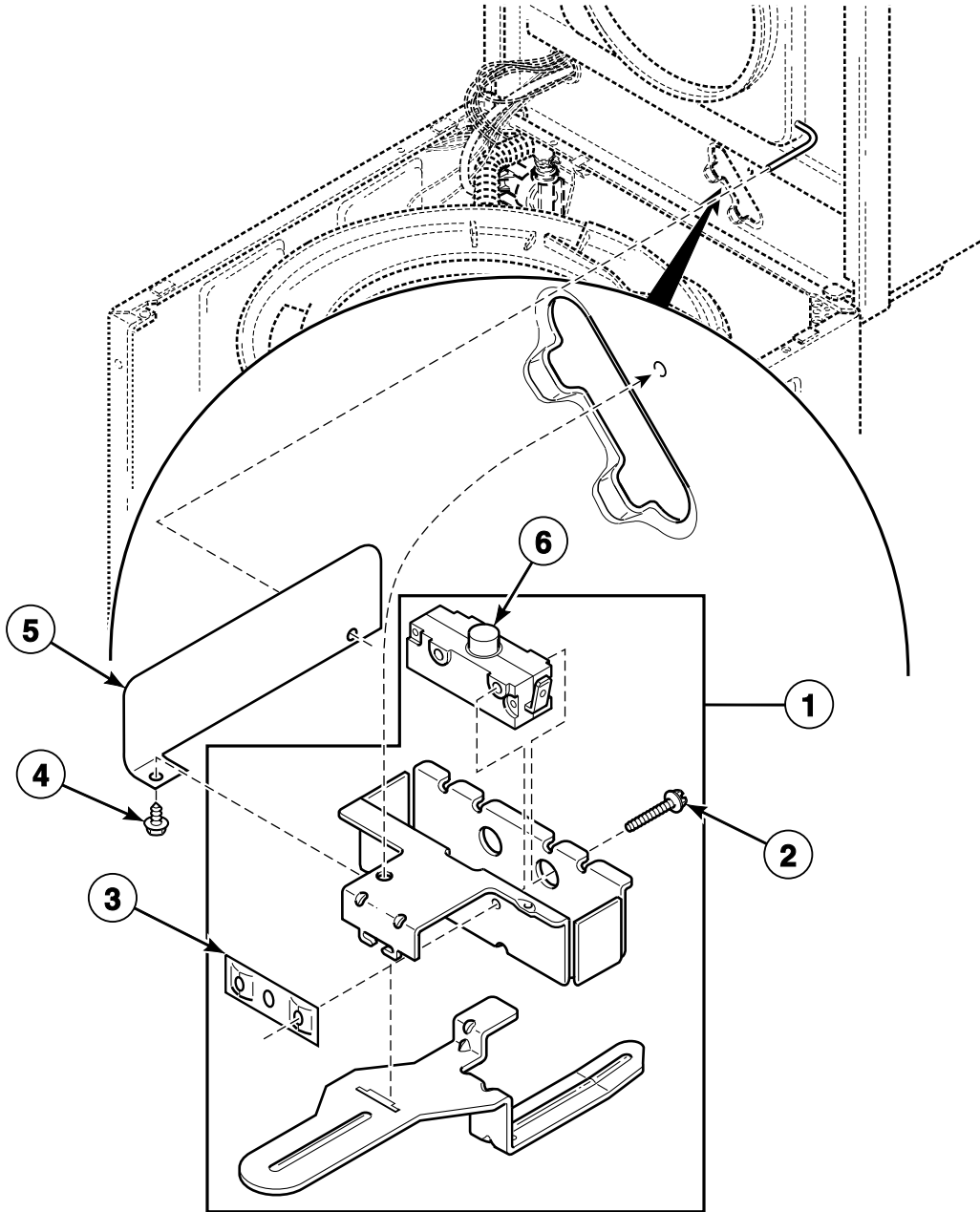


TLW1728P_202731

Lid, Lid Lock and Cabinet Top

| REF | PART NO. | DESCRIPTION | COMMENTS |
|-----|----------|--------------------------------|------------------------------|
| | 837P3 | Lid Lock Kit | Includes items 4, 15 and 17 |
| 1 | 200892WP | Lid | |
| 2 | 201415 | Screw | |
| 3 | 201414 | Door Lock Spacer | |
| 4 | 201307P | Lid Lock Catch Assembly | Includes item 3 |
| 5 | D503673 | Screw | Optional; For added security |
| 6 | 34337 | Screw | |
| 7 | 34338 | Hinge Gasket | |
| 8 | 52909 | Screw | |
| 9 | 39184WP | Top Assembly | |
| 10 | 431287 | Screw | |
| 11 | 39249 | Washer | |
| 12 | 39744 | Top Shield | |
| 13 | 80262 | Grommet | |
| 14 | 27222 | Nut | Optional; For added security |
| 15 | 202623 | Screw | |
| 16 | 29676 | Switch Mounting Plate | |
| 17 | 202434 | Lid Lock | |
| 18 | 22001 | Nut | |
| 19 | 31973 | Lid Lock Wire Harness Assembly | |
| 20 | 23008 | Screw | |
| 21 | 56534 | Support Barrel | |
| 22 | 36020 | Nut | |
| 23 | 30378 | Lid Lock Gasket | |
| 24 | 37828P | Cover Plate | |
| 25 | 32184 | Bolt | |
| 26 | 33446 | Bushing | |
| 27 | 36437 | Lid Hinge | Right |
| 28 | 36438 | Lid Hinge | Left |
| 29 | 21685 | Bumper | |

Lid Switch

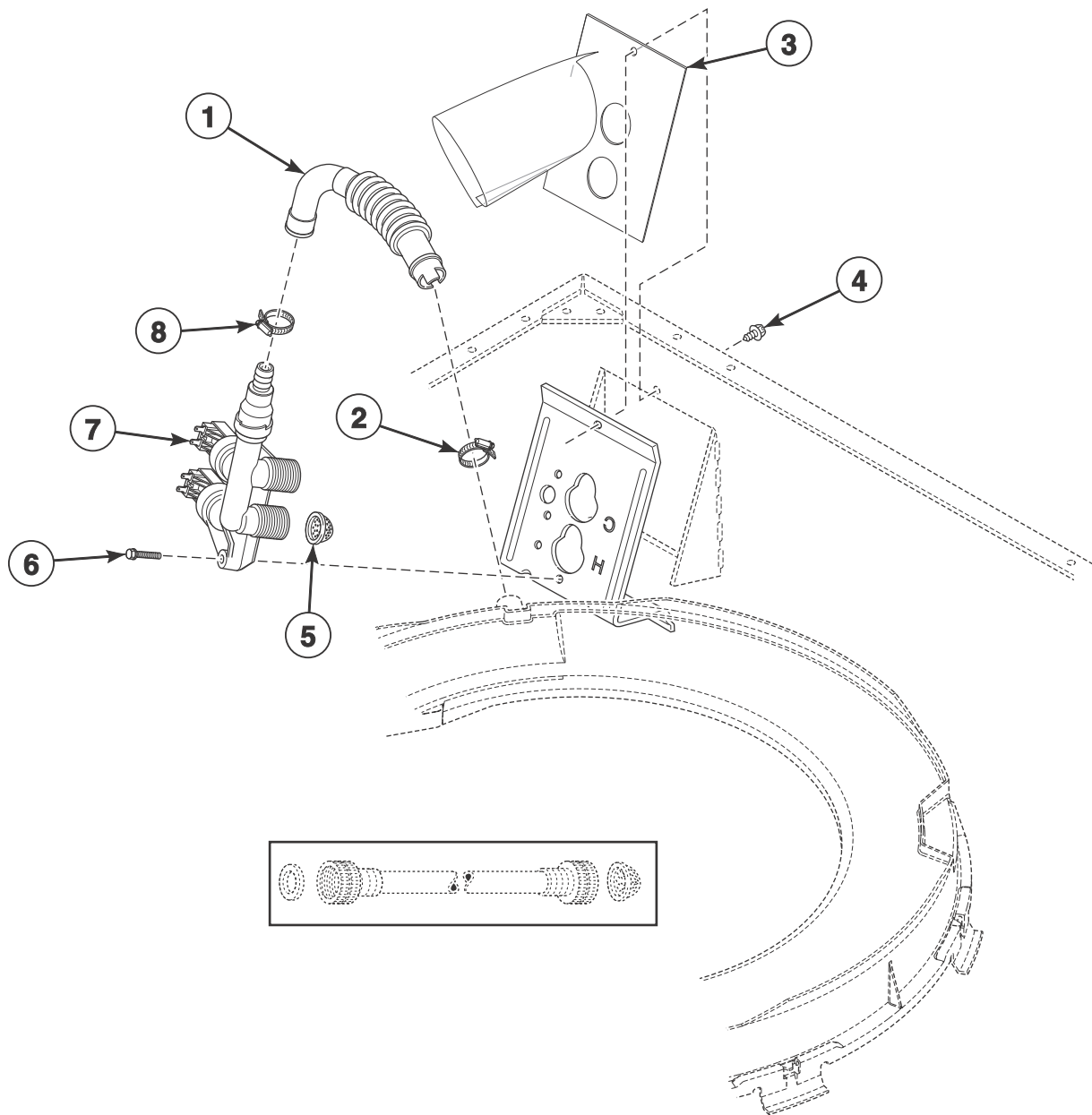


TLW1748P_202731

Lid Switch

| REF | PART NO. | DESCRIPTION | COMMENTS |
|-----|----------|---------------------|--|
| 1 | 39256 | Switch Assembly | Models GWNSX1PP302EW09, HWNSX1SP302UW09, SWNSX1SP302BW01, SWNSX1SP302EW09 and SWNSX1SP302UW01 |
| | 37631 | Lid Switch Assembly | All other models |
| 2 | M402574 | Screw | |
| 3 | M400981 | Nut | |
| 4 | 23962 | Screw | |
| 5 | 202697 | Lid Switch Shield | Models BWNBX2PP302AW01, BWNMN2PP302AW01, HWNBX1SP122DW01, HWNBX1SP542DW01, HWNLX1SP122DW01, HWNLX1SP542DW01, PWNBX2PP302AG02, SWNBX1SP122DW01, SWNBX1SP542DW01, SWNBX2SP302AW01, SWNLX1SP122DW01, SWNLX1SP542DW01, SWNLX2SP302AW01, SWNMN1SP302AW01, SWNSX1PP302AW01 and SWNSX1SP302AW01 |
| 6 | 37830 | Switch | Models GWNSX1PP302EW09, HWNSX1SP302UW09, SWNSX1SP302BW01, SWNSX1SP302EW09 and SWNSX1SP302UW01 |
| | 33445 | Switch | All other models |

Mixing Valve-to-Tub Cover Hose and Mixing Valve

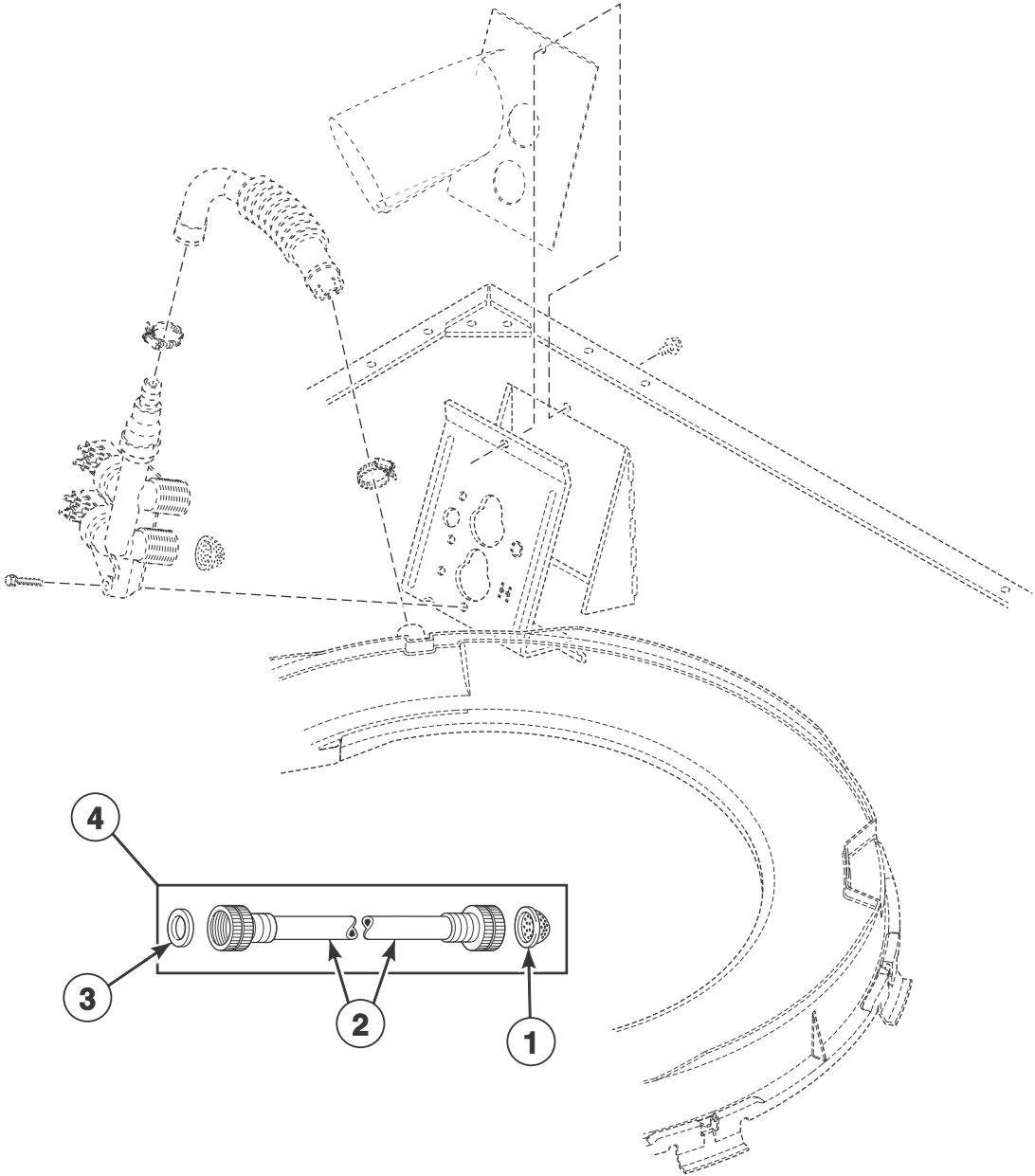


TLW1755P_202731

Mixing Valve-to-Tub Cover Hose and Mixing Valve

| REF | PART NO. | DESCRIPTION | COMMENTS |
|-----|----------|--------------------------------|--|
| 1 | 202472 | Mixing Valve-to-Tub Cover Hose | |
| 2 | 800803 | Hose Clamp | |
| 3 | 202899 | Mixing Valve Shield | Models BWNBX2PP302AW01, BWNMN2PP302AW01, SWNBX2SP302AW01, SWNLX2SP302AW01, SWNMN1SP302AW01, SWNSX1PP302AW01 and SWNSX1SP302AW01 starting Serial No. 1404009801 |
| 4 | 33562 | Screw | |
| 5 | 24122 | Mixing Valve Screen | |
| 6 | 39397 | Screw | |
| 7 | 202396P | Mixing Valve | Models BWNBX2PP302AW01, BWNMN2PP302AW01, SWNBX2SP302AW01, SWNLX2SP302AW01, SWNMN1SP302AW01, SWNSX1PP302AW01 and SWNSX1SP302AW01 Through Serial Nos. beginning 1412; Models GWNMN1PP302AW01, GWNMN2PP302AW01, GWNMN2PP302NW01, GWNSX1PP302AW01, GWNSX1PP302EW09, GWNSX2PP302AW01, GWNSX2PP302NW01, HWNBX1SP542DW01, HWNLX1SP542DW01, HWNSX1SP302UW09, NWNBX2SP302NW22, NWNMN1SP542NW22, NWNMN2SP302NW22, NWNSX2SP302NW22, SWNBX1SP542DW01, SWNBX2SP302NQ22, SWNBX2SP302NW22, SWNLX1SP542DW01, SWNLX1SP542NW23, SWNMN1SP302NW22, SWNMN1SP302SW01, SWNSX1SP302BW01, SWNSX1SP302EW09, SWNSX1SP302SQ01, SWNSX1SP302SW01 and TWNBX2SP302NW22 |
| | 203145P | Mixing Valve | Models BWNBX2PP302AW01, BWNMN2PP302AW01, PWNBX2PP302AG02, SWNBX2SP302AW01, SWNLX2SP302AW01, SWNMN1SP302AW01, SWNSX1PP302AW01 and SWNSX1SP302AW01 Starting Serial Nos. beginning 1412 |
| | 202395P | Mixing Valve | All other models |
| 8 | 36801 | Hose Clamp | |

Fill Hose



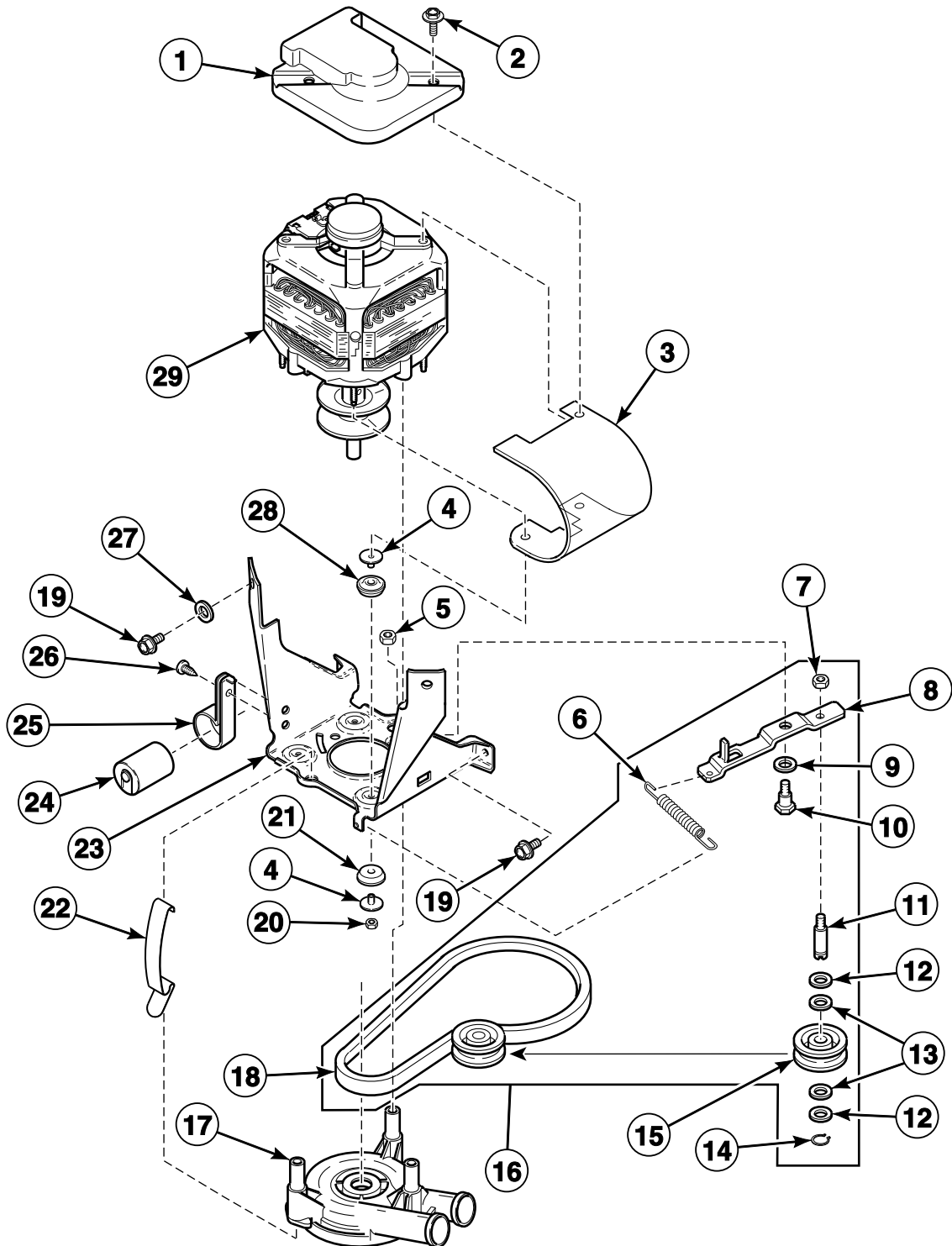
TLW1755PA_202731

Fill Hose

| REF | PART NO. | DESCRIPTION | COMMENTS |
|-----|----------|----------------------|---|
| 1 | 803615 | Washer | Filter screen |
| | 802254 | Washer | Flow restrictor; Water pressure reducer; Available for water pressure up to but not exceeding 120 psi |
| 2 | 202799 | Fill Hose | Models HWNBX1SP122DW01, HWNBX1SP542DW01, HWNLX1SP122DW01, HWNLX1SP542DW01, SWNBX1SP122DW01, SWNBX1SP542DW01, SWNLX1SP122DW01 and SWNLX1SP542DW01 |
| | 202800 | Fill Hose | Models BWNBX2PP302AW01, BWNMN2PP302AW01, PWNBX2PP302AG02, SWNBX2SP302AW01, SWNLX2SP302AW01, SWNMN1SP302AW01, SWNSX1PP302AW01 and SWNSX1SP302AW01 |
| | 20617 | Fill Hose | 8 feet; 2 U.S. standard thread hose couplings; All other models |
| | 20618 | Fill Hose | 10 feet; 2 U.S. standard thread hose couplings; All other models |
| | 37380 | Fill Hose | 8 feet; 1 U.S. standard thread and 1 metric thread hose coupling; All other models |
| | 37381 | Fill Hose | 10 feet; 1 U.S. standard thread and 1 metric thread hose coupling; All other models |
| 3 | 20290 | Washer | |
| 4 | F200116 | Water Hose | 5 feet; Includes items 1-3; 2 U.S. standard thread hose couplings; All models except BWNBX2PP302AW01, BWNMN2PP302AW01, GWNMN2PP302NW01, GWNSX2PP302NW01, HWNBX1SP122DW01, HWNBX1SP542DW01, HWNLX1SP122DW01, HWNLX1SP542DW01, PWNBX2PP302AG02, SWNBX1SP122DW01, SWNBX1SP542DW01, SWNBX2SP302AW01, SWNLX1SP122DW01, SWNLX1SP542DW01, SWNLX2SP302AW01, SWNMN1SP302AW01, SWNSX1PP302AW01 and SWNSX1SP302AW01 |
| | 38349P | Fill Hose Kit | 5 feet; Includes 2 of item 3; 1 U.S. standard thread and 1 metric thread hose coupling; All models except BWNBX2PP302AW01, BWNMN2PP302AW01, GWNMN2PP302NW01, GWNSX2PP302NW01, HWNBX1SP122DW01, HWNBX1SP542DW01, HWNLX1SP122DW01, HWNLX1SP542DW01, PWNBX2PP302AG02, SWNBX1SP122DW01, SWNBX1SP542DW01, SWNBX2SP302AW01, SWNLX1SP122DW01, SWNLX1SP542DW01, SWNLX2SP302AW01, SWNMN1SP302AW01, SWNSX1PP302AW01 and SWNSX1SP302AW01 |
| | 203676 | Hose and Washers Kit | Includes 2 of item 3; Models HWNBX1SP122DW01, HWNBX1SP542DW01, HWNLX1SP122DW01, HWNLX1SP542DW01, SWNBX1SP122DW01, SWNBX1SP542DW01, SWNLX1SP122DW01 and SWNLX1SP542DW01 |
| | 203675 | Hose and Washers Kit | Includes 2 of item 3; Models BWNBX2PP302AW01, BWNMN2PP302AW01, PWNBX2PP302AG02, SWNBX2SP302AW01, SWNLX2SP302AW01, SWNMN1SP302AW01, SWNSX1PP302AW01 and SWNSX1SP302AW01 |

Motor, Belt, Pump and Idler Assembly (Drawing 1 of 3)

Models GWNSX1PP302EW09, HWNSX1SP302UW09, SWNSX1SP302EW09 and SWNSX1SP302UW01



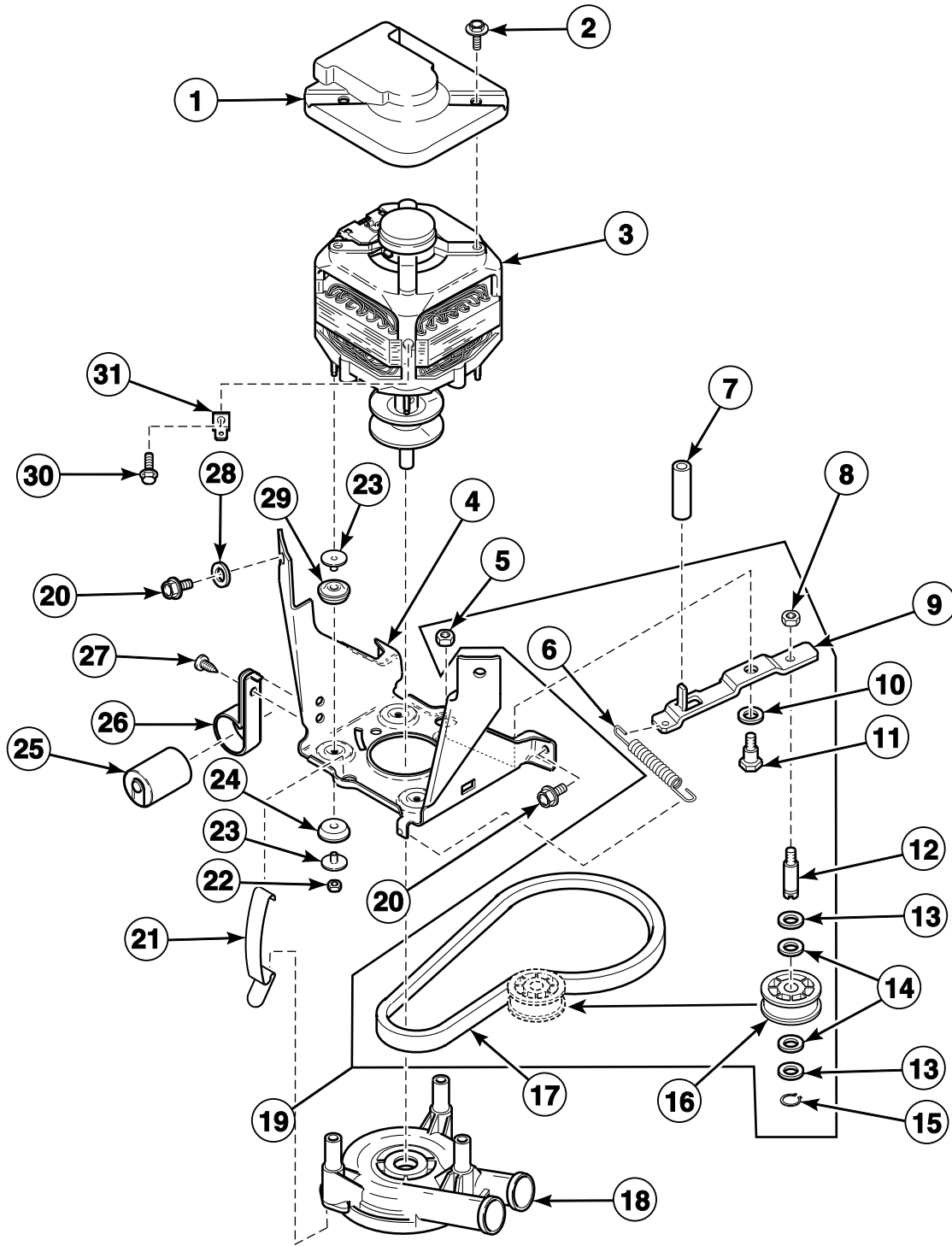
TLW1730P_202731

Motor, Belt, Pump and Idler Assembly (Drawing 1 of 3)

| REF | PART NO. | DESCRIPTION | COMMENTS |
|-----|----------|--------------------------|-----------------------------------|
| 1 | 34754 | Motor Shield | |
| 2 | 36639 | Screw | |
| 3 | 36965 | Motor Side Shield | |
| 4 | 38325 | Isolator Post | |
| 5 | 52566 | Nut | |
| 6 | 201189 | Idler Lever Spring | |
| | 202032 | Idler Lever Spring | Use on units experiencing low RPM |
| 7 | 28803 | Nut | |
| 8 | 38011 | Idler Lever | |
| 9 | 81392 | Washer | |
| 10 | 27229 | Screw | |
| 11 | 210186 | Idler Shaft | |
| 12 | D504082 | Washer | |
| 13 | 52549 | Washer | Nylatron |
| 14 | 23748 | Retaining Ring | |
| 15 | 38225P | Idler Pulley | |
| 16 | 202972 | Idler Lever and Belt Kit | |
| 17 | 201566P | Pump | |
| | 201442P | Pump Assembly | Heavy duty |
| 18 | 200923 | Agitate and Spin Belt | |
| 19 | 35369 | Screw | |
| 20 | 685846 | Nut | |
| 21 | 204062 | Isolator Assembly | |
| 22 | 210202 | Spring Clip | |
| 23 | 200941 | Motor Mount Bracket | |
| 24 | 39259P | Capacitor and Clamp Kit | |
| 25 | 37535 | Capacitor Clamp | |
| 26 | 52909 | Screw | |
| 27 | 37772 | Washer | |
| 28 | 38395 | Motor Mount | |
| 29 | 835P3 | Motor Kit | 1 speed; 240 Volt/50 Hertz |

Motor, Belt, Pump and Idler Assembly (Drawing 2 of 3)

Models BWNBX2PP302AW01, BWNMN2PP302AW01, GWNMN1PP302AW01, GWNMN2PP302AW01, GWNSX1PP302AW01, GWNSX2PP302AW01, PWNBX2PP302AG02, SWNBX2SP302AW01, SWNLX2SP302AW01, SWNLY2SP302NW22, SWNMN1SP302AW01, SWNMN1SP302SW01, SWNSX1PP302AW01, SWNSX1SP302AW01, SWNSX1SP302BW01, SWNSX1SP302SQ01 and SWNSX1SP302SW01



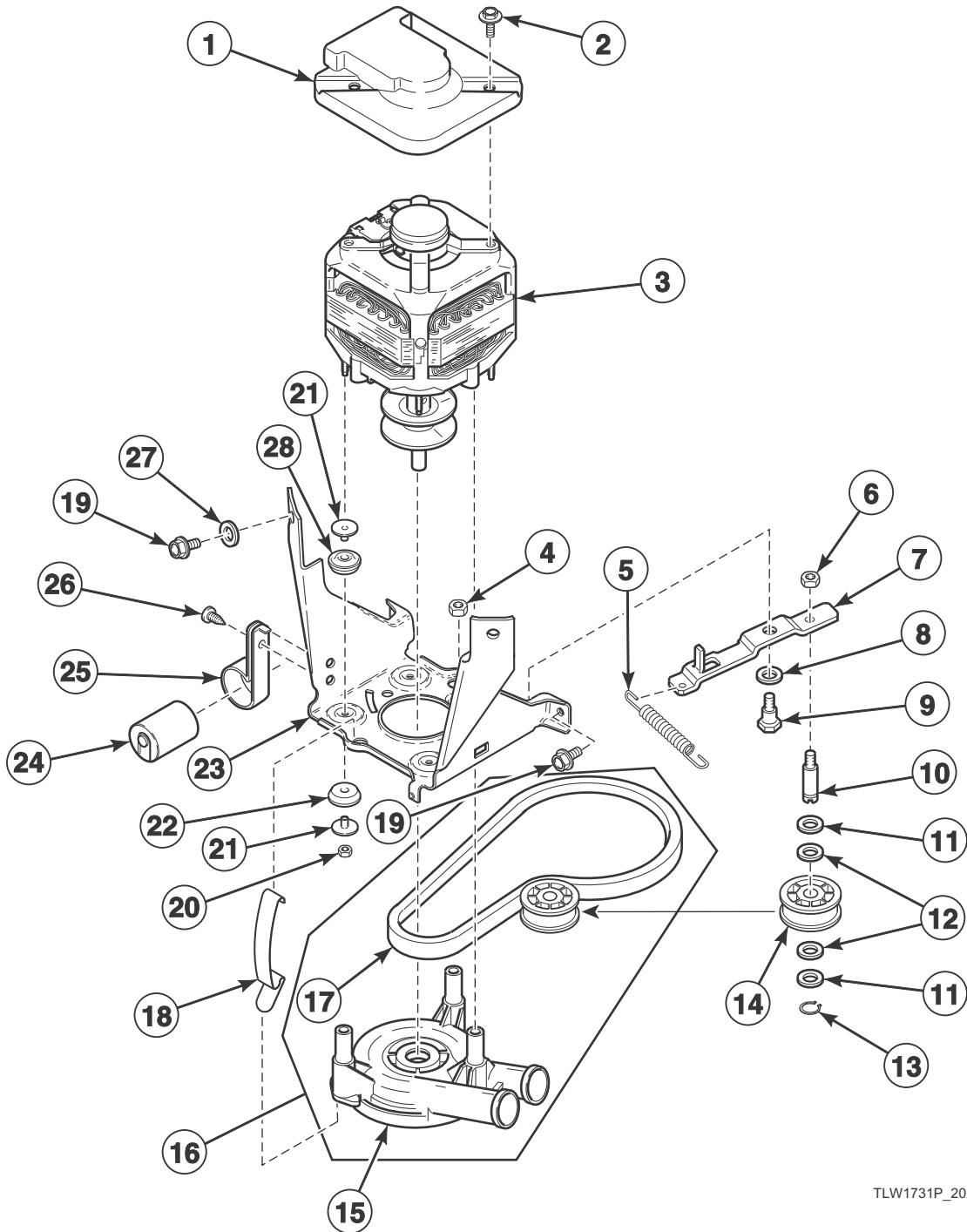
TLW1754P_202731

Motor, Belt, Pump and Idler Assembly (Drawing 2 of 3)

| REF | PART NO. | DESCRIPTION | COMMENTS |
|-----|----------|--------------------------|--|
| 1 | 34754 | Motor Shield | Through Serial No. 1404009800 |
| | 35886 | Motor Shield | Starting Serial No. 1404009801 |
| 2 | 36639 | Screw | |
| 3 | 201433P | Motor Kit | 240 Volt/50 Hertz; 2 speed; Models BWNBX2PP302AW01, BWNMN2PP302AW01, GWNMN2PP302AW01, GWNSX2PP302AW01, PWNBX2PP302AG02, SWNBX2SP302AW01, SWNLX2SP302AW01 and SWNLY2SP302NW22 |
| | 835P3 | Motor Kit | 240 Volt/50 Hertz; 1 speed; All other models |
| 4 | 200941 | Motor Mount Bracket | |
| 5 | 52566 | Nut | |
| 6 | 201189 | Idler Lever Spring | |
| | 202032 | Idler Lever Spring | Use on units experiencing low RPM |
| 7 | 202333 | Tube | Models BWNBX2PP302AW01, BWNMN2PP302AW01, PWNBX2PP302AG02, SWNBX2SP302AW01, SWNLX2SP302AW01, SWNMN1SP302AW01, SWNMN1SP302SW01, SWNSX1PP302AW01, SWNSX1SP302AW01, SWNSX1SP302SQ01 and SWNSX1SP302SW01 |
| | 28803 | Nut | |
| 9 | 38011 | Idler Lever | |
| 10 | 81392 | Washer | |
| 11 | 27229 | Screw | |
| 12 | 210186 | Idler Shaft | |
| 13 | D504082 | Washer | |
| 14 | 52549 | Washer | Nylatron |
| 15 | 23748 | Retaining Ring | |
| 16 | 38225P | Idler Pulley | |
| 17 | 200923 | Agitate and Spin Belt | |
| 18 | 201566P | Pump | |
| | 201442P | Pump Assembly | Heavy duty |
| 19 | 202972 | Idler Lever and Belt Kit | |
| 20 | 35369 | Screw | |
| 21 | 210202 | Spring Clip | |
| 22 | 685846 | Nut | |
| 23 | 38325 | Isolator Post | |
| 24 | 204062 | Isolator Assembly | |
| 25 | 39259P | Capacitor and Clamp Kit | Through Serial No. 1404009800; All models except BWNMN2PP302AW01, SWNLX2SP302AW01 and SWNLY2SP302NW22 |
| | 203140 | Capacitor | Starting Serial No. 1404009801 |
| 26 | 37535 | Capacitor Clamp | |
| 27 | 52909 | Screw | |
| 28 | 37772 | Washer | |
| 29 | 38395 | Motor Mount | |
| 30 | 20530 | Screw | |
| 31 | 00177 | Male Tab Terminal | |

Motor, Belt, Pump and Idler Assembly (Drawing 3 of 3)

All Models Except GWNMN1PP302AW01, GWNMN2PP302AW01, GWNSX1PP302AW01, GWNSX1PP302EW09, GWNSX2PP302AW01, HWNSX1SP302UW09, PWNBX2PP302AG02, SWNBX2SP302AW01, SWNLX2SP302AW01, SWNLY2SP302NW22, SWNMN1SP302AW01, SWNMN1SP302SW01, SWNSX1PP302AW01, SWNSX1SP302AW01, SWNSX1SP302BW01, SWNSX1SP302EW09, SWNSX1SP302SQ01, SWNSX1SP302SW01 and SWNSX1SP302UW01



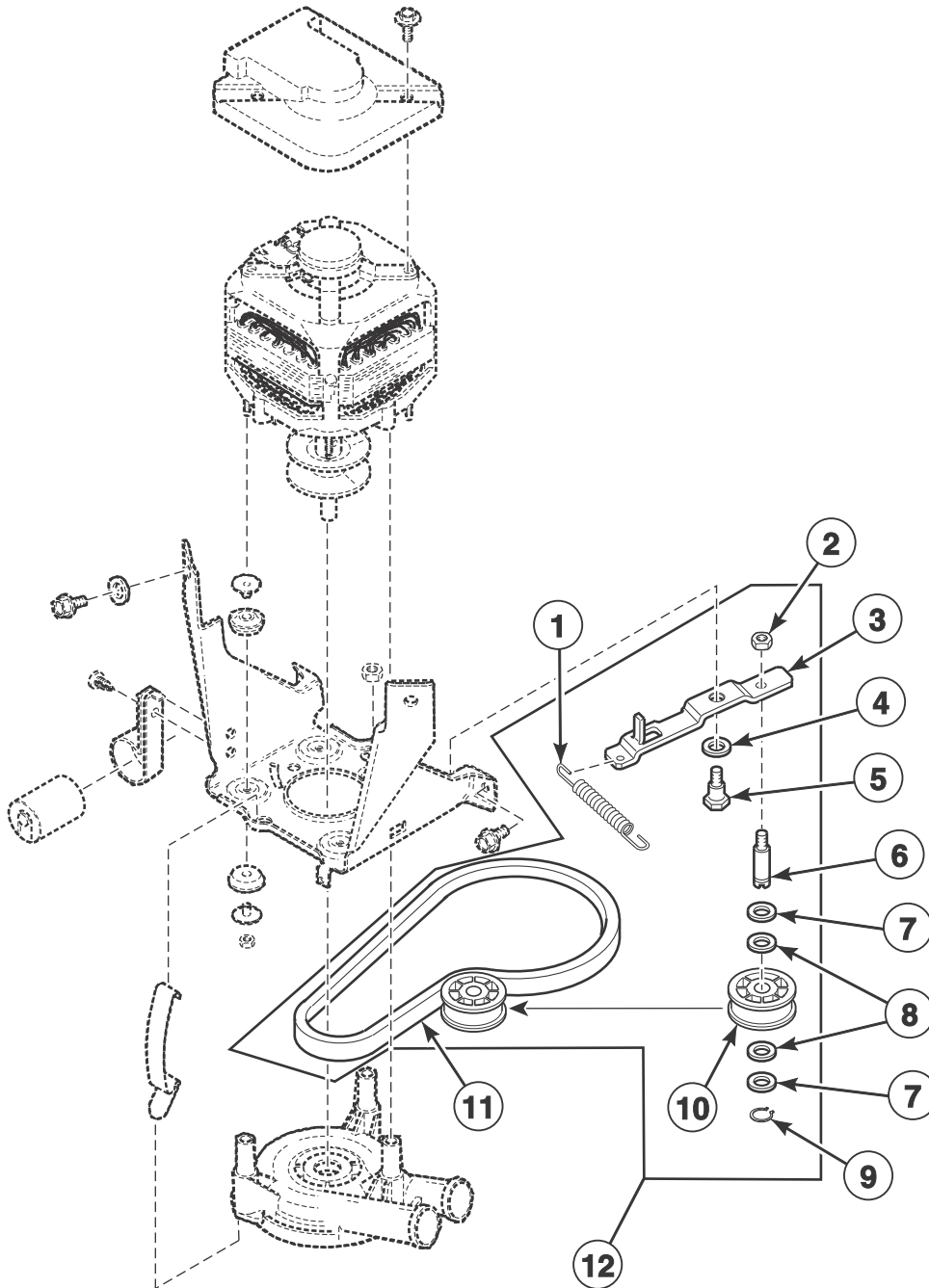
TLW1731P_202731

Motor, Belt, Pump and Idler Assembly (Drawing 3 of 3)

| REF | PART NO. | DESCRIPTION | COMMENTS |
|-----|----------|-------------------------|---|
| 1 | 34754 | Motor Shield | |
| 2 | 36639 | Screw | |
| 3 | 38035P | Motor Kit | 115 Volt/60 Hertz; 1 speed; Models HWNSX1PP112TQ01, HWNSX1PP112TW01, HWNSX1SP112CW01, SWNSX1PP112TQ01, SWNSX1PP112TW01, SWNSX1SP112TQ01 and SWNSX1SP112TW01 |
| | 35030P | Motor Assembly | 240 Volt/60 Hertz; 1 speed; Models HWNBX1SP542DW01, HWNLX1SP542DW01, NWNMN1SP542NW22, SWNBX1SP542DW01, SWNLX1SP542DW01, SWNLX1SP542NW23 and SWNSX1SP542NW22 |
| | 202457 | Motor Assembly | Models HWNBX1SP122DW01, HWNLX1SP122DW01, SWNBX1SP122DW01 and SWNLX1SP122DW01 |
| | 835P3 | Motor Kit | 240 Volt/50 Hertz; 1 speed; Models SWNMN1SP302NW22 and SWNSX1SP302NW22 |
| | 201433P | Motor Kit | 240 Volt/50 Hertz; 2 speed; Models GWNMN2PP302NW01, GWNSX2PP302NW01, NWNBX2SP302NW22, NWNMN2SP302NW22, NWNSX2SP302NW22, SWNBX2SP302NQ22, SWNBX2SP302NW22 and TWNBX2SP302NW22 |
| | 38034P | Motor Kit | 2 speed; All other models |
| 4 | 52566 | Nut | |
| 5 | 201189 | Idler Lever Spring | |
| | 202032 | Idler Lever Spring | Use on units experiencing low RPM |
| 6 | 28803 | Nut | |
| 7 | 38011 | Idler Lever | |
| 8 | 81392 | Washer | |
| 9 | 27229 | Screw | |
| 10 | 210186 | Idler Shaft | |
| 11 | D504082 | Washer | |
| 12 | 52549 | Washer | Nylatron |
| 13 | 23748 | Retaining Ring | |
| 14 | 38225P | Idler Pulley | |
| 15 | 201566P | Pump | |
| | 201442P | Pump Assembly | Heavy duty |
| 16 | RB150003 | Belt and Pump Kit | Includes items 15 and 17 (38174 Belt) |
| 17 | 200923 | Agitate and Spin Belt | Models GWNMN2PP302NW01, GWNSX2PP302NW01, NWNBX2SP302NW22, NWNMN2SP302NW22, NWNSX2SP302NW22, SWNBX2SP302NQ22, SWNBX2SP302NW22, SWNMN1SP302NW22, SWNSX1SP302NW22 and TWNBX2SP302NW22 |
| | 38174 | Agitate and Spin Belt | All other models |
| 18 | 210202 | Spring Clip | |
| 19 | 35369 | Screw | |
| 20 | 35423 | Nut | |
| 21 | 38325 | Isolator Post | |
| 22 | 204062 | Isolator Assembly | |
| 23 | 200941 | Motor Mount Bracket | |
| 24 | 39259P | Capacitor and Clamp Kit | Models SWNMN1SP302NW22 and SWNSX1SP302NW22 |
| | 37377 | Capacitor | All models except GWNMN2PP302NW01, GWNSX2PP302NW01, HWNBX1SP542DW01, HWNLX1SP542DW01, NWNBX2SP302NW22, NWNMN1SP542NW22, NWNMN2SP302NW22, NWNSX2SP302NW22, SWNBX1SP542DW01, SWNBX2SP302NQ22, SWNBX2SP302NW22, SWNLX1SP542DW01, SWNMN1SP302NW22, SWNSX1SP302NW22, SWNSX1SP542NW22 and TWNBX2SP302NW22 |
| 25 | 37535 | Capacitor Clamp | All models except HWNBX1SP542DW01, HWNLX1SP542DW01, SWNBX1SP542DW01, SWNLX1SP542DW01 and TWNBX2SP302NW22 |
| 26 | 52909 | Screw | |
| 27 | 37772 | Washer | |
| 28 | 38395 | Motor Mount | |

Idler Lever Kits

All Models Except GWNMN1PP302AW01, GWNMN2PP302AW01, GWNSX1PP302AW01, GWNSX1PP302EW09, GWNSX2PP302AW01, HWNSX1SP302UW09, PWNBX2PP302AG02, SWNBX2SP302AW01, SWNLX2SP302AW01, SWNLY2SP302NW22, SWNMN1SP302AW01, SWNMN1SP302SW01, SWNSX1PP302AW01, SWNSX1SP302AW01, SWNSX1SP302BW01, SWNSX1SP302EW09, SWNSX1SP302SQ01, SWNSX1SP302SW01 and SWNSX1SP302UW01

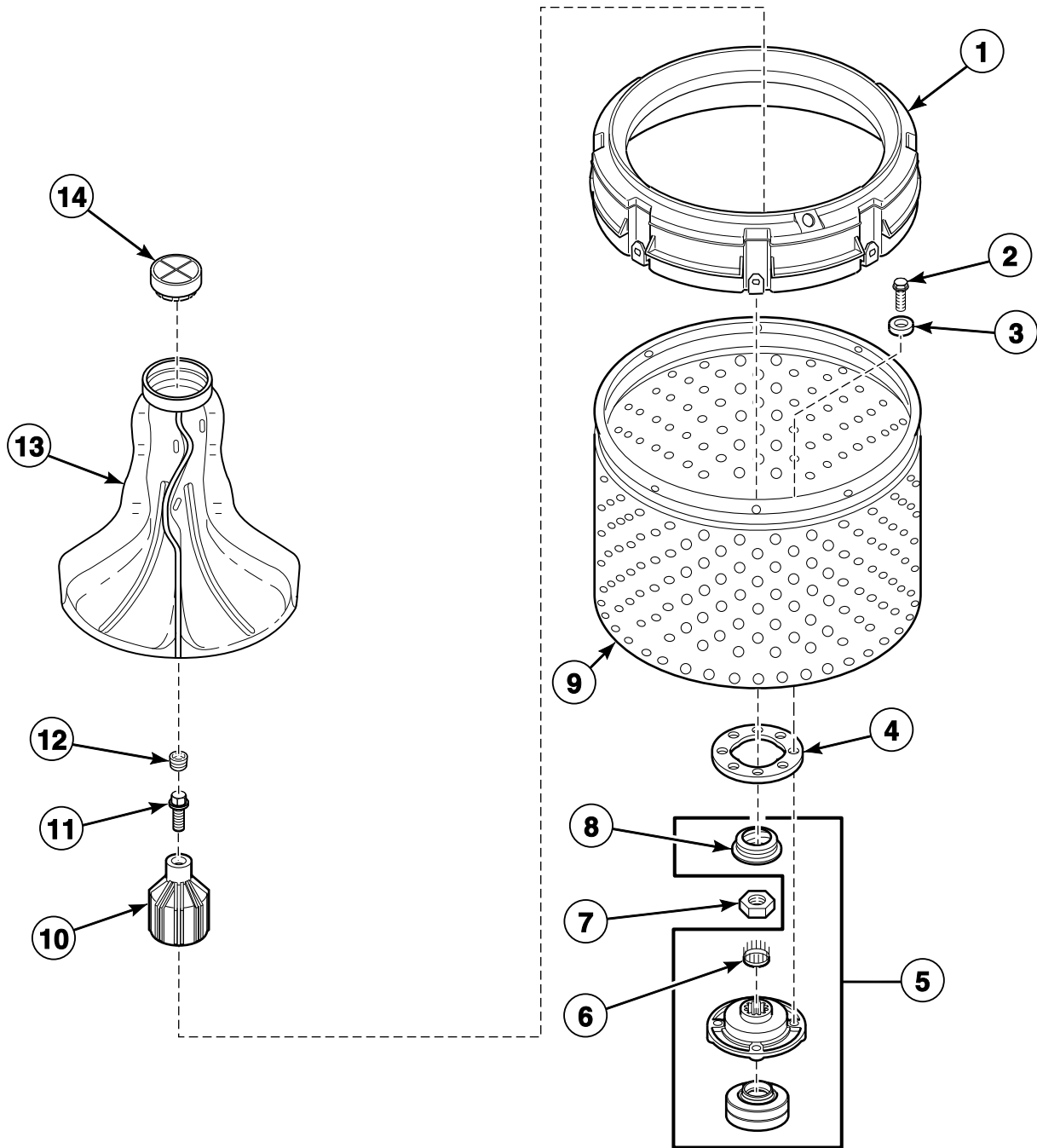


TLW1731PA_202731

Idler Lever Kits

| REF | PART NO. | DESCRIPTION | COMMENTS |
|-----|----------|--------------------------|---|
| 1 | 202032 | Idler Lever Spring | |
| 2 | 28803 | Nut | |
| 3 | 38011 | Idler Lever | |
| 4 | 81392 | Washer | |
| 5 | 27229 | Screw | |
| 6 | 210186 | Idler Shaft | |
| 7 | D504082 | Washer | |
| 8 | 52549 | Washer | Nylatron |
| 9 | 23748 | Retaining Ring | |
| 10 | 38225P | Idler Pulley | |
| 11 | 200923 | Agitate and Spin Belt | Models GWNMN2PP302NW01, GWNSX2PP302NW01, NWNBX2SP302NW22, NWNMN2SP302NW22, NWNSX2SP302NW22, SWNBX2SP302NQ22, SWNBX2SP302NW22, SWNMN1SP302NW22, SWNSX1SP302NW22 and TWNBX2SP302NW22 |
| | 38174 | Agitate and Spin Belt | All other models |
| 12 | 202972 | Idler Lever and Belt Kit | Models GWNMN2PP302NW01, GWNSX2PP302NW01, NWNBX2SP302NW22, NWNMN2SP302NW22, NWNSX2SP302NW22, SWNBX2SP302NQ22, SWNBX2SP302NW22, SWNMN1SP302NW22, SWNSX1SP302NW22 and TWNBX2SP302NW22; Includes items 1-11 |
| | 959P3 | Idler Lever Kit | All other models; Includes items 1-11 |

Agitator, Drive Bell, Hub and Lip Seal Kit and Washtub

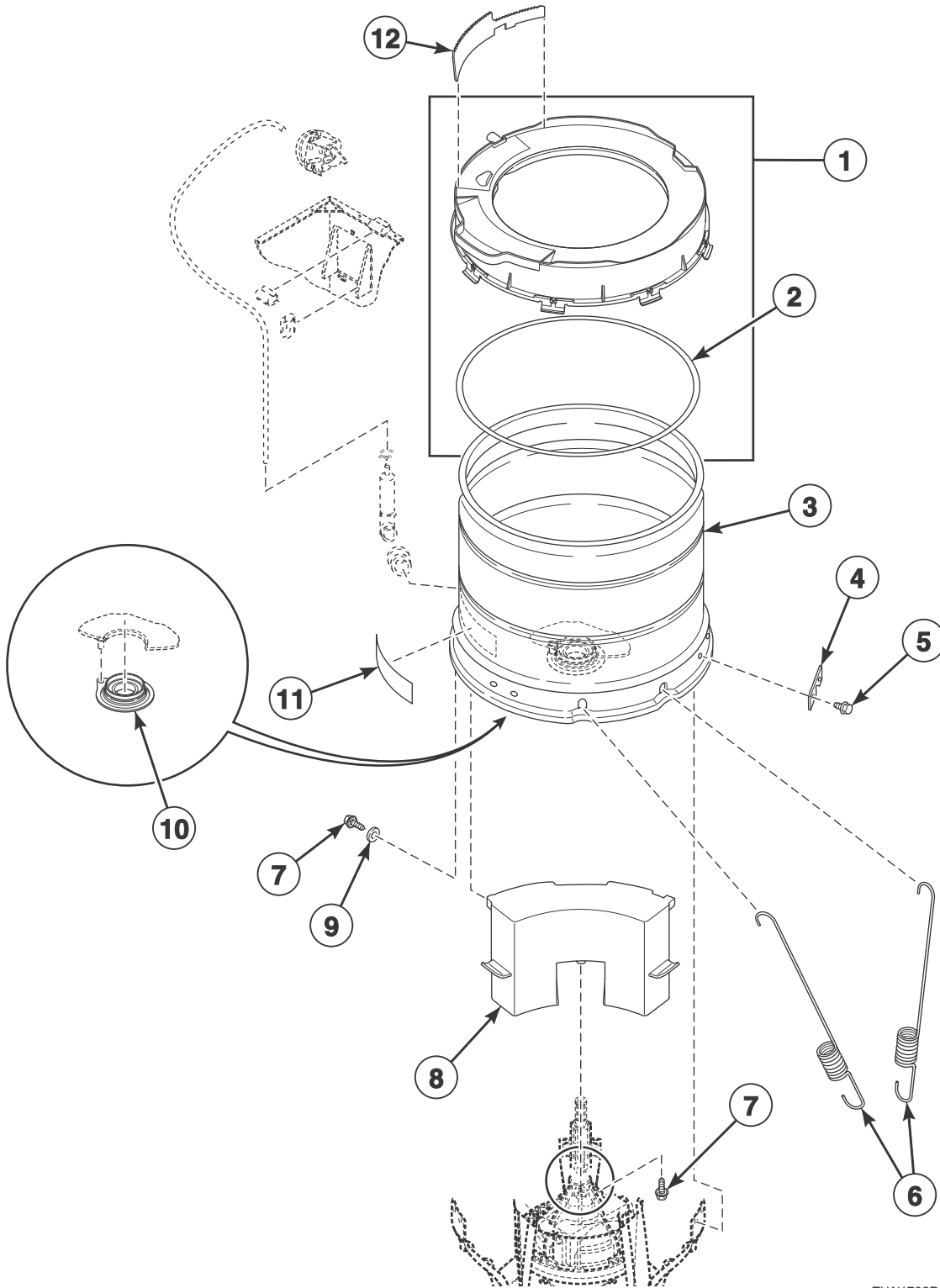


TLW1483P_202731

Agitator, Drive Bell, Hub and Lip Seal Kit and Washtub

| REF | PART NO. | DESCRIPTION | COMMENTS |
|-----|----------|---------------------------------|--|
| 1 | 39837 | Balance Ring Assembly | |
| 2 | 27202 | Screw | |
| 3 | 28094 | Washer | Rubber; Use with porcelain washtub |
| 4 | 39122 | Washtub Gasket | |
| 5 | 766P3A | Hub and Lip Seal Kit | DO NOT use any sealant other than 200996P Sealant; Includes item 10 and installation tool |
| | 200996P | Sealant | Use with hub and lip seal kit |
| 6 | 29728 | Spline Insert | |
| 7 | 29220 | Nut | |
| 8 | 36425 | Bell and Transmission Tube Seal | |
| | 36765P | Grease | Use with bell and transmission tube seal |
| 9 | 39250P | Tub Kit | Blue porcelain; Models BWNBC2PP112TW01, BWNBX2PP112TW01, BWNBX2PP302AW01, BWNBY2PP112TW01, BWNMN2PP112CW01, BWNMN2PP302AW01, BWNSX2PP112CW01, GWNMN1PP302AW01, GWNMN2PP302AW01, GWNMN2PP302NW01, GWNMN2PP112TW01, GWNSX1PP302AW01, GWNSX1PP302EW09, GWNSX2PP112TW01, GWNSX2PP302AW01, GWNSX2PP302NW01, HWNBC2PP112TQ01, HWNBC2PP112TW01, HWNBY2PP112TW01, HWNMN2PP112TW01, HWNSX1PP112TQ01, HWNSX1PP112TW01, HWNSX2PP112TQ01, HWNSX2PP112TW01, PWNBC2PP112TG02, PWNBX2PP112TG02, PWNBX2PP302AG02, PWNSX2PP112TG02, SWNBC2PP112TQ01, SWNBC2PP112TW01, SWNBC2PP112TW02, SWNBX2PP112TW02, SWNBY2PP112TW01, SWNLC2PP112TW01, SWNLC2PP112TW02, SWNLX2PP112TW02, SWNLY2PP112TW01, SWNMN2PP112TW01, SWNSX1PP112TQ01, SWNSX1PP112TW01, SWNSX1PP302AW01, SWNSX2PP112TQ01, SWNSX2PP112TW01 and SWNSX2PP112TW02 |
| | 39252P | Tub Assembly | Models HWNLE2AP112CW01, SWNLC2AP112TW01, SWNLC2AP112TW02, SWNLX2AP112TW02, SWNLY2AP112TW01 and SWNWX2AP112TW11 |
| | 39387P | Tub Assembly | Models HWNLE2HP112CW01, HWNLX2HP112CW01, HWNLY2HP112CW01, SWNLC2HP112TQ01, SWNLC2HP112TW01, SWNLC2HP112TW02, SWNLX2HP112TW01, SWNLX2HP112TW02, SWNLY2HP112TW01 and SWNWX2HP112TW11 |
| | 719P3 | Washtub Kit | Stainless steel; All other models |
| 10 | 39508P | Drive Bell and Seal Kit | Includes items 8, 11 and 12 |
| 11 | 39432 | Screw | |
| 12 | 36511 | Bell Plug | |
| 13 | 36507 | Flex Vane Agitator | Models SWNMN1SP302SW01, SWNSX1SP302SQ01 and SWNSX1SP302SW01 |
| | 33174 | Agitator | All other models |
| 14 | 36515 | Agitator Cap | |

Outer Tub, Cover, Bearing and Seal Housing and Counterweight

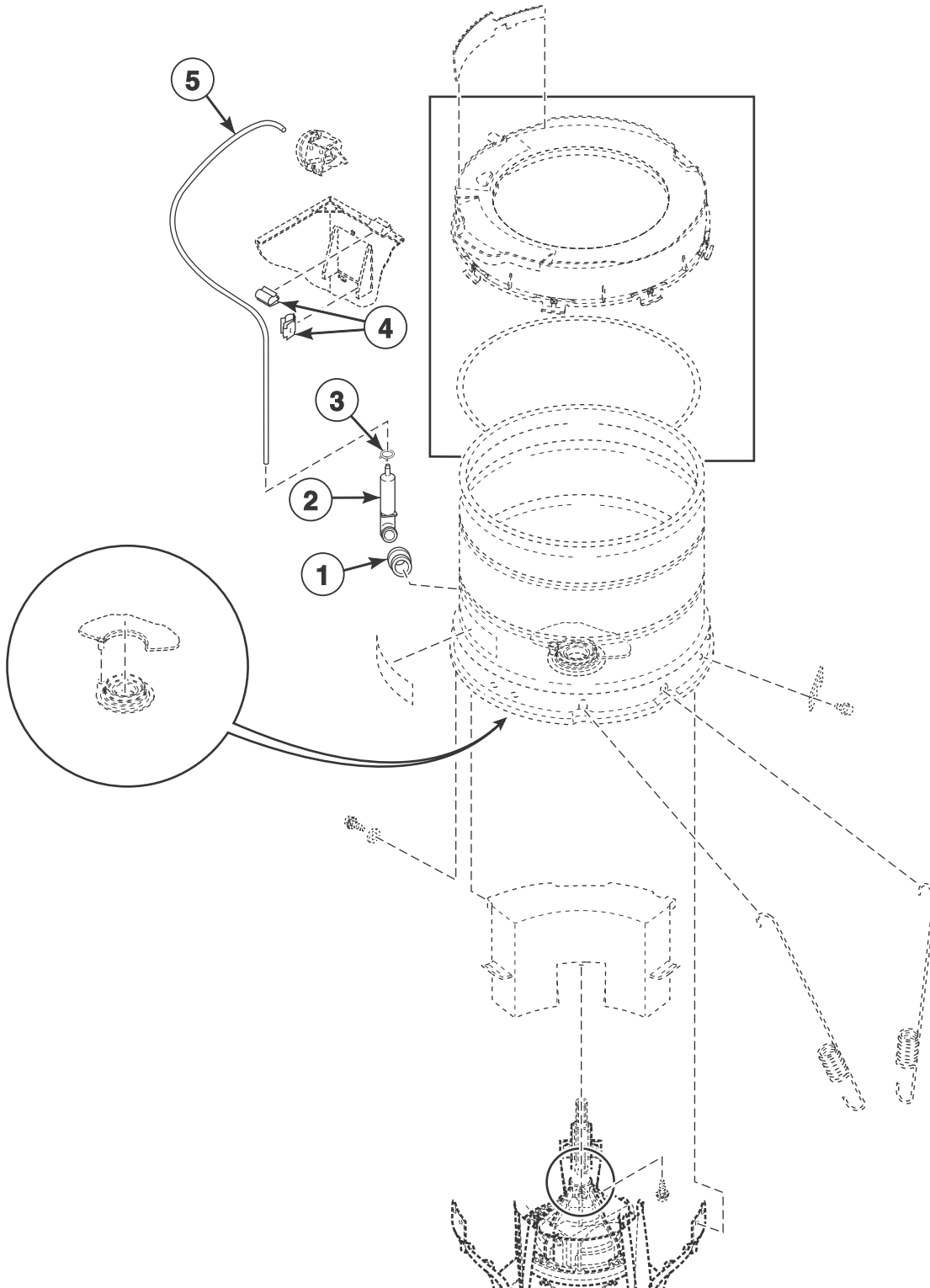


TLW1732P_202731

Outer Tub, Cover, Bearing and Seal Housing and Counterweight

| REF | PART NO. | DESCRIPTION | COMMENTS |
|-----|----------|------------------------|--|
| 1 | 203154 | Tub Cover Assembly | Includes check valve; Models BWNBX2PP302AW01, BWNMN2PP302AW01, SWNBX2SP302AW01, SWNLX2SP302AW01, SWNMN1SP302AW01, SWNSX1PP302AW01 and SWNSX1SP302AW01; Through Serial Nos. beginning 1412 |
| | 202461 | Tub Cover Assembly | Models BWNBX2PP302AW01, BWNMN2PP302AW01, SWNBX2SP302AW01, SWNLX2SP302AW01, SWNMN1SP302AW01, SWNSX1PP302AW01 and SWNSX1SP302AW01 starting Serial Nos. beginning 1412; All other models |
| 2 | 38359 | Tub Cover Gasket | |
| 3 | 203604P | Outer Tub Assembly | Models HWNLE2HP112CW01, HWNLX2HP112CW01, HWNLY2HP112CW01, SWNLC2AP112TW01, SWNLC2AP112TW02, SWNLC2HP112TQ01, SWNLC2HP112TW01, SWNLC2HP112TW02, SWNLX2AP112TW02, SWNLX2HP112TW01, SWNLX2HP112TW02, SWNLY2AP112TW01, SWNLY2HP112TW01, SWNLY2HP112TW01, SWNLY2AP112TW11 and SWNLY2HP112TW11 |
| | 203603P | Outer Tub Assembly | All other models |
| 4 | 27926 | Leg Plate | |
| 5 | 35369 | Screw | |
| 6 | 201521 | Leg Spring | Marked with green paint. Use to replace the two rear springs closest to counterweight; Models BWNBX2PP302AW01, BWNMN2PP302AW01, GWNMN2PP302AW01, GWNMN2PP302NW01, GWNSX2PP302AW01, GWNSX2PP302NW01, NWNBX2SP302NW22, NWNMN2SP302NW22, NWNSX2SP302NW22, PWNBX2PP302AG02, SWNBX2SP302AW01, SWNBX2SP302NQ22, SWNBX2SP302NW22, SWNLX2SP302AW01, SWNLY2SP302NW22 and TWNBX2SP302NW22 |
| | 37576 | Leg Spring | Models HWNLE2HP112CW01, HWNLX2HP112CW01, HWNLY2HP112CW01, SWNLC2AP112TW01, SWNLC2AP112TW02, SWNLC2HP112TQ01, SWNLC2HP112TW01, SWNLC2HP112TW02, SWNLX2AP112TW02, SWNLX2HP112TW01, SWNLX2HP112TW02, SWNLY2AP112TW01, SWNLY2HP112TW01, SWNLY2HP112TW01, SWNLY2AP112TW11 and SWNLY2HP112TW11 |
| | 37575 | Leg Spring | All other models |
| 7 | 39566 | Screw | |
| 8 | 38769 | Counterweight Assembly | |
| 9 | 39249 | Washer | |
| 10 | 766P3A | Hub and Lip Seal Kit | |
| | 200996P | Sealant | Use with hub and lip seal kit |
| 11 | D500314 | Warning Label | Models BWNMN2PP112CW01, BWNSX2PP112CW01, HWNBD2SP112CQ01, HWNBD2SP112CW01, HWNBE2SP112CW01, HWNBX2SP112CW01, HWNBY2SP112CW01, HWNLE2AP112CW01, HWNLE2HP112CW01, HWNLE2SP112CW01, HWNLX2HP112CW01, HWNLX2SP112CW01, HWNLY2HP112CW01, HWNLY2SP112CW01, HWNMN2SP112CW01, HWNSX1SP112CW01, HWNSX2SP112CW01, SWNLC2AP112TW01, SWNLC2AP112TW02, SWNLC2HP112TW01, SWNLC2HP112TW02, SWNLX2AP112TW02, SWNLX2HP112TW01, SWNLX2HP112TW02, SWNLY2AP112TW01, SWNLY2HP112TW01, SWNLY2HP112TW01, SWNMN2SP112CW01, SWNSX2SP112CW02 and UWNMN2SP112CW01 |
| | F8615701 | Pinch Warning Label | Models GWNSX1PP302EW09, HWNBX1SP122DW01, HWNBX1SP542DW01, HWNLX1SP122DW01, HWNLX1SP542DW01, HWNSX1SP302UW09, SWNBX1SP122DW01, SWNBX1SP542DW01, SWNLX1SP122DW01, SWNLX1SP542DW01, SWNSX1SP302EW09 and SWNSX1SP302UW01 |
| | D500049 | Warning Label | All other models |
| 12 | 202695P | Splash Shield | |

Pressure Hose and Bulb

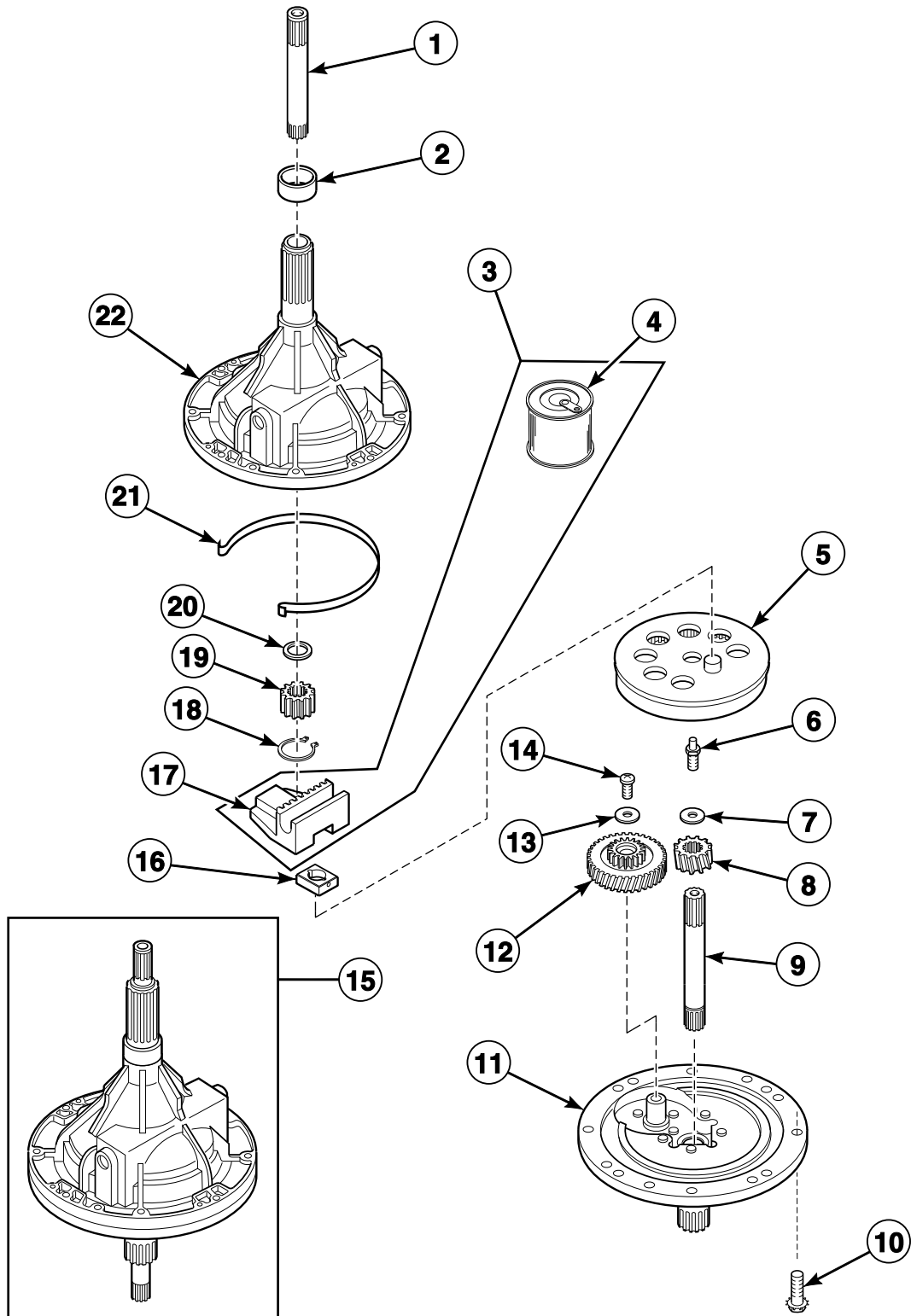


TLW1732PA_202731

Pressure Hose and Bulb

| REF | PART NO. | DESCRIPTION | COMMENTS |
|-----|----------|---------------|--|
| 1 | 29175 | Grommet | |
| 2 | 30907 | Pressure Bulb | |
| 3 | 39282 | Hose Clamp | |
| 4 | 36985 | Hose Clip | |
| 5 | 202699 | Tubing | Models HWNLE2AP112CW01, HWNLE2HP112CW01, HWNLX2HP112CW01, HWNLY2HP112CW01, SWNLC2AP112TW01, SWNLC2AP112TW02, SWNLC2HP112TQ01, SWNLC2HP112TW01, SWNLC2HP112TW02, SWNLX2AP112TW02, SWNLX2HP112TW01, SWNLX2HP112TW02, SWNLY2AP112TW01, SWNLY2HP112TW01, SWNLY2AP112TW11 and SWNLY2HP112TW11 |
| | 203296 | Tubing | Models HWNLE2SP112CW01, HWNLX1SP122DW01, HWNLX1SP542DW01, HWNLX2SP112CW01, HWNLY2SP112CW01, SWNLC2PP112TW01, SWNLC2PP112TW02, SWNLC2SP112TQ01, SWNLC2SP112TW01, SWNLC2SP112TW02, SWNLX1SP122DW01, SWNLX1SP542DW01, SWNLX1SP542NW23, SWNLX2PP112TW02, SWNLX2SP112TW01, SWNLX2SP112TW02, SWNLX2SP302AW01, SWNLY2PP112TW01, SWNLY2SP112TW01 and SWNLY2SP302NW22 |
| | 202700 | Tubing | All other models |

Transmission Assembly

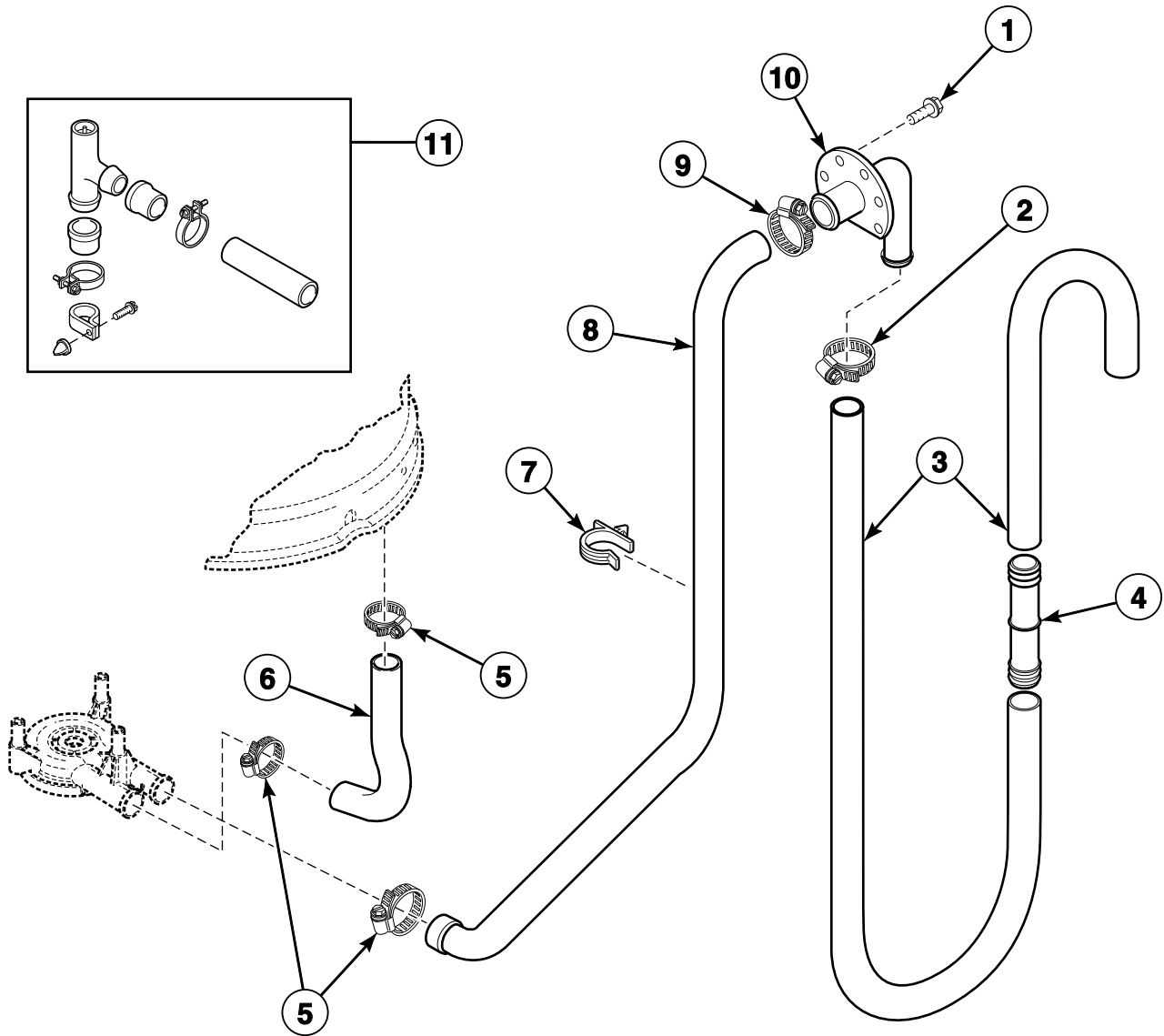


TLW1720P_202731

Transmission Assembly

| REF | PART NO. | DESCRIPTION | COMMENTS |
|-----|----------|-----------------------------|--|
| | 27604P | Anti-Seize Compound | Apply to the smooth area of both the upper and lower transmission shafts |
| | 37577P | Transmission Sealant | Use between transmission case and cover |
| 1 | 36570P | Output Shaft | |
| 2 | 201212 | Hub Spacer | |
| 3 | RB150004 | Transmission Rebuild Kit | Includes 37577P Transmission Sealant |
| 4 | 27243P | Transmission Oil | 1 fill |
| 5 | 26577 | Gear and Stud Assembly | |
| 6 | 201773 | Screw | |
| 7 | 26509 | Washer | |
| 8 | 37405 | Drive Pinion | |
| 9 | 38268P | Input Shaft | |
| 10 | 32814 | Screw | |
| 11 | 37471 | Transmission Cover Assembly | |
| 12 | 37404P | Reduction Gear | |
| 13 | 29260 | Washer | |
| 14 | 29273 | Screw | |
| 15 | 38165P | Transmission Assembly | |
| 16 | 26493 | Slide | |
| 17 | 201664 | Rack | |
| 18 | 27197 | Retaining Ring | |
| 19 | 27003 | Agitator Pinion | |
| 20 | 35092 | Washer | |
| 21 | 38864 | Gear Sleeve | |
| 22 | 33223P | Transmission Case Assembly | |

Drain Hoses and Siphon Break Kit

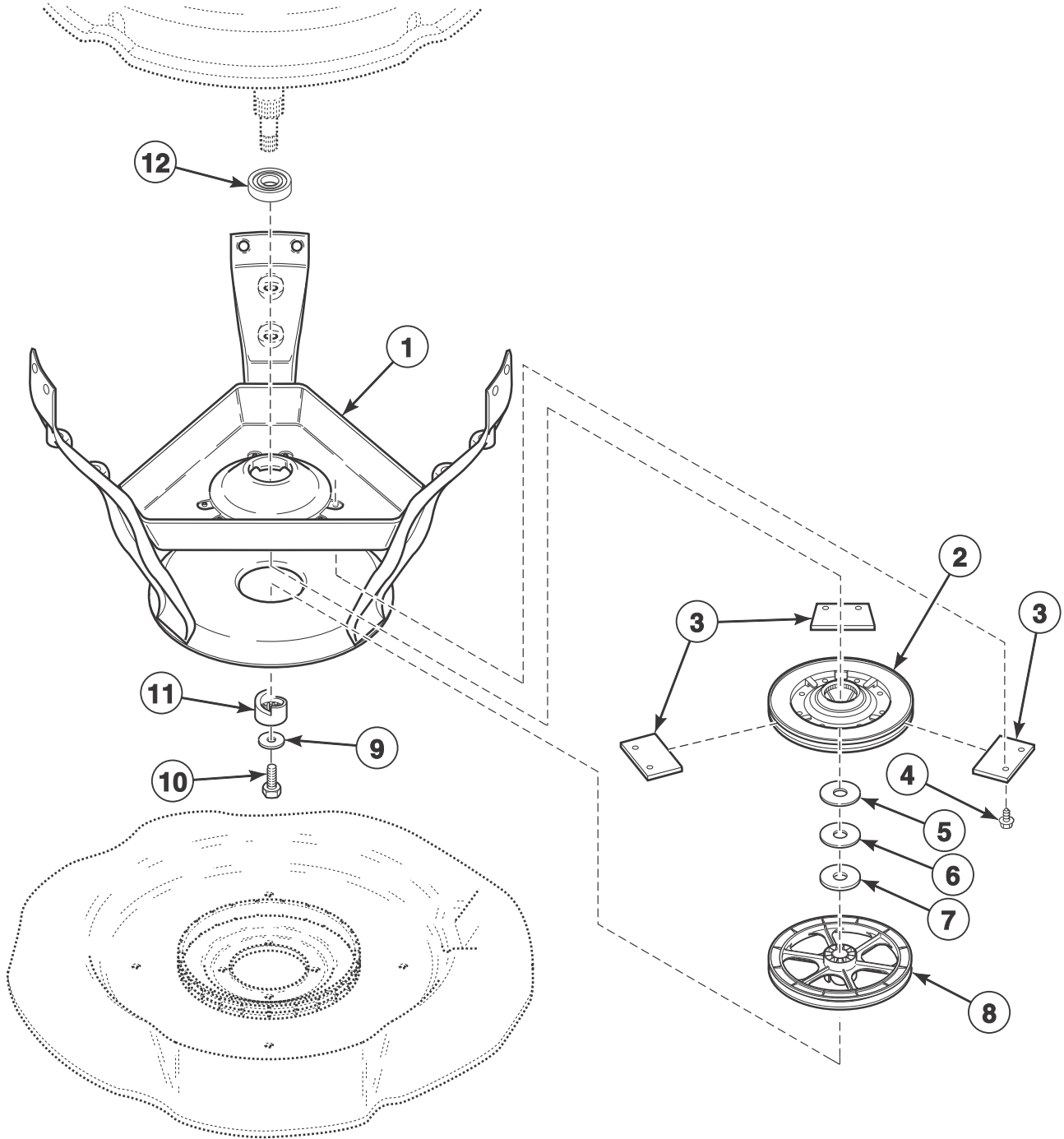


W354P_202731

Drain Hoses and Siphon Break Kit

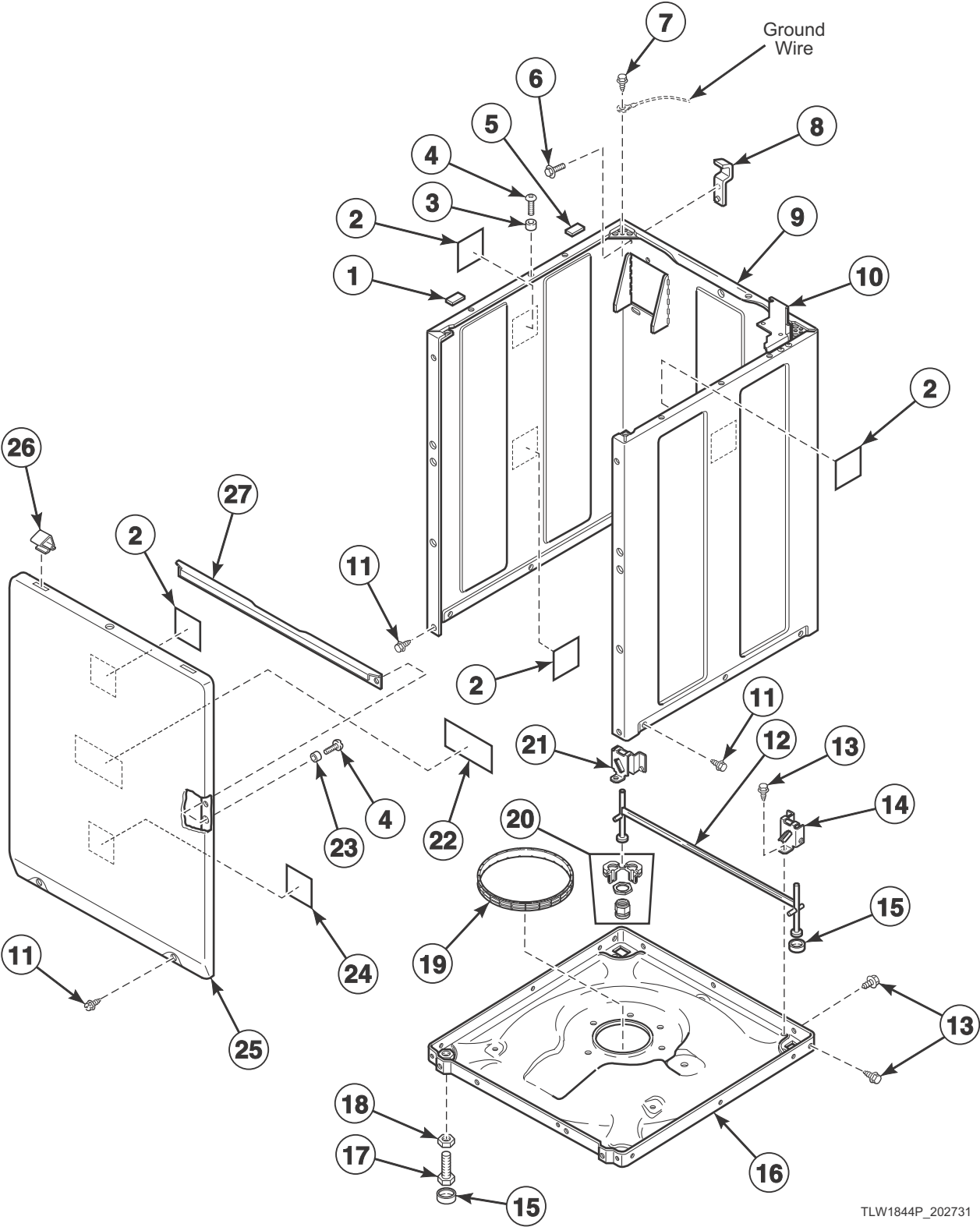
| REF | PART NO. | DESCRIPTION | COMMENTS |
|-----|----------|--------------------------|---|
| | 451P3 | Drain Extension Kit | |
| 1 | 52909 | Screw | |
| 2 | 20211 | Hose Clamp | |
| 3 | 28293 | Drain Hose | |
| 4 | 25863 | Hose Coupler | If drain hose must be shortened, cut hose between molded end and molded elbow; Use (1) 25863 Hose Coupler to splice hose |
| 5 | F200204 | Hose Clamp | |
| 6 | 38351 | Tub-to-Pump Hose | |
| 7 | 39177 | Hose Retainer Clip | |
| 8 | 38273 | Pump-to-Drain Elbow Hose | |
| 9 | 20391 | Hose Clamp | |
| 10 | 35766 | Drain Hose Elbow | Models BWNBX2PP302AW01, BWNMN2PP302AW01, GWNMN1PP302AW01, GWNMN2PP302AW01, GWNMN2PP302NW01, GWNSX1PP302AW01, GWNSX1PP302EW09, GWNSX2PP302AW01, GWNSX2PP302NW01, HWNSX1SP302UW09, NWNBX2SP302NW22, NWNMN2SP302NW22, NWNMX2SP302NW22, PWNBX2PP302AG02, SWNBX2SP302AW01, SWNBX2SP302NQ22, SWNBX2SP302NW22, SWNLX2SP302AW01, SWNLY2SP302NW22, SWNMN1SP302AW01, SWNMN1SP302NW22, SWNMN1SP302SW01, SWNSX1PP302AW01, SWNSX1SP302AW01, SWNSX1SP302BW01, SWNSX1SP302EW09, SWNSX1SP302NW22, SWNSX1SP302SQ01, SWNSX1SP302SW01, SWNSX1SP302UW01 and TWNBX2SP302NW22 |
| | 36990 | Drain Hose Elbow | All other models |
| 11 | 562P3 | Siphon Break Kit | Siphon break kit must be installed in drain hose if drain receptacle is lower than cabinet top of washer |

Weldment and Bearing Assembly, Brake and Pulley



TLW1841P_202731

Front Panel, Base Assembly and Cabinet Kit

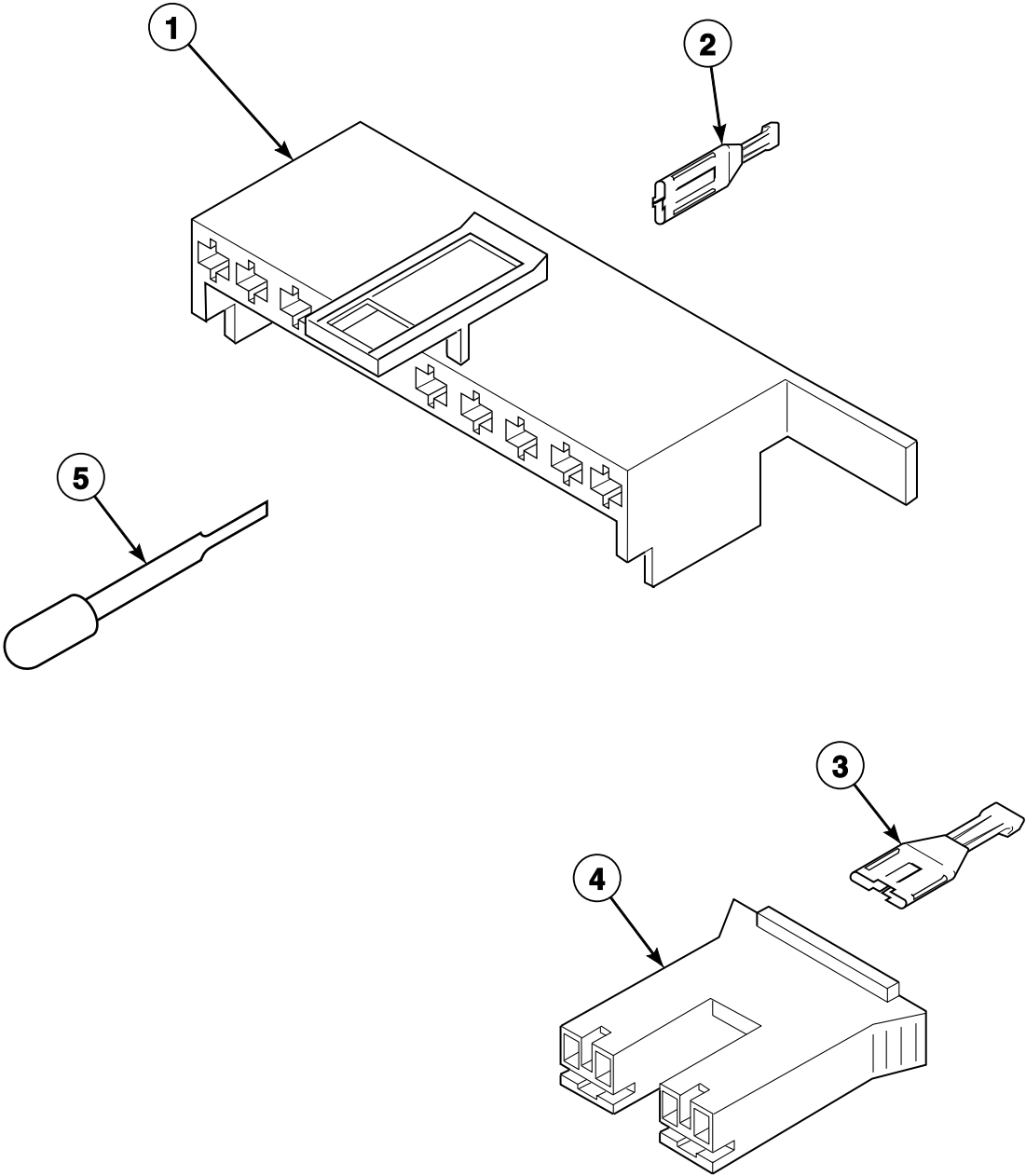


TLW1844P_202731

Front Panel, Base Assembly and Cabinet Kit

| REF | PART NO. | DESCRIPTION | COMMENTS |
|-----|----------|--------------------------------------|---|
| | 122P4P | Porcelain Touch-Up Paint | White |
| | 370P4P | Porcelain Touch-Up Paint | Bisque |
| | 806436P | Paint | Dark gray |
| 1 | 56128 | Bumper Pad | |
| 2 | 39480 | Foam Pad | |
| 3 | 56079 | Panel Locator | |
| 4 | 39733 | Screw | |
| 5 | 36226 | Bumper Pad | |
| 6 | D501524 | Screw | |
| 7 | 52909 | Screw | |
| 8 | 27103 | Hold-Down Lug Hinge | |
| 9 | 38612WP | Service Cabinet Kit | White |
| | 38612QP | Service Cabinet Kit | Bisque |
| | 38612DG | Service Cabinet Kit | Dark gray |
| 10 | 35867 | Meter Case Mounting Bracket Assembly | |
| 11 | 27196 | Screw | Slotted hex head |
| | 431287 | Screw | Torx head |
| 12 | 34443 | Leg and Stabilizer Assembly | |
| 13 | 35148 | Screw | |
| 14 | 36036 | Bracket | Right |
| 15 | 34318 | Rubber Foot | |
| 16 | 39788 | Base Assembly | |
| 17 | 34319 | Leveling Leg | |
| 18 | 21899 | Nut | |
| 19 | 37937 | Friction Ring | |
| 20 | 566P3 | Adjustable Leg Extension Kit | Provides adjustment capabilities to rear self-leveling legs |
| 21 | 36037 | Bracket | Left |
| 22 | 36204 | Front Panel Pad | |
| 23 | 28102 | Panel Locator | |
| 24 | 203484 | Foam Pad | |
| 25 | 38335WP | Front Panel | White |
| | 38335QP | Front Panel | Bisque |
| | 38335DG | Front Panel | Dark gray |
| 26 | 35865 | Hold-Down Clip | |
| 27 | 35097 | Front Panel Brace | |

Mixing Valve and Motor Disconnect Blocks, Terminals and Terminal Extractor Tool

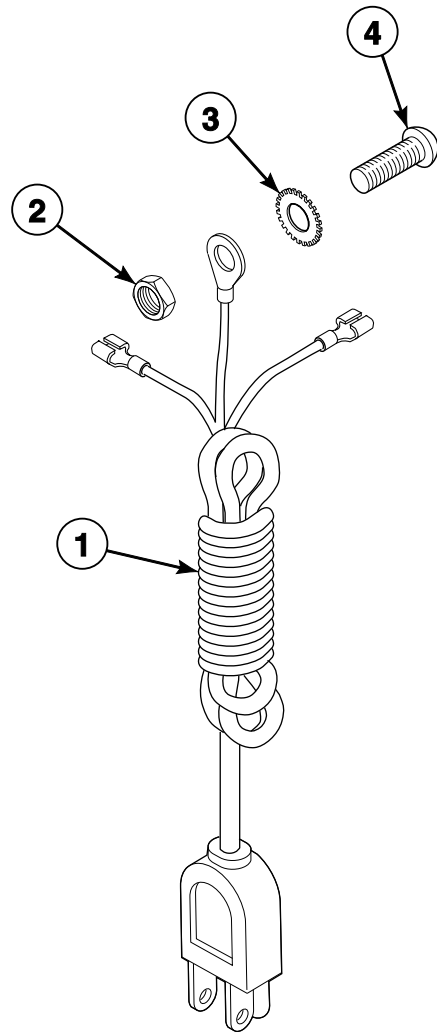


W134PZ3A_202731

Mixing Valve and Motor Disconnect Blocks, Terminals and Terminal Extractor Tool

| REF | PART NO. | DESCRIPTION | COMMENTS |
|-----|----------|-------------------------|-----------------------------|
| 1 | 34677 | 10 Circuit Plug | Motor |
| 2 | 00188 | Female Terminal | For 1 or 2 wire application |
| 3 | 00121 | Female Spade Terminal | 1/4 inch |
| 4 | 34675 | Mixing Valve Plug | Natural |
| | 34676 | Mixing Valve Plug | Red |
| 5 | 283P4 | Terminal Extractor Tool | |

Lead-In Cord

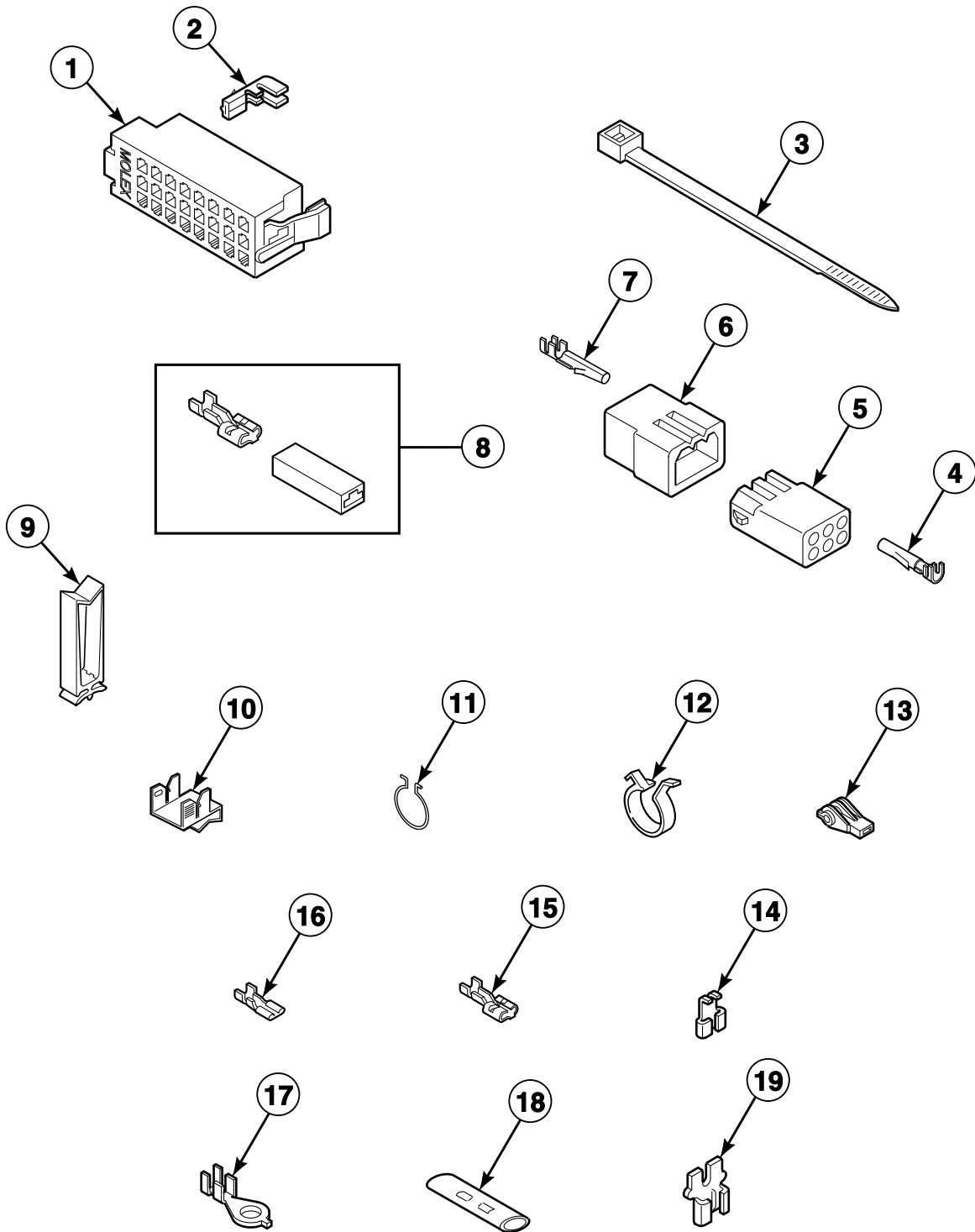


TLW1089P_202731

Lead-In Cord

| REF | PART NO. | DESCRIPTION | COMMENTS |
|-----|----------|-----------------------|--|
| 1 | 38362P | Lead-In Cord | Models GWNMN2PP302NW01, GWNSX2PP302NW01, NWNBX2SP302NW22, NWNMN1SP542NW22, NWNMN2SP302NW22, NWNMX2SP302NW22, SWNBX2SP302NQ22, SWNBX2SP302NW22, SWNLY2SP302NW22, SWNMN1SP302NW22, SWNMN1SP302SW01, SWNSX1SP302NW22, SWNSX1SP302SQ01, SWNSX1SP302SW01, SWNSX1SP542NW22 and TWNBX2SP302NW22 |
| | 38363 | Lead-In Cord | Model SWNLX1SP542NW23 |
| | 39931 | Power Cord Assembly | Models BWNBX2PP302AW01, BWNMN2PP302AW01, GWNMN1PP302AW01, GWNMN2PP302AW01, GWNSX1PP302AW01, GWNSX2PP302AW01, PWNBX2PP302AG02, SWNBX2SP302AW01, SWNLX2SP302AW01, SWNMN1SP302AW01, SWNSX1PP302AW01 and SWNSX1SP302AW01 |
| | 39984 | Power Cord Assembly | Model SWNSX1SP302BW01 |
| | 39925 | Power Cord Assembly | Models GWNSX1PP302EW09 and SWNSX1SP302EW09 |
| | 39926 | Lead-In Cord | Models HWNSX1SP302UW09 and SWNSX1SP302UW01 |
| | 201439 | Lead-In Cord | Model SWNBX2SP112FW27 |
| | 204061 | Power Cord Assembly | Model SWNBX2SP082JW01 |
| | 804556 | Lead-In Cord Assembly | Models HWNBX1SP122DW01, HWNBX1SP542DW01, HWNLX1SP122DW01, HWNLX1SP542DW01, SWNBX1SP122DW01, SWNBX1SP542DW01, SWNLX1SP122DW01 and SWNLX1SP542DW01 |
| | 34458 | Lead-In Cord | All other models |
| 2 | 03673 | Nut | |
| 3 | 21735 | Washer | |
| 4 | 20267 | Screw | |

Terminals

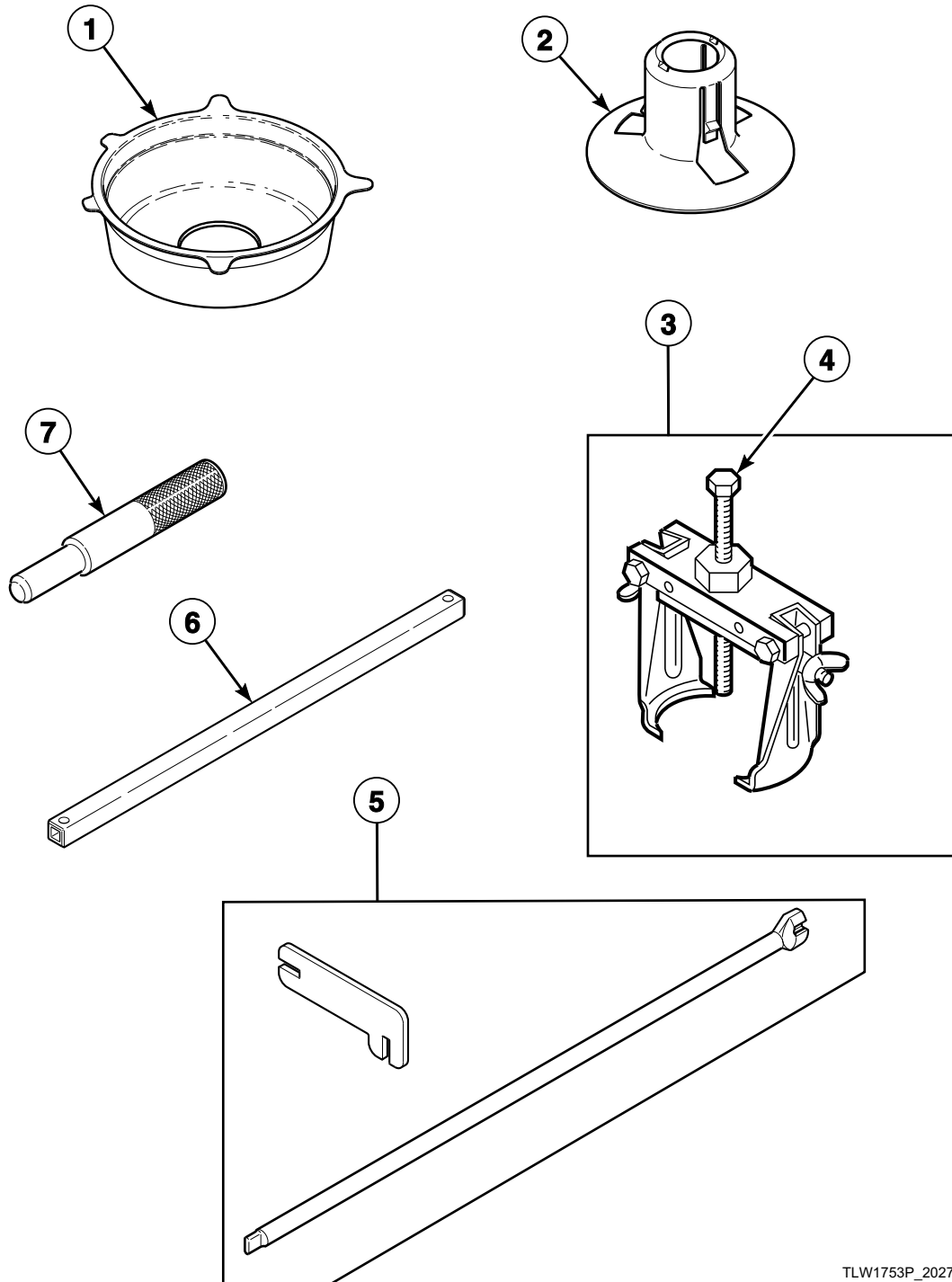


TLW1645P_202731

Terminals

| REF | PART NO. | DESCRIPTION | COMMENTS |
|-----|----------|---------------------------------|----------------------------------|
| 1 | 32746 | 24 Position Housing | Right; Black |
| | 34123 | 24 Position Housing | Left; White |
| 2 | 00188 | Female Terminal | Used for 1 or 2 wire application |
| 3 | 55881 | Harness Strap | 4 inches |
| | M405829 | Cable Tie | Push-mount; 6.13 inches |
| 4 | 00117 | Female Pin Terminal | |
| 5 | 26301 | 1 Circuit Receptacle | |
| | 26708 | 6 Circuit Receptacle | |
| | 26163 | 9 Circuit Receptacle | |
| 6 | 26302 | 1 Circuit Plug | |
| | 23041 | 6 Circuit Plug | |
| | 23033 | 9 Circuit Plug | |
| 7 | 00116 | Male Pin Terminal | |
| 8 | 00359 | Insulated Female Spade Terminal | |
| 9 | 70366201 | Wire Clip | |
| 10 | 00161 | Grounding Clip | |
| 11 | 51291 | Wire Clip | |
| 12 | D504034 | Wire Clip | |
| 13 | 70210 | Insulator | |
| 14 | 00120 | Female Flag Terminal | |
| 15 | 00223 | Female Spade Terminal | Large spade |
| 16 | 00112 | Female Spade Terminal | Small spade |
| 17 | 00110 | Ring Terminal | Small shank |
| 18 | 21091 | Connector | |
| 19 | F140562 | Connector | |

Shipping Materials and Special Tools

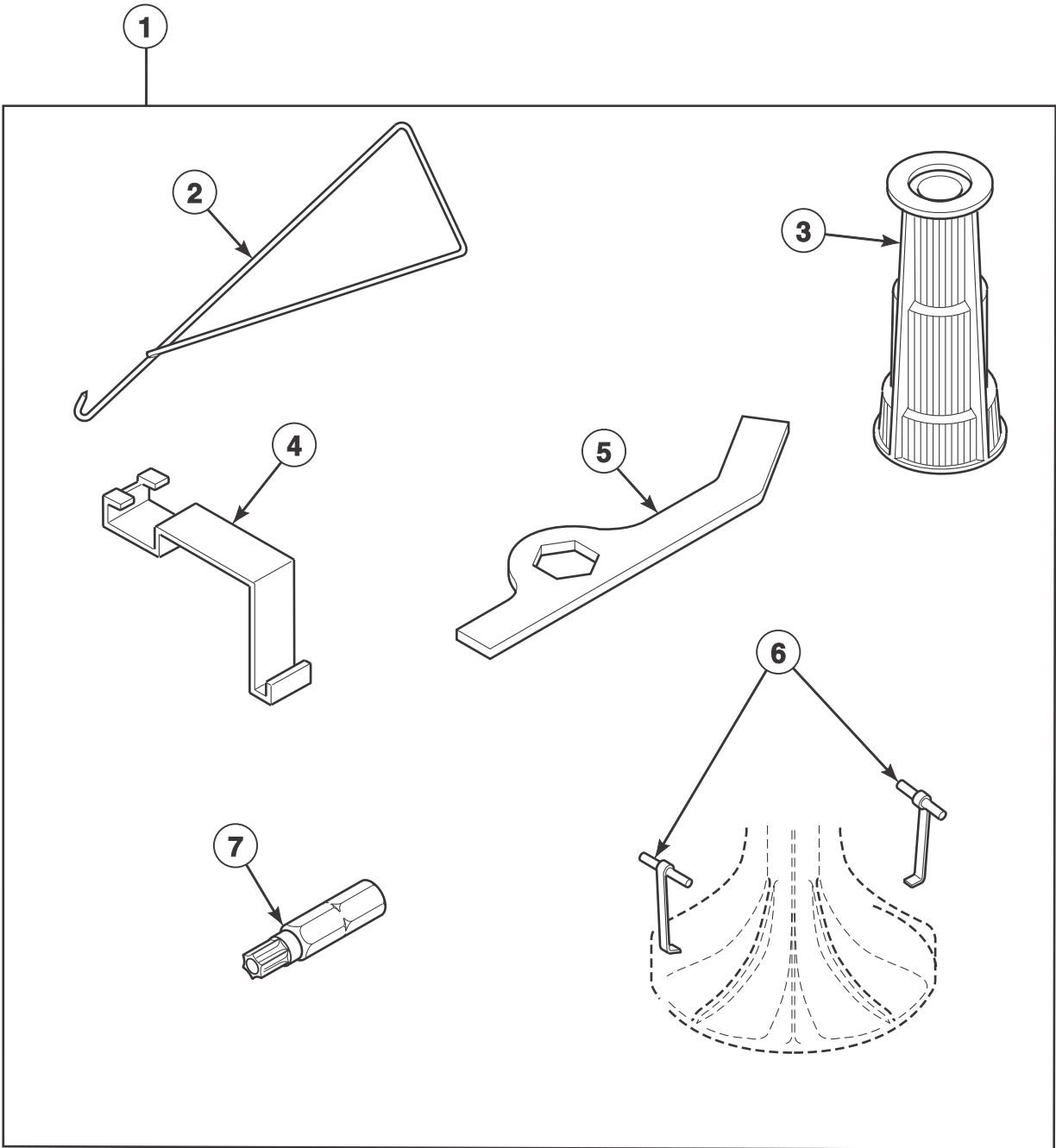


TLW1753P_202731

Shipping Materials and Special Tools

| REF | PART NO. | DESCRIPTION | COMMENTS |
|-----|----------|----------------------------|--|
| 1 | 200552 | Shipping Brace | Install whenever moving washer; Remove before use |
| 2 | 38149 | Shipping Plug | Install whenever moving washer; Remove before use |
| 3 | 294P4 | Agitator Drive Bell Puller | For removal and installation of drive bell to transmission shaft |
| 4 | 294P4B | Bolt | |
| 5 | CK096 | Mounting Tool Kit | Use to install and remove electronic coin drops |
| 6 | 310P4 | Ratchet Extension Tool | 1/4 inch; Use to install and remove non-electronic coin drops |
| 7 | 305P4 | Transmission Pin Tool | Use pin tools in place of dowel pins when reassembling transmission cover and case; 2 required |

Special Tools



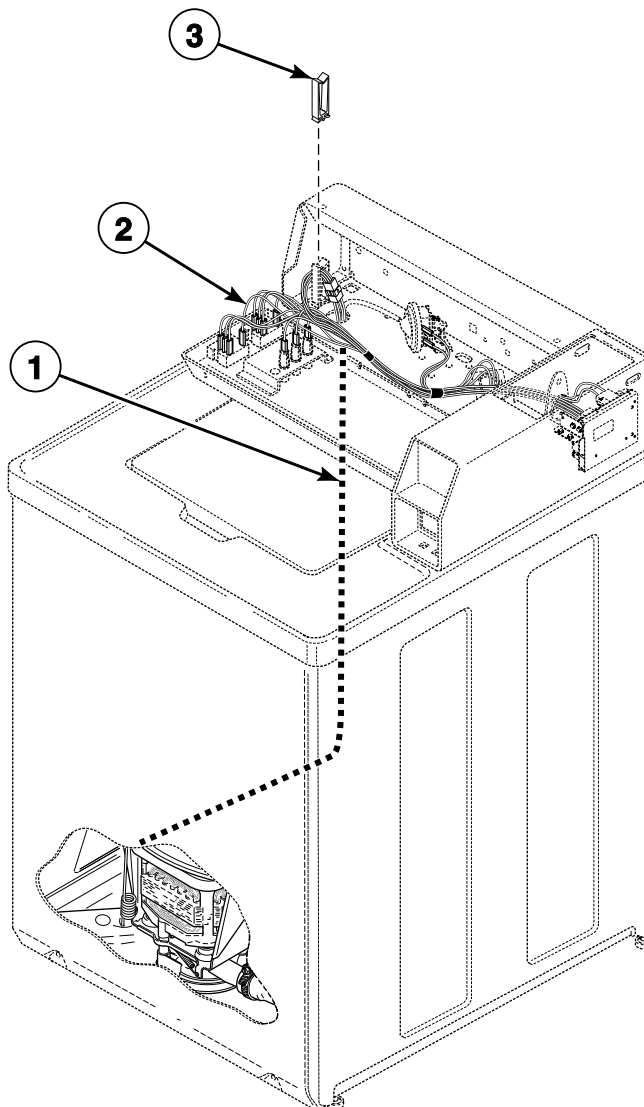
TLW1818P_202731

Special Tools

| REF | PART NO. | DESCRIPTION | COMMENTS |
|-----|----------|------------------------|---|
| 1 | 725P3 | Tool Kit | Includes items 2-7 |
| 2 | 321P4 | Spring Hook Tool | For removal of centering springs from outer tub |
| 3 | 293P4 | Drive Bell Seal Tool | For installation of 36426 Bell and Transmission Tube Seal |
| 4 | 273P4 | Tub Cover Removal Tool | Use to install 38359 Tub Cover Gasket in outer tub cover |
| 5 | 306P4 | Hex Wrench Tool | For removal of locknut from washtub hub |
| 6 | 254P4P | Agitator Hook | Use to remove agitator from drive bell; Set of 2 |
| 7 | 281P4 | Torx Bit | T15; For removal and installation of control hood security screws |
| | 282P4 | Torx Bit | T25; For removal and installation of front panel security screws |

Wire Harnesses and Wires (Drawing 1 of 2)

Models BWNMN2PP112CW01, BWNMN2PP302AW01, BWNSX2PP112CW01, GWNMN1PP302AW01, GWNMN2PP302AW01, GWNMN2PP302NW01, GWNMN2PP112TW01, GWNSX1PP302AW01, GWNSX1PP302EW09, GWNSX2PP112TW01, GWNSX2PP302AW01, GWNSX2PP302NW01, HWNMN2PP112TW01, HWNMN2SP112CW01, HWNSX1PP112TQ01, HWNSX1PP112TW01, HWNSX1SP112CW01, HWNSX1SP302UW09, HWNSX2PP112TQ01, HWNSX2PP112TW01, HWNSX2SP112CW01, NWNMN1SP542NW22, NWNMN2SP302NW22, NWNSX2SP302NW22, PWNSX2PP112TG02, SWNMN1SP302AW01, SWNMN1SP302NW22, SWNMN1SP302SW01, SWNMN2PP112TW01, SWNMN2SP112CW01, SWNMN2SP112TW01, SWNMN2SP112TW08, SWNSX1PP112TQ01, SWNSX1PP112TW01, SWNSX1PP302AW01, SWNSX1SP112TQ01, SWNSX1SP112TW01, SWNSX1SP302AW01, SWNSX1SP302BW01, SWNSX1SP302EW09, SWNSX1SP302NW22, SWNSX1SP302SQ01, SWNSX1SP302SW01, SWNSX1SP302UW01, SWNSX1SP542NW22, SWNSX2PP112TQ01, SWNSX2PP112TW01, SWNSX2PP112TW02, SWNSX2SP112CW02, SWNSX2SP112TQ01, SWNSX2SP112TW01, SWNSX2SP112TW02 and UWNMN2SP112CW01



TLW1733P_202731

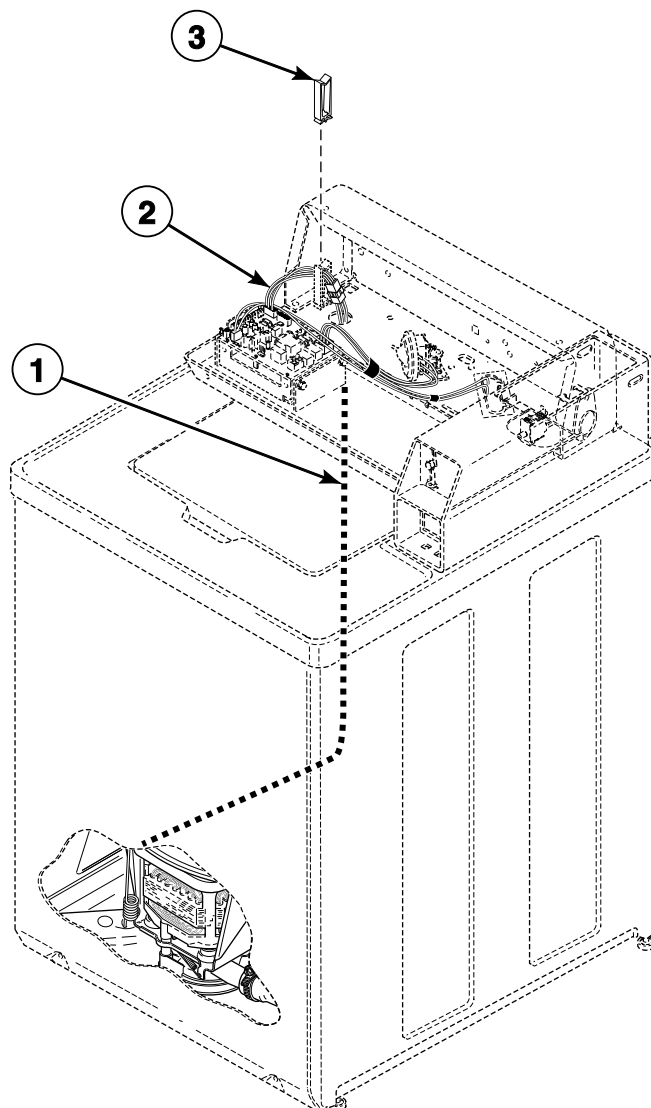
Wire Harnesses and Wires (Drawing 1 of 2)

| REF | PART NO. | DESCRIPTION | COMMENTS |
|-----|----------|----------------------------|---|
| | 45001 | 18 Gauge Wire | Black; Order wire by foot and terminals as required |
| | 45380 | 12 Gauge Wire | Orange; Order wire by foot and terminals as required |
| 1 | 201466 | Base Wire Harness Assembly | Models BWNMN2PP302AW01, GWNMN2PP302AW01, GWNMN2PP302NW01, GWNSX2PP302AW01, GWNSX2PP302NW01, NWNMN2SP302NW22 and NWNSX2SP302NW22 |
| | 201435 | Base Wire Harness Assembly | Models GWNMN1PP302AW01, GWNSX1PP302AW01, GWNSX1PP302EW09, HWNSX1SP302UW09, SWNMN1SP302AW01, SWNMN1SP302SW01, SWNSX1PP302AW01, SWNSX1SP302AW01, SWNSX1SP302BW01, SWNSX1SP302EW09, SWNSX1SP302SQ01, SWNSX1SP302SW01 and SWNSX1SP302UW01 |
| | 38772P | Base Wire Harness Assembly | Models NWNMN1SP542NW22 and SWNSX1SP542NW22 |
| | 38661P | Wire Harness Assembly | Base; All other models |
| | 201766 | Hood Harness | Models GWNSX1PP302EW09, HWNSX1SP302UW09 and SWNSX1SP302EW09 |
| 2 | 201729 | Hood Harness | Models BWNMN2PP302AW01, GWNMN1PP302AW01, GWNMN2PP302AW01, GWNMN2PP302NW01, GWNSX1PP302AW01, GWNSX2PP302AW01, GWNSX2PP302NW01, NWNMN1SP542NW22, NWNMN2SP302NW22, NWNSX2SP302NW22, SWNMN1SP302AW01, SWNMN1SP302NW22, SWNMN1SP302SW01, SWNSX1PP302AW01, SWNSX1SP302AW01, SWNSX1SP302BW01, SWNSX1SP302NW22, SWNSX1SP302SQ01, SWNSX1SP302SW01, SWNSX1SP302UW01 and SWNSX1SP542NW22 |
| | 201688 | Hood Harness | All other models |
| | 70366201 | Wire Clip | |
| 3 | 70366201 | Wire Clip | |

NOTE: Individual wires are not available separately. Order complete harness, or order wire by the foot. When applying terminals to wires, it is recommended that the terminals be soldered to the wires.

Wire Harnesses and Wires (Drawing 2 of 2)

Models BWNBC2PP112TW01, BWNBX2PP112TW01, BWNBX2PP302AW01, BWNBY2PP112TW01, HWNBC2PP112TQ01, HWNBC2PP112TW01, HWNBD2SP112CQ01, HWNBD2SP112CW01, HWNBE2SP112CW01, HWNBX1SP122DW01, HWNBX1SP542DW01, HWNBX2SP112CW01, HWNBX2SP112FW28, HWNBY2PP112TW01, HWNBY2SP112CW01, HWNLE2AP112CW01, HWNLE2HP112CW01, HWNLE2SP112CW01, HWNLX1SP122DW01, HWNLX1SP542DW01, HWNLX2HP112CW01, HWNLX2SP112CW01, HWNLY2HP112CW01, HWNLY2SP112CW01, NWNBX2SP302NW22, PWNBC2PP112TG02, PWNBX2PP112TG02, PWNBX2PP302AG02, SWNBC2PP112TQ01, SWNBC2PP112TW01, SWNBC2PP112TW02, SWNBC2SP112TQ01, SWNBC2SP112TW01, SWNBX1SP122DW01, SWNBX1SP542DW01, SWNBX2PP112TW02, SWNBX2SP082JW01, SWNBX2SP112FW27, SWNBX2SP112TQ01, SWNBX2SP112TW01, SWNBX2SP302AW01, SWNBX2SP302NQ22, SWNBX2SP302NW22, SWNBY2PP112TW01, SWNBY2SP112TW01, SWNLC2AP112TW01, SWNLC2AP112TW02, SWNLC2HP112TQ01, SWNLC2HP112TW01, SWNLC2HP112TW02, SWNLC2PP112TW01, SWNLC2PP112TW02, SWNLC2SP112TQ01, SWNLC2SP112TW01, SWNLC2SP112TW02, SWNLX1SP122DW01, SWNLX1SP542DW01, SWNLX1SP542NW23, SWNLX2AP112TW02, SWNLX2HP112TW01, SWNLX2HP112TW02, SWNLX2PP112TW02, SWNLX2SP112TW01, SWNLX2SP112TW02, SWNLX2SP302AW01, SWNLY2AP112TW01, SWNLY2HP112TW01, SWNLY2PP112TW01, SWNLY2SP112TW01, SWNLY2SP302NW22, SWNWy2AP112TW11, SWNWy2HP112TW11 and TWNBX2SP302NW22



TLW1734P_202731

Wire Harnesses and Wires (Drawing 2 of 2)

| REF | PART NO. | DESCRIPTION | COMMENTS |
|-----|----------|----------------------------|--|
| | 45001 | 18 Gauge Wire | Black; Order wire by foot and terminals as required |
| | 45380 | 12 Gauge Wire | Orange; Order wire by foot and terminals as required |
| 1 | 201466 | Base Wire Harness Assembly | Models BWNBX2PP302AW01, NWNBX2SP302NW22, PWNBX2PP302AG02, SWNBX2SP302AW01, SWNBX2SP302NQ22, SWNBX2SP302NW22, SWNLX2SP302AW01, SWNLY2SP302NW22 and TWNBX2SP302NW22 |
| | 202721 | Wire Harness Assembly | Base; Models HWNBX1SP542DW01, HWNLX1SP542DW01, SWNBX1SP542DW01, SWNLX1SP542DW01 and SWNLX1SP542NW23 |
| | 202838 | Wire Harness Assembly | Base; Models HWNBX1SP122DW01, HWNLX1SP122DW01, SWNBX1SP122DW01 and SWNLX1SP122DW01 |
| | 38661P | Wire Harness Assembly | Base; All other models |
| 2 | 210178P | Harness Assembly | Hood; Models BWNBX2PP302AW01, HWNBX1SP542DW01, HWNLX1SP542DW01, NWNBX2SP302NW22, PWNBX2PP302AG02, SWNBX1SP542DW01, SWNBX2SP302AW01, SWNBX2SP302NQ22, SWNBX2SP302NW22, SWNLX1SP542DW01 and TWNBX2SP302NW22 |
| | 202671 | Wire Harness Assembly | Hood; Models HWNLX1SP542DW01, SWNLX1SP542DW01, SWNLX1SP542NW23, SWNLX2SP302AW01 and SWNLY2SP302NW22 |
| | 202667 | Wire Harness Assembly | Hood; Models HWNLE2SP112CW01, HWNLX1SP122DW01, HWNLX2SP112CW01, HWNLY2SP112CW01, SWNLC2PP112TW01, SWNLC2PP112TW02, SWNLC2SP112TQ01, SWNLC2SP112TW01, SWNLC2SP112TW02, SWNLX1SP122DW01, SWNLX2PP112TW02, SWNLX2SP112TW01, SWNLX2SP112TW02, SWNLY2PP112TW01 and SWNLY2SP112TW01 |
| | 202375 | Wire Harness Assembly | Hood; Models HWNLE2AP112CW01, HWNLE2HP112CW01, HWNLX2HP112CW01, HWNLY2HP112CW01, SWNLC2AP112TW01, SWNLC2AP112TW02, SWNLC2HP112TQ01, SWNLC2HP112TW01, SWNLC2HP112TW02, SWNLX2AP112TW02, SWNLX2HP112TW01, SWNLX2HP112TW02, SWNLY2AP112TW01, SWNLY2HP112TW01, SWNWY2AP112TW11 and SWNWY2HP112TW11 |
| | 202229P | Wire Harness Assembly | Hood; All other models |
| 3 | 70366201 | Wire Clip | |

NOTE: Individual wires are not available separately. Order complete harness, or order wire by the foot. When applying terminals to wires, it is recommended that the terminals be soldered to the wires.

Parts Index

A

| | |
|---|----------------|
| Adjustable Leg Extension Kit 566P3 | 71 |
| Agitate and Spin Belt 200923 | 51, 53, 55, 57 |
| 38174 | 55, 57 |
| Agitator 33174 | 59 |
| Agitator Cap 36515 | 59 |
| Agitator Drive Bell Puller 294P4 | 79 |
| Agitator Hook 254P4P | 81 |
| Agitator Pinion 27003 | 65 |
| Anti-Seize Compound 27604P | 65 |

B

| | |
|--|---|
| Balance Ring Assembly 39837 | 59 |
| Base Assembly 39788 | 71 |
| Base Wire Harness Assembly 201435 | 83 |
| 201466 | 83, 85 |
| 38772P | 83 |
| Bell and Transmission Tube Seal 36425 | 59 |
| Bell Plug 36511 | 59 |
| Belt and Pump Kit RB150003 | 55 |
| Bolt 02505 | 7, 9 |
| 294P4B | 79 |
| 29651 | 7 |
| 32184 | 43 |
| Bracket 202083 | 41 |
| 36036 | 71 |
| 36037 | 71 |
| 803662 | 7 |
| Brake Kit 38505P | 69 |
| Brake Pad Kit 735P3 | 69 |
| Bumper M400795 | 15, 17, 19, 21, 23, 25, 27, 29, 31, 33, 35, 37 |
| 21685 | 39, 43 |
| Bumper Pad 36226 | 71 |
| 56128 | 71 |
| Bushing 33446 | 39, 43 |

C

| | |
|--|----------------------------|
| Cable Connection Box 39922 | 17, 21, 23, 27, 31 |
| Cable Tie M405829 | 77 |
| Capacitor 203140 | 53 |
| 37377 | 55 |
| Capacitor and Clamp Kit 39259P | 51, 53, 55 |
| Capacitor Clamp 37535 | 51, 53, 55 |
| Central Pay Harness D511478 | 25, 27, 29, 31, 33, 35, 37 |
| Chassis Mounting Bracket 201581 | 7 |
| Circuit Board Support D501523 | 23 |
| Clip 201572 | 13 |
| Coin Box Extension Kit 803578P | 7, 9 |
| Coin Drop 200731 | 11 |
| 38963P | 11 |
| 39748 | 11 |
| 70441601P | 11 |
| 70441603 | 11 |
| Coin Drop Assembly CK114 | 11 |
| CK123 | 11 |
| 201141 | 11 |
| 210195 | 11 |
| 210196 | 11 |
| 38462P | 11 |
| 38463 | 11 |
| 38464P | 11 |
| 38467 | 11 |
| 38472 | 11 |
| 38475 | 11 |
| 38519 | 11 |
| 38521 | 11 |
| 39157 | 11 |
| 553192 | 11 |
| 70281102 | 11 |
| 70441602 | 11 |
| 70447301 | 11 |
| 70482401 | 11 |
| 70506901 | 11 |
| Coin Drop Kit CK055 | 11 |
| CK056 | 11 |
| CK057 | 11 |
| CK058 | 11 |
| CK060 | 11 |
| CK071 | 11 |
| CK077 | 11 |
| CK078 | 11 |
| CK085 | 11 |
| CK086 | 11 |
| CK089 | 11 |

N/A items do not appear in index.

| | |
|------------------------------------|----------------------------|
| CK090 | 11 |
| CK091 | 11 |
| CK097 | 11 |
| CK098 | 11 |
| CK107 | 11 |
| CK111 | 11 |
| CK122 | 11 |
| Coin Drop Wire Harness | |
| 201104 | 13 |
| Coin Funnel Kit | |
| 523P3 | 7 |
| Coin Identification Paper | |
| 38725 | 9, 13 |
| Coin Slide Extension Kit | |
| 200913 | 7 |
| Coin Slide Kit | |
| CK001 | 7 |
| CK009 | 7 |
| CK010P | 7 |
| CK011 | 7 |
| CK014 | 7 |
| CK017 | 7 |
| Connector | |
| F140562 | 77 |
| 21091 | 77 |
| Control Assembly | |
| 202391P | 29, 31, 35 |
| 202392P | 25, 27, 33 |
| 202393P | 7, 15, 17 |
| 202820P | 29, 35, 37 |
| 202831P | 25, 27, 33 |
| Control Hood | |
| 210142W | 15, 17, 33, 35, 37 |
| 37075DG | 19 |
| 37075Q | 19, 21, 25, 29 |
| 37075W | 19, 21, 23, 25, 27, 29, 31 |
| Control Lid Lock Assembly | |
| 37225P | 23 |
| Control Overlay | |
| 201667 | 19, 21 |
| 201668 | 19 |
| 201673 | 23 |
| 201674 | 19 |
| 201675 | 19 |
| 201718 | 15 |
| 201744 | 15, 17 |
| 201762 | 15 |
| 201935 | 19, 21 |
| 201936 | 15, 17 |
| 201937 | 21 |
| 201938 | 17 |
| 202012 | 15, 17 |
| 202022 | 23 |
| 202129 | 15 |
| 202130 | 21 |
| 202134 | 15 |
| 202362 | 15 |
| 202408 | 23 |
| 202415 | 35, 37 |
| 202417 | 29, 31 |
| 202418 | 35 |
| 204005 | 19 |
| Control Panel and Bracket Assembly | |
| 36520DG | 19 |
| 36521QP | 19, 21 |
| 36521WP | 19, 21, 23 |

| | |
|-------------------------|--|
| Control Panel Assembly | |
| 201742W | 15, 17 |
| 210042DG | 25 |
| 210042Q | 25, 29 |
| 210042W | 25, 27, 29, 31 |
| 210137W | 33, 35, 37 |
| Control Panel Bumper | |
| 202469 | 15, 17, 19, 21, 23, 25, 27, 29, 31, 33, 35, 37 |
| Control Panel Overlay | |
| 201003 | 33 |
| 201007 | 33 |
| 202416 | 29, 31 |
| Control Shield | |
| D512304 | 7 |
| 210053 | 25, 27, 29, 31, 33, 35, 37 |
| Control Sticker Overlay | |
| 202309 | 29, 35 |
| Counterweight Assembly | |
| 38769 | 61 |
| Cover Plate | |
| 37828P | 43 |
| Cycle Selector Switch | |
| 201686 | 15, 17, 19, 21, 23 |

D

| | |
|----------------------------------|------------------------|
| Diagnostic Wire Harness Assembly | |
| 800680 | 33, 35, 37 |
| Disconnect Power Warning Label | |
| D505281 | 15, 17, 33, 35, 37, 39 |
| Door Lock Spacer | |
| 201414 | 43 |
| Drain Extension Kit | |
| 451P3 | 67 |
| Drain Hose | |
| 28293 | 67 |
| Drain Hose Elbow | |
| 35766 | 67 |
| 36990 | 67 |
| Drive Bell and Seal Kit | |
| 39508P | 59 |
| Drive Bell Seal Tool | |
| 293P4 | 81 |
| Drive Pinion | |
| 37405 | 65 |
| Dual Overlay | |
| 39073 | 9 |

E

| | |
|-------------------------------|--------|
| Electrical Shock Label | |
| F8211201 | 23, 39 |
| Electronic Coin Drop Assembly | |
| 70294103P | 13 |
| 70294104 | 13 |
| 70294105P | 13 |
| 70294106 | 13 |
| 70294107 | 13 |
| 70294110 | 13 |
| 70294111 | 13 |
| 70294117 | 13 |
| 70294119 | 13 |
| 70294120 | 13 |

N/A items do not appear in index.

| | |
|---------------------------|--------------------|
| 70294121 | 13 |
| 70294122 | 13 |
| 70513302 | 13 |
| 70513311 | 13 |
| Electronic Coin Drop Kit | |
| CK099 | 13 |
| CK100 | 13 |
| CK101 | 13 |
| CK103 | 13 |
| CK108 | 13 |
| CK109 | 13 |
| CK110 | 13 |
| CK113 | 13 |
| CK115 | 13 |
| CK116 | 13 |
| CK117 | 13 |
| CK118 | 13 |
| CK119 | 13 |
| CK120 | 13 |
| CK121 | 13 |
| Electronic Control Shield | |
| D501441 | 37 |
| End Cap | |
| 210108W | 15, 17, 33, 35, 37 |
| 210109W | 15, 17, 33, 35, 37 |
| Ethernet Gateway Kit | |
| NK320 | 29, 31, 35, 37 |

F

| | |
|-----------------------|--------|
| Female Flag Terminal | |
| 00120 | 77 |
| Female Pin Terminal | |
| 00117 | 77 |
| Female Spade Terminal | |
| 00112 | 77 |
| 00121 | 73 |
| 00223 | 77 |
| Female Terminal | |
| 00188 | 73, 77 |
| Fill Hose | |
| 202799 | 49 |
| 202800 | 49 |
| 20617 | 49 |
| 20618 | 49 |
| 37380 | 49 |
| 37381 | 49 |
| Fill Hose Kit | |
| 38349P | 49 |
| Flex Vane Agitator | |
| 36507 | 59 |
| Foam Pad | |
| 203484 | 71 |
| 39480 | 71 |
| Friction Ring | |
| 37937 | 71 |
| Front Panel | |
| 38335DG | 71 |
| 38335QP | 71 |
| 38335WP | 71 |
| Front Panel Brace | |
| 35097 | 71 |
| Front Panel Pad | |
| 36204 | 71 |

G

| | |
|------------------------|--------|
| Gasket | |
| 70392701P | 17 |
| Gear and Stud Assembly | |
| 26577 | 65 |
| Gear Sleeve | |
| 38864 | 65 |
| Graphic Overlay | |
| 201999 | 19 |
| Grease | |
| 36765P | 59 |
| Grommet | |
| 29175 | 63 |
| 80262 | 41, 43 |
| Grounding Clip | |
| 00161 | 77 |

H

| | |
|----------------------|----------------|
| Harness Assembly | |
| 210178P | 85 |
| 802904P | 9 |
| 802905 | 9, 13 |
| Harness Strap | |
| 55881 | 77 |
| Helix | |
| 38008 | 69 |
| Hex Wrench Tool | |
| 306P4 | 81 |
| Hinge Gasket | |
| 34338 | 39, 43 |
| Hold-Down Clip | |
| 35865 | 71 |
| Hold-Down Lug Hinge | |
| 27103 | 71 |
| Hood Back Panel | |
| 38267 | 19, 21, 25, 29 |
| 39920 | 21, 23, 27, 31 |
| Hood Harness | |
| 201688 | 83 |
| 201729 | 83 |
| 201766 | 83 |
| Hose and Washers Kit | |
| 203675 | 49 |
| 203676 | 49 |
| Hose Clamp | |
| F200204 | 67 |
| 20211 | 67 |
| 20391 | 67 |
| 36801 | 47 |
| 39282 | 63 |
| 800803 | 47 |
| Hose Clip | |
| 36985 | 63 |
| Hose Coupler | |
| 25863 | 67 |
| Hose Retainer Clip | |
| 39177 | 67 |
| Housing, 24 Position | |
| 32746 | 77 |
| 34123 | 77 |

N/A items do not appear in index.

| | |
|----------------------|--------|
| Hub and Lip Seal Kit | |
| 766P3A | 59, 61 |
| Hub Spacer | |
| 201212 | 65 |

I

| | |
|---------------------------------|----------------|
| Idler Lever | |
| 38011 | 51, 53, 55, 57 |
| Idler Lever and Belt Kit | |
| 202972 | 51, 53, 57 |
| Idler Lever Kit | |
| 959P3 | 57 |
| Idler Lever Spring | |
| 201189 | 51, 53, 55 |
| 202032 | 51, 53, 55, 57 |
| Idler Pulley | |
| 38225P | 51, 53, 55, 57 |
| Idler Shaft | |
| 210186 | 51, 53, 55, 57 |
| Input Shaft | |
| 38268P | 65 |
| Insulated Female Spade Terminal | |
| 00359 | 77 |
| Insulator | |
| 70210 | 77 |
| Isolator Assembly | |
| 204062 | 51, 53, 55 |
| Isolator Post | |
| 38325 | 51, 53, 55 |

J

| | |
|-------------------------------|------------------------|
| Jumper Configuration Assembly | |
| M413507 | 25, 27, 29, 31, 35, 37 |

L

| | |
|-------------------------------|------------|
| Label | |
| 805914 | 25 |
| Lead-In Cord | |
| 201439 | 75 |
| 34458 | 75 |
| 38362P | 75 |
| 38363 | 75 |
| 39926 | 21, 23, 75 |
| Lead-In Cord Assembly | |
| 804556 | 27, 31, 75 |
| Lead-In Wire Harness Assembly | |
| 201405P | 23, 27, 31 |
| 39923 | 17, 21, 27 |
| Leg and Stabilizer Assembly | |
| 34443 | 71 |
| Leg Plate | |
| 27926 | 61 |
| Leg Spring | |
| 201521 | 61 |
| 37575 | 61 |
| 37576 | 61 |
| Leveling Leg | |
| 34319 | 71 |

N/A items do not appear in index.

| | |
|--------------------------------|--------------------|
| Lid | |
| 200891Q | 39 |
| 200892WP | 43 |
| 201760QP | 39 |
| 201761WP | 39 |
| 204615W | 39 |
| 33450DG | 39 |
| Lid and Carton Assembly | |
| 201460QP | 39 |
| Lid Hinge | |
| 36437 | 39, 43 |
| 36438 | 39, 43 |
| Lid Lock | |
| 202434 | 43 |
| Lid Lock Catch Assembly | |
| 201307P | 43 |
| Lid Lock Gasket | |
| 30378 | 43 |
| Lid Lock Kit | |
| 837P3 | 43 |
| Lid Lock Wire Harness Assembly | |
| 31973 | 43 |
| Lid Plug | |
| 34153 | 39 |
| Lid Switch Assembly | |
| 37631 | 45 |
| Lid Switch Indicator Light | |
| 39536 | 23 |
| Lid Switch Shield | |
| 202697 | 45 |
| Light | |
| 801431 | 15, 17, 19, 21, 23 |
| Lower Bearing | |
| 28944RP | 69 |

M

| | |
|---------------------------------|------------|
| Male Pin Terminal | |
| 00116 | 77 |
| Male Tab Terminal | |
| 00177 | 15, 17, 53 |
| Mechanical Counter Kit Assembly | |
| 201280P | 7 |
| Meter Case Assembly | |
| 38724Q | 9 |
| 38724W | 9 |
| 802505W | 9 |
| 803063DG | 9 |
| Meter Case Assembly Kit | |
| 803063WP | 9 |
| 803575DG | 7 |
| 803575WP | 7 |
| Meter Case Bracket Gasket | |
| 35526 | 7, 9 |
| Meter Case Gasket | |
| 26354 | 7, 9 |
| Meter Case Kit | |
| 201010QP | 7 |
| 201010WP | 7 |
| Meter Case Lockdown Bracket | |
| 35525 | 7, 9 |
| Meter Case Locking Bracket | |
| 204616 | 7, 9 |

| | |
|--------------------------------------|------------|
| Meter Case Mounting Bracket Assembly | |
| 35867 | 71 |
| Mixing Valve | |
| 202395P | 47 |
| 202396P | 47 |
| 203145P | 47 |
| Mixing Valve Plug | |
| 34675 | 73 |
| 34676 | 73 |
| Mixing Valve Screen | |
| 24122 | 47 |
| Mixing Valve Shield | |
| 202899 | 47 |
| Mixing Valve-to-Tub Cover Hose | |
| 202472 | 47 |
| Motor Assembly | |
| 202457 | 55 |
| 35030P | 55 |
| Motor Kit | |
| 201433P | 53, 55 |
| 38034P | 55 |
| 38035P | 55 |
| 835P3 | 51, 53, 55 |
| Motor Mount | |
| 38395 | 51, 53, 55 |
| Motor Mount Bracket | |
| 200941 | 51, 53, 55 |
| Motor Shield | |
| 34754 | 51, 53, 55 |
| 35886 | 53 |
| Motor Side Shield | |
| 36965 | 51 |
| Mounting Tool Kit | |
| CK096 | 79 |

N

| | |
|-------------------------------|----------------------------|
| Network Controller Kit | |
| NK220 | 29, 31, 35 |
| Network Retrofit Kit | |
| NK201 | 29, 31, 35 |
| Network Wire Harness Assembly | |
| 44088501P | 37 |
| Nut | |
| M400981 | 45 |
| 03673 | 75 |
| 201216 | 13 |
| 21899 | 71 |
| 22001 | 43 |
| 24205 | 15, 17, 19, 21, 23 |
| 27222 | 41, 43 |
| 28803 | 51, 53, 55, 57 |
| 29220 | 59 |
| 29786 | 7, 9 |
| 29796 | 7 |
| 30647 | 7, 9 |
| 35423 | 55 |
| 36020 | 41, 43 |
| 44087101 | 19, 21, 23, 25, 27, 29, 31 |
| 52566 | 51, 53, 55 |
| 52947 | 23 |
| 685846 | 51, 53 |
| 802337 | 7, 9 |
| 802343 | 17 |

O

| | |
|-----------------------------|------------|
| Operation Instruction Label | |
| 203152 | 9 |
| 37068 | 7 |
| Options Label | |
| 202828 | 29 |
| 202829 | 29, 31, 35 |
| Opto Coupler | |
| 200674P | 9 |
| Outer Tub Assembly | |
| 203603P | 61 |
| 203604P | 61 |
| Output Shaft | |
| 36570P | 65 |
| Overlay | |
| 200918 | 25, 27 |
| 200919 | 25, 27 |
| 201091 | 13 |
| 202098 | 25, 27 |
| 202174 | 25 |
| 202310 | 25, 33 |
| 202832 | 33 |
| 203526 | 25, 27 |
| Overlay Kit | |
| 38676 | 9 |

P

| | |
|--------------------------|--------------------------------|
| Paint | |
| 806436P | 71 |
| Panel Clip | |
| M406494 | 15, 17 |
| Panel Locator | |
| 28102 | 71 |
| 56079 | 71 |
| Pinch Warning Label | |
| F8615701 | 61 |
| Plug, 1 Circuit | |
| 26302 | 77 |
| Plug, 10 Circuit | |
| 34677 | 73 |
| Plug, 6 Circuit | |
| 23041 | 77 |
| Plug, 9 Circuit | |
| 23033 | 77 |
| Porcelain Touch-Up Paint | |
| 122P4P | 71 |
| 370P4P | 71 |
| Power Cord Assembly | |
| 204061 | 75 |
| 39925 | 23, 75 |
| 39931 | 17, 21, 27, 31, 75 |
| 39984 | 21, 75 |
| Pressure Bulb | |
| 30907 | 63 |
| Pressure Switch | |
| 202655 | 15, 17, 19, 21, 23, 25, 27, 33 |
| 803637 | 29, 31, 35 |
| 803638P | 29, 31, 35, 37 |
| Pressure Switch Bracket | |
| 201789 | 29, 31, 35, 37 |

N/A items do not appear in index.

| | |
|--------------------------|------------|
| Pulley | |
| 202795 | 69 |
| Pump | |
| 201566P | 51, 53, 55 |
| Pump Assembly | |
| 201442P | 51, 53, 55 |
| Pump-to-Drain Elbow Hose | |
| 38273 | 67 |
| Push-On Clip | |
| 34762 | 23 |

R

| | |
|------------------------|------------------------------------|
| Rack | |
| 201664 | 65 |
| Ratchet Extension Tool | |
| 310P4 | 79 |
| Rear Panel | |
| 201732 | 15 |
| 203072 | 17 |
| 203074 | 21, 27, 31 |
| 210143 | 33, 35, 37 |
| Receptacle, 1 Circuit | |
| 26301 | 77 |
| Receptacle, 6 Circuit | |
| 26708 | 77 |
| Receptacle, 9 Circuit | |
| 26163 | 77 |
| Reduction Gear | |
| 37404P | 65 |
| Resistor | |
| 210100 | 15, 17, 21, 23, 25, 27, 29, 31, 35 |
| Retaining Ring | |
| 23748 | 51, 53, 55, 57 |
| 27197 | 65 |
| Ring Terminal | |
| 00110 | 77 |
| Rocker Switch | |
| 70455101 | 15, 17 |
| Rubber Foot | |
| 34318 | 71 |

S

| | |
|---------------|--|
| Screw | |
| D500226 | 19, 21, 23 |
| D501086 | 15, 17, 19, 21, 25, 27, 29, 31, 33, 35, 37 |
| D501524 | 7, 15, 17, 25, 27, 29, 31, 33, 35, 37, 71 |
| D503661 | 15, 17, 19, 21, 23, 25, 27, 29, 31, 33, 35, 37 |
| D503673 | 7, 9, 39, 43 |
| D503688 | 7 |
| M402574 | 45 |
| 02916 | 19, 21, 23, 25, 27, 29, 31 |
| 201415 | 43 |
| 201773 | 65 |
| 202623 | 43 |
| 20267 | 75 |
| 20530 | 53 |
| 23008 | 41, 43 |
| 23222 | 19, 21, 23, 25, 27, 29, 31 |
| 23962 | 15, 17, 19, 21, 23, 25, 27, 29, 31, 33, 35, 37, 41, 45 |

| | |
|-----------------------|------------------------------------|
| 27196 | 71 |
| 27202 | 59 |
| 27220 | 69 |
| 27229 | 51, 53, 55, 57 |
| 29273 | 65 |
| 32814 | 65 |
| 33562 | 47 |
| 34337 | 39, 43 |
| 35148 | 71 |
| 35369 | 51, 53, 55, 61 |
| 35528 | 19, 21, 23, 25, 29, 31 |
| 36048 | 7, 9 |
| 36639 | 51, 53, 55 |
| 39397 | 47 |
| 39432 | 59 |
| 39566 | 61 |
| 39733 | 71 |
| 39739 | 69 |
| 431287 | 41, 43, 71 |
| 52864 | 15, 17, 25, 27, 29, 31, 33, 35, 37 |
| 52909 | 39, 43, 51, 53, 55, 67, 71 |
| 685837 | 17 |
| Sealant | |
| 200996P | 59, 61 |
| Service Cabinet Kit | |
| 38612DG | 71 |
| 38612QP | 71 |
| 38612WP | 71 |
| Service Door Assembly | |
| 39874DG | 7, 9 |
| 39874QP | 7, 9 |
| 39874WP | 7, 9 |
| Shipping Brace | |
| 200552 | 79 |
| Shipping Plug | |
| 38149 | 79 |
| Shock Warning Label | |
| D511021 | 17, 21, 31 |
| Silicone Grease | |
| 26594P | 69 |
| Single Overlay | |
| 38717 | 9 |
| Siphon Break Kit | |
| 562P3 | 67 |
| Slide | |
| CK027 | 7 |
| 26493 | 65 |
| Splash Shield | |
| 202695P | 61 |
| Spline Insert | |
| 29728 | 59 |
| Spring | |
| 804794 | 7 |
| Spring Clip | |
| 210202 | 51, 53, 55 |
| Spring Hook Tool | |
| 321P4 | 81 |
| Strain Relief | |
| 38384 | 41 |
| Support Barrel | |
| 56534 | 41, 43 |
| Switch | |
| D512973 | 9 |
| 27761 | 15, 17, 19, 21 |
| 33445 | 45 |
| 37830 | 45 |

N/A items do not appear in index.

| | |
|-----------------------|--------------------|
| 431159 | 7 |
| Switch Assembly | |
| 39256 | 45 |
| 55882 | 23 |
| Switch Knob | |
| 39897 | 15, 17, 19, 21, 23 |
| Switch Mounting Plate | |
| 29676 | 43 |

T

| | |
|-----------------------------|--------------------------------|
| Terminal Extractor Tool | |
| 283P4 | 73 |
| Tool Kit | |
| 725P3 | 81 |
| Top | |
| 203579DG | 41 |
| 39167QP | 41 |
| 39167WP | 41 |
| Top Assembly | |
| 210173WP | 41 |
| 39184WP | 43 |
| 39339W | 41 |
| Top Shield | |
| 202932 | 41 |
| 202977 | 41 |
| 39744 | 41, 43 |
| Torx Bit | |
| 281P4 | 81 |
| 282P4 | 81 |
| Transformer | |
| 201375P | 13, 25, 27, 29, 31, 33, 35, 37 |
| 201587P | 15, 19 |
| 201616P | 15, 17, 21, 23 |
| 210018P | 25, 29 |
| 803527P | 25, 27, 29, 31, 35 |
| Transmission Assembly | |
| 38165P | 65 |
| Transmission Case Assembly | |
| 33223P | 65 |
| Transmission Cover Assembly | |
| 37471 | 65 |
| Transmission Oil | |
| 27243P | 65 |
| Transmission Pin Tool | |
| 305P4 | 79 |
| Transmission Rebuild Kit | |
| RB150004 | 65 |
| Transmission Sealant | |
| 37577P | 65 |
| Tub Assembly | |
| 39252P | 59 |
| 39387P | 59 |
| Tub Cover Assembly | |
| 202461 | 61 |
| 203154 | 61 |
| Tub Cover Gasket | |
| 38359 | 61 |
| Tub Cover Removal Tool | |
| 273P4 | 81 |
| Tub Kit | |
| 39250P | 59 |

| | |
|------------------|----|
| Tube | |
| 202333 | 53 |
| Tubing | |
| 202699 | 63 |
| 202700 | 63 |
| 203296 | 63 |
| Tub-to-Pump Hose | |
| 38351 | 67 |

U

| | |
|-----------------|----------------|
| USB Gateway Kit | |
| NK330 | 29, 31, 35, 37 |

W

| | |
|-------------------------------|----------------------------|
| Warning Label | |
| D500049 | 61 |
| D500314 | 61 |
| D500316 | 33, 35, 39 |
| Washer | |
| D504082 | 51, 53, 55, 57 |
| F430339 | 23 |
| M400017 | 19, 21, 23, 25, 27, 29, 31 |
| 02431 | 19, 21, 23, 25, 27, 29, 31 |
| 200608 | 25, 27, 29, 31, 33, 35, 37 |
| 20290 | 49 |
| 203950 | 69 |
| 21735 | 75 |
| 26509 | 65, 69 |
| 27015 | 69 |
| 28094 | 59 |
| 29260 | 65 |
| 35092 | 65 |
| 35535 | 69 |
| 37772 | 51, 53, 55 |
| 39249 | 41, 43, 61 |
| 52549 | 51, 53, 55, 57 |
| 802254 | 49 |
| 803615 | 49 |
| 81392 | 51, 53, 55, 57 |
| 91176 | 15, 17, 19, 21, 23 |
| Washtub Gasket | |
| 39122 | 59 |
| Washtub Kit | |
| 719P3 | 59 |
| Water Hose | |
| F200116 | 49 |
| Weldment and Bearing Assembly | |
| 39253 | 69 |
| 39254 | 69 |
| Wire Clip | |
| D504034 | 77 |
| 51291 | 77 |
| 70366201 | 77, 83, 85 |
| Wire Guard | |
| 201595P | 9 |
| Wire Harness Assembly | |
| 202229P | 85 |
| 202375 | 85 |
| 202667 | 85 |
| 202671 | 85 |
| 202721 | 85 |
| 202838 | 85 |

N/A items do not appear in index.

| | |
|-------------------------------|------------|
| 38661P..... | 83, 85 |
| Wireless Network Kit | |
| NK301 | 29, 31, 35 |
| Wireless Transceiver Assembly | |
| 202335 | 37 |
| Wire, 12 Gauge | |
| 45380 | 83, 85 |
| Wire, 18 Gauge | |
| 45001 | 83, 85 |
