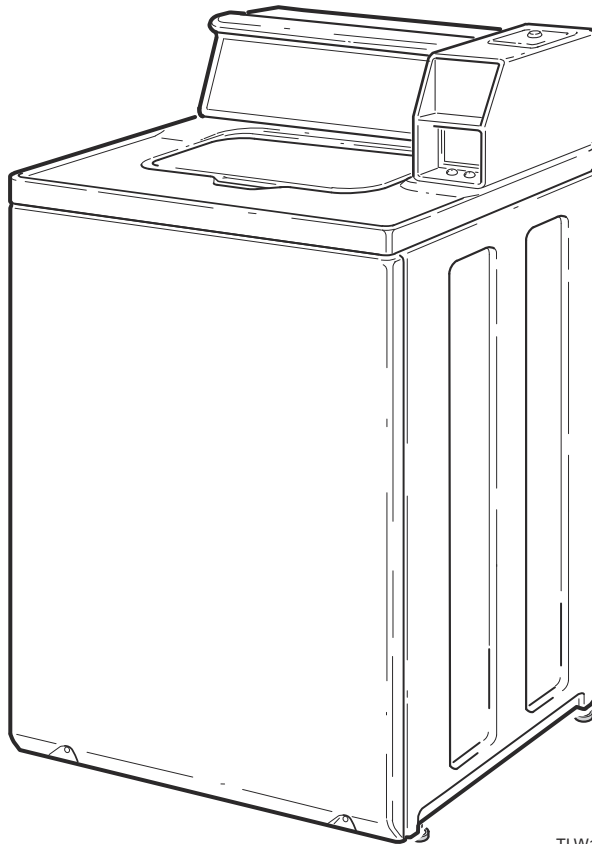


Commercial Topload Washers

Metered and Nonmetered
Refer to Page 5 for Model Numbers



TLW13C_202731

Table of Contents

Title	Page
Parts Ordering Information.....	3
Serial Plate Location	3
Model Identification	5
Coin Slide Extension, Meter Case and Control.....	6
Meter Case	8
Non-Electronic Coin Drop	10
Electronic Coin Drop	12
Control Panel, Control Hood and Controls (Drawing 1 of 12)	14
Control Panel, Control Hood and Controls (Drawing 2 of 12)	16
Control Panel, Control Hood and Controls (Drawing 3 of 12)	18
Control Panel, Control Hood and Controls (Drawing 4 of 12)	20
Control Panel, Control Hood and Controls (Drawing 5 of 12)	22
Control Panel, Control Hood and Controls (Drawing 6 of 12)	24
Control Panel, Control Hood and Controls (Drawing 7 of 12)	26
Control Panel, Control Hood and Controls (Drawing 8 of 12)	28
Control Panel, Control Hood and Controls (Drawing 9 of 12)	30
Control Panel, Control Hood and Controls (Drawing 10 of 12)	32
Control Panel, Control Hood and Controls (Drawing 11 of 12)	34
Control Panel, Control Hood and Controls (Drawing 12 of 12)	36
Control Hood Security Kit.....	38
Lid	40
Cabinet Top	42
Lid, Lid Lock and Cabinet Top	44
Lid Switch.....	46
Mixing Valve-to-Tub Cover Hose and Mixing Valve.....	48
Fill Hose	50
Motor, Belt, Pump and Idler Assembly (Drawing 1 of 3)	52
Motor, Belt, Pump and Idler Assembly (Drawing 2 of 3)	54
Motor, Belt, Pump and Idler Assembly (Drawing 3 of 3)	56
Idler Lever Kits	58
Agitator, Drive Bell, Hub and Lip Seal Kit and Washtub	60
Outer Tub, Cover, Bearing and Seal Housing and Counterweight	62
Pressure Hose and Bulb	64
Transmission Assembly	66
Drain Hoses and Siphon Break Kit	68
Weldment and Bearing Assembly, Brake and Pulley.....	70
Front Panel, Base Assembly and Cabinet Kit.....	72
Mixing Valve and Motor Disconnect Blocks, Terminals and Terminal Extractor Tool.....	74
Lead-In Cord	76
Terminals	78
Shipping Materials and Special Tools.....	80

© Copyright 2017, Alliance Laundry Systems LLC

All rights reserved. No part of the contents of this book may be reproduced or transmitted in any form or by any means without the expressed written consent of the publisher.

Special Tools	82
Wire Harnesses and Wires (Drawing 1 of 2).....	84
Wire Harnesses and Wires (Drawing 2 of 2).....	86
Parts Index.....	89

Parts Ordering Information

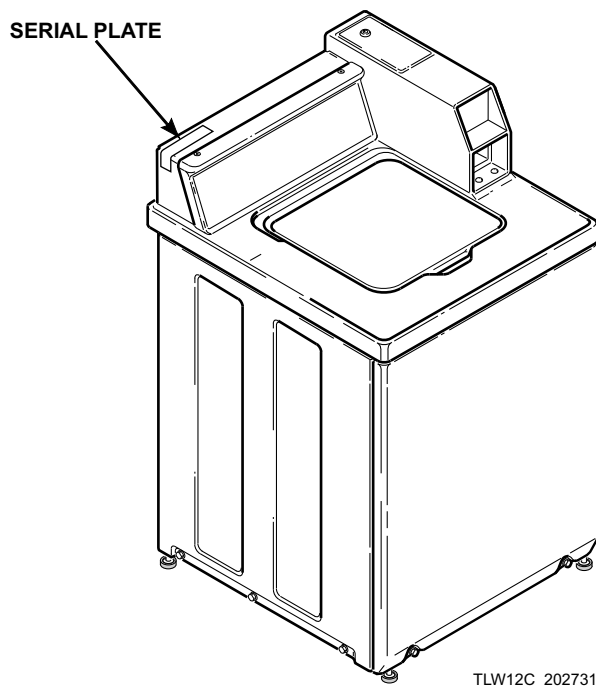
If literature or replacement parts are required, contact the source from whom the machine was purchased or contact Alliance Laundry Systems at (920) 748-3950 for the name and address of the nearest authorized parts distributor.

For technical assistance, call the number listed below:

(920) 748-3121 Ripon, Wisconsin

Serial Plate Location

When calling or writing about your product, be sure to mention model and serial numbers. Model and serial numbers are located on serial plate(s) as shown.



TLW12C_202731

Notes

Lined area for notes.

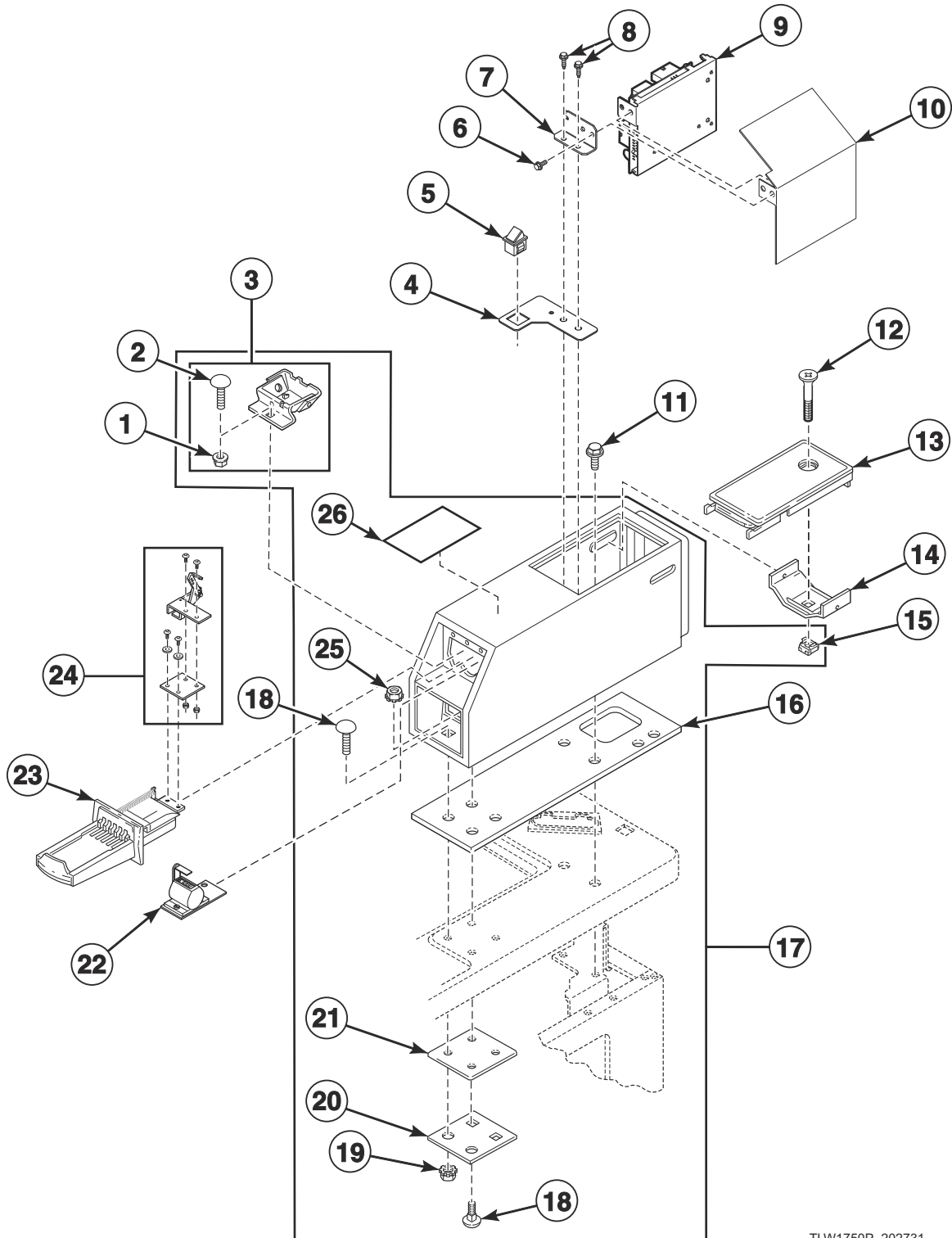
Model Identification

Information in this manual is applicable to these washer models:

BWNBC2PP112TW01	NWNBX2SP302NW22	SWNLY2AP112TW01
BWNBX2PP112TW01	NWNMN1SP542NW22	SWNLY2HP112TW01
BWNBX2PP302AW01	NWNMN2SP302NW22	SWNLY2PP112TW01
BWNBX2PP112TW01	NWNSX2SP302NW22	SWNLY2SP112TW01
BWNMN2PP112CW01	PWNBC2PP112TG02	SWNLY2SP302NW22
BWNMN2PP302AW01	PWNBX2PP112TG02	SWNLMN1SP302AW01
BWNSX2PP112CW01	PWNBX2PP302AG02	SWNLMN1SP302NW22
GWNMN1PP302AW01	PWNSX2PP112TG02	SWNLMN1SP302SW01
GWNMN2PP302AW01	SWNBC2PP112TQ01	SWNLMN2PP112TW01
GWNMN2PP302NW01	SWNBC2PP112TW01	SWNLMN2SP112CW01
GWNMN2PP112TW01	SWNBC2PP112TW02	SWNLMN2SP112TW01
GWNSX1PP302AW01	SWNBC2SP112TQ01	SWNLMN2SP112TW08
GWNSX1PP302EW09	SWNBC2SP112TW01	SWNSX1PP112TQ01
GWNSX2PP112TW01	SWNBX1SP122DW01	SWNSX1PP112TW01
GWNSX2PP302AW01	SWNBX1SP542DW01	SWNSX1PP302AW01
GWNSX2PP302NW01	SWNBX2PP112TW02	SWNSX1SP112TQ01
HWNBC2PP112TQ01	SWNBX2SP082JW01	SWNSX1SP112TW01
HWNBC2PP112TW01	SWNBX2SP112FW27	SWNSX1SP302AW01
HWNBD2SP112CQ01	SWNBX2SP112TQ01	SWNSX1SP302BW01
HWNBD2SP112CW01	SWNBX2SP112TW01	SWNSX1SP302EW09
HWNBE2SP112CW01	SWNBX2SP302AW01	SWNSX1SP302NW22
HWNBX1SP122DW01	SWNBX2SP302NQ22	SWNSX1SP302SQ01
HWNBX1SP542DW01	SWNBX2SP302NW22	SWNSX1SP302SW01
HWNBX2SP112CW01	SWNBY2PP112TW01	SWNSX1SP302UW01
HWNBX2SP112FW28	SWNBY2SP112TW01	SWNSX1SP542NW22
HWNBX2PP112TW01	SWNLC2AP112TW01	SWNSX2PP112TQ01
HWNBX2SP112CW01	SWNLC2AP112TW02	SWNSX2PP112TW01
HWNLE2AP112CW01	SWNLC2HP112TQ01	SWNSX2PP112TW02
HWNLE2HP112CW01	SWNLC2HP112TW01	SWNSX2SP112CW02
HWNLE2SP112CW01	SWNLC2HP112TW02	SWNSX2SP112TQ01
HWNLX1SP122DW01	SWNLC2PP112TW01	SWNSX2SP112TW01
HWNLX1SP542DW01	SWNLC2PP112TW02	SWNSX2SP112TW02
HWNLX2HP112CW01	SWNLC2SP112TQ01	SWNLY2AP112TW11
HWNLX2SP112CW01	SWNLC2SP112TW01	SWNLY2HP112TW11
HWNLY2HP112CW01	SWNLC2SP112TW02	TWNBX2SP302NW22
HWNLY2SP112CW01	SWNLX1SP122DW01	UWNLMN2SP112CW01
HWNLMN2PP112TW01	SWNLX1SP542DW01	
HWNLMN2SP112CW01	SWNLX1SP542NW23	
HWNSX1PP112TQ01	SWNLX2AP112TW02	
HWNSX1PP112TW01	SWNLX2HP112TW01	
HWNSX1SP112CW01	SWNLX2HP112TW02	
HWNSX1SP302UW09	SWNLX2PP112TW02	
HWNSX2PP112TQ01	SWNLX2SP112TW01	
HWNSX2PP112TW01	SWNLX2SP112TW02	
HWNSX2SP112CW01		

Coin Slide Extension, Meter Case and Control

Models BWNSX2PP112CW01, GWNSX1PP302AW01, GWNSX1PP302EW09, GWNSX2PP112TW01, GWNSX2PP302AW01, GWNSX2PP302NW01, HWNSX1PP112TQ01, HWNSX1PP112TW01, HWNSX1SP112CW01, HWNSX1SP302UW09, HWNSX2PP112TQ01, HWNSX2PP112TW01, HWNSX2SP112CW01, NWNSX2SP302NW22, PWNSX2PP112TG02, SWNSX1PP112TQ01, SWNSX1PP112TW01, SWNSX1PP302AW01, SWNSX1SP112TQ01, SWNSX1SP112TW01, SWNSX1SP302AW01, SWNSX1SP302BW01, SWNSX1SP302EW09, SWNSX1SP302NW22, SWNSX1SP302SQ01, SWNSX1SP302SW01, SWNSX1SP302UW01, SWNSX1SP542NW22, SWNSX2PP112TQ01, SWNSX2PP112TW01, SWNSX2PP112TW02, SWNSX2SP112CW02, SWNSX2SP112TQ01, SWNSX2SP112TW01 and SWNSX2SP112TW02



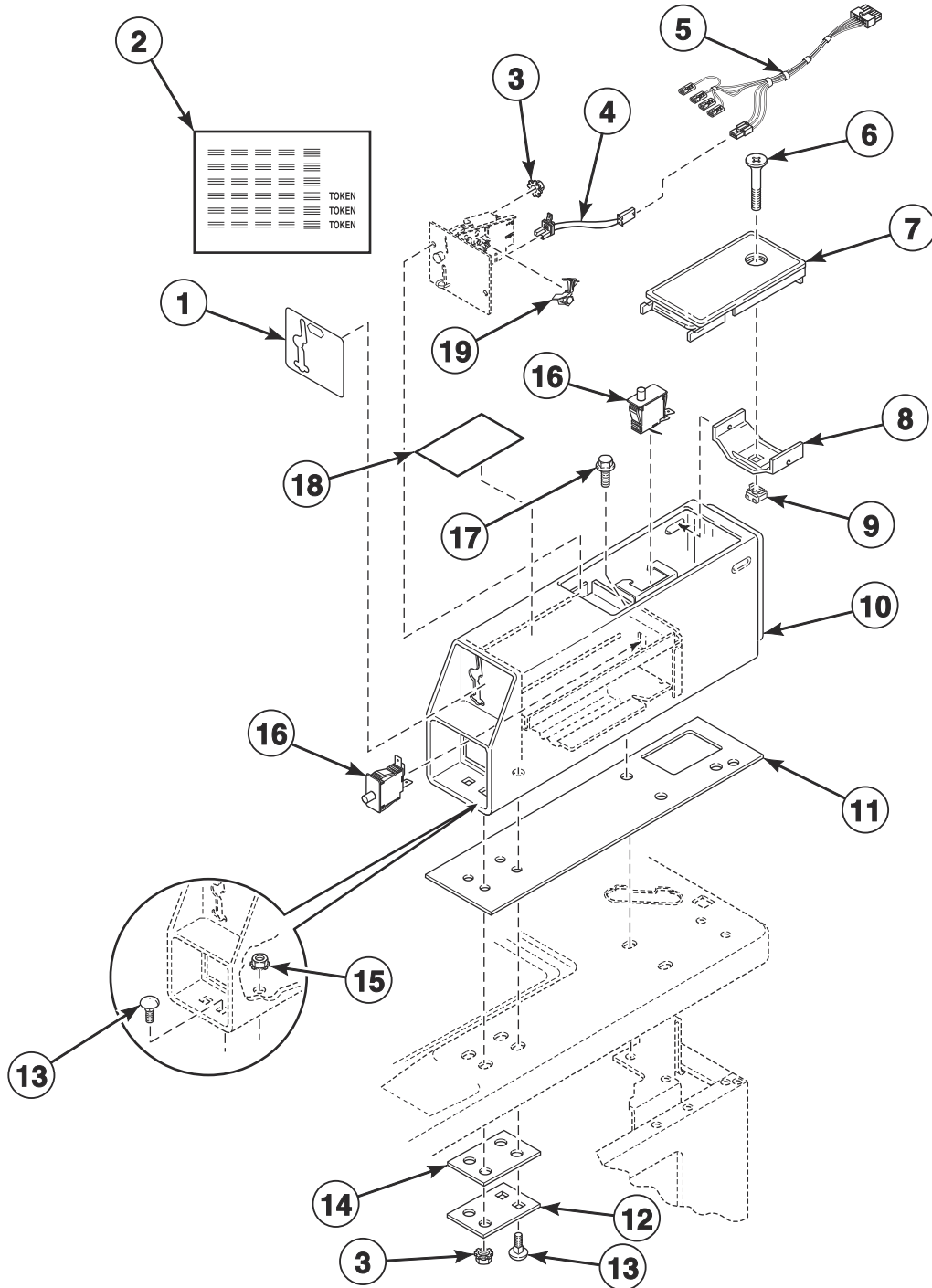
TLW1750P_202731

Coin Slide Extension, Meter Case and Control

REF	PART NO.	DESCRIPTION	COMMENTS
1	29796	Nut	
2	29651	Bolt	
3	523P3	Coin Funnel Kit	
4	803662	Bracket	
5	431159	Switch	
6	D501524	Screw	
7	201581	Chassis Mounting Bracket	
8	D503688	Screw	
9	202393P	Control Assembly	
10	D512304	Control Shield	
11	36048	Screw	
12	D503673	Screw	
13	39874QP	Service Door Assembly	Bisque; Models HWNSX1PP112TQ01, HWNSX2PP112TQ01, SWNSX1PP112TQ01, SWNSX1SP112TQ01, SWNSX1SP302SQ01, SWNSX2PP112TQ01 and SWNSX2SP112TQ01
	39874DG	Service Door Assembly	Gray; Model PWNSX2PP112TG02
	39874WP	Service Door Assembly	White; All other models
14	30642	Meter Case Locking Bracket	
15	30647	Nut	
16	26354	Meter Case Gasket	
17	803575WP	Meter Case Assembly Kit	White; Models SWNSX2PP112TW02, SWNSX2SP112CW02 and SWNSX2SP112TW02
	803575DG	Meter Case Assembly Kit	Gray; Model PWNSX2PP112TG02
	803578P	Coin Box Extension Kit	Use with 803575W or 803575DG Meter Case Assembly to extend shorter 7-inch coin boxes; Models PWNSX2PP112TG02, SWNSX2PP112TW02, SWNSX2SP112CW02 and SWNSX2SP112TW02
	201010QP	Meter Case Kit	Bisque; Includes items 3, 15, 16, 18-21 and 24; Models HWNSX1PP112TQ01, HWNSX2PP112TQ01, SWNSX1PP112TQ01, SWNSX1SP112TQ01, SWNSX1SP302SQ01, SWNSX2PP112TQ01 and SWNSX2SP112TQ01
	201010WP	Meter Case Kit	White; Includes items 3, 15, 16, 18-21 and 24; All other models
18	02505	Bolt	
19	29786	Nut	
20	35525	Meter Case Lockdown Bracket	
21	35526	Meter Case Bracket Gasket	
22	201280P	Mechanical Counter Kit Assembly	
23	CK001	Coin Slide Kit	U.S.A.
	CK009	Coin Slide Kit	STD-118-1 Token
	CK010P	Coin Slide Kit	STD-118-5 Token
	CK011	Coin Slide Kit	STD-118-10 Token
	CK014	Coin Slide Kit	U.S.A.
	CK017	Coin Slide Kit	Chilly Willy Token
	CK027	Slide	Tokette
24	200913	Coin Slide Extension Kit	Includes spring and items 4 and 5
	804794	Spring	
25	802337	Nut	
26	37068	Operation Instruction Label	Models GWNSX1PP302EW09, HWNSX1SP302UW09, SWNSX1SP302EW09 and SWNSX1SP302UW01

Meter Case

Models BWNBC2PP112TW01, BWNBX2PP112TW01, BWNBX2PP302AW01, HWNBC2PP112TQ01, HWNBC2PP112TW01, HWNBD2SP112CQ01, HWNBD2SP112CW01, HWNBE2SP112CW01, HWNBX1SP122DW01, HWNBX1SP542DW01, HWNBX2SP112CW01, HWNBX2SP112FW28, HWNLE2AP112CW01, HWNLE2HP112CW01, HWNLE2SP112CW01, HWNLX1SP122DW01, HWNLX1SP542DW01, HWNLX2HP112CW01, HWNLX2SP112CW01, NWNBX2SP302NW22, PWNBC2PP112TG02, PWNBX2PP112TG02, PWNBX2PP302AG02, SWNBC2PP112TQ01, SWNBC2PP112TW01, SWNBC2PP112TW02, SWNBC2SP112TQ01, SWNBC2SP112TW01, SWNBX1SP122DW01, SWNBX1SP542DW01, SWNBX2PP112TW02, SWNBX2SP082JW01, SWNBX2SP112FW27, SWNBX2SP112TQ01, SWNBX2SP112TW01, SWNBX2SP302AW01, SWNBX2SP302NQ22, SWNBX2SP302NW22, SWNLC2AP112TW01, SWNLC2AP112TW02, SWNLC2HP112TQ01, SWNLC2HP112TW01, SWNLC2HP112TW02, SWNLC2PP112TW01, SWNLC2PP112TW02, SWNLC2SP112TQ01, SWNLC2SP112TW01, SWNLC2SP112TW02, SWNLX1SP122DW01, SWNLX1SP542DW01, SWNLX1SP542NW23, SWNLX2AP112TW02, SWNLX2HP112TW01, SWNLX2HP112TW02, SWNLX2PP112TW02, SWNLX2SP112TW01, SWNLX2SP112TW02, SWNLX2SP302AW01 and TWNBX2SP302NW22



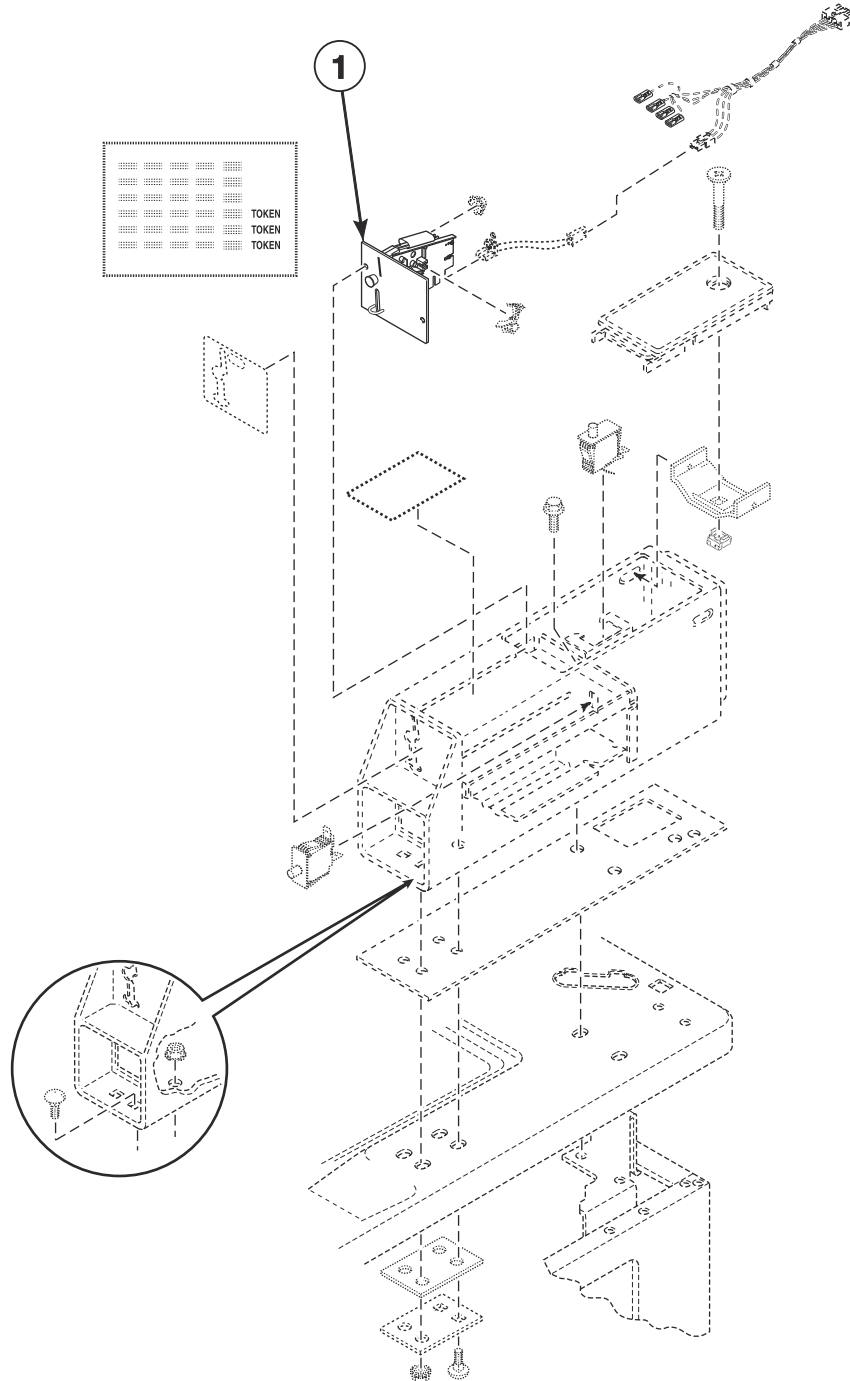
TLW1741P_202731

Meter Case

REF	PART NO.	DESCRIPTION	COMMENTS
1	38717	Single Overlay	\$.25
	38676	Overlay Kit	Dual; Includes item 2
	39073	Dual Overlay	\$.25 and \$1.00
2	38725	Coin Identification Paper	
3	29786	Nut	
4	200674P	Opto Coupler	
5	802904P	Harness Assembly	Models BWNBX2PP112TW01, HWNBC2PP112TQ01, HWNBC2PP112TW01, PWNBC2PP112TG02, SWNBC2PP112TQ01, SWNBC2PP112TW01, SWNBC2PP112TW02, SWNBC2SP112TQ01, SWNBC2SP112TW01, SWNLC2AP112TW01, SWNLC2AP112TW02, SWNLC2HP112TQ01, SWNLC2HP112TW01, SWNLC2HP112TW02, SWNLC2PP112TW01, SWNLC2PP112TW02, SWNLC2SP112TQ01, SWNLC2SP112TW01 and SWNLC2SP112TW02
	802905	Harness Assembly	All other models
6	D503673	Screw	
7	39874WP	Service Door Assembly	White
	39874QP	Service Door Assembly	Bisque
	39874DG	Service Door Assembly	Dark gray
8	30642	Meter Case Locking Bracket	
9	30647	Nut	
10	803063WP	Meter Case Assembly Kit	Models SWNBC2PP112TW02, SWNBX2PP112TW02, SWNLC2AP112TW02, SWNLC2HP112TW02, SWNLC2PP112TW02, SWNLC2SP112TW02, SWNLX2AP112TW02, SWNLX2HP112TW02, SWNLX2PP112TW02 and SWNLX2SP112TW02
	803063DG	Meter Case Assembly	Models PWNBC2PP112TG02, PWNBX2PP112TG02 and PWNBX2PP302AG02
	803578P	Coin Box Extension Kit	Use with 803063W Meter Case Assembly to extend shorter 7 inch coin boxes; Models PWNBC2PP112TG02, PWNBX2PP112TG02, PWNBX2PP302AG02, SWNBC2PP112TW02, SWNBX2PP112TW02, SWNLC2PP112TW02, SWNLC2SP112TW02, SWNLX2PP112TW02 and SWNLX2SP112TW02
	802505W	Meter Case Assembly	Models HWNBE2SP112CW01, HWNLE2AP112CW01, HWNLE2HP112CW01, HWNLE2SP112CW01, SWNLC2AP112TW02, SWNLC2HP112TW02, SWNLX2AP112TW02 and SWNLX2HP112TW02
	38724W	Meter Case Assembly	White; All other models
	38724Q	Meter Case Assembly	Bisque; All other models
11	26354	Meter Case Gasket	
12	35525	Meter Case Lockdown Bracket	
13	02505	Bolt	
14	35526	Meter Case Bracket Gasket	
15	802337	Nut	
16	D512973	Switch	
17	36048	Screw	
18	203152	Operation Instruction Label	
19	201595P	Wire Guard	Anti-stringing security device

Non-Electronic Coin Drop

Models BWNBC2PP112TW01, BWNBX2PP112TW01, BWNBX2PP302AW01, HWNBC2PP112TQ01, HWNBC2PP112TW01, HWNBD2SP112CQ01, HWNBD2SP112CW01, HWNBE2SP112CW01, HWNBX1SP122DW01, HWNBX1SP542DW01, HWNBX2SP112CW01, HWNBX2SP112FW28, HWNLE2AP112CW01, HWNLE2HP112CW01, HWNLE2SP112CW01, HWNLX1SP122DW01, HWNLX1SP542DW01, HWNLX2HP112CW01, HWNLX2SP112CW01, NWNBX2SP302NW22, PWNBC2PP112TG02, PWNBX2PP112TG02, PWNBX2PP302AG02, SWNBC2PP112TQ01, SWNBC2PP112TW01, SWNBC2PP112TW02, SWNBC2SP112TQ01, SWNBC2SP112TW01, SWNBX1SP122DW01, SWNBX1SP542DW01, SWNBX2PP112TW02, SWNBX2SP082JW01, SWNBX2SP112FW27, SWNBX2SP112TQ01, SWNBX2SP112TW01, SWNBX2SP302AW01, SWNBX2SP302NQ22, SWNBX2SP302NW22, SWNLC2AP112TW01, SWNLC2AP112TW02, SWNLC2HP112TQ01, SWNLC2HP112TW01, SWNLC2HP112TW02, SWNLC2PP112TW01, SWNLC2PP112TW02, SWNLC2SP112TQ01, SWNLC2SP112TW01, SWNLC2SP112TW02, SWNLX1SP122DW01, SWNLX1SP542DW01, SWNLX1SP542NW23, SWNLX2AP112TW02, SWNLX2HP112TW01, SWNLX2HP112TW02, SWNLX2PP112TW02, SWNLX2SP112TW01, SWNLX2SP112TW02, SWNLX2SP302AW01 and TWNBX2SP302NW22



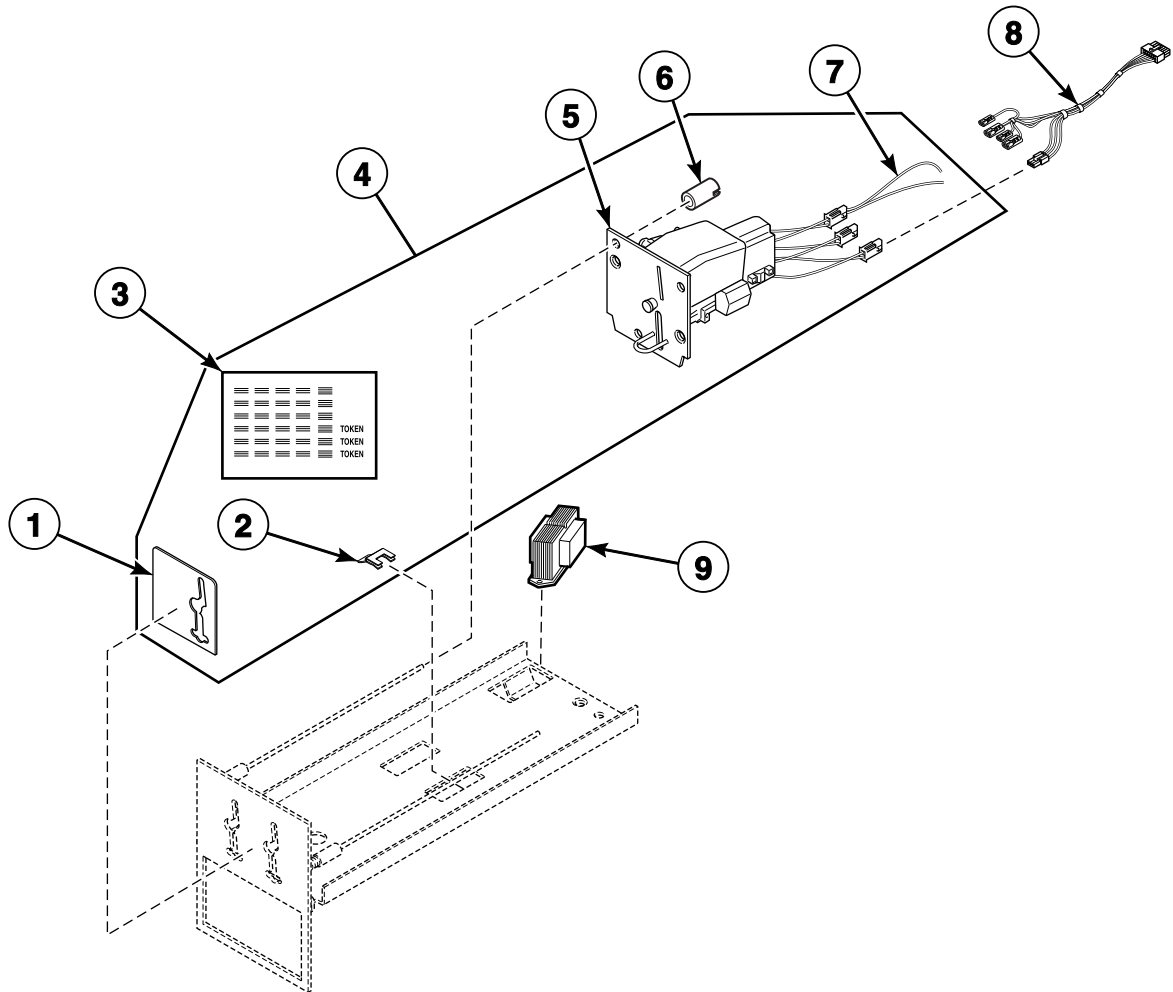
TLW1741PA_202731

Non-Electronic Coin Drop

REF	PART NO.	DESCRIPTION	COMMENTS
1	70441601P	Coin Drop	Single; U.S.A.; \$.25
	200731	Coin Drop	Single; U.S.A.; \$1.00
	70441603	Coin Drop	Dual; U.S.A.; \$.25 and \$1.00
	38467	Coin Drop Assembly	Dual; Australia; \$0.20 and \$1.00
	70447301	Coin Drop Assembly	Dual; Australia; \$1.00 and \$2.00
	38464P	Coin Drop Assembly	Single; Canada; .25
	70441602	Coin Drop Assembly	Dual; Canada; .25 and 1.00
	38472	Coin Drop Assembly	Dual; England; 20 pence and 1 pound
	38519	Coin Drop Assembly	Dual; Japan; 100 yen and 500 yen
	38521	Coin Drop Assembly	Dual; Korea; 100 won and 500 won
	CK114	Coin Drop Assembly	Single; Singapore; Old \$1.00
	CK123	Coin Drop Assembly	Single; Singapore; New \$1.00
	70482401	Coin Drop Assembly	Dual; New Zealand ; \$1.00 and \$2.00
	38462P	Coin Drop Assembly	Single; Token; STD 118-1
	38463	Coin Drop Assembly	Single; Token; STD 118-5
	38963P	Coin Drop	Single; Token STD 118-16
	553192	Coin Drop Assembly	Dual; Danish Crown
	39157	Coin Drop Assembly	Dual; Israel; 1 and 5 Shekel
	38475	Coin Drop Assembly	Single; Japan; 100 yen
	210195	Coin Drop Assembly	Dual; 0.20 and 1.00 Euro
	210196	Coin Drop Assembly	Dual; 0.50 and 1.00 Euro
	70281102	Coin Drop Assembly	Dual; Taiwan; 10 and 50 NT
	70506901	Coin Drop Assembly	Single; Singapore; \$1.00 NEW
	39748	Coin Drop	Single; Jeton 08MS
	201141	Coin Drop Assembly	Single; Token; Jeton wh121
	CK055	Coin Drop Kit	Token STD 118-1
	CK056	Coin Drop Kit	Token STD 118-5
	CK057	Coin Drop Kit	Single; Canada; \$0.25
	CK058	Coin Drop Kit	Dual; Canada; \$0.25 and \$1.00
	CK077	Coin Drop Kit	Single; Taiwan; 10 NT
	CK060	Coin Drop Kit	Dual; Australia; \$0.20 and \$1.00
	CK071	Coin Drop Kit	Dual; Japan; 100 yen and 500 yen
	CK078	Coin Drop Kit	Single; U.S.A.; \$0.25
	CK085	Coin Drop Kit	Single; Token STD 118-16
	CK086	Coin Drop Kit	Dual; Israel; 1 and 5 Shekel
	CK089	Coin Drop Kit	Single; Japan; 100 yen
	CK090	Coin Drop Kit	Single; U.S.A.; \$1.00
	CK091	Coin Drop Kit	Dual; 0.20 and 1.00 Euro
	CK097	Coin Drop Kit	Single; Token; Jeton 08MS
	CK098	Coin Drop Kit	Single; Token; Jeton wh121
	CK107	Coin Drop Kit	Dual; Taiwan; 10 and 50 NT
	CK111	Coin Drop Kit	Dual; Australia; \$1.00 and \$2.00
	CK122	Coin Drop Kit	Dual; New Zealand; \$1.00 and \$2.00

Electronic Coin Drop

Models BWNBC2PP112TW01, BWNBX2PP112TW01, BWNBX2PP302AW01, HWNBC2PP112TQ01, HWNBC2PP112TW01, HWNBD2SP112CQ01, HWNBD2SP112CW01, HWNBE2SP112CW01, HWNBX1SP122DW01, HWNBX1SP542DW01, HWNBX2SP112CW01, HWNBX2SP112FW28, HWNLE2AP112CW01, HWNLE2HP112CW01, HWNLE2SP112CW01, HWNLX1SP122DW01, HWNLX1SP542DW01, HWNLX2HP112CW01, HWNLX2SP112CW01, NWNBX2SP302NW22, PWNBC2PP112TG02, PWNBX2PP112TG02, PWNBX2PP302AG02, SWNBC2PP112TQ01, SWNBC2PP112TW01, SWNBC2PP112TW02, SWNBC2SP112TQ01, SWNBC2SP112TW01, SWNBX1SP122DW01, SWNBX1SP542DW01, SWNBX2PP112TW02, SWNBX2SP082JW01, SWNBX2SP112FW27, SWNBX2SP112TQ01, SWNBX2SP112TW01, SWNBX2SP302AW01, SWNBX2SP302NQ22, SWNBX2SP302NW22, SWNLC2AP112TW01, SWNLC2AP112TW02, SWNLC2HP112TQ01, SWNLC2HP112TW01, SWNLC2HP112TW02, SWNLC2PP112TW01, SWNLC2PP112TW02, SWNLC2SP112TQ01, SWNLC2SP112TW01, SWNLC2SP112TW02, SWNLX1SP122DW01, SWNLX1SP542DW01, SWNLX1SP542NW23, SWNLX2AP112TW02, SWNLX2HP112TW01, SWNLX2HP112TW02, SWNLX2PP112TW02, SWNLX2SP112TW01, SWNLX2SP112TW02, SWNLX2SP302AW01 and TWNBX2SP302NW22



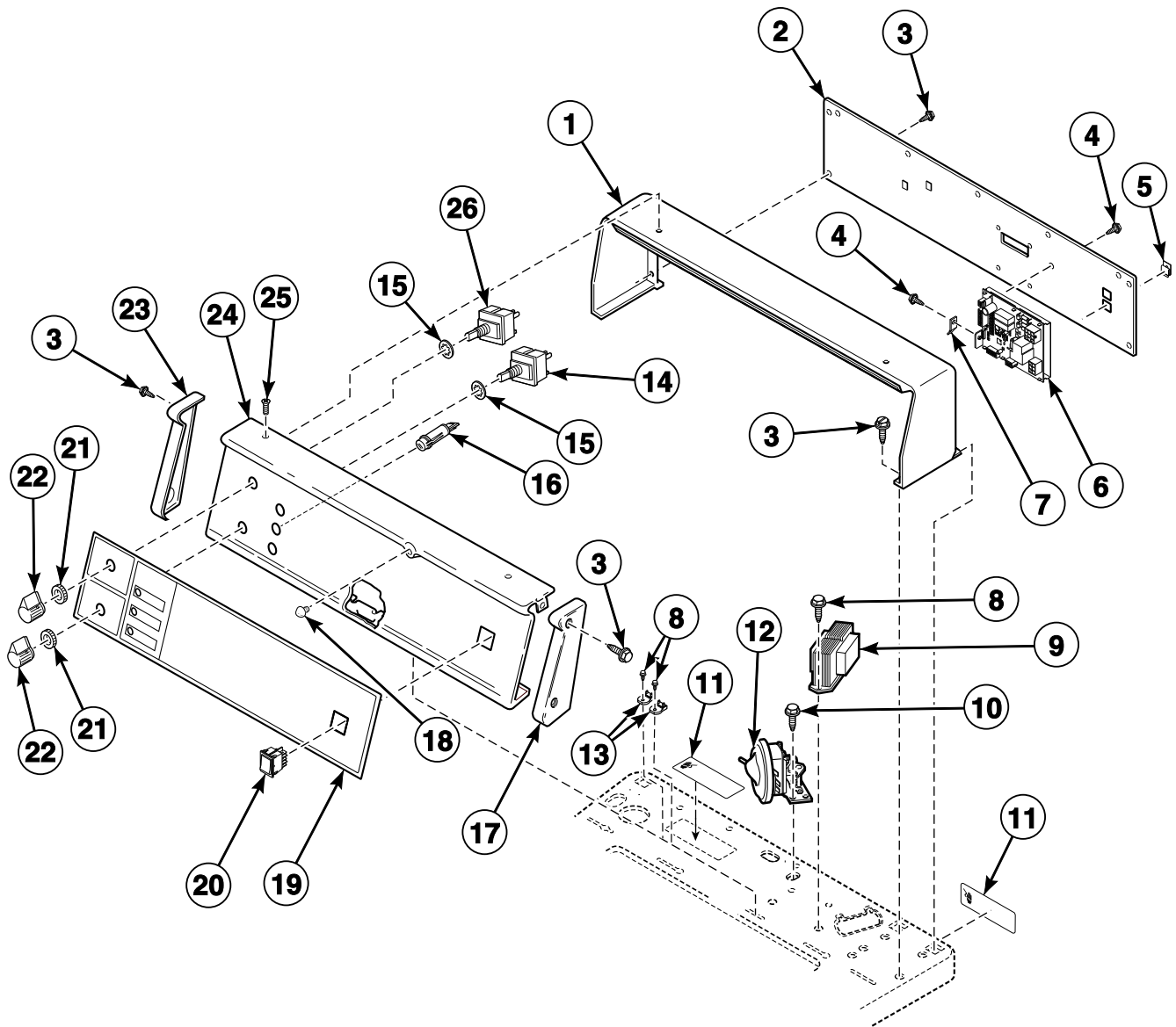
TLW1638P_202731

Electronic Coin Drop

REF	PART NO.	DESCRIPTION	COMMENTS
1	201091	Overlay	
2	201572	Clip	
3	38725	Coin Identification Paper	
4	CK115	Electronic Coin Drop Kit	Includes items 1-3 and 5-7; Models BWNBC2PP112TW01, HWNBC2PP112TQ01, HWNBC2PP112TW01, HWNBD2SP112CQ01, HWNBD2SP112CW01, PWNBC2PP112TG02, SWNBC2PP112TQ01, SWNBC2PP112TW01, SWNBC2PP112TW02, SWNBC2SP112TQ01, SWNBC2SP112TW01, SWNLC2AP112TW01 SWNLC2HP112TQ01, SWNLC2AP112TW02, SWNLC2HP112TW01, SWNLC2HP112TW02, SWNLC2PP112TW01, SWNLC2PP112TW02, SWNLC2SP112TQ01, SWNLC2SP112TW01 and SWNLC2SP112TW02 must also order items 8 and 9
	CK099	Electronic Coin Drop Kit	Includes items 1-3 and 5-7; Australia, New Zealand, Hong Kong and South Korea coins
	CK100	Electronic Coin Drop Kit	Includes items 1-3 and 5-7; Euro and Great Britain coins
	CK101	Electronic Coin Drop Kit	Includes items 1-3 and 5-7; Euro, Denmark and Norway coins
	CK103	Electronic Coin Drop Kit	Includes items 1-3 and 5-7; Euro, Lithuania and Latvia coins
	CK116	Electronic Coin Drop Kit	Includes items 1-3 and 5-7; Malaysia (old and new) and China coins
	CK108	Electronic Coin Drop Kit	Includes items 1-3 and 5-7; South African 1, 2, 5 rand coins
	CK109	Electronic Coin Drop Kit	Includes items 1-3 and 5-7; Euro coins
	CK110	Electronic Coin Drop Kit	Includes items 1-3 and 5-7; Mexico, Ecuador and United States coins
	CK113	Electronic Coin Drop Kit	Includes items 1-3 and 5-7; Japan and Taiwan coins
	CK120	Electronic Coin Drop Kit	Includes items 1-3 and 5-7; Chile coins
	CK121	Electronic Coin Drop Kit	Includes items 1-3 and 5-7; Singapore coins
	CK117	Electronic Coin Drop Kit	Includes items 1-3 and 5-7; Russian coins
	CK118	Electronic Coin Drop Kit	Includes items 1-3 and 5-7; Philippine coins
	CK119	Electronic Coin Drop Kit	Includes items 1-3 and 5-7; Thailand coins
5	70294105P	Electronic Coin Drop Assembly	Australia, New Zealand, Hong Kong and South Korea coins
	70294123	Electronic Coin Drop Assembly	Euro and Great Britain coins
	70294122	Electronic Coin Drop Assembly	Great Britain coins
	70294104	Electronic Coin Drop Assembly	Euro, Denmark and Norway coins
	70294107	Electronic Coin Drop Assembly	Euro, Lithuania and Latvia coins
	70294117	Electronic Coin Drop Assembly	Russia coins
	70294110	Electronic Coin Drop Assembly	South African 1, 2, 5 rand coins
	70294111	Electronic Coin Drop Assembly	Euro coins
	70294106	Electronic Coin Drop Assembly	Mexico, Ecuador and United States coins
	70294120	Electronic Coin Drop Assembly	Chile coins
	70294121	Electronic Coin Drop Assembly	Singapore coins
	70294103P	Electronic Coin Drop Assembly	Euro and Great Britain coins
	70294116	Electronic Coin Drop Assembly	Malaysia (old and new) and China coins
	70294119	Electronic Coin Drop Assembly	Thailand coins
6	201216	Nut	
7	201104	Coin Drop Wire Harness	
8	802905	Harness Assembly	Electronic coin drop requires this harness. If unit is not factory-equipped with this harness, it must be ordered separately.
9	201375P	Transformer	Electronic coin drop requires this transformer. If unit is not factory-equipped with this transformer, it must be ordered separately.

Control Panel, Control Hood and Controls (Drawing 1 of 12)

Models BWNMN2PP112CW01, GWNMN2PP302NW01, GWNMN2PP112TW01, HWNMN2PP112TW01, HWNMN2SP112CW01, NWNMN1SP542NW22, NWNMN2SP302NW22, SWNMN1SP302NW22, SWNMN1SP302SW01, SWNMN2PP112TW01, SWNMN2SP112CW01, SWNMN2SP112TW01, SWNMN2SP112TW08 and UWNMN2SP112CW01



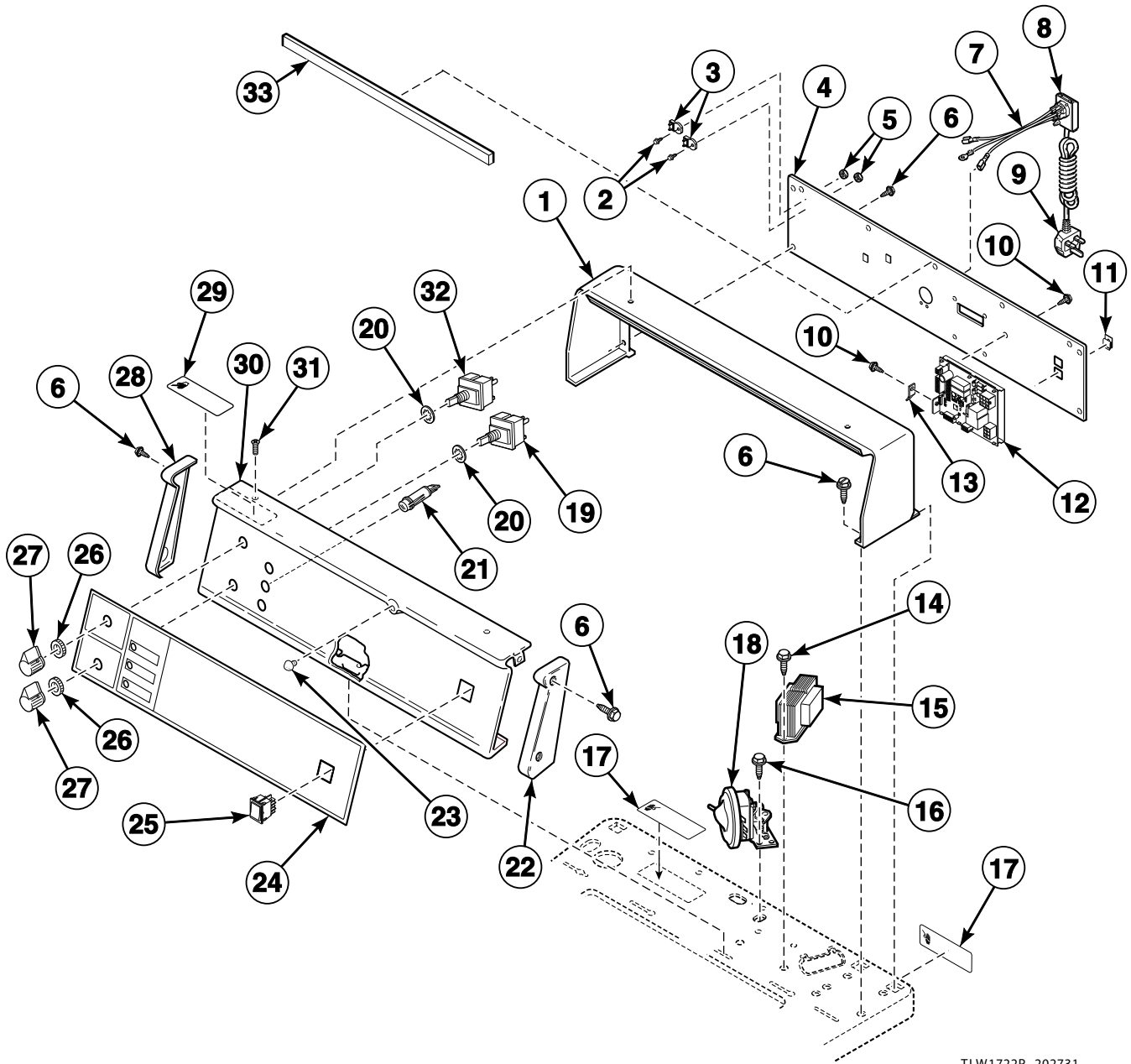
TLW1736P_202731

Control Panel, Control Hood and Controls (Drawing 1 of 12)

REF	PART NO.	DESCRIPTION	COMMENTS
1	210142W	Control Hood	
2	201732	Rear Panel	
3	D501086	Screw	
4	D501524	Screw	
5	M406494	Panel Clip	
6	202393P	Control Assembly	
7	00177	Male Tab Terminal	
8	D503661	Screw	
9	201616P	Transformer	Models GWNMN2PP302NW01, NWNMN1SP542NW22, NWNMN2SP302NW22, SWNMN1SP302NW22 and SWNMN1SP302SW01
	201587P	Transformer	All other models
10	23962	Screw	
11	D505281	Disconnect Power Warning Label	
12	202655	Pressure Switch	
13	210100	Resistor	Models GWNMN2PP302NW01, NWNMN1SP542NW22, NWNMN2SP302NW22, SWNMN1SP302NW22 and SWNMN1SP302SW01
14	201686	Cycle Selector Switch	All models except NWNMN1SP542NW22, SWNMN1SP302NW22 and SWNMN1SP302SW01
15	91176	Washer	
16	801431	Light	
17	210108W	End Cap	Right
18	202469	Control Panel Bumper	
	M400795	Bumper	Extra thick
19	201718	Control Overlay	Models SWNMN2PP112TW01, SWNMN2SP112CW01, SWNMN2SP112TW01 and SWNMN2SP112TW08
	201762	Control Overlay	Models HWNMN2PP112TW01 and HWNMN2SP112CW01
	202012	Control Overlay	Model BWNMN2PP112CW01
	201936	Control Overlay	Models GWNMN2PP302NW01 and GWNMN2PP112TW01
	202012	Control Overlay	Model BWNMN2PP112CW01
	201744	Control Overlay	Models SWNMN1SP302NW22 and SWNMN1SP302SW01
	202134	Control Overlay	Model NWNMN1SP542NW22
	202129	Control Overlay	Model NWNMN2SP302NW22
	202362	Control Overlay	Model UWNMN2SP112CW01
20	70455101	Rocker Switch	
21	24205	Nut	
22	39897	Switch Knob	
23	210109W	End Cap	Left
24	201742W	Control Panel Assembly	
25	52864	Screw	
26	201686	Cycle Selector Switch	Models NWNMN1SP542NW22, SWNMN1SP302NW22 and SWNMN1SP302SW01
	27761	Switch	All other models

Control Panel, Control Hood and Controls (Drawing 2 of 12)

Models BWNMN2PP302AW01, GWNMN1PP302AW01, GWNMN2PP302AW01 and SWNMN1SP302AW01



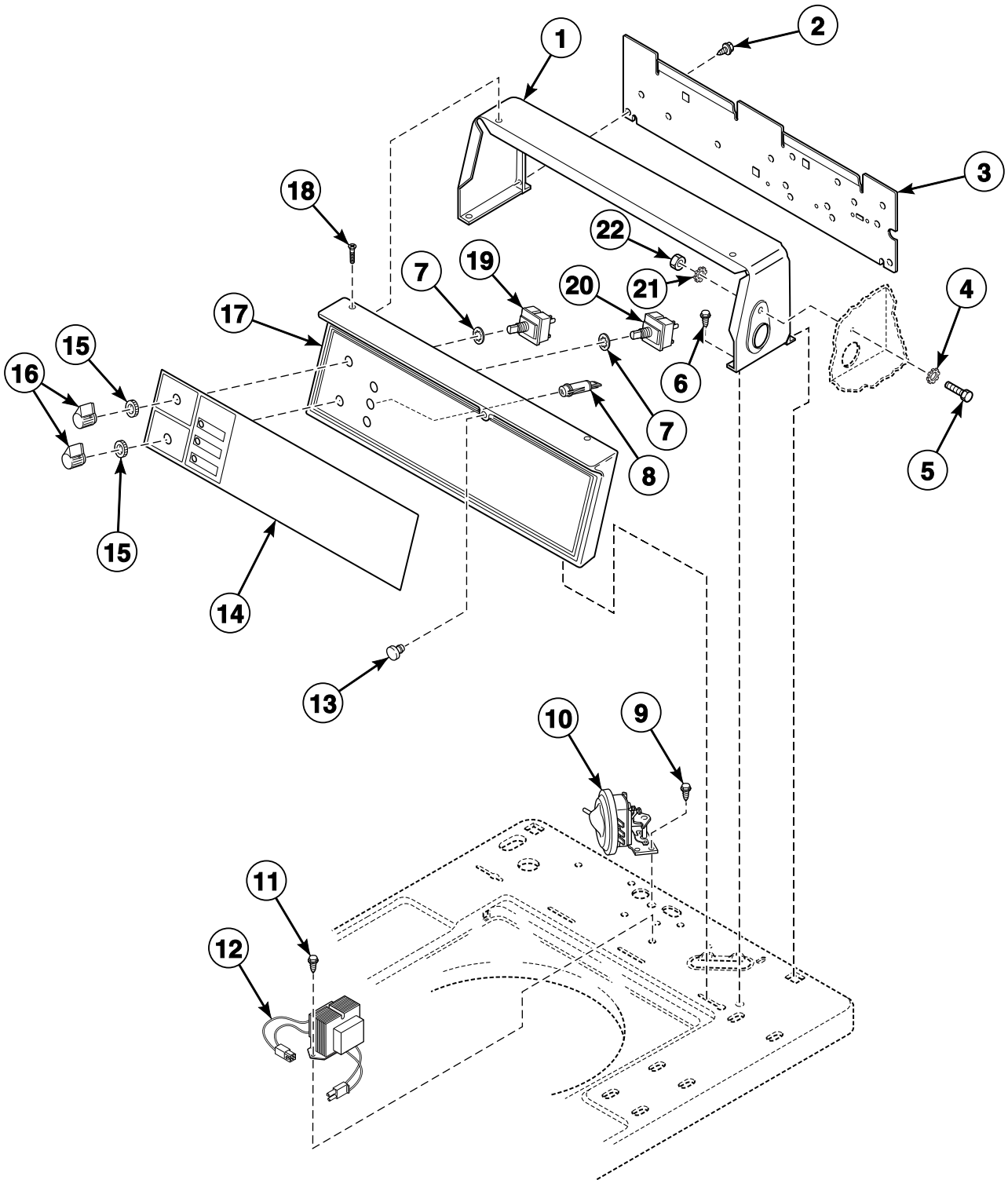
TLW1722P_202731

Control Panel, Control Hood and Controls (Drawing 2 of 12)

REF	PART NO.	DESCRIPTION	COMMENTS
1	210142W	Control Hood	
2	685837	Screw	
3	210100	Resistor	
4	203072	Rear Panel	
5	802343	Nut	
6	D501086	Screw	
7	39923	Lead-In Wire Harness Assembly	
8	39922	Cable Connection Box	
9	39931	Power Cord Assembly	
10	D501524	Screw	
11	M406494	Panel Clip	
12	202393P	Control Assembly	
13	00177	Male Tab Terminal	
14	D503661	Screw	
15	201616P	Transformer	
16	23962	Screw	
17	D505281	Disconnect Power Warning Label	
18	202655	Pressure Switch	
19	201686	Cycle Selector Switch	Models BWNMN2PP302AW01 and GWNMN2PP302AW01
20	91176	Washer	
21	801431	Light	
22	210108W	End Cap	Right
23	202469	Control Panel Bumper	
	M400795	Bumper	Extra thick
24	201744	Control Overlay	Model SWNMN1SP302AW01
	201938	Control Overlay	Model GWNMN1PP302AW01
	201936	Control Overlay	Model GWNMN2PP302AW01
	202012	Control Overlay	Model BWNMN2PP302AW01
25	70455101	Rocker Switch	
26	24205	Nut	
27	39897	Switch Knob	
28	210109W	End Cap	Left
29	D511021	Shock Warning Label	
30	201742W	Control Panel Assembly	
31	52864	Screw	
32	27761	Switch	Models BWNMN2PP302AW01 and GWNMN1PP302AW01
	201686	Cycle Selector Switch	All other models
33	70392701P	Gasket	

Control Panel, Control Hood and Controls (Drawing 3 of 12)

Models BWNSX2PP112CW01, GWNSX2PP112TW01, HWNSX1PP112TQ01, HWNSX1PP112TW01, HWNSX1SP112CW01, HWNSX2PP112TQ01, HWNSX2PP112TW01, HWNSX2SP112CW01, PWNSX2PP112TG02, SWNSX1PP112TQ01, SWNSX1PP112TW01, SWNSX1SP112TQ01, SWNSX1SP112TW01, SWNSX2PP112TQ01, SWNSX2PP112TW01, SWNSX2PP112TW02, SWNSX2SP112CW02, SWNSX2SP112TQ01, SWNSX2SP112TW01 and SWNSX2SP112TW02



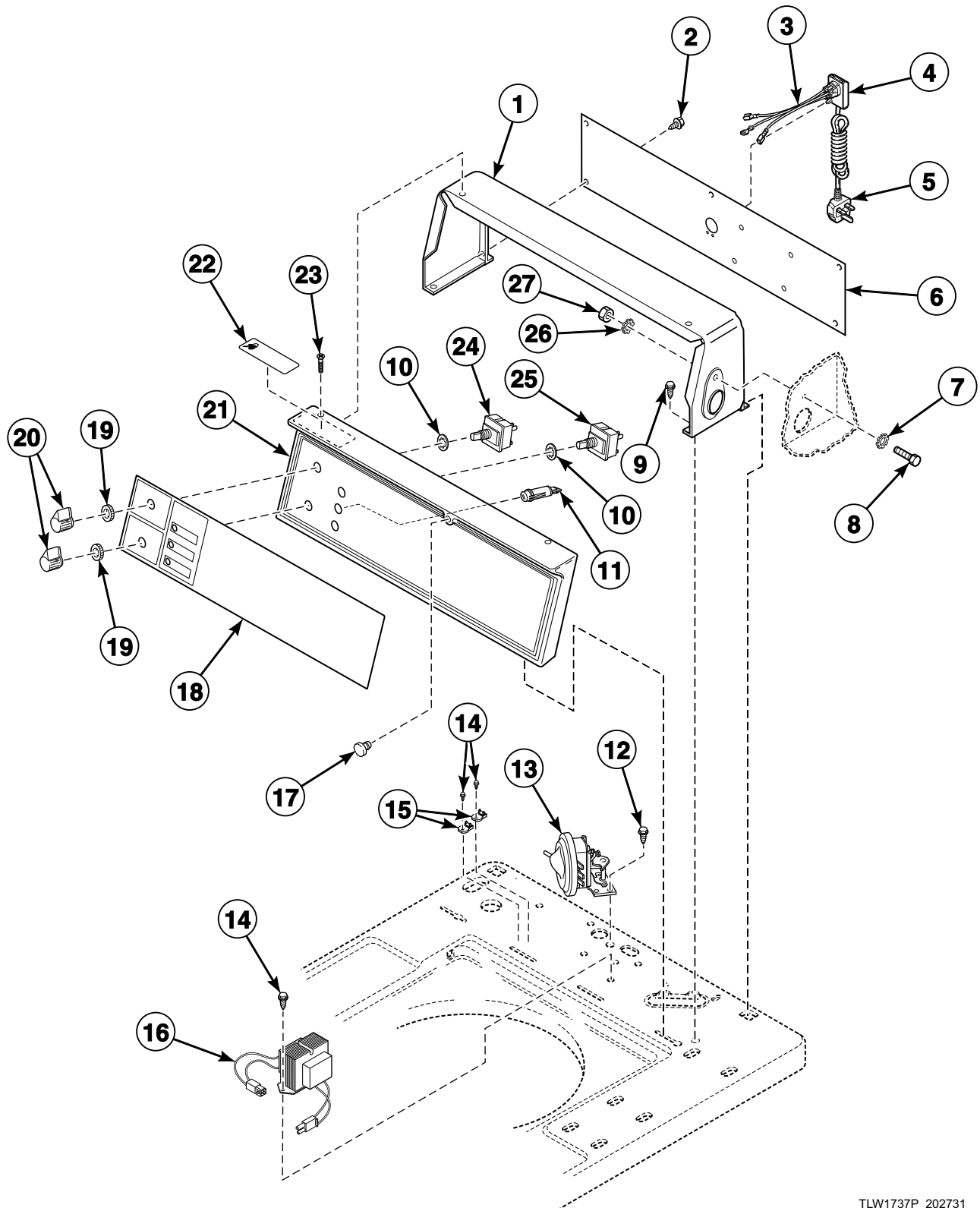
TLW1600P_202731

Control Panel, Control Hood and Controls (Drawing 3 of 12)

REF	PART NO.	DESCRIPTION	COMMENTS
1	37075W	Control Hood	White
	37075Q	Control Hood	Bisque
	37075DG	Control Hood	Gray
2	23222	Screw	
3	38267	Hood Back Panel	
4	M400017	Washer	
5	02916	Screw	
6	D501086	Screw	
7	91176	Washer	
8	801431	Light	
9	23962	Screw	
10	202655	Pressure Switch	
11	D503661	Screw	
12	201587P	Transformer	
13	202469	Control Panel Bumper	
	M400795	Bumper	Extra thick
14	201668	Control Overlay	Models SWNSX2PP112TQ01, SWNSX2PP112TW01, SWNSX2PP112TW02, SWNSX2SP112CW02, SWNSX2SP112TQ01, SWNSX2SP112TW01 and SWNSX2SP112TW02
	201674	Control Overlay	Models HWNSX1PP112TQ01, HWNSX1PP112TW01 and HWNSX1SP112CW01
	201675	Control Overlay	Models HWNSX2PP112TQ01, HWNSX2PP112TW01 and HWNSX2SP112CW01
	201667	Control Overlay	Models SWNSX1PP112TQ01, SWNSX1PP112TW01, SWNSX1SP112TQ01 and SWNSX1SP112TW01
	201935	Control Overlay	Model GWNSX2PP112TW01
	201999	Graphic Overlay	Model BWNSX2PP112CW01
	204005	Control Overlay	Model PWNSX2PP112TG02
15	24205	Nut	
16	39897	Switch Knob	
17	36520DG	Control Panel and Bracket Assembly	Gray; Model PWNSX2PP112TG02
	36521WP	Control Panel and Bracket Assembly	White; All other models
	36521QP	Control Panel and Bracket Assembly	Bisque; All other models
18	D500226	Screw	Phillips head
	35528	Screw	Torx head
19	27761	Switch	Models BWNSX2PP112CW01, GWNSX2PP112TW01, HWNSX2PP112TQ01, HWNSX2PP112TW01, HWNSX2SP112CW01, PWNSX2PP112TG02, SWNSX2PP112TQ01, SWNSX2PP112TW01, SWNSX2PP112TW02, SWNSX2SP112CW02, SWNSX2SP112TQ01, SWNSX2SP112TW01 and SWNSX2SP112TW02
	201686	Cycle Selector Switch	All other models
20	201686	Cycle Selector Switch	Models BWNSX2PP112CW01, GWNSX2PP112TW01, HWNSX2PP112TQ01, HWNSX2PP112TW01, HWNSX2SP112CW01, PWNSX2PP112TG02, SWNSX2PP112TQ01, SWNSX2PP112TW01, SWNSX2PP112TW02, SWNSX2SP112CW02, SWNSX2SP112TQ01, SWNSX2SP112TW01 and SWNSX2SP112TW02
21	02431	Washer	
22	44087101	Nut	

Control Panel, Control Hood and Controls (Drawing 4 of 12)

Models GWNSX1PP302AW01, GWNSX2PP302AW01, GWNSX2PP302NW01, NWNSX2SP302NW22, SWNSX1PP302AW01, SWNSX1SP302AW01, SWNSX1SP302BW01, SWNSX1SP302NW22, SWNSX1SP302SQ01, SWNSX1SP302SW01, SWNSX1SP302UW01 and SWNSX1SP542NW22



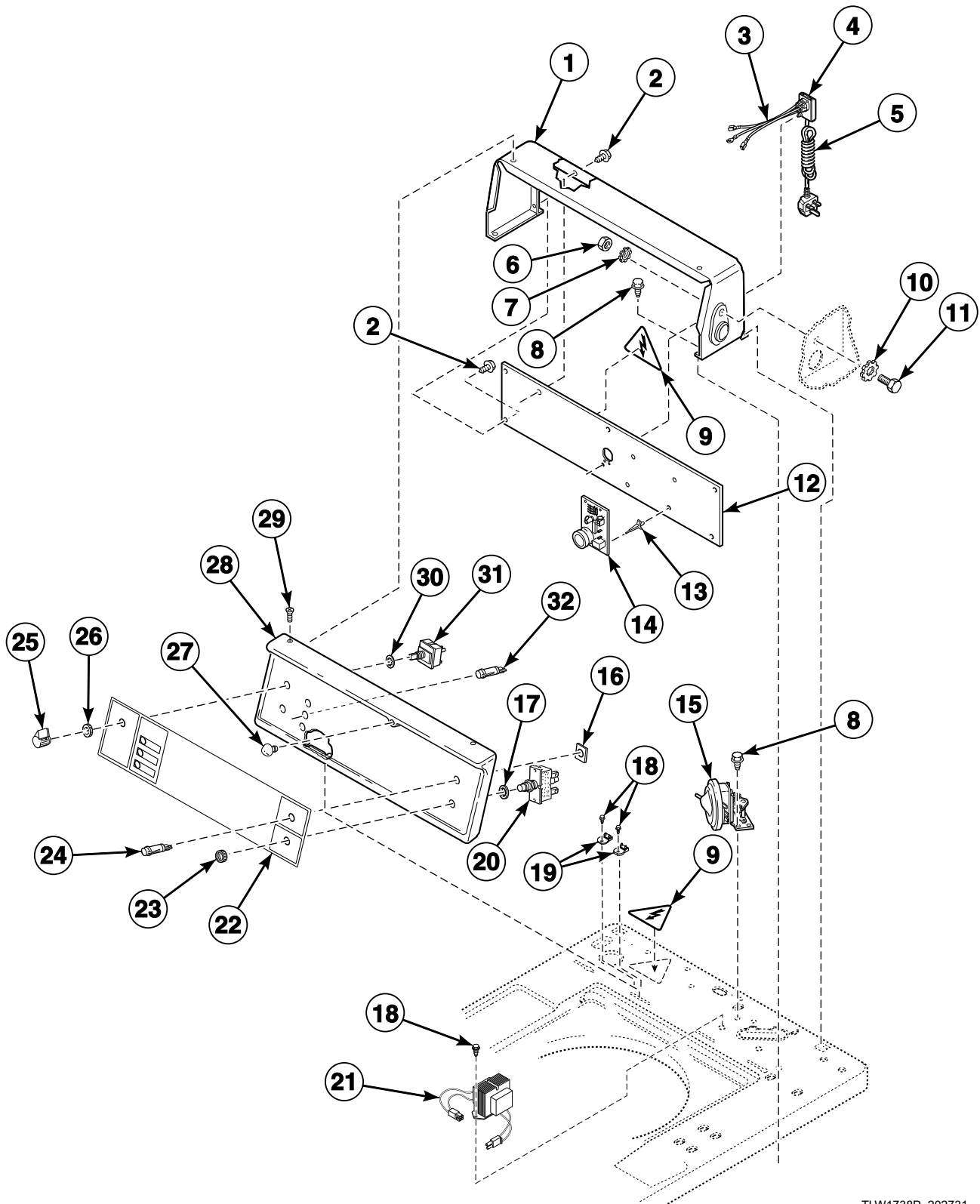
TLW1737P_202731

Control Panel, Control Hood and Controls (Drawing 4 of 12)

REF	PART NO.	DESCRIPTION	COMMENTS
1	37075W	Control Hood	White
	37075Q	Control Hood	Bisque
2	23222	Screw	
3	39923	Lead-In Wire Harness Assembly	Models GWNSX1PP302AW01, GWNSX2PP302AW01, SWNSX1PP302AW01, SWNSX1SP302AW01, SWNSX1SP302BW01 and SWNSX1SP302UW01
4	39922	Cable Connection Box	Models GWNSX1PP302AW01, GWNSX2PP302AW01, SWNSX1PP302AW01, SWNSX1SP302AW01, SWNSX1SP302BW01 and SWNSX1SP302UW01
5	39926	Lead-In Cord	Model SWNSX1SP302UW01
	39931	Power Cord Assembly	Models GWNSX1PP302AW01, GWNSX2PP302AW01, SWNSX1PP302AW01 and SWNSX1SP302AW01
	39984	Power Cord Assembly	Model SWNSX1SP302BW01
6	203074	Rear Panel	Models GWNSX1PP302AW01, GWNSX2PP302AW01, SWNSX1PP302AW01 and SWNSX1SP302AW01
	39920	Hood Back Panel	Models SWNSX1SP302BW01 and SWNSX1SP302UW01
	38267	Hood Back Panel	All other models
7	M400017	Washer	
8	02916	Screw	
9	D501086	Screw	
10	91176	Washer	
11	801431	Light	
12	23962	Screw	
13	202655	Pressure Switch	
14	D503661	Screw	
15	210100	Resistor	
16	201616P	Transformer	Some models may have jumper wire attached to transformer. Discard jumper wire when replacing transformer.
17	202469	Control Panel Bumper	
	M400795	Bumper	Extra thick
18	201937	Control Overlay	Model GWNSX1PP302AW01
	202130	Control Overlay	Model NWNSX2SP302NW22
	201935	Control Overlay	Models GWNSX2PP302AW01 and GWNSX2PP302NW01
	201667	Control Overlay	All other models
19	24205	Nut	
20	39897	Switch Knob	
21	36521WP	Control Panel and Bracket Assembly	White
	36521QP	Control Panel and Bracket Assembly	Bisque
22	D511021	Shock Warning Label	Models GWNSX1PP302AW01, GWNSX2PP302AW01, SWNSX1PP302AW01 and SWNSX1SP302AW01
23	D500226	Screw	Phillips head
	35528	Screw	Torx head
24	27761	Switch	Models GWNSX2PP302AW01, GWNSX2PP302NW01 and NWNSX2SP302NW22
	201686	Cycle Selector Switch	All other models
25	201686	Cycle Selector Switch	Models GWNSX2PP302AW01, GWNSX2PP302NW01 and NWNSX2SP302NW22
26	02431	Washer	
27	44087101	Nut	

Control Panel, Control Hood and Controls (Drawing 5 of 12)

Models GWNSX1PP302EW09, HWNSX1SP302UW09 and SWNSX1SP302EW09



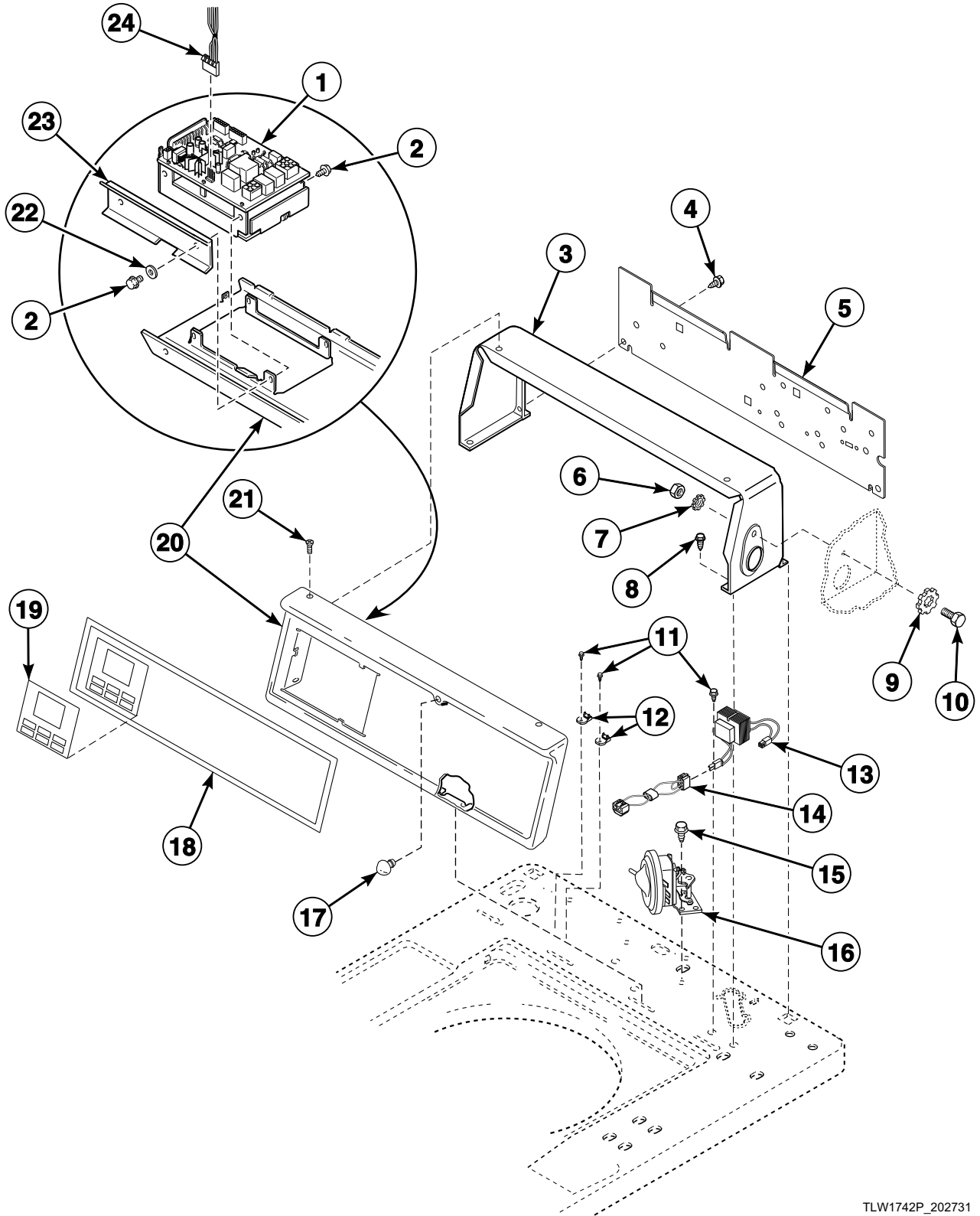
TLW1738P_202731

Control Panel, Control Hood and Controls (Drawing 5 of 12)

REF	PART NO.	DESCRIPTION	COMMENTS
1	37075W	Control Hood	
2	23222	Screw	
3	201405P	Lead-In Wire Harness Assembly	Model HWNSX1SP302UW09
4	39922	Cable Connection Box	
5	39925	Power Cord Assembly	Models GWNSX1PP302EW09 and SWNSX1SP302EW09
	39926	Lead-In Cord	Model HWNSX1SP302UW09
6	44087101	Nut	
7	02431	Washer	
8	23962	Screw	
9	F8211201	Electrical Shock Label	
10	M400017	Washer	
11	02916	Screw	
12	39920	Hood Back Panel	
13	D501523	Circuit Board Support	
14	37225P	Control Lid Lock Assembly	
15	202655	Pressure Switch	
16	34762	Push-On Clip	
17	F430339	Washer	
18	D503661	Screw	
19	210100	Resistor	
20	55882	Switch Assembly	
21	201616P	Transformer	
22	201673	Control Overlay	Model SWNSX1SP302EW09
	202022	Control Overlay	Model GWNSX1PP302EW09
	202408	Control Overlay	Model HWNSX1SP302UW09
23	52947	Nut	
24	39536	Lid Switch Indicator Light	
25	39897	Switch Knob	
26	24205	Nut	
27	202469	Control Panel Bumper	
	M400795	Bumper	Extra thick
28	36521WP	Control Panel and Bracket Assembly	
29	D500226	Screw	Phillips head
	35528	Screw	Torx head; Optional for added security
30	91176	Washer	
31	201686	Cycle Selector Switch	
32	801431	Light	

Control Panel, Control Hood and Controls (Drawing 6 of 12)

Models BWNBC2PP112TW01, BWNBX2PP112TW01, HWNBC2PP112TQ01, HWNBC2PP112TW01, HWNBD2SP112CQ01, HWNBD2SP112CW01, HWNBE2SP112CW01, HWNBX1SP122DW01, HWNBX2SP112CW01, HWNBX2SP112FW28, NWNBX2SP302NW22, PWNBC2PP112TG02, PWNBX2PP112TG02, SWNBC2PP112TQ01, SWNBC2PP112TW01, SWNBC2PP112TW02, SWNBC2SP112TQ01, SWNBC2SP112TW01, SWNBX1SP122DW01, SWNBX2PP112TW02, SWNBX2SP082JW01, SWNBX2SP112FW27, SWNBX2SP112TQ01, SWNBX2SP112TW01, SWNBX2SP302NQ22, SWNBX2SP302NW22 and TWNBX2SP302NW22



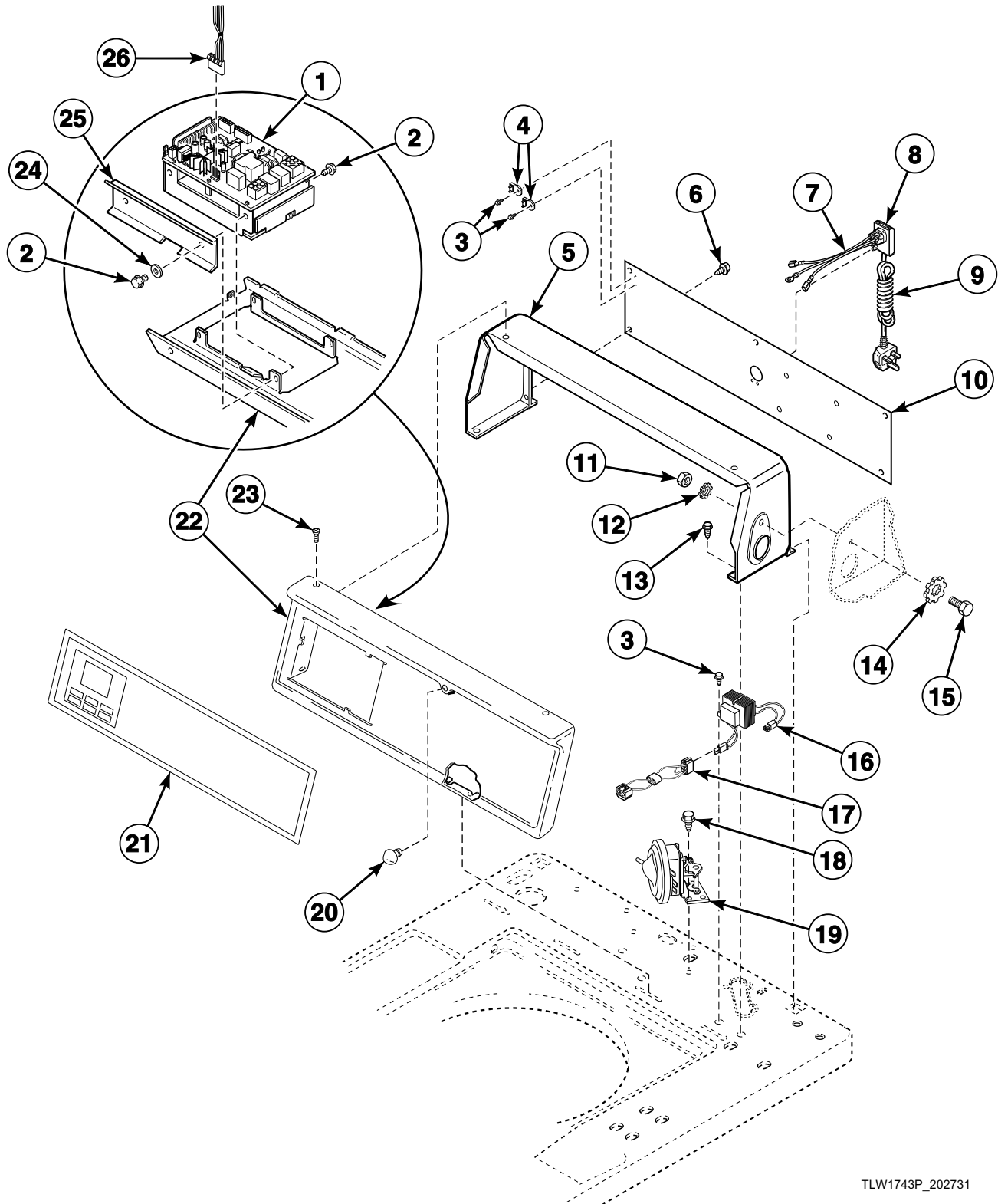
TLW1742P_202731

Control Panel, Control Hood and Controls (Drawing 6 of 12)

REF	PART NO.	DESCRIPTION	COMMENTS
1	202831P	Control Assembly	Models BWNBC2PP112TW01 and BWNBX2PP112TW01
	202392P	Control Assembly	All other models
2	D501524	Screw	
3	37075W	Control Hood	White
	37075Q	Control Hood	Bisque
	37075DG	Control Hood	Dark gray
4	23222	Screw	
5	38267	Hood Back Panel	
6	44087101	Nut	
7	02431	Washer	
8	D501086	Screw	
9	M400017	Washer	
10	02916	Screw	
11	D503661	Screw	
12	210100	Resistor	Models NWNBX2SP302NW22, SWNBX2SP302NQ22, SWNBX2SP302NW22 and TWNBX2SP302NW22
13	803527P	Transformer	Models NWNBX2SP302NW22, SWNBX2SP082JW01, SWNBX2SP302NQ22, SWNBX2SP302NW22 and TWNBX2SP302NW22
	201375P	Transformer	Some models may have jumper wire attached to transformer. Discard jumper wire when replacing transformer.; Models BWNBX2PP112TW01, HWNBE2SP112CW01, HWNBX2SP112CW01, HWNBX2SP112FW28, PWNBX2PP112TG02, SWNBX2PP112TW02, SWNBX2SP112FW27, SWNBX2SP112TQ01 and SWNBX2SP112TW01
	210018P	Transformer	All other models
14	M413507	Jumper Configuration Assembly	Models NWNBX2SP302NW22, SWNBX2SP302NQ22, SWNBX2SP302NW22 and TWNBX2SP302NW22
15	23962	Screw	
16	202655	Pressure Switch	
17	202469	Control Panel Bumper	
	M400795	Bumper	Extra thick
18	202174	Overlay	Models NWNBX2SP302NW22 and TWNBX2SP302NW22
	805914	Label	Model TWNBX2SP302NW22
	200918	Overlay	Models SWNBC2PP112TQ01, SWNBC2PP112TW01, SWNBC2PP112TW02, SWNBC2SP112TQ01, SWNBC2SP112TW01, SWNBX1SP122DW01, SWNBX2PP112TW02, SWNBX2SP082JW01, SWNBX2SP112FW27, SWNBX2SP112TQ01, SWNBX2SP112TW01, SWNBX2SP302NQ22 and SWNBX2SP302NW22
	200919	Overlay	Models HWNBC2PP112TQ01, HWNBC2PP112TW01, HWNBD2SP112CQ01, HWNBD2SP112CW01, HWNBE2SP112CW01, HWNBX1SP122DW01, HWNBX2SP112CW01 and HWNBX2SP112FW28
19	202098	Overlay	Models BWNBC2PP112TW01 and BWNBX2PP112TW01
	203526	Overlay	Models PWNBC2PP112TG02 and PWNBX2PP112TG02
	202310	Overlay	French/English; Models HWNBD2SP112CQ01, HWNBD2SP112CW01, HWNBE2SP112CW01 and HWNBX2SP112CW01
20	210042W	Control Panel Assembly	White
	210042Q	Control Panel Assembly	Bisque
	210042DG	Control Panel Assembly	Dark gray
21	52864	Screw	Phillips head
	35528	Screw	Torx head
22	200608	Washer	
23	210053	Control Shield	
24	D511478	Central Pay Harness	

Control Panel, Control Hood and Controls (Drawing 7 of 12)

Models BWNBX2PP302AW01, HWNBX1SP122DW01, HWNBX1SP542DW01, PWNBX2PP302AG02, SWNBX1SP122DW01, SWNBX1SP542DW01 and SWNBX2SP302AW01



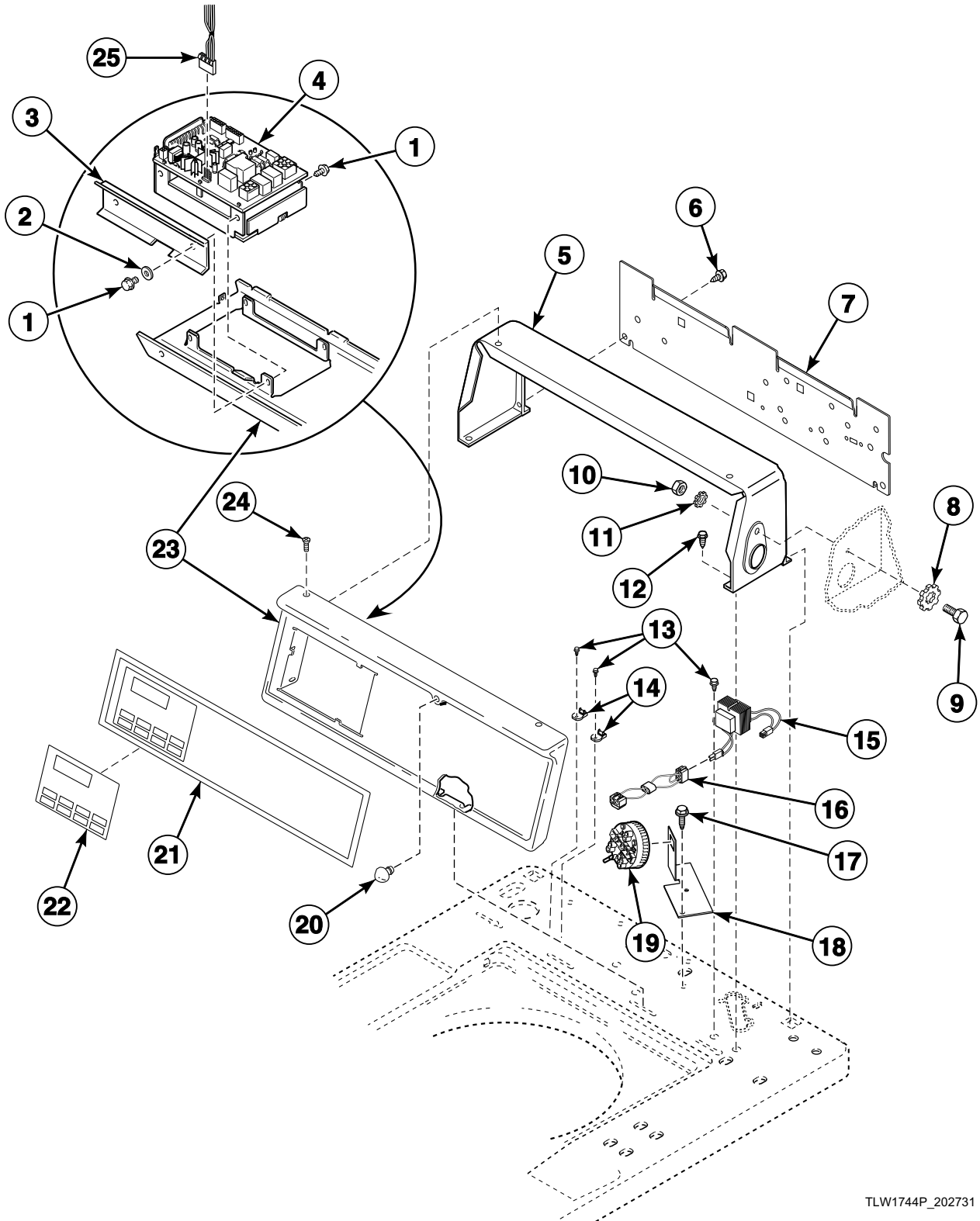
TLW1743P_202731

Control Panel, Control Hood and Controls (Drawing 7 of 12)

REF	PART NO.	DESCRIPTION	COMMENTS
1	202831P	Control Assembly	Model BWNBX2PP302AW01
	202392P	Control Assembly	All other models
2	D501524	Screw	
3	D503661	Screw	
4	210100	Resistor	Models BWNBX2PP302AW01, HWNBX1SP542DW01, SWNBX1SP542DW01 and SWNBX2SP302AW01
5	37075W	Control Hood	White
	37075DG	Control Hood	Dark gray
6	23222	Screw	
7	39923	Lead-In Wire Harness Assembly	Models BWNBX2PP302AW01, PWNBX2PP302AG02 and SWNBX2SP302AW01
	201405P	Lead-In Wire Harness Assembly	All other models
8	39922	Cable Connection Box	
9	39931	Power Cord Assembly	Models BWNBX2PP302AW01, PWNBX2PP302AG02 and SWNBX2SP302AW01
	804556	Lead-In Cord Assembly	All other models
10	203074	Rear Panel	Models BWNBX2PP302AW01, PWNBX2PP302AG02 and SWNBX2SP302AW01
	39920	Hood Back Panel	All other models
11	44087101	Nut	
12	02431	Washer	
13	D501086	Screw	
14	M400017	Washer	
15	02916	Screw	
16	803527P	Transformer	Models BWNBX2PP302AW01, PWNBX2PP302AG02 and SWNBX2SP302AW01
	201375P	Transformer	All other models
17	M413507	Jumper Configuration Assembly	Models BWNBX2PP302AW01, HWNBX1SP542DW01, PWNBX2PP302AG02, SWNBX1SP542DW01 and SWNBX2SP302AW01
18	23962	Screw	
19	202655	Pressure Switch	
20	202469	Control Panel Bumper	
	M400795	Bumper	Extra thick
21	200919	Overlay	Models HWNBX1SP122DW01 and HWNBX1SP542DW01
	202098	Overlay	Model BWNBX2PP302AW01
	203526	Overlay	Model PWNBX2PP302AG02
	200918	Overlay	All other models
22	210042W	Control Panel Assembly	White
	210042DG	Control Panel Assembly	Dark gray
23	52864	Screw	
24	200608	Washer	
25	210053	Control Shield	
26	D511478	Central Pay Harness	

Control Panel, Control Hood and Controls (Drawing 8 of 12)

Models HWNLE2AP112CW01, HWNLE2HP112CW01, HWNLE2SP112CW01, HWNLX2HP112CW01, HWNLX2SP112CW01, SWNLC2AP112TW01, SWNLC2AP112TW02, SWNLC2HP112TQ01, SWNLC2HP112TW01, SWNLC2HP112TW02, SWNLC2PP112TW01, SWNLC2PP112TW02, SWNLC2SP112TQ01, SWNLC2SP112TW01, SWNLC2SP112TW02, SWNLX1SP542NW23, SWNLX2AP112TW02, SWNLX2HP112TW01, SWNLX2HP112TW02, SWNLX2PP112TW02, SWNLX2SP112TW01 and SWNLX2SP112TW02



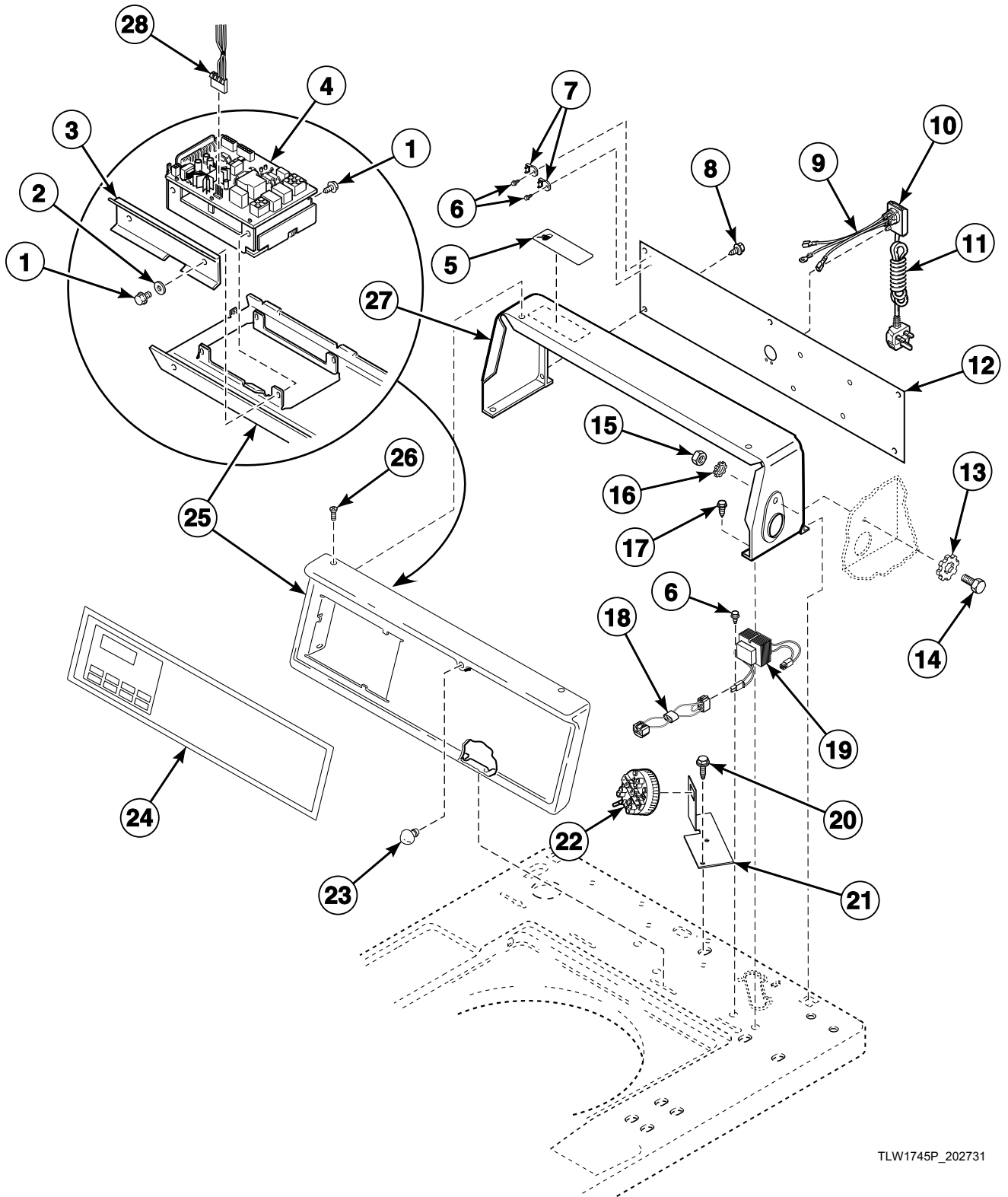
TLW1744P_202731

Control Panel, Control Hood and Controls (Drawing 8 of 12)

REF	PART NO.	DESCRIPTION	COMMENTS
	202828	Options Label	English
	202829	Options Label	Spanish
	NK201	Network Retrofit Kit	Wired
	NK220	Network Controller Kit	Wired
	NK301	Wireless Network Kit	
	NK320	Ethernet Gateway Kit	Wireless
	NK330	USB Gateway Kit	Wireless
1	D501524	Screw	
2	200608	Washer	
3	210053	Control Shield	
4	202820P	Control Assembly	Models HWNLE2AP112CW01, HWNLE2HP112CW01, HWNLX2HP112CW01, SWNLC2AP112TW01, SWNLC2AP112TW02, SWNLC2HP112TW01, SWNLC2HP112TW02, SWNLX2AP112TW02, SWNLX2HP112TW01 and SWNLX2HP112TW02
	202391P	Control Assembly	All other models
5	37075Q	Control Hood	Model SWNLC2SP112TQ01
	37075W	Control Hood	All other models
6	23222	Screw	
7	38267	Hood Back Panel	
8	M400017	Washer	
9	02916	Screw	
10	44087101	Nut	
11	02431	Washer	
12	D501086	Screw	
13	D503661	Screw	
14	210100	Resistor	Model SWNLX1SP542NW23
15	201375P	Transformer	Some models may have jumper wire attached to transformer. Discard jumper wire when replacing transformer; Models HWNLE2AP112CW01, HWNLE2HP112CW01, HWNLE2SP112CW01, HWNLX2HP112CW01, HWNLX2SP112CW01, SWNLX2AP112TW02, SWNLX2HP112TW01, SWNLX2HP112TW02, SWNLX2PP112TW02, SWNLX2SP112TW01 and SWNLX2SP112TW02
	803527P	Transformer	Model SWNLX1SP542NW23
	210018P	Transformer	All other models
16	M413507	Jumper Configuration Assembly	Model SWNLX1SP542NW23
17	23962	Screw	
18	201789	Pressure Switch Bracket	
19	803637	Pressure Switch	Service only switch; Models HWNLE2AP112CW01, HWNLE2HP112CW01, HWNLX2HP112CW01, SWNLC2AP112TW01, SWNLC2AP112TW02, SWNLC2SP112TW02, SWNLX2AP112TW02, SWNLX2HP112TW01 and SWNLX2HP112TW02
	803638P	Pressure Switch	All other models
20	202469	Control Panel Bumper	
	M400795	Bumper	Extra thick
21	202417	Control Overlay	Models HWNLE2AP112CW01, HWNLE2HP112CW01, HWNLE2SP112CW01, HWNLX2HP112CW01 and HWNLX2SP112CW01
	202416	Control Panel Overlay	All other models
22	202309	Control Sticker Overlay	French/English; Models HWNLE2AP112CW01, HWNLE2HP112CW01, HWNLE2SP112CW01, HWNLX2HP112CW01 and HWNLX2SP112CW01
23	210042Q	Control Panel Assembly	Models SWNLC2HP112TQ01 and SWNLC2SP112TQ01
	210042W	Control Panel Assembly	All other models
24	52864	Screw	Phillips head
	35528	Screw	Torx head
25	D511478	Central Pay Harness	

Control Panel, Control Hood and Controls (Drawing 9 of 12)

Models HWNLX1SP122DW01, HWNLX1SP542DW01, SWNLX1SP122DW01,
SWNLX1SP542DW01 and SWNLX2SP302AW01



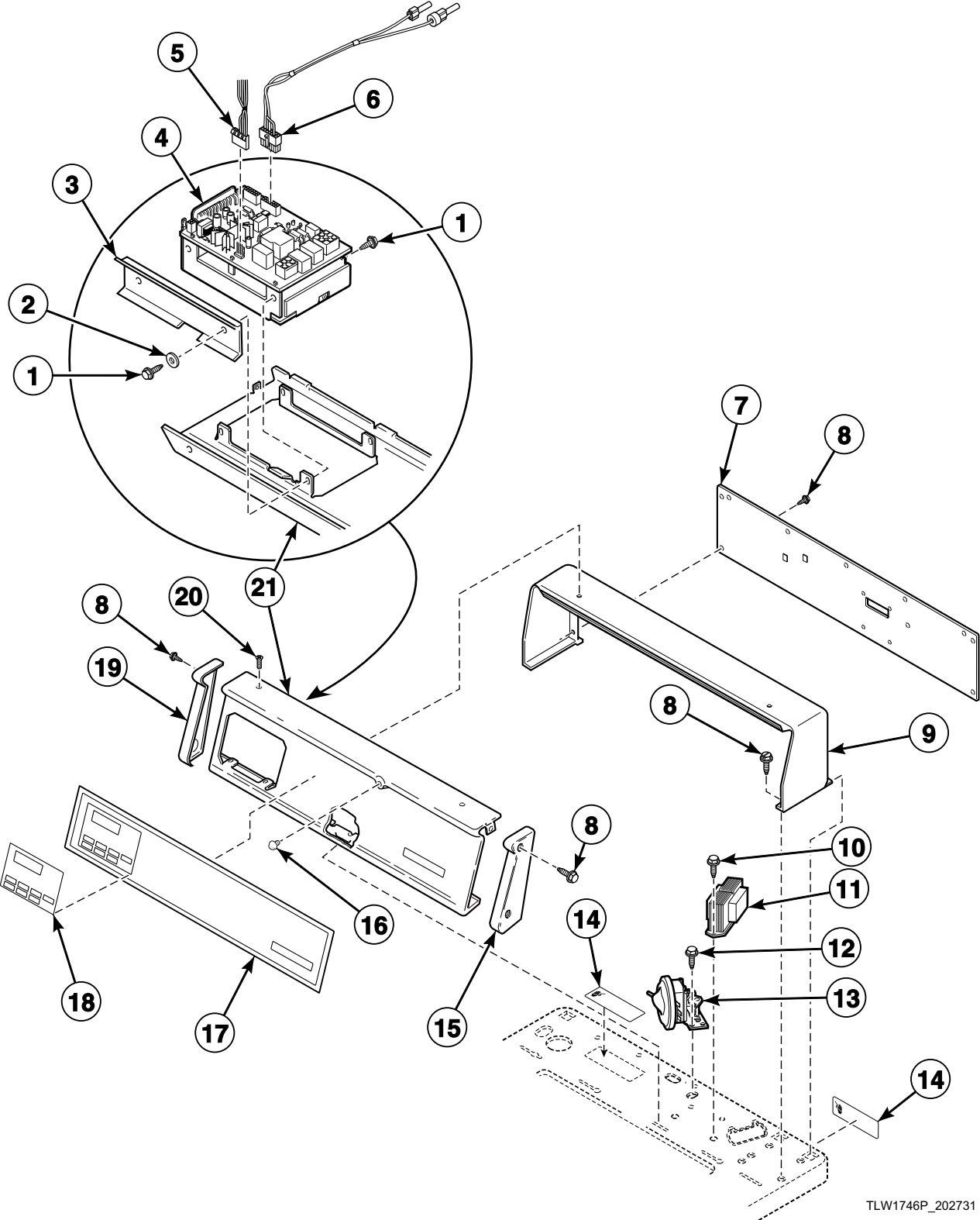
TLW1745P_202731

Control Panel, Control Hood and Controls (Drawing 9 of 12)

REF	PART NO.	DESCRIPTION	COMMENTS
	202829	Options Label	Spanish
	NK201	Network Retrofit Kit	Wired
	NK220	Network Controller Kit	Wired
	NK301	Wireless Network Kit	
	NK320	Ethernet Gateway Kit	Wireless
	NK330	USB Gateway Kit	Wireless
1	D501524	Screw	
2	200608	Washer	
3	210053	Control Shield	
4	202391P	Control Assembly	
5	D511021	Shock Warning Label	
6	D503661	Screw	
7	210100	Resistor	Models HWNLX1SP542DW01, SWNLX1SP542DW01 and SWNLX2SP302AW01
8	23222	Screw	
9	201405P	Lead-In Wire Harness Assembly	
10	39922	Cable Connection Box	
11	39931	Power Cord Assembly	Model SWNLX2SP302AW01
	804556	Lead-In Cord Assembly	All other models
12	39920	Hood Back Panel	
13	M400017	Washer	
14	02916	Screw	
15	44087101	Nut	
16	02431	Washer	
17	D501086	Screw	
18	M413507	Jumper Configuration Assembly	Models HWNLX1SP542DW01, SWNLX1SP542DW01 and SWNLX2SP302AW01
19	803527P	Transformer	Models HWNLX1SP542DW01, SWNLX1SP542DW01 and SWNLX2SP302AW01
	201375P	Transformer	All other models
20	23962	Screw	
21	201789	Pressure Switch Bracket	
22	803638P	Pressure Switch	
	803637	Pressure Switch	Use for higher water level
23	202469	Control Panel Bumper	
	M400795	Bumper	Extra thick
24	202417	Control Overlay	Models HWNLX1SP122DW01 and HWNLX1SP542DW01
	202416	Control Panel Overlay	All other models
25	210042W	Control Panel Assembly	
26	52864	Screw	Phillips head
	35528	Screw	Torx head
27	37075W	Control Hood	
28	D511478	Central Pay Harness	

Control Panel, Control Hood and Controls (Drawing 10 of 12)

Models BWNBY2PP112TW01, HWNBY2PP112TW01, HWNBY2SP112CW01,
SWNBY2PP112TW01 and SWNBY2SP112TW01



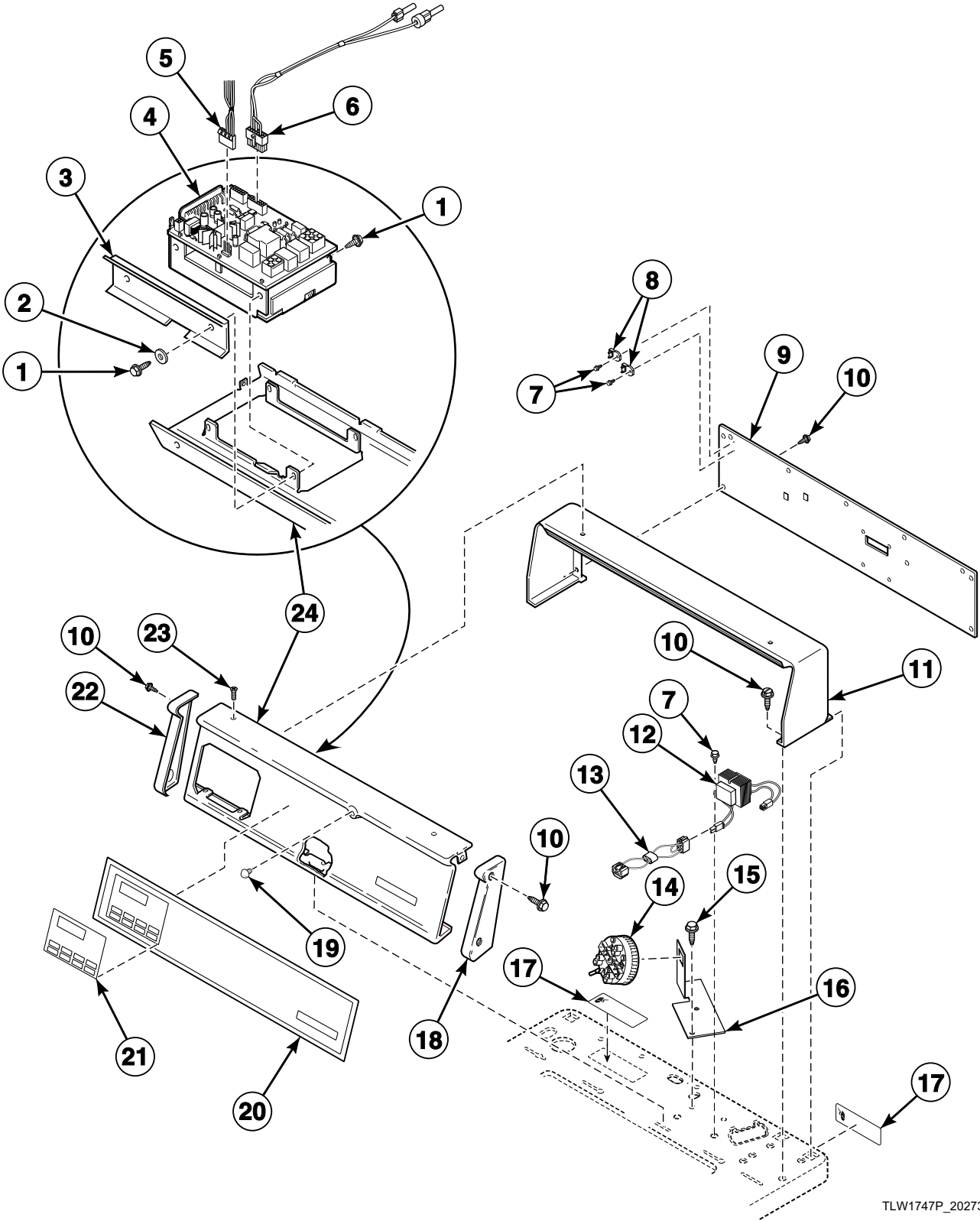
TLW1746P_202731

Control Panel, Control Hood and Controls (Drawing 10 of 12)

REF	PART NO.	DESCRIPTION	COMMENTS
1	D501524	Screw	
2	200608	Washer	
3	210053	Control Shield	
4	202831P	Control Assembly	Model BWNBY2PP112TW01
	202392P	Control Assembly	All other models
5	D511478	Central Pay Harness	
6	800680	Diagnostic Wire Harness Assembly	
7	210143	Rear Panel	
8	D501086	Screw	
9	210142W	Control Hood	
10	D503661	Screw	
11	201375P	Transformer	Some models may have jumper wire attached to transformer. Discard jumper wire when replacing transformer
12	23962	Screw	
13	202655	Pressure Switch	
14	D505281	Disconnect Power Warning Label	Models BWNBY2PP112TW01, SWNBY2PP112TW01 and SWNBY2SP112TW01
	D500316	Warning Label	Models HWNBY2PP112TW01 and HWNBY2SP112CW01
15	210108W	End Cap	Right
16	202469	Control Panel Bumper	
	M400795	Bumper	Extra thick
17	201003	Control Panel Overlay	Models BWNBY2PP112TW01, SWNBY2PP112TW01 and SWNBY2SP112TW01
	201007	Control Panel Overlay	Models HWNBY2PP112TW01 and HWNBY2SP112CW01
18	202310	Overlay	French/English; Models HWNBY2PP112TW01 and HWNBY2SP112CW01
	202832	Overlay	Model BWNBY2PP112TW01
19	210109W	End Cap	Left
20	52864	Screw	
21	210137W	Control Panel Assembly	

Control Panel, Control Hood and Controls (Drawing 11 of 12)

Models HWNLY2HP112CW01, HWNLY2SP112CW01, SWNLY2AP112TW01, SWNLY2HP112TW01, SWNLY2PP112TW01, SWNLY2SP112TW01 and SWNLY2SP302NW22



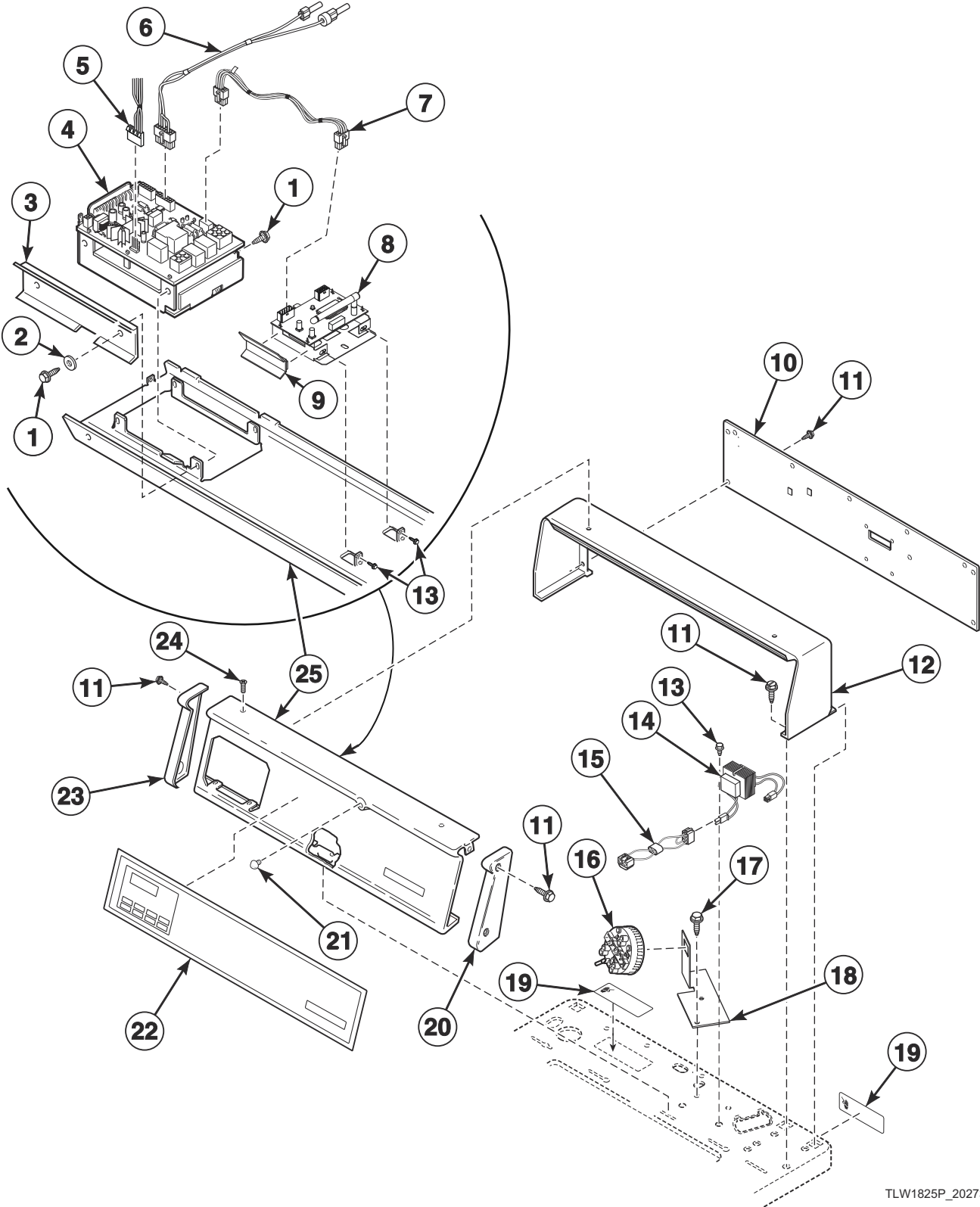
TLW1747P_202731

Control Panel, Control Hood and Controls (Drawing 11 of 12)

REF	PART NO.	DESCRIPTION	COMMENTS
	202829	Options Label	Spanish
	NK201	Network Retrofit Kit	Wired
	NK220	Network Controller Kit	Wired
	NK301	Wireless Network Kit	
	NK320	Ethernet Gateway Kit	Wireless
	NK330	USB Gateway Kit	Wireless
1	D501524	Screw	
2	200608	Washer	
3	210053	Control Shield	
4	202820P	Control Assembly	Models HWNLY2HP112CW01, SWNLY2AP112TW01 and SWNLY2HP112TW01
	202391P	Control Assembly	All other models
5	D511478	Central Pay Harness	
6	800680	Diagnostic Wire Harness Assembly	
7	D503661	Screw	Model SWNLY2SP302NW22
8	210100	Resistor	Model SWNLY2SP302NW22
9	210143	Rear Panel	
10	D501086	Screw	
11	210142W	Control Hood	
12	803527P	Transformer	Model SWNLY2SP302NW22
	201375P	Transformer	Some models may have jumper wire attached to transformer. Discard jumper wire when replacing transformer.; All other models
13	M413507	Jumper Configuration Assembly	
14	803637	Pressure Switch	Service only switch; Models HWNLY2HP112CW01, SWNLY2AP112TW01 and SWNLY2HP112TW01
	803638P	Pressure Switch	All other models
15	23962	Screw	
16	201789	Pressure Switch Bracket	
17	D500316	Warning Label	Models HWNLY2HP112CW01 and HWNLY2SP112CW01
	D505281	Disconnect Power Warning Label	All other models
18	210108W	End Cap	Right
19	202469	Control Panel Bumper	
	M400795	Bumper	Extra thick
20	202418	Control Overlay	Models HWNLY2HP112CW01 and HWNLY2SP112CW01
	202415	Control Overlay	All other models
21	202309	Control Sticker Overlay	French/English; Models HWNLY2HP112CW01 and HWNLY2SP112CW01
22	210109W	End Cap	Left
23	52864	Screw	
24	210137W	Control Panel Assembly	

Control Panel, Control Hood and Controls (Drawing 12 of 12)

Models SWNWX2AP112TW11 and SWNWX2HP112TW11



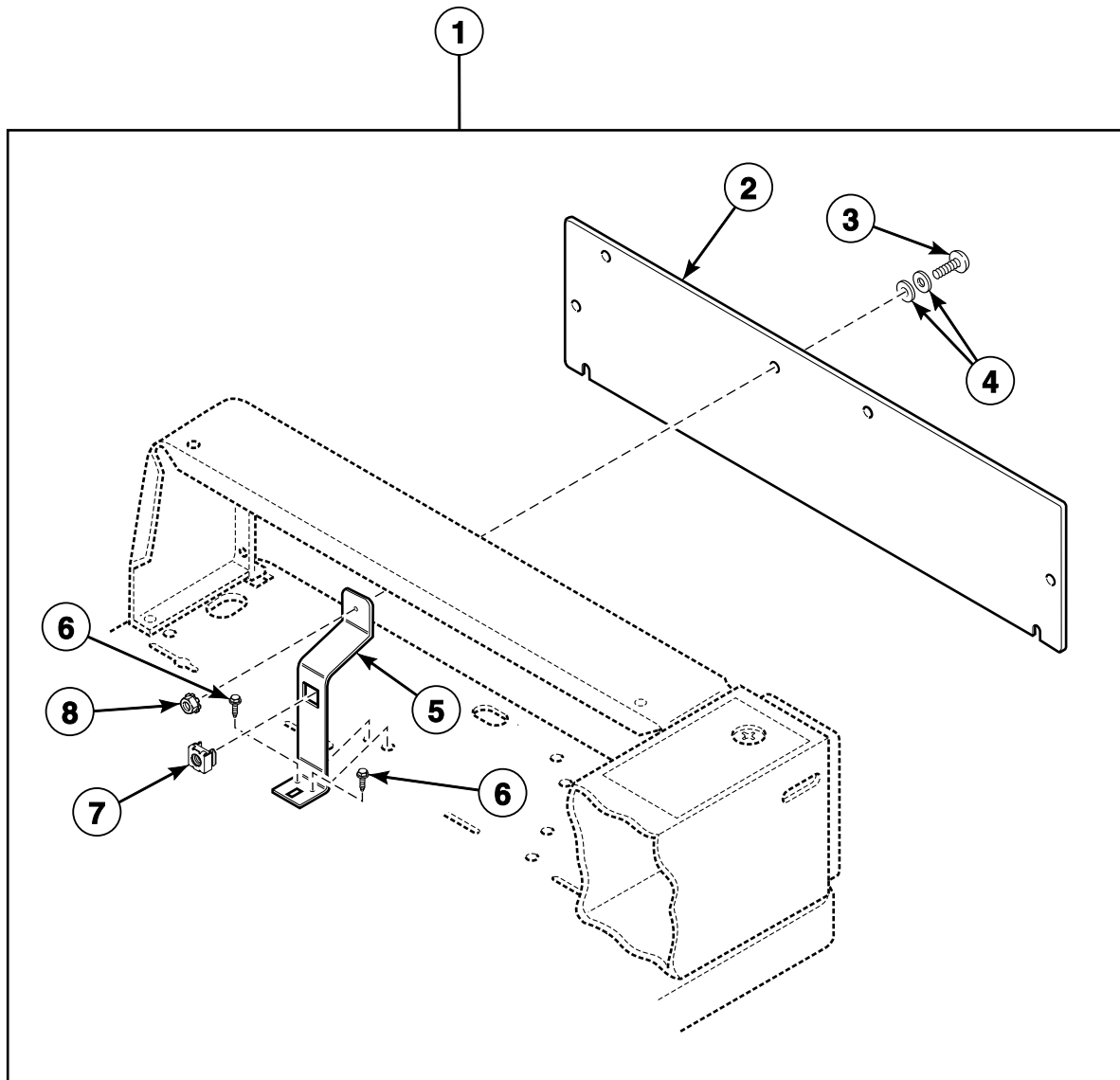
TLW1825P_202731

Control Panel, Control Hood and Controls (Drawing 12 of 12)

REF	PART NO.	DESCRIPTION	COMMENTS
	NK320	Ethernet Gateway Kit	Wireless
	NK330	USB Gateway Kit	Wireless
1	D501524	Screw	
2	200608	Washer	
3	210053	Control Shield	
4	202820P	Control Assembly	
5	D511478	Central Pay Harness	
6	800680	Diagnostic Wire Harness Assembly	
7	44088501P	Network Wire Harness Assembly	
8	202335	Wireless Transceiver Assembly	
9	D501441	Electronic Control Shield	
10	210143	Rear Panel	
11	D501086	Screw	
12	210142W	Control Hood	
13	D503661	Screw	
14	201375P	Transformer	
15	M413507	Jumper Configuration Assembly	
16	201789	Pressure Switch Bracket	
17	23962	Screw	
18	803638P	Pressure Switch	
19	D505281	Disconnect Power Warning Label	
20	210108W	End Cap	Right
21	202469	Control Panel Bumper	
	M400795	Bumper	Extra thick
22	202415	Control Overlay	
23	210109W	End Cap	Left
24	52864	Screw	
25	210137W	Control Panel Assembly	

Control Hood Security Kit

Models BWNBC2PP112TW01, BWNBX2PP112TW01, BWNBX2PP302AW01, HWNBC2PP112TQ01, HWNBC2PP112TW01, HWNBD2SP112CQ01, HWNBD2SP112CW01, HWNBE2SP112CW01, HWNBX1SP122DW01, HWNBX1SP542DW01, HWNBX2SP112CW01, HWNBX2SP112FW28, HWNLE2AP112CW01, HWNLE2HP112CW01, HWNLE2SP112CW01, HWNLX1SP122DW01, HWNLX1SP542DW01, HWNLX2HP112CW01, HWNLX2SP112CW01, NWNBX2SP302NW22, PWNBC2PP112TG02, PWNBX2PP112TG02, PWNBX2PP302AG02, SWNBC2PP112TQ01, SWNBC2PP112TW01, SWNBC2PP112TW02, SWNBC2SP112TQ01, SWNBC2SP112TW01, SWNBX1SP122DW01, SWNBX1SP542DW01, SWNBX2PP112TW02, SWNBX2SP082JW01, SWNBX2SP112FW27, SWNBX2SP112TQ01, SWNBX2SP112TW01, SWNBX2SP302AW01, SWNBX2SP302NQ22, SWNBX2SP302NW22, SWNLC2AP112TW01, SWNLC2AP112TW02, SWNLC2HP112TQ01, SWNLC2HP112TW01, SWNLC2HP112TW02, SWNLC2PP112TW01, SWNLC2PP112TW02, SWNLC2SP112TQ01, SWNLC2SP112TW01, SWNLC2SP112TW02, SWNLX1SP122DW01, SWNLX1SP542DW01, SWNLX1SP542NW23, SWNLX2AP112TW02, SWNLX2HP112TW01, SWNLX2HP112TW02, SWNLX2PP112TW02, SWNLX2SP112TW01, SWNLX2SP112TW02, SWNLX2SP302AW01 and TWNBX2SP302NW22



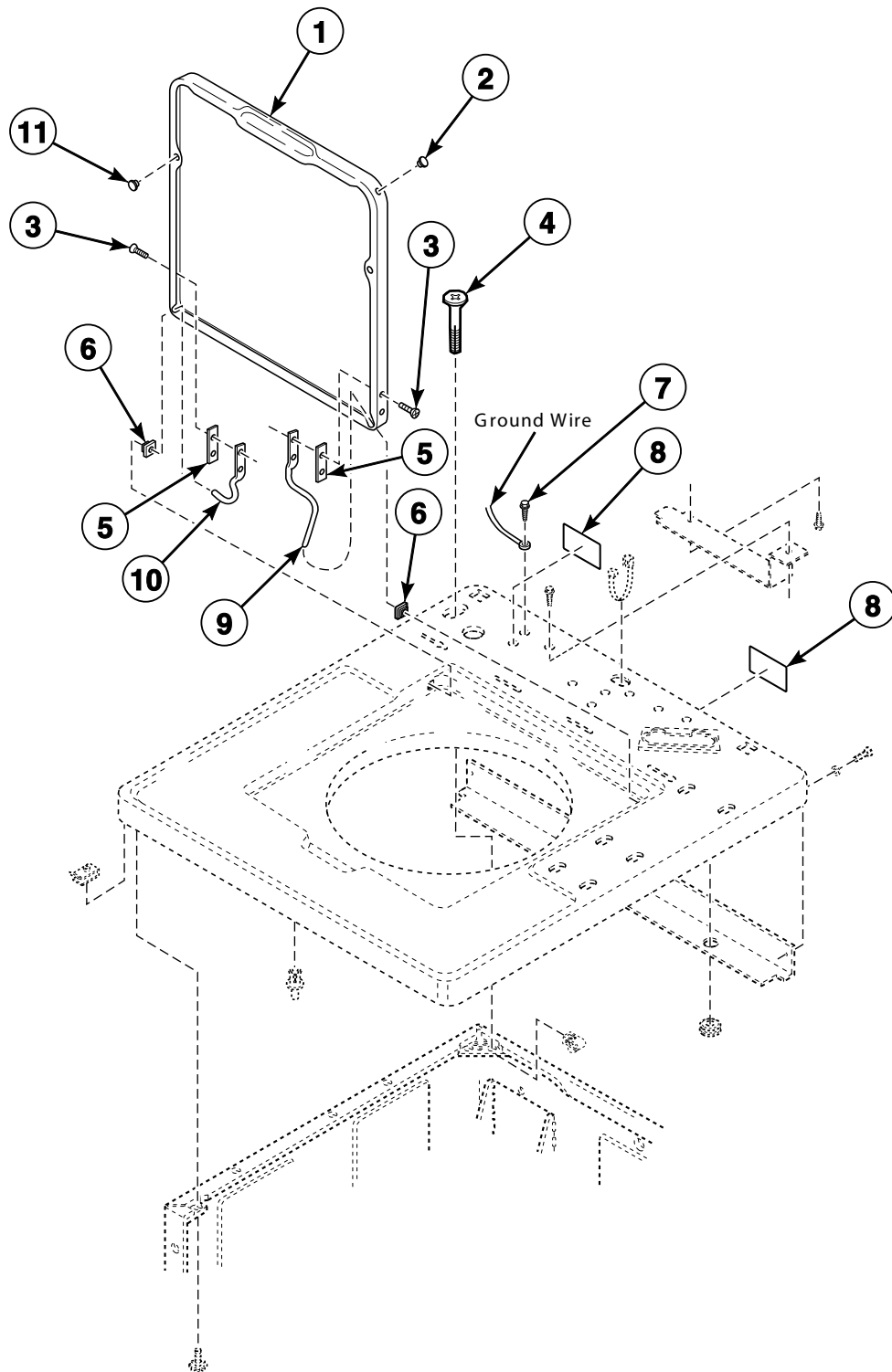
FLW963P_202731

Control Hood Security Kit

REF	PART NO.	DESCRIPTION	COMMENTS
1	904P3	Security Kit	Includes items 2-8
2	201919	Rear Panel	
3	32184	Bolt	
4	25100	Washer	
5	201918	Bracket	
6	D503688	Screw	
7	30647	Nut	
8	23951	Nut	

Lid

All Models Except GWNSX1PP302EW09, HWNSX1SP302UW09 and SWNSX1SP302EW09



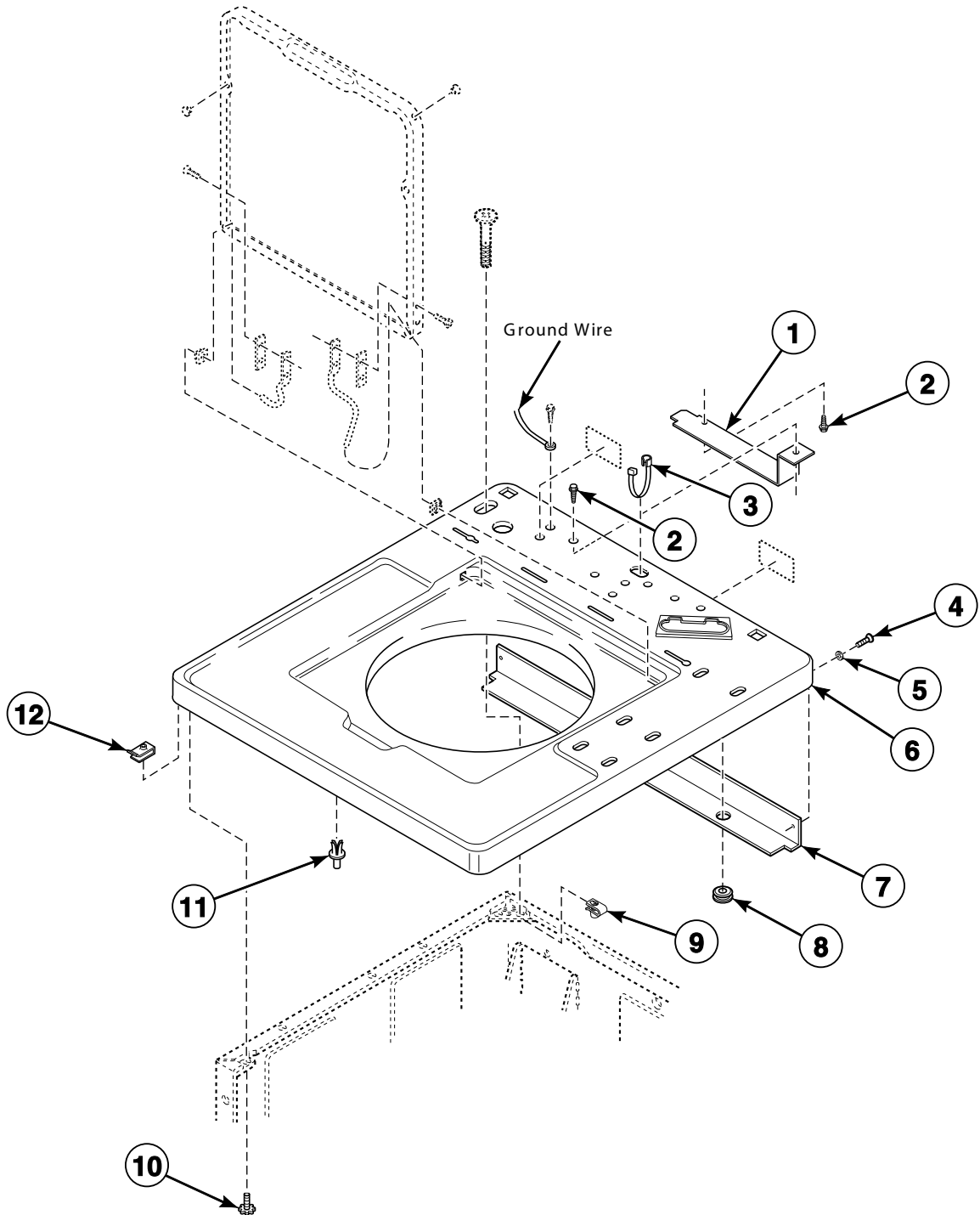
TLW1712P_202731

Lid

REF	PART NO.	DESCRIPTION	COMMENTS
1	33450DG	Lid	Models PWNBC2PP112TG02, PWNBX2PP112TG02, PWNBX2PP302AG02 and PWNSX2PP112TG02
	200891Q	Lid	Model HWNBD2SP112CQ01
	201460QP	Lid and Carton Assembly	Models HWNBC2PP112TQ01, SWNBC2PP112TQ01, SWNBC2SP112TQ01, SWNBX2SP112TQ01, SWNBX2SP302NQ22, SWNLC2HP112TQ01 and SWNLC2SP112TQ01
	201761WP	Lid	Models BWNMN2PP112CW01, BWNSX2PP112CW01, HWNBD2SP112CW01, HWNBE2SP112CW01, HWNBX2SP112CW01, HWNBY2SP112CW01, HWNLE2AP112CW01, HWNLE2HP112CW01, HWNLE2SP112CW01, HWNLX2HP112CW01, HWNLX2SP112CW01, HWNLY2HP112CW01, HWNLY2SP112CW01, HWNLMN2SP112CW01, HWNSX1SP112CW01, HWNSX2SP112CW01, SWNLMN2SP112CW01, SWNSX2SP112CW02 and UWNMN2SP112CW01
	200891W	Lid	Models HWNBX1SP122DW01, HWNBX1SP542DW01, HWNLX1SP122DW01, HWNLX1SP542DW01, SWNBX1SP122DW01, SWNBX1SP542DW01, SWNLX1SP122DW01, SWNLX1SP542DW01, SWNSX1SP302BW01 and SWNSX1SP302UW01
	201760QP	Lid	Bisque; Models HWNSX1PP112TQ01, HWNSX2PP112TQ01, SWNSX1PP112TQ01, SWNSX1SP112TQ01, SWNSX1SP302SQ01, SWNSX2PP112TQ01 and SWNSX2SP112TQ01
	201760WP	Lid	White; All other models
2	34153	Lid Plug	Plug not used on all lids
3	34337	Screw	
4	D503673	Screw	Optional; For added security
5	34338	Hinge Gasket	
6	33446	Bushing	
7	52909	Screw	
8	D500316	Warning Label	Models BWNMN2PP112CW01, BWNSX2PP112CW01, HWNBD2SP112CQ01, HWNBD2SP112CW01, HWNBE2SP112CW01, HWNBX2SP112CW01, HWNBY2SP112CW01, HWNLE2AP112CW01, HWNLE2HP112CW01, HWNLE2SP112CW01, HWNLX2HP112CW01, HWNLX2SP112CW01, HWNLY2HP112CW01, HWNLY2SP112CW01, HWNLMN2SP112CW01, HWNSX1SP112CW01, HWNSX2SP112CW01, SWNLMN2SP112CW01, SWNSX2SP112CW02 and UWNMN2SP112CW01
	F8211201	Electrical Shock Label	Models HWNBX1SP122DW01, HWNBX1SP542DW01, HWNLX1SP122DW01, HWNLX1SP542DW01, SWNBX1SP122DW01, SWNBX1SP542DW01, SWNLX1SP122DW01, SWNLX1SP542DW01 and SWNSX1SP302UW01
	D505281	Disconnect Power Warning Label	All other models
9	36437	Lid Hinge	Right
10	36438	Lid Hinge	Left
11	21685	Bumper	

Cabinet Top

All Models Except GWNSX1PP302EW09, HWNSX1SP302UW09 and SWNSX1SP302EW09



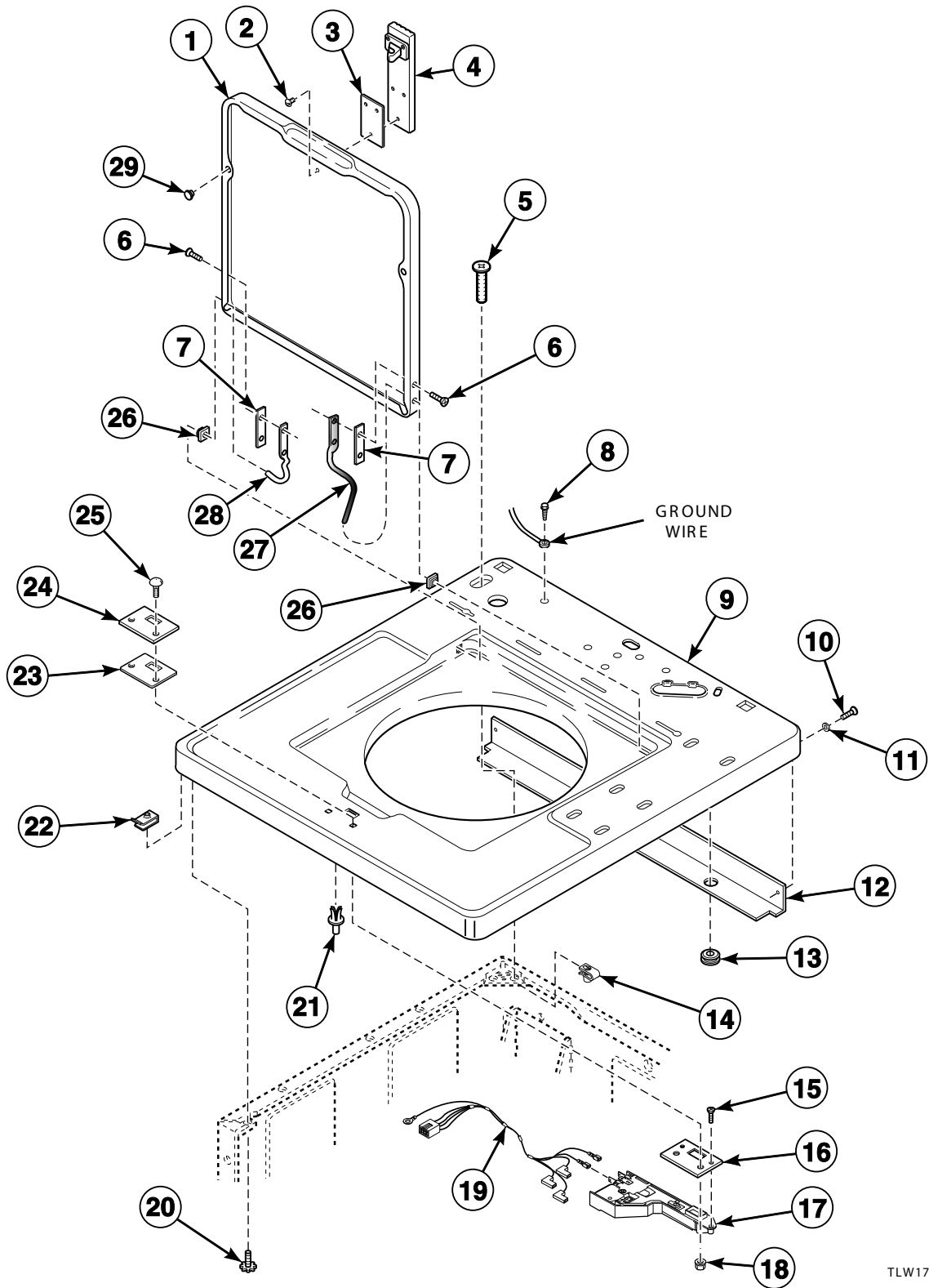
TLW1712PA_202731

Cabinet Top

REF	PART NO.	DESCRIPTION	COMMENTS
1	202083	Bracket	
2	23962	Screw	
3	38384	Strain Relief	
4	431287	Screw	Models BWNBX2PP302AW01, BWNMN2PP302AW01, GWNMN1PP302AW01, GWNMN2PP302AW01, GWNSX1PP302AW01, GWNSX2PP302AW01, PWNBX2PP302AG02, SWNBX2SP302AW01, SWNLX2SP302AW01, SWNMN1SP302AW01, SWNSX1PP302AW01, SWNSX1SP302AW01, SWNSX1SP302BW01 and SWNSX1SP302UW01
5	39249	Washer	Models BWNBX2PP302AW01, BWNMN2PP302AW01, GWNMN1PP302AW01, GWNMN2PP302AW01, GWNSX1PP302AW01, GWNSX2PP302AW01, PWNBX2PP302AG02, SWNBX2SP302AW01, SWNLX2SP302AW01, SWNMN1SP302AW01, SWNSX1PP302AW01, SWNSX1SP302AW01, SWNSX1SP302BW01 and SWNSX1SP302UW01
6	210173WP	Top Assembly	Models BWNBY2PP112TW01, BWNMN2PP112CW01, BWNMN2PP302AW01, GWNMN1PP302AW01, GWNMN2PP302AW01, GWNMN2PP302NW01, GWNMN2PP112TW01, HWNBY2PP112TW01, HWNBY2SP112CW01, HWNLY2HP112CW01, HWNLY2SP112CW01, HWNMN2PP112TW01, HWNMN2SP112CW01, NWNMN1SP542NW22, NWNMN2SP302NW22, SWNBY2PP112TW01, SWNBY2SP112TW01, SWNLY2AP112TW01, SWNLY2HP112TW01, SWNLY2PP112TW01, SWNLY2SP112TW01, SWNLY2SP302NW22, SWNMN1SP302AW01, SWNMN1SP302NW22, SWNMN1SP302SW01, SWNMN2PP112TW01, SWNMN2SP112CW01, SWNMN2SP112TW01, SWNMN2SP112TW08, SWNWY2AP112TW11, SWNWY2HP112TW11 and UWNMN2SP112CW01
	39339W	Top Assembly	Models SWNBX2SP082JW01 and SWNSX1SP302UW01
	203579DG	Top	Models PWNBC2PP112TG02, PWNBX2PP112TG02, PWNBX2PP302AG02 and PWNSX2PP112TG02
	39167QP	Top	Models HWNBC2PP112TQ01, HWNBD2SP112CQ01, HWNSX1PP112TQ01, HWNSX2PP112TQ01, SWNBC2PP112TQ01, SWNBC2SP112TQ01, SWNBX2SP112TQ01, SWNBX2SP302NQ22, SWNLC2HP112TQ01, SWNLC2SP112TQ01, SWNSX1PP112TQ01, SWNSX1SP112TQ01, SWNSX1SP302SQ01, SWNSX2PP112TQ01 and SWNSX2SP112TQ01
	39167WP	Top	All other models
7	39744	Top Shield	Models BWNBX2PP302AW01, BWNMN2PP302AW01, GWNMN1PP302AW01, GWNMN2PP302AW01, GWNSX1PP302AW01, GWNSX2PP302AW01, PWNBX2PP302AG02, SWNBX2SP302AW01, SWNLX2SP302AW01, SWNMN1SP302AW01, SWNSX1PP302AW01, SWNSX1SP302AW01, SWNSX1SP302BW01 and SWNSX1SP302UW01
8	80262	Grommet	Models BWNBX2PP302AW01, BWNMN2PP302AW01, GWNSX1PP302AW01, GWNSX2PP302AW01, PWNBX2PP302AG02, SWNBX2SP302AW01, SWNLX2SP302AW01, SWNSX1PP302AW01, SWNSX1SP302AW01 and SWNSX1SP302BW01
9	27222	Nut	Optional; For added security
10	23008	Screw	
11	56534	Support Barrel	
12	36020	Nut	

Lid, Lid Lock and Cabinet Top

Models GWNSX1PP302EW09, HWNSX1SP302UW09 and SWNSX1SP302EW09

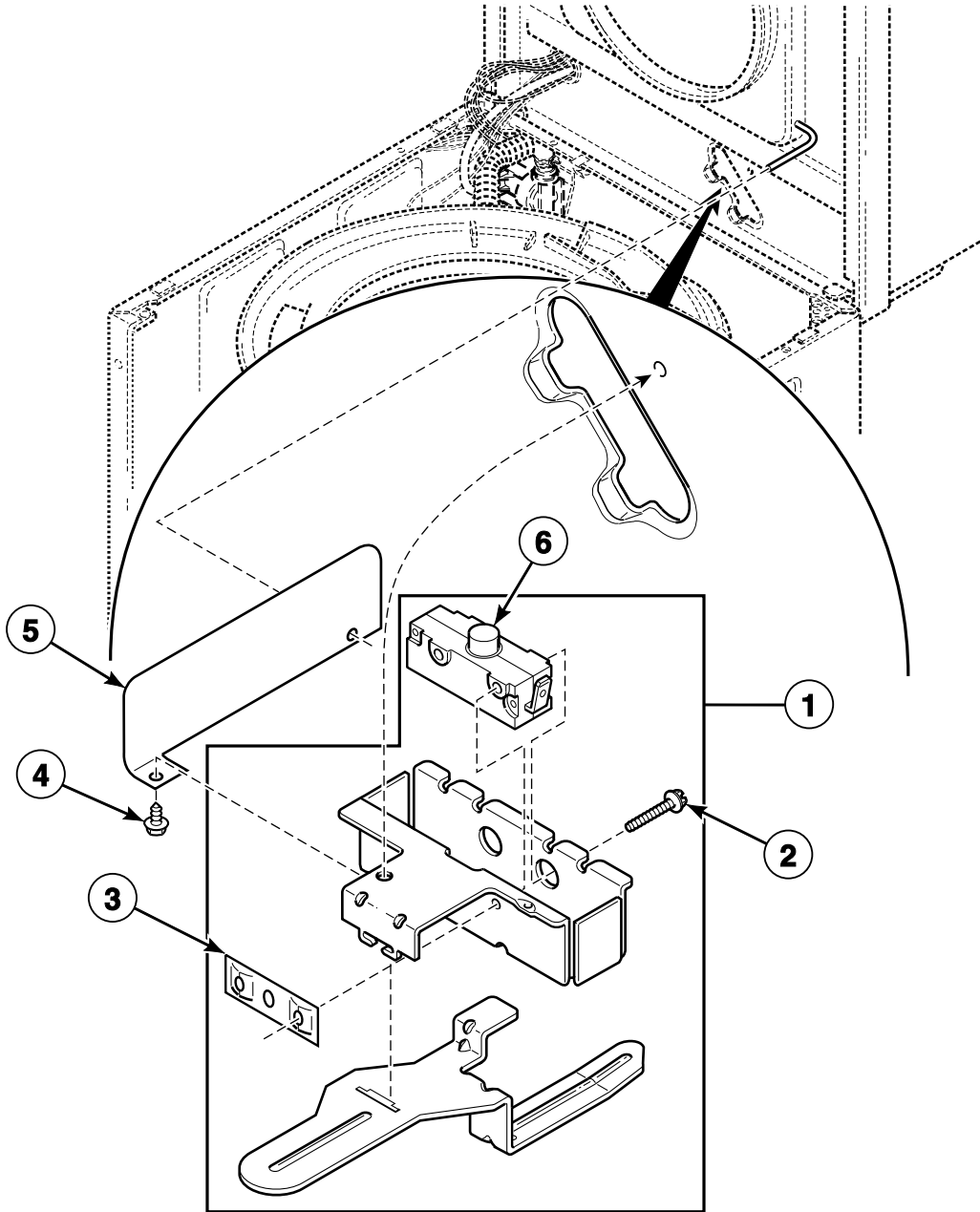


TLW1728P_202731

Lid, Lid Lock and Cabinet Top

REF	PART NO.	DESCRIPTION	COMMENTS
	837P3	Lid Lock Kit	Includes items 4, 15 and 17
1	200892WP	Lid	
2	201415	Screw	
3	201414	Door Lock Spacer	
4	201307P	Lid Lock Catch Assembly	Includes item 3
5	D503673	Screw	Optional; For added security
6	34337	Screw	
7	34338	Hinge Gasket	
8	52909	Screw	
9	39184WP	Top Assembly	
10	431287	Screw	
11	39249	Washer	
12	39744	Top Shield	
13	80262	Grommet	
14	27222	Nut	Optional; For added security
15	202623	Screw	
16	29676	Switch Mounting Plate	
17	202434	Lid Lock	
18	22001	Nut	
19	31973	Lid Lock Wire Harness Assembly	
20	23008	Screw	
21	56534	Support Barrel	
22	36020	Nut	
23	30378	Lid Lock Gasket	
24	37828P	Cover Plate	
25	32184	Bolt	
26	33446	Bushing	
27	36437	Lid Hinge	Right
28	36438	Lid Hinge	Left
29	21685	Bumper	

Lid Switch

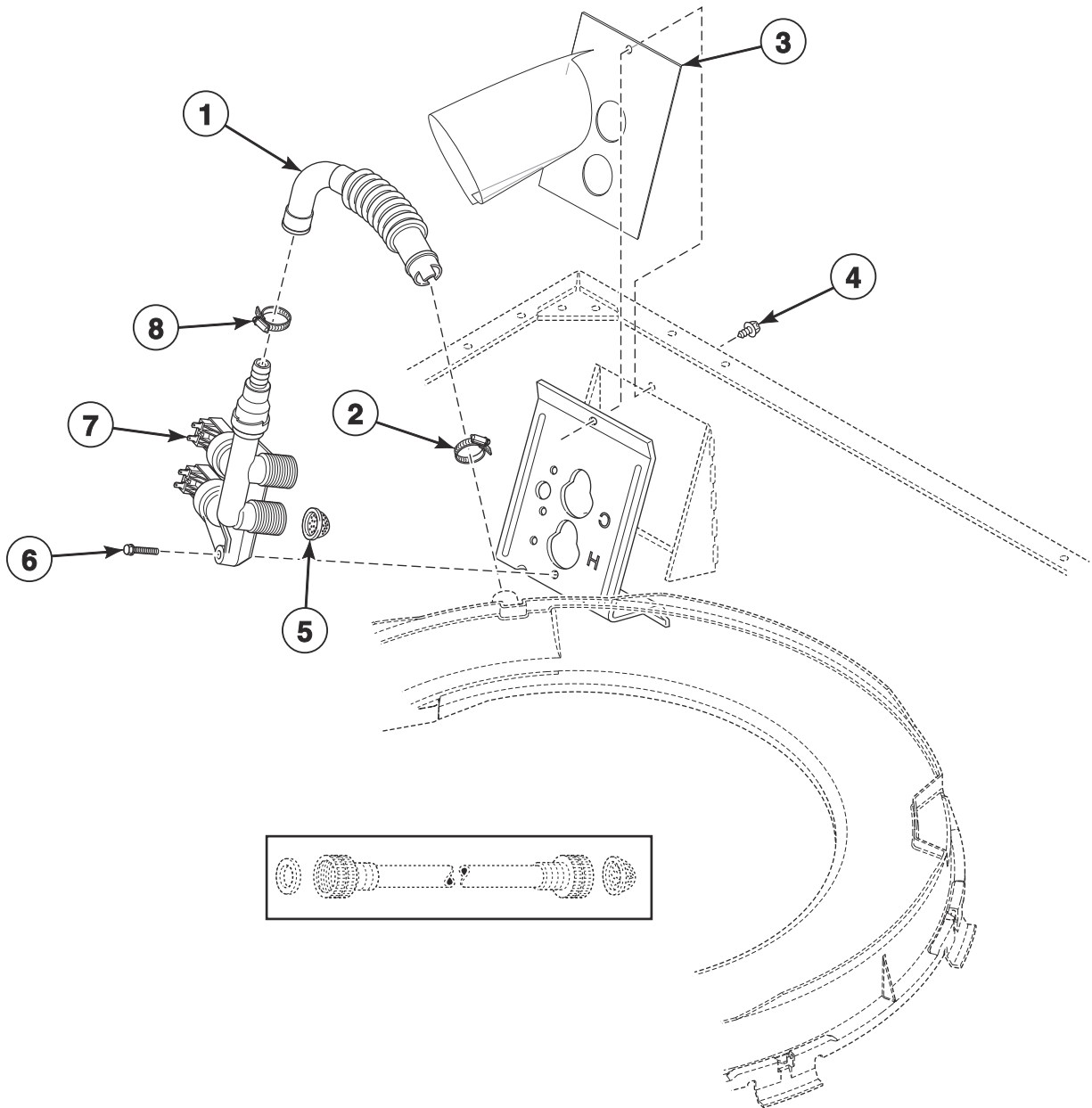


TLW1748P_202731

Lid Switch

REF	PART NO.	DESCRIPTION	COMMENTS
1	39256	Switch Assembly	Models GWNSX1PP302EW09, HWNSX1SP302UW09, SWNSX1SP302BW01, SWNSX1SP302EW09 and SWNSX1SP302UW01
	37631	Lid Switch Assembly	All other models
2	M402574	Screw	
3	M400981	Nut	
4	23962	Screw	
5	202697	Lid Switch Shield	Models BWNBX2PP302AW01, BWNMN2PP302AW01, HWNBX1SP122DW01, HWNBX1SP542DW01, HWNLX1SP122DW01, HWNLX1SP542DW01, PWNBX2PP302AG02, SWNBX1SP122DW01, SWNBX1SP542DW01, SWNBX2SP302AW01, SWNLX1SP122DW01, SWNLX1SP542DW01, SWNLX2SP302AW01, SWNMN1SP302AW01, SWNSX1PP302AW01 and SWNSX1SP302AW01
6	37830	Switch	Models GWNSX1PP302EW09, HWNSX1SP302UW09, SWNSX1SP302BW01, SWNSX1SP302EW09 and SWNSX1SP302UW01
	33445	Switch	All other models

Mixing Valve-to-Tub Cover Hose and Mixing Valve

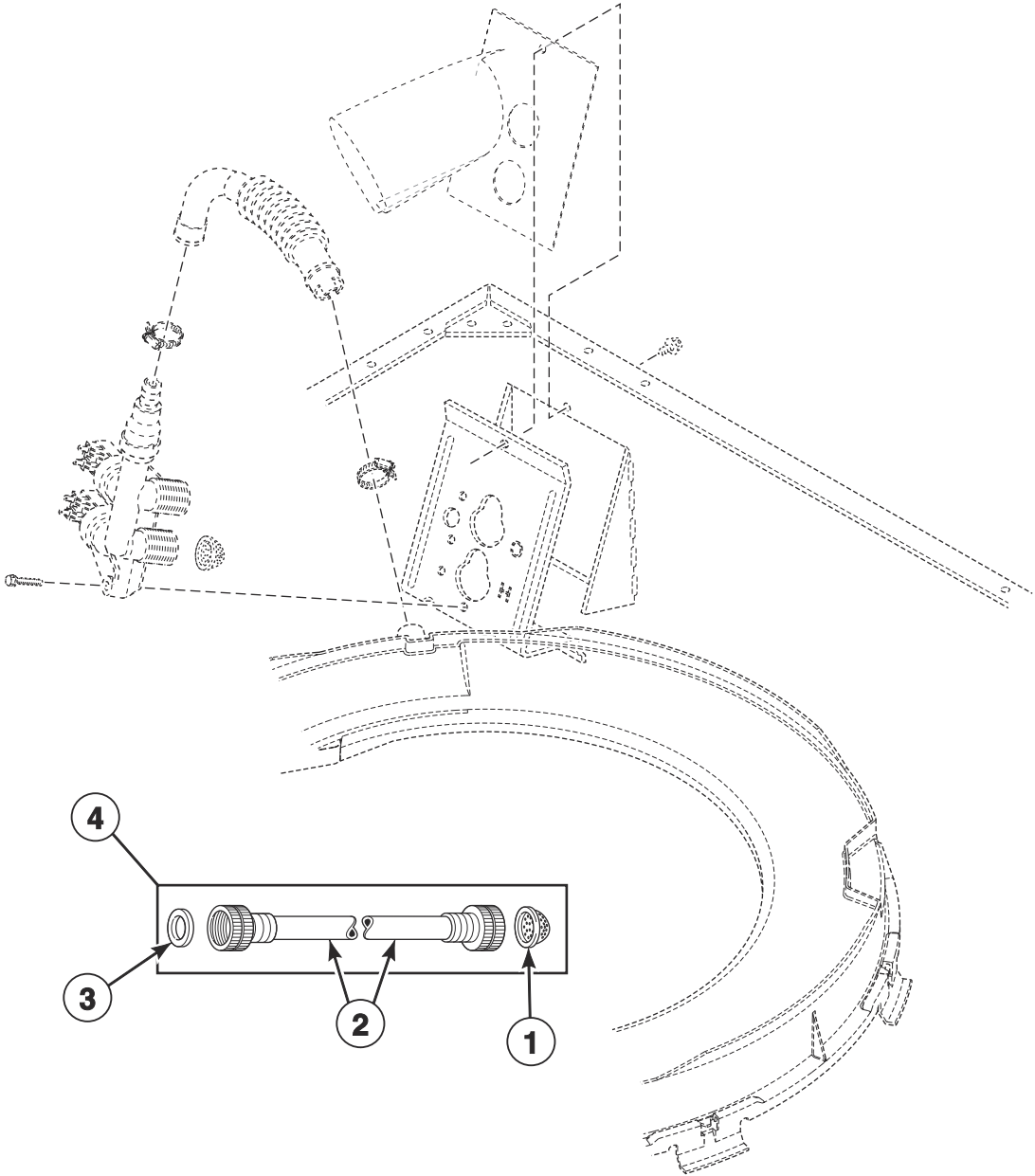


TLW1755P_202731

Mixing Valve-to-Tub Cover Hose and Mixing Valve

REF	PART NO.	DESCRIPTION	COMMENTS
1	202472	Mixing Valve-to-Tub Cover Hose	
2	800803	Hose Clamp	
3	202899	Mixing Valve Shield	Models BWNBX2PP302AW01 and BWNMN2PP302AW01
4	33562	Screw	
5	24122	Mixing Valve Screen	
6	39397	Screw	
7	202396P	Mixing Valve	Models BWNBX2PP302AW01, BWNMN2PP302AW01, SWNBX2SP302AW01, SWNLX2SP302AW01, SWNMN1SP302AW01, SWNSX1PP302AW01 and SWNSX1SP302AW01 Through Serial Nos. beginning 1412; Models GWNMN1PP302AW01, GWNMN2PP302AW01, GWNMN2PP302NW01, GWNSX1PP302AW01, GWNSX1PP302EW09, GWNSX2PP302AW01, GWNSX2PP302NW01, HWNBX1SP542DW01, HWNLX1SP542DW01, HWNSX1SP302UW09, NWNBX2SP302NW22, NWNMN1SP542NW22, NWNMN2SP302NW22, NWNSX2SP302NW22, SWNBX1SP542DW01, SWNBX2SP302NQ22, SWNBX2SP302NW22, SWNLX1SP542DW01, SWNLX1SP542NW23, SWNMN1SP302NW22, SWNMN1SP302SW01, SWNSX1SP302BW01, SWNSX1SP302EW09, SWNSX1SP302SQ01, SWNSX1SP302SW01 and TWNBX2SP302NW22
	203145P	Mixing Valve	Models BWNBX2PP302AW01, BWNMN2PP302AW01, PWNBX2PP302AG02, SWNBX2SP302AW01, SWNLX2SP302AW01, SWNMN1SP302AW01, SWNSX1PP302AW01 and SWNSX1SP302AW01 Starting Serial Nos. beginning 1412
	202395P	Mixing Valve	All other models
8	36801	Hose Clamp	

Fill Hose



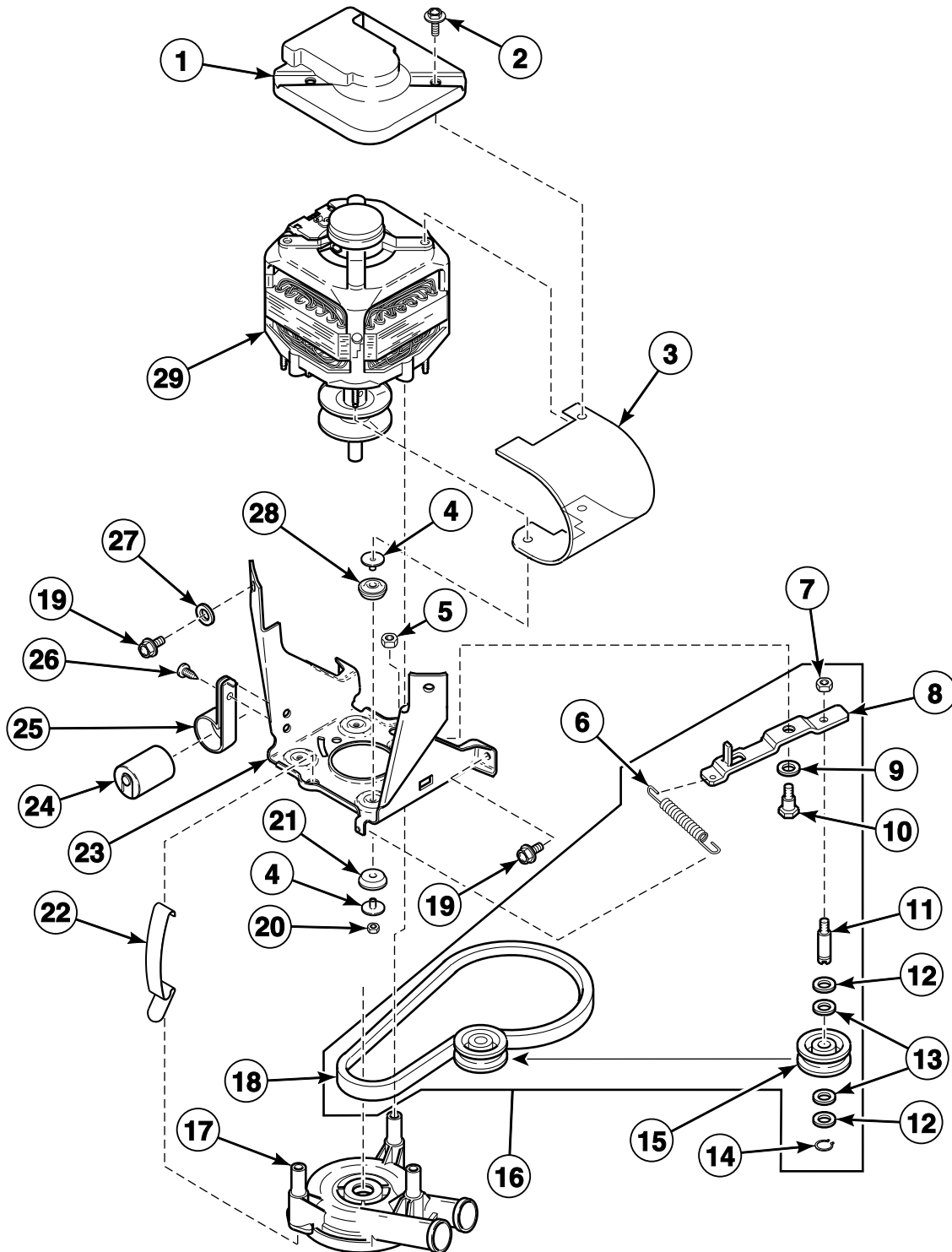
TLW1755PA_202731

Fill Hose

REF	PART NO.	DESCRIPTION	COMMENTS
1	803615	Washer	Filter screen
	802254	Washer	Flow restrictor; Water pressure reducer; Available for water pressure up to but not exceeding 120 psi
2	202799	Fill Hose	Models HWNBX1SP122DW01, HWNBX1SP542DW01, HWNLX1SP122DW01, HWNLX1SP542DW01, SWNBX1SP122DW01, SWNBX1SP542DW01, SWNLX1SP122DW01 and SWNLX1SP542DW01
	202800	Fill Hose	Models BWNBX2PP302AW01, BWNMN2PP302AW01, PWNBX2PP302AG02, SWNBX2SP302AW01, SWNLX2SP302AW01, SWNMN1SP302AW01, SWNSX1PP302AW01 and SWNSX1SP302AW01
	20617	Fill Hose	8 feet; 2 U.S. standard thread hose couplings; All other models
	20618	Fill Hose	10 feet; 2 U.S. standard thread hose couplings; All other models
	37380	Fill Hose	8 feet; 1 U.S. standard thread and 1 metric thread hose coupling; All other models
	37381	Fill Hose	10 feet; 1 U.S. standard thread and 1 metric thread hose coupling; All other models
3	20290	Washer	
4	F200116	Water Hose	5 feet; Includes items 1-3; 2 U.S. standard thread hose couplings; All models except BWNBX2PP302AW01, BWNMN2PP302AW01, GWNMN2PP302NW01, GWNSX2PP302NW01, HWNBX1SP122DW01, HWNBX1SP542DW01, HWNLX1SP122DW01, HWNLX1SP542DW01, PWNBX2PP302AG02, SWNBX1SP122DW01, SWNBX1SP542DW01, SWNBX2SP302AW01, SWNLX1SP122DW01, SWNLX1SP542DW01, SWNLX2SP302AW01, SWNMN1SP302AW01, SWNSX1PP302AW01 and SWNSX1SP302AW01
	38349P	Fill Hose Kit	5 feet; Includes 2 of item 3; 1 U.S. standard thread and 1 metric thread hose coupling; All models except BWNBX2PP302AW01, BWNMN2PP302AW01, GWNMN2PP302NW01, GWNSX2PP302NW01, HWNBX1SP122DW01, HWNBX1SP542DW01, HWNLX1SP122DW01, HWNLX1SP542DW01, PWNBX2PP302AG02, SWNBX1SP122DW01, SWNBX1SP542DW01, SWNBX2SP302AW01, SWNLX1SP122DW01, SWNLX1SP542DW01, SWNLX2SP302AW01, SWNMN1SP302AW01, SWNSX1PP302AW01 and SWNSX1SP302AW01
	203676	Hose and Washers Kit	Includes 2 of item 3; Models HWNBX1SP122DW01, HWNBX1SP542DW01, HWNLX1SP122DW01, HWNLX1SP542DW01, SWNBX1SP122DW01, SWNBX1SP542DW01, SWNLX1SP122DW01 and SWNLX1SP542DW01
	203675	Hose and Washers Kit	Includes 2 of item 3; Models BWNBX2PP302AW01, BWNMN2PP302AW01, PWNBX2PP302AG02, SWNBX2SP302AW01, SWNLX2SP302AW01, SWNMN1SP302AW01, SWNSX1PP302AW01 and SWNSX1SP302AW01

Motor, Belt, Pump and Idler Assembly (Drawing 1 of 3)

Models GWNSX1PP302EW09, HWNSX1SP302UW09, SWNSX1SP302EW09 and SWNSX1SP302UW01



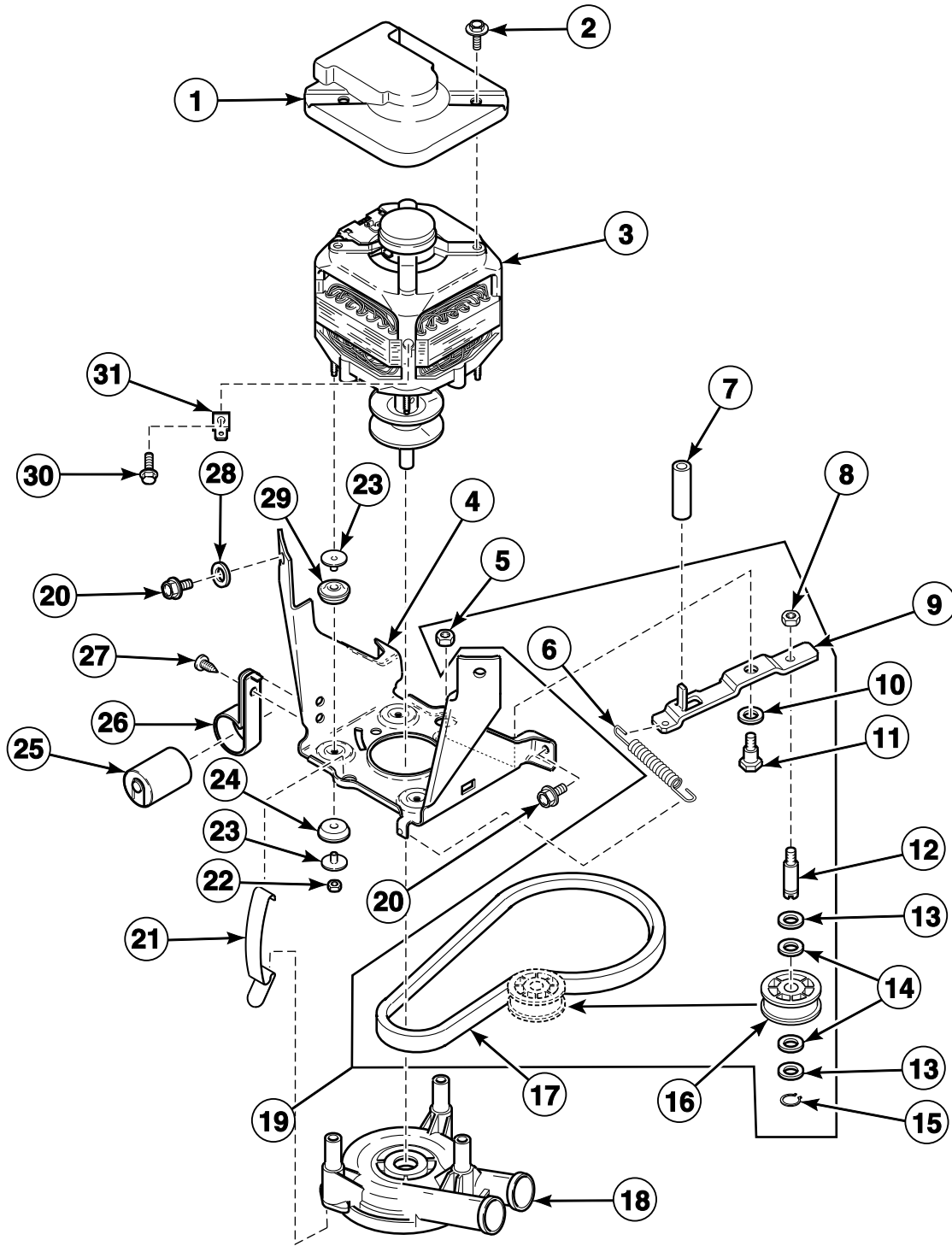
TLW1730P_202731

Motor, Belt, Pump and Idler Assembly (Drawing 1 of 3)

REF	PART NO.	DESCRIPTION	COMMENTS
1	34754	Motor Shield	
2	36639	Screw	
3	36965	Motor Side Shield	
4	38325	Isolator Post	
5	52566	Nut	
6	201189	Idler Lever Spring	
	202032	Idler Lever Spring	Use on units experiencing low RPM
7	28803	Nut	
8	38011	Idler Lever	
9	81392	Washer	
10	27229	Screw	
11	210186	Idler Shaft	
12	D504082	Washer	
13	52549	Washer	Nylatron
14	23748	Retaining Ring	
15	38225P	Idler Pulley	
16	202972	Idler Lever and Belt Kit	
17	201566P	Pump	
	201442P	Pump Assembly	Heavy duty
18	200923	Agitate and Spin Belt	
19	35369	Screw	
20	685846	Nut	
21	38396	Motor Mount	
22	210202	Spring Clip	
23	200941	Motor Mount Bracket	
24	39259P	Capacitor and Clamp Kit	
25	37535	Capacitor Clamp	
26	52909	Screw	
27	37772	Washer	
28	38395	Motor Mount	
29	835P3	Motor Kit	1 speed; 240 Volt/50 Hertz

Motor, Belt, Pump and Idler Assembly (Drawing 2 of 3)

Models BWNBX2PP302AW01, BWNMN2PP302AW01, GWNMN1PP302AW01, GWNMN2PP302AW01, GWNSX1PP302AW01, GWNSX2PP302AW01, PWNBX2PP302AG02, SWNBX2SP302AW01, SWNLX2SP302AW01, SWNLY2SP302NW22, SWNMN1SP302AW01, SWNMN1SP302SW01, SWNSX1PP302AW01, SWNSX1SP302AW01, SWNSX1SP302BW01, SWNSX1SP302SQ01 and SWNSX1SP302SW01



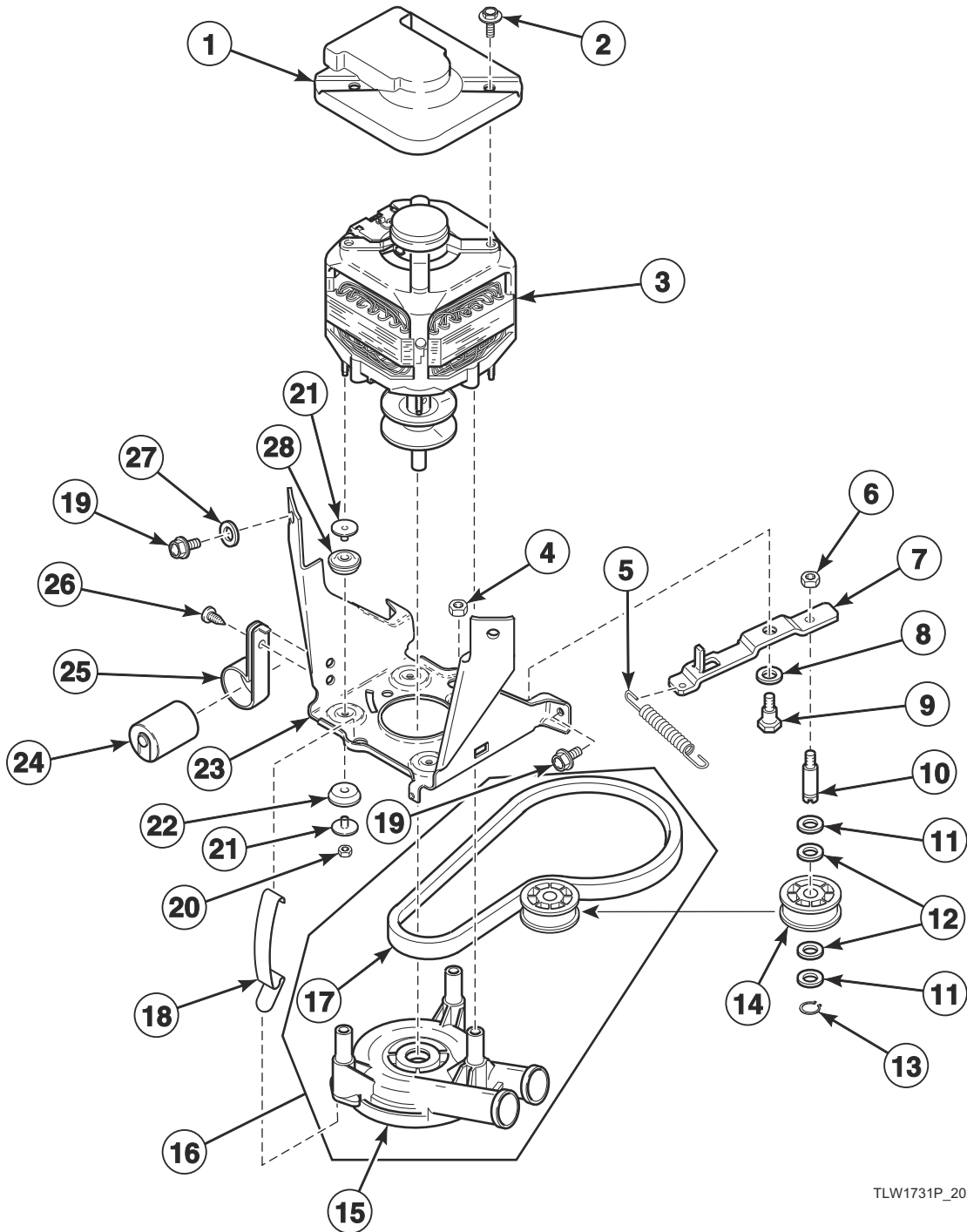
TLW1754P_202731

Motor, Belt, Pump and Idler Assembly (Drawing 2 of 3)

REF	PART NO.	DESCRIPTION	COMMENTS
1	34754	Motor Shield	
2	36639	Screw	
3	201433P	Motor Kit	240 Volt/50 Hertz; 2 speed; Models BWNBX2PP302AW01, BWNMN2PP302AW01, GWNMN2PP302AW01, GWNSX2PP302AW01, PWNBX2PP302AG02, SWNBX2SP302AW01, SWNLX2SP302AW01 and SWNLY2SP302NW22
	835P3	Motor Kit	240 Volt/50 Hertz; 1 speed; All other models
4	200941	Motor Mount Bracket	
5	52566	Nut	
6	201189	Idler Lever Spring	
	202032	Idler Lever Spring	Use on units experiencing low RPM
7	202333	Tube	Models BWNBX2PP302AW01, BWNMN2PP302AW01, PWNBX2PP302AG02, SWNBX2SP302AW01, SWNLX2SP302AW01, SWNMN1SP302AW01, SWNMN1SP302SW01, SWNSX1PP302AW01, SWNSX1SP302AW01, SWNSX1SP302SQ01 and SWNSX1SP302SW01
8	28803	Nut	
9	38011	Idler Lever	
10	81392	Washer	
11	27229	Screw	
12	210186	Idler Shaft	
13	D504082	Washer	
14	52549	Washer	Nylatron
15	23748	Retaining Ring	
16	38225P	Idler Pulley	
17	200923	Agitate and Spin Belt	
18	201566P	Pump	
	201442P	Pump Assembly	Heavy duty
19	202972	Idler Lever and Belt Kit	
20	35369	Screw	
21	210202	Spring Clip	
22	685846	Nut	
23	38325	Isolator Post	
24	38396	Motor Mount	
25	39259P	Capacitor and Clamp Kit	All models except BWNMN2PP302AW01, SWNLX2SP302AW01 and SWNLY2SP302NW22
26	37535	Capacitor Clamp	All models except BWNMN2PP302AW01, SWNLX2SP302AW01 and SWNLY2SP302NW22
27	52909	Screw	All models except BWNMN2PP302AW01, SWNLX2SP302AW01 and SWNLY2SP302NW22
28	37772	Washer	
29	38395	Motor Mount	
30	20530	Screw	
31	00177	Male Tab Terminal	

Motor, Belt, Pump and Idler Assembly (Drawing 3 of 3)

All Models Except GWNMN1PP302AW01, GWNMN2PP302AW01, GWNSX1PP302AW01, GWNSX1PP302EW09, GWNSX2PP302AW01, HWNSX1SP302UW09, PWNBX2PP302AG02, SWNBX2SP302AW01, SWNLX2SP302AW01, SWNLY2SP302NW22, SWNMN1SP302AW01, SWNMN1SP302SW01, SWNSX1PP302AW01, SWNSX1SP302AW01, SWNSX1SP302BW01, SWNSX1SP302EW09, SWNSX1SP302SQ01, SWNSX1SP302SW01 and SWNSX1SP302UW01



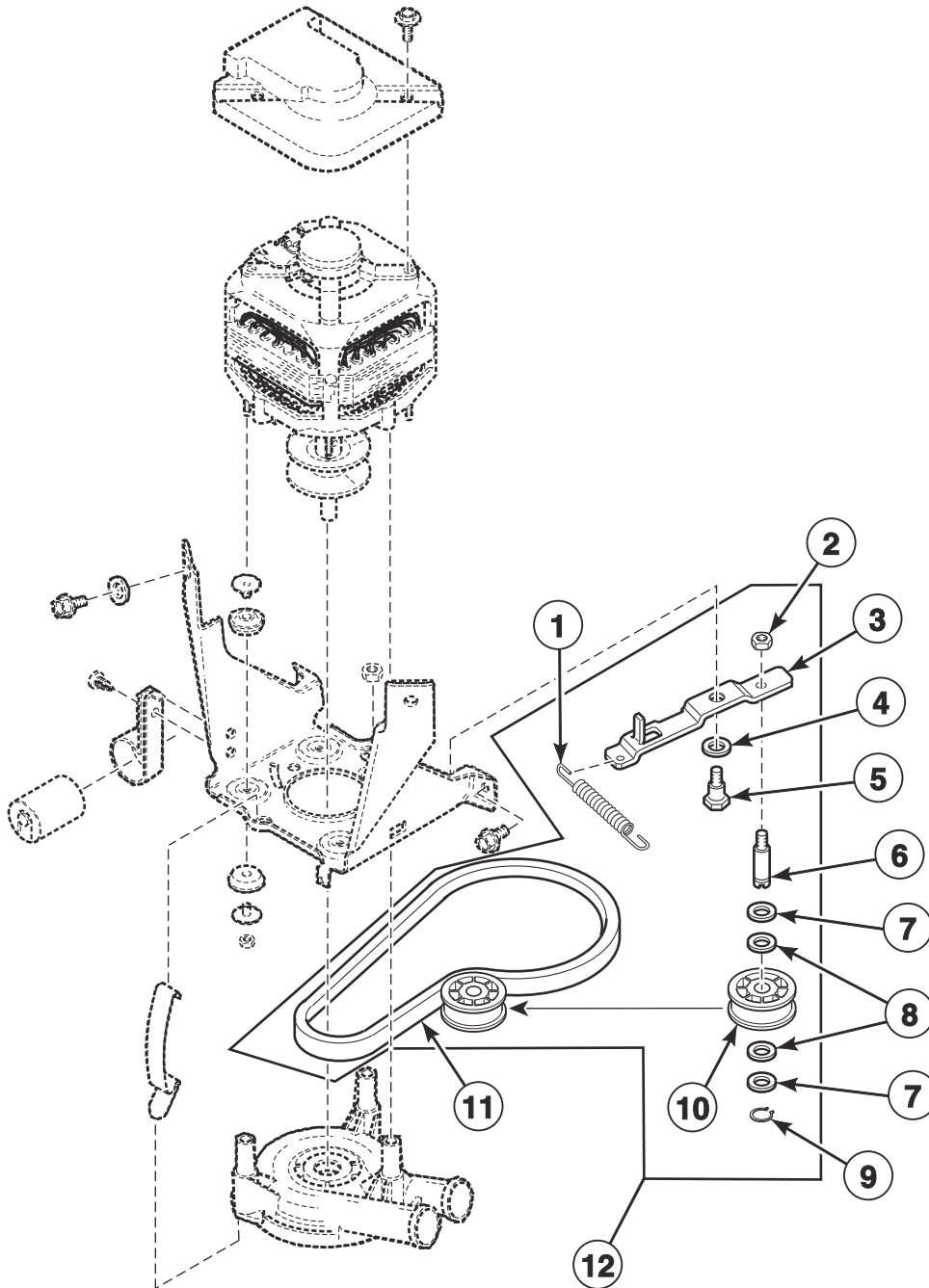
TLW1731P_202731

Motor, Belt, Pump and Idler Assembly (Drawing 3 of 3)

REF	PART NO.	DESCRIPTION	COMMENTS
1	34754	Motor Shield	
2	36639	Screw	
3	38035P	Motor Kit	115 Volt/60 Hertz; 1 speed; Models HWNSX1PP112TQ01, HWNSX1PP112TW01, HWNSX1SP112CW01, SWNSX1PP112TQ01, SWNSX1PP112TW01, SWNSX1SP112TQ01 and SWNSX1SP112TW01
	35030P	Motor Assembly	240 Volt/60 Hertz; 1 speed; Models HWNBX1SP542DW01, HWNLX1SP542DW01, NWNMN1SP542NW22, SWNBX1SP542DW01, SWNLX1SP542DW01, SWNLX1SP542NW23 and SWNSX1SP542NW22
	202457	Motor Assembly	Models HWNBX1SP122DW01, HWNLX1SP122DW01, SWNBX1SP122DW01 and SWNLX1SP122DW01
	835P3	Motor Kit	240 Volt/50 Hertz; 1 speed; Models SWNMN1SP302NW22 and SWNSX1SP302NW22
	201433P	Motor Kit	240 Volt/50 Hertz; 2 speed; Models GWNMN2PP302NW01, GWNSX2PP302NW01, NWNBX2SP302NW22, NWNMN2SP302NW22, NWNSX2SP302NW22, SWNBX2SP302NQ22, SWNBX2SP302NW22 and TWNBX2SP302NW22
	38034P	Motor Kit	2 speed; All other models
4	52566	Nut	
5	201189	Idler Lever Spring	
	202032	Idler Lever Spring	Use on units experiencing low RPM
6	28803	Nut	
7	38011	Idler Lever	
8	81392	Washer	
9	27229	Screw	
10	210186	Idler Shaft	
11	D504082	Washer	
12	52549	Washer	Nylatron
13	23748	Retaining Ring	
14	38225P	Idler Pulley	
15	201566P	Pump	
	201442P	Pump Assembly	Heavy duty
16	RB150003	Belt and Pump Kit	Includes items 15 and 17 (38174 Belt)
17	200923	Agitate and Spin Belt	Models GWNMN2PP302NW01, GWNSX2PP302NW01, NWNBX2SP302NW22, NWNMN2SP302NW22, NWNSX2SP302NW22, SWNBX2SP302NQ22, SWNBX2SP302NW22, SWNMN1SP302NW22, SWNSX1SP302NW22 and TWNBX2SP302NW22
	38174	Agitate and Spin Belt	All other models
18	210202	Spring Clip	
19	35369	Screw	
20	35423	Nut	
21	38325	Isolator Post	
22	38396	Motor Mount	
23	200941	Motor Mount Bracket	
24	39259P	Capacitor and Clamp Kit	Models SWNMN1SP302NW22 and SWNSX1SP302NW22
	37377	Capacitor	All models except GWNMN2PP302NW01, GWNSX2PP302NW01, HWNBX1SP542DW01, HWNLX1SP542DW01, NWNBX2SP302NW22, NWNMN1SP542NW22, NWNMN2SP302NW22, NWNSX2SP302NW22, SWNBX1SP542DW01, SWNBX2SP302NQ22, SWNBX2SP302NW22, SWNLX1SP542DW01, SWNMN1SP302NW22, SWNSX1SP302NW22, SWNSX1SP542NW22 and TWNBX2SP302NW22
25	37535	Capacitor Clamp	All models except HWNBX1SP542DW01, HWNLX1SP542DW01, SWNBX1SP542DW01, SWNLX1SP542DW01 and TWNBX2SP302NW22
26	52909	Screw	
27	37772	Washer	
28	38395	Motor Mount	

Idler Lever Kits

All Models Except GWNMN1PP302AW01, GWNMN2PP302AW01, GWNSX1PP302AW01, GWNSX1PP302EW09, GWNSX2PP302AW01, HWNSX1SP302UW09, PWNBX2PP302AG02, SWNBX2SP302AW01, SWNLX2SP302AW01, SWNLY2SP302NW22, SWNMN1SP302AW01, SWNMN1SP302SW01, SWNSX1PP302AW01, SWNSX1SP302AW01, SWNSX1SP302BW01, SWNSX1SP302EW09, SWNSX1SP302SQ01, SWNSX1SP302SW01 and SWNSX1SP302UW01

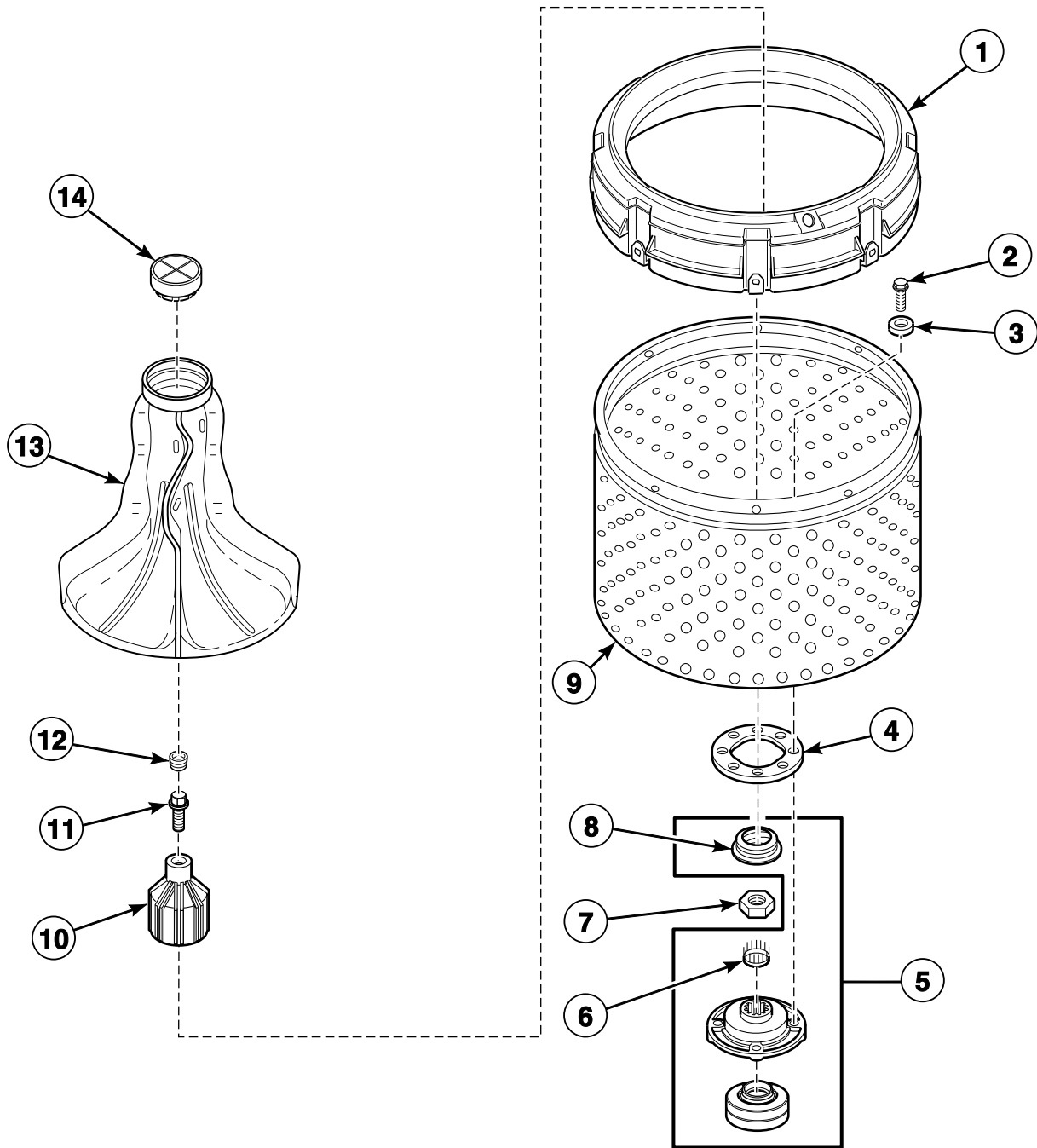


TLW1731PA_202731

Idler Lever Kits

REF	PART NO.	DESCRIPTION	COMMENTS
1	202032	Idler Lever Spring	
2	28803	Nut	
3	38011	Idler Lever	
4	81392	Washer	
5	27229	Screw	
6	210186	Idler Shaft	
7	D504082	Washer	
8	52549	Washer	Nylatron
9	23748	Retaining Ring	
10	38225P	Idler Pulley	
11	200923	Agitate and Spin Belt	Models GWNMN2PP302NW01, GWNSX2PP302NW01, NWNBX2SP302NW22, NWNMN2SP302NW22, NWNSX2SP302NW22, SWNBX2SP302NQ22, SWNBX2SP302NW22, SWNMN1SP302NW22, SWNSX1SP302NW22 and TWNBX2SP302NW22
	38174	Agitate and Spin Belt	All other models
12	202972	Idler Lever and Belt Kit	Models GWNMN2PP302NW01, GWNSX2PP302NW01, NWNBX2SP302NW22, NWNMN2SP302NW22, NWNSX2SP302NW22, SWNBX2SP302NQ22, SWNBX2SP302NW22, SWNMN1SP302NW22, SWNSX1SP302NW22 and TWNBX2SP302NW22; Includes items 1-11
	959P3	Idler Lever Kit	All other models; Includes items 1-11

Agitator, Drive Bell, Hub and Lip Seal Kit and Washtub

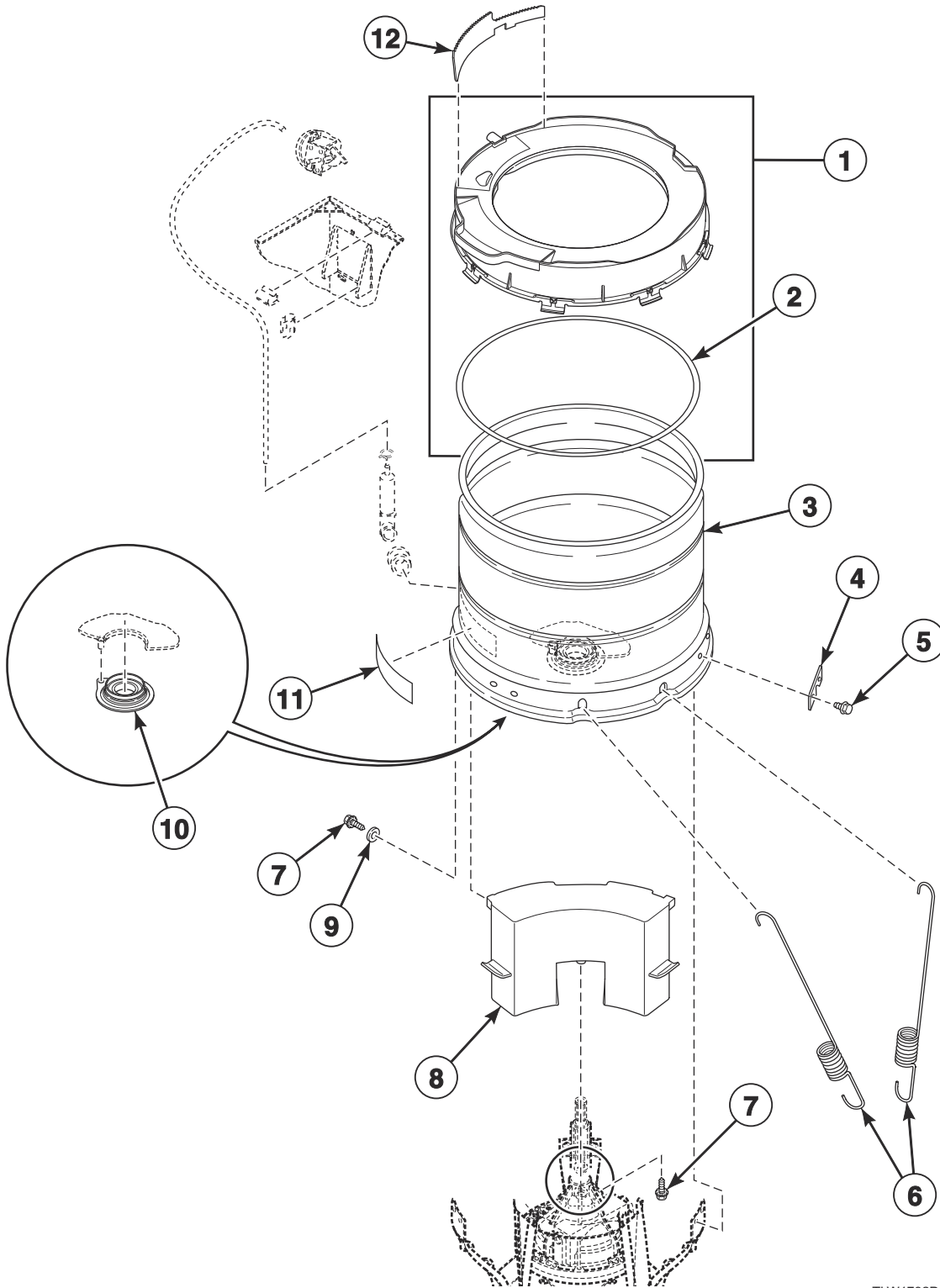


TLW1483P_202731

Agitator, Drive Bell, Hub and Lip Seal Kit and Washtub

REF	PART NO.	DESCRIPTION	COMMENTS
1	39837	Balance Ring Assembly	
2	27202	Screw	
3	28094	Washer	Rubber; Use with porcelain washtub
4	39122	Washtub Gasket	
5	766P3A	Hub and Lip Seal Kit	DO NOT use any sealant other than 200996P Sealant; Includes item 10 and installation tool
	200996P	Sealant	Use with hub and lip seal kit
6	29728	Spline Insert	
7	29220	Nut	
8	36425	Bell and Transmission Tube Seal	
	36765P	Grease	Use with bell and transmission tube seal
9	39250P	Tub Kit	Blue porcelain; Models BWNBC2PP112TW01, BWNBX2PP112TW01, BWNBX2PP302AW01, BWNBY2PP112TW01, BWNMN2PP112CW01, BWNMN2PP302AW01, BWNSX2PP112CW01, GWNMN1PP302AW01, GWNMN2PP302AW01, GWNMN2PP302NW01, GWNMN2PP112TW01, GWNSX1PP302AW01, GWNSX1PP302EW09, GWNSX2PP112TW01, GWNSX2PP302AW01, GWNSX2PP302NW01, HWNBC2PP112TQ01, HWNBC2PP112TW01, HWNBY2PP112TW01, HWNMN2PP112TW01, HWNSX1PP112TQ01, HWNSX1PP112TW01, HWNSX2PP112TQ01, HWNSX2PP112TW01, PWNBC2PP112TG02, PWNBX2PP112TG02, PWNBX2PP302AG02, PWNSX2PP112TG02, SWNBC2PP112TQ01, SWNBC2PP112TW01, SWNBC2PP112TW02, SWNBX2PP112TW02, SWNBY2PP112TW01, SWNLC2PP112TW01, SWNLC2PP112TW02, SWNLX2PP112TW02, SWNLY2PP112TW01, SWNMN2PP112TW01, SWNSX1PP112TQ01, SWNSX1PP112TW01, SWNSX1PP302AW01, SWNSX2PP112TQ01, SWNSX2PP112TW01 and SWNSX2PP112TW02
	39252P	Tub Assembly	Models HWNLE2AP112CW01, SWNLC2AP112TW01, SWNLC2AP112TW02, SWNLX2AP112TW02, SWNLY2AP112TW01 and SWNWY2AP112TW11
	39387P	Tub Assembly	Models HWNLE2HP112CW01, HWNLX2HP112CW01, HWNLY2HP112CW01, SWNLC2HP112TQ01, SWNLC2HP112TW01, SWNLC2HP112TW02, SWNLX2HP112TW01, SWNLX2HP112TW02, SWNLY2HP112TW01 and SWNWY2HP112TW11
	719P3	Washtub Kit	Stainless steel; All other models
10	39508P	Drive Bell and Seal Kit	Includes items 8, 11 and 12
11	39432	Screw	
12	36511	Bell Plug	
13	36507	Flex Vane Agitator	Models SWNMN1SP302SW01, SWNSX1SP302SQ01 and SWNSX1SP302SW01
	33174	Agitator	All other models
14	36515	Agitator Cap	

Outer Tub, Cover, Bearing and Seal Housing and Counterweight

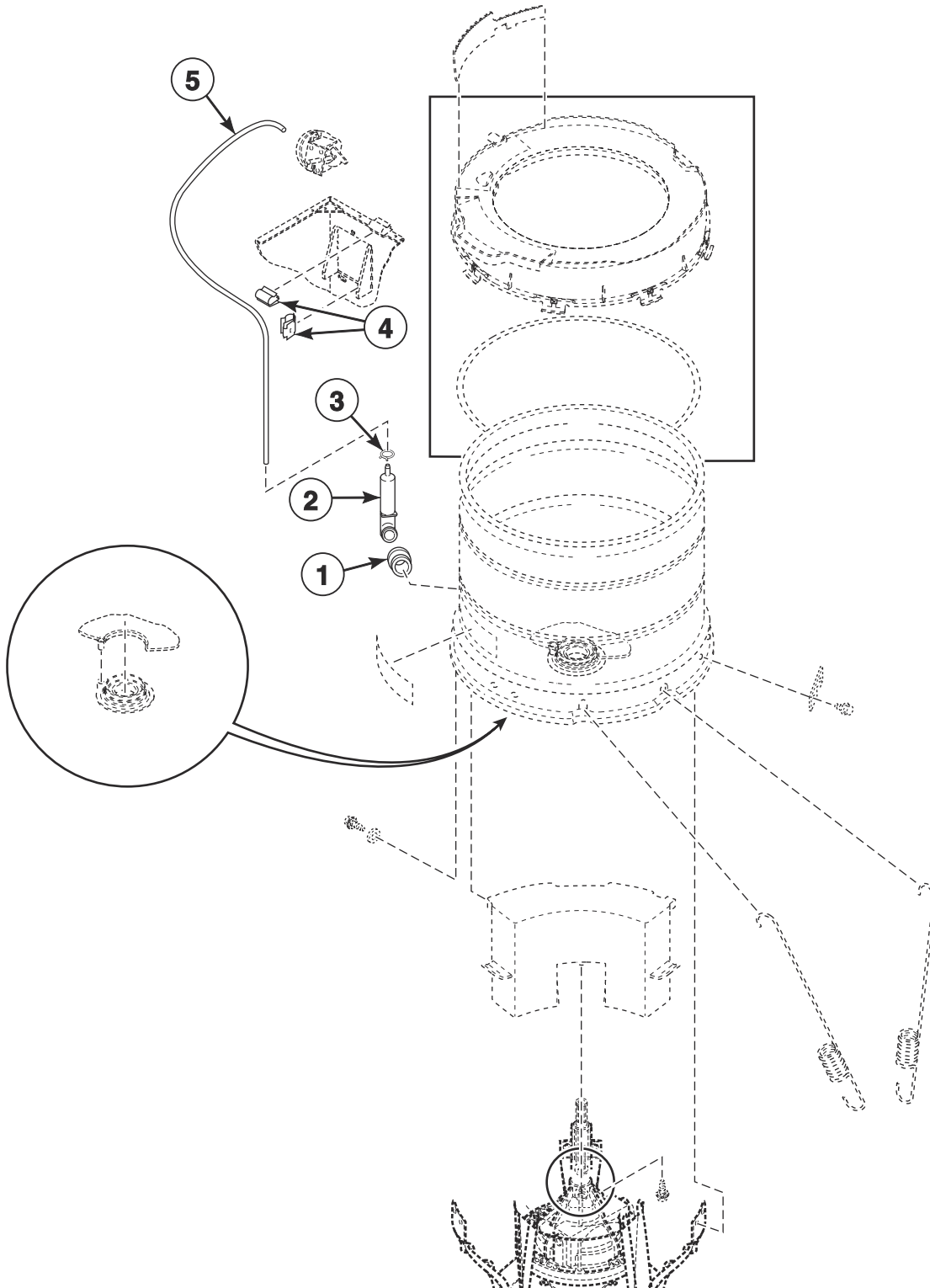


TLW1732P_202731

Outer Tub, Cover, Bearing and Seal Housing and Counterweight

REF	PART NO.	DESCRIPTION	COMMENTS
1	203154	Tub Cover Assembly	Includes check valve; Models BWNBX2PP302AW01, BWNMN2PP302AW01, SWNBX2SP302AW01, SWNLX2SP302AW01, SWNMN1SP302AW01, SWNSX1PP302AW01 and SWNSX1SP302AW01; Through Serial Nos. beginning 1412
	202461	Tub Cover Assembly	Models BWNBX2PP302AW01, BWNMN2PP302AW01, SWNBX2SP302AW01, SWNLX2SP302AW01, SWNMN1SP302AW01, SWNSX1PP302AW01 and SWNSX1SP302AW01 starting Serial Nos. beginning 1412; All other models
2	38359	Tub Cover Gasket	
3	200510P	Outer Tub Assembly	Models HWNLE2HP112CW01, HWNLX2HP112CW01, HWNLY2HP112CW01, SWNLC2AP112TW01, SWNLC2AP112TW02, SWNLC2HP112TQ01, SWNLC2HP112TW01, SWNLC2HP112TW02, SWNLX2AP112TW02, SWNLX2HP112TW01, SWNLX2HP112TW02, SWNLY2AP112TW01, SWNLY2HP112TW01, SWNLY2HP112TW01 and SWNLY2HP112TW11
	200511P	Outer Tub Assembly	All other models
4	27926	Leg Plate	
5	35369	Screw	
6	201521	Leg Spring	Marked with green paint. Use to replace the two rear springs closest to counterweight; Models BWNBX2PP302AW01, BWNMN2PP302AW01, GWNMN2PP302AW01, GWNMN2PP302NW01, GWNSX2PP302AW01, GWNSX2PP302NW01, NWNBX2SP302NW22, NWNMN2SP302NW22, NWNSX2SP302NW22, PWNBX2PP302AG02, SWNBX2SP302AW01, SWNBX2SP302NQ22, SWNBX2SP302NW22, SWNLX2SP302AW01, SWNLY2SP302NW22 and TWNBX2SP302NW22
	37576	Leg Spring	Models HWNLE2HP112CW01, HWNLX2HP112CW01, HWNLY2HP112CW01, SWNLC2AP112TW01, SWNLC2AP112TW02, SWNLC2HP112TQ01, SWNLC2HP112TW01, SWNLC2HP112TW02, SWNLX2AP112TW02, SWNLX2HP112TW01, SWNLX2HP112TW02, SWNLY2AP112TW01, SWNLY2HP112TW01, SWNLY2HP112TW01 and SWNLY2HP112TW11
	37575	Leg Spring	All other models
7	39566	Screw	
8	38769	Counterweight Assembly	
9	39249	Washer	
10	766P3A	Hub and Lip Seal Kit	
	200996P	Sealant	Use with hub and lip seal kit
11	D500314	Warning Label	Models BWNMN2PP112CW01, BWNSX2PP112CW01, HWNBD2SP112CQ01, HWNBD2SP112CW01, HWNBE2SP112CW01, HWNBX2SP112CW01, HWNBY2SP112CW01, HWNLE2AP112CW01, HWNLE2HP112CW01, HWNLE2SP112CW01, HWNLX2HP112CW01, HWNLX2SP112CW01, HWNLY2HP112CW01, HWNLY2SP112CW01, HWNMN2SP112CW01, HWNSX1SP112CW01, HWNSX2SP112CW01, SWNLC2AP112TW01, SWNLC2AP112TW02, SWNLC2HP112TW01, SWNLC2HP112TW02, SWNLX2AP112TW02, SWNLX2HP112TW01, SWNLX2HP112TW02, SWNLY2AP112TW01, SWNLY2HP112TW01, SWNLY2HP112TW01, SWNMN2SP112CW01, SWNSX2SP112CW02 and UWNMN2SP112CW01
	F8211301	Pinched Fingers Label	Models GWNSX1PP302EW09, HWNBX1SP122DW01, HWNBX1SP542DW01, HWNLX1SP122DW01, HWNLX1SP542DW01, HWNSX1SP302UW09, SWNBX1SP122DW01, SWNBX1SP542DW01, SWNLX1SP122DW01, SWNLX1SP542DW01, SWNSX1SP302EW09 and SWNSX1SP302UW01
	D500049	Warning Label	All other models
12	202695P	Splash Shield	

Pressure Hose and Bulb



TLW1732PA_202731

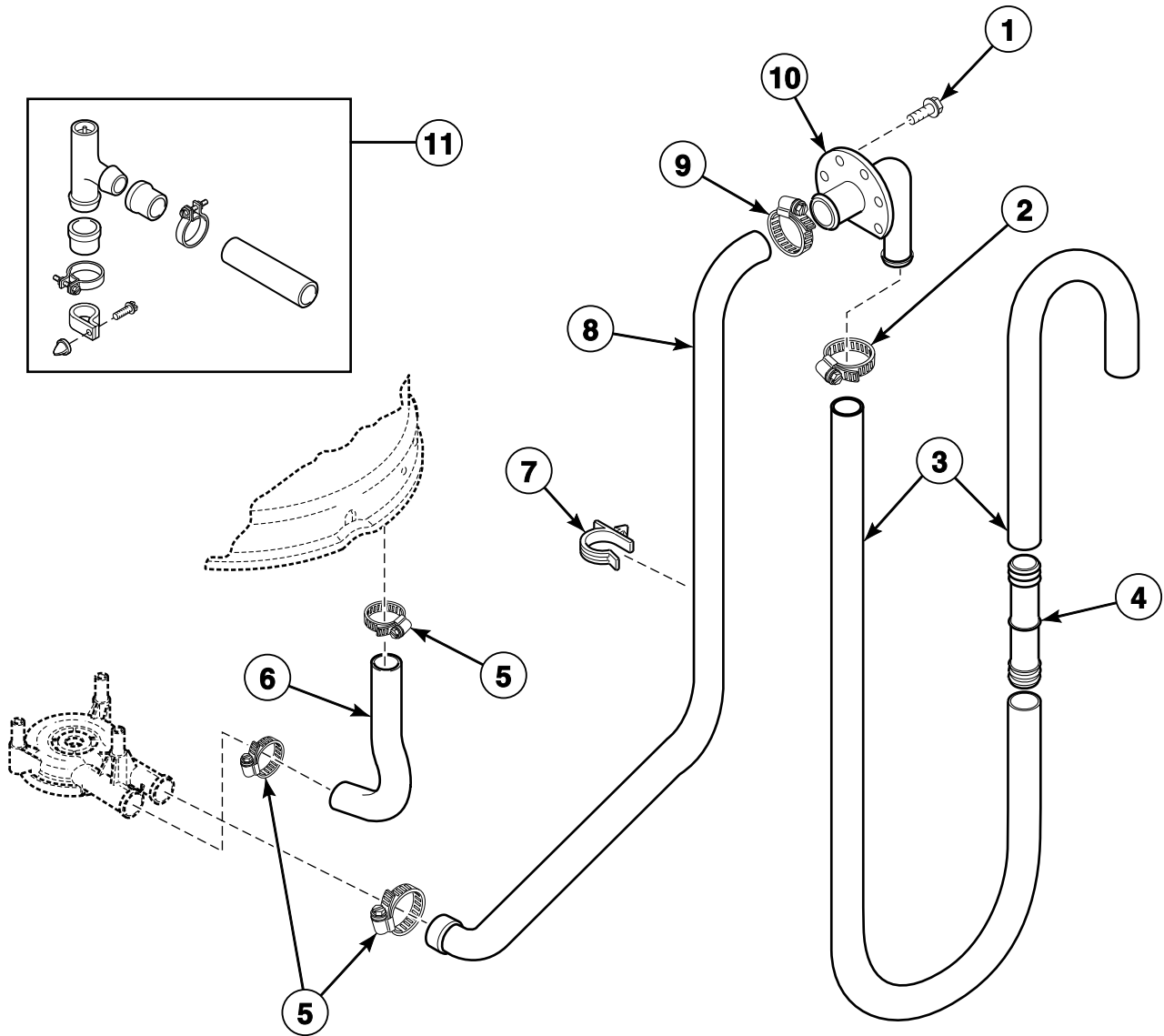
Pressure Hose and Bulb

REF	PART NO.	DESCRIPTION	COMMENTS
1	29175	Grommet	
2	30907	Pressure Bulb	
3	39282	Hose Clamp	
4	36985	Hose Clip	
5	202699	Tubing	Models HWNLE2AP112CW01, HWNLE2HP112CW01, HWNLX2HP112CW01, HWNLY2HP112CW01, SWNLC2AP112TW01, SWNLC2AP112TW02, SWNLC2HP112TQ01, SWNLC2HP112TW01, SWNLC2HP112TW02, SWNLX2AP112TW02, SWNLX2HP112TW01, SWNLX2HP112TW02, SWNLY2AP112TW01, SWNLY2HP112TW01, SWNLY2AP112TW11 and SWNLY2HP112TW11
	203296	Tubing	Models HWNLE2SP112CW01, HWNLX1SP122DW01, HWNLX1SP542DW01, HWNLX2SP112CW01, HWNLY2SP112CW01, SWNLC2PP112TW01, SWNLC2PP112TW02, SWNLC2SP112TQ01, SWNLC2SP112TW01, SWNLC2SP112TW02, SWNLX1SP122DW01, SWNLX1SP542DW01, SWNLX1SP542NW23, SWNLX2PP112TW02, SWNLX2SP112TW01, SWNLX2SP112TW02, SWNLX2SP302AW01, SWNLY2PP112TW01, SWNLY2SP112TW01 and SWNLY2SP302NW22
	202700	Tubing	All other models

Transmission Assembly

REF	PART NO.	DESCRIPTION	COMMENTS
	27604P	Anti-Seize Compound	Apply to the smooth area of both the upper and lower transmission shafts
	37577P	Transmission Sealant	Use between transmission case and cover
1	36570P	Output Shaft	
2	201212	Hub Spacer	
3	RB150004	Transmission Rebuild Kit	Includes 37577P Transmission Sealant
4	27243P	Transmission Oil	1 fill
5	26577	Gear and Stud Assembly	
6	201773	Screw	
7	26509	Washer	
8	37405	Drive Pinion	
9	38268P	Input Shaft	
10	32814	Screw	
11	37471	Transmission Cover Assembly	
12	37404P	Reduction Gear	
13	29260	Washer	
14	29273	Screw	
15	38165P	Transmission Assembly	
16	26493	Slide	
17	201664	Rack	
18	27197	Retaining Ring	
19	27003	Agitator Pinion	
20	35092	Washer	
21	38864	Gear Sleeve	
22	33223P	Transmission Case Assembly	

Drain Hoses and Siphon Break Kit



W354P_202731

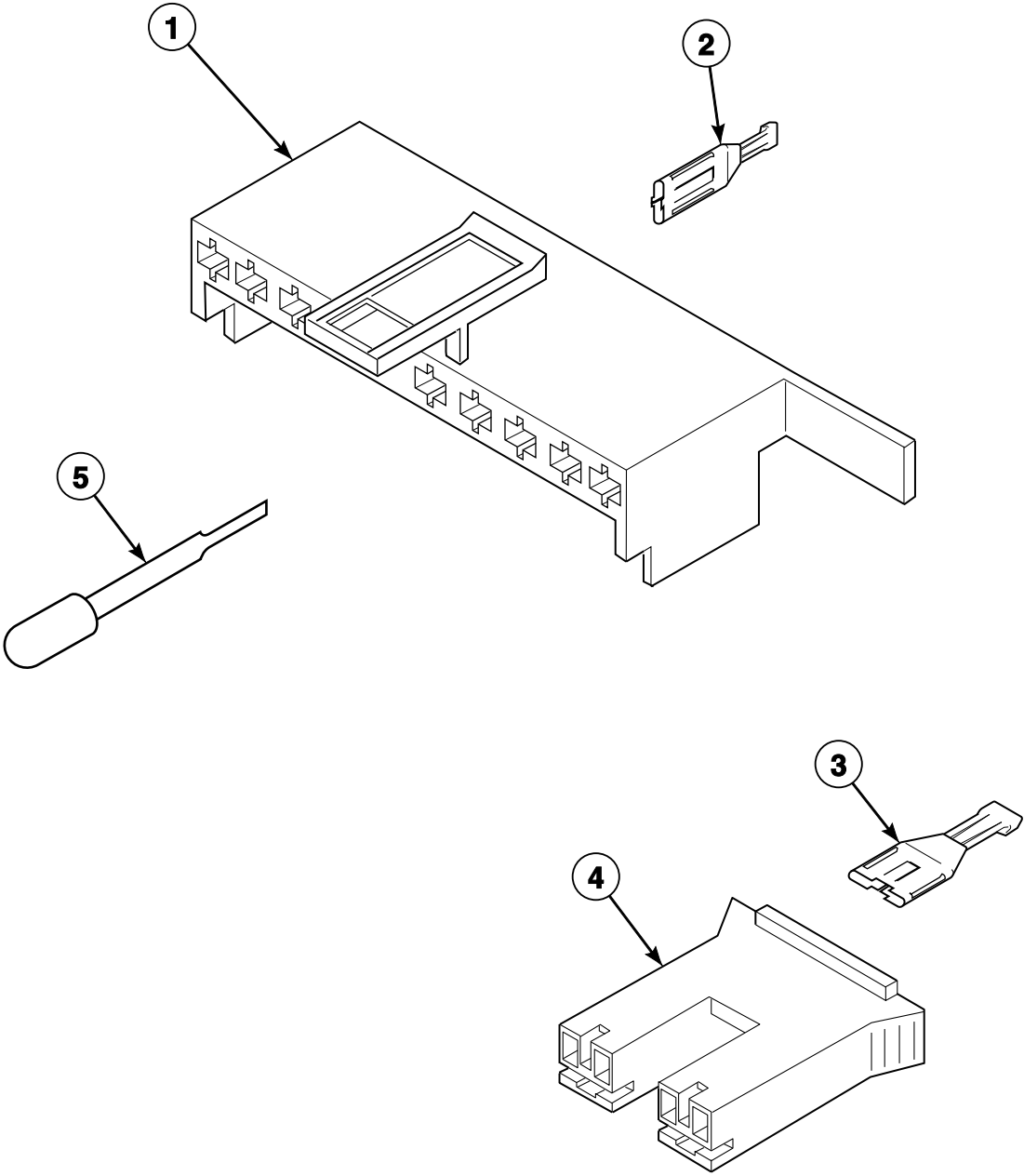
Drain Hoses and Siphon Break Kit

REF	PART NO.	DESCRIPTION	COMMENTS
	451P3	Drain Extension Kit	
1	52909	Screw	
2	20211	Hose Clamp	
3	28293	Drain Hose	
4	25863	Hose Coupler	If drain hose must be shortened, cut hose between molded end and molded elbow; Use (1) 25863 Hose Coupler to splice hose
5	F200204	Hose Clamp	
6	38351	Tub-to-Pump Hose	
7	39177	Hose Retainer Clip	
8	38273	Pump-to-Drain Elbow Hose	
9	20391	Hose Clamp	
10	35766	Drain Hose Elbow	Models BWNBX2PP302AW01, BWNMN2PP302AW01, GWNMN1PP302AW01, GWNMN2PP302AW01, GWNMN2PP302NW01, GWNSX1PP302AW01, GWNSX1PP302EW09, GWNSX2PP302AW01, GWNSX2PP302NW01, HWNSX1SP302UW09, NWNBX2SP302NW22, NWNMN2SP302NW22, NWNMX2SP302NW22, PWNBX2PP302AG02, SWNBX2SP302AW01, SWNBX2SP302NQ22, SWNBX2SP302NW22, SWNLX2SP302AW01, SWNLY2SP302NW22, SWNMN1SP302AW01, SWNMN1SP302NW22, SWNMN1SP302SW01, SWNSX1PP302AW01, SWNSX1SP302AW01, SWNSX1SP302BW01, SWNSX1SP302EW09, SWNSX1SP302NW22, SWNSX1SP302SQ01, SWNSX1SP302SW01, SWNSX1SP302UW01 and TWNBX2SP302NW22
	36990	Drain Hose Elbow	All other models
11	562P3	Siphon Break Kit	Siphon break kit must be installed in drain hose if drain receptacle is lower than cabinet top of washer

Front Panel, Base Assembly and Cabinet Kit

REF	PART NO.	DESCRIPTION	COMMENTS
	122P4P	Porcelain Touch-Up Paint	White
	370P4P	Porcelain Touch-Up Paint	Bisque
	806436P	Paint	Dark gray
1	56128	Bumper Pad	
2	39480	Foam Pad	
3	56079	Panel Locator	
4	39733	Screw	
5	36226	Bumper Pad	
6	D501524	Screw	
7	52909	Screw	
8	27103	Hold-Down Lug Hinge	
9	38612WP	Service Cabinet Kit	White
	38612QP	Service Cabinet Kit	Bisque
	38612DG	Service Cabinet Kit	Dark gray
10	35867	Meter Case Mounting Bracket Assembly	
11	27196	Screw	Slotted hex head
	431287	Screw	Torx head
12	34443	Leg and Stabilizer Assembly	
13	35148	Screw	
14	36036	Bracket	Right
15	34318	Rubber Foot	
16	39788	Base Assembly	
17	34319	Leveling Leg	
18	21899	Nut	
19	37937	Friction Ring	
20	566P3	Adjustable Leg Extension Kit	Provides adjustment capabilities to rear self-leveling legs
21	36037	Bracket	Left
22	36204	Front Panel Pad	
23	28102	Panel Locator	
24	203484	Foam Pad	
25	38335WP	Front Panel	White
	38335QP	Front Panel	Bisque
	38335DG	Front Panel	Dark gray
26	35865	Hold-Down Clip	
27	35097	Front Panel Brace	

Mixing Valve and Motor Disconnect Blocks, Terminals and Terminal Extractor Tool

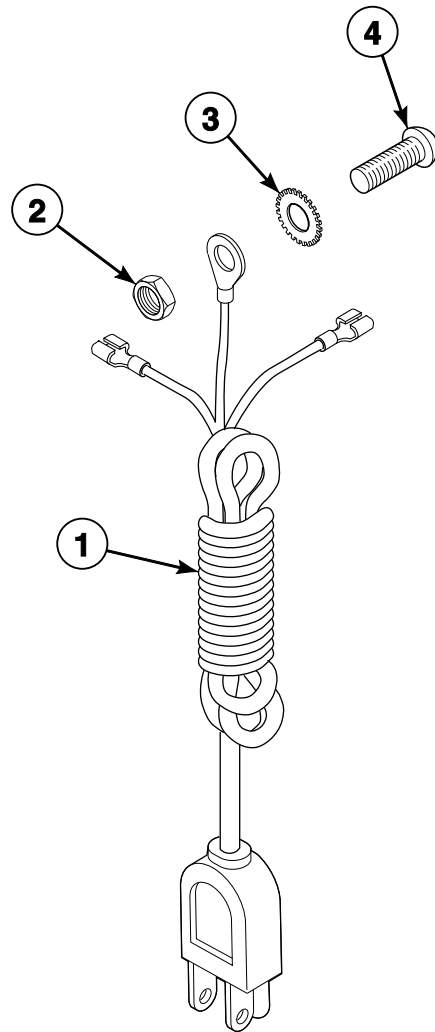


W134PZ3A_202731

Mixing Valve and Motor Disconnect Blocks, Terminals and Terminal Extractor Tool

REF	PART NO.	DESCRIPTION	COMMENTS
1	34677	10 Circuit Plug	Motor
2	00188	Female Terminal	For 1 or 2 wire application
3	00121	Female Spade Terminal	1/4 inch
4	34675	Mixing Valve Plug	Natural
	34676	Mixing Valve Plug	Red
5	283P4	Terminal Extractor Tool	

Lead-In Cord

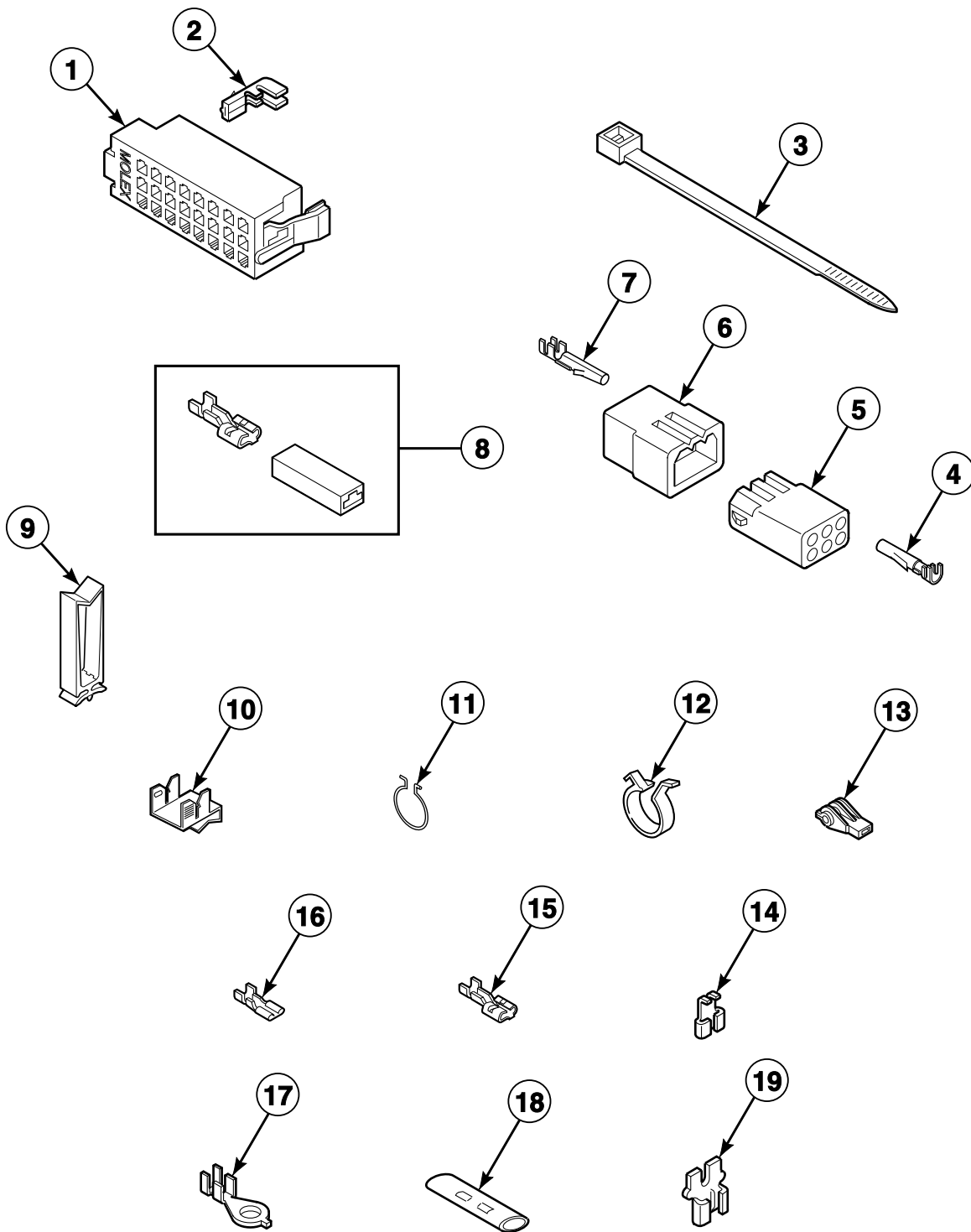


TLW1089P_202731

Lead-In Cord

REF	PART NO.	DESCRIPTION	COMMENTS
1	38362P	Lead-In Cord	Models GWNMN2PP302NW01, GWNSX2PP302NW01, NWNBX2SP302NW22, NWNMN1SP542NW22, NWNMN2SP302NW22, NWNMX2SP302NW22, SWNBX2SP302NQ22, SWNBX2SP302NW22, SWNLY2SP302NW22, SWNMN1SP302NW22, SWNMN1SP302SW01, SWNSX1SP302NW22, SWNSX1SP302SQ01, SWNSX1SP302SW01, SWNSX1SP542NW22 and TWNBX2SP302NW22
	38363	Lead-In Cord	Model SWNLX1SP542NW23
	39931	Power Cord Assembly	Models BWNBX2PP302AW01, BWNMN2PP302AW01, GWNMN1PP302AW01, GWNMN2PP302AW01, GWNSX1PP302AW01, GWNSX2PP302AW01, PWNBX2PP302AG02, SWNBX2SP302AW01, SWNLX2SP302AW01, SWNMN1SP302AW01, SWNSX1PP302AW01 and SWNSX1SP302AW01
	39984	Power Cord Assembly	Model SWNSX1SP302BW01
	39925	Power Cord Assembly	Models GWNSX1PP302EW09 and SWNSX1SP302EW09
	39926	Lead-In Cord	Models HWNSX1SP302UW09 and SWNSX1SP302UW01
	201439	Lead-In Cord	Model SWNBX2SP112FW27
	202624	Power Cord Assembly	Model SWNBX2SP082JW01
	804556	Lead-In Cord Assembly	Models HWNBX1SP122DW01, HWNBX1SP542DW01, HWNLX1SP122DW01, HWNLX1SP542DW01, SWNBX1SP122DW01, SWNBX1SP542DW01, SWNLX1SP122DW01 and SWNLX1SP542DW01
	34458	Lead-In Cord	All other models
2	03673	Nut	
3	21735	Washer	
4	20267	Screw	

Terminals

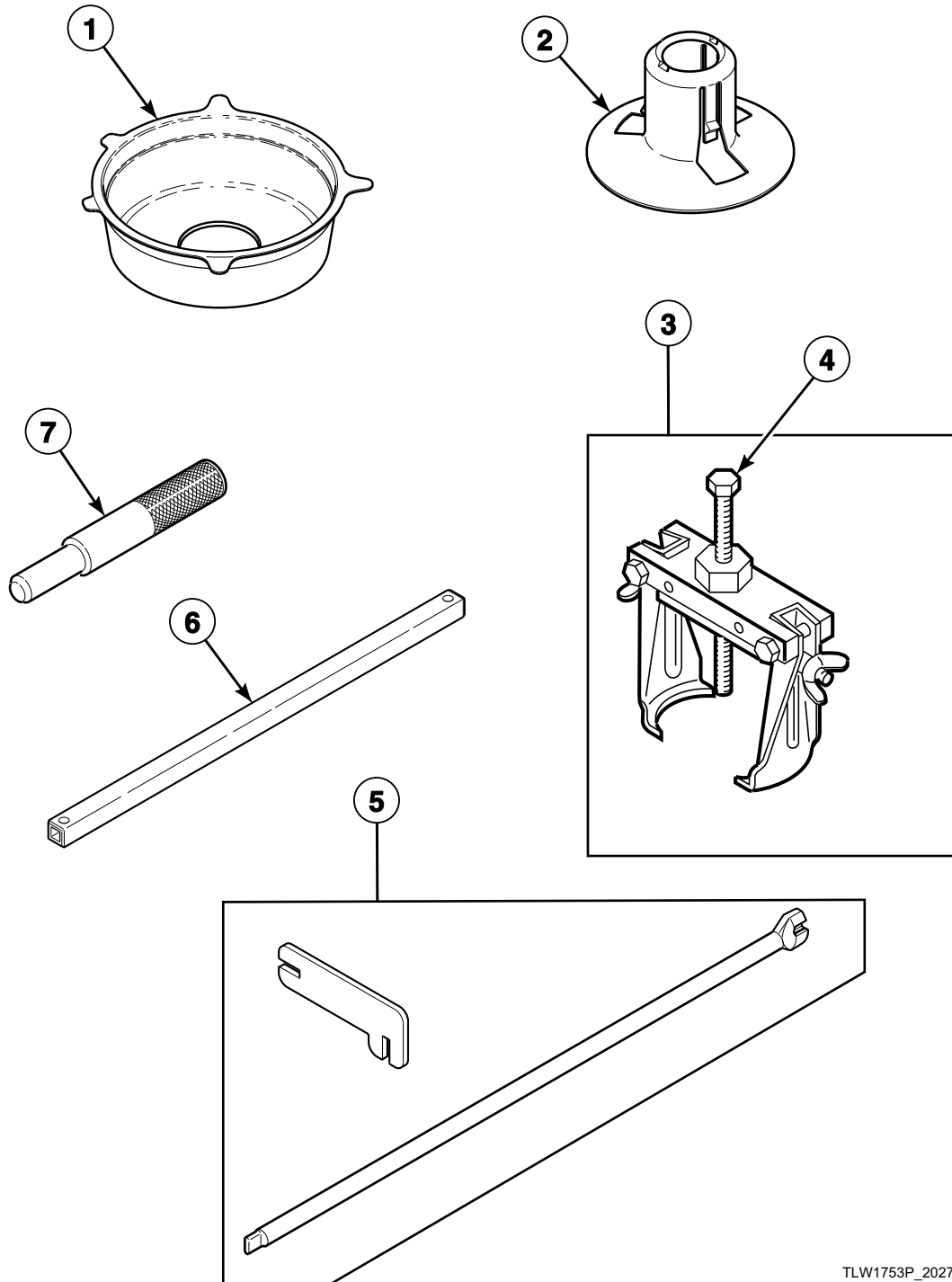


TLW1645P_202731

Terminals

REF	PART NO.	DESCRIPTION	COMMENTS
1	32746	24 Position Housing	Right; Black
	34123	24 Position Housing	Left; White
2	00188	Female Terminal	Used for 1 or 2 wire application
3	55881	Harness Strap	4 inches
	M405829	Cable Tie	Push-mount; 6.13 inches
4	00117	Female Pin Terminal	
5	26301	1 Circuit Receptacle	
	26708	6 Circuit Receptacle	
	26163	9 Circuit Receptacle	
6	26302	1 Circuit Plug	
	23041	6 Circuit Plug	
	23033	9 Circuit Plug	
7	00116	Male Pin Terminal	
8	00359	Insulated Female Spade Terminal	
9	70366201	Wire Clip	
10	00161	Grounding Clip	
11	51291	Wire Clip	
12	D504034	Wire Clip	
13	70210	Insulator	
14	00120	Female Flag Terminal	
15	00223	Female Spade Terminal	Large spade
16	00112	Female Spade Terminal	Small spade
17	00110	Ring Terminal	Small shank
18	21091	Connector	
19	F140562	Connector	

Shipping Materials and Special Tools

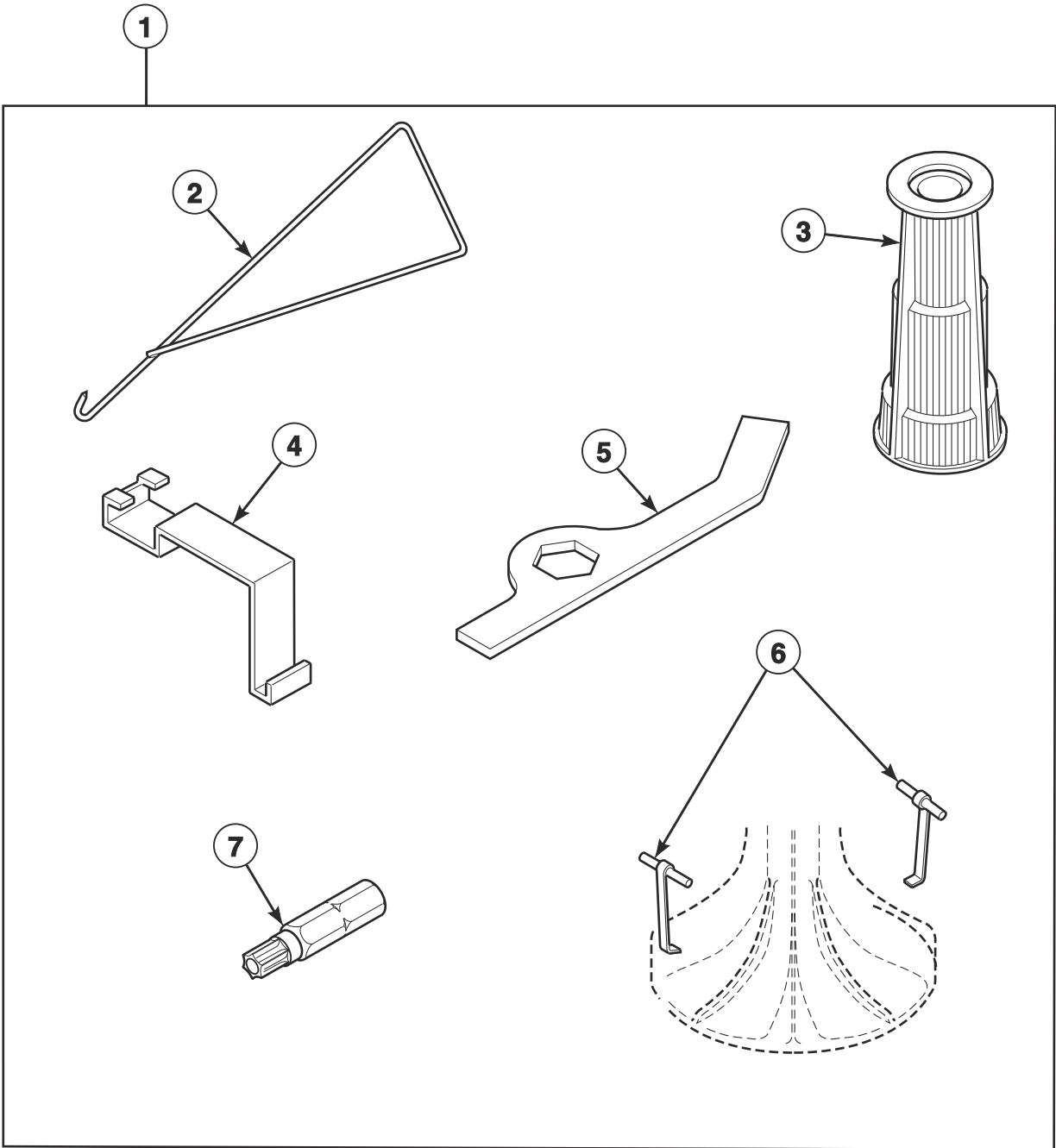


TLW1753P_202731

Shipping Materials and Special Tools

REF	PART NO.	DESCRIPTION	COMMENTS
1	200552	Shipping Brace	Install whenever moving washer; Remove before use
2	38149	Shipping Plug	Install whenever moving washer; Remove before use
3	294P4	Agitator Drive Bell Puller	For removal and installation of drive bell to transmission shaft
4	294P4B	Bolt	
5	CK096	Mounting Tool Kit	Use to install and remove electronic coin drops
6	310P4	Ratchet Extension Tool	1/4 inch; Use to install and remove non-electronic coin drops
7	305P4	Transmission Pin Tool	Use pin tools in place of dowel pins when reassembling transmission cover and case; 2 required

Special Tools



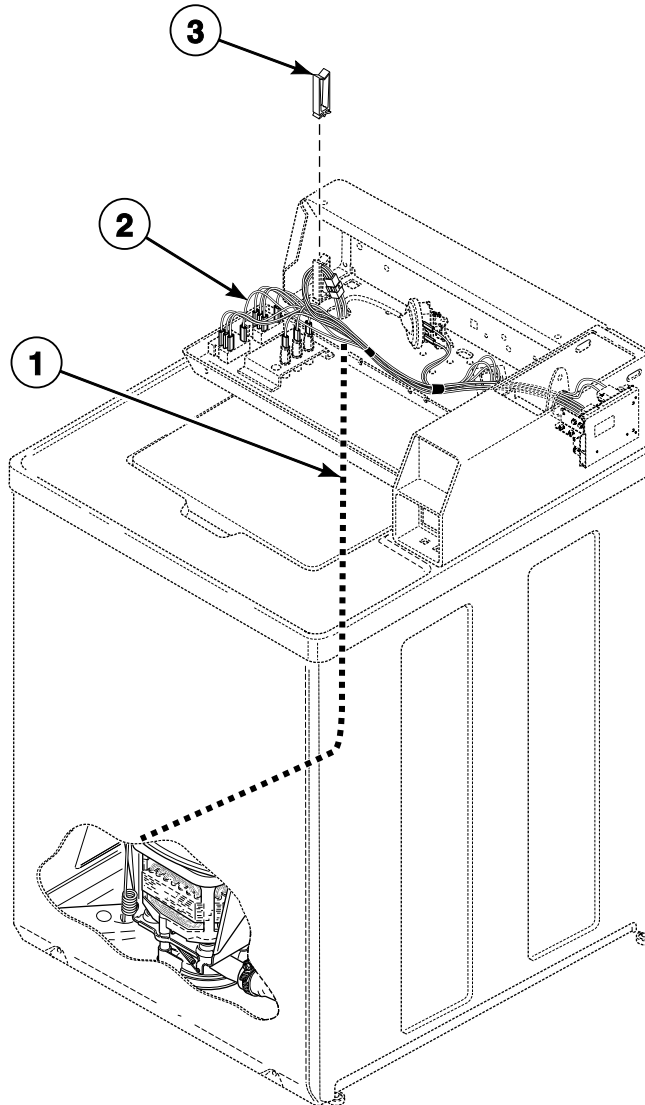
TLW1818P_202731

Special Tools

REF	PART NO.	DESCRIPTION	COMMENTS
1	725P3	Tool Kit	Includes items 2-7
2	321P4	Spring Hook Tool	For removal of centering springs from outer tub
3	293P4	Drive Bell Seal Tool	For installation of 36426 Bell and Transmission Tube Seal
4	273P4	Tub Cover Removal Tool	Use to install 38359 Tub Cover Gasket in outer tub cover
5	306P4	Hex Wrench Tool	For removal of locknut from washtub hub
6	254P4P	Agitator Hook	Use to remove agitator from drive bell; Set of 2
7	281P4	Torx Bit	T15; For removal and installation of control hood security screws
	282P4	Torx Bit	T25; For removal and installation of front panel security screws

Wire Harnesses and Wires (Drawing 1 of 2)

Models BWNMN2PP112CW01, BWNMN2PP302AW01, BWNSX2PP112CW01, GWNMN1PP302AW01, GWNMN2PP302AW01, GWNMN2PP302NW01, GWNMN2PP112TW01, GWNSX1PP302AW01, GWNSX1PP302EW09, GWNSX2PP112TW01, GWNSX2PP302AW01, GWNSX2PP302NW01, HWNMN2PP112TW01, HWNMN2SP112CW01, HWNSX1PP112TQ01, HWNSX1PP112TW01, HWNSX1SP112CW01, HWNSX1SP302UW09, HWNSX2PP112TQ01, HWNSX2PP112TW01, HWNSX2SP112CW01, NWNMN1SP542NW22, NWNMN2SP302NW22, NWNSX2SP302NW22, PWNSX2PP112TG02, SWNMN1SP302AW01, SWNMN1SP302NW22, SWNMN1SP302SW01, SWNMN2PP112TW01, SWNMN2SP112CW01, SWNMN2SP112TW01, SWNMN2SP112TW08, SWNSX1PP112TQ01, SWNSX1PP112TW01, SWNSX1PP302AW01, SWNSX1SP112TQ01, SWNSX1SP112TW01, SWNSX1SP302AW01, SWNSX1SP302BW01, SWNSX1SP302EW09, SWNSX1SP302NW22, SWNSX1SP302SQ01, SWNSX1SP302SW01, SWNSX1SP302UW01, SWNSX1SP542NW22, SWNSX2PP112TQ01, SWNSX2PP112TW01, SWNSX2PP112TW02, SWNSX2SP112CW02, SWNSX2SP112TQ01, SWNSX2SP112TW01, SWNSX2SP112TW02 and UWNMN2SP112CW01



TLW1733P_202731

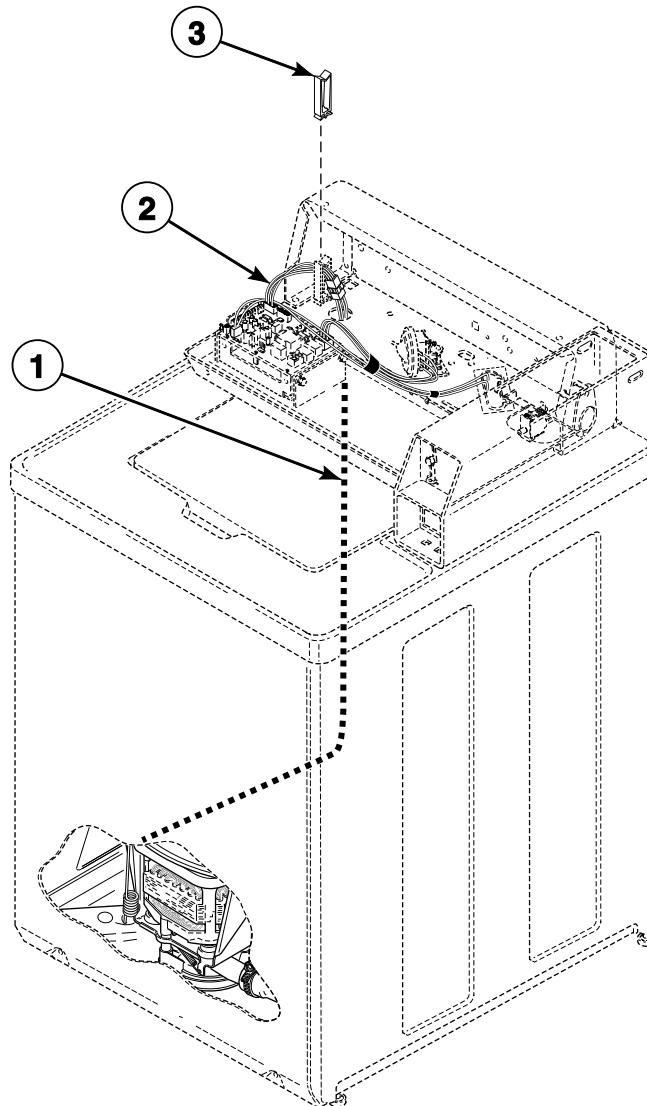
Wire Harnesses and Wires (Drawing 1 of 2)

REF	PART NO.	DESCRIPTION	COMMENTS
	45001	18 Gauge Wire	Black; Order wire by foot and terminals as required
	45380	12 Gauge Wire	Orange; Order wire by foot and terminals as required
1	201466	Base Wire Harness Assembly	Models BWNMN2PP302AW01, GWNMN2PP302AW01, GWNMN2PP302NW01, GWNSX2PP302AW01, GWNSX2PP302NW01, NWNMN2SP302NW22 and NWNSX2SP302NW22
	201435	Base Wire Harness Assembly	Models GWNMN1PP302AW01, GWNSX1PP302AW01, GWNSX1PP302EW09, HWNSX1SP302UW09, SWNMN1SP302AW01, SWNMN1SP302SW01, SWNSX1PP302AW01, SWNSX1SP302AW01, SWNSX1SP302BW01, SWNSX1SP302EW09, SWNSX1SP302SQ01, SWNSX1SP302SW01 and SWNSX1SP302UW01
	38772P	Base Wire Harness Assembly	Models NWNMN1SP542NW22 and SWNSX1SP542NW22
	38661P	Wire Harness Assembly	Base; All other models
2	201766	Hood Harness	Models GWNSX1PP302EW09, HWNSX1SP302UW09 and SWNSX1SP302EW09
	201729	Hood Harness	Models BWNMN2PP302AW01, GWNMN1PP302AW01, GWNMN2PP302AW01, GWNMN2PP302NW01, GWNSX1PP302AW01, GWNSX2PP302AW01, GWNSX2PP302NW01, NWNMN1SP542NW22, NWNMN2SP302NW22, NWNSX2SP302NW22, SWNMN1SP302AW01, SWNMN1SP302NW22, SWNMN1SP302SW01, SWNSX1PP302AW01, SWNSX1SP302AW01, SWNSX1SP302BW01, SWNSX1SP302NW22, SWNSX1SP302SQ01, SWNSX1SP302SW01, SWNSX1SP302UW01 and SWNSX1SP542NW22
	201688	Hood Harness	All other models
3	70366201	Wire Clip	

NOTE: Individual wires are not available separately. Order complete harness, or order wire by the foot. When applying terminals to wires, it is recommended that the terminals be soldered to the wires.

Wire Harnesses and Wires (Drawing 2 of 2)

Models BWNBC2PP112TW01, BWNBX2PP112TW01, BWNBX2PP302AW01, BWNBY2PP112TW01, HWNBC2PP112TQ01, HWNBC2PP112TW01, HWNBD2SP112CQ01, HWNBD2SP112CW01, HWNBE2SP112CW01, HWNBX1SP122DW01, HWNBX1SP542DW01, HWNBX2SP112CW01, HWNBX2SP112FW28, HWNBY2PP112TW01, HWNBY2SP112CW01, HWNLE2AP112CW01, HWNLE2HP112CW01, HWNLE2SP112CW01, HWNLX1SP122DW01, HWNLX1SP542DW01, HWNLX2HP112CW01, HWNLX2SP112CW01, HWNLY2HP112CW01, HWNLY2SP112CW01, NWNBX2SP302NW22, PWNBC2PP112TG02, PWNBX2PP112TG02, PWNBX2PP302AG02, SWNBC2PP112TQ01, SWNBC2PP112TW01, SWNBC2PP112TW02, SWNBC2SP112TQ01, SWNBC2SP112TW01, SWNBX1SP122DW01, SWNBX1SP542DW01, SWNBX2PP112TW02, SWNBX2SP082JW01, SWNBX2SP112FW27, SWNBX2SP112TQ01, SWNBX2SP112TW01, SWNBX2SP302AW01, SWNBX2SP302NQ22, SWNBX2SP302NW22, SWNBY2PP112TW01, SWNBY2SP112TW01, SWNLC2AP112TW01, SWNLC2AP112TW02, SWNLC2HP112TQ01, SWNLC2HP112TW01, SWNLC2HP112TW02, SWNLC2PP112TW01, SWNLC2PP112TW02, SWNLC2SP112TQ01, SWNLC2SP112TW01, SWNLC2SP112TW02, SWNLX1SP122DW01, SWNLX1SP542DW01, SWNLX1SP542NW23, SWNLX2AP112TW02, SWNLX2HP112TW01, SWNLX2HP112TW02, SWNLX2PP112TW02, SWNLX2SP112TW01, SWNLX2SP112TW02, SWNLX2SP302AW01, SWNLY2AP112TW01, SWNLY2HP112TW01, SWNLY2PP112TW01, SWNLY2SP112TW01, SWNLY2SP302NW22, SWNWy2AP112TW11, SWNWy2HP112TW11 and TWNBX2SP302NW22



TLW1734P_202731

Wire Harnesses and Wires (Drawing 2 of 2)

REF	PART NO.	DESCRIPTION	COMMENTS
	45001	18 Gauge Wire	Black; Order wire by foot and terminals as required
	45380	12 Gauge Wire	Orange; Order wire by foot and terminals as required
1	201466	Base Wire Harness Assembly	Models BWNBX2PP302AW01, NWNBX2SP302NW22, PWNBX2PP302AG02, SWNBX2SP302AW01, SWNBX2SP302NQ22, SWNBX2SP302NW22, SWNLX2SP302AW01, SWNLY2SP302NW22 and TWNBX2SP302NW22
	202721	Wire Harness Assembly	Base; Models HWNBX1SP542DW01, HWNLX1SP542DW01, SWNBX1SP542DW01, SWNLX1SP542DW01 and SWNLX1SP542NW23
	202838	Wire Harness Assembly	Base; Models HWNBX1SP122DW01, HWNLX1SP122DW01, SWNBX1SP122DW01 and SWNLX1SP122DW01
	38661P	Wire Harness Assembly	Base; All other models
2	210178P	Harness Assembly	Hood; Models BWNBX2PP302AW01, HWNBX1SP542DW01, HWNLX1SP542DW01, NWNBX2SP302NW22, PWNBX2PP302AG02, SWNBX1SP542DW01, SWNBX2SP302AW01, SWNBX2SP302NQ22, SWNBX2SP302NW22, SWNLX1SP542DW01 and TWNBX2SP302NW22
	202671	Wire Harness Assembly	Hood; Models HWNLX1SP542DW01, SWNLX1SP542DW01, SWNLX1SP542NW23, SWNLX2SP302AW01 and SWNLY2SP302NW22
	202667	Wire Harness Assembly	Hood; Models HWNLE2SP112CW01, HWNLX1SP122DW01, HWNLX2SP112CW01, HWNLY2SP112CW01, SWNLC2PP112TW01, SWNLC2PP112TW02, SWNLC2SP112TQ01, SWNLC2SP112TW01, SWNLC2SP112TW02, SWNLX1SP122DW01, SWNLX2PP112TW02, SWNLX2SP112TW01, SWNLX2SP112TW02, SWNLY2PP112TW01 and SWNLY2SP112TW01
	202375	Wire Harness Assembly	Hood; Models HWNLE2AP112CW01, HWNLE2HP112CW01, HWNLX2HP112CW01, HWNLY2HP112CW01, SWNLC2AP112TW01, SWNLC2AP112TW02, SWNLC2HP112TQ01, SWNLC2HP112TW01, SWNLC2HP112TW02, SWNLX2AP112TW02, SWNLX2HP112TW01, SWNLX2HP112TW02, SWNLY2AP112TW01, SWNLY2HP112TW01, SWNWY2AP112TW11 and SWNWY2HP112TW11
	202229P	Wire Harness Assembly	Hood; All other models
3	70366201	Wire Clip	

NOTE: Individual wires are not available separately. Order complete harness, or order wire by the foot. When applying terminals to wires, it is recommended that the terminals be soldered to the wires.

Parts Index

A

Adjustable Leg Extension Kit	
566P3	73
Agitate and Spin Belt	
200923	53, 55, 57, 59
38174	57, 59
Agitator	
33174	61
Agitator Cap	
36515	61
Agitator Drive Bell Puller	
294P4	81
Agitator Hook	
254P4P	83
Agitator Pinion	
27003	67
Anti-Seize Compound	
27604P	67

B

Balance Ring Assembly	
39837	61
Base Assembly	
39788	73
Base Wire Harness Assembly	
201435	85
201466	85, 87
38772P	85
Bell and Transmission Tube Seal	
36425	61
Bell Plug	
36511	61
Belt and Pump Kit	
RB150003	57
Bolt	
02505	7, 9
294P4B	81
29651	7
32184	39, 45
Bracket	
201918	39
202083	43
36036	73
36037	73
803662	7
Brake Kit	
38505P	71
Brake Pad Kit	
735P3	71
Bumper	
M400795	15, 17, 19, 21, 23, 25, 27, 29, 31, 33, 35, 37
21685	41, 45
Bumper Pad	
36226	73
56128	73

Bushing	
33446	41, 45

C

Cable Connection Box	
39922	17, 21, 23, 27, 31
Cable Tie	
M405829	79
Capacitor	
37377	57
Capacitor and Clamp Kit	
39259P	53, 55, 57
Capacitor Clamp	
37535	53, 55, 57
Central Pay Harness	
D511478	25, 27, 29, 31, 33, 35, 37
Chassis Mounting Bracket	
201581	7
Circuit Board Support	
D501523	23
Clip	
201572	13
Coin Box Extension Kit	
803578P	7, 9
Coin Drop	
200731	11
38963P	11
39748	11
70441601P	11
70441603	11
Coin Drop Assembly	
CK114	11
CK123	11
201141	11
210195	11
210196	11
38462P	11
38463	11
38464P	11
38467	11
38472	11
38475	11
38519	11
38521	11
39157	11
553192	11
70281102	11
70441602	11
70447301	11
70482401	11
70506901	11
Coin Drop Kit	
CK055	11
CK056	11
CK057	11
CK058	11
CK060	11
CK071	11
CK077	11
CK078	11
CK085	11

N/A items do not appear in index.

CK086	11	36521WP	19, 21, 23
CK089	11	Control Panel Assembly	
CK090	11	201742W	15, 17
CK091	11	210042DG	25
CK097	11	210042Q	25, 29
CK098	11	210042W	25, 27, 29, 31
CK107	11	210137W	33, 35, 37
CK111	11	Control Panel Bumper	
CK122	11	202469	15, 17, 19, 21, 23, 25, 27, 29, 31, 33, 35, 37
Coin Drop Wire Harness		Control Panel Overlay	
201104	13	201003	33
Coin Funnel Kit		201007	33
523P3	7	202416	29, 31
Coin Identification Paper		Control Shield	
38725	9, 13	D512304	7
Coin Slide Extension Kit		210053	25, 27, 29, 31, 33, 35, 37
200913	7	Control Sticker Overlay	
Coin Slide Kit		202309	29, 35
CK001	7	Counterweight Assembly	
CK009	7	38769	63
CK010P	7	Cover Plate	
CK011	7	37828P	45
CK014	7	Cycle Selector Switch	
CK017	7	201686	15, 17, 19, 21, 23
Connector			
F140562	79		
21091	79		
Control Assembly			
202391P	29, 31, 35		
202392P	25, 27, 33		
202393P	7, 15, 17		
202820P	29, 35, 37		
202831P	25, 27, 33		
Control Hood			
210142W	15, 17, 33, 35, 37		
37075DG	19		
37075Q	19, 21, 25, 29		
37075W	19, 21, 23, 25, 27, 29, 31		
Control Lid Lock Assembly			
37225P	23		
Control Overlay			
201667	19, 21		
201668	19		
201673	23		
201674	19		
201675	19		
201718	15		
201744	15, 17		
201762	15		
201935	19, 21		
201936	15, 17		
201937	21		
201938	17		
202012	15, 17		
202022	23		
202129	15		
202130	21		
202134	15		
202362	15		
202408	23		
202415	35, 37		
202417	29, 31		
202418	35		
204005	19		
Control Panel and Bracket Assembly			
36520DG	19		
36521QP	19, 21		

D

Diagnostic Wire Harness Assembly	
800680	33, 35, 37
Disconnect Power Warning Label	
D505281	15, 17, 33, 35, 37, 41
Door Lock Spacer	
201414	45
Drain Extension Kit	
451P3	69
Drain Hose	
28293	69
Drain Hose Elbow	
35766	69
36990	69
Drive Bell and Seal Kit	
39508P	61
Drive Bell Seal Tool	
293P4	83
Drive Pinion	
37405	67
Dual Overlay	
39073	9

E

Electrical Shock Label	
F8211201	23, 41
Electronic Coin Drop Assembly	
70294103P	13
70294104	13
70294105P	13
70294106	13
70294107	13
70294110	13
70294111	13

N/A items do not appear in index.

70294116	13
70294117	13
70294119	13
70294120	13
70294121	13
70294122	13
70294123	13
Electronic Coin Drop Kit	
CK099	13
CK100	13
CK101	13
CK103	13
CK108	13
CK109	13
CK110	13
CK113	13
CK115	13
CK116	13
CK117	13
CK118	13
CK119	13
CK120	13
CK121	13
Electronic Control Shield	
D501441	37
End Cap	
210108W.....	15, 17, 33, 35, 37
210109W.....	15, 17, 33, 35, 37
Ethernet Gateway Kit	
NK320	29, 31, 35, 37

F

Female Flag Terminal	
00120	79
Female Pin Terminal	
00117	79
Female Spade Terminal	
00112	79
00121	75
00223	79
Female Terminal	
00188	75, 79
Fill Hose	
202799	51
202800	51
20617	51
20618	51
37380	51
37381	51
Fill Hose Kit	
38349P.....	51
Flex Vane Agitator	
36507	61
Foam Pad	
203484	73
39480	73
Friction Ring	
37937	73
Front Panel	
38335DG.....	73
38335QP.....	73
38335WP.....	73
Front Panel Brace	
35097	73

Front Panel Pad	
36204	73

G

Gasket	
70392701P	17
Gear and Stud Assembly	
26577	67
Gear Sleeve	
38864	67
Graphic Overlay	
201999	19
Grease	
36765P	61
Grommet	
29175	65
80262	43, 45
Grounding Clip	
00161	79

H

Harness Assembly	
210178P	87
802904P.....	9
802905	9, 13
Harness Strap	
55881	79
Helix	
38008	71
Hex Wrench Tool	
306P4	83
Hinge Gasket	
34338	41, 45
Hold-Down Clip	
35865	73
Hold-Down Lug Hinge	
27103	73
Hood Back Panel	
38267	19, 21, 25, 29
39920	21, 23, 27, 31
Hood Harness	
201688	85
201729	85
201766	85
Hose and Washers Kit	
203675	51
203676	51
Hose Clamp	
F200204	69
20211	69
20391	69
36801	49
39282	65
800803	49
Hose Clip	
36985	65
Hose Coupler	
25863	69
Hose Retainer Clip	
39177	69

N/A items do not appear in index.

Housing, 24 Position	
32746	79
34123	79
Hub and Lip Seal Kit	
766P3A	61, 63
Hub Spacer	
201212	67

I

Idler Lever	
38011	53, 55, 57, 59
Idler Lever and Belt Kit	
202972	53, 55, 59
Idler Lever Kit	
959P3	59
Idler Lever Spring	
201189	53, 55, 57
202032	53, 55, 57, 59
Idler Pulley	
38225P	53, 55, 57, 59
Idler Shaft	
210186	53, 55, 57, 59
Input Shaft	
38268P	67
Insulated Female Spade Terminal	
00359	79
Insulator	
70210	79
Isolator Post	
38325	53, 55, 57

J

Jumper Configuration Assembly	
M413507	25, 27, 29, 31, 35, 37

L

Label	
805914	25
Lead-In Cord	
201439	77
34458	77
38362P	77
38363	77
39926	21, 23, 77
Lead-In Cord Assembly	
804556	27, 31, 77
Lead-In Wire Harness Assembly	
201405P	23, 27, 31
39923	17, 21, 27
Leg and Stabilizer Assembly	
34443	73
Leg Plate	
27926	63
Leg Spring	
201521	63
37575	63
37576	63

Leveling Leg	
34319	73
Lid	
200891Q	41
200891W	41
200892WP	45
201760QP	41
201760WP	41
201761WP	41
33450DG	41
Lid and Carton Assembly	
201460QP	41
Lid Hinge	
36437	41, 45
36438	41, 45
Lid Lock	
202434	45
Lid Lock Catch Assembly	
201307P	45
Lid Lock Gasket	
30378	45
Lid Lock Kit	
837P3	45
Lid Lock Wire Harness Assembly	
31973	45
Lid Plug	
34153	41
Lid Switch Assembly	
37631	47
Lid Switch Indicator Light	
39536	23
Lid Switch Shield	
202697	47
Light	
801431	15, 17, 19, 21, 23
Lower Bearing	
28944RP	71

M

Male Pin Terminal	
00116	79
Male Tab Terminal	
00177	15, 17, 55
Mechanical Counter Kit Assembly	
201280P	7
Meter Case Assembly	
38724Q	9
38724W	9
802505W	9
803063DG	9
Meter Case Assembly Kit	
803063WP	9
803575DG	7
803575WP	7
Meter Case Bracket Gasket	
35526	7, 9
Meter Case Gasket	
26354	7, 9
Meter Case Kit	
201010QP	7
201010WP	7

N/A items do not appear in index.

Meter Case Lockdown Bracket 35525	7, 9
Meter Case Locking Bracket 30642	7, 9
Meter Case Mounting Bracket Assembly 35867	73
Mixing Valve 202395P	49
202396P	49
203145P	49
Mixing Valve Plug 34675	75
34676	75
Mixing Valve Screen 24122	49
Mixing Valve Shield 202899	49
Mixing Valve-to-Tub Cover Hose 202472	49
Motor Assembly 202457	57
35030P	57
Motor Kit 201433P	55, 57
38034P	57
38035P	57
835P3	53, 55, 57
Motor Mount 38395	53, 55, 57
38396	53, 55, 57
Motor Mount Bracket 200941	53, 55, 57
Motor Shield 34754	53, 55, 57
Motor Side Shield 36965	53
Mounting Tool Kit CK096	81

N

Network Controller Kit NK220	29, 31, 35
Network Retrofit Kit NK201	29, 31, 35
Network Wire Harness Assembly 44088501P	37
Nut M400981	47
03673	77
201216	13
21899	73
22001	45
23951	39
24205	15, 17, 19, 21, 23
27222	43, 45
28803	53, 55, 57, 59
29220	61
29786	7, 9
29796	7
30647	7, 9, 39
35423	57
36020	43, 45
44087101	19, 21, 23, 25, 27, 29, 31

52566	53, 55, 57
52947	23
685846	53, 55
802337	7, 9
802343	17

O

Operation Instruction Label 203152	9
37068	7
Options Label 202828	29
202829	29, 31, 35
Opto Coupler 200674P	9
Outer Tub Assembly 200510P	63
200511P	63
Output Shaft 36570P	67
Overlay 200918	25, 27
200919	25, 27
201091	13
202098	25, 27
202174	25
202310	25, 33
202832	33
203526	25, 27
Overlay Kit 38676	9

P

Paint 806436P	73
Panel Clip M406494	15, 17
Panel Locator 28102	73
56079	73
Pinched Fingers Label F8211301	63
Plug, 1 Circuit 26302	79
Plug, 10 Circuit 34677	75
Plug, 6 Circuit 23041	79
Plug, 9 Circuit 23033	79
Porcelain Touch-Up Paint 122P4P	73
370P4P	73
Power Cord Assembly 202624	77
39925	23, 77
39931	17, 21, 27, 31, 77
39984	21, 77
Pressure Bulb 30907	65

N/A items do not appear in index.

Pressure Switch	
202655	15, 17, 19, 21, 23, 25, 27, 33
803637	29, 31, 35
803638P	29, 31, 35, 37
Pressure Switch Bracket	
201789	29, 31, 35, 37
Pulley	
202795	71
Pump	
201566P	53, 55, 57
Pump Assembly	
201442P	53, 55, 57
Pump-to-Drain Elbow Hose	
38273	69
Push-On Clip	
34762	23

R

Rack	
201664	67
Ratchet Extension Tool	
310P4	81
Rear Panel	
201732	15
201919	39
203072	17
203074	21, 27
210143	33, 35, 37
Receptacle, 1 Circuit	
26301	79
Receptacle, 6 Circuit	
26708	79
Receptacle, 9 Circuit	
26163	79
Reduction Gear	
37404P	67
Resistor	
210100	15, 17, 21, 23, 25, 27, 29, 31, 35
Retaining Ring	
23748	53, 55, 57, 59
27197	67
Ring Terminal	
00110	79
Rocker Switch	
70455101	15, 17
Rubber Foot	
34318	73

S

Screw	
D500226	19, 21, 23
D501086	15, 17, 19, 21, 25, 27, 29, 31, 33, 35, 37
D501524	7, 15, 17, 25, 27, 29, 31, 33, 35, 37, 73
D503661	15, 17, 19, 21, 23, 25, 27, 29, 31, 33, 35, 37
D503673	7, 9, 41, 45
D503688	7, 39
M402574	47
02916	19, 21, 23, 25, 27, 29, 31
201415	45
201773	67

202623	45
20267	77
20530	55
23008	43, 45
23222	19, 21, 23, 25, 27, 29, 31
23962	15, 17, 19, 21, 23, 25, 27, 29, 31, 33, 35, 37, 43, 47
27196	73
27202	61
27220	71
27229	53, 55, 57, 59
29273	67
32814	67
33562	49
34337	41, 45
35148	73
35369	53, 55, 57, 63
35528	19, 21, 23, 25, 29, 31
36048	7, 9
36639	53, 55, 57
39397	49
39432	61
39566	63
39733	73
39739	71
431287	43, 45, 73
52864	15, 17, 25, 27, 29, 31, 33, 35, 37
52909	41, 45, 53, 55, 57, 69, 73
685837	17
Sealant	
200996P	61, 63
Security Kit	
904P3	39
Service Cabinet Kit	
38612DG	73
38612QP	73
38612WP	73
Service Door Assembly	
39874DG	7, 9
39874QP	7, 9
39874WP	7, 9
Shipping Brace	
200552	81
Shipping Plug	
38149	81
Shock Warning Label	
D511021	17, 21, 31
Silicone Grease	
26594P	71
Single Overlay	
38717	9
Siphon Break Kit	
562P3	69
Slide	
CK027	7
26493	67
Splash Shield	
202695P	63
Spline Insert	
29728	61
Spring	
804794	7
Spring Clip	
210202	53, 55, 57
Spring Hook Tool	
321P4	83

N/A items do not appear in index.

Strain Relief	
38384	43
Support Barrel	
56534	43, 45
Switch	
D512973	9
27761	15, 17, 19, 21
33445	47
37830	47
431159	7
Switch Assembly	
39256	47
55882	23
Switch Knob	
39897	15, 17, 19, 21, 23
Switch Mounting Plate	
29676	45

T

Terminal Extractor Tool	
283P4	75
Tool Kit	
725P3	83
Top	
203579DG	43
39167QP	43
39167WP	43
Top Assembly	
210173WP	43
39184WP	45
39339W	43
Top Shield	
39744	43, 45
Torx Bit	
281P4	83
282P4	83
Transformer	
201375P	13, 25, 27, 29, 31, 33, 35, 37
201587P	15, 19
201616P	15, 17, 21, 23
210018P	25, 29
803527P	25, 27, 29, 31, 35
Transmission Assembly	
38165P	67
Transmission Case Assembly	
33223P	67
Transmission Cover Assembly	
37471	67
Transmission Oil	
27243P	67
Transmission Pin Tool	
305P4	81
Transmission Rebuild Kit	
RB150004	67
Transmission Sealant	
37577P	67
Tub Assembly	
39252P	61
39387P	61
Tub Cover Assembly	
202461	63
203154	63

Tub Cover Gasket	
38359	63
Tub Cover Removal Tool	
273P4	83
Tub Kit	
39250P	61
Tube	
202333	55
Tubing	
202699	65
202700	65
203296	65
Tub-to-Pump Hose	
38351	69

U

USB Gateway Kit	
NK330	29, 31, 35, 37

W

Warning Label	
D500049	63
D500314	63
D500316	33, 35, 41
Washer	
D504082	53, 55, 57, 59
F430339	23
M400017	19, 21, 23, 25, 27, 29, 31
02431	19, 21, 23, 25, 27, 29, 31
200608	25, 27, 29, 31, 33, 35, 37
20290	51
203950	71
21735	77
25100	39
26509	67, 71
27015	71
28094	61
29260	67
35092	67
35535	71
37772	53, 55, 57
39249	43, 45, 63
52549	53, 55, 57, 59
802254	51
803615	51
81392	53, 55, 57, 59
91176	15, 17, 19, 21, 23
Washtub Gasket	
39122	61
Washtub Kit	
719P3	61
Water Hose	
F200116	51
Weldment and Bearing Assembly	
39253	71
39254	71
Wire Clip	
D504034	79
51291	79
70366201	79, 85, 87

N/A items do not appear in index.

Wire Guard	
201595P	9
Wire Harness Assembly	
202229P	87
202375	87
202667	87
202671	87
202721	87
202838	87
38661P	85, 87
Wireless Network Kit	
NK301	29, 31, 35
Wireless Transceiver Assembly	
202335	37
Wire, 12 Gauge	
45380	85, 87
Wire, 18 Gauge	
45001	85, 87
