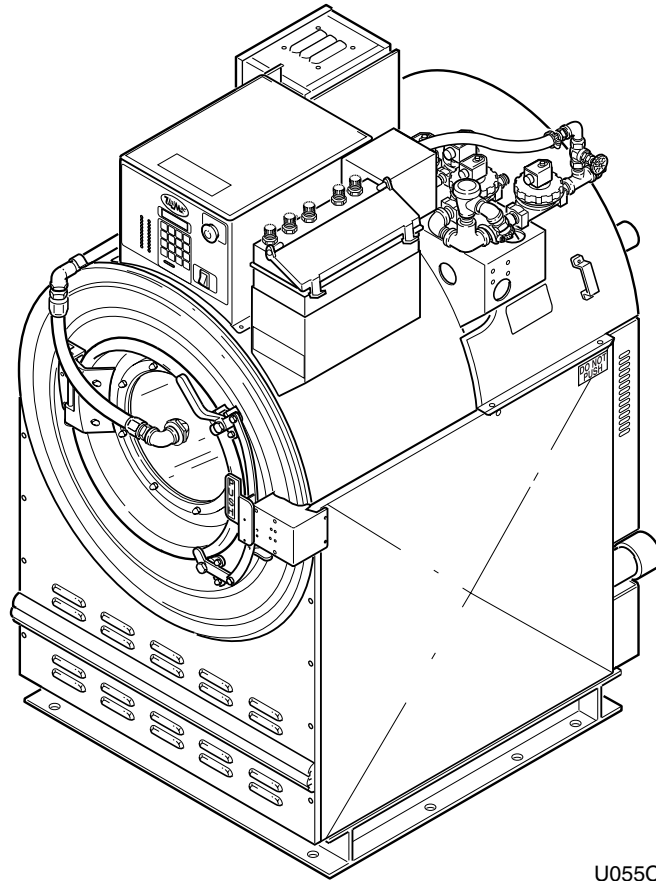


Washer-Extractor

Pocket Hardmount

Refer to Page 3 for Model Numbers



U055C

Parts

Table of Contents

Title	Page
Parts Ordering Information	2
Nameplate Location	2
Model Identification	3
Subassembly (Sheet 1 of 2)	4
Subassembly (Sheet 2 of 2)	6
Soap Dispenser Supply Plumbing	8
Polypropylene Soap Dispenser Supply Plumbing	10
Control Module	12
Single Door Box	14
Motors, Drives and Balance Switch	16
Spray and Fill Plumbing	18
Spray and Fill Plumbing	20
Door and Related Parts	22
Cover Panels	24
Ball Drain Valve Assembly	26
Motorized Drain Valve	28
Electric Heat Option	30
Auxiliary Steam Heat Option	32
Parts Index	35

© Copyright 2000, Alliance Laundry Systems LLC

All rights reserved. No part of the contents of this book may be reproduced or transmitted in any form or by any means without the expressed written consent of the publisher.

Parts Ordering Information

Alliance Laundry Systems is not responsible for personal injury or property damage resulting from improper service. Review all service information before beginning repairs.

If literature or replacement parts are required, contact the source from whom the machine was purchased or contact Alliance Laundry Systems at (920) 748-3950 for the name of the nearest authorized parts distributor.

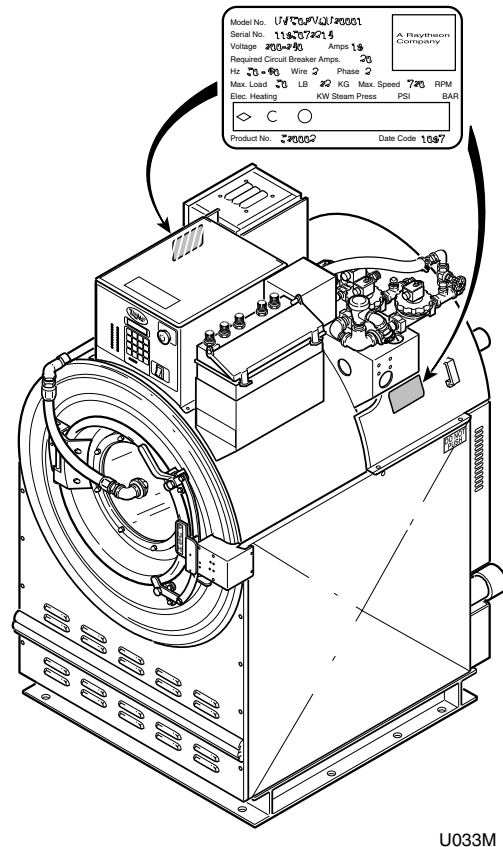
For technical assistance, call either of the following numbers:

(850) 526-3405
Marianna, Florida

(920) 748-3121
Ripon, Wisconsin

Nameplate Location

When calling or writing about your product, be sure to mention model and serial numbers. Model and serial numbers are located on nameplate(s) as shown.



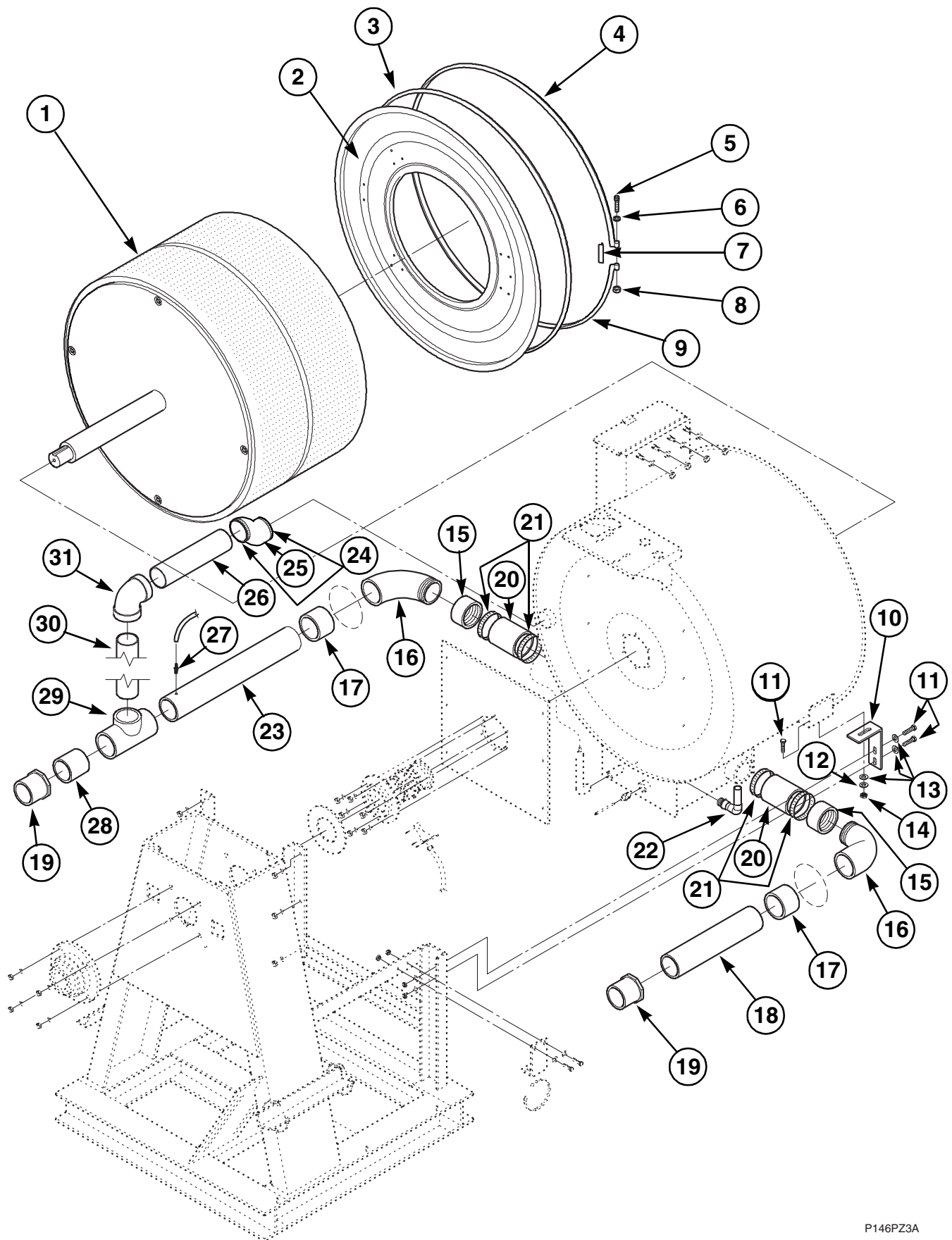
Model Identification

Information in this manual is applicable to these washer-extractors:

UW65PV

UW85PV

Subassembly (Sheet 1 of 2)



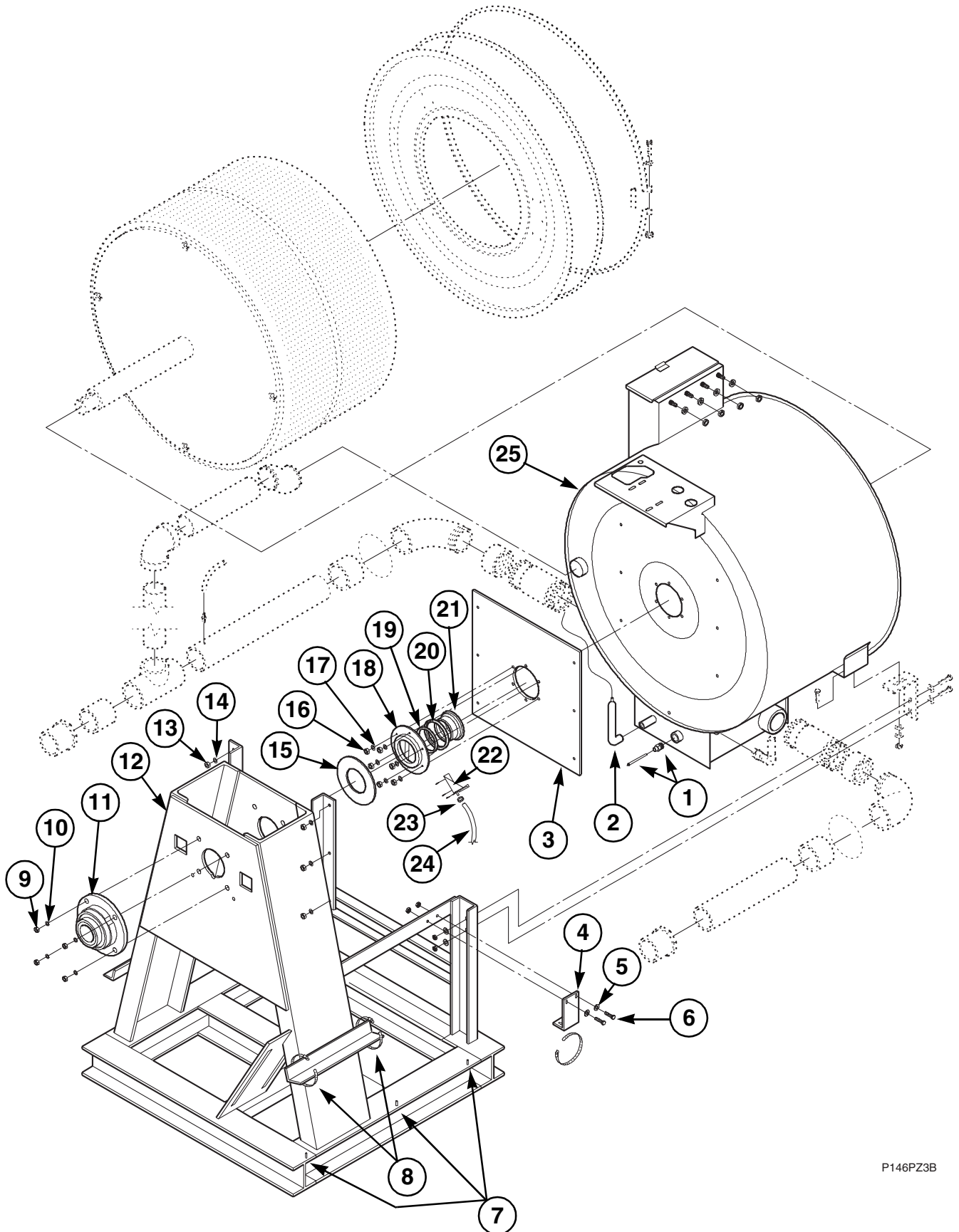
P146PZ3A

Subassembly (Sheet 1 of 2)

REF	PART #	DESCRIPTION	COMMENTS
1	F604906	Basket/Shaft Assembly	UW65PV; N/A
	F604907	Basket/Shaft Assembly	UW85PV; N/A
2	F741303	Shell Front Kit	
3	F170120	Shell Gasket	
4	F603910	Shell Band Assembly	Top half
5	F430500	Screw	
6	F430317	Washer	
7	F601216	Shell Gasket Shield	
8	F431005	Nut	
9	F603911	Shell Band Assembly	Bottom half
10	F602075	Support Bracket	N/A
11	F430924	Screw	
12	F430305	Lockwasher	
13	F430301	Washer	
14	F430205	Nut	
15	F420301	Coupling	
16	F420505	Elbow	
17	F422700	Coupling	
18	F610039	Pipe	
19	F422602	Reducer Bushing	
20	F610076	Hose	
21	F200201	Clamp	#56
22	F421202	Fill Tube	
23	F610095	Pipe	UW65PV
	F610040	Pipe	UW85PV
24	F200213	Clamp	#40
25	F610031	Pipe	
26	F610814	Pipe	
27	F421929	Hose Barb	
28	F610036	Pipe	UW65PV
	F610093	Pipe	UW85PV
29	F422803	Tee	
30	F610813	Pipe	
31	F422900	Elbow	

N/A = Part no longer available

Subassembly (Sheet 2 of 2)



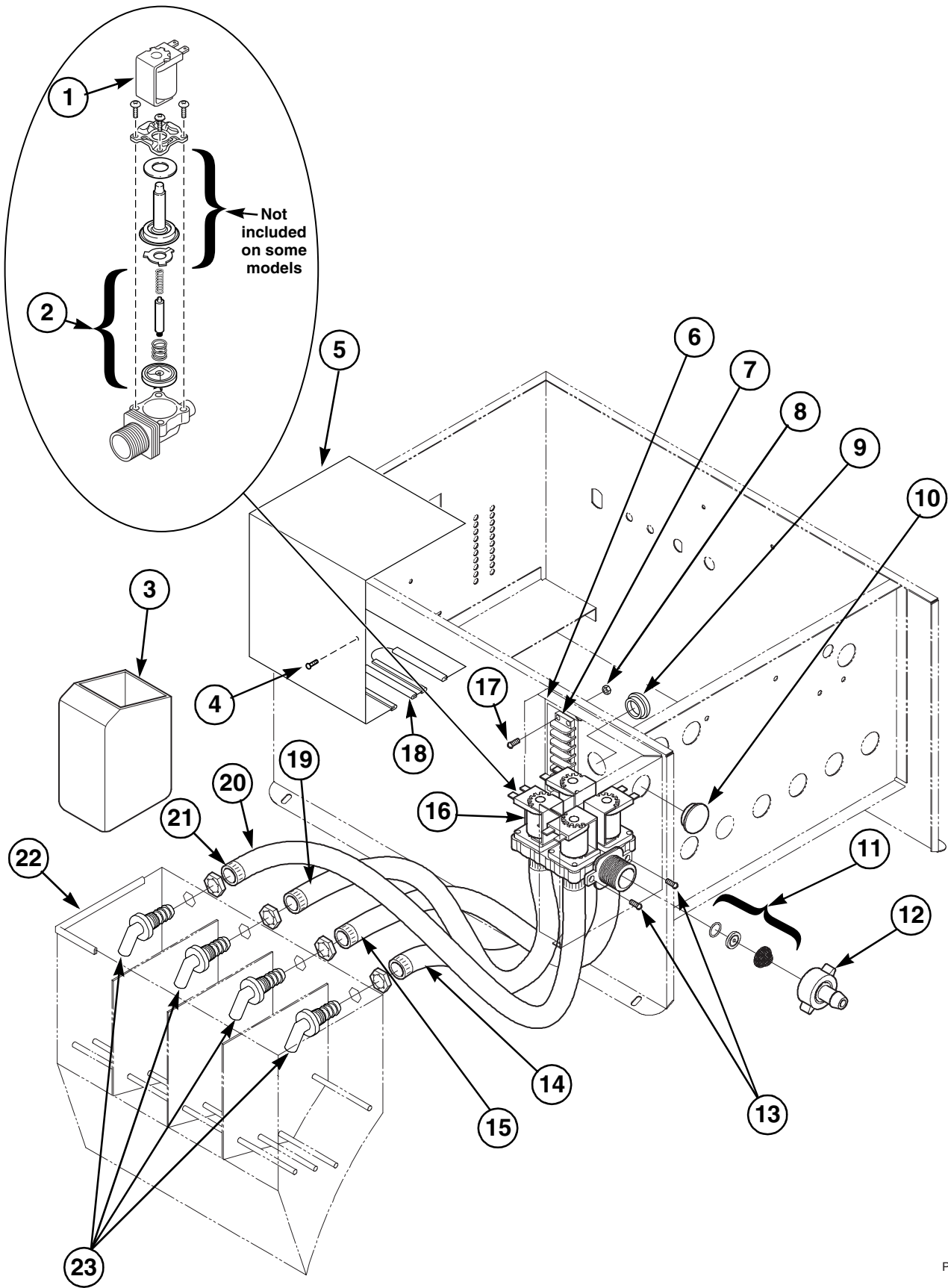
P146PZ3B

Subassembly (Sheet 2 of 2)

REF	PART #	DESCRIPTION	COMMENTS
1	F370606	Temperature Probe	
2	F200163	Air Trap Hose	
3	F601539	Reinforcing Back Plate	N/A
4	F602075	Support Bracket	N/A
5	F430317	Washer	
6	F430935	Screw	
7	F430415	Pin	
8	F200201	Clamp	#56
9	F430202	Locknut	
10	F430326	Washer	
11	F100151	Pop-Release Bearing	
12	F601560	Frame Assembly	UW65PV
	F602638	Frame Assembly	UW85PV; N/A
13	F430212	Nut	
14	F430321	Lockwasher	
15	F100204	Rubber Slinger	
16	F430211	Nut	
17	F430322	Lockwasher	
18	F601360	Seal Holder	
19	F430913	Screw	
20	F100293	Shaft Seal	
21	F602506	Collar Assembly	
	F730083	New Style Seal Kit	
22	F601629	Scupper	N/A
23	36801	Clamp	#6
24	F610508	Scupper Hose	N/A
25	F603730	Shell Weldment	UW65PV
	F603731	Shell Weldment	UW85PV

N/A = Part no longer available

Soap Dispenser Supply Plumbing



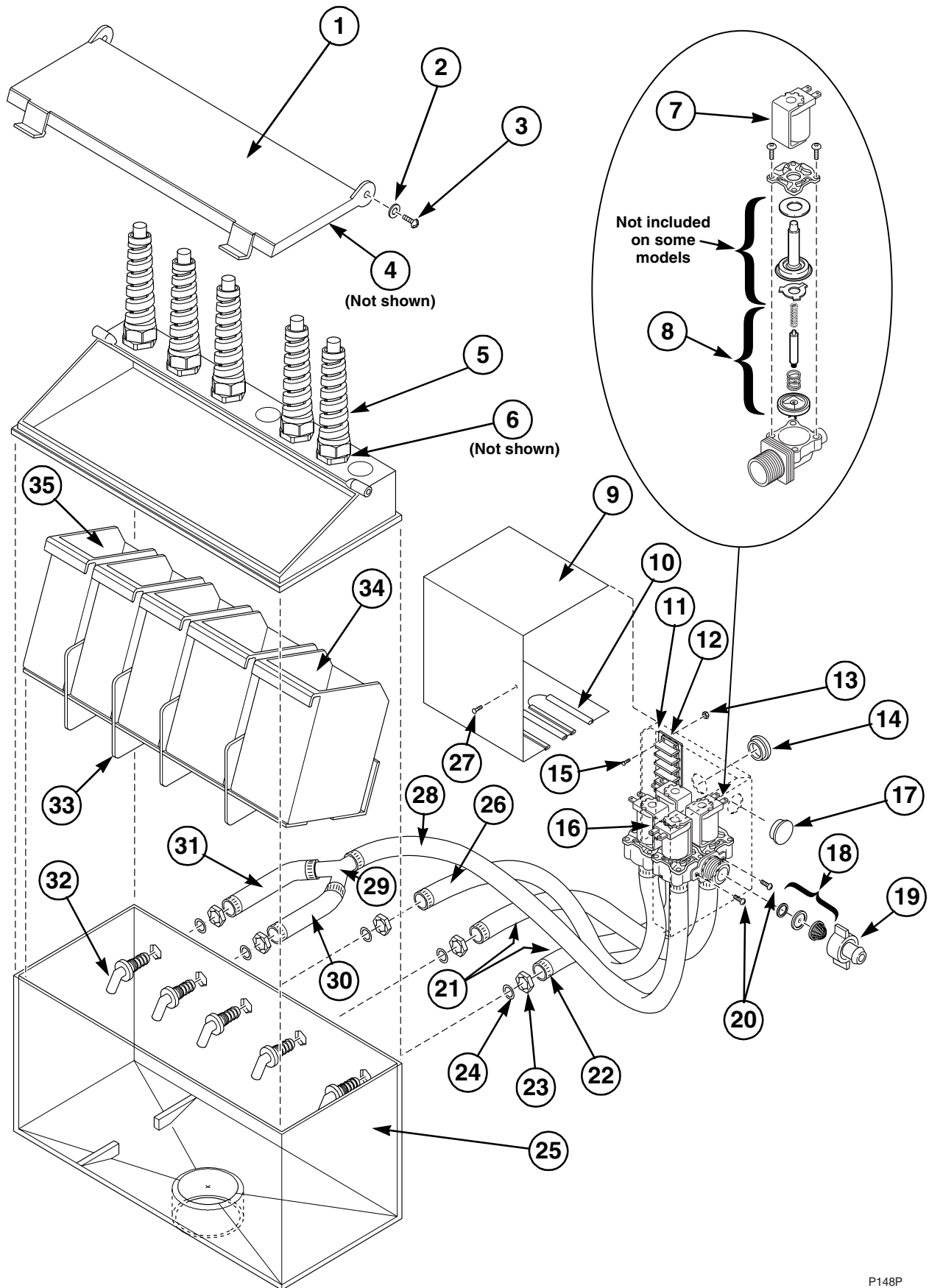
P147P

Soap Dispenser Supply Plumbing

REF	PART #	DESCRIPTION	COMMENTS
	F230301	Decal	This machine must be protected by a circuit breaker. DO NOT USE FUSES!
	F230606	Decal	External supply control connections inside this box.
1	F380900	Valve Coil	
2	F380938	Valve Repair Kit	4-Way; 10 mm
3	F603412	Soap Supply Cup	
4	F430152	Screw	
5	F603650	Supply Valve Cover	
6	F230622	Decal	
7	F140738	Terminal Strip	
8	F431022	Nut	
9	F140909	Insulator Bushing	
10	F140527	Plug	
11	F380106	Flow Restrictor	8 liter
12	F200302	Hose Connector	
13	F430948	Screw	
14	F610196	Hose	
15	F620398	Hose	N/A
16	F380715	4-Way Valve	Complete
17	F430916	Screw	
18	F170402	Gasket	1'
19	F610086	Hose	
20	F610088	Hose	
21	36801	Hose Clamp	#6
22	F170400	Trim	Cut to fit
23	F730168	Nozzle Kit	

N/A = Part no longer available

Polypropylene Soap Dispenser Supply Plumbing

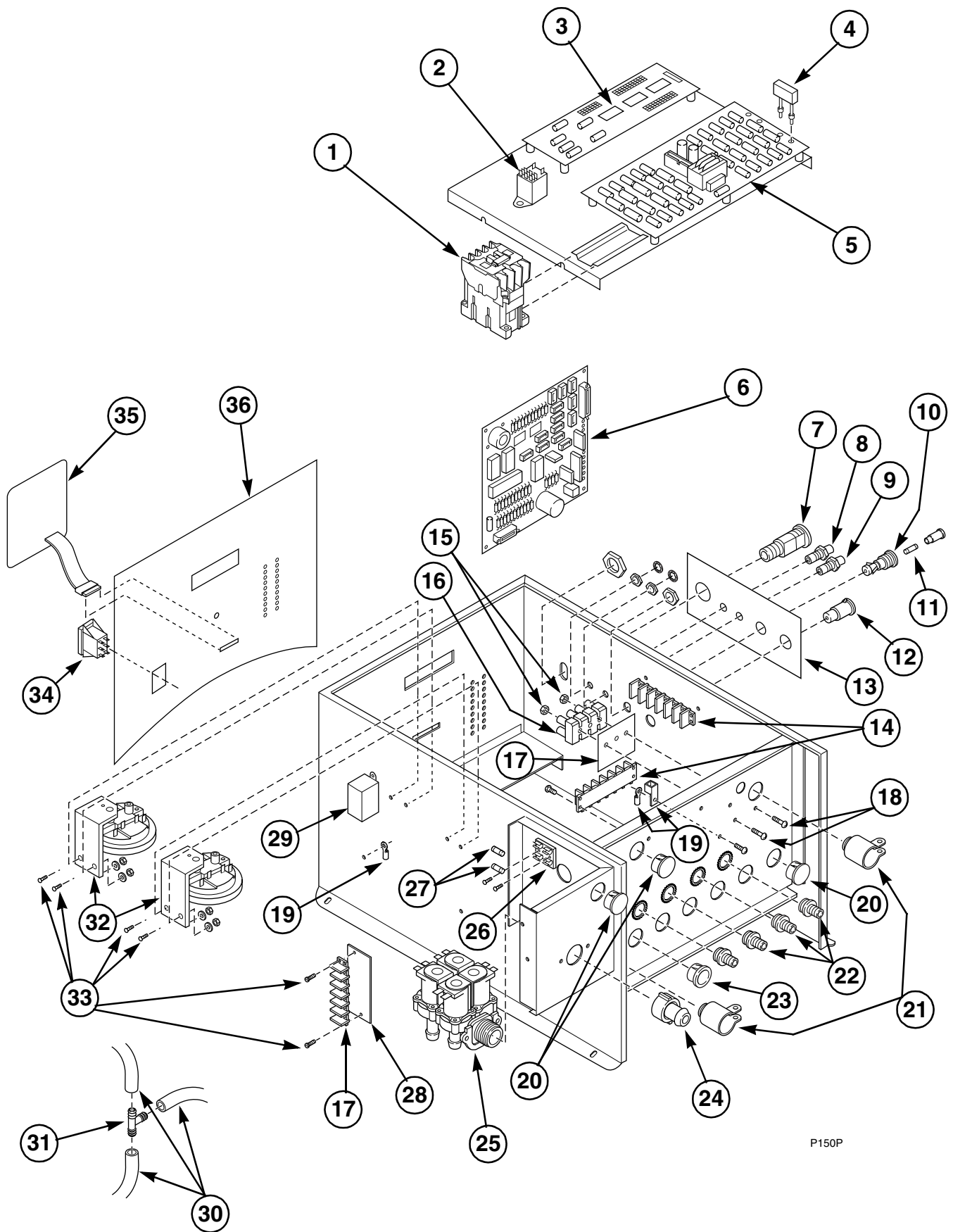


P148P

Polypropylene Soap Dispenser Supply Plumbing

REF	PART #	DESCRIPTION	COMMENTS
	F230606	Decal	External supply control connections inside this box.
	F230301	Decal	This machine must be protected by a circuit breaker. DO NOT USE FUSES!
1	F150384	Dispenser Lid	
2	F431133	Washer	
3	F430917	Screw	
4	F170158	Soap Dispenser Gasket	Order by foot
5	F140340	Strain Relief Connector	
6	F170215	O-Ring	
7	F380900	Valve Coil	Mueller
8	F380938	Valve Repair Kit	4-Way; 10 mm
9	F608960	Supply Valve Cover	
10	F170402	Gasket	1'
11	F230622	Decal	
12	F140738	Terminal Strip	
13	F431022	Nut	
14	F140909	Insulator Bushing	
15	F430916	Screw	
16	F380715	4-Way Valve	
17	F140527	Plug	
18	F380106	Flow Restrictor	8 liter
19	F200302	Hose Connector	
20	F430948	Screw	
21	F610226	Hose	
22	36801	Clamp	#6
23	F430224	Nut	
24	F170208	O-Ring	
25	F150500	Soap Dispenser Assembly	
26	F610086	Hose	
27	F430152	Screw	
28	F610444	Hose	
29	F422808	"Y" Connector	
30	F610096	Hose	
31	F610197	Hose	
32	F380300	Injection Nozzle	
33	F150388	Dry Supply Insert	
34	F150386	Supply Cup	32 oz.
35	F150385	Supply Cup	20 oz.

Control Module



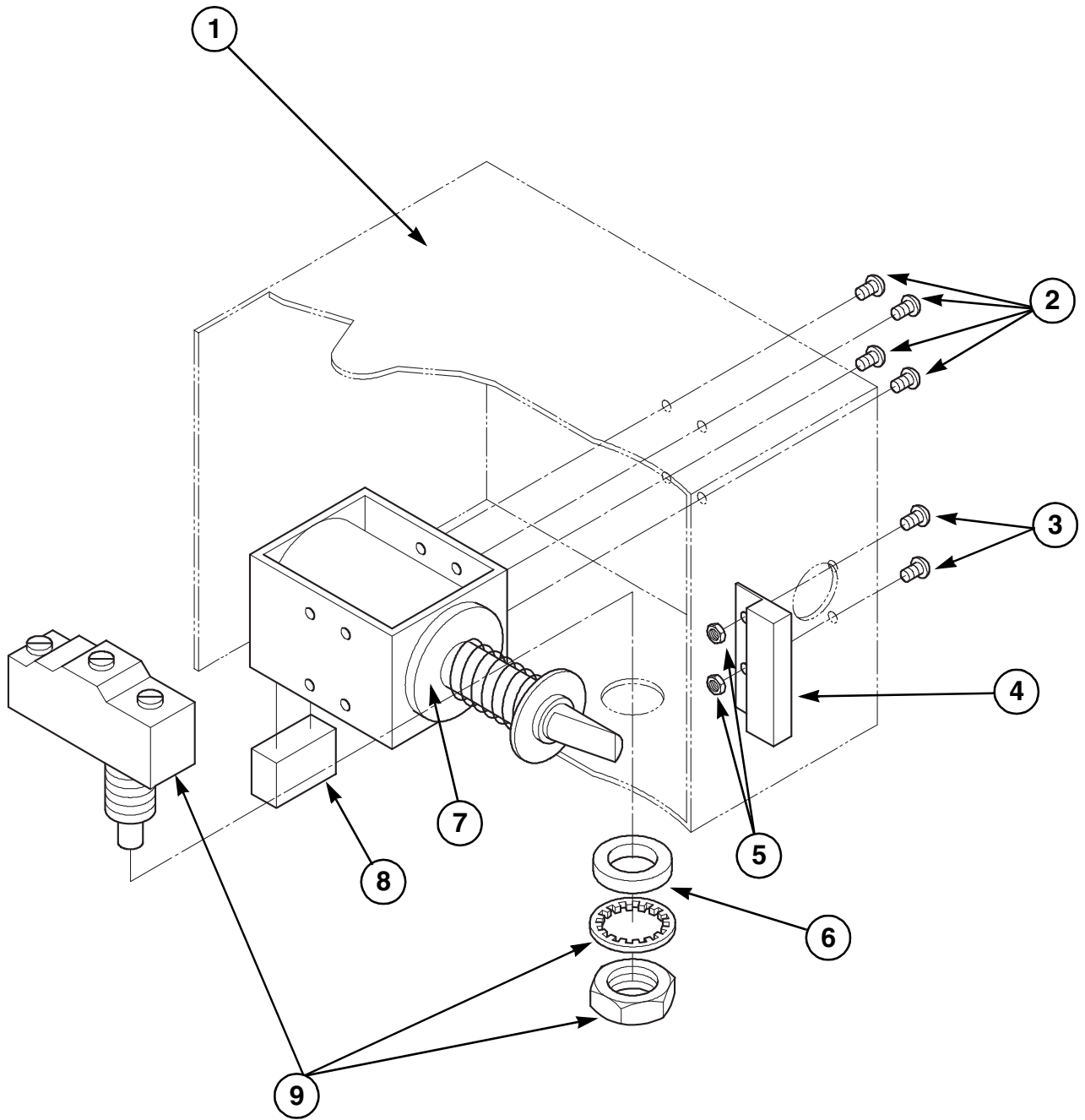
P150P

Control Module

REF	PART #	DESCRIPTION	COMMENTS
	F230630	Decal	Ground
	F00521-MDL	Complete UW65PVQ Control Module Assembly	200-240-50/60-3
	F00541-MDL	Complete UW85PVQ Control Module Assembly	200-240-50/60-3
	F00520-MDL	Complete UW65PVP Control Module Assembly	380-480-50/60-3
	F00543-MDL	Complete UW85PVP Control Module Assembly	380-480-50/60-3
1	F330175	Contactor	
2	F330227	Flange Relay	
3	F370577P	Interface Board	
4	F330217	RC Network Filter	
5	F370444P	Solid State/Relay Board	WE-6
6	F370534-10	Computer	WE-6
7	F730186	Double Pole Switch Kit	
8	F140575	Feedthrough Connector	Gray
9	F140576	Feedthrough Connector	Blue
10	F350304	Fuse Holder	
11	F350104	Fuse	2 Amp
12	F350400	Thermal Overload Thermal Light	Red; N/A
13	F230678	Decal	Keypad Switch
14	F140738	Terminal Strip	
15	F431022	Nut	
16	F140746	Input Power Terminal Block	
17	F230677	Decal	Input Power Connector
18	F430916	Screw	
19	F140734	Terminal Ground Lug	
20	F140527	Plug	
21	F140311	Connector	
22	F140309	Connector	
23	F140909	Insulator Bushing	
24	F200302	Hose Connector	
25	F380715	4-Way Valve	
26	F350312	Dual Fuse Holder	N/A
27	F350115	Fuse	3 Amp; Metric
28	F230622	Decal	External Supply
29	F300200	Buzzer	
30	F422404	Tubing	
31	F422805	Tee	
32	F340308	Water Level Switch	
33	F430928	Screw	
34	F340412	Momentary Switch	
35	F230724	Decal	Keypad; WE-6
36	F230721	Decal	Control Module; WE-6

N/A = Part no longer available

Single Door Box

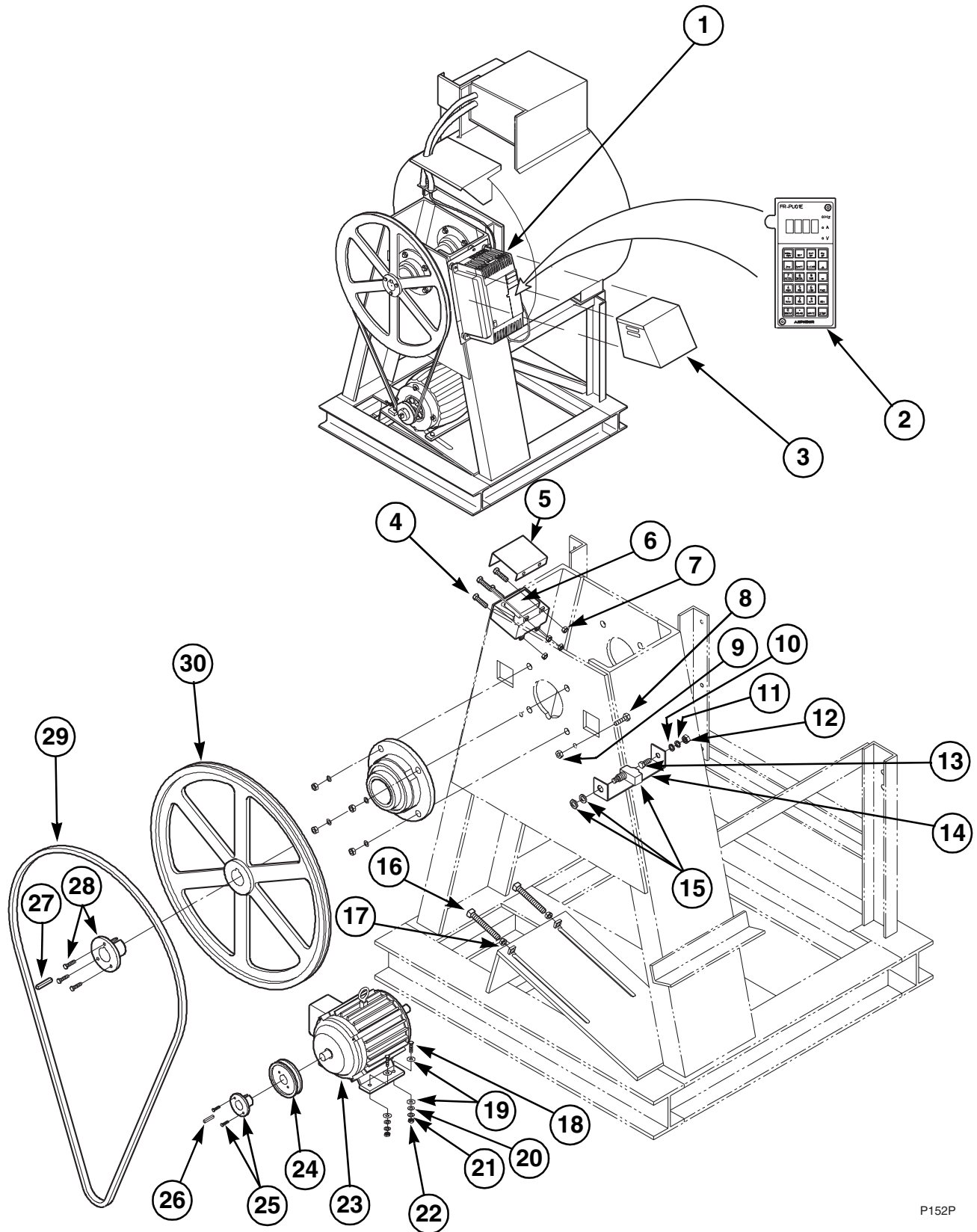


P151P

Single Door Box

REF	PART #	DESCRIPTION	COMMENTS
1	F607202	Door Box	
2	F430995	Screw	
3	F430917	Screw	
4	F340702	Magnetic Position Switch	
5	F430231	Locknut	
6	F432301	Interlock Switch Spacer	
7	F300118	Door Lock Solenoid	
8	F330217	RC Network Filter	
9	F340900	Interlock Switch	

Motors, Drives and Balance Switch



P152P

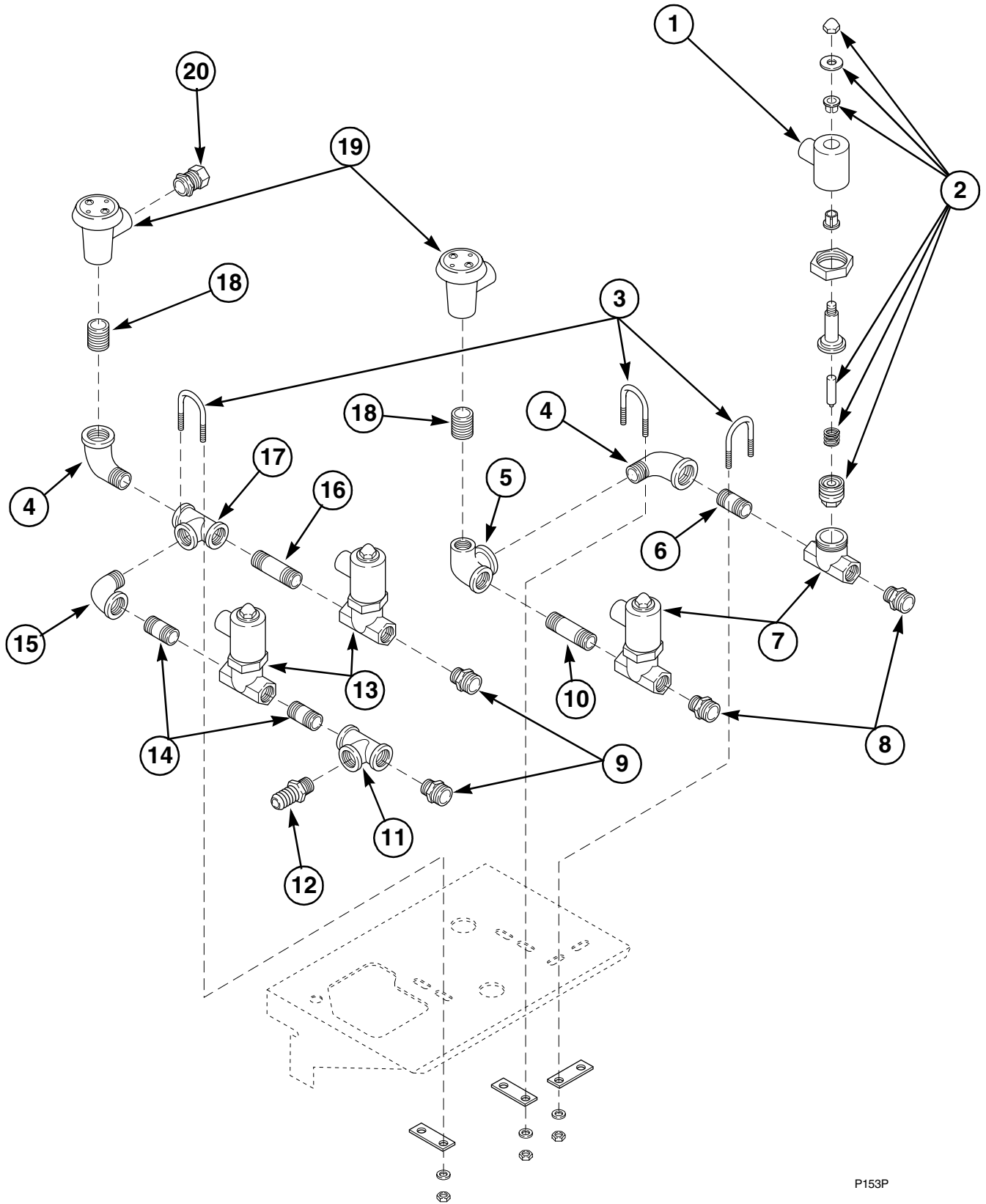
Motors, Drives and Balance Switch

REF	PART #	DESCRIPTION	COMMENTS
1	F370578	Drive	PVQ
	F370579	Drive	PVP
2	F730529	Parameter Unit Kit	N/A
3	F140424	A.C. Drive Cover	N/A
4	F430107	Screw	
5	F140425	Insulated Transformer Cover	
6	F360124	Transformer	.150 Kilovolt-Ampere
	F360115	Transformer	.250 Kilovolt-Ampere
	F360123	Transformer	.350 Kilovolt-Ampere; N/A
	F360104	Transformer	.500 Kilovolt-Ampere
7	F430125	Screw	
8	F430124	Screw	
9	F430206	Nut	
10	F430301	Washer	
11	F430305	Lockwasher	
12	F430205	Nut	
13	F430109	Screw	
14	F601750	Balance Switch Bracket	
15	F340900	Interlock Switch	
16	F430509	Bolt	
17	F430205	Nut	
18	F430993	Screw	
19	F430124	Screw	
20	F430301	Washer	
21	F430305	Lockwasher	
22	F430205	Nut	
23	F220216	Motor	
24	F280146	Pulley	
25	F280242	Motor Bushing	
26	F430802	Key	
27	F430801	Key	
28	F280213	Bushing	
29	F280355	Belt	
30	F280241	Pulley	

N/A = Part no longer available

Spray and Fill Plumbing

UW65



P153P

Spray and Fill Plumbing

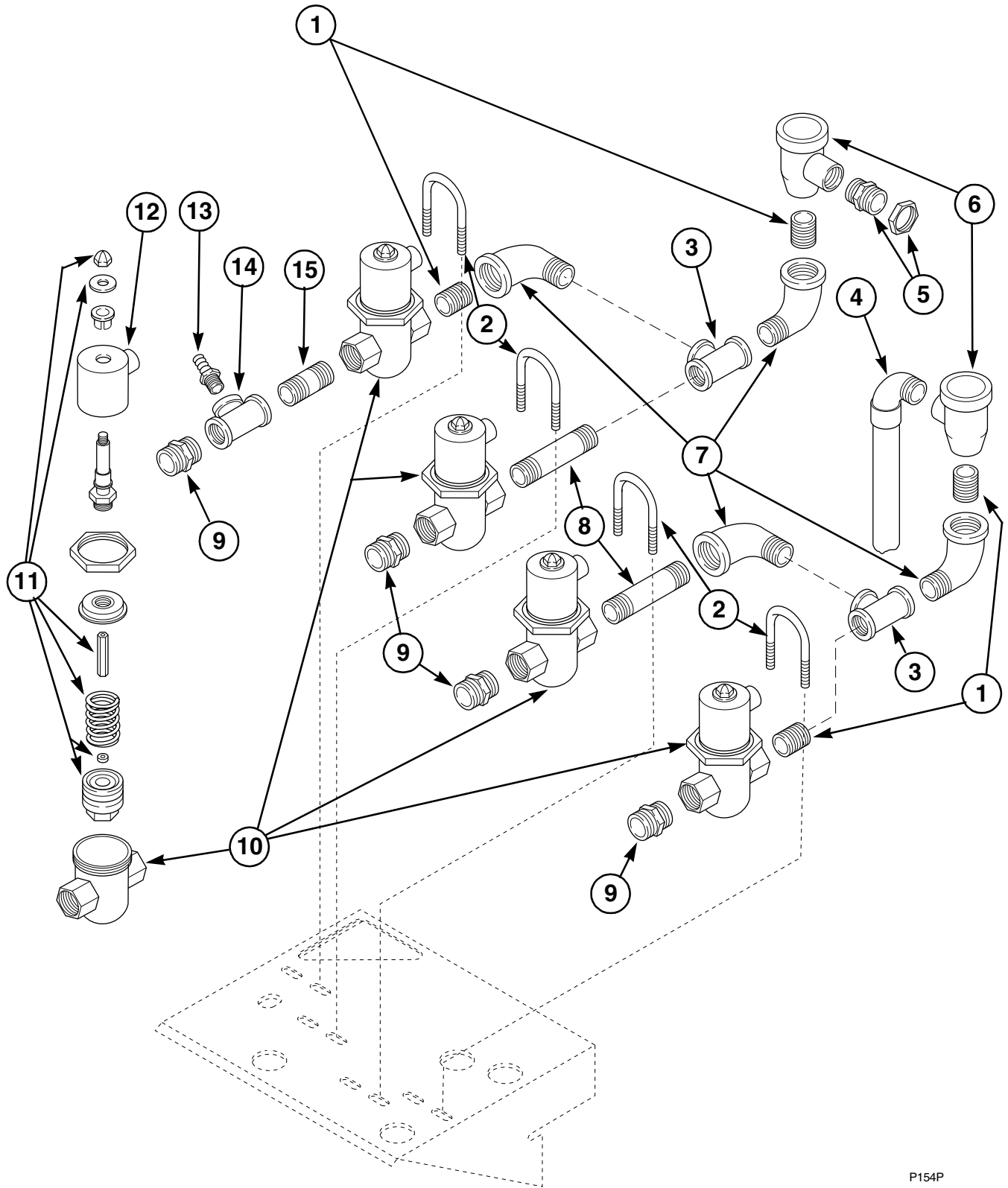
UW65

REF	PART #	DESCRIPTION	COMMENTS
	F380915	Repair Kit	Each valve requires 1 repair kit
	F380914	Repair Kit	Each valve requires 1 repair kit
	F605788	Fill Plumbing Assembly	WU65; N/A
	F604057	Spray Plumbing Assembly	UW65; N/A
	F730501	Fill/Drain Hose Kit	NPT
	F730502	Fill/Drain Hose Kit	EXPT; N/A
	F200106	Drain Hose Kit	
	F200164	Fill Hose Kit with Spray	NPT
	F730516	Fill Hose Kit with Spray	EXPT
	F605793	Upper Fill Assembly	Not pictured; Connects to manifold
1	F380901	Coil	
2	F380915	Hays Repair Kit	
3	F200401	U-Bolt Clamp	#5; Includes hardware
4	F420502	Elbow	
5	F420509	Elbow	
6	F420106	Nipple	
7	F380702	Solenoid Valve	
8	F421909	Adapter	
9	F421908	Adapter	
10	F420108	Nipple	
11	F420400	Tee	
12	F421903	Adapter	
13	F380700	Solenoid Valve	
14	F420101	Nipple	
15	F420500	Elbow	
16	F420103	Nipple	
17	F420401	Tee	
18	F420105	Nipple	
19	F380800	Vacuum Breaker Valve	
20	F422106	Connector	

N/A = Part no longer available

Spray and Fill Plumbing

UW85



P154P

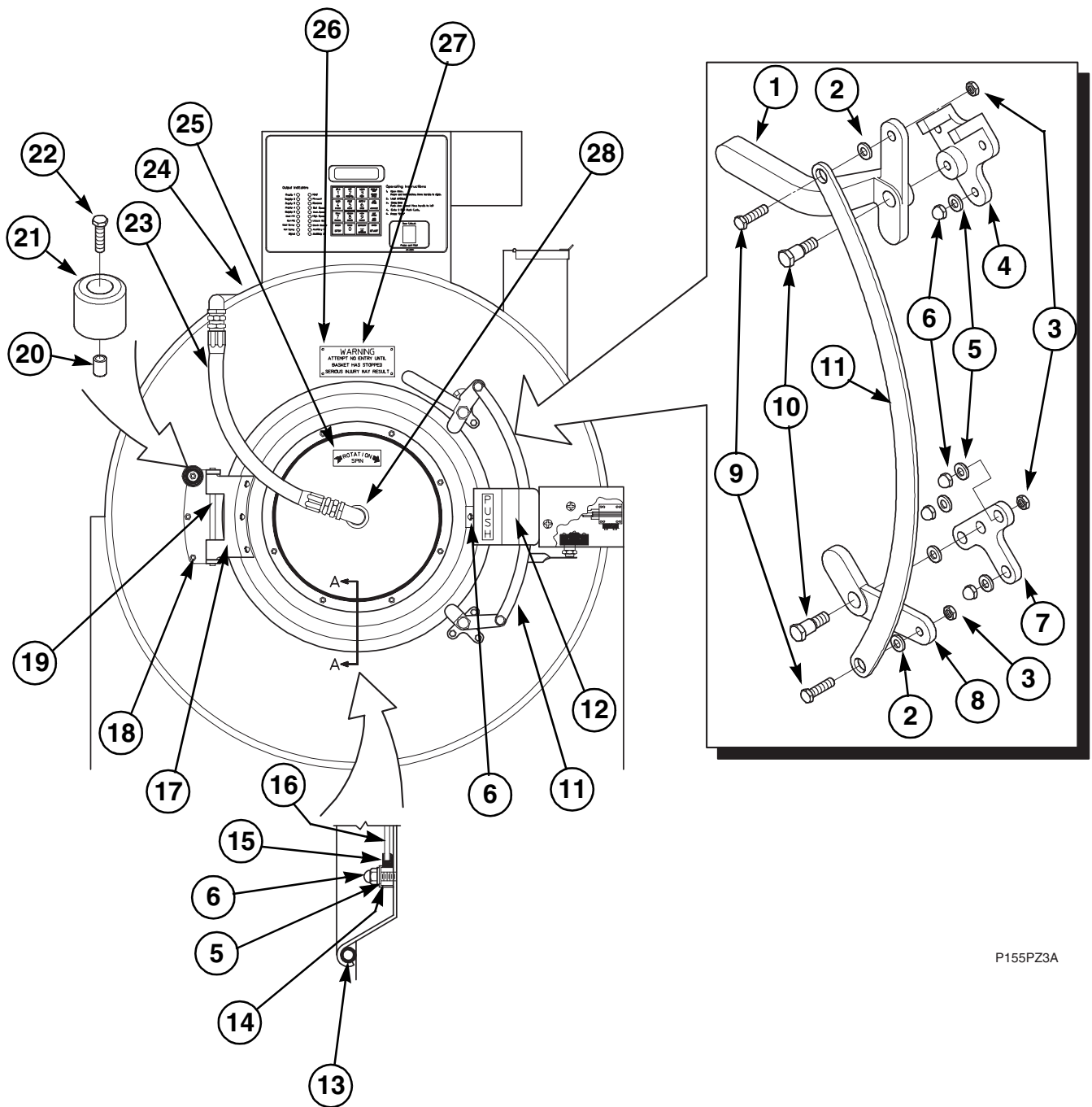
Spray and Fill Plumbing

UW85

REF	PART #	DESCRIPTION	COMMENTS
	F730501	Fill/Drain Hose Kit	NPT
	F730502	Fill/Drain Hose Kit	EXPT; N/A
	F200106	Drain Hose Kit	
	F200164	Fill Hose Kit	NPT; With spray
	F730516	Fill Hose Kit	EXPT; With spray
	F603831	Fill Manifold Plumbing Assembly	N/A
	F603832	Spray Manifold Plumbing Assembly	
1	F420105	Nipple	
2	F200402	U-Bolt Clamp	#11
3	F420403	Tee	
4	F610260	Top Fill Tube Assembly	
5	F422016	Fluid Connector	N/A
6	F380800	Vacuum Breaker Valve	
7	F420502	Elbow	
8	F420108	Nipple	
9	F421909	Adapter	
10	F380702	Solenoid Valve	
11	F380915	Repair Kit	
12	F380901	Coil	
13	F421930	Hose Barb	
14	F420402	Tee	
15	F420106	Nipple	

N/A = Part no longer available

Door and Related Parts



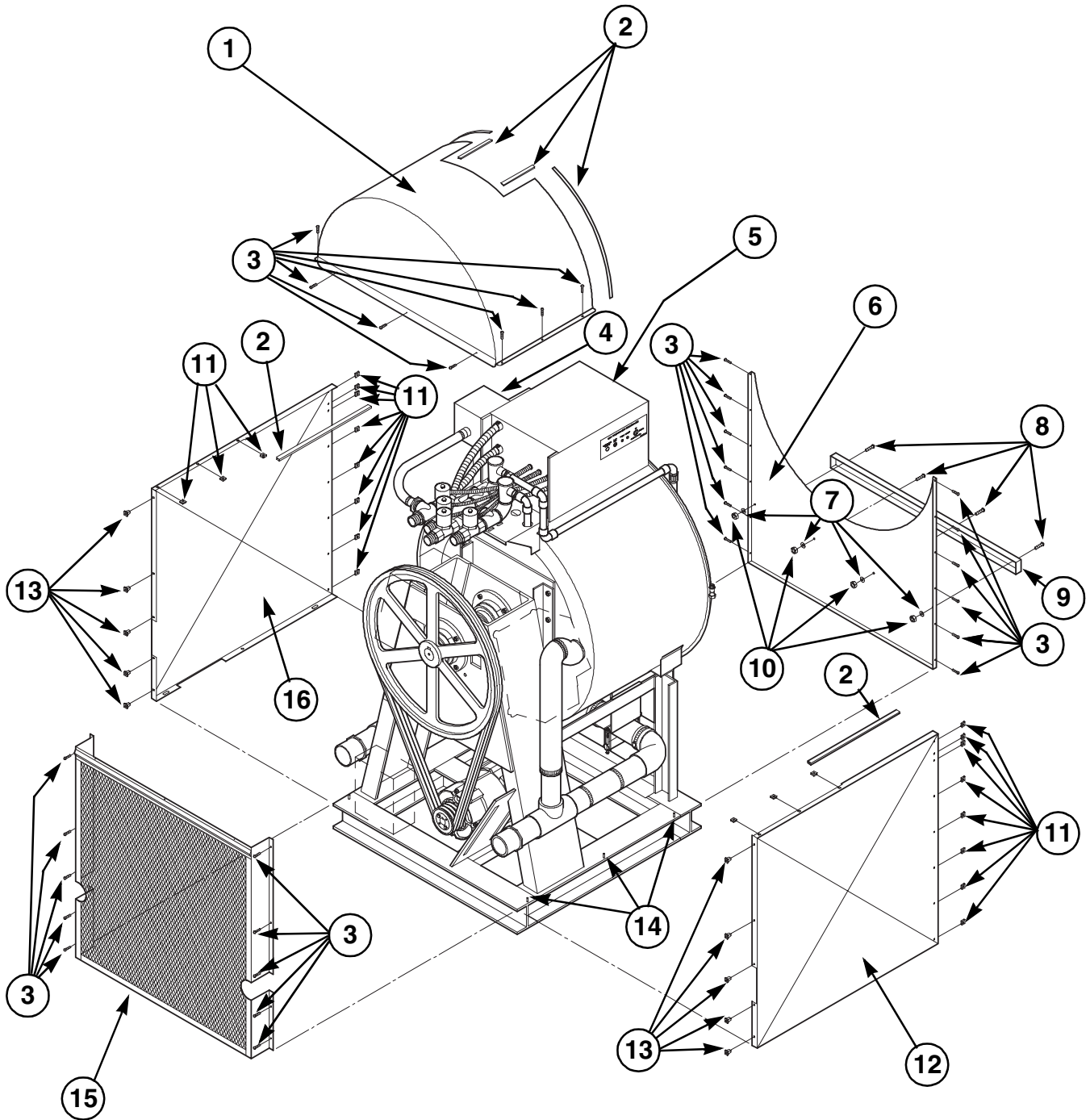
P155PZ3A

Door and Related Parts

REF	PART #	DESCRIPTION	COMMENTS
	F730077	Spray Rinse Nozzle Kit	Includes F430905 (screw), F170201 (Spray & Nozzle O-ring), and F380301 (Spray Rinse Nozzle)
	F730540	Door Kit	Includes items 1 through 11; Single door box
1	F150203	Door Handle	N/A
2	F431118	Washer	
3	F430205	Nut	
4	F150201	Top Latch Bracket	
5	F431100	Lockwasher	
6	F430214	Nut Cap	
7	F150202	Lower Latch Bracket	N/A
8	F150204	Lower Door Latch	
9	F430927	Screw	
10	F430168	Screw	
11	F602256	Extension Arm	
12	F746202-1	Push Handle Kit	N/A
13	F170145	Door Gasket	
14	F601239	Glass Retainer	
15	F170117	Door Glass Gasket	
16	F290200	Glass	
17	F150209	Door Hinge Strap	
18	F601245	Door Butt	
19	F601815	Door Hinge Pin	
20	F430416	Bushing	
21	F150366	Door Bumper	
22	F430103	Screw	
23	F730024	Spray Rinse Hose Kit	
24	F610364	Spray Rinse Tube Assembly	
25	F230652	Decal	Rotation
26	F431210	Rivet	
27	F230200	Warning Plate	
28	F422319	Elbow	

N/A = Part no longer available

Cover Panels



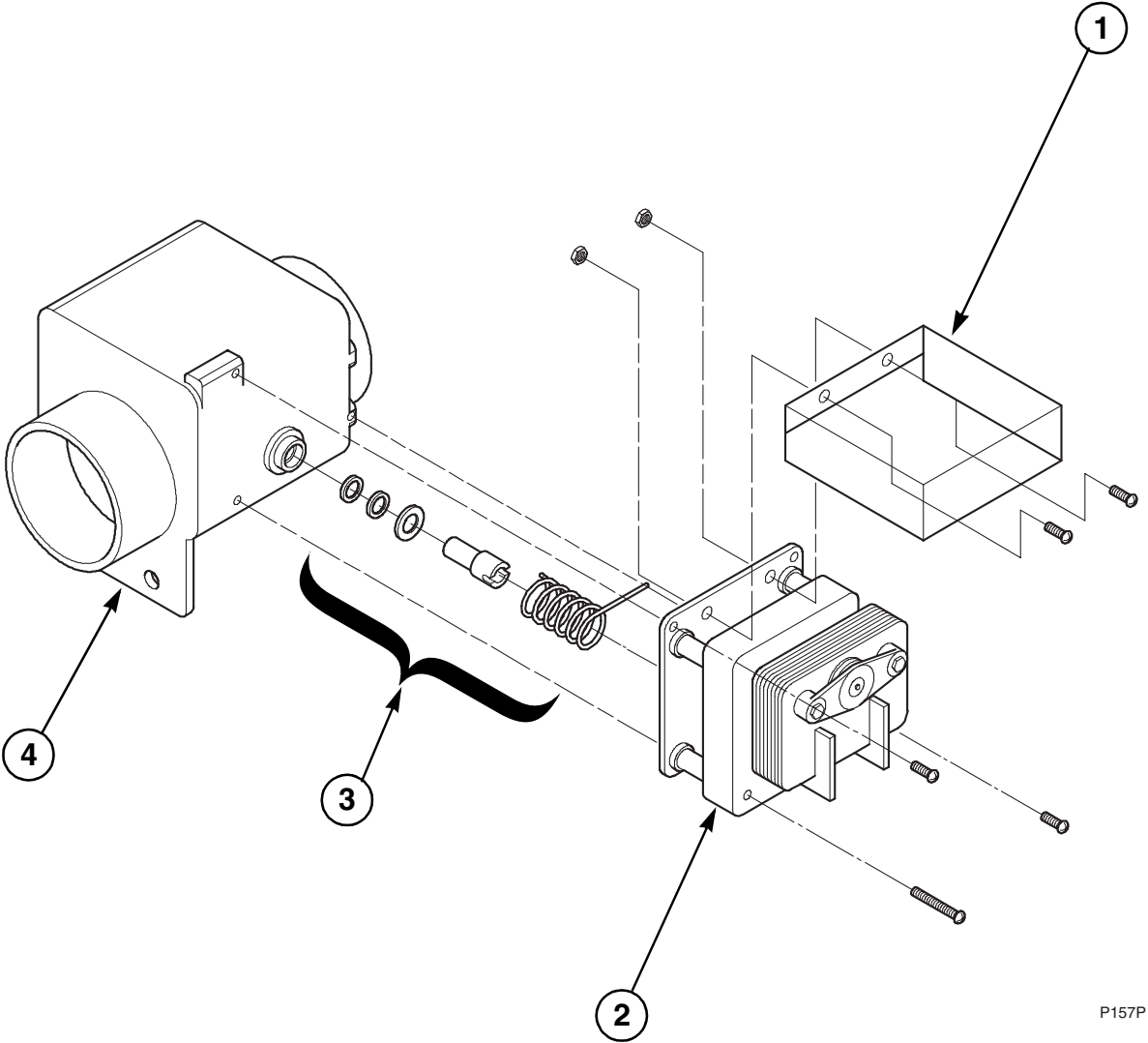
P156P

Cover Panels

REF	PART #	DESCRIPTION	COMMENTS
1	F604035	Cage Wrap Kit	UW65; N/A
	F757800	Cage Wrap Kit	UW85
2	F170400	Trim	
3	F430901	Screw	
4	F603650	Supply Valve Cover	
5	F606138	Module Cover Assembly	
6	F601198	Front Panel	
7	F431100	Lockwasher	
8	F430921	Screw	
9	F601236	Rub Rail	
10	F430211	Nut	
11	F430606	Nut	
12	F602893	Left Side Panel	UW65
	F602894	Left Side Panel	UW85
13	F431804	Nut	
14	F430415	Pin	
15	F604088	Expanded Metal Back Assembly	
16	F602009	Right Side Panel	UW65
	F602010	Right Side Panel	UW85

N/A = Part no longer available

Ball Drain Valve Assembly



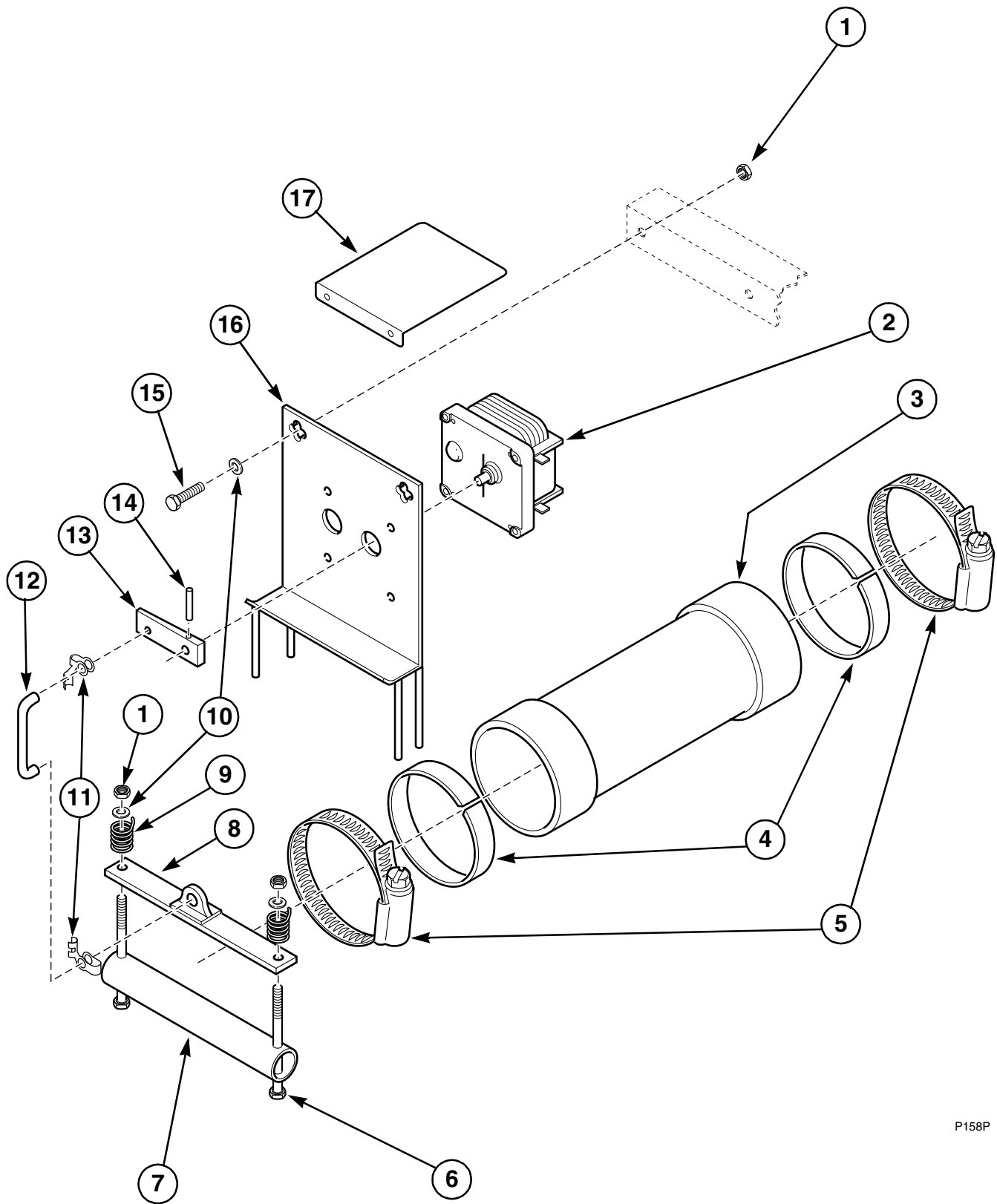
P157P

Ball Drain Valve Assembly

REF	PART #	DESCRIPTION	COMMENTS
	F380600	Complete Drain Valve	110 Volt
	F380629	Complete Drain Valve	220 Volt
1	F602761	Drain Cover	
2	F380943	Drain Valve Motor	110 Volt; Keyed shaft
	F380932	Drain Valve Motor	110 Volt; Round shaft
	F6159764	Drain Valve Motor	220 Volt; Keyed shaft
	F380933	Drain Valve Motor	220 Volt; Round shaft
3	F380918	Main Drive Kit	N/A
4	F380920	Drain Valve Body	3"; Not available separately

N/A = Part no longer available

Motorized Drain Valve

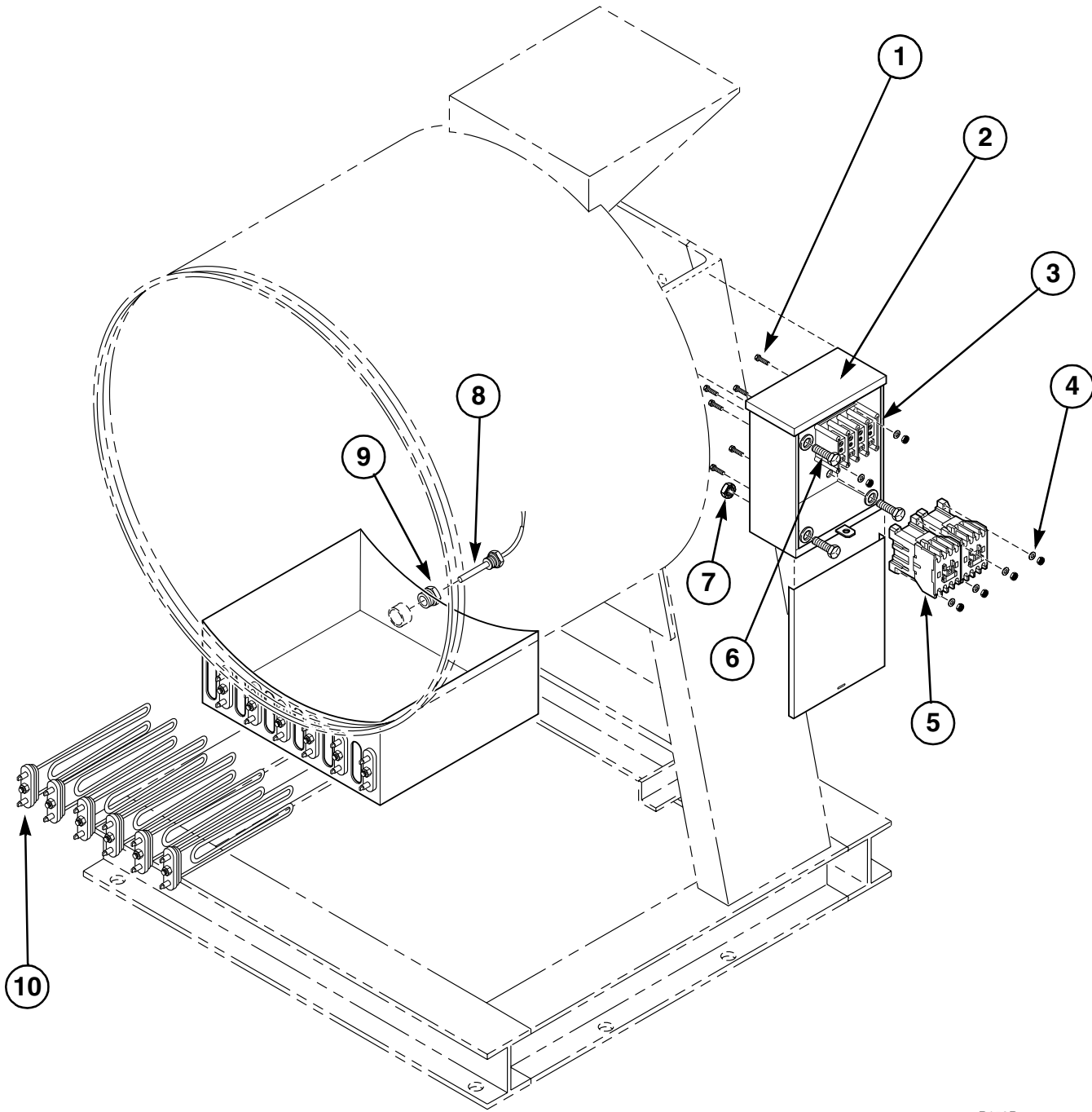


P158P

Motorized Drain Valve

REF	PART #	DESCRIPTION	COMMENTS
	F730001	Drain Valve Kit	
	F430920	Screw	8 required
1	F430215	Locknut	
2	F380932	Drain Valve Motor	
3	F200126	Hose	
4	F601244	Chafe Strip	
5	F200201	Clamp	#56
6	F430101	Screw	
7	F602101	Drain Lift Tube	
8	F603441	Drain Valve Lift Bar Assembly	
9	F310101	Spring	
10	F430317	Washer	
11	F431205	Clip	
12	F602274	Drain Valve Linkage	
13	F602222	Drain Valve Arm	
14	F431219	Roll Pin	
15	F430103	Screw	
16	F602351	Drain Valve Bracket Assembly	
17	F602372	Drain Valve Motor Cover	

Electric Heat Option

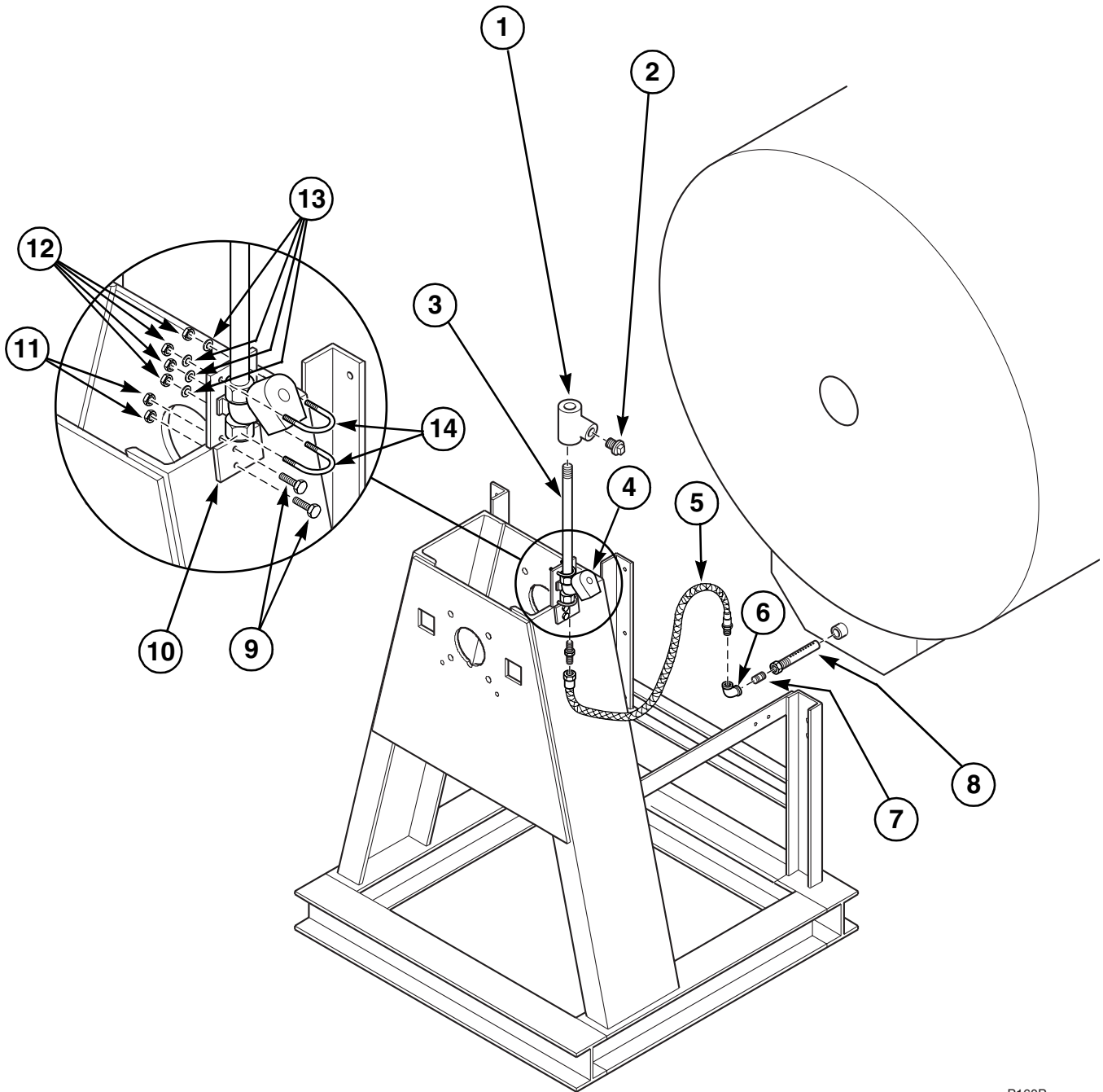


P159P

Electric Heat Option

REF	PART #	DESCRIPTION	COMMENTS
1	F430938	Screw	
2	F140413	Pattern D Box	
3	F140746	Input Power Block	
4	F430311	Washer	
5	F330150	Contactor	
6	F430107	Screw	
7	F430215	Locknut	
8	F370606	Temperature Probe	P models only
9	F421936	Reducer Bushing	
10	F360203	Heating Element	

Auxiliary Steam Heat Option



P160P

Auxiliary Steam Heat Option

REF	PART #	DESCRIPTION	COMMENTS
	F608777	Steam Option Plumbing Assembly	N/A
1	F270307	Steam Filter	
2	F420409	Plug	
3	F420701	Nipple	
4	F380786	Steam Coil	
5	F200153	Steam Hose	
6	F420501	Elbow	
7	F420101	Nipple	
8	F603131	Steam Injection Tube Assembly	
	F603048	Steam Injection Tube	
	F603050	Steam Bushing	
	F603134	Steam Plug	
9	F430913	Screw	
10	F607268	Steam Valve Bracket	
11	F430215	Locknut	
12	F430211	Nut	
13	F430322	Lockwasher	
14	F200401	U-Bolt Clamp	#5

N/A = Part no longer available

Parts Index

A

Adapter	
F421903	19
F421908	19
F421909	19, 21
Air Trap Hose	
F200163	7
A.C. Drive Cover	
F140424	17

B

Balance Switch Bracket	
F605750	17
Basket/Shaft Assembly	
F604906	5
F604907	5
Belt	
F280355	17
Bolt	
F430509	17
Bushing	
F280213	17
F430416	23
Buzzer	
F300200	13

C

Cage Wrap Kit	
F604035	25
F757800	25
Chafe Strip	
F601244	29
Clamp	
F200201	5, 7, 29
F200213	5
36801	7, 11
Clip	
F431205	29
Coil	
F380901	19, 21
Collar Assembly	
F602506	7
Complete UW65PVP Control Module Assembly	
F00520-MDL	13
Complete UW65PVQ Control Module Assembly	
F00521-MDL	13
Complete UW85PVP Control Module Assembly	
F00543-MDL	13
Complete UW85PVQ Control Module Assembly	
F00541-MDL	13
Computer	
F370534-10	13

Connector	
F140309	13
F140311	13
F422106	19

Contactors	
F330150	31
F330175	13

Coupling	
F420301	5
F422700	5

D

Decal	
F230301	9, 11
F230606	9, 11
F230622	9, 11, 13
F230630	13
F230652	23
F230677	13
F230678	13
F230721	13
F230724	13

Dispenser Lid	
F150384	11

Door Box	
F607202	15

Door Bumper	
F150366	23

Door Butt	
F601245	23

Door Gasket	
F170145	23

Door Glass Gasket	
F170117	23

Door Handle	
F150203	23

Door Hinge Pin	
F601815	23

Door Hinge Strap	
F150209	23

Door Kit	
F730540	23

Door Lock Solenoid	
F300118	15

Double Pole Switch Kit	
F730186	13

Drain Cover	
F602761	27

Drain Hose Kit	
F200106	19, 21

Drain Lift Tube	
F602101	29

Drain Valve Arm	
F602222	29

Drain Valve Body	
F380920	27

Drain Valve Bracket	
F602351	29

Drain Valve Kit	
F730001	29

Drain Valve Lift Bar Assembly F603441	29
Drain Valve Linkage F602274	29
Drain Valve Motor F380932	27, 29
F380933	27
F380943	27
F6159764	27
Drain Valve Motor Cover F602372	29
Drain Valve, Complete F380600	27
F380629	27
Drive F370578	17
F370579	17
Dry Supply Insert F150388	11
Dual Fuse Holder F350312	13

E

Elbow F420500	19
F420501	33
F420502	19, 21
F420505	5
F420509	19
F422319	23
F422900	5
Expanded Metal Back Assembly F604088	25
Extension Arm F602256	23

F

Feedthrough Connector F140575	13
F140576	13
Fill Hose Kit F200164	21
F730516	21
Fill Hose Kit with Spray F200164	19
F730516	19
Fill Manifold Plumbing Assembly F603831	21
Fill Plumbing Assembly F605788	19
Fill Tube F421202	5
Fill/Drain Hose Kit F730501	21
F730502	21
Fill/Drain Hose Kit with Spray F730501	19
F730502	19
Flange Relay F330227	13

Flow Restrictor F380106	9, 11
Fluid Connector F422016	21
4-Way Valve F380715	9, 11, 13
Frame Assembly F601560	7
F602638	7
Front Panel F601198	25
Fuse F350104	13
F350115	13
Fuse Holder F350304	13

G

Gasket F170402	9, 11
Glass F290200	23
Glass Retainer F601239	23

H

Hays Repair Kit F380915	19
Heating Element F360203	31
Hose F200126	29
F610076	5
F610086	9, 11
F610088	9
F610096	11
F610196	9
F610197	11
F610226	11
F610444	11
F620398	9
Hose Barb F421929	5
F421930	21
Hose Clamp 36801	9
Hose Connector F200302	9, 11, 13

I

Injection Nozzle F380300	11
Input Power Block F140746	31
Input Power Terminal Block F140746	13
Insulated Transformer Cover F140425	17

Insulator Bushing	
F140909	9, 11, 13
Interface Board	
F370577P	13
Interlock Switch	
F340900	15, 17
Interlock Switch Spacer	
F432301	15

K

Key	
F430801	17
F430802	17

L

Left Side Panel	
F602893	25
F602894	25
Locknut	
F430202	7
F430215	29, 31, 33
F430231	15
Lockwasher	
F430305	5, 17
F430321	7
F430322	7, 33
F431100	23, 25
Lower Door Latch	
F150204	23
Lower Latch Bracket	
F150202	23

M

Magnetic Position Switch	
F340702	15
Main Drive Kit	
F380918	27
Module Cover Assembly	
F606138	25
Momentary Switch	
F340412	13
Motor	
F220216	17
Motor Bushing	
F280242	17

N

New Style Seal Kit	
F730083	7
Nipple	
F420101	19, 33
F420103	19
F420105	19, 21
F420106	19, 21
F420108	19, 21
F420701	33

Nozzle Kit	
F730168	9
Nut	
F430205	5, 17, 23
F430206	17
F430211	25, 33
F430212	7
F430224	11
F430606	25
F431005	5
F431022	9, 11, 13
F431804	25
430211	7
Nut Cap	
F430214	23

O

O-Ring	
F170208	11
F170215	11

P

Parameter Unit Kit	
F730529	17
Pattern D Box	
F140413	31
Pin	
F430415	7, 25
Pipe	
F610031	5
F610036	5
F610039	5
F610040	5
F610093	5
F610095	5
F610813	5
F610814	5
Plug	
F140527	9, 11, 13
F420409	33
Pop-Release Bearing	
F100151	7
Pulley	
F280146	17
F280241	17
Push Handle Kit	
F746202-1	23

R

RC Network Filter	
F330217	13, 15
Reducer Bushing	
F421936	31
F422602	5
Reinforcing Back Plate	
F601539	7

Repair19	
Repair Kit	
F380914	19
F380915	19, 21
Right Side Panel	
F602009	25
F602010	25
Rivet	
F431210	23
Roll Pin	
F431219	29
Rub Rail	
F601236	25
Rubber Slinger	
F100204	7

S

Screw	
F430101	29
F430103	23, 29
F430107	17, 31
F430109	17
F430124	17
F430125	17
F430152	9, 11
F430168	23
F430500	5
F430901	25
F430913	7, 33
F430916	9, 11, 13
F430917	11, 15
F430920	29
F430921	25
F430924	5
F430927	23
F430928	13
F430935	7
F430938	31
F430948	9, 11
F430993	17
F430995	15
Scupper	
F601629	7
Scupper Hose	
F610508	7
Seal Holder	
F601360	7
Shaft Seal	
F100293	7
Shell Band Assembly	
F603910	5
F603911	5
Shell Front Kit	
F741303	5
Shell Gasket	
F170120	5
Shell Gasket Shield	
F601216	5
Shell Weldment	
F603730	7
F603731	7
Soap Dispenser Assembly	
F150500	11

Soap Dispenser Gasket	
F170158	11
Soap Supply Cup	
F603412	9
Solenoid Valve	
F380700	19
F380702	19, 21
Solid State/Relay Board	
F370444P	13
Spray Manifold Plumbing Assembly	
F603832	21
Spray Plumbing Assembly	
F604057	19
Spray Rinse Hose Kit	
F730024	23
Spray Rinse Nozzle Kit	
F730077	23
Spray Rinse Tube Assembly	
F610364	23
Spring	
F310101	29
Steam Bushing	
F603050	33
Steam Coil	
F380786	33
Steam Filter	
F270307	33
Steam Hose	
F200153	33
Steam Injection Tube	
F603048	33
Steam Injection Tube Assembly	
F603131	33
Steam Option Plumbing Assembly	
F608777	33
Steam Plug	
F603134	33
Steam Valve Bracket	
F607268	33
Strain Relief Connector	
F140340	11
Supply Cup	
F150385	11
F150386	11
Supply Valve Cover	
F603650	9, 25
F608960	11
Support Bracket	
F602075	5, 7

T

Tee	
F420400	19
F420401	19
F420402	21
F420403	21
F422803	5
F422805	13
Temperature Probe	
F370606	7, 31
Terminal Ground Lug	
F140734	13

Terminal Strip	
F140738	9, 11, 13
Thermal Overload Thermal Light	
F350400	13
Top Fill Tube	
F610260	21
Top Latch Bracket	
F150201	23
Transformer	
F360104	17
F360115	17
F360123	17
F360124	17
Trim	
F170400	9, 25
Tubing	
F422404	13

U

U-Bolt	
F200401	33
U-Bolt Clamp	
F200401	19
F200402	21
Upper Fill Assembly	
F605793	19

V

Vacuum Breaker Valve	
F380800	19, 21
Valve Coil	
F380900	9, 11
Valve Repair Kit	
F380938	9, 11

W

Warning Plate	
F230200	23
Washer	
F430301	5, 17
F430311	31
F430317	5, 7, 29
F430326	7
F431118	23
F431133	11
Water Level Switch	
F340308	13

Y

Y Connector	
F422808	11