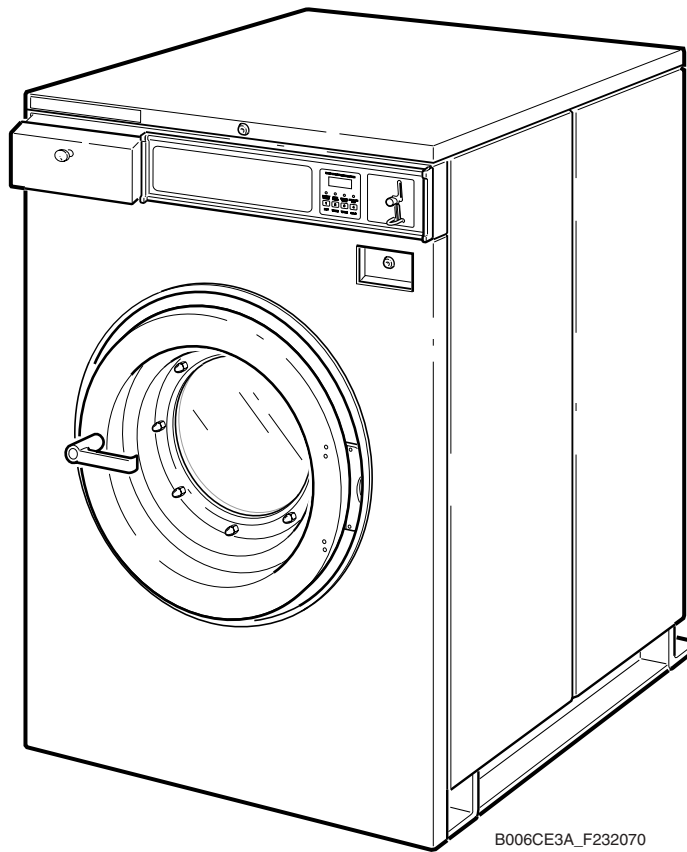


# Washer- Extractor

Cabinet Hardmount  
SC80, UC80 and HC80  
3-Speed Models  
Refer to Page 3 for Model Numbers



B006CE3A\_F232070



# Table of Contents

Title	Page
Parts Ordering Information.....	2
Nameplate Location .....	2
Model Identification .....	3
Decals .....	4
Control Module.....	6
Control Module.....	8
Control Module.....	10
Control Module.....	12
Front Panels.....	14
Non-Display Coin Drop and Keypad .....	16
Display Coin Meter Assembly .....	18
Display Coin Meter Assembly .....	20
Switch Assembly.....	22
Cover Panels and Frame .....	24
Supply Dispenser.....	26
Door Assembly.....	28
Door Lock Assembly .....	30
Door Lock Assembly .....	32
Basket and Shell Assembly .....	34
Basket and Shell Assembly .....	36
Water Inlet Valves.....	38
Water Inlet Valves.....	40
External Water Filter (Optional) and Water Supply Hose.....	42
Siphon Break, Hoses and Vent Hoses.....	44
Inlet Valve Hoses .....	46
Drain System .....	48
Bearings, Basket Pulley and Grease Manifold.....	50
Motors .....	52
Parts Index.....	55

© Copyright 2004, Alliance Laundry Systems LLC

All rights reserved. No part of the contents of this book may be reproduced or transmitted in any form or by any means without the expressed written consent of the publisher.

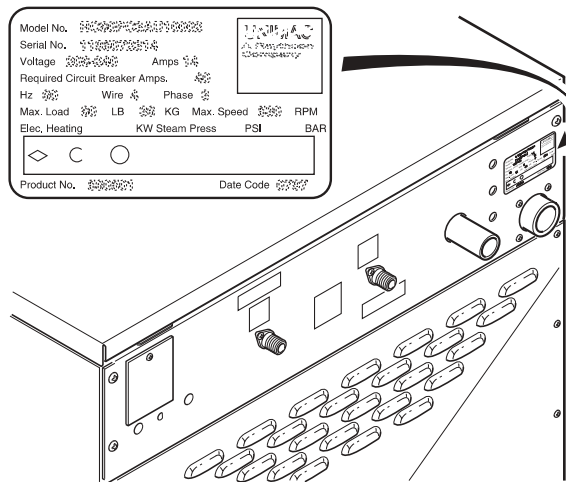
# Parts Ordering Information

If literature or replacement parts are required, contact the source from whom the machine was purchased or contact Alliance Laundry Systems at (920) 748-3950 for the name and address of the nearest authorized parts distributor.

For technical assistance, call (920) 748-3121.

## Nameplate Location

When calling or writing about your product, be sure to mention model and serial numbers. Model and serial numbers are located on nameplate(s) as shown.



U050P\_\_F232070

## Model Identification

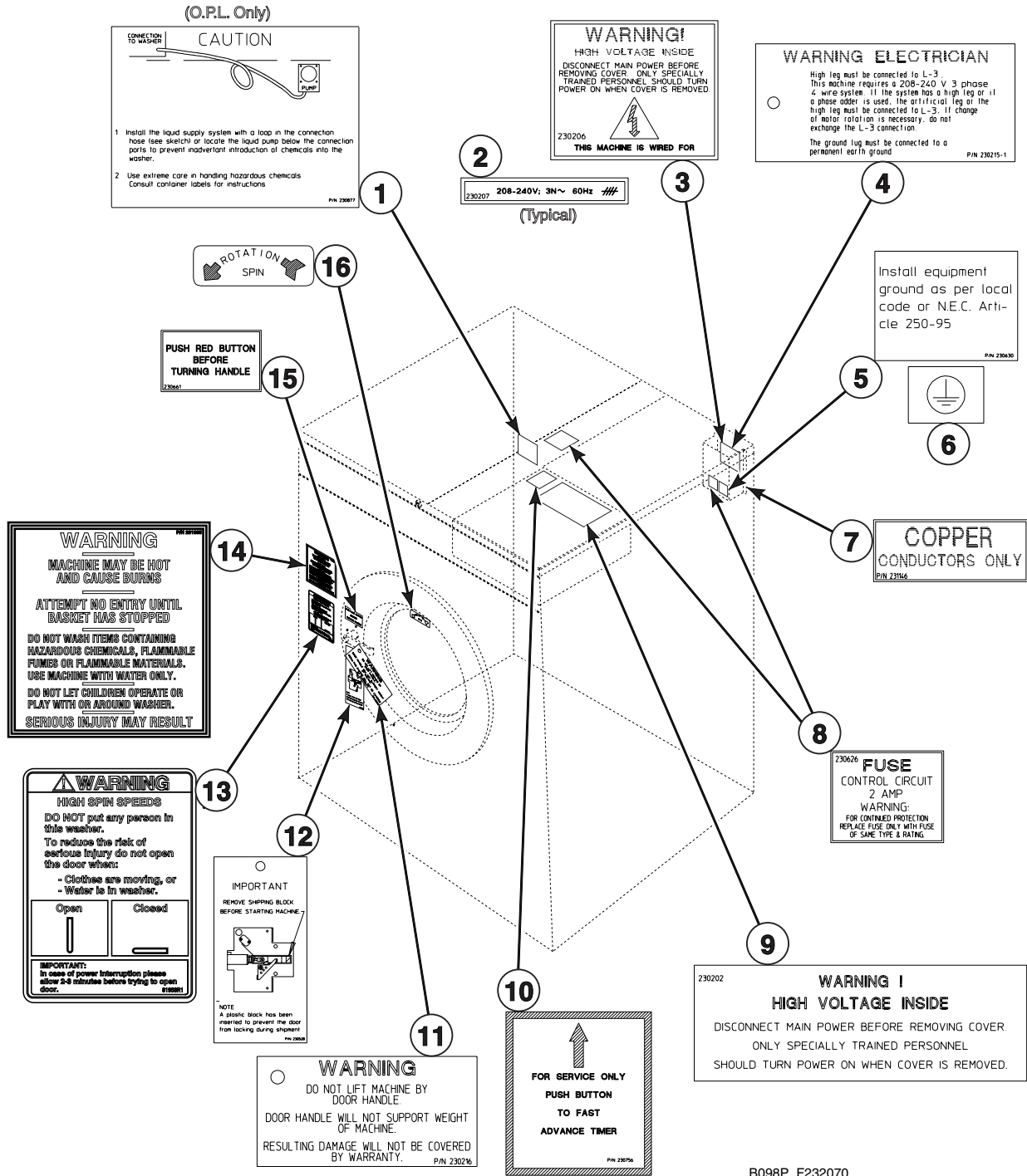
Information in this manual is applicable to these washer-extractor models:

HC80MC3  
HC80MD3  
HC80MN3  
HC80PC3  
HC80SN3

SC80MC3  
SC80MD3  
SC80MN3  
SC80SN3

UC80MC3  
UC80MD3  
UC80MN3  
UC80PC3  
UC80PN3

# Decals



B098P\_F232070

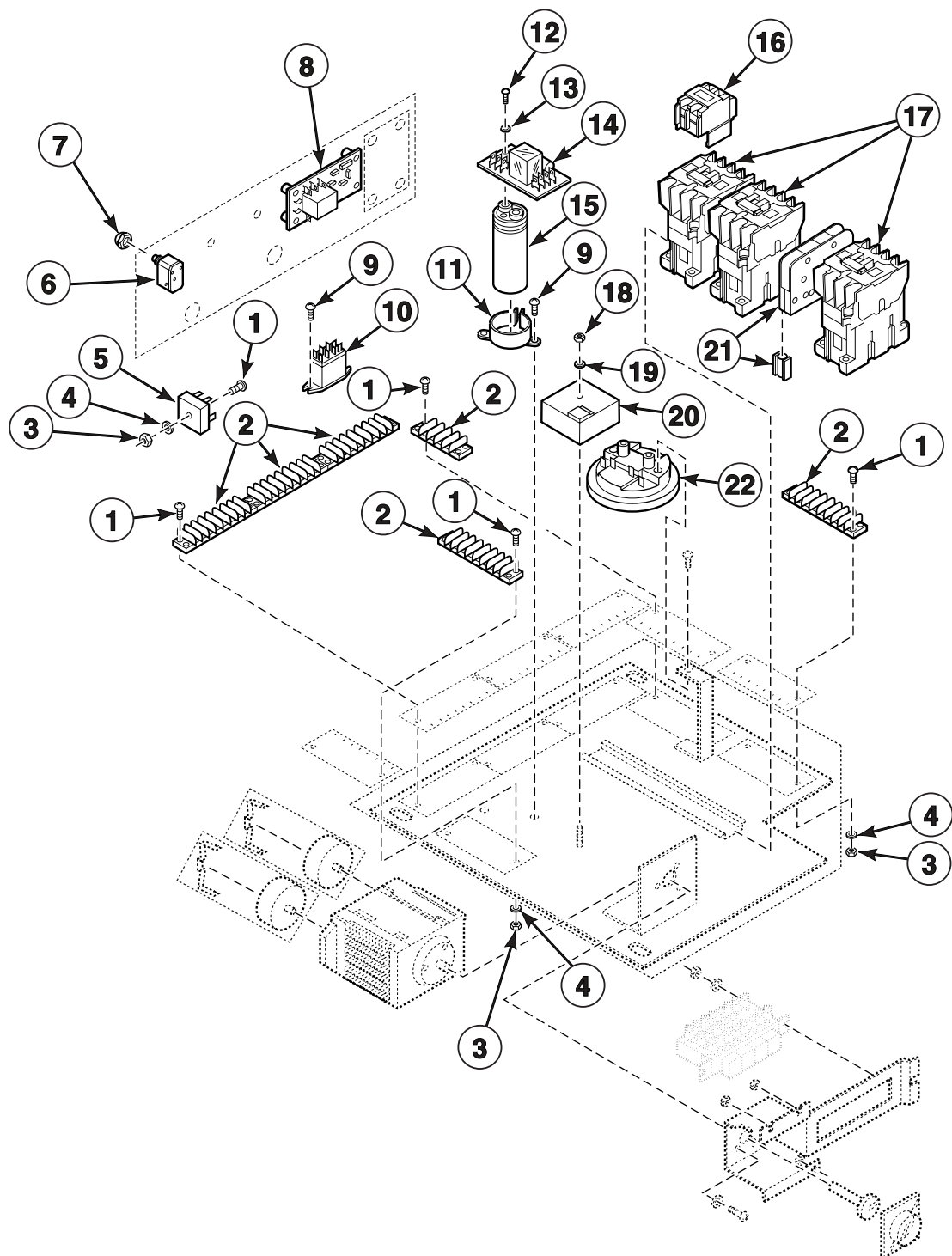
# Decals

REF	PART NO.	DESCRIPTION	COMMENTS
1	F230877	Decal	
2	F230207	Decal	
3	F230206	Decal	
4	F230215-1	Decal	
5	F230630	Decal	
6	F230739	Decal	
7	F231146	Decal	
8	F230626	Decal	
9	F230202	Decal	
10	F230756	Decal	MC models only
11	F230216	Decal	
12	F230528	Tag	OPL models only
13	81968R1	Label	
14	F231065	Decal	
15	F230661	Decal	
16	F230693	Decal	

# Control Module

Mechanical Timer Models

Page 1 of 2



CHM2112P\_F232070



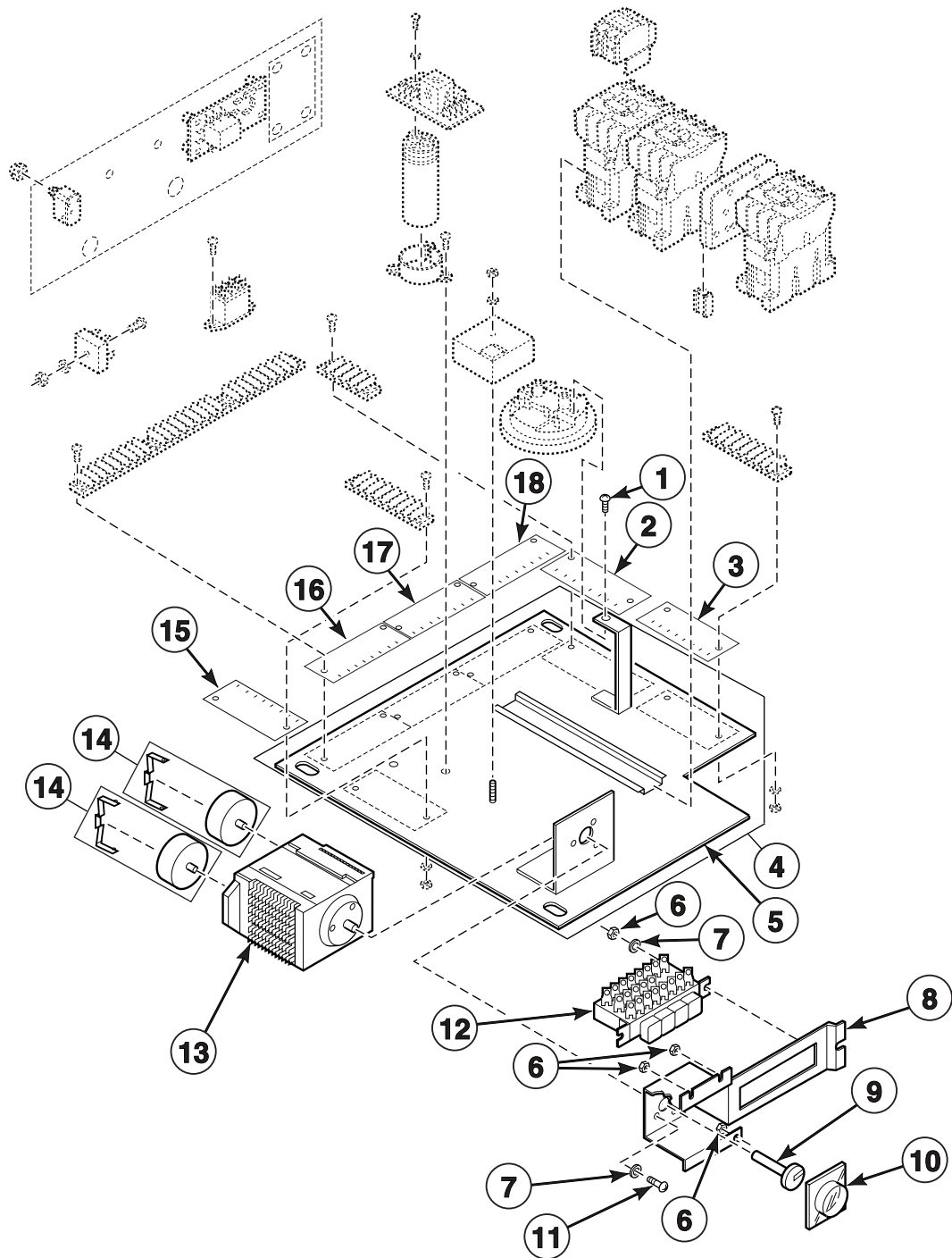
# Control Module

REF	PART NO.	DESCRIPTION	COMMENTS
1	F430916	Screw	
2	F140738	Terminal Strip	
3	F431022	Nut	
4	F431113	Lockwasher	
5	F370310	Bridge Rectifier	
6	F340403	Switch	
7	F340409	Pushbutton Boot	
8	F370437	Delay Relay CCA	Spin delay; 15 sec.; 120 Volt
	F370438	Delay Relay CCA	Spin delay; 15 sec.; 220 Volt
9	F430917	Screw	
10	F330227	Flange Relay	120 Volt
	F330230	Flange Relay	220 Volt
11	F140612	Capacitor Mounting Clamp	
12	F430904	Screw	
13	F431108	Lockwasher	
14	F370430-1	Door Lock CCA	120 Volt
	F370430-3	Door Lock CCA	220 Volt
15	F370225	Capacitor	
16	F330185	Auxillary Contactor	
17	F330175	Contactor	120 Volt
	F330177	Contactor	220 Volt
18	F430211	Nut	
19	F431100	Lockwasher	
20	F330335	Timer	Door lock time delay
21	F330186	Interlock Contactor	
22	F340337	Water Level Switch	Air trap hose (part no. F200142) is required

# Control Module

Mechanical Timer Models

Page 2 of 2



CHM2112PA\_F232070

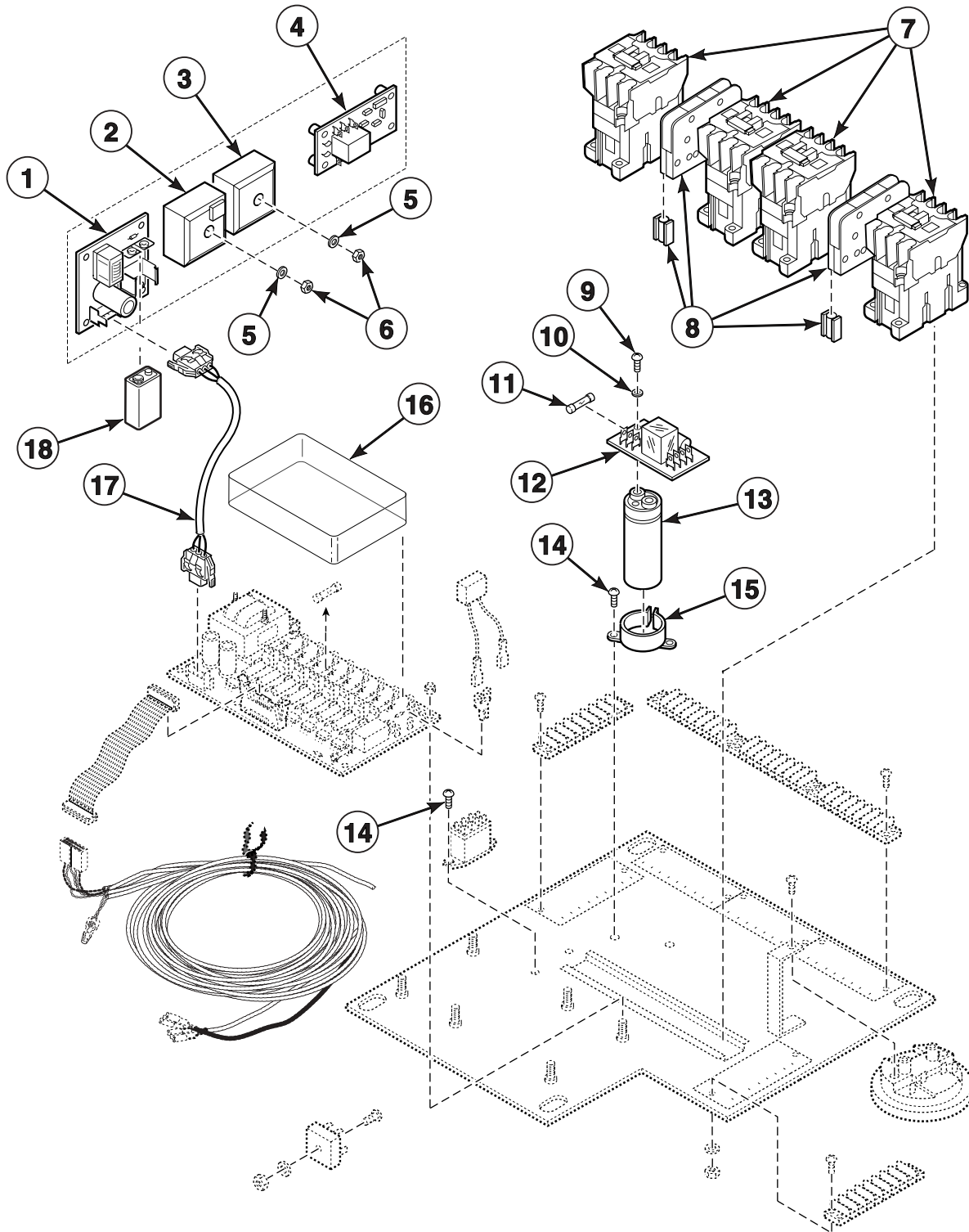
# Control Module

REF	PART NO.	DESCRIPTION	COMMENTS
1	F430928	Screw	
2	F140916	Decal	Terminal strip; 33-40
3	F140927	Decal	Terminal strip; 41-48
4	F607358	Electrical Panel Subassembly	Includes item 5 and the contactor mounting rail
5	F607359	Panel	
6	F430231	Locknut	
7	F431123	Washer	
8	F632335	Mounting Bracket Assembly	
9	F730525	Cycle Timer Indicator Kit	
10	F150249	Cycle Timer Indicator Cover	
11	F430948	Screw	
12	F340413	Cycle Selector Switch	Used before 3/30/98
	F340442	Cycle Selector Switch	Used after 3/30/98
13	F160301	Timer Cycle	120 Volt
	F160304	Timer Cycle	220 Volt
14	F160539	Motor	Timer; 120 Volt, 60 Hertz
	F160538	Motor	Timer; 220 Volt, 50 Hertz
	F160537	Motor	Timer; 220 Volt, 60 Hertz
15	F140912	Decal	Terminal strip; 1-8
16	F140913	Decal	Terminal strip; 9-16
17	F140914	Decal	Terminal strip; 17-24
18	F140915	Decal	Terminal strip; 25-32

# Control Module

P-Series and S-Series Computer Models

Page 1 of 2



CHM2028P\_F232070

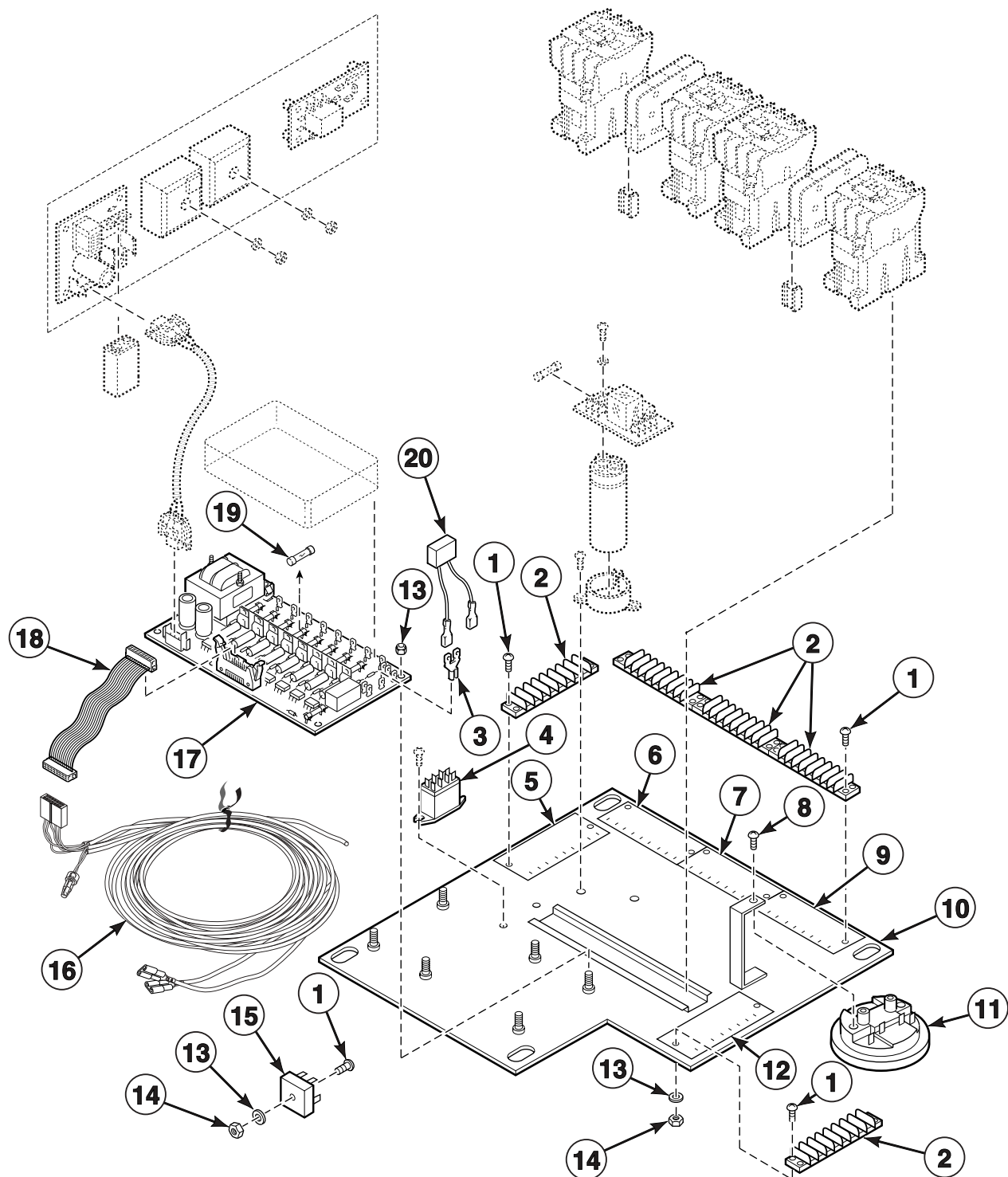
# Control Module

REF	PART NO.	DESCRIPTION	COMMENTS
1	F370529	Battery Adapter Board	
2	F330335	Timer	Door lock time delay; PC models only
3	F330203	Relay	120 Volt; 30 sec.; Dist. to spin
	F330206	Relay	220 Volt; 30 sec.; Dist. to spin
4	F370437	Relay CCA	Spin delay; 120 Volt; 15 sec.
	F370438	Relay CCA	Spin delay; 220 Volt; 15 sec.
5	F431100	Lockwasher	
6	F430211	Nut	
7	F330175	Contactora	120 Volt
	F330147	Contactora	220 Volt; Used before 3/1/00
	F330177	Contactora	220 Volt; Used after 3/1/00
8	F330152	Interlock	Used before 3/1/00
	F330186	Interlock Contactora	Used after 3/1/00
9	F430904	Screw	
10	F431108	Lockwasher	
11	F350110	Fuse	1 Amp
12	F370426-1	Door Lock Relay CCA	120 Volt; Includes relay
	F370426-2	Door Lock Relay CCA	220 Volt; Includes relay
13	F370225	Capacitor	PC models only
14	F430917	Screw	
15	F140612	Capacitor Mounting Clamp	PC models only
16	F140423	Cover	
17	F140249	Wiring Harness	Battery back-up
18	F191101	Battery	9 volt

# Control Module

P-Series and S-Series Computer Models

Page 2 of 2

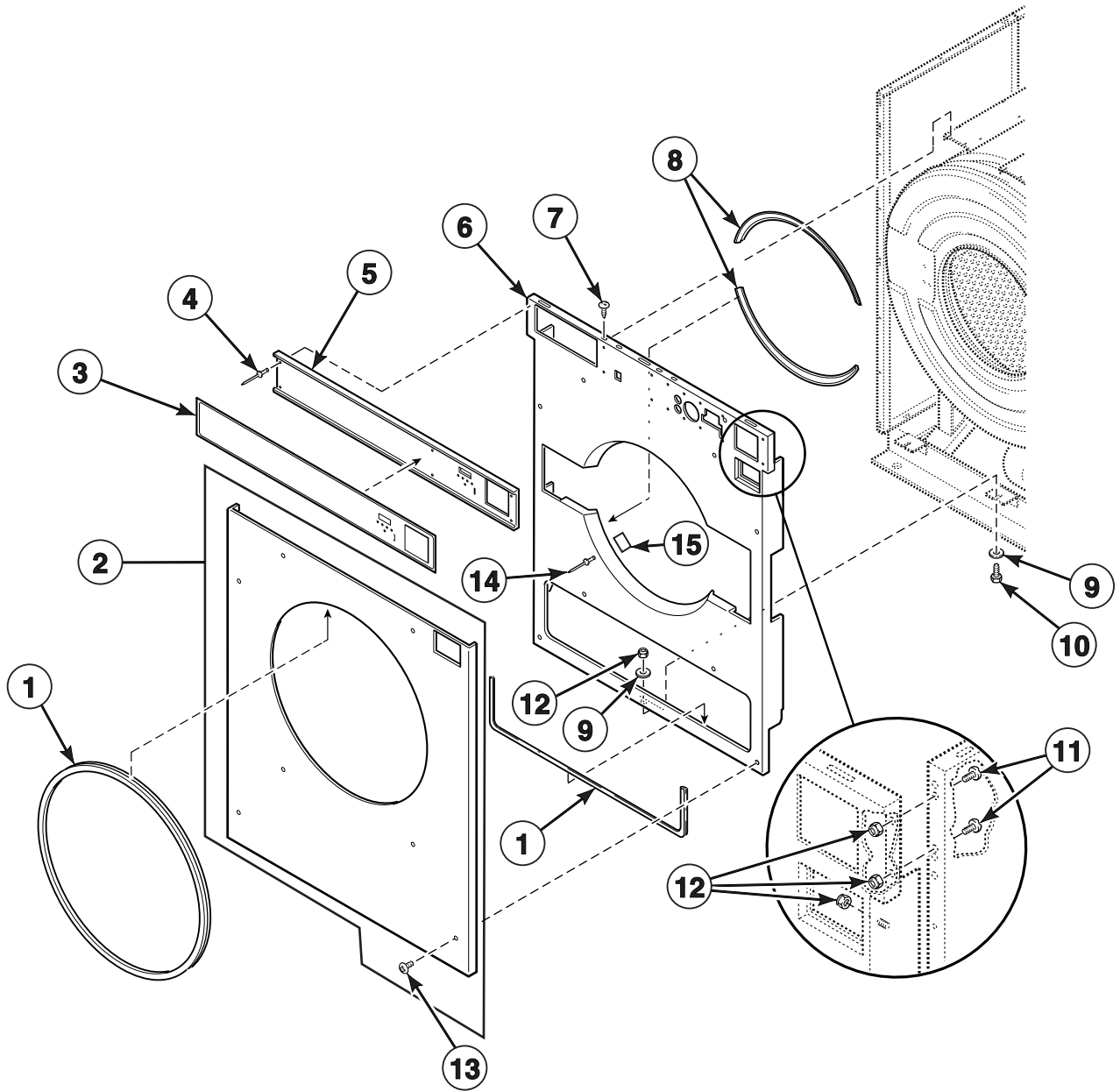


CHM2028PA\_F232070

# Control Module

REF	PART NO.	DESCRIPTION	COMMENTS
1	F430916	Screw	
2	F140738	Terminal Strip	
3	F141020	Connector	
4	F330227	Flange Relay	120 Volt
	F330230	Flange Relay	220 Volt
5	F140912	Decal	Terminal strip; 1-8
6	F140913	Decal	Terminal strip; 9-16
7	F140914	Decal	Terminal strip; 17-24
8	F430928	Screw	
9	F140915	Decal	Terminal strip; 25-32
10	F0606950-02	Electrical Panel Subassembly	
11	F0340351-10	Water Level Switch	Air trap hose (part no. F200142) is required
12	F140916	Decal	Terminal strip; 33-40
13	F431113	Lockwasher	
14	F431022	Nut	
15	F370310	Bridge Rectifier	OPL models only
16	F141869	Input Assembly	
17	F370449	Output Board CCA	120 Volt; OPL models only
	F370450	Output Board CCA	220 Volt; OPL models only
	F370519	Relay Board	120 Volt; Coin models only
	F610808	Relay Board	220 Volt; Coin models only
18	F140216	Cable	
19	F350109	Fuse	1/2 Amp
	F350110	Fuse	1 Amp
20	F330217	RC Network Filter	

# Front Panels



CHM1945P\_F232070

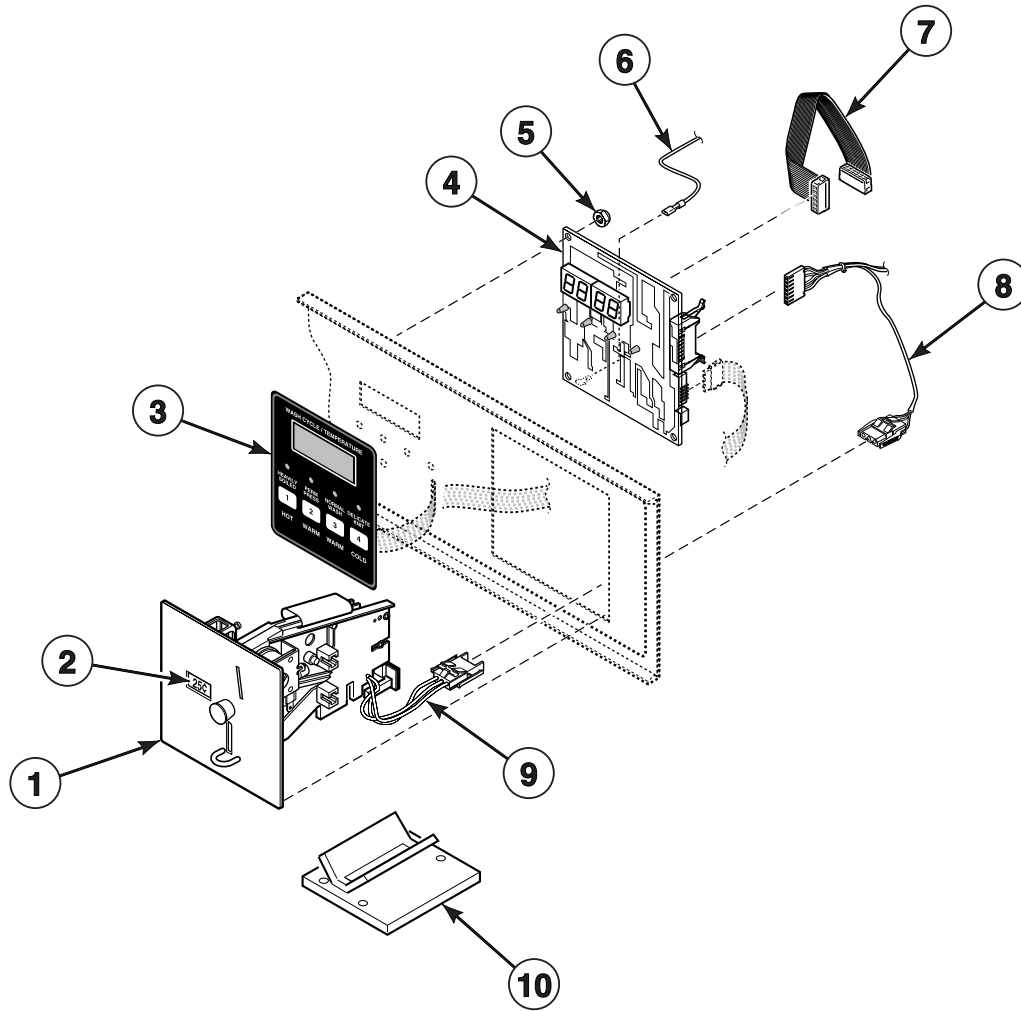


## Front Panels

REF	PART NO.	DESCRIPTION	COMMENTS
1	F0150501-00	Trim	Order 4 feet for inner front; Order 8 feet for outer front
2	F757476	Front Panel Kit	SS; Includes item 13; Coin models
	F757480	Front Panel Kit	SS; Includes item 13; OPL models
3	F231165	Control Panel Decal	Model SC80MN3
	F231155	Control Panel Decal	Models SC80MC3 and SC80MD3
	F231468	Control Panel Decal	Model SC80SN3
	F231254	Control Panel Decal	Model UC80MN3
	F231016	Control Panel Decal	Models UC80MC3 and UC80MD3
	F231018	Control Panel Decal	Model UC80PC3
	F231257	Control Panel Decal	Model UC80PN3
	F231538	Control Panel Decal	Model HC80MN3
	F231238	Control Panel Decal	Models HC80MC3 and HC80MD3
	F231233	Control Panel Decal	Model HC80PC3
	F231252	Control Panel Decal	Model HC80SN3
4	F430418	Rivet	
5	F150402	Control Panel Extrusion	Mechanical timer models
	F150403	Control Panel Extrusion	P and S-computer models
6	F603989-4	Inner Front Panel	
7	F430174	Screw	
8	F170401	Inner Front Panel Gasket	Order 5 feet
9	F430338	Washer	
10	F430935	Screw	
11	F430925	Screw	
12	F430215	Locknut	
13	F430986	Screw	
14	F431217	Rivet	
15	F631990	Magnetic Switch Assembly	

# Non-Display Coin Drop and Keypad

P and S-Computer Models



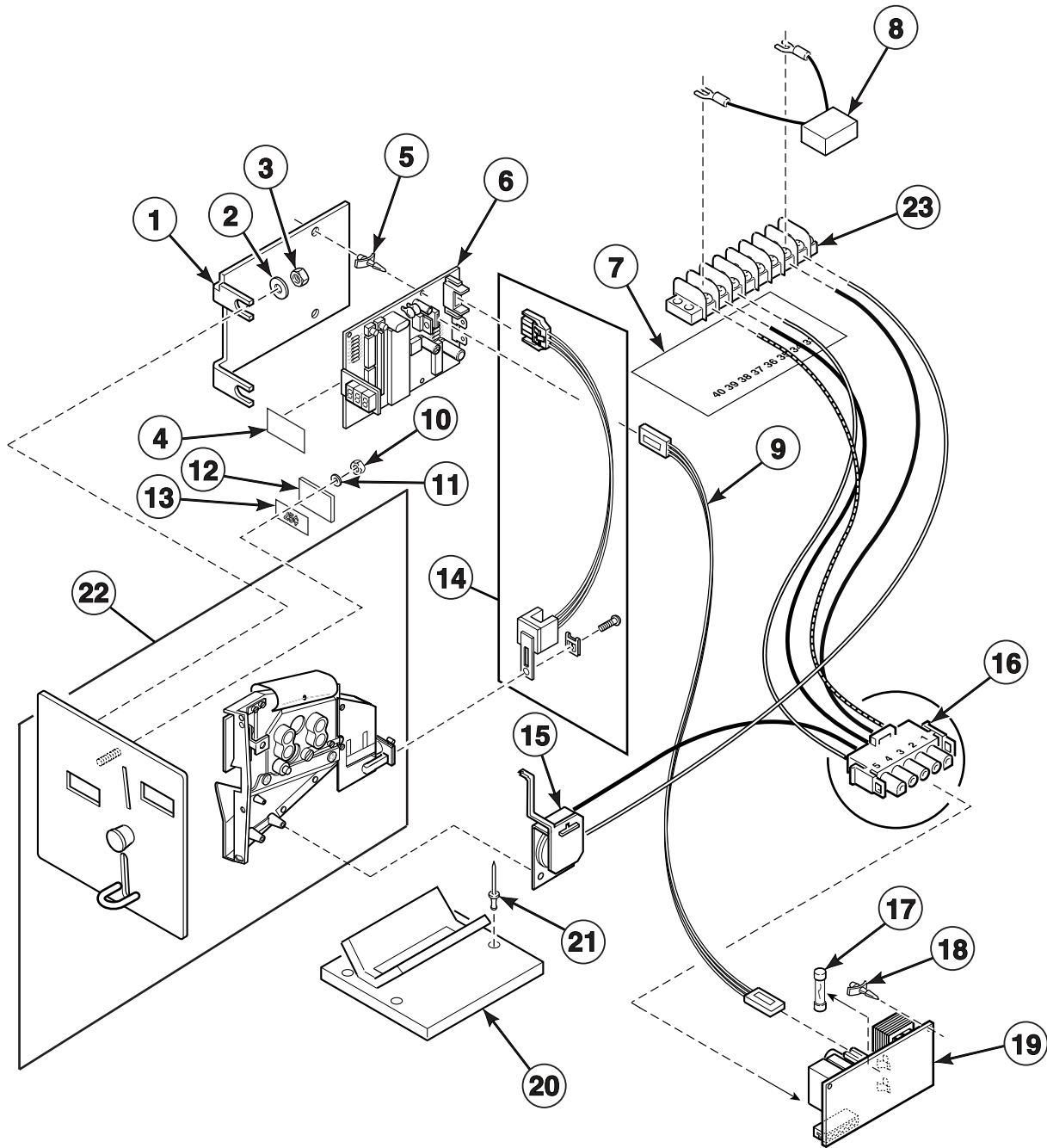
CHM1946P\_F232070

## Non-Display Coin Drop and Keypad

REF	PART NO.	DESCRIPTION	COMMENTS
1	F609179-1	Coin Meter Kit	PC models only; U.S. Quarter
	F609179-2	Coin Meter Assembly	PC models only; Canadian Quarter
	F609179-10	Coin Meter Assembly	PC models only; 100/500 Yen
	F609179-4	Coin Meter Assembly	PC models only; 500 Wan
	F609179-5	Coin Meter Assembly	PC models only; .880 Token
2	F231010	Decal	\$.25 insert
3	F340608	Membrane Switch	Model SC80SN3
	F340605	Membrane Switch	Model UC80PC3
	F370576	Keypad	Model UC80PN3
	F340610	Membrane Switch	Model HC80PC3
	F340614	Membrane Switch	Model HC80SN3
4	F370518-10	Computer	PC models; Standard models
	F370518-00	Computer	PC models; For models with heat
	F370555-01	Computer	PN and SN models; Standard models
	F370555-11	Computer	PN and SN models; Armstrong
5	F430231	Locknut	
6	F140160	Wire	Ground; Sold per foot
7	F140215	Ribbon Cable	9 inch; Connects computer board and output board
	F140216	Ribbon Connector	6 inch; Connects computer board and output board
8	F140250	Input Wiring Harness	PC models only
9	F775801-02	Optic Switch Kit	PC models only
10	F604496	Coin Guide Plate Assembly	Single-drop models
	F608177	Coin Guide Plate Assembly	Dual-drop models

# Display Coin Meter Assembly

MC and MD Models; Single Drop



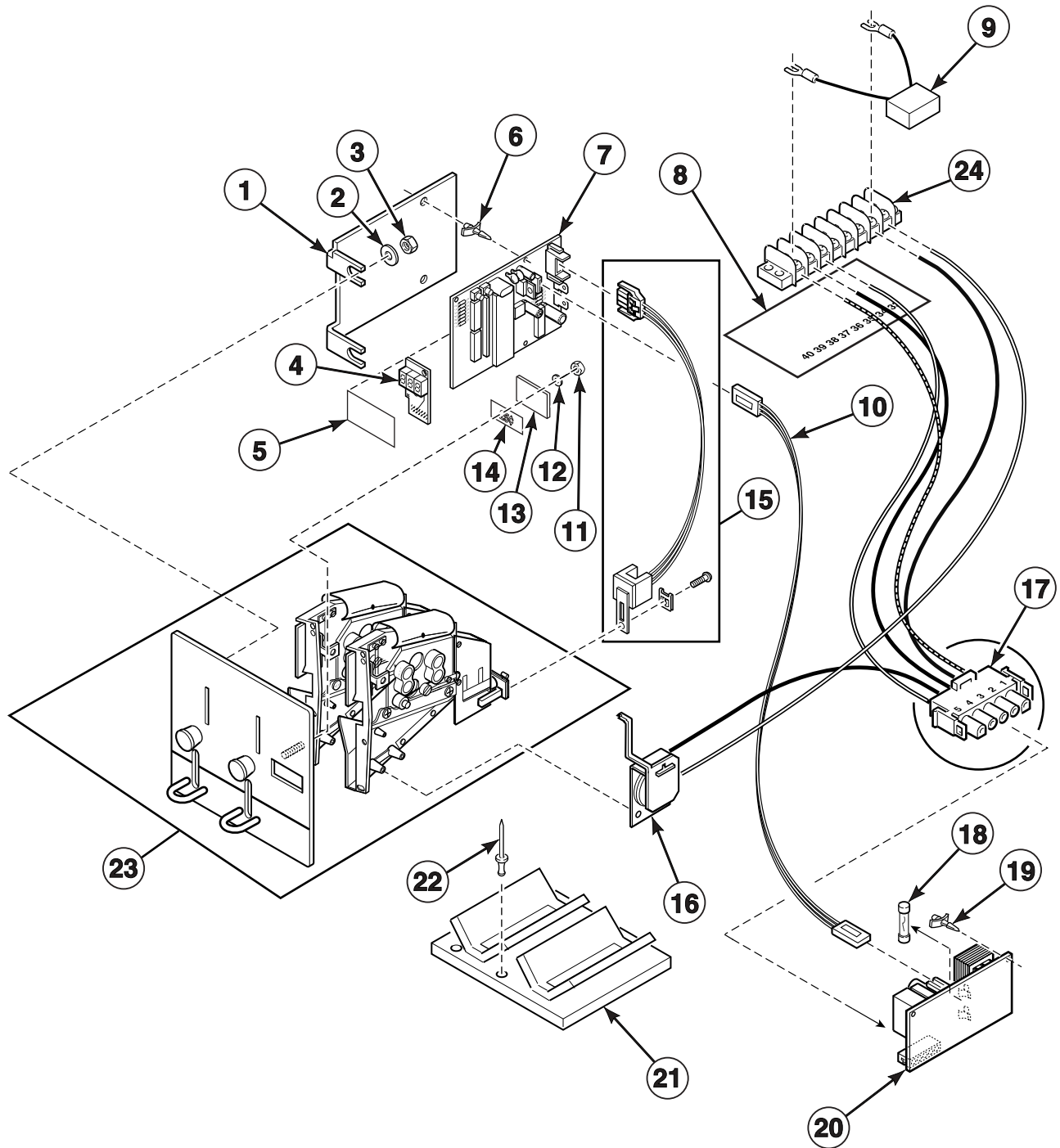
CHM2127P\_F232070

## Display Coin Meter Assembly

REF	PART NO.	DESCRIPTION	COMMENTS
1	F608169	Mounting Bracket	
2	F430311	Washer	
3	F430243	Locknut	
4	F230803	Decal	Window
5	F432001	Circuit Board Support	
6	F0370410-10	Coin Counter CCA	
7	F140916	Decal	Terminal strip; 33-40
8	F330217	RC Network Filter	
9	F140202	DC Power Cable	
10	F430243	Locknut	
11	F431133	Washer	
12	F608925	Coin Meter Insert	
13	F231010	Decal	\$.25 insert
14	F775801-01	Optic Switch Kit	Hanke coin meters only; Includes screw and nut
15	F160461	Blocking Coil	120 Volt; Hanke
	F160462	Blocking Coil	220 Volt; Hanke
	F160466	Blocking Coil	120 Volt; W2000
	F160467	Blocking Coil	220 Volt; W2000
16	F607322-2	Wiring Harness	
17	F350127	Fuse	40 MA
18	F432001	Circuit Board Support	
19	F370411-1	Power Supply CCA	120 Volt
	F370411-2	Power Supply CCA	220 Volt
20	F632084	Coin Guide Assembly	
21	F431215	Rivet	
22	F608209-1	Coin Meter Assembly	W2000; U.S. Quarter; 120 Volt
	F608209-12	Coin Meter Assembly	W2000; Tai 10 Yuan; 120 Volt
	F632364-7	Coin Meter Assembly	W2000; .880 Token; 220 Volt
	F650013	Coin Meter Assembly	W2000; 1/5 Krona; 220 Volt
	F160717	Coin Meter	W2000; .990 Token; 220 Volt
	F160718	Coin Meter	W2000; U.S. Quarter; 220 Volt
	F160719	Coin Meter	W2000; Jeton; 220 Volt
	F0160735-00	Coin Meter	W2000; .800 Token; 120 Volt
23	F140738	Terminal Strip	

# Display Coin Meter Assembly

MC and MD Models; Dual Drop



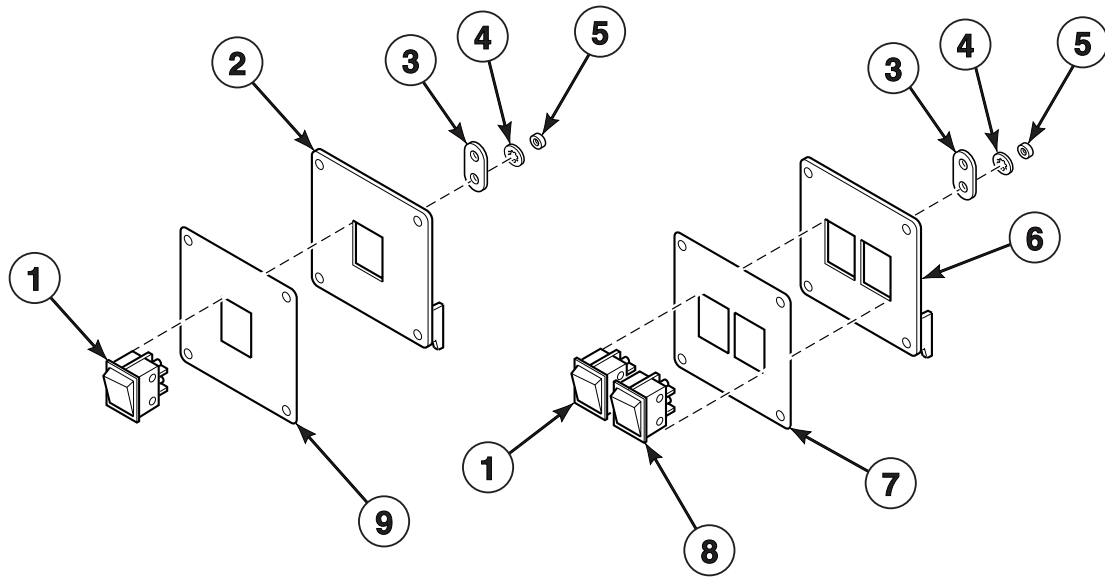
CHM2128P\_F232070

# Display Coin Meter Assembly

REF	PART NO.	DESCRIPTION	COMMENTS
1	F608169	Mounting Bracket	
2	F430311	Washer	
3	F430243	Locknut	
4	F370424-1	Digital Display LED CCA	
5	F230803	Decal	Window
6	F432001	Circuit Board Support	
7	F0370410-10	Coin Counter CCA	
8	F140916	Decal	Terminal strip; 33-40
9	F330217	RC Network Filter	
10	F140202	DC Power Cable	
11	F430243	Locknut	
12	F431133	Washer	
13	F608925	Coin Meter Insert	
14	F231010	Decal	\$.25 insert
15	F775801-01	Optic Switch Kit	Hanke coin meters only; Includes screw and nut
16	F160461	Blocking Coil	120 Volt; Hanke
	F160462	Blocking Coil	220 Volt; Hanke
	F160466	Blocking Coil	120 Volt; W2000
	F160467	Blocking Coil	220 Volt; W2000
17	F607322-2	Wiring Harness	
18	F350127	Fuse	40 MA
19	F432001	Circuit Board Support	
20	F370411-1	Power Supply CCA	120 Volt
	F370411-2	Power Supply CCA	220 Volt
21	F632681	Coin Guide Assembly	
22	F431215	Rivet	
23	F775308-01	Coin Meter Kit	W2000; U.K. 1 Pound/20 Pence; 220 Volt
	F633960-5	Coin Meter Assembly	W2000; Japan 100/500 Yen; 120 Volt
	F609179-8	Coin Meter Assembly	W2000; Australia \$1/.20; 220 Volt
	F160698	Coin Meter	W2000; Africa 1/5 Rand; 220 Volt
	F609179-12	Coin Meter Assembly	W2000; .990 Token; 120 Volt
	F609318-3	Coin Meter Assembly	W2000; Canada \$1/.25; 120 Volt
	F609179-6	Coin Meter Assembly	W2000; U.S. Quarter; 24 Volt
	F633960-9	Coin Meter Assembly	W2000; 1/5 Shekel; 220 Volt
	F160716	Coin Meter	W2000; Japan 100/500 Yen; 220 Volt
	F0160730-00	Coin Meter	W2000; U.S. \$1/.25; 120 Volt
	F0160736-00	Coin Meter	W2000; .50/2.00 Euro; 220 Volt
24	F140738	Terminal Strip	

# Switch Assembly

OPL Models Only



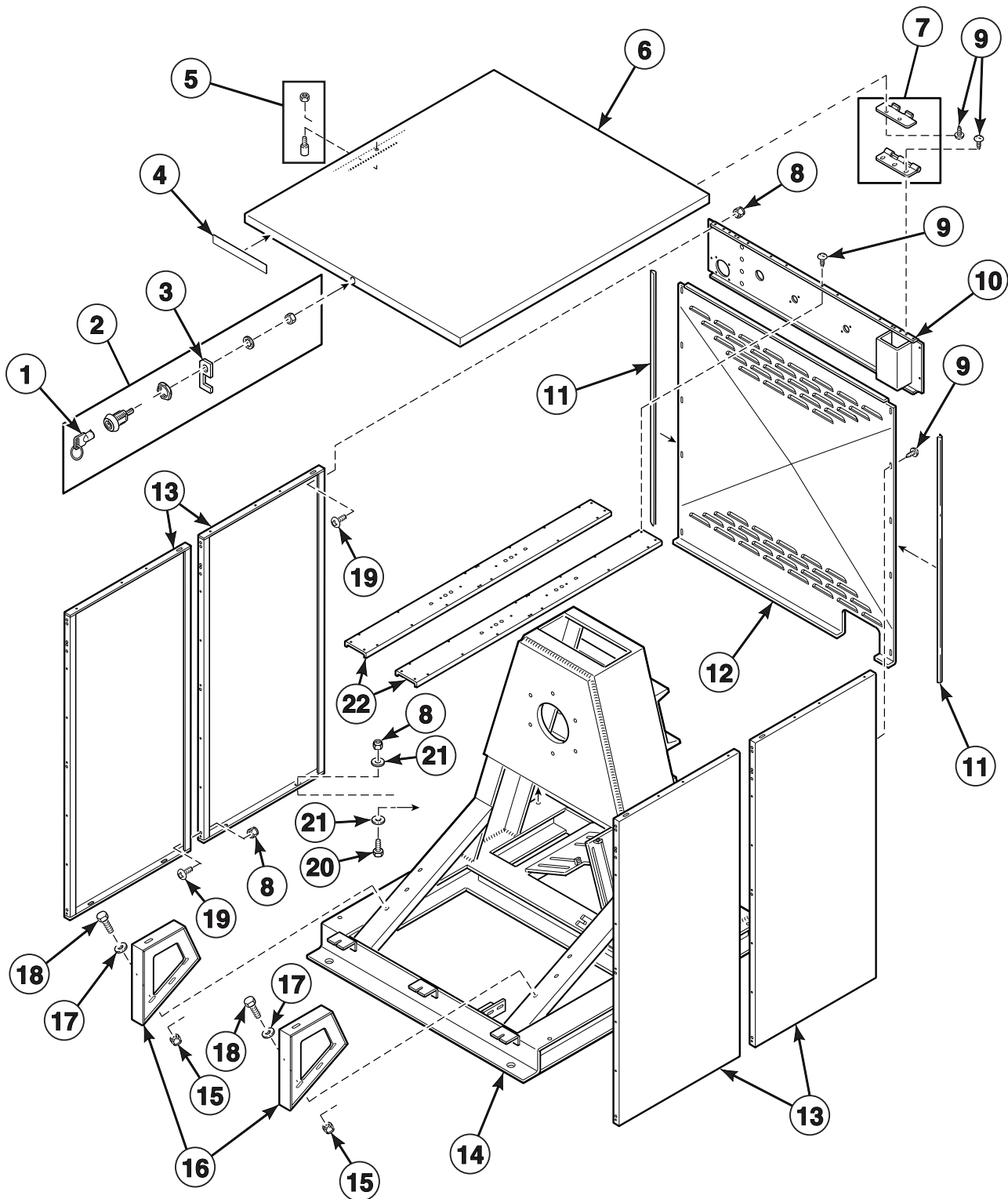
CHM1948P\_F232070



## Switch Assembly

REF	PART NO.	DESCRIPTION	COMMENTS
	F606999	Switch Panel Assembly	PN and SN models; Includes items 1, 2, 3 and 5
1	F340411	Rocker Switch	Red
2	F633098	Switch Plate Subassembly	PN and SN models
3	F601515	Clip	
4	F430311	Washer	
5	F430232	Locknut	
6	F633092-1	Switch Plate Subassembly	Models SC80MN3, UC80MN3 and HC80MN3
7	F340412	Switch	
8	F230918-2	Switch Panel Decal	Model SC80MN3
	F230918	Switch Panel Decal	Model UC80MN3
	F230963	Switch Panel Decal	Model HC80MN3
9	F230840	Switch Plate Decal	Model HC80SN3
	F231450	Switch Plate Decal	Models SC80SN3 and UC80PN3

# Cover Panels and Frame

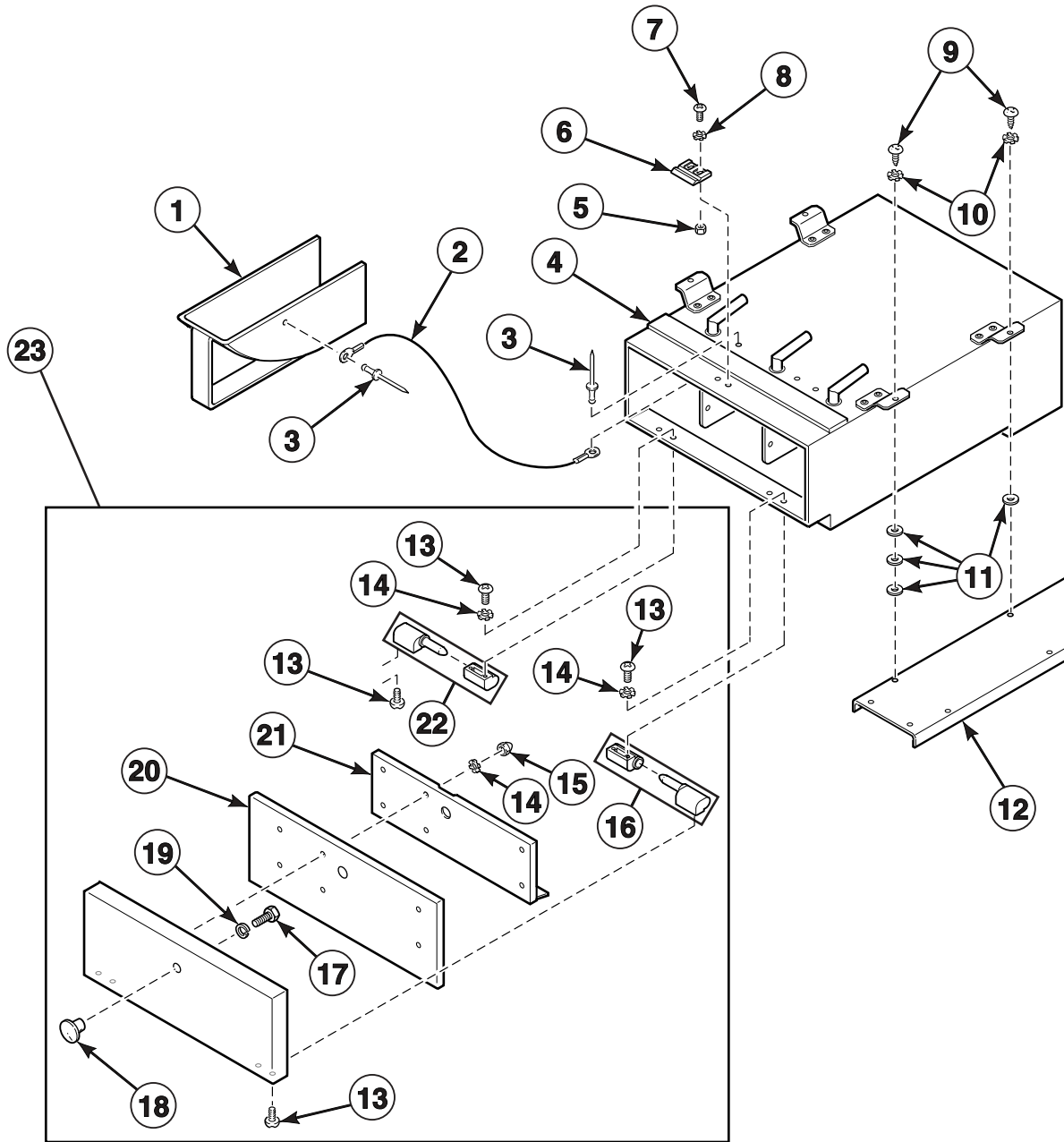


CHM1503P\_F232070

## Cover Panels and Frame

REF	PART NO.	DESCRIPTION	COMMENTS
1	F160562	Key	GR3800; Round
	F190805-1	Key	RL003; Flat
2	F190802	Lock	GR3800; Round key
	F190805	Lock	RL003; Flat key
3	F602753	Top Cover Latch	GR3800 only
4	F231045	Supply Decal	
5	F390300	Stud	Includes nut
6	F608791	Top Cover Assembly	
7	F190203	Take-Apart Hinge	
8	F430215	Locknut	
9	F430174	Screw	
10	F608797	Valve Panel Subassembly	
11	F170402	Gasket	Order 4 feet
12	F603976	Rear Panel	
13	F603969	Side Panel	Four per machine; Reversible
14	F603926	Frame Assembly	
15	F430205	Nut	
16	F603947	Support	
17	F430301	Washer	
18	F430109	Screw	
19	F430925	Screw	
20	F430108	Screw	
21	F430317	Washer	
22	F603972	Top Brace	

# Supply Dispenser

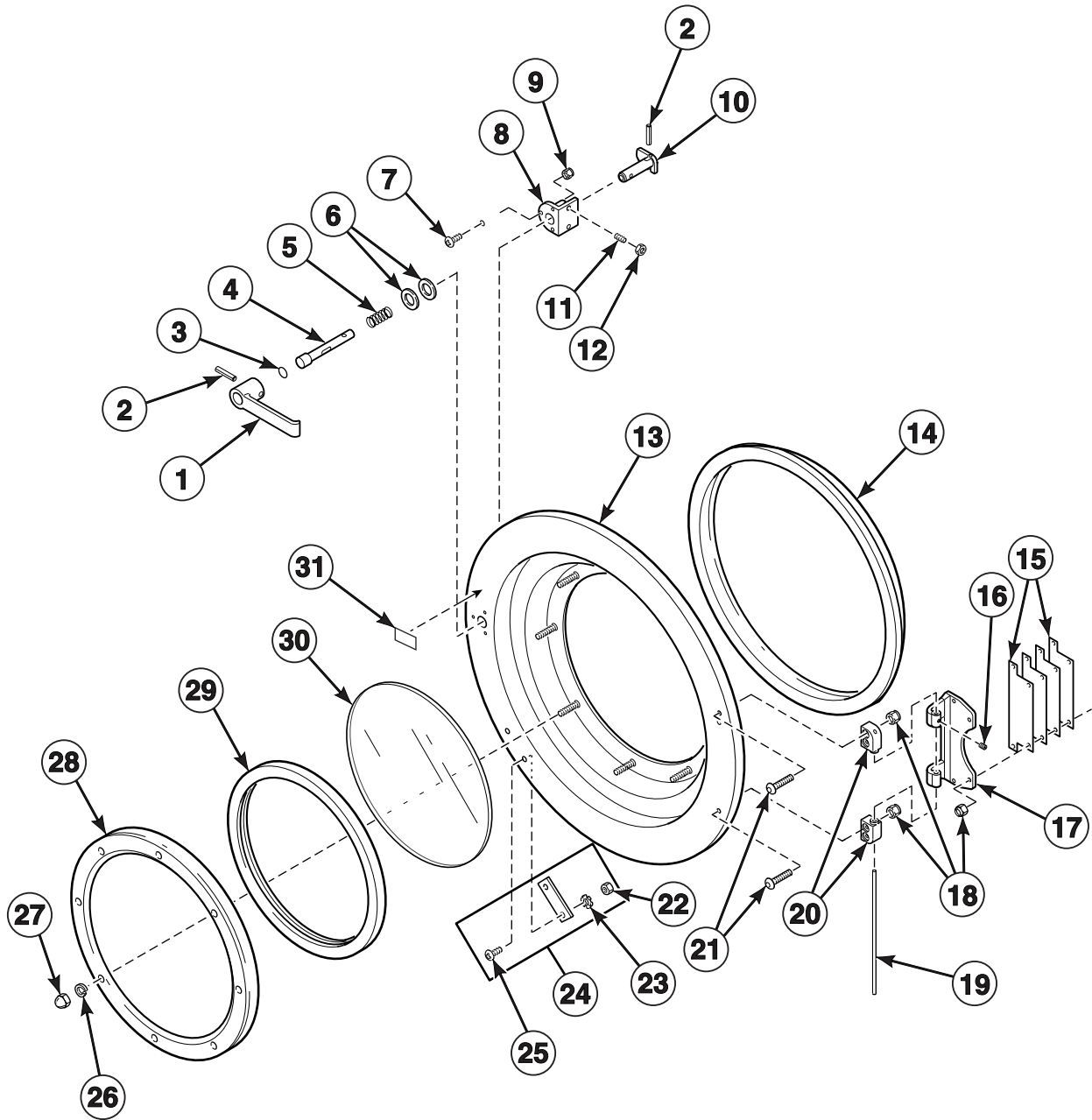


CHM2090P\_F232070

# Supply Dispenser

REF	PART NO.	DESCRIPTION	COMMENTS
1	F150369	Supply Dispenser Cup	Large
	F150368	Supply Dispenser Cup	Small
2	F150426	Lanyard	
3	F431223	Rivet	
4	F608271-1	Supply Dispenser Assembly	Coin models
	F608271-2	Supply Dispenser Subassembly	OPL models
5	F430231	Locknut	
6	F432223	Supply Dispenser Lid Latch	
7	F430928	Screw	
8	F431113	Lockwasher	
9	F430174	Screw	
10	F431123	Washer	
11	F431125	Washer	
12	F608282	Supply Dispenser Mounting Bracket	
13	F432229	Screw	
14	F431108	Lockwasher	
15	F431037	Nut	
16	F190205	Lift-Off Hinge	Right
17	F430907	Screw	
18	F190101	Push-Pull Knob	
19	F431137	Lockwasher	
20	F608705	Supply Dispenser Cover Gasket	
21	F608703	Gasket Retaining Plate	
22	F190202	Lift-Off Hinge	Left
23	F608704	Supply Dispenser Cover Assembly	Includes items 13-22

# Door Assembly



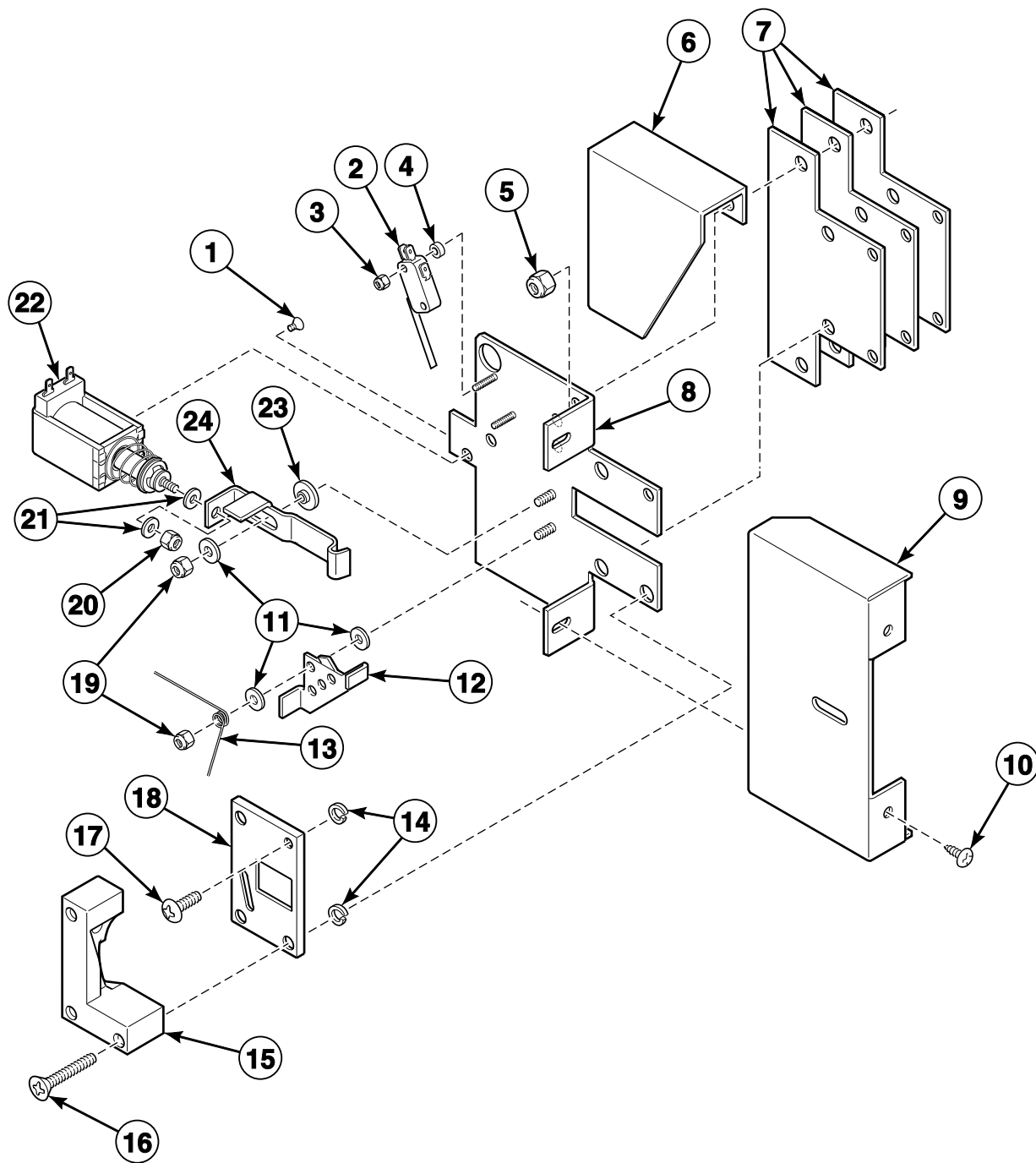
CHM1949P\_F232070

# Door Assembly

REF	PART NO.	DESCRIPTION	COMMENTS
	F608783-1	Door Assembly	Coin models; Includes items 1-14, 16-21 and 26-31
	F608783-2	Door Assembly	OPL models; With magnet; Includes items 1-14 and 16-31
1	F150225	Door Handle	
	F730155	Door Handle Kit	Includes items 1-6, 8 and 10-12
2	F431222	Pin	
3	F230662	Decal	Red dot
4	F320300	Push Button Rod	
5	F310125	Door Lock Spring	
6	F431907	Washer	
7	F430976	Screw	
8	F0150273-00	Door Spacer	
9	F430232	Locknut	
10	F0150229-00	Latch Arm	
11	F430532	Screw	
12	F431041	Nut	
13	F608782-1	Door Weldment	Coin models
	F608782-2	Door Weldment	OPL models
14	F170164	Door Gasket	
15	F602679	Shim	As required
16	F430536	Screw	
17	F150224	Door Hinge	
18	F430215	Locknut	
19	F602813-3	Rod	
20	F150226	Door Mount	
21	F432257	Screw	
22	F431022	Nut	OPL models only
23	F431113	Lockwasher	OPL models only
24	F340703	Magnet	OPL models only
25	F430916	Screw	OPL models only
26	F431100	Lockwasher	
27	F431026	Nut	
28	F320102	Door Retainer Spinning	
29	F170115	Door Glass Gasket	
30	F290210	Glass	
31	F230661	Decal	Push red button

# Door Lock Assembly

OPL Models



CHM2018P\_F232070

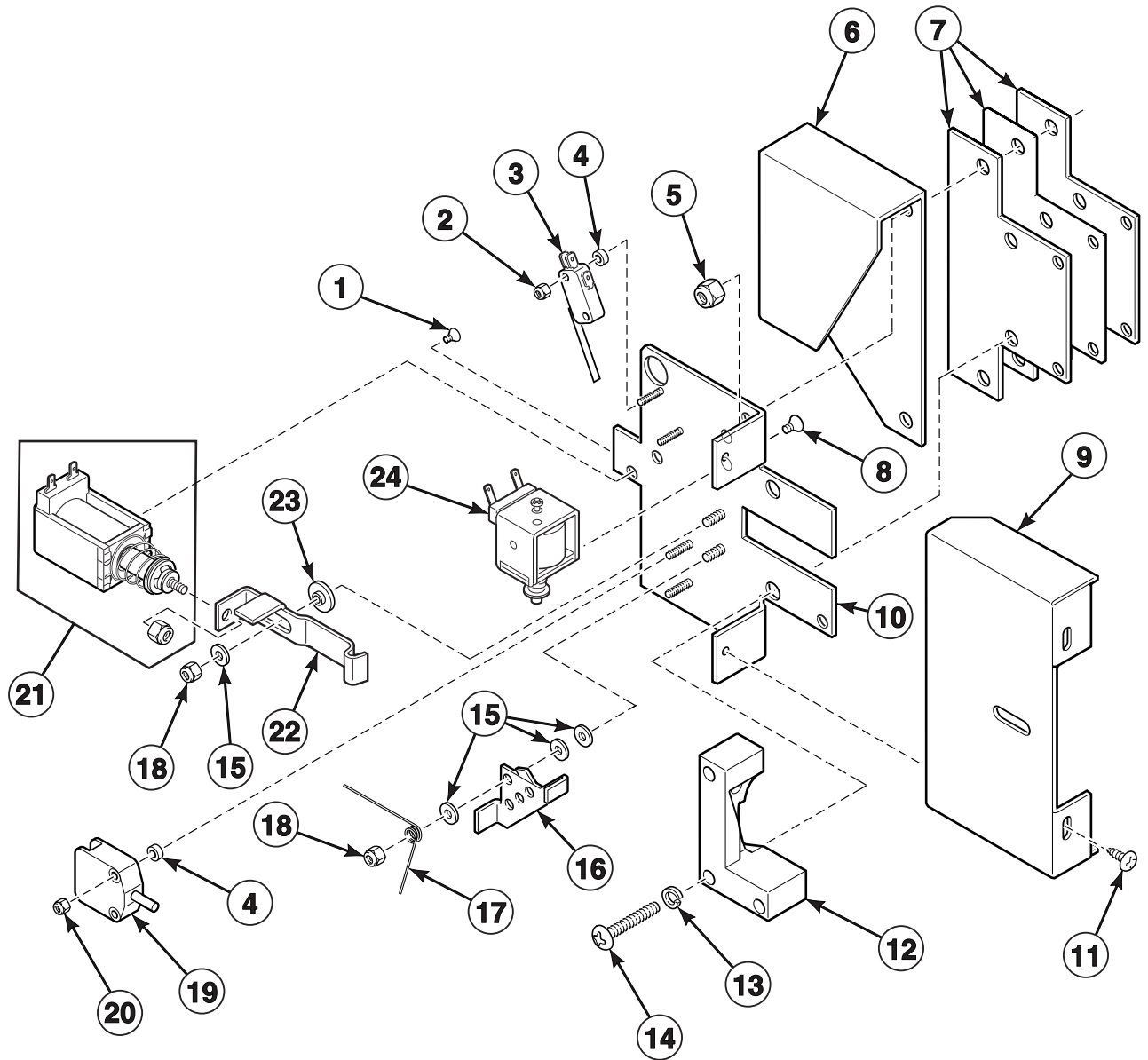


## Door Lock Assembly

REF	PART NO.	DESCRIPTION	COMMENTS
	F746808	L-Catch Kit	Includes items 14, 15 and 16
1	F430977	Screw	
2	F430225	Locknut	
3	F340919	Door Lock Microswitch	
4	F431901	Spacer	
5	F430215	Locknut	
6	F320200	Door Lock Splash Shield	
7	F603185	Door Lock Plate Shim	Use as needed
8	F605394-1	Door Lock Plate Subassembly	For models without L-catch
	F605394-2	Door Lock Plate Subassembly	For models with L-Catch
9	F603003	Door Lock Assembly Cover	
10	F430174	Screw	
11	F431902	Washer	
12	F605381	Door Lock Lever	
13	F310110	Door Lock Spring	
14	F431100	Lockwasher	
15	F150261	Door Lock Catch Casting	L-catch
	F150223	Door Lock Catch	I-catch
16	F430921	Screw	
17	F430925	Screw	
18	F602567	Door Lock Plate Cover	For models without L-catch only
19	F430232	Locknut	
20	F430220	Locknut	
21	F431123	Washer	
22	F300128	Door Release Solenoid	120-220 Volt
	F300123	Door Lock Solenoid	240 Volt
23	F431903	Washer	
24	F605382	Pushbutton Stop	

# Door Lock Assembly

Coin Models



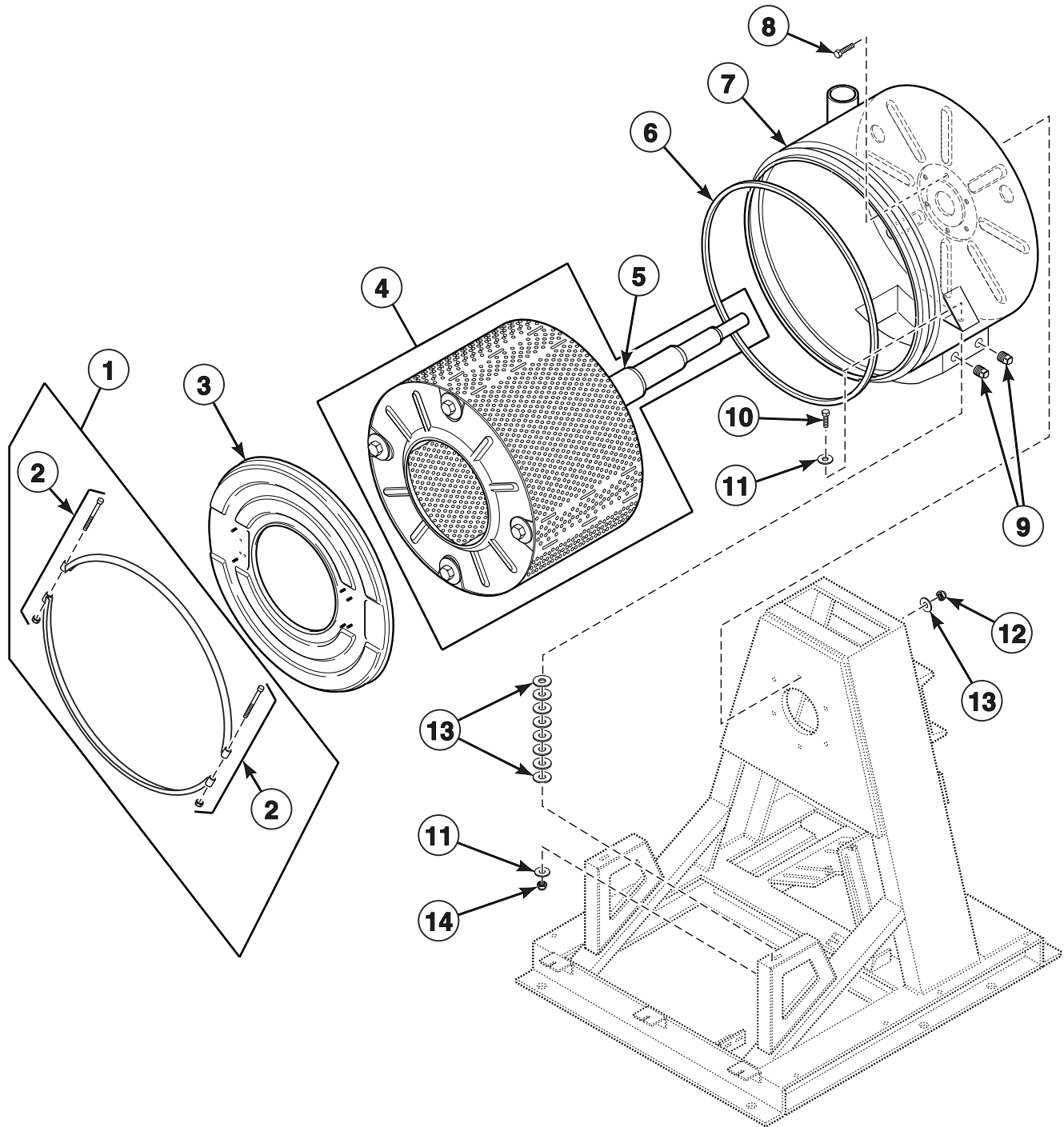
U004PE3B\_F232070

## Door Lock Assembly

REF	PART NO.	DESCRIPTION	COMMENTS
	F604753-3	Door Lock Subassembly	Mechanical timer models
	F604753-4	Door Lock Subassembly	All other models
	F746808	L-Catch Kit	Includes items 12, 13 and 14
1	F430977	Screw	
2	F430225	Locknut	
3	F340919	Door Lock Microswitch	
4	F431901	Spacer	
5	F430215	Locknut	
6	F320200	Shield	
7	F603185	Shim	As required
8	F430978	Screw	
9	F603003	Cover	
10	F602511-2	Door Lock Plate Subassembly	
11	F430174	Screw	
12	F150261	Door Lock Catch Casting	L-catch
	F150223	Door Lock Catch Casting	l-catch
13	F431100	Lockwasher	
14	F430921	Screw	
15	F431902	Washer	
16	F605381	Door Lock Lever	
17	F310110	Door Lock Torsion Spring	
18	F430232	Locknut	
19	F340200	Door Switch	
20	F430231	Locknut	
21	F300112	Door Release Solenoid	Includes nut
22	F602540	Pushbutton Stop	
23	F431903	Washer	
24	F300113	Door Lock Solenoid	

# Basket and Shell Assembly

Standard



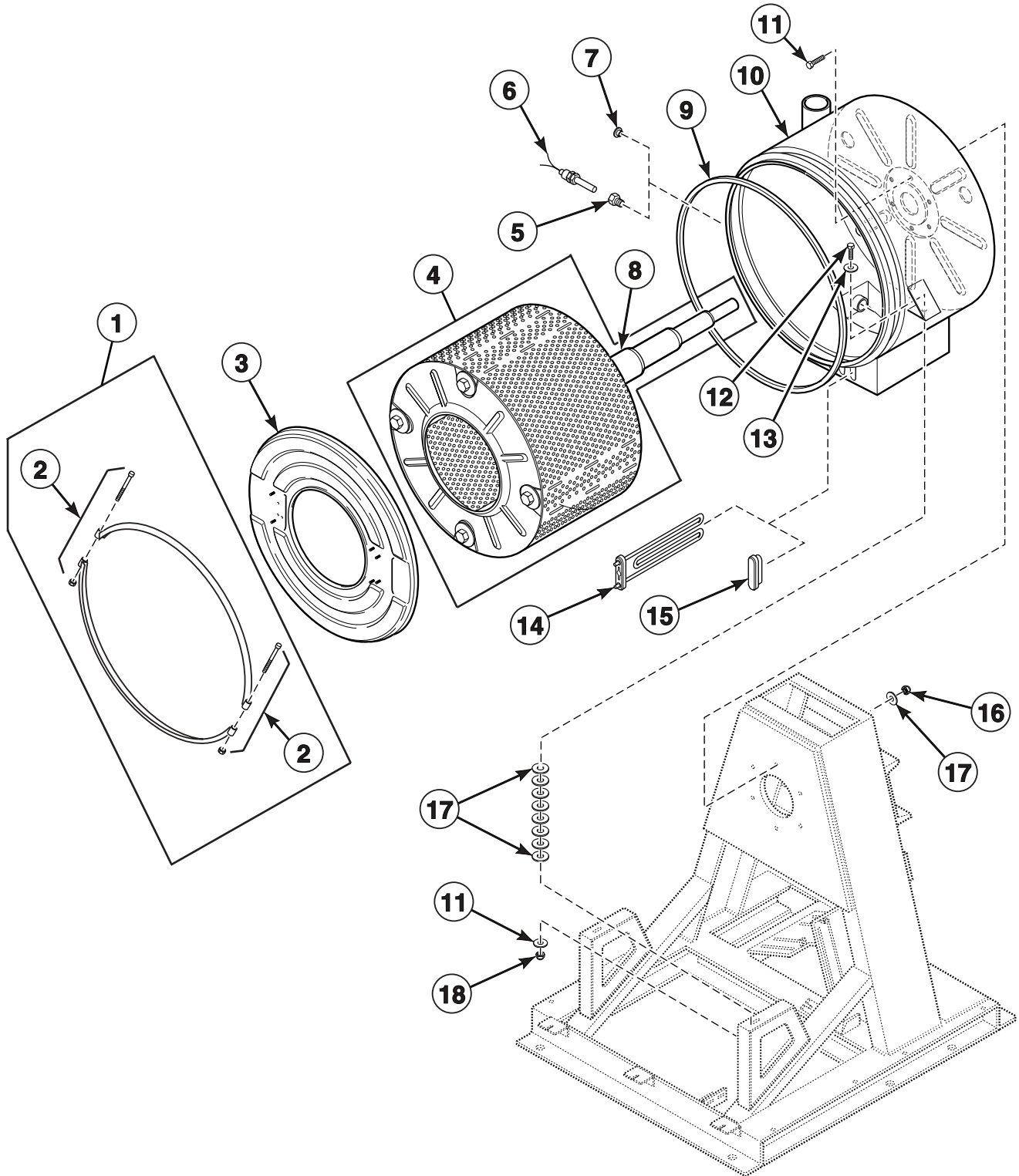
CHM2020P\_F232070

## Basket and Shell Assembly

REF	PART NO.	DESCRIPTION	COMMENTS
1	F0798852-00	Shell Band Kit	Includes item 2
2	F791001	Shell Band Fastener Kit	2 required
3	F603988	Shell Front Assembly	
4	F603949	Basket Assembly	Includes item 5
5	F320347	Shaft Sleeve	
6	F170152	Gasket	Order 11 feet
7	F634696	Shell Weldment	
8	F430947	Screw	
9	F421507	Plug	3/4 inch
	F420408	Plug	1/2 inch
10	F430144	Screw	
11	F430301	Washer	
12	F430201	Locknut	
13	F430325	Washer	
14	F430218	Locknut	

# Basket and Shell Assembly

Models with Electric Heat



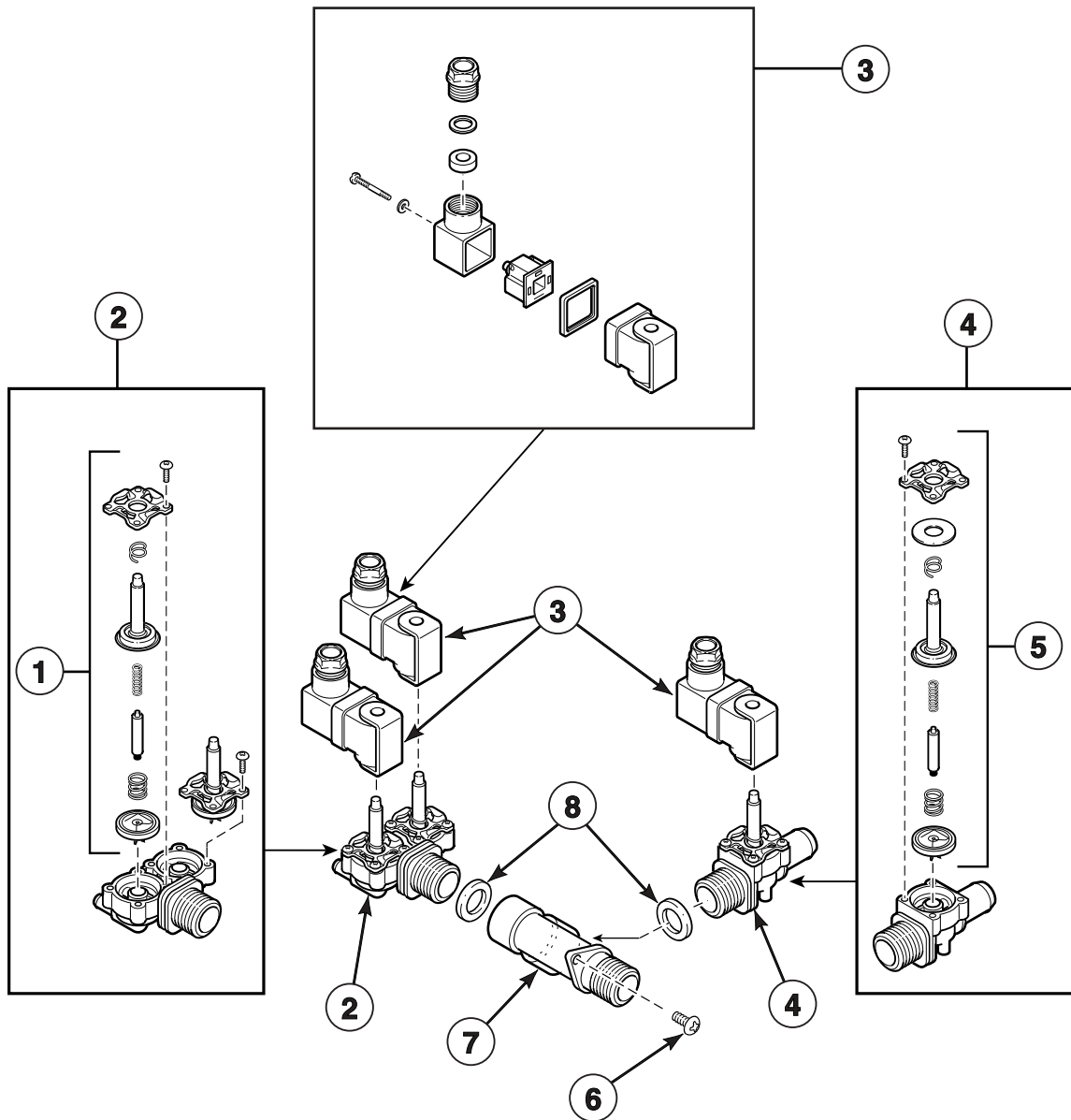
CHM2021P\_F232070

## Basket and Shell Assembly

REF	PART NO.	DESCRIPTION	COMMENTS
1	F0798852-00	Shell Band Kit	Includes item 2
2	F791001	Shell Band Fastener Kit	2 required
3	F603988	Shell Front Assembly	
4	F603949	Basket Assembly	Includes item 8
5	F421936	Reducer Bushing	P and S-computer models
	F421963	Adapter	Mechanical timer models
6	F370606	Temperature Probe	P and S-computer models
	F290111	Thermostat	Mechanical timer models
7	F420408	Plug	
8	F320347	Shaft Sleeve	
9	F170152	Gasket	Order 11 feet
10	F603959	Shell Weldment	
11	F430947	Screw	
12	F430144	Screw	
13	F430301	Washer	
14	F360205	Heating Element	
15	F360202	Heating Element Plug	
16	F430201	Locknut	
17	F430325	Washer	
18	F430218	Locknut	

# Water Inlet Valves

Mueller



U016P\_F232070

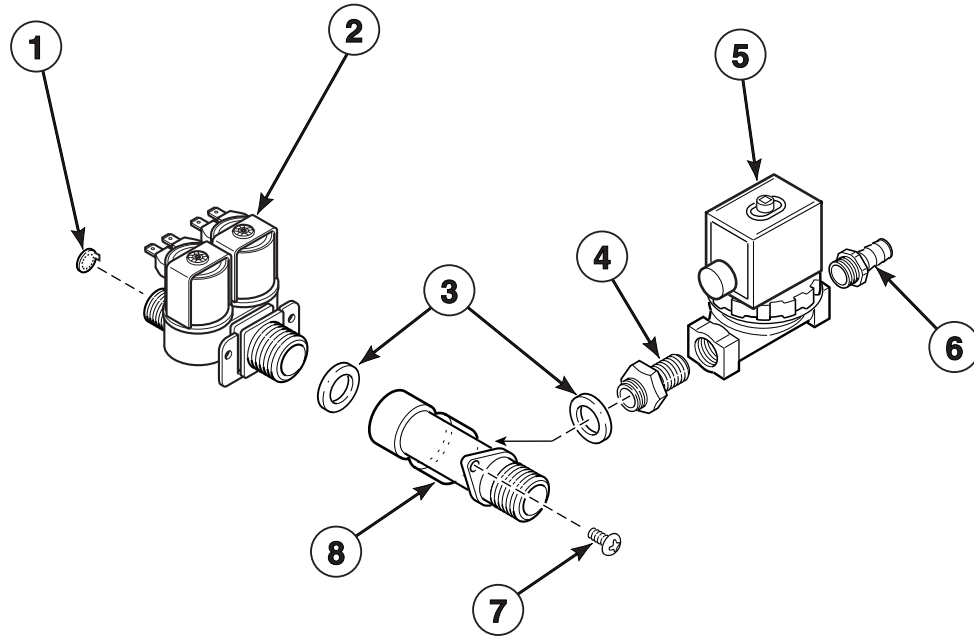


## Water Inlet Valves

REF	PART NO.	DESCRIPTION	COMMENTS
1	F380938	Valve Repair Kit	
2	F380952	Two-Way Valve	120 Volt
	F380776	Two-Way Valve	220 Volt
3	F380900	Coil	120 Volt
	F380917	Coil	220 Volt
4	F380953	One-Way Valve	120 Volt
	F380760	One-Way Valve	220 Volt
5	F380939	Valve Repair Kit	
6	F430929	Screw	
7	F150246	Water Inlet Manifold	Standard thread
	F150247	Water Inlet Manifold	Metric thread
8	F430322	Lockwasher	

# Water Inlet Valves

Parker and Elbi

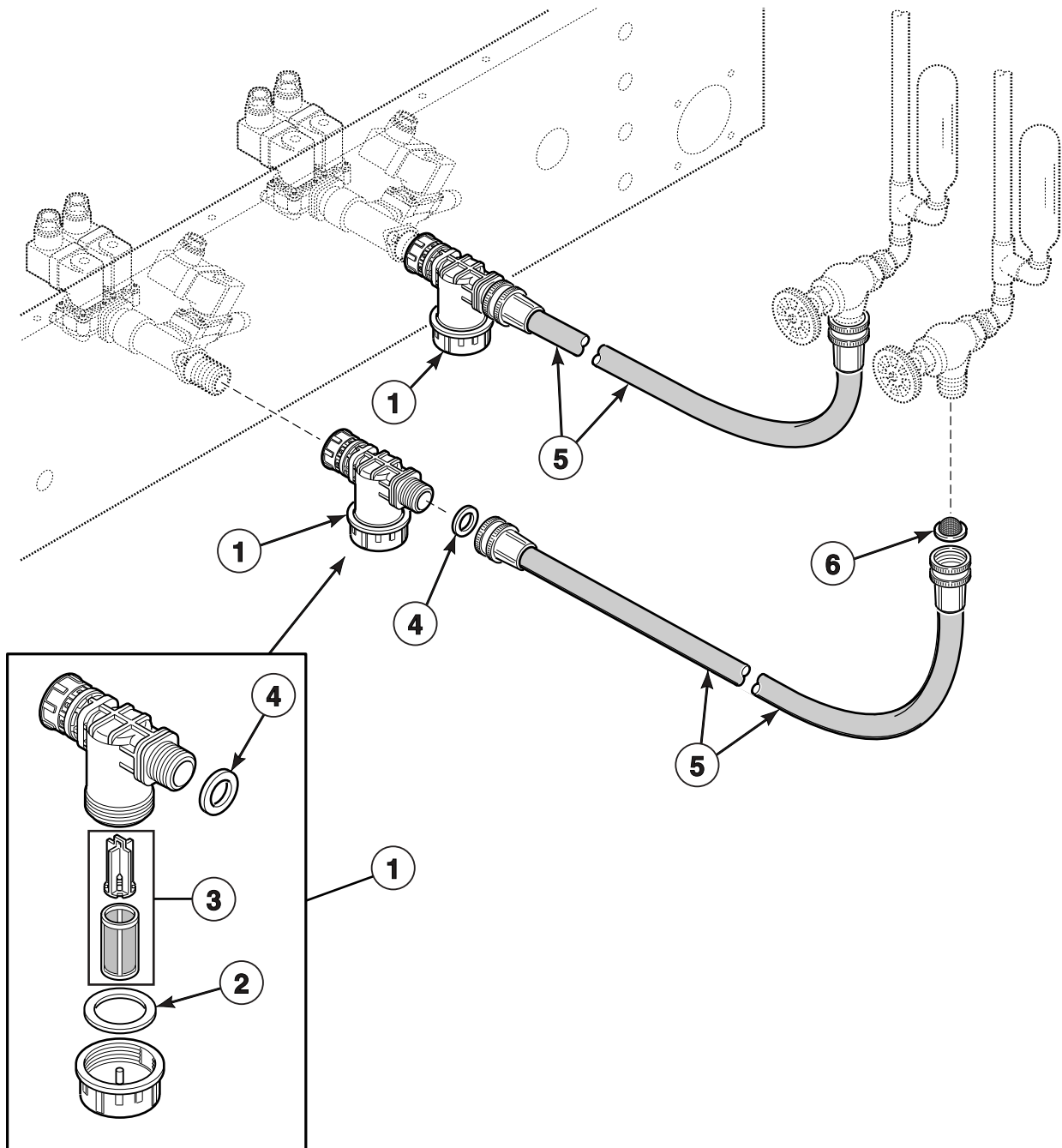


CHM2091P\_F232070

## Water Inlet Valves

REF	PART NO.	DESCRIPTION	COMMENTS
1	F380119	Flow Restrictor	
2	F381722	Two-Way Valve	120 Volt
	F381731	Two-Way Valve	220 Volt
3	F430322	Lockwasher	
4	F421969	Nipple	
5	F381702	One-Way Valve	120 Volt
	F381703	One-Way Valve	220 Volt
6	F421930	Barb	
7	F430929	Screw	
8	F150246	Water Inlet Manifold	Standard thread
	F150247	Water Inlet Manifold	Metric thread

# External Water Filter (Optional) and Water Supply Hose

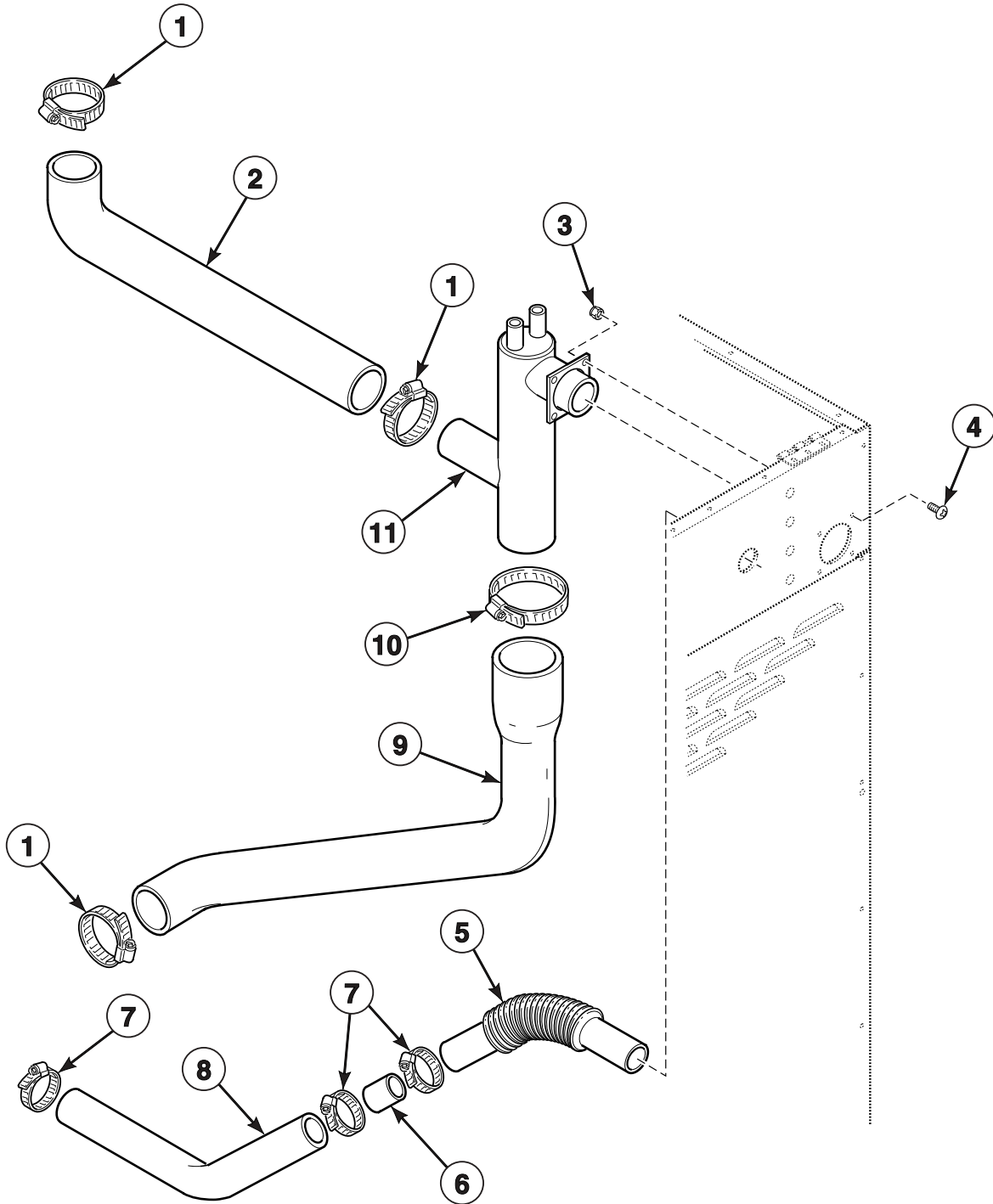


U007PE3C\_F232070

## External Water Filter (Optional) and Water Supply Hose

REF	PART NO.	DESCRIPTION	COMMENTS
1	F270306	Filter	Standard thread
	F270305	Filter	Metric thread
2	F270407	Gasket	
3	F270406	Replacement Filter	.11 mm
	F270405	Replacement Filter	.25 mm
4	20290	Washer	
5	F200164	Hose	Standard thread
	F200166	Hose	Metric thread
6	F270300	Filter Screen	

# Siphon Break, Hoses and Vent Hoses

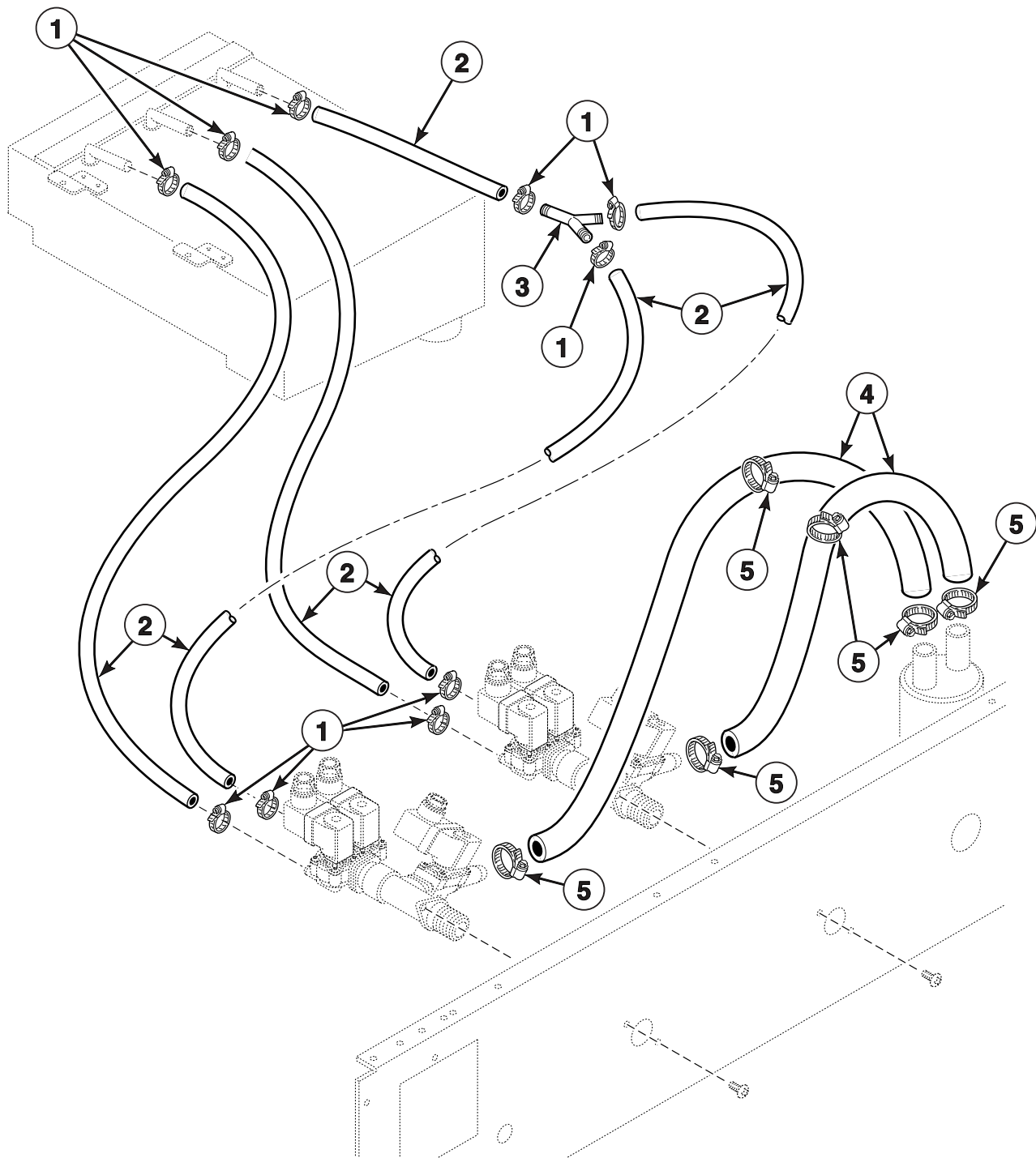


CHM2092P\_F232070

## Siphon Break, Hoses and Vent Hoses

REF	PART NO.	DESCRIPTION	COMMENTS
1	F200213	Clamp	#40
2	F150413	Top Fill Hose	
3	F430231	Locknut	
4	F430928	Screw	
5	F200170	Vent Hose	
6	F608237	Pipe	
7	F200415	Clamp	#36
8	F150317	Overflow Hose	
9	F150414	Bottom Fill Hose	
10	F200219	Clamp	#48
11	F608347	Vacuum Breaker Weldment	

# Inlet Valve Hoses



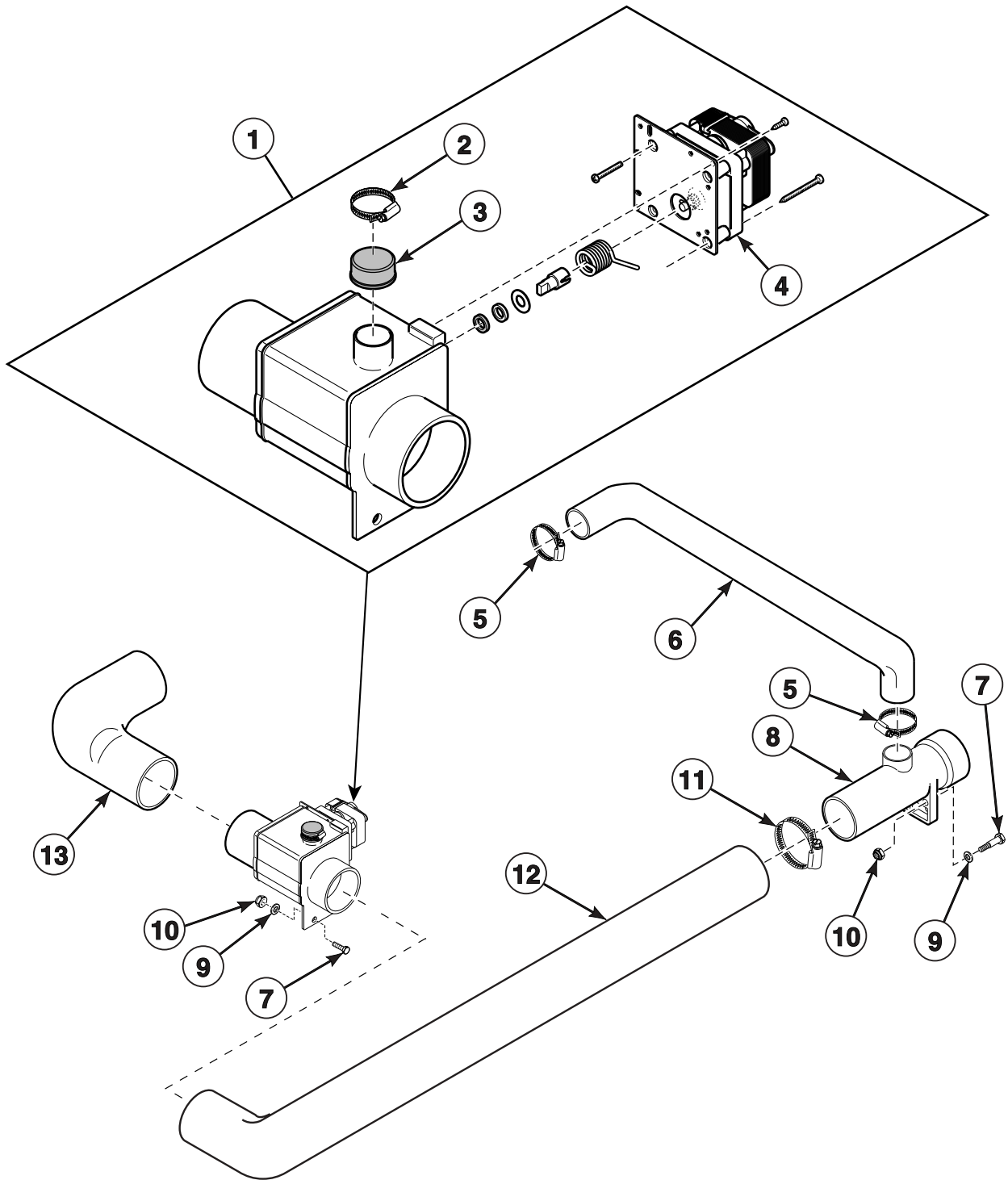
U005PE3B \_F232070



## Inlet Valve Hoses

REF	PART NO.	DESCRIPTION	COMMENTS
1	F200207	Clamp	#8
2	F200108	Hose	Order 13 feet
3	F422808	Y Connector	
4	F200128	Hose	Order 5 feet
5	F200222	Clamp	#12

# Drain System

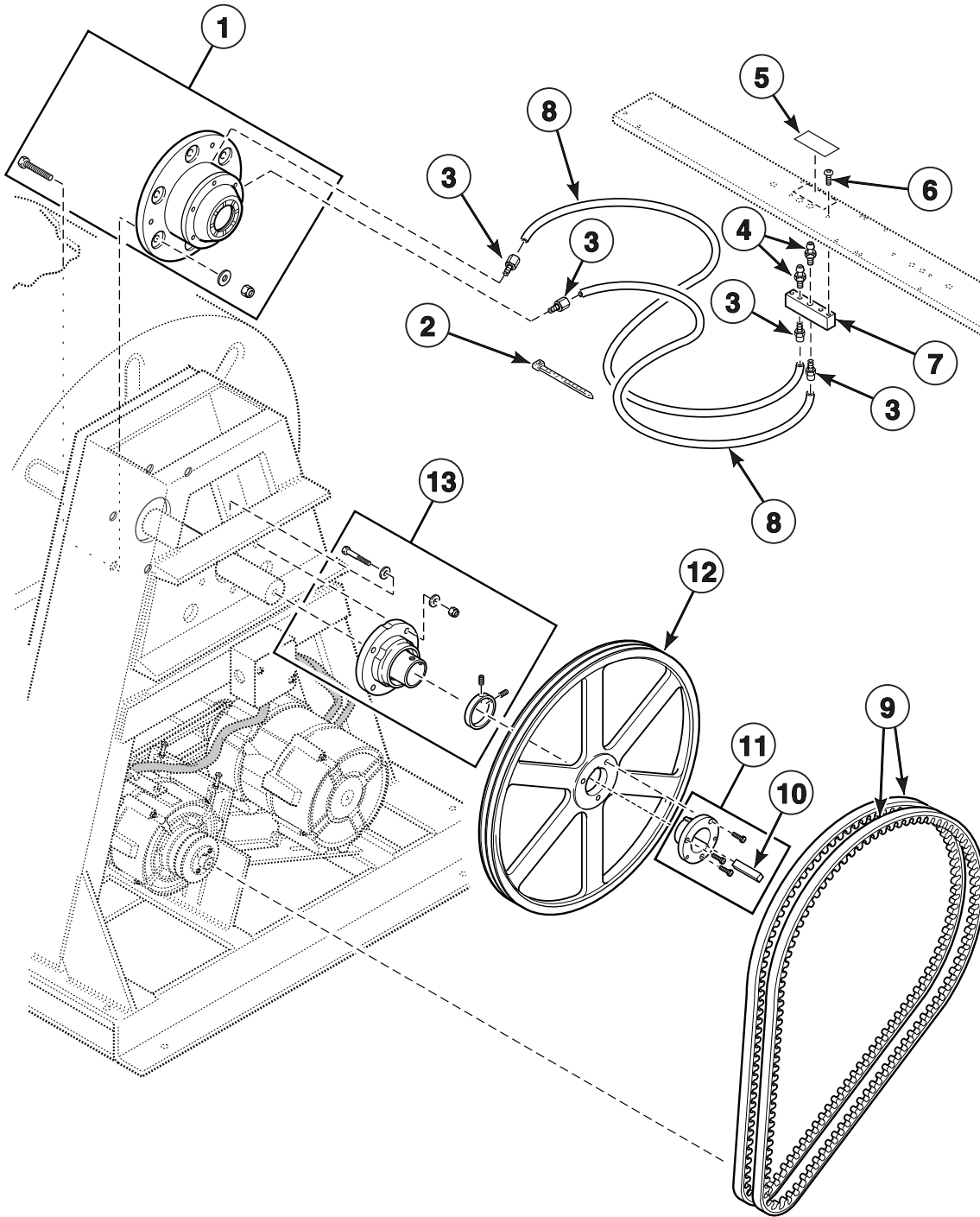


U010PE3D\_F232070

# Drain System

REF	PART NO.	DESCRIPTION	COMMENTS
1	F380628	Drain Valve	120 Volt
	F380629	Drain Valve	220 Volt
2	F200215	Clamp	#28
3	F150352	Overflow Plug	
4	F380943	Motor	120 Volt
	G159764	Motor Assembly	220 Volt
5	F200213	Clamp	#40
6	F150317	Overflow Hose	
7	F430103	Screw	
8	F150398	Drain Tee	
9	F430317	Washer	
10	F430215	Locknut	
11	F200219	Clamp	#48
12	F150399	Drain Hose	Rear
13	F150400	Drain Hose	Front

# Bearings, Basket Pulley and Grease Manifold

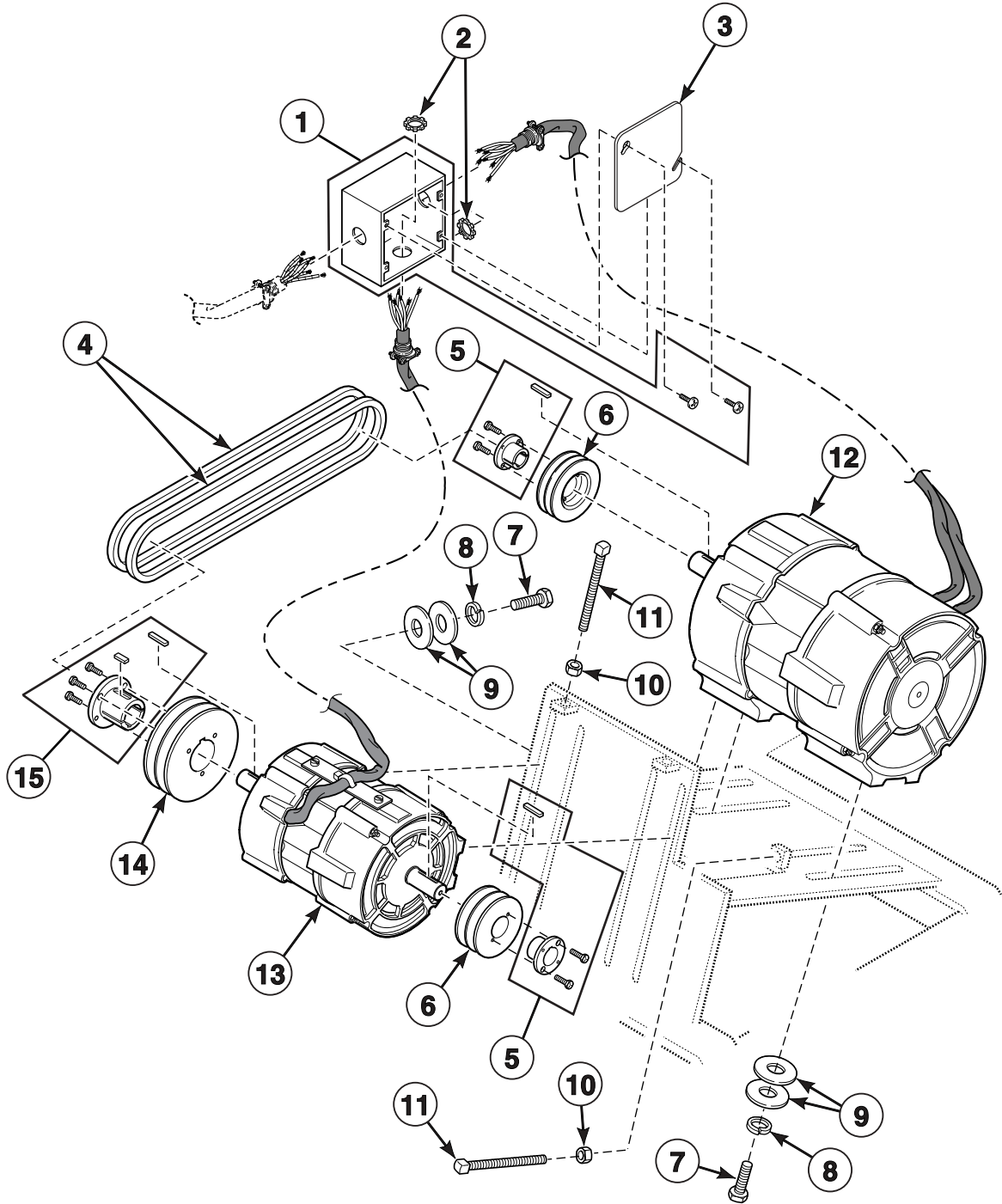


U008PE3C\_F232070

## Bearings, Basket Pulley and Grease Manifold

REF	PART NO.	DESCRIPTION	COMMENTS
1	F745015-1	Front Bearing Kit	
2	F140605	Tie	6 inch
3	F422101	Coupling	
4	F190701	Grease Fitting	
5	F231078	Decal	Lubrication instruction
6	F430925	Screw	
7	F320326	Grease Manifold	
8	F200190	Tubing	Order 11 feet
9	F280359	Belt	Motor to basket
	F280338	Belt	Motor to motor
10	F608824-1	Key	
11	F280267	Bushing	Includes screws and item 10
12	F280256	Pulley	
13	F745016-1	Rear Bearing Kit	

# Motors



CHM2132P\_F232070

# Motors

REF	PART NO.	DESCRIPTION	COMMENTS
1	F140400	Junction Box	Includes screws
2	F140312	Connector	
3	F140401	Junction Box Cover	
4	F280338	Belt	Motor to motor
5	F280212	Bushing	Includes screws and key
6	F280150	Pulley	Outside; 50 Hertz; 2BK36H
	F280128	Pulley	Outside; 60 Hertz; 2BK55H
7	F430109	Screw	
8	F430305	Lockwasher	
9	F430300	Washer	
10	F430205	Nut	
11	F430509	Bolt	
12	F220310	Motor	Wash; 208-240 Volt; 60 Hertz
	F220311	Motor	Wash; 380-480 Volt; 50 Hertz
13	F220308	Motor	Extract; 208-240 Volt; 60 Hertz
	F220309	Motor	Extract; 380-480 Volt; 50 Hertz
14	F280152	Pulley	Inside; 50/60 Hertz; 2TB52
15	F280193	Bushing	Includes screws and key





# Parts Index

## A

Adapter	
F421963 .....	37
Auxillary Contactor	
F330185 .....	7

## B

Barb	
F421930 .....	41
Basket Assembly	
F603949 .....	35, 37
Battery	
F191101 .....	11
Battery Adapter Board	
F370529 .....	11
Belt	
F280338 .....	51, 53
F280359 .....	51
Blocking Coil	
F160461 .....	19, 21
F160462 .....	19, 21
F160466 .....	19, 21
F160467 .....	19, 21
Bolt	
F430509 .....	53
Bottom Fill Hose	
F150414 .....	45
Bridge Rectifier	
F370310 .....	7, 13
Bushing	
F280193 .....	53
F280212 .....	53
F280267 .....	51

## C

Cable	
F140216 .....	13
Capacitor	
F370225 .....	7, 11
Capacitor Mounting Clamp	
F140612 .....	7, 11
Circuit Board Support	
F432001 .....	19, 21
Clamp	
F200207 .....	47
F200213 .....	45, 49
F200215 .....	49
F200219 .....	45, 49
F200222 .....	47
F200415 .....	45
Clip	
F601515 .....	23
Coil	
F380900 .....	39
F380917 .....	39

Coin Counter CCA	
F0370410-10 .....	19, 21
Coin Guide Assembly	
F632084 .....	19
F632681 .....	21
Coin Guide Plate Assembly	
F604496 .....	17
F608177 .....	17
Coin Meter	
F0160730-00 .....	21
F0160735-00 .....	19
F0160736-00 .....	21
F160698 .....	21
F160716 .....	21
F160717 .....	19
F160718 .....	19
F160719 .....	19
Coin Meter Assembly	
F608209-1 .....	19
F608209-12 .....	19
F609179-10 .....	17
F609179-12 .....	21
F609179-2 .....	17
F609179-4 .....	17
F609179-5 .....	17
F609179-6 .....	21
F609179-8 .....	21
F609318-3 .....	21
F632364-7 .....	19
F633960-5 .....	21
F633960-9 .....	21
F650013 .....	19
Coin Meter Insert	
F608925 .....	19, 21
Coin Meter Kit	
F609179-1 .....	17
F775308-01 .....	21
Computer	
F370518-00 .....	17
F370518-10 .....	17
F370555-01 .....	17
F370555-11 .....	17
Connector	
F140312 .....	53
F141020 .....	13
Contacto	
F330147 .....	11
F330175 .....	7, 11
F330177 .....	7, 11
Control Panel Decal	
F231016 .....	15
F231018 .....	15
F231155 .....	15
F231165 .....	15
F231233 .....	15
F231238 .....	15
F231252 .....	15
F231254 .....	15
F231257 .....	15
F231468 .....	15
F231538 .....	15
Control Panel Extrusion	
F150402 .....	15
F150403 .....	15

Coupling	
F422101 .....	51
Cover	
F140423 .....	11
F603003 .....	33
Cycle Selector Switch	
F340413 .....	9
F340442 .....	9
Cycle Timer Indicator Cover	
F150249 .....	9
Cycle Timer Indicator Kit	
F730525 .....	9

## D

DC Power Cable	
F140202 .....	19, 21
Decal	
F140912 .....	9, 13
F140913 .....	9, 13
F140914 .....	9, 13
F140915 .....	9, 13
F140916 .....	9, 13, 19, 21
F140927 .....	9
F230202 .....	5
F230206 .....	5
F230207 .....	5
F230215-1 .....	5
F230216 .....	5
F230626 .....	5
F230630 .....	5
F230661 .....	5, 29
F230662 .....	29
F230693 .....	5
F230739 .....	5
F230756 .....	5
F230803 .....	19, 21
F230877 .....	5
F231010 .....	17, 19, 21
F231065 .....	5
F231078 .....	51
F231146 .....	5
Delay Relay CCA	
F370437 .....	7
F370438 .....	7
Digital Display LED CCA	
F370424-1 .....	21
Door Assembly	
F608783-1 .....	29
F608783-2 .....	29
Door Gasket	
F170164 .....	29
Door Glass Gasket	
F170115 .....	29
Door Handle	
F150225 .....	29
Door Handle Kit	
F730155 .....	29
Door Hinge	
F150224 .....	29
Door Lock Assembly Cover	
603003 .....	31
Door Lock Catch	
150223 .....	31

Door Lock Catch Casting	
F150223 .....	33
F150261 .....	31, 33
Door Lock CCA	
F370430-1 .....	7
F370430-3 .....	7
Door Lock Lever	
F605381 .....	33
605381 .....	31
Door Lock Microswitch	
F340919 .....	33
340919 .....	31
Door Lock Plate Cover	
602567 .....	31
Door Lock Plate Shim	
F603185 .....	31
Door Lock Plate Subassembly	
F602511-2 .....	33
F605394-1 .....	31
F605394-2 .....	31
Door Lock Relay CCA	
F370426-1 .....	11
F370426-2 .....	11
Door Lock Solenoid	
F300113 .....	33
F300123 .....	31
Door Lock Splash Shield	
F320200 .....	31
Door Lock Spring	
F310110 .....	31
F310125 .....	29
Door Lock Subassembly	
F604753-3 .....	33
F604753-4 .....	33
Door Lock Torsion Spring	
F310110 .....	33
Door Mount	
F150226 .....	29
Door Release Solenoid	
F300112 .....	33
F300128 .....	31
Door Retainer Spinning	
F320102 .....	29
Door Spacer	
F0150273-00 .....	29
Door Switch	
F340200 .....	33
Door Weldment	
F608782-1 .....	29
F608782-2 .....	29
Drain Hose	
F150399 .....	49
F150400 .....	49
Drain Tee	
F150398 .....	49
Drain Valve	
F380628 .....	49
F380629 .....	49

## E

Electrical Panel Subassembly	
F0606950-02 .....	13
F607358 .....	9

---

**F**

Filter	
F270305 .....	43
F270306 .....	43
Filter Screen	
F270300 .....	43
Flange Relay	
F330227 .....	7, 13
F330230 .....	7, 13
Flow Restrictor	
F380119 .....	41
Frame Assembly	
F603926 .....	25
Front Bearing Kit	
F745015-1 .....	51
Front Panel Kit	
F757476 .....	15
F757480 .....	15
Fuse	
F350109 .....	13
F350110 .....	11, 13
F350127 .....	19, 21

---

**G**

Gasket	
F170152 .....	35, 37
F170402 .....	25
F270407 .....	43
Gasket Retaining Plate	
F608703 .....	27
Glass	
F290210 .....	29
Grease Fitting	
F190701 .....	51
Grease Manifold	
F320326 .....	51

---

**H**

Heating Element	
F360205 .....	37
Heating Element Plug	
F360202 .....	37
Hose	
F200108 .....	47
F200128 .....	47
F200164 .....	43
F200166 .....	43

---

**I**

Inner Front Panel	
F603989-4 .....	15
Inner Front Panel Gasket	
F170401 .....	15
Input Assembly	
F141869 .....	13

---

Input Wiring Harness	
F140250 .....	17
Interlock	
F330152 .....	11
Interlock Contactor	
F330186 .....	7, 11

---

**J**

Junction Box	
F140400 .....	53
Junction Box Cover	
F140401 .....	53

---

**K**

Key	
F160562 .....	25
F190805-1 .....	25
F608824-1 .....	51
Keypad	
F370576 .....	17

---

**L**

Label	
81968R1 .....	5
Lanyard	
F150426 .....	27
Latch Arm	
F0150229-00 .....	29
L-Catch Kit	
F746808 .....	31, 33
Lift-Off Hinge	
F190202 .....	27
F190205 .....	27
Lock	
F190802 .....	25
F190805 .....	25
Locknut	
F430201 .....	35, 37
F430215 .....	15, 25, 29, 31, 33, 49
F430218 .....	35, 37
F430220 .....	31
F430225 .....	31, 33
F430231 .....	9, 17, 27, 33, 45
F430232 .....	23, 29, 31, 33
F430243 .....	19, 21
Lockwasher	
F430305 .....	53
F430322 .....	39, 41
F431100 .....	7, 11, 29, 33
F431108 .....	7, 11, 27
F431113 .....	7, 13, 27, 29
F431137 .....	27
431100 .....	31

---

**M**

Magnet	
F340703 .....	29

---

Magnetic Switch Assembly	
F631990.....	15
Membrane Switch	
F340605.....	17
F340608.....	17
F340610.....	17
F340614.....	17
Motor	
F160537.....	9
F160538.....	9
F160539.....	9
F220308.....	53
F220309.....	53
F220310.....	53
F220311.....	53
F380943.....	49
Motor Assembly	
G159764.....	49
Mounting Bracket	
F608169.....	19, 21
Mounting Bracket Assembly	
F632335.....	9

## N

Nipple	
F421969.....	41
Nut	
F430205.....	25, 53
F430211.....	7, 11
F431022.....	7, 13, 29
F431026.....	29
F431037.....	27
F431041.....	29

## O

One-Way Valve	
F380760.....	39
F380953.....	39
F381702.....	41
F381703.....	41
Optic Switch Kit	
F775801-01.....	19, 21
F775801-02.....	17
Output Board CCA	
F370449.....	13
F370450.....	13
Overflow Hose	
F150317.....	45, 49
Overflow Plug	
F150352.....	49

## P

Panel	
F607359.....	9
Pin	
F431222.....	29
Pipe	
F608237.....	45

Plug	
F420408.....	35, 37
F421507.....	35
Power Supply CCA	
F370411-1.....	19, 21
F370411-2.....	19, 21
Pulley	
F280128.....	53
F280150.....	53
F280152.....	53
F280256.....	51
Push Button Rod	
F320300.....	29
Pushbutton Boot	
F340409.....	7
Pushbutton Stop	
F602540.....	33
F605382.....	31
Push-Pull Knob	
F190101.....	27

## R

RC Network Filter	
F330217.....	13, 19, 21
Rear Bearing Kit	
F745016-1.....	51
Rear Panel	
F603976.....	25
Reducer Bushing	
F421936.....	37
Relay	
F330203.....	11
F330206.....	11
Relay Board	
F370519.....	13
F610808.....	13
Relay CCA	
F370437.....	11
F370438.....	11
Replacement Filter	
F270405.....	43
F270406.....	43
Ribbon Cable	
F140215.....	17
Ribbon Connector	
F140216.....	17
Rivet	
F430418.....	15
F431215.....	19, 21
F431217.....	15
F431223.....	27
Rocker Switch	
F340411.....	23
Rod	
F602813-3.....	29

## S

Screw	
F430103.....	49
F430108.....	25
F430109.....	25, 53

F430144	35, 37
F430174	15, 25, 27, 33
F430532	29
F430536	29
F430904	7, 11
F430907	27
F430916	7, 13, 29
F430917	7, 11
F430921	31, 33
F430925	15, 25, 51
F430928	9, 13, 27, 45
F430929	39, 41
F430935	15
F430947	35, 37
F430948	9
F430976	29
F430977	33
F430978	33
F430986	15
F432229	27
F432257	29
430174	31
430925	31
430977	31
Shaft Sleeve	
F320347	35, 37
Shell Band Fastener Kit	
F791001	35, 37
Shell Band Kit	
F0798852-00	35, 37
Shell Front Assembly	
F603988	35, 37
Shell Weldment	
F603959	37
F634696	35
Shield	
F320200	33
Shim	
F602679	29
F603185	33
Side Panel	
F603969	25
Spacer	
F431901	31, 33
Stud	
F390300	25
Supply Decal	
F231045	25
Supply Dispenser Assembly	
F608271-1	27
Supply Dispenser Cover Assembly	
F608704	27
Supply Dispenser Cover Gasket	
F608705	27
Supply Dispenser Cup	
F150368	27
F150369	27
Supply Dispenser Lid Latch	
F432223	27
Supply Dispenser Mounting Bracket	
F608282	27
Supply Dispenser Subassembly	
F608271-2	27
Support	
F603947	25

Switch	
F340403	7
F340412	23
Switch Panel Assembly	
F606999	23
Switch Panel Decal	
F230918	23
F230918-2	23
F230963	23
Switch Plate Decal	
F230840	23
F231450	23
Switch Plate Subassembly	
F633092-1	23
F633098	23

---

## T

Tag	
F230528	5
Take-Apart Hinge	
F190203	25
Temperature Probe	
F370606	37
Terminal Strip	
F140738	7, 13, 19, 21
Thermostat	
F290111	37
Tie	
F140605	51
Timer	
F330335	7, 11
Timer Cycle	
F160301	9
F160304	9
Top Brace	
F603972	25
Top Cover Assembly	
F608791	25
Top Cover Latch	
F602753	25
Top Fill Hose	
F150413	45
Trim	
F0150501-00	15
Tubing	
F200190	51
Two-Way Valve	
F380776	39
F380952	39
F381722	41
F381731	41

---

## V

Vacuum Breaker Weldment	
F608347	45
Valve Panel Subassembly	
F608797	25
Valve Repair Kit	
F380938	39
F380939	39

Vent Hose	
F200170.....	45

---

## **W**

Washer	
F430300.....	53
F430301.....	25, 35, 37
F430311.....	19, 21, 23
F430317.....	25, 49
F430325.....	35, 37
F430338.....	15
F431123.....	9, 27
F431125.....	27
F431133.....	19, 21
F431902.....	33
F431903.....	31, 33
F431907.....	29
20290.....	43
431123.....	31
431902.....	31
Water Inlet Manifold	
F150246.....	39, 41
F150247.....	39, 41
Water Level Switch	
F0340351-10.....	13
F340337.....	7
Wire	
F140160.....	17
Wiring Harness	
F140249.....	11
F607322-2.....	19, 21

---

## **Y**

Y Connector	
F422808.....	47

---