

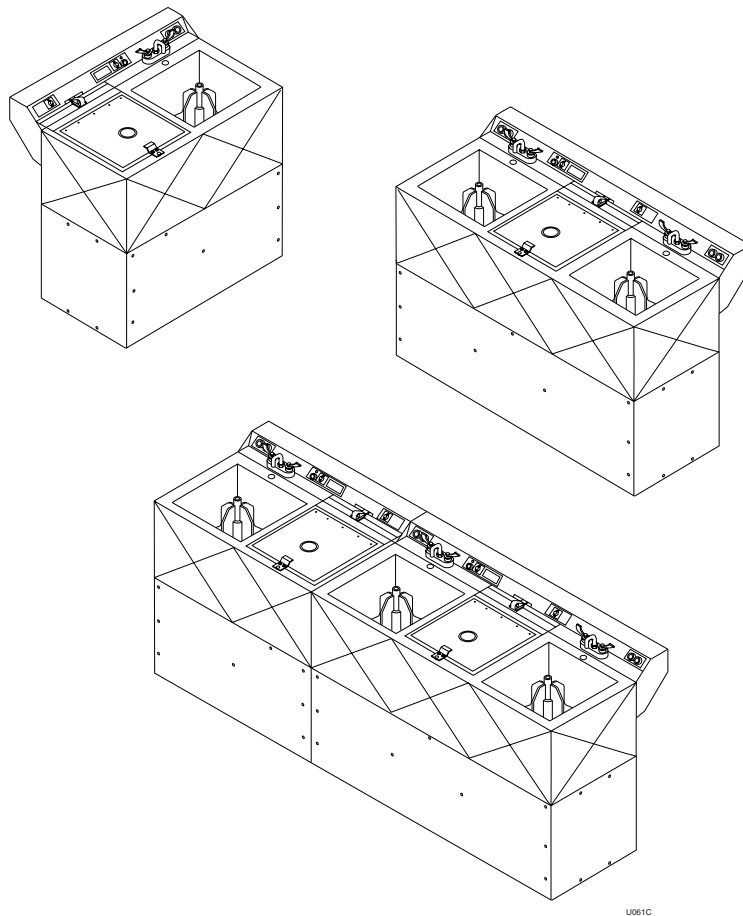
Washer-Extractor

Twin Tub

UM100

UM202

UM1202



Parts

Table of Contents

Title	Page
Parts Ordering Information	2
Nameplate Location	2
Model Identification	3
Panel, Tub and Frame Assembly	4
Panel, Tub and Frame Assembly	6
Lid Assembly	8
Lid Lock Assembly	10
Lock Assembly	12
Lock Assembly	14
Control Panel Assembly	16
Control Panel Assembly	18
Contactor Box Assembly	20
Contactor Box Assembly	22
Drain, Spray–Rinse and Fill Assembly	24
Drain, Spray–Rinse and Fill Assembly	26
Drain Valve Assembly	28
Drain Valve Assembly	30
Float Valve Assembly	32
Faucet Assembly	34
Motor Assembly	36
Transmission and Agitator Assembly	38
Transmission and Agitator Assembly	40
Transmission Retrofit Kit Assembly	42
Transmission and Agitator Assembly	44
Parts Index	47

© Copyright 2002, Alliance Laundry Systems LLC

All rights reserved. No part of the contents of this book may be reproduced or transmitted in any form or by any means without the expressed written consent of the publisher.

Parts Ordering Information

Alliance Laundry Systems is not responsible for personal injury or property damage resulting from improper service. Review all service information before beginning repairs.

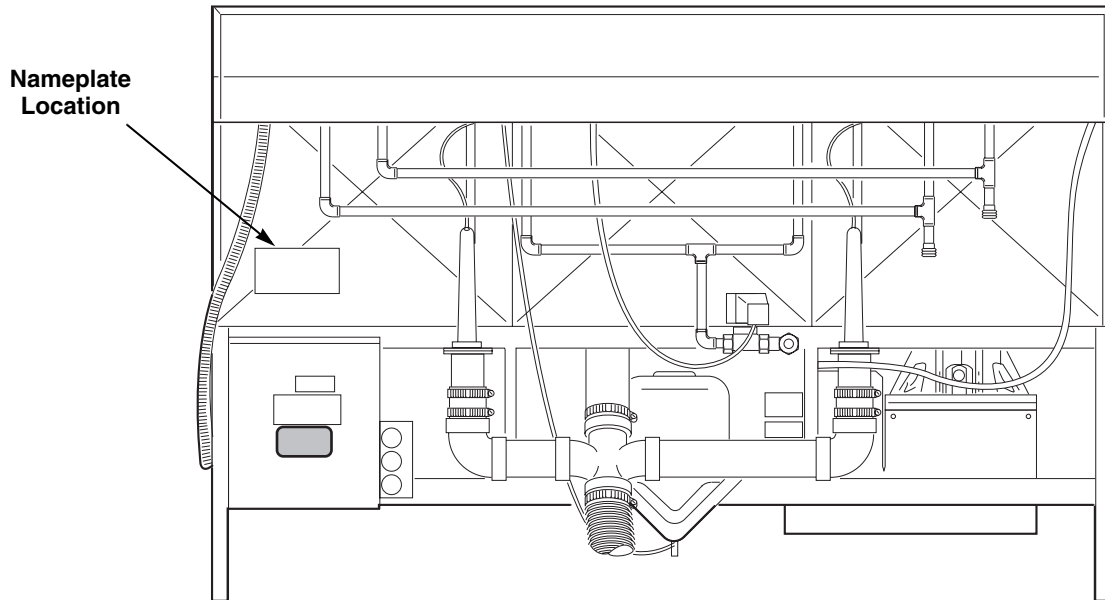
For technical assistance, call the following number:

(850) 718-1026
Marianna, Florida

If literature or replacement parts are required, contact the source from whom the machine was purchased or contact Alliance Laundry Systems at (920) 748-3950 for the name of the nearest authorized parts distributor.

Nameplate Location

When calling or writing about your product, be sure to mention model and serial numbers. Model and serial numbers are located on nameplate(s) as shown.

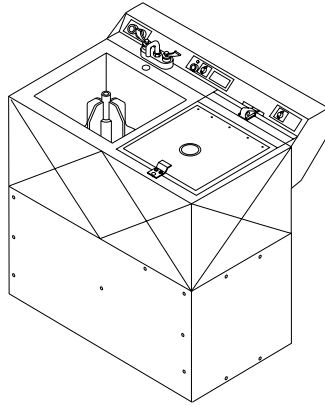


CAR1691P

Model Identification

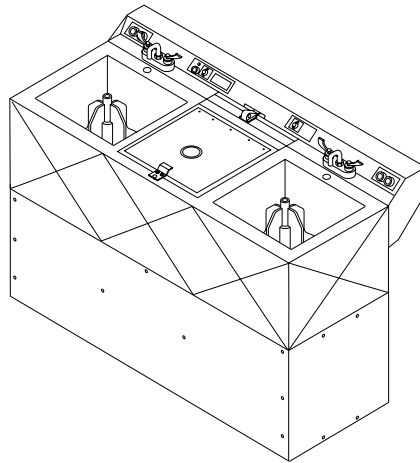
Information in this manual is applicable to these washer-extractors:

UM100



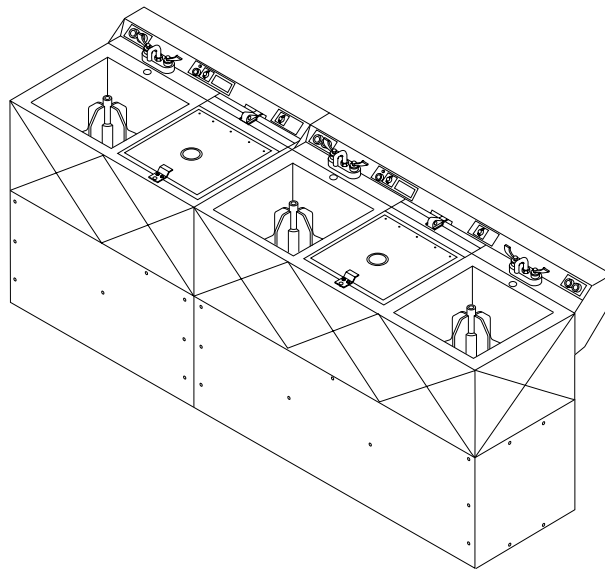
U062C

UM202



U063C

UM1202

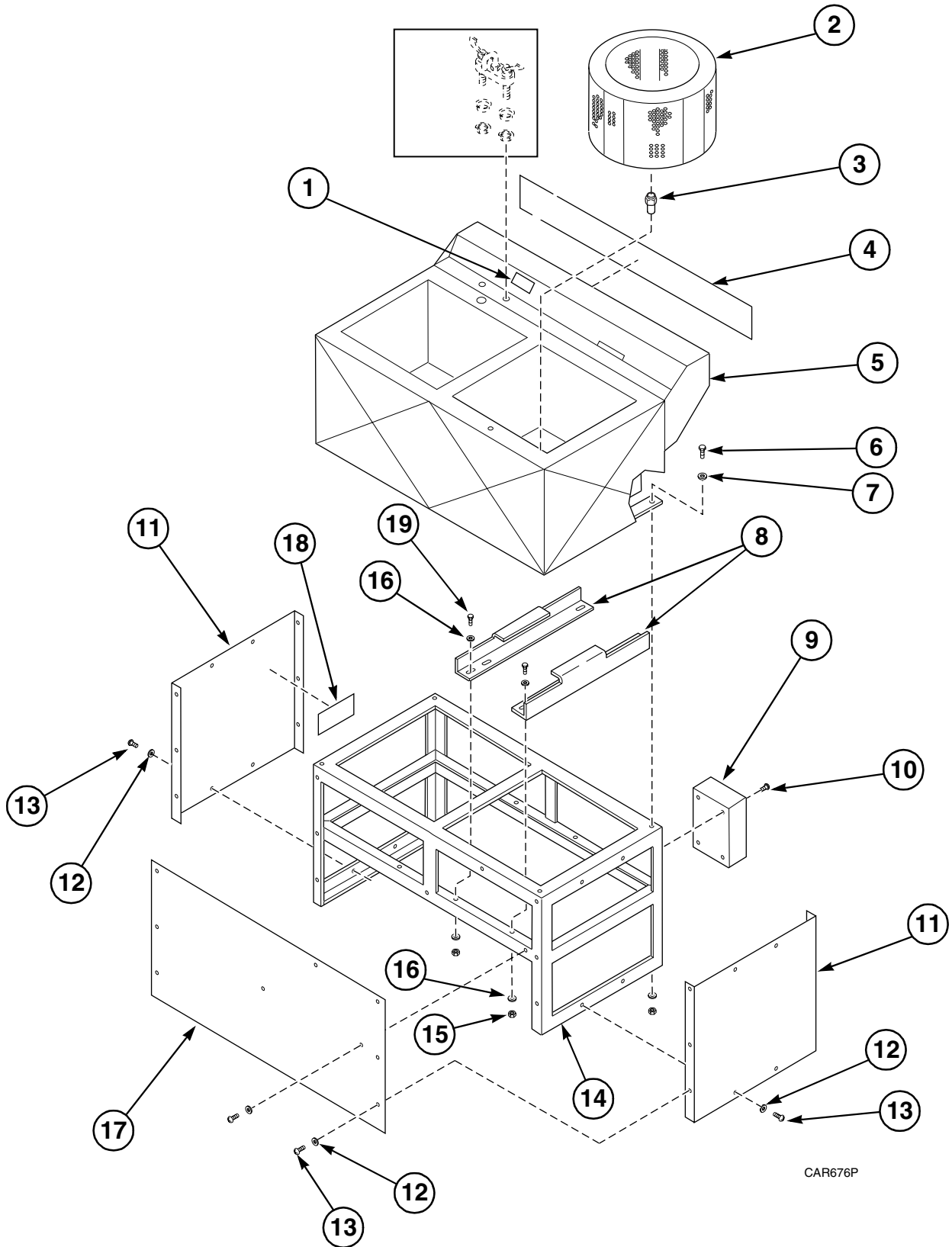


U064C

NOTE: The UM1202 consists of one UM100 and one UM202.

Panel, Tub and Frame Assembly

UM100



CAR676P

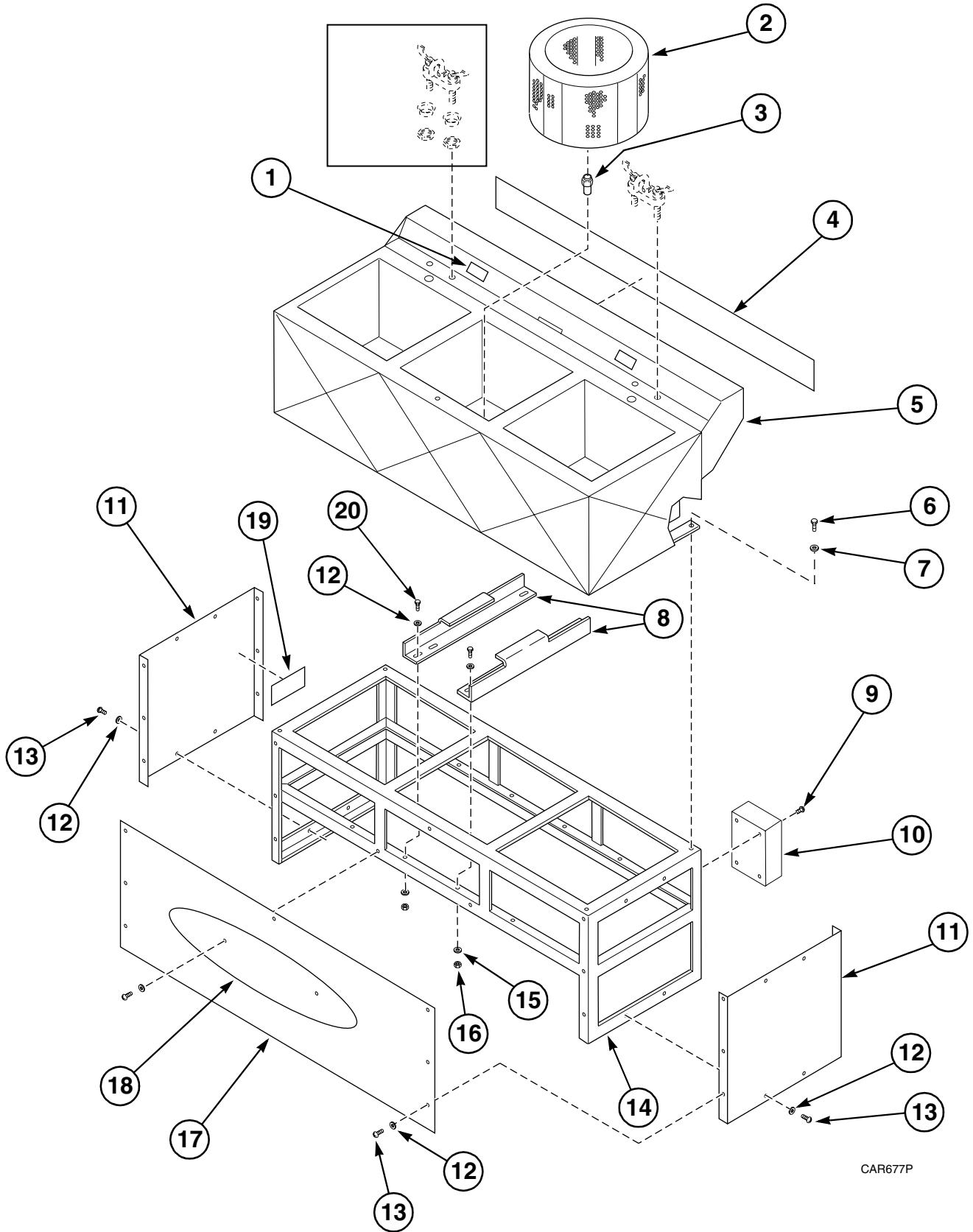
Panel, Tub and Frame Assembly

UM100

REF	PART #	DESCRIPTION	COMMENTS
1	F231442	Decal	Caution; Water level
2	F602568	Extractor Basket Assembly	
3	F601496	Basketball	Slides onto motor shaft
4	F601139	Back Panel	
5	F602493	Tub Assembly	Standard
	F602493-1	Tub Assembly	Car wash option models
6	F430939	Screw	
7	F431112	Washer	
8	F601486	Motor Rail	
9	F140430	Junction Box	
10	F430115	Screw	
11	F602496	End Wrap	
12	F431104	Washer	
13	F430923	Screw	
14	F601260	Frame Assembly	
15	F430218	Nut	
16	F430301	Washer	
17	F601090	Skirt Panel	
18		Decal	Serial; Contact factory with model and serial number
19	F430116	Screw	

Panel, Tub and Frame Assembly

UM202



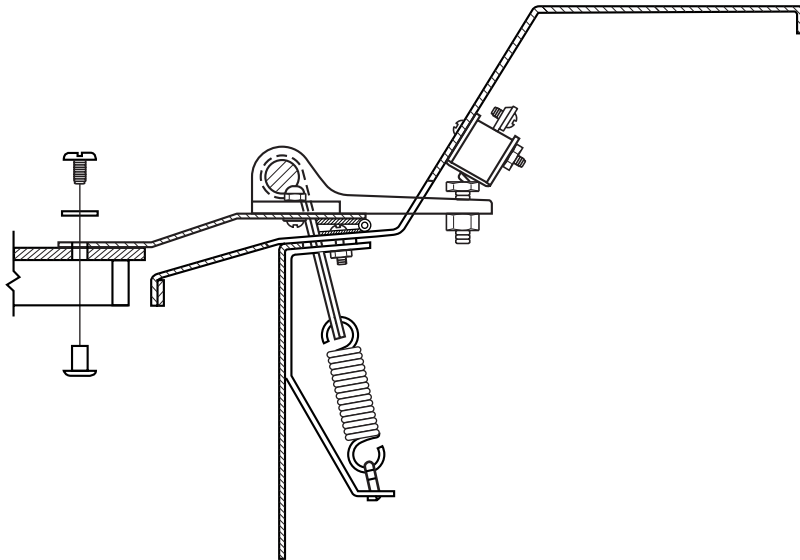
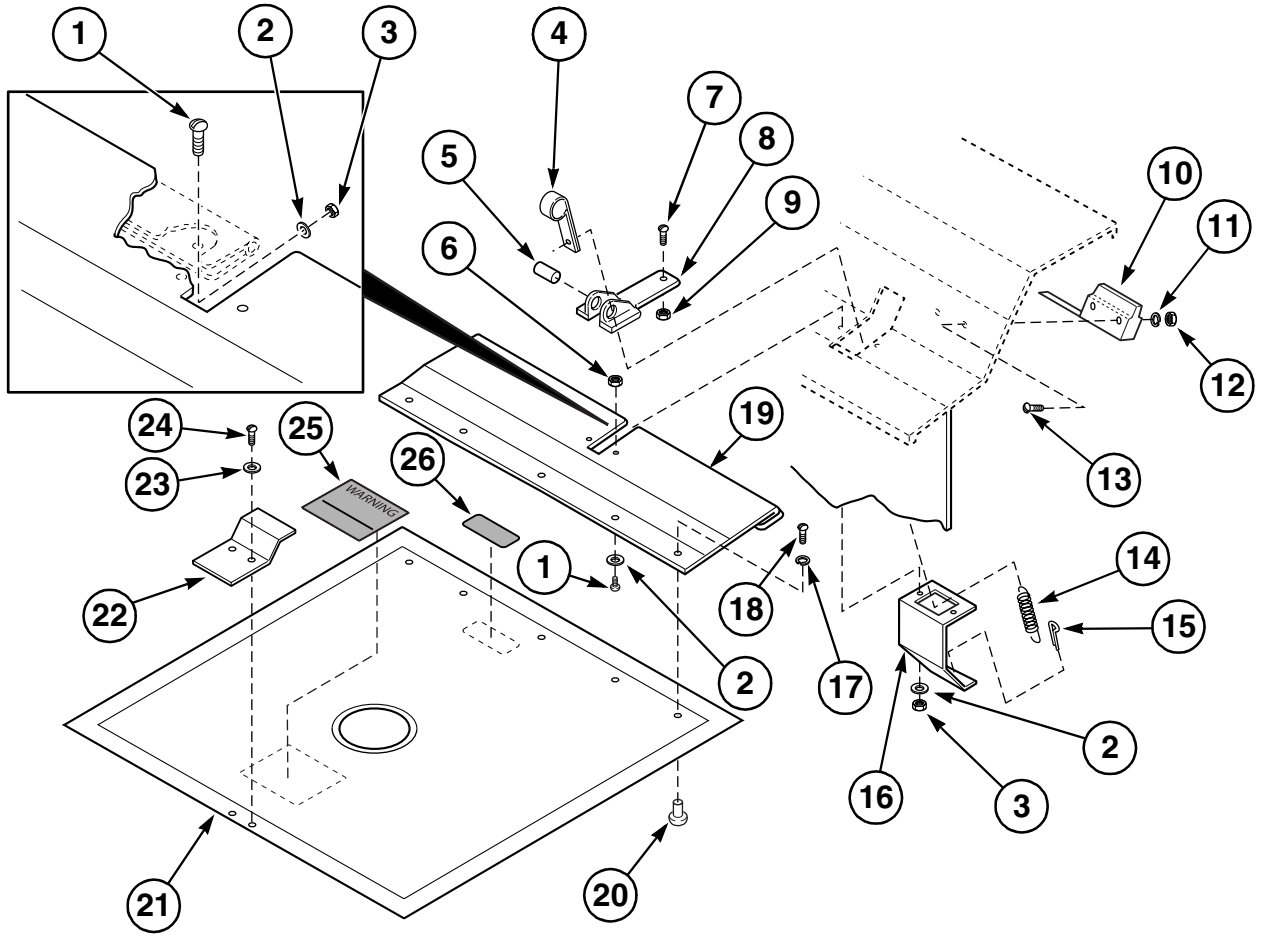
CAR677P

Panel, Tub and Frame Assembly

UM202

REF	PART #	DESCRIPTION	COMMENTS
1	F231442	Decal	Caution; Water level
2	F602568	Extractor Basket Assembly	Contact factory with model and serial number
3	F601496	Basketball	Slides onto motor shaft
4	F601138	Back Panel	
5	F602494	Tub Assembly	Standard
	F602494-1	Tub Assembly	Car wash option models
6	F430939	Screw	
7	F431112	Washer	
8	F601486	Motor Rail	
9	F430115	Screw	
10	F140430	Junction Box	
11	F602496	End Wrap	
12	F431104	Washer	
13	F430923	Screw	
14	F601259	Frame Assembly	
15	F430301	Washer	
16	F430218	Nut	
17	F601140	Skirt Panel	
18	F230806	Decal	Logo
19		Decal	Serial; Contact factory with model and serial number
20	F430116	Screw	

Lid Assembly



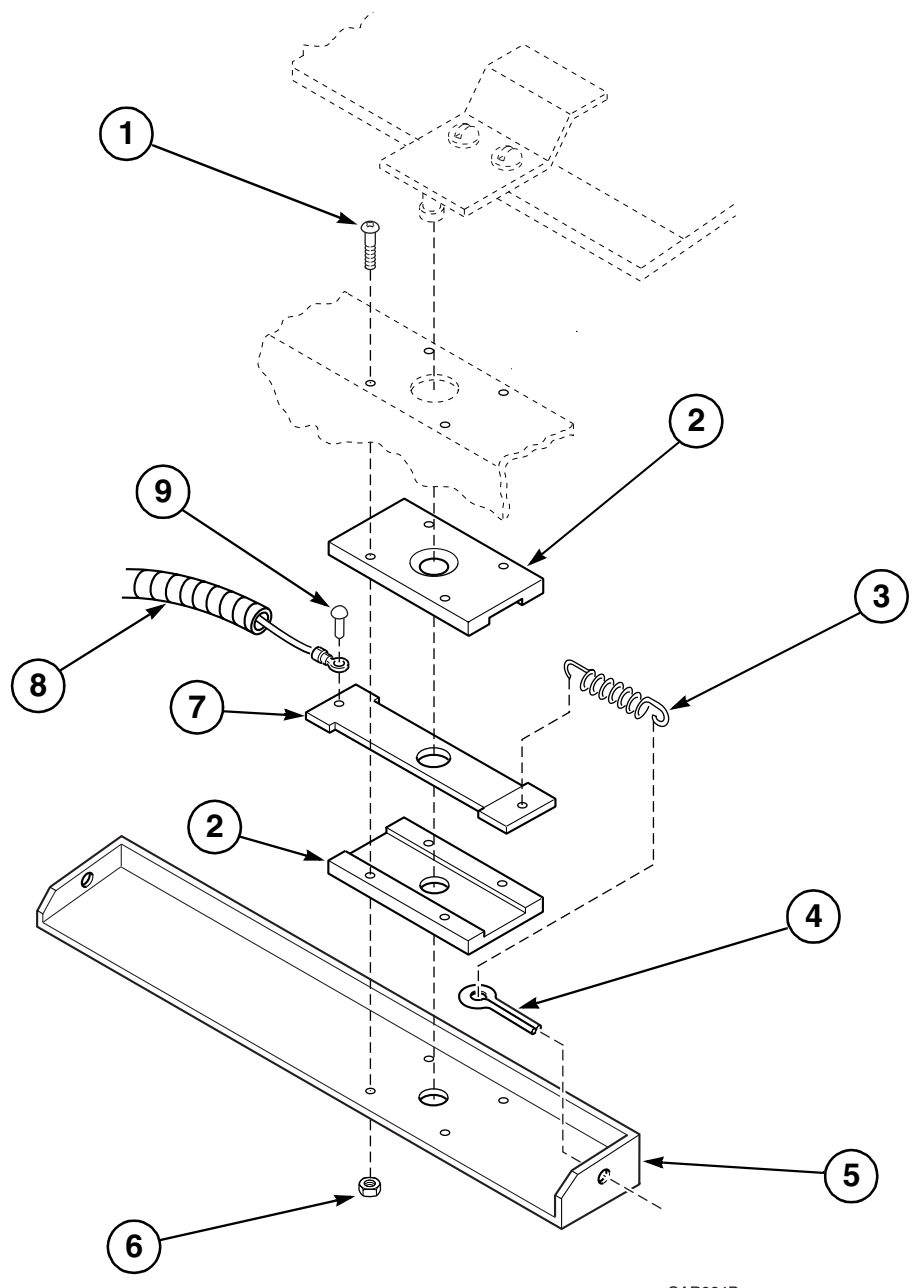
ASSEMBLED VIEW

CAR983P

Lid Assembly

REF	PART #	DESCRIPTION	COMMENTS
	F730087	Post and Screw Kit	Includes items 17, 18 and 20
	F730020	Extractor Lid Kit	Includes items 17, 20, 21 and 25; Hook style; Used until 8/89
	F730371	Extractor Lid Kit	Includes items 21 and 25; Pin style; Used after 8/89
1	F430903	Screw	
2	F431106	Lockwasher	
3	F431000	Nut	
4	F601033	Spring Bracket	
5	F432308	Saddle Pin	
6	F431028	Nut	
7	F430906	Screw	
8	F150206	Saddle Hinge	
9	F431005	Nut	
10	F340903	Microswitch	
11	F431113	Lockwasher	
12	F431022	Nut	
13	F430938	Screw	
14	F310122	Spring	
15	F431202	Cotter Pin	
16	F601958	Lid Lock Spring Bracket	
17	F431106	Lockwasher	
18	F430986	Screw	
19	F603300	Lid Hinge Assembly	
20	F430147	Rivet Post	
21	F170410	Extractor Lid	
22	F605868	Lid Handle Assembly	
23	F431102	Lockwasher	
24	F430920	Screw	
25	F230757	Decal	Warning
26	F230607	Decal	Rotation

Lid Lock Assembly



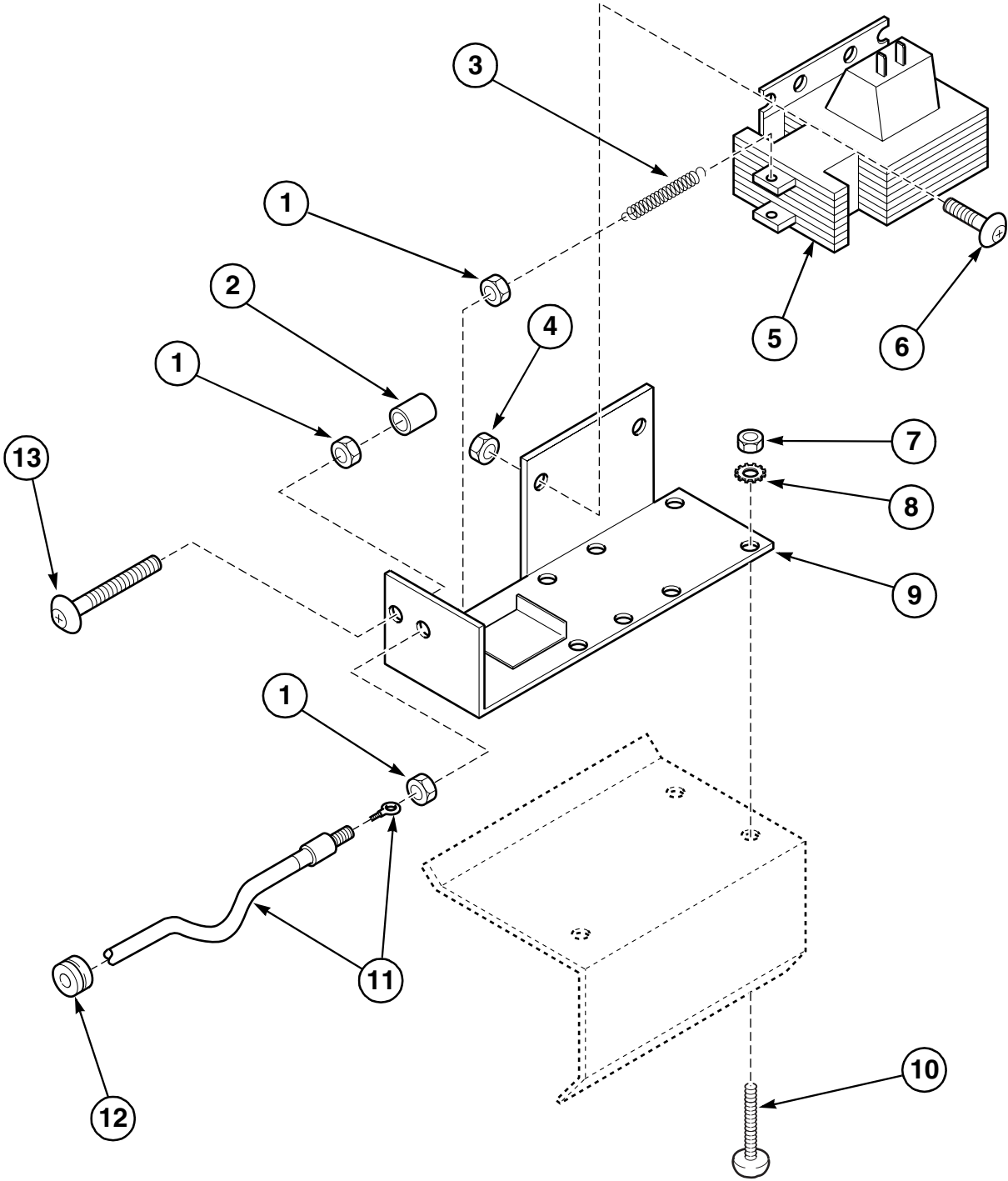
CAR984P

Lid Lock Assembly

REF	PART #	DESCRIPTION	COMMENTS
	F730368	Lid Lock and Cable Kit	Includes items 2, 3, 4, 5, 6, 7, 8 and 9
	F605423	Lid Lock Assembly	Includes all items on the page and Lid Handle Assembly (F605868)
1	F432291	Screw	
2	F602513	Lid Lock Slide Carrier	
3	F310128	Lid Lock Spring	
4	F431216	Cotter Pin	
5	F605388	Cable Support Bracket	
6	F431017	Nut	
7	F602514	Lid Lock Slide	
8	F190800	Lid Lock Cable	
9	F431210	Rivet	

Lock Assembly

Used After Serial No. 26643



CAR985P

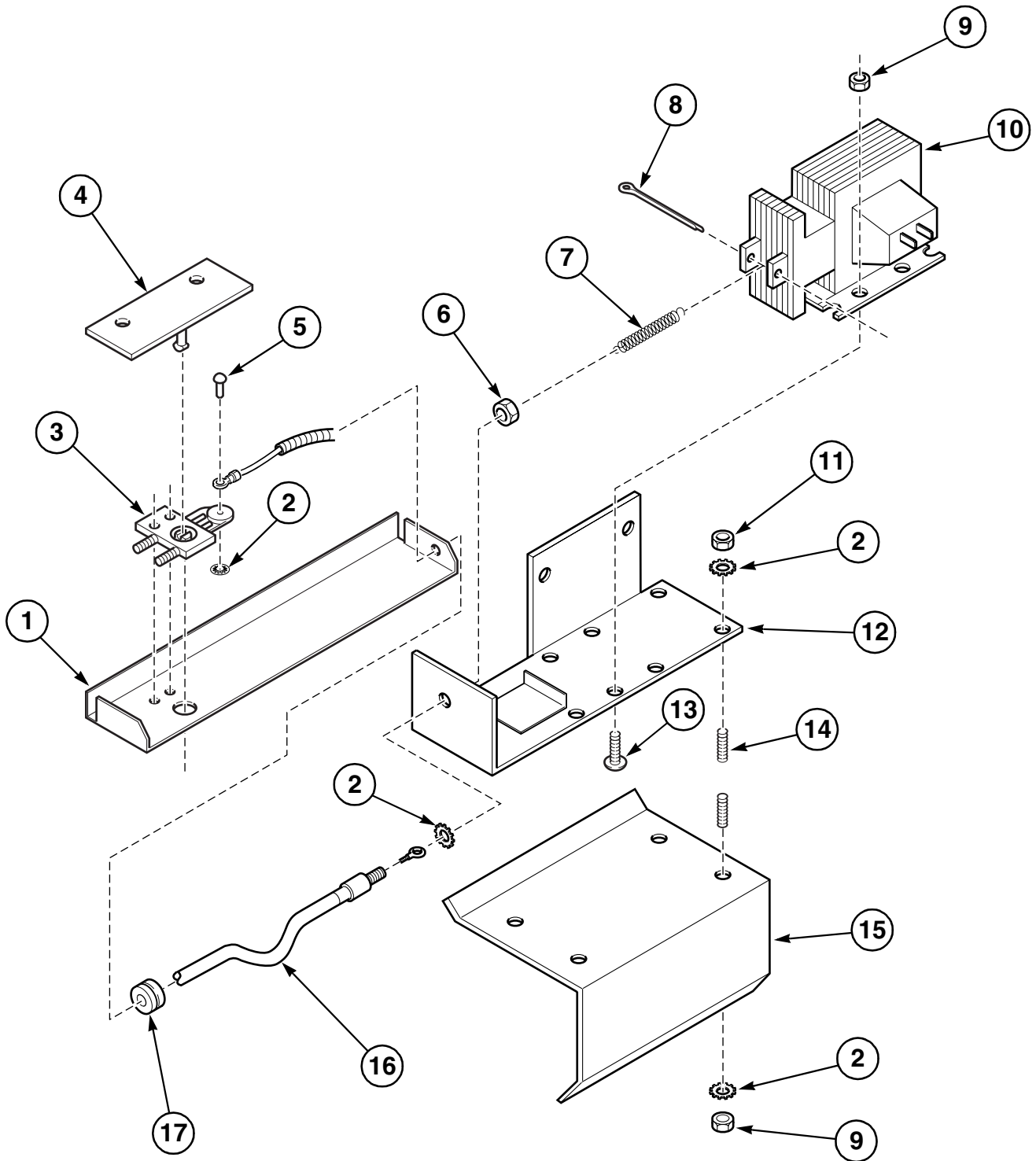
Lock Assembly

Used After Serial No. 26643

REF	PART #	DESCRIPTION	COMMENTS
1	F431105	Nut	
2	F190310	Cap	
3	F310105	Lid Lock Spring	
4	F431017	Nut	
5	F300106	Lid Lock Solenoid	120 Volt
	F300107	Lid Lock Solenoid	220 Volt
6	F430920	Screw	
7	F431000	Nut	
8	F431106	Lockwasher	
9	F602483	Mounting Bracket Assembly	
10	F430903	Screw	
11	F190800	Lid Lock Cable	
12	F170601	Grommet	
13	F430996	Screw	

Lock Assembly

Used Before Serial No. 26643



CAR1693P

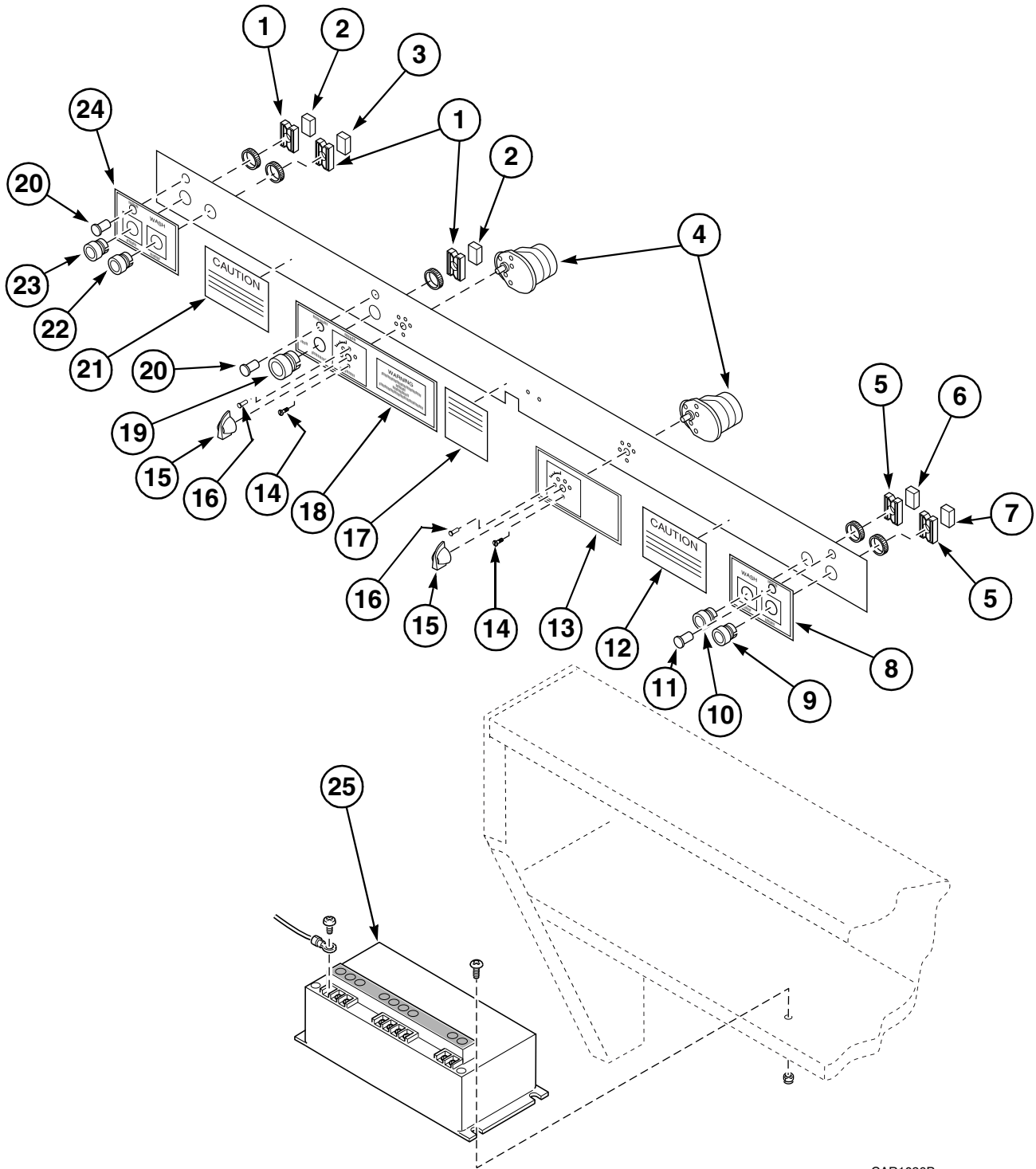
Lock Assembly

Used Before Serial No. 26643

REF	PART #	DESCRIPTION	COMMENTS
	F730008	Lid Lock and Cable Kit	
1	F601067	Cable Support Bracket	
2	F431106	Lockwasher	
3	F602484	Lid Latch Block Assembly	
4	F730027	Lid Latch Kit	
5	F431603	Rivet	
6	F430209	Nut	
7	F310128	Lid Lock Spring	
8	F430401	Cotter Pin	
9	F430220	Locknut	
10	F300106	Lid Lock Solenoid	120 Volt
	F300107	Lid Lock Solenoid	220 Volt
11	F431000	Nut	
12	F602483	Lid Lock Mounting Bracket Assembly	
13	F430106	Screw	
14	F432200	Sandwich Mount	
15	F601184	Lid Lock Mounting Bracket	
16	F190800	Lid Lock Cable	
17	F170601	Grommet	

Control Panel Assembly

Carwash Option Controls and Combination Timer Option Controls



CAR1026P

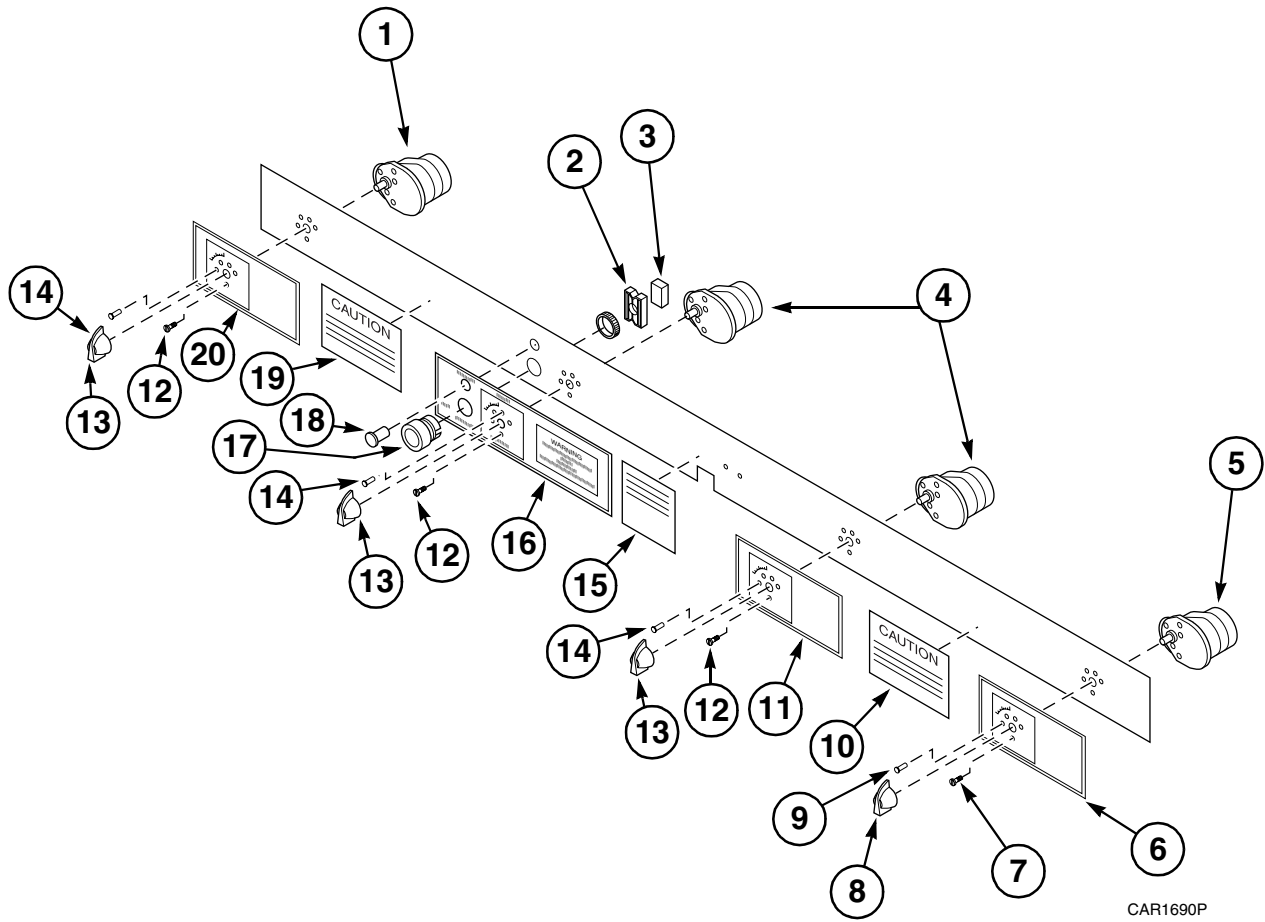
Control Panel Assembly

Carwash Option Controls and Combination Timer Option Controls

REF	PART #	DESCRIPTION	COMMENTS
1	F340720	Switch Mounting Base	
2	F340444	Switch	
3	F340445	Switch	
4	F730201	Timer Kit	120 Volt; Carwash; Includes items 14 and 15
	F730202	Timer Kit	220 Volt; Carwash; Includes items 14 and 15
	F330329	Timer	120 Volt; Carwash
	F330330	Timer	220 Volt; Carwash
	F777800	Timer Kit	120 Volt; Combination; Includes items 14 and 15
	F330337	Timer	120 Volt; Combination
5	F340720	Switch Mounting Base	UM202 only
6	F340444	Switch	UM202 only
7	F340445	Switch	UM202only
8	F230733	Decal	Wash/Run; UM202 only
9	F340707	Pushbutton	Green; UM202 only; Used until 4/99
	F340713	Pushbutton	Green; UM202 only; Used after 4/99
10	F340719	Pushbutton	Red; UM202 only
11	F350412	Light	Red; UM202 only
12	F231442	Decal	Caution; UM202 only
13	F230731	Decal	Rinse
14	F430998	Screw	
15	F330506	Timer Knob	Carwash
	F190104	Timer Knob	Combination
16	F432213	Rivnut	Lid unlock enable
17	F231053	Decal	Extract
18	F230730	Decal	
19	F340709	Pushbutton	Black; Used until 4/99
	F340712	Pushbutton	Black; Used after 4/99
20	F350412	Light	Red
21	F231442	Decal	Caution
22	F340708	Pushbutton	Red
23	F340707	Pushbutton	Green; Used until 4/99
	F340713	Pushbutton	Green; Used after 4/99
24	F230732	Decal	Wash/Run
25	F370543	Rotation Direction Detector	Used before 6/01

Control Panel Assembly

Standard Timer Controls and Combination Timer Option Controls



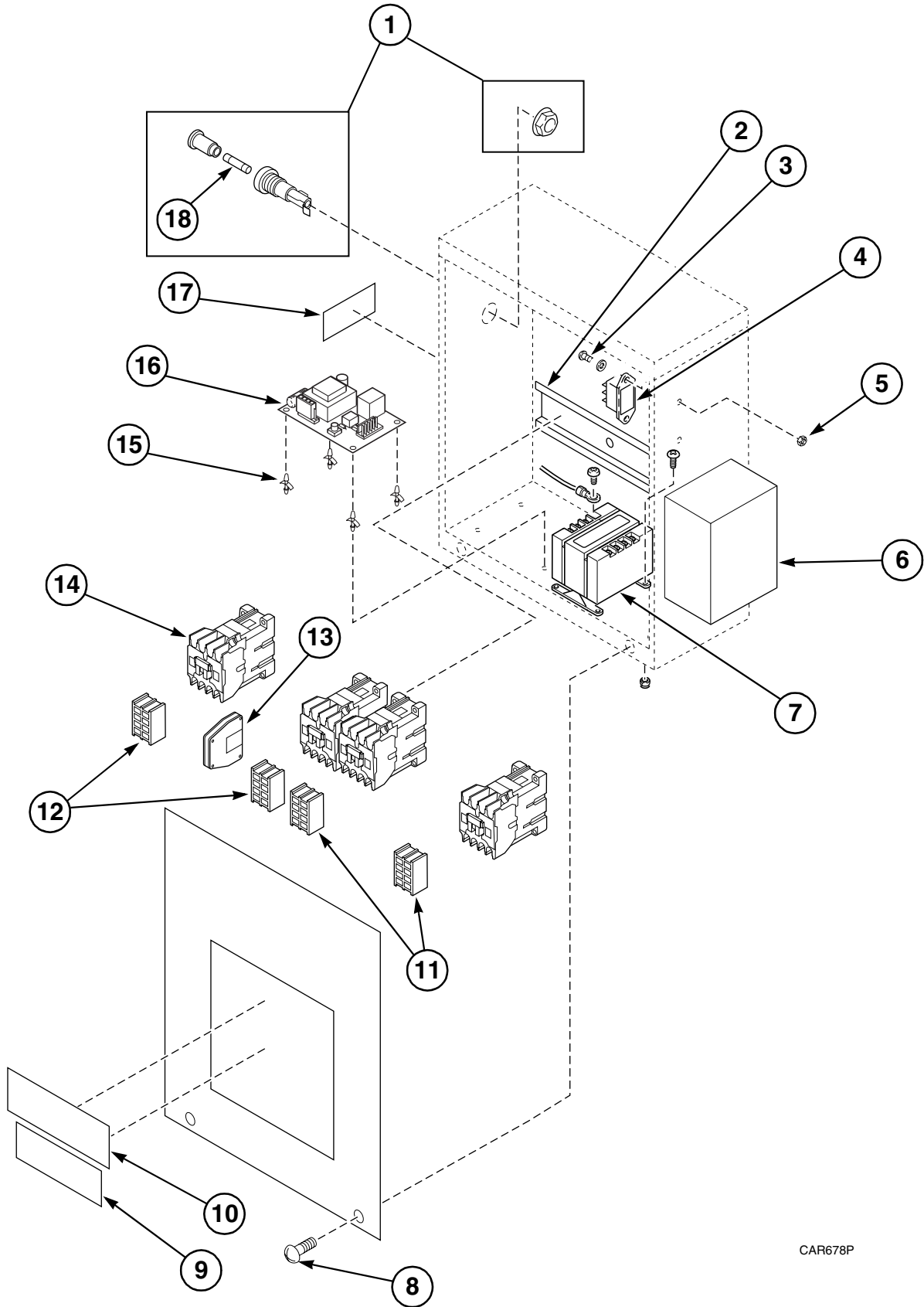
Control Panel Assembly

Standard Timer Controls and Combination Timer Option Controls

REF	PART #	DESCRIPTION	COMMENTS
1	F730201	Timer Kit	120 Volt; Includes items 12 and 13; Standard
	F730202	Timer Kit	220 Volt; Includes items 12 and 13; Standard
	F330329	Timer	120 Volt; Standard
	F330330	Timer	220 Volt; Standard
	F777800	Timer Kit	120 Volt; Combination; Includes items 12 and 13
	F330337	Timer	120 Volt; Combination
2	F340720	Switch Mounting Base	
3	F340444	Switch	
4	F330337	Timer	
5	F730201	Timer Kit	120 Volt; Includes items 7 and 8; Standard; UM202 only
	F730202	Timer Kit	220 Volt; Includes items 7 and 8; Standard; UM202 only
	F330329	Timer	120 Volt; Standard; UM202 only
	F330330	Timer	220 Volt; Standard; UM202 only
	F777800	Timer Kit	120 Volt; Combination; Includes items 7 and 8; Standard; UM202 only
	F330337	Timer	120 Volt; Standard; UM202 only
6	F231051	Decal	Wash dial; Right; UM202 only
7	F430998	Screw	UM202 only
8	F330506	Timer Knob	UM202 only
9	F432213	Rivnut	Lid unlock enable; UM202 only
10	F231442	Decal	Caution; UM202 only
11	F230731	Decal	Rinse
12	F430998	Screw	
13	F330506	Timer Knob	
14	F432213	Rivnut	
15	F231053	Decal	Extract
16	F230730	Decal	
17	F340709	Pushbutton	Black; Used before 4/99
	F340712	Pushbutton	Black; Used after 4/99
18	F350412	Light	Red
19	F231442	Decal	Caution
20	F231050	Decal	Wash dial; Left

Contactor Box Assembly

AB Contactors



CAR678P

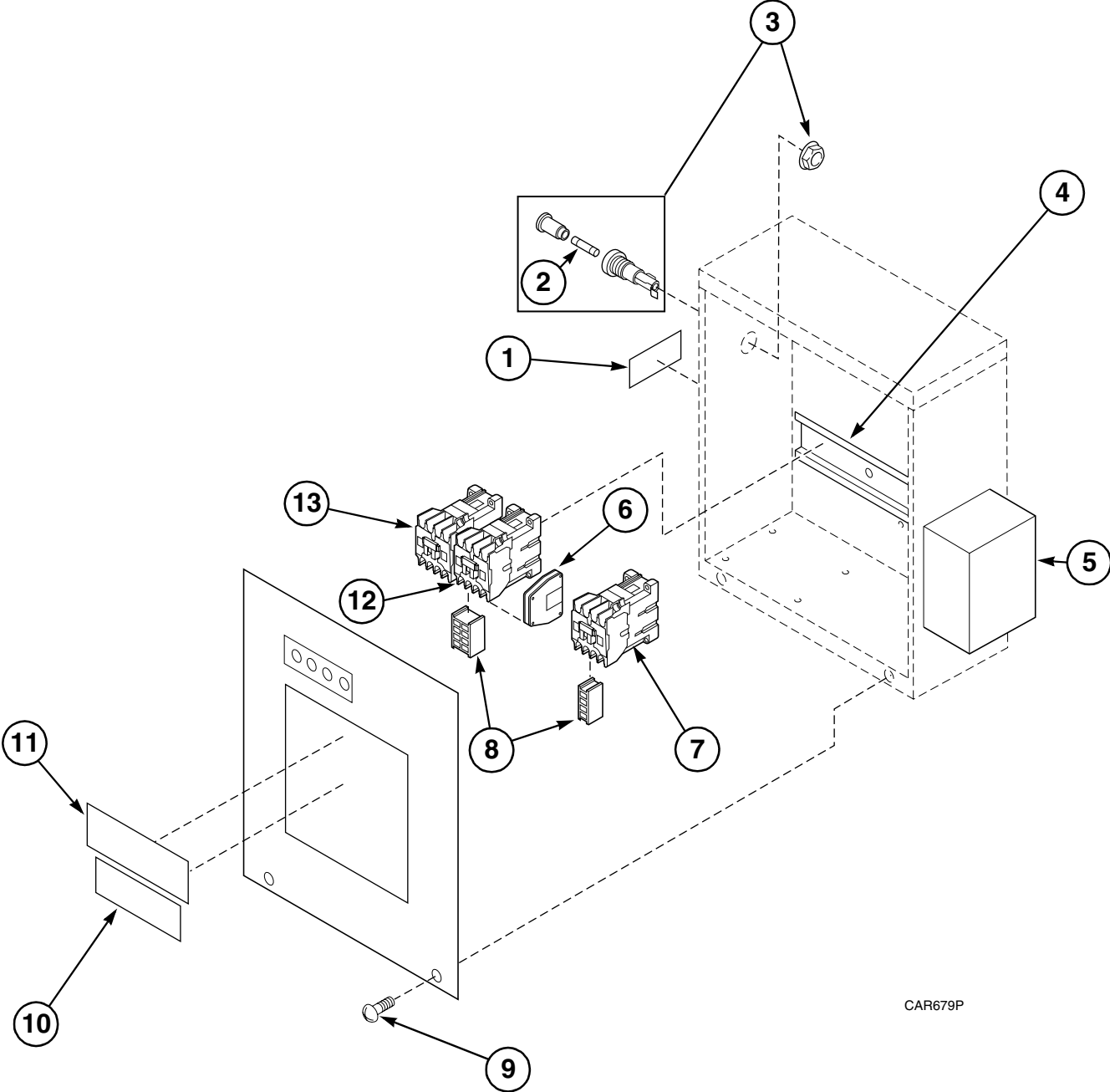
Contactor Box Assembly

AB Contactors

REF	PART #	DESCRIPTION	COMMENTS
	F602684	Electrical Box	UM100; 120 Volt
	F602684-1	Electrical Box	UM100; 220 Volt
	F602684-2	Electrical Box	UM100; For Combo Timer
	F604259	Electrical Box	UM202; 120 Volt
	F604259-1	Electrical Box	UM202; 220 Volt
	F604259-2	Electrical Box	UM202; 120 Volt; For Combo Timer
	F604259-3	Electrical Box	UM202; 220 Volt; For Combo Timer
	F743800	Contactor Kit	120 Volt; Square D to AB contactors
	F743801	Contactor Kit	220 Volt; Square D to AB contactors
1	F350304	Fuseholder	
2	F610078	Mounting Rail	
3	F430928	Screw	
4	F330227	Relay	120 Volt
	F330230	Relay	220 Volt
5	F430231	Nut	
6	F140400	Junction Box	
7	F360124	Transformer	O or F voltage; Not used on all models
	F360117	Transformer	C or D voltage; Not used on all models
8	F430904	Screw	
9	F230301	Decal	This machine must be protected...
10	F230300	Decal	Motors equipped with auto...
11	F330185	Auxilliary Contactor	Carwash models only
12	F330185	Auxilliary Contactor	
13	F330186P	Interlock Contactor	
14	F330175P	Contactor	120 Volt
	F330177P	Contactor	220 Volt
15	F180501	Standoff	
16	F0370453-00	Rotation Direction Detector	Used after 6/01
17	F230610	Decal	Fuse
18	F350104	Fuse	

Contactor Box Assembly

Benedict and Jaeger Contactors



CAR679P

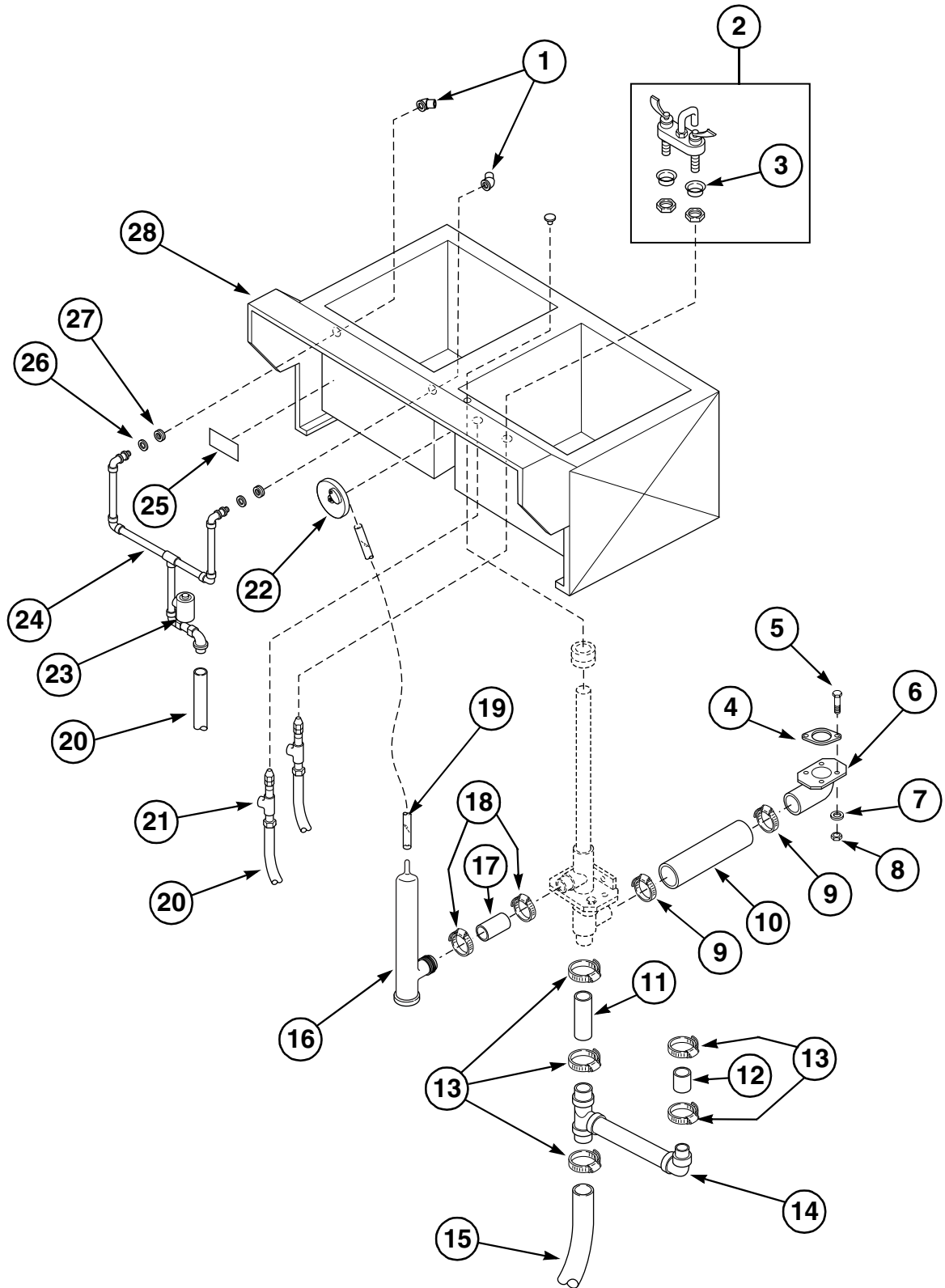
Contactor Box Assembly

Benedict and Jaeger Contactors

REF	PART #	DESCRIPTION	COMMENTS
1	F230610	Decal	Fuse
2	F350104	Fuse	
3	F350304	Fuseholder	
4	F610083	Contactor Mounting Rail	
5	F140400	Junction Box	
6	F330111	Mechanical Interlock	
7	F330137	Auxiliary Block Contactor	
8	F330136	Auxiliary Block	
9	F430904	Screw	
10	F230301	Decal	This machine must be protected...
11	F230300	Decal	Motor equipped with auto...
12	F330109	Relay	120 Volt
	F330127	Relay	220 Volt
13	F330110	Contactor	120 Volt
	F330114	Contactor	220 Volt

Drain, Spray-Rinse and Fill Assembly

UM100



CAR987P

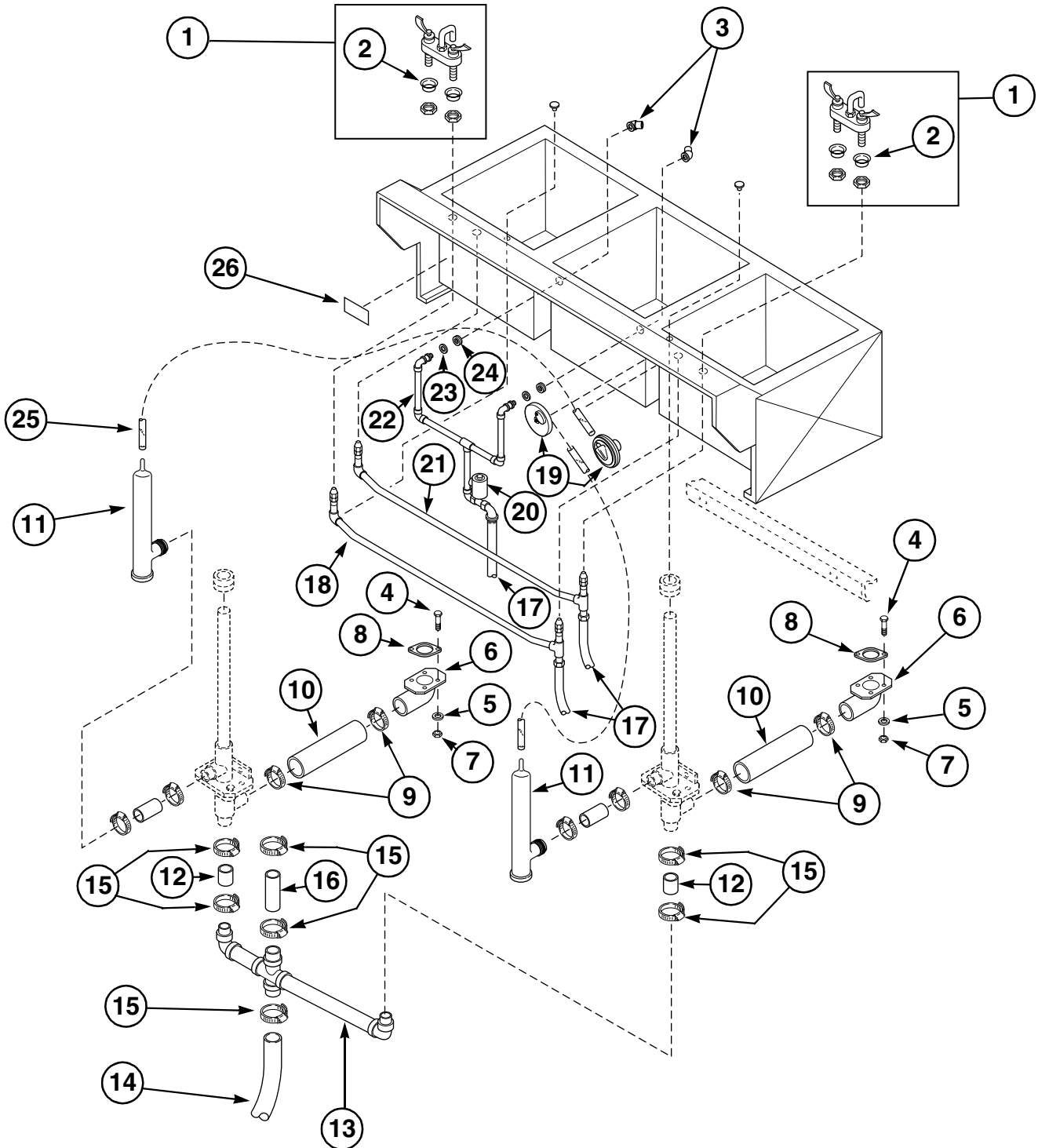
Drain, Spray-Rinse and Fill Assembly

UM100

REF	PART #	DESCRIPTION	COMMENTS
1	F422310	Elbow	
2	F190703	Faucet Assembly	
3	F432292	Spacer	
4	F170501	Gasket	
5	F430906	Screw	
6	F150302	Drain Elbow	
7	F431112	Washer	
8	F430204	Nut	
9	F200215	Clamp	#28
10	F610071	Hose	
11	F608623-2	Hose	
12	F610072	Hose	
13	F200213	Clamp	#40
14	F601457	Drain Manifold	
15	F200114	Drain Hose	Order 3 feet
16	F180517	Air Trap	
17	F200104	Hose	
18	F200230	Clamp	#16
19	F422404	Tubing	Order 3 feet
20	F200164	Water Hose	Standard thread
	F200166	Water Hose	Metric thread
21	F604439	Hot/Cold Manifold	Standard thread
	F604439-1	Hot/Cold Manifold	Metric thread
22	35889	Pressure Switch	
23	F381702P	Valve	120 Volt
	F380986	Coil	120 Volt
	F381703P	Valve	220 Volt
	F380987	Coil	220 Volt
24	F602675	Rinse Plumbing Assembly	120 Volt; Standard thread; Includes item 23
	F602675-1	Rinse Plumbing Assembly	120 Volt; Metric thread; Includes item 23
	F603314	Rinse Plumbing Assembly	220 Volt; Standard thread; Includes item 23
	F603314-1	Rinse Plumbing Assembly	220 Volt; Metric thread; Includes item 23
25		Decal	Serial; Contact factory with model and serial number
26	F431502	Washer	
27	F170603	Grommet	
28	F602493	Tub Assembly	Standard
	F602493-1	Tub Assembly	Car wash option models

Drain, Spray-Rinse and Fill Assembly

UM202



CAR988P

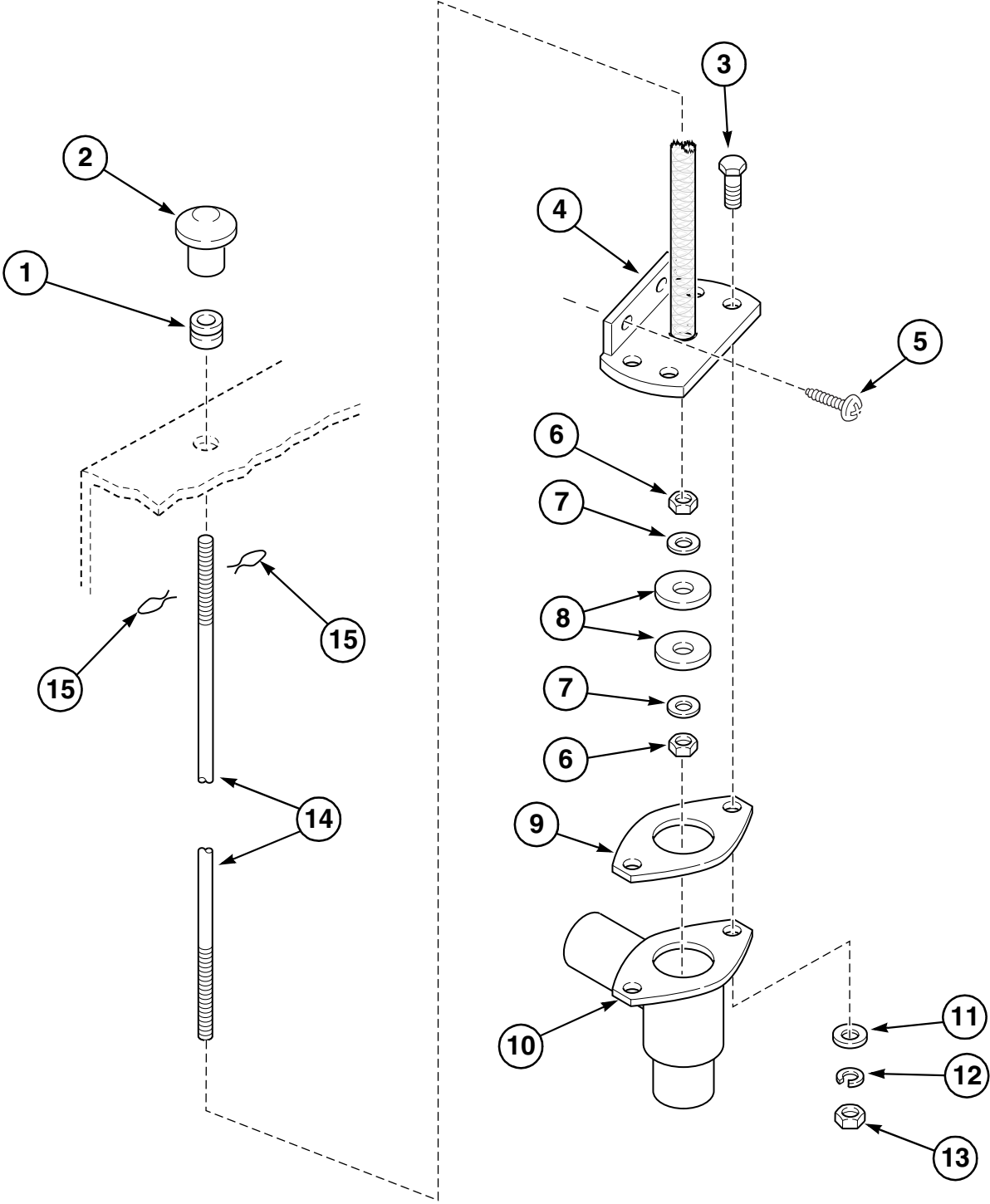
Drain, Spray–Rinse and Fill Assembly

UM202

REF	PART #	DESCRIPTION	COMMENTS
1	F190703	Faucet Assembly	
2	F190921	Faucet Hardware	
3	F422310	Elbow	
4	F430906	Screw	
5	F431112	Washer	
6	F150302	Drain Elbow	
7	F430204	Nut	
8	F170501	Gasket	
9	F200215	Clamp	#28
10	F610071	Hose	
11	F180517	Air Trap	
12	F610072	Hose	
13	F601504	Drain Valve Manifold	
14	F200114	Hose	Order 3 feet
15	F200213	Clamp	#40
16	F200105	Hose	Order 1 foot
17	F200164	Water Hose	Standard thread
	F200166	Water Hose	Metric thread
18	F602487	Plumbing Manifold	Cold
19	35889	Pressure Switch	
20	F381702P	Valve	120 Volt
	F380986	Coil	120 Volt
	F381703P	Valve	220 Volt
	F380987	Coil	220 Volt
21	F602490	Plumbing Manifold	Hot
22	F602675	Rinse Assembly	120 Volt; Standard; Includes item 20
	F603314	Rinse Assembly	220 Volt; Standard; Includes item 20
	F602675-1	Rinse Assembly	120 Volt; Metric; Includes item 20
	F603314-1	Rinse Assembly	220 Volt; Metric; Includes item 20
23	F431502	Washer	
24	F170603	Grommet	
25	F422404	Tubing	Order 3 feet
26		Decal	Serial; Contact factory with model and serial number

Drain Valve Assembly

Used Before 1998



CAR1027P

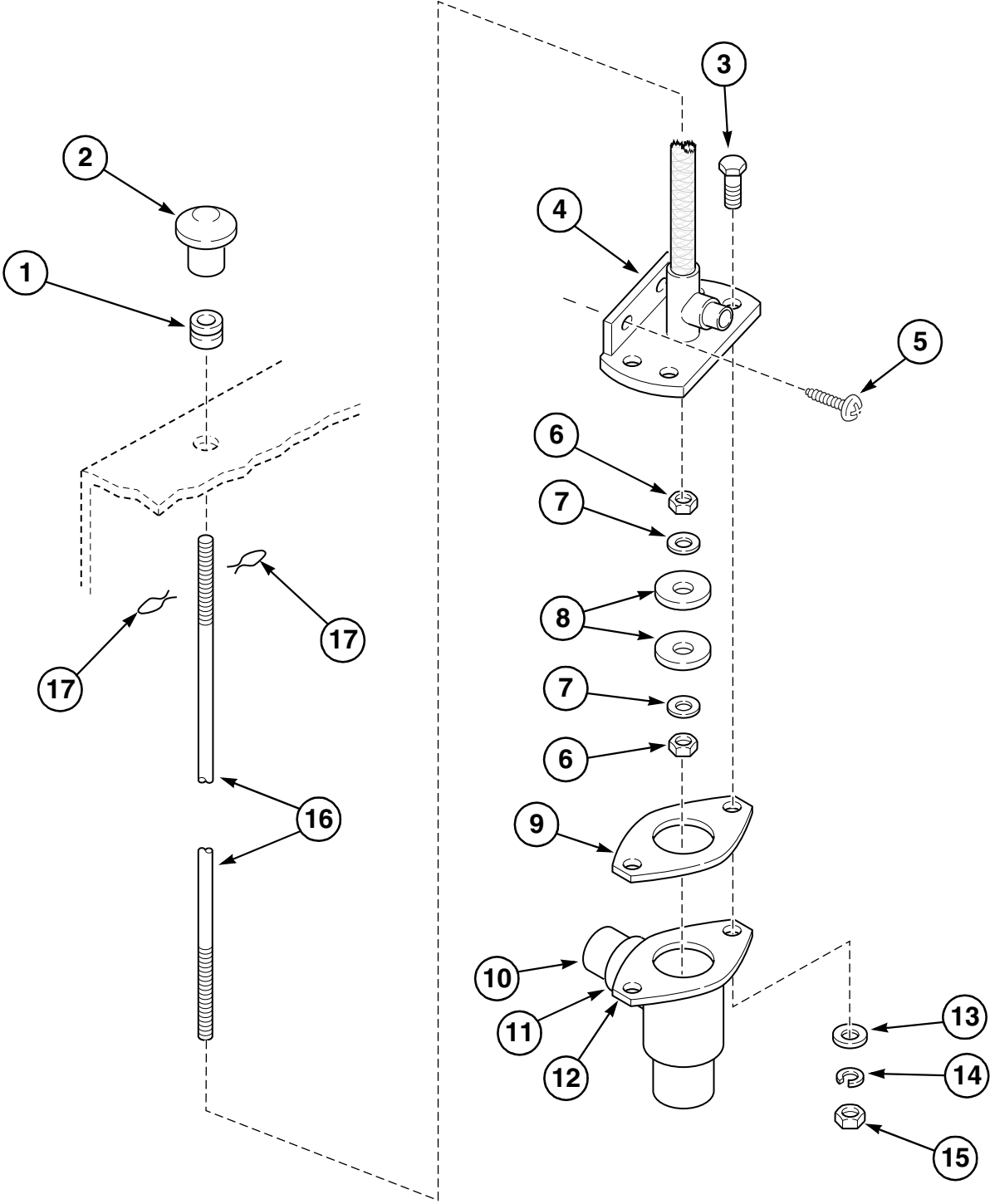
Drain Valve Assembly

Used Before 1998

REF	PART #	DESCRIPTION	COMMENTS
	F730004	Drain Valve Kit	Includes items 1-6 and 8-15
1	F170605	Grommet	
2	F190101	Push/Pull Knob	
3	F430107	Screw	
4	F602396	Drain Valve Flange Assembly	
5	F430115	Screw	
6	F431402	Nut	
7	F431500	Washer	
8	F170107	Drain Valve Disc	
9	F170500	Drain Valve Gasket	
10	F150301	Drain Valve	
11	F430317	Washer	
12	F430322	Lockwasher	
13	F430211	Nut	
14	F601388	Drain Valve Rod	
15	F431605	Cotter Pin	

Drain Valve Assembly

Used After 1998



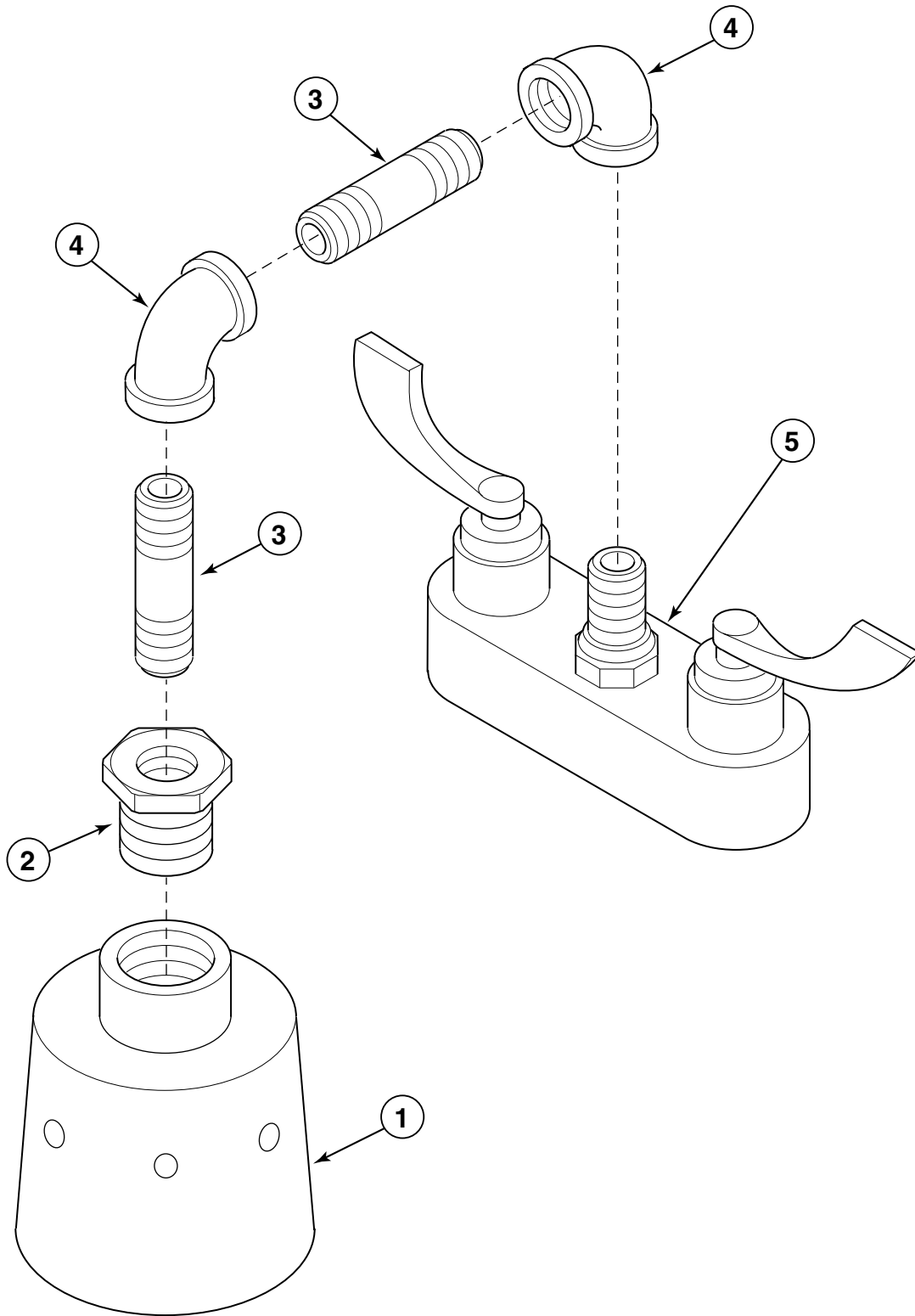
CAR1519P

Drain Valve Assembly

Used After 1998

REF	PART #	DESCRIPTION	COMMENTS
1	F170605	Grommet	
2	F190101	Push/Pull Knob	
3	F430107	Screw	
4	F634543	Drain Valve Flange Assembly	
5	F430115	Screw	
6	F431402	Nut	
7	F431500	Washer	
8	F170107	Drain Valve Disc	
9	F170500	Drain Valve Gasket	2 required
10	F634569-2	Pipe	
11	F422818	Tee	
12	F150301	Drain Valve	
13	F430317	Washer	
14	F430322	Lockwasher	
15	F430211	Nut	
16	F601388	Drain Valve Rod	
17	F431605	Cotter Pin	

Float Valve Assembly

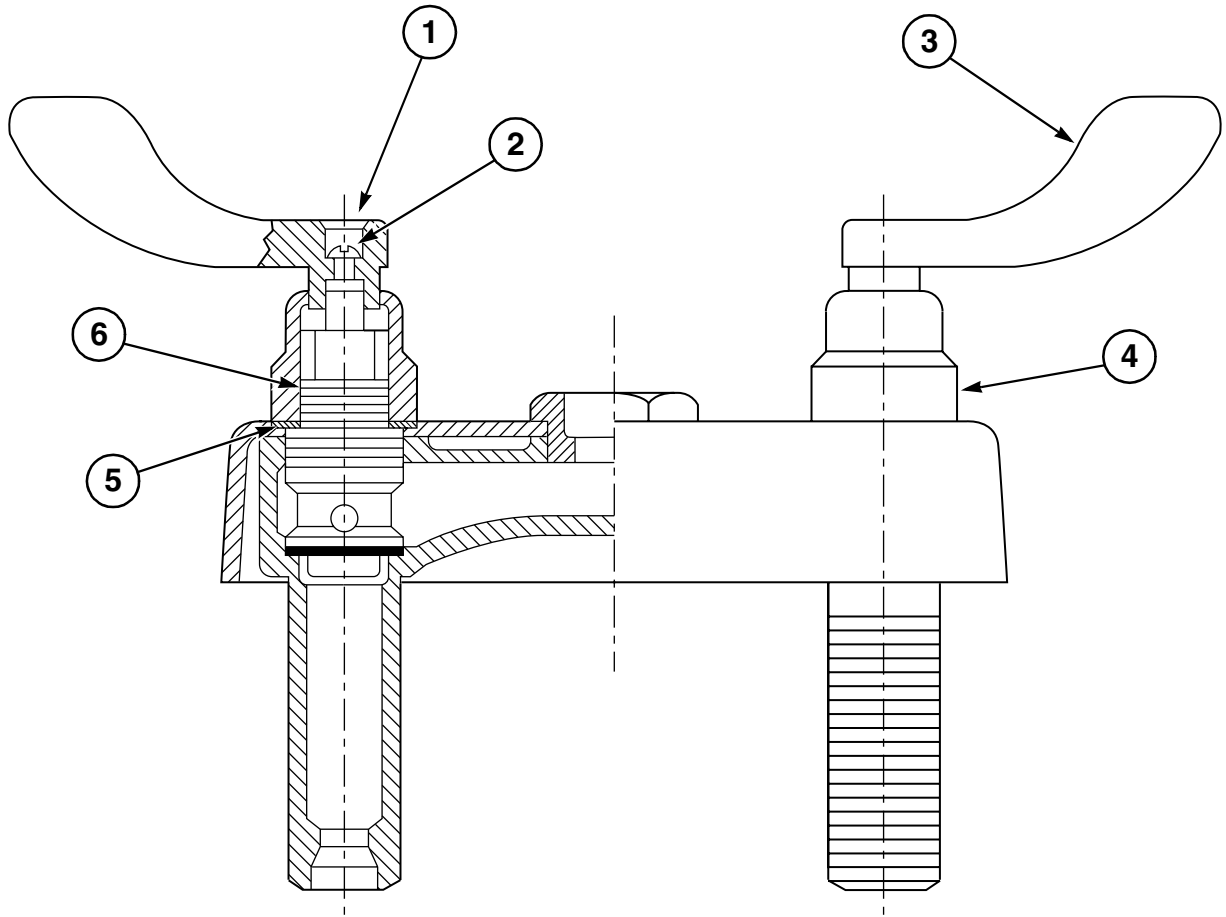


U082PE3A

Float Valve Assembly

REF	PART #	DESCRIPTION	COMMENTS
	F730357	Faucet Kit	Includes items 1, 2, 3, 4 and 5
1	F380401	Float Valve	
2	F422004	Bushing	
3	F421915	Nipple	
4	F422315	Elbow	
5	F190703	Faucet Assembly	

Faucet Assembly

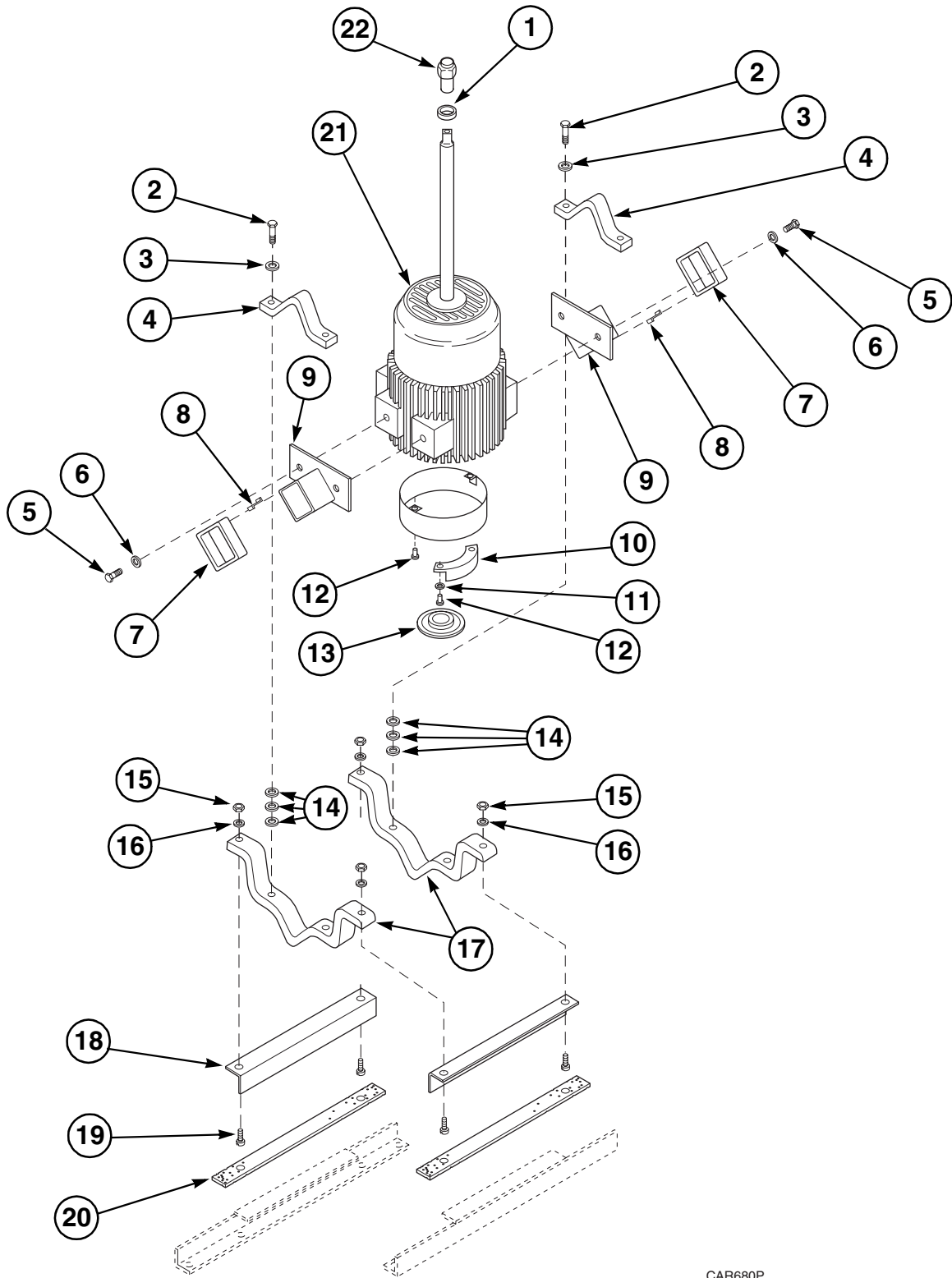


U091P

Faucet Assembly

REF	PART #	DESCRIPTION	COMMENTS
1	F190915	Screw	
2	F190911	Faucet Button	Hot
	F190912	Faucet Button	Cold
3	F190916	Faucet Handle	
4	F190920	Nut	
5	F190913P	Faucet Trim Kit	
6	F190903	Trim Unit	Right-hand; Cold
	F190904	Trim Unit	Left-hand; Hot

Motor Assembly



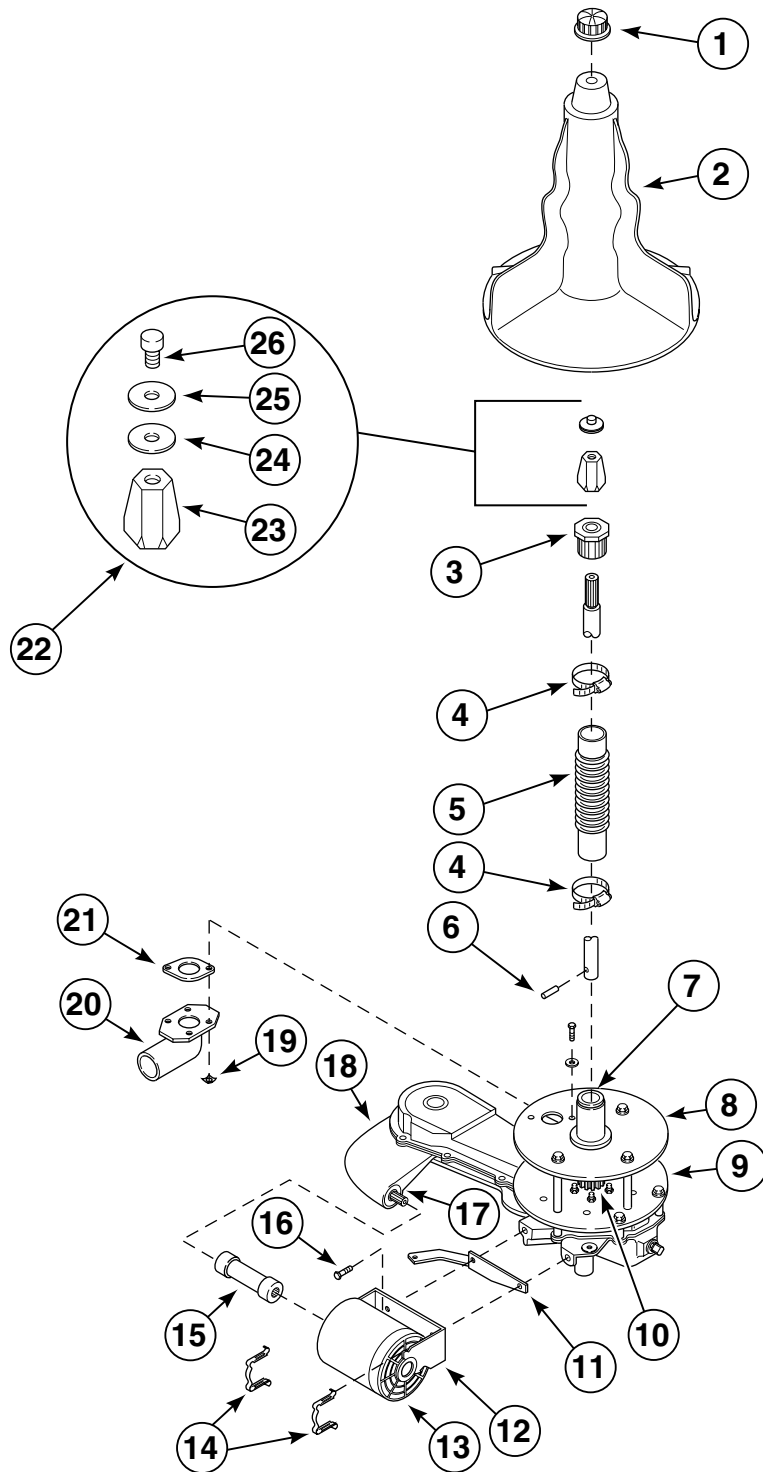
CAR680P

Motor Assembly

REF	PART #	DESCRIPTION	COMMENTS
1	F100206	Flinger	
2	F430104	Screw	
3	F430321	Lockwasher	
4	F601387	Trunnion Cap	
5	F430100	Screw	
6	F430314	Lockwasher	
7	F170100	Trunnion Rubber	
8	F601167	Z-Clip	
9	F601050	Motor Support Ear	
10	F370545	Proximity Sensor	Used until 6/18/01
11	F430312	Washer	Used until 6/18/01
12	F430920	Screw	Used until 6/18/01
13	F370547	Proximity Wheel	Used until 6/18/01
14	F430301	Washer	
15	F430211	Nut	
16	F430322	Lockwasher	
17	F601375	Trunnion Frame	
18	F601182	Trunnion Frame Angle	
19	F430112	Screw	
20	F170111	Rubber Sponge	
21	F730112-1	Extractor Motor Kit	With mechanical clutch
	F730112-2	Extractor Motor Kit	With rotation direction detector; Used until 6/18/01
	F798842	Extractor Motor Kit	With rotation direction detector; Used after 6/18/01
22	F601496	Basketball	

Transmission and Agitator Assembly

Used From 1985 Until 1995



U092PE3C

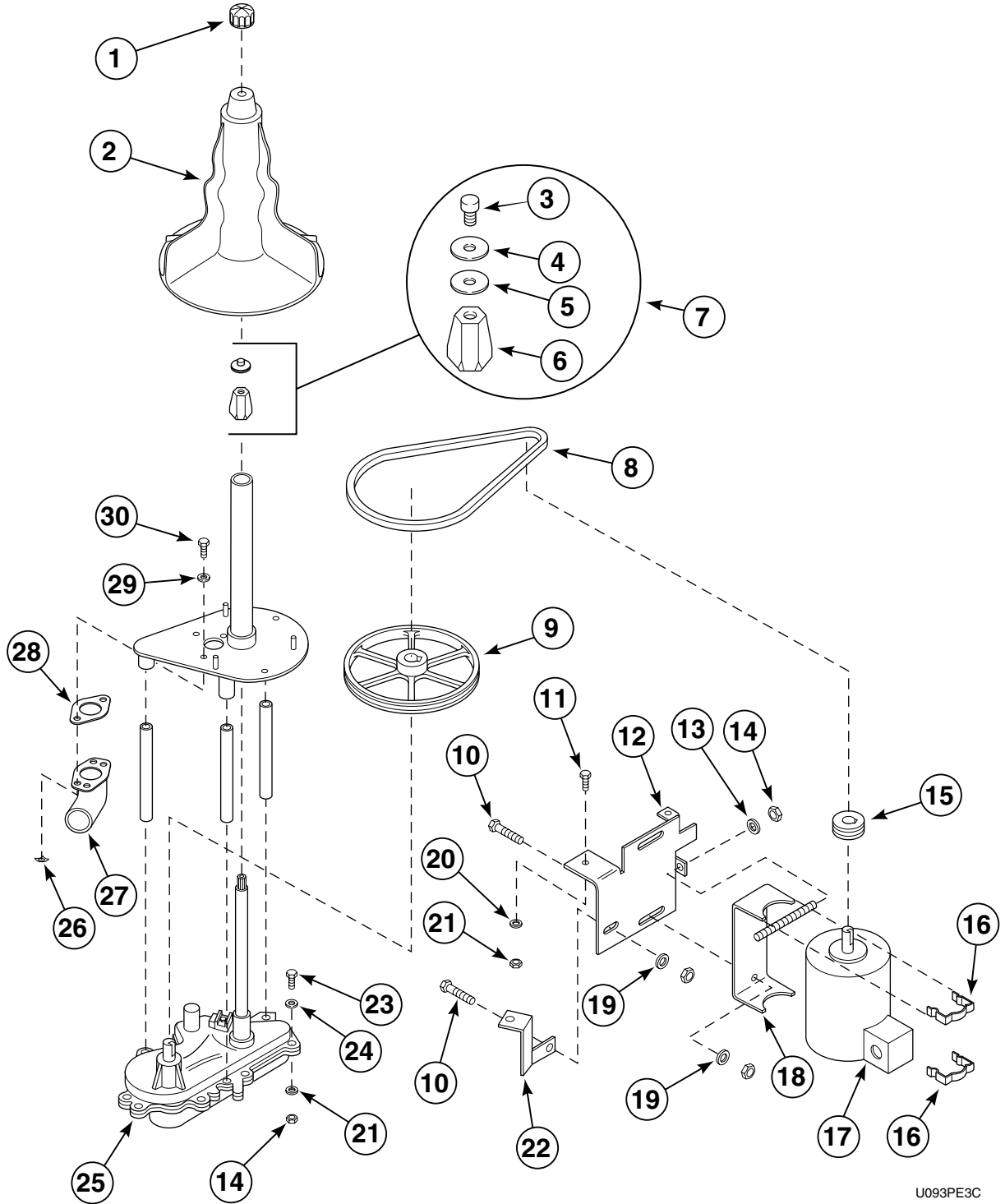
Transmission and Agitator Assembly

Used From 1985 Until 1995

REF	PART #	DESCRIPTION	COMMENTS
	F798881	Transmission Retrofit Kit	
1	F180301	Agitator Cap	
2	F180300	Agitator	
3	F602508	Top Bearing Assembly	
4	90554	Clamp	#24
5	F200124	Hose	
6	F180477	Pin	
7	F100121	Bushing	
8	F603452	Centerplate and Post Assembly	
9	F604863	Plate	
10	F180481	Standoff	
11	F604864	Bracket	
12	F180404	Transmission Motor Base	
13	F220100	Motor	120 Volt
	F730112-1	Motor Kit	208-240 Volt, 60 Hertz; Air force option; TEFC 3 phase
	F220106	Motor	208-240 Volt, 50-60 Hertz; 3 phase
14	F180435	Transmission Motor Clamp	
15	F180432	Transmission Hose Coupling	
16	F430127	Screw	
17	F180418	Shaft Seal	
18	F180469	Gear Case Gasket	
19	F430204	Nut	
20	F150302	Drain Elbow	
21	F170501	Gasket	
22	F730411	Agitator Installtion Kit	
23	F180302	Drive-Agitator Block	
24	F180443	Seal	
25	F180463	Washer	
26	F180405	Stud	

Transmission and Agitator Assembly

Used From 1995 Until 5/98



U093PE3C

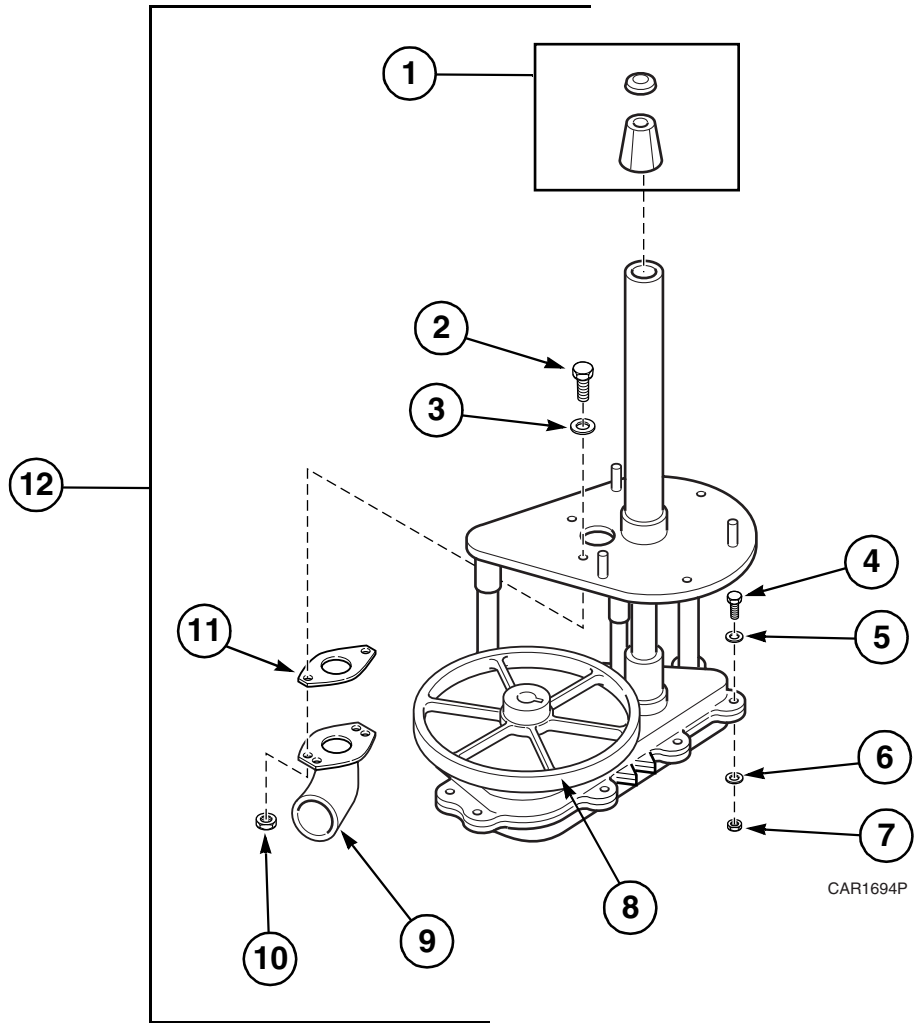
Transmission and Agitator Assembly

Used From 1995 Until 5/98

REF	PART #	DESCRIPTION	COMMENTS
1	F180301	Agitator Cap	
2	F180300	Agitator	
3	F180405	Stud	
4	F180463	Washer	
5	F180443	Seal	
6	F180302	Drive Agitator Block	
7	F730411	Agitator Installation Kit	
8	F280405	Belt	
9	F280268	Pulley	
10	F430116	Screw	
11	F430144	Screw	
12	F609838	Transmission Plate	
13	F430305	Lockwasher	
14	F430205	Nut	
15	F280272	Pulley	
16	F180435	Transmission Motor Clamp	
17	F220106	Motor	208-220 Volt, 50/60 Hertz; 3 Phase
18	F630460	Motor/Bolt Weldment	
19	F430321	Lockwasher	
20	F430305	Lockwasher	
21	F430212	Nut	
22	F609837	Transmission Support Bracket	
23	F430993	Screw	
24	F430301	Washer	
25		Transmission	Transmission must be replaced by retrofit kit F798881
26	F430204	Nut	
27	F150302	Drain Elbow	
28	F170501	Gasket	
29	F431112	Washer	
30	F430935	Screw	

Transmission Retrofit Kit Assembly

Used Until 5/98



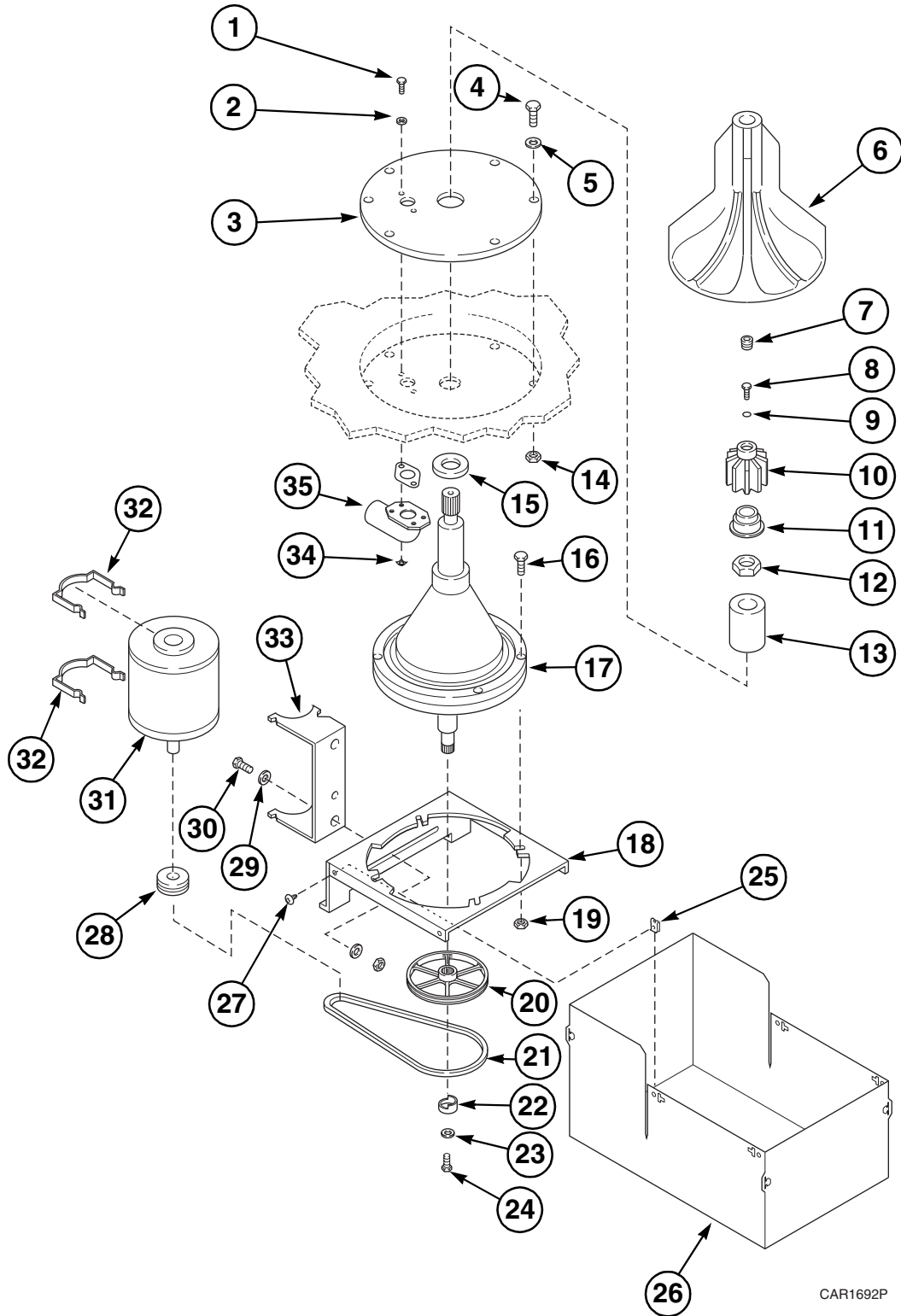
Transmission Retrofit Kit Assembly

Used Until 5/98

REF	PART #	DESCRIPTION	COMMENTS
1	F730411	Agitator Installation Kit	
2	F430935	Screw	
3	F431112	Washer	
4	F430993	Screw	
5	F430301	Washer	
6	F430305	Lockwasher	
7	F430205	Nut	
8	F280268	Pulley	
9	F150302	Drain Elbow	
10	F430204	Nut	
11	F170501	Gasket	
12	F798881	Transmission Retrofit Kit	

Transmission and Agitator Assembly

Used Since 6/98



CAR1692P

Transmission and Agitator Assembly

Used Since 6/98

REF	PART #	DESCRIPTION	COMMENTS
	F634792	Transmission/Motor Assembly	
1	F430906	Screw	
2	F431112	Washer	
3	F634464	Transmission Adaptor Plate	
4	F430946	Screw	
5	F431116	Washer	
6	33513	Agitator	
7	36511	Plug	
8	39432	Screw	
9	36472	O-Ring	
10	39508P	Drive Bell and Seal Kit	Includes items 7, 8 and 11
11	36425	Seal	
12	29220	Nut	
13	F422522	Spacer	
14	F431004	Nut	
15	F422521	Spacer	
16	F430913	Screw	
17	38826P	Transmission	
18	F634583	Motor/Transmission Plate Weldment	
19	F430215	Nut	
20	38007	Pulley Assembly	
21	F280372	Belt	
22	38008	Helix	
23	26509	Washer	
24	27220	Screw	
25	F430264	Tinnerman Nut	
26	F0636451-00	Motor and Transmission Guard	
27	F430956	Screw	
28	F0280153-00	Motor Pulley	
29	F430317	Washer	
30	F430107	Screw	
31	F220106	Motor	Dual voltage
32	F180435	Clamp	
33	F180404	Transmission Motor Base	
34	F430204	Nut	
35	F150302	Elbow	

Parts Index

A

Agitator	
F180300	39, 41
33513	45
Agitator Cap	
F180301	39, 41
Agitator Installation Kit	
F730411	41, 43
Agitator Installtion Kit	
F730411	39
Air Trap	
F180517	25, 27
Auxiliary Block	
F330136	23
Auxiliary Block Contactor	
F330137	23
Auxilliary Contactor	
F330185	21

B

Back Panel	
F601138	7
F601139	5
Basketball	
F601496	5, 7, 37
Belt	
F280372	45
F280405	41
Bracket	
F604864	39
Bushing	
F100121	39
F422004	33

C

Cable Support Bracket	
F601067	15
F605388	11
Cap	
F190310	13
Centerplate and Post Assembly	
F603452	39
Clamp	
F180435	45
F200213	25, 27
F200215	25, 27
F200230	25
90554	39
Coil	
F380986	25, 27
F380987	25, 27
Contacto	
F330110	23
F330114	23
F330175P	21
F330177P	21

Contacto	
F743800	21
F743801	21
Contacto Mounting Rail	
F610083	23
Cotter Pin	
F430401	15
F431202	9
F431216	11
F431605	29, 31

D

Decal	
F230300	21, 23
F230301	21, 23
F230607	9
F230610	21, 23
F230730	17, 19
F230731	17, 19
F230732	17
F230733	17
F230757	9
F230806	7
F231050	19
F231053	17, 19
F231442	5, 7, 17, 19
Drain Elbow	
F150302	25, 27, 39, 41, 43
Drain Hose	
F200114	25
Drain Manifold	
F601457	25
Drain Valve	
F150301	29, 31
Drain Valve Disc	
F170107	29, 31
Drain Valve Flange Assembly	
F602396	29
F634543	31
Drain Valve Gasket	
F170500	29, 31
Drain Valve Kit	
F730004	29
Drain Valve Manifold	
F601504	27
Drain Valve Rod	
F601388	29, 31
Drive Agitator Block	
F180302	41
Drive Bell and Seal Kit	
F180516	45
Drive-Agitator Block	
F180302	39

E

Elbow	
F150302	45
F422310	25, 27
F422315	33

Electrical Box	
F602684	21
F602684-1	21
F602684-2	21
F604259	21
F604259-1	21
F604259-2	21
F604259-3	21
End Wrap	
F602496	5, 7
Extractor Basket Assembly	
F602568	5, 7
Extractor Lid	
F170410	9
Extractor Lid Kit	
F730020	9
F730371	9
Extractor Motor Kit	
F730112-1	37
F730112-2	37
F798842	37

F

Faucet Assembly	
F190703	25, 27, 33
Faucet Button	
F190911	35
F190912	35
Faucet Handle	
F190916	35
Faucet Hardware	
F190921	27
Faucet Kit	
F730357	33
Faucet Trim Kit	
F190913P	35
Flinger	
F100206	37
Float Valve	
F380401	33
Frame Assembly	
F601259	7
F601260	5
Fuse	
F350104	21, 23
Fuseholder	
F350304	21, 23

G

Gasket	
F170501	25, 27, 39, 41, 43
Gear Case Gasket	
F180469	39
Grommet	
F170601	13, 15
F170603	25, 27
F170605	29, 31

H

Helix	
38008	45
Hose	
F200104	25
F200105	27
F200114	27
F200124	39
F608623-2	25
F610071	25, 27
F610072	25, 27
Hot/Cold Manifold	
F604439	25
F604439-1	25

I

Interlock Contactor	
F330186P	21

J

Junction Box	
F140400	21, 23
F140430	5, 7

L

Lid Handle Assembly	
F605868	9
Lid Hinge Assembly	
F603300	9
Lid Latch Block Assembly	
F602484	15
Lid Latch Kit	
F730027	15
Lid Lock and Cable Kit	
F730008	15
F730368	11
Lid Lock Assembly	
F605423	11
Lid Lock Cable	
F190800	11, 13, 15
Lid Lock Mounting Bracket	
F601184	15
Lid Lock Slide	
F602514	11
Lid Lock Slide Carrier	
F602513	11
Lid Lock Solenoid	
F300106	13, 15
F300107	13, 15
Lid Lock Spring	
F310105	13
F310128	11, 15
Lid Lock Spring Bracket	
F601958	9
Light	
F350412	17, 19

Locknut	
F430220	15
Lockwasher	
F430305	41, 43
F430314	37
F430321	37, 41
F430322	29, 31, 37
F431102	9
F431106	9, 13, 15
F431113	9

M

Mechanical Interlock	
F330111	23
Microswitch	
F340903	9
Motor	
F220100	39
F220106	39, 41, 45
Motor and Transmission Guard	
F0636451-00	45
Motor Kit	
F730112-1	39
Motor Pulley	
F0280153-00	45
Motor Rail	
F601486	5, 7
Motor Support Ear	
F601050	37
Motor/Bolt Weldment	
F630460	41
Motor/Transmission Plate Weldment	
F634583	45
Mounting Bracket Assembly	
F602483	13, 15
Mounting Rail	
F610083	21

N

Nipple	
F421915	33
Nut	
F190920	35
F430204	25, 27, 39, 41, 43, 45
F430205	41, 43
F430211	29, 31, 37
F430212	41
F430215	45
F430218	5, 7
F430231	21
F431000	9, 13, 15
F431004	45
F431005	9
F431017	11, 13, 15
F431022	9
F431028	9
F431105	13
F431402	29, 31
29220	45

O

O-Ring	
36472	45

P

Pin	
F180477	39
Pipe	
F634569-2	31
Plate	
F604863	39
Plug	
36511	45
Plumbing Manifold	
F602487	27
F602490	27
Post and Screw Kit	
F730087	9
Pressure Switch	
35889	25, 27
Proximity Sensor	
F370545	37
Proximity Wheel	
F370547	37
Pulley	
F280268	41, 43
F280272	41
Pulley Assembly	
38007	45
Pushbutton	
F340707	17
F340708	17
F340709	17, 19
F340712	17, 19
F340713	17
F340719	17
Push/Pull Knob	
F190101	29, 31

R

Relay	
F330109	23
F330127	23
F330227	21
F330230	21
Rinse Assembly	
F602675	27
F602675-1	27
F603314	27
F603314-1	27
Rinse Plumbing Assembly	
F602675	25
F602675-1	25
F603314	25
F603314-1	25
Rivet	
F431210	11
F431603	15

Rivet Post	
F430147	9
Rivnut	
F432213	17, 19
Rotation Direction Detector	
F0370453-00	21
F370543	17
Rubber Sponge	
F170111	37

S

Saddle Hinge	
F150206	9
Saddle Pin	
F432308	9
Sandwich Mount	
F432200	15
Screw	
F190915	35
F430100	37
F430104	37
F430106	15
F430107	29, 31, 45
F430112	37
F430115	5, 7, 29, 31
F430116	5, 7, 41
F430127	39
F430144	41
F430903	9, 13
F430904	21, 23
F430906	9, 25, 27, 45
F430913	45
F430920	9, 13, 37
F430923	5, 7
F430928	21
F430935	41, 43
F430938	9
F430939	5, 7
F430946	45
F430956	45
F430986	9
F430993	41, 43
F430996	13
F430998	17, 19
F432291	11
27220	45
39432	45
Seal	
F180443	39, 41
36425	45
Shaft Seal	
F180418	39
Skirt Panel	
F601090	5
F601140	7
Spacer	
F422521	45
F422522	45
F432292	25
Spring	
F310122	9
Spring Bracket	
F601033	9
Standoff	
F180481	39

F180501	21
Stud	
F180405	39, 41
Switch	
F340444	17, 19
F340445	17
Switch Mounting Base	
F340720	17, 19

T

Tee	
F422818	31
Timer	
F330329	17, 19
F330330	17, 19
F330337	17, 19
Timer Kit	
F730201	17, 19
F730202	17, 19
F777800	17, 19
Timer Knob	
F190104	17
F330506	17, 19
Tinnerman Nut	
F430264	45
Top Bearing Assembly	
F602508	39
Transformer	
F360117	21
F360124	21
Transmission	
38826P	45
Transmission Adaptor Plate	
F634464	45
Transmission Hose Coupling	
F180432	39
Transmission Motor Base	
F180404	39, 45
Transmission Motor Clamp	
F180435	39, 41
Transmission Plate	
F609838	41
Transmission Retrofit Kit	
F798881	39, 43
Transmission Support Bracket	
F609837	41
Transmission/Motor Assembly	
F634792	45
Trim Unit	
F190903	35
F190904	35
Trunnion Cap	
F601387	37
Trunnion Frame	
F601375	37
Trunnion Frame Angle	
F601182	37
Trunnion Rubber	
F170100	37
Tub Assembly	
F602493	5, 25
F602493-1	5, 25

F602494	7
F602494-1	7
Tubing	
F422404	25, 27

V

Valve	
F381702P	25, 27
F381703P	25, 27

W

Washer	
F180463	39, 41
F430301	5, 7, 37, 41, 43
F430312	37
F430317	29, 31, 45
F431104	5, 7
F431112	5, 7, 25, 27, 41, 43, 45
F431116	45
F431500	29, 31
F431502	25, 27
26509	45
Water Hose	
F200164	25, 27
F200166	27

Z

Z-Clip	
F601167	37