

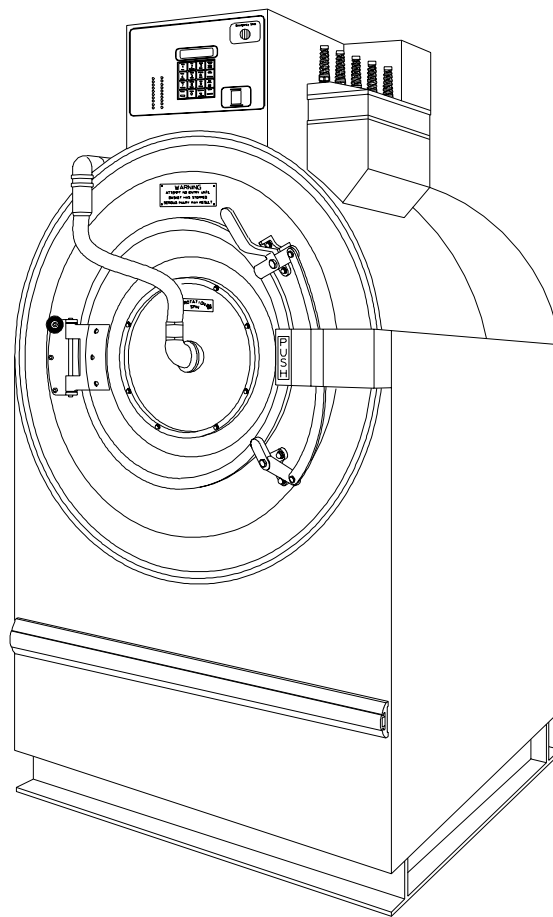
# Washer-Extractors

Pocket Hardmount

UW35\*

2 Speed and 3 Speed

\*This manual applies to models with either U1, U2, U3 or U4 in the 7<sup>th</sup> and 8<sup>th</sup> positions in the model number (e.g. UW35M2U10001)



Parts



# Table of Contents

Title	Page
Parts Ordering Information .....	2
Nameplate Location .....	2
Model Identification .....	3
Decals .....	4
Control Module .....	6
Control Module .....	8
Control Module .....	10
Control Module .....	12
Control Module .....	14
Control Module .....	16
Stainless Steel Supply Dispenser .....	18
Polypropylene Supply Dispenser .....	20
Spray and Fill Plumbing .....	22
Spray Plumbing .....	24
Fill Plumbing .....	26
Drain Valve and Hoses .....	28
Basket, Shell and Frame Assembly .....	30
Door and Spray Rinse .....	32
Dual Door Box .....	34
Single Door Box .....	36
Cabinet .....	38
Frame Assembly .....	40
Pulley and Trunion Assembly .....	42
Motor .....	44
Motor .....	46
Parts Index .....	49

© Copyright 2001, Alliance Laundry Systems LLC

All rights reserved. No part of the contents of this book may be reproduced or transmitted in any form or by any means without the expressed written consent of the publisher.

# Parts Ordering Information

Alliance Laundry Systems is not responsible for personal injury or property damage resulting from improper service. Review all service information before beginning repairs.

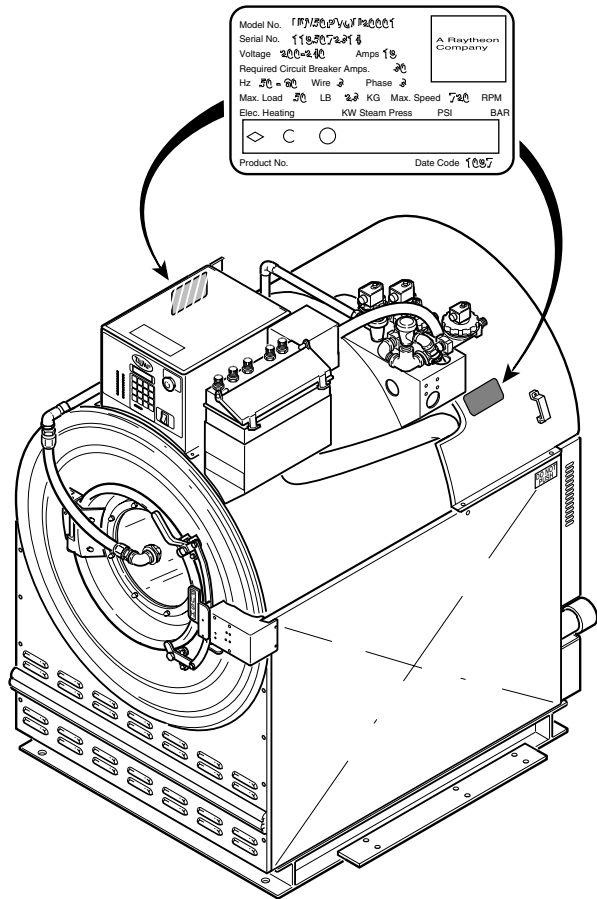
If literature or replacement parts are required, contact the source from whom the machine was purchased or contact Alliance Laundry Systems at (920) 748-3950 for the name of the nearest authorized parts distributor.

For technical assistance, call the following number:

(850) 718-1026  
Marianna, Florida

## Nameplate Location

When calling or writing about your product, be sure to mention model and serial numbers. Model and serial numbers are located on nameplate(s) as shown.



PHM593P

## Model Identification

Information in this manual is applicable to these washer-extractors:

UW35M2\*

UW35M3\*

UW35P2\*

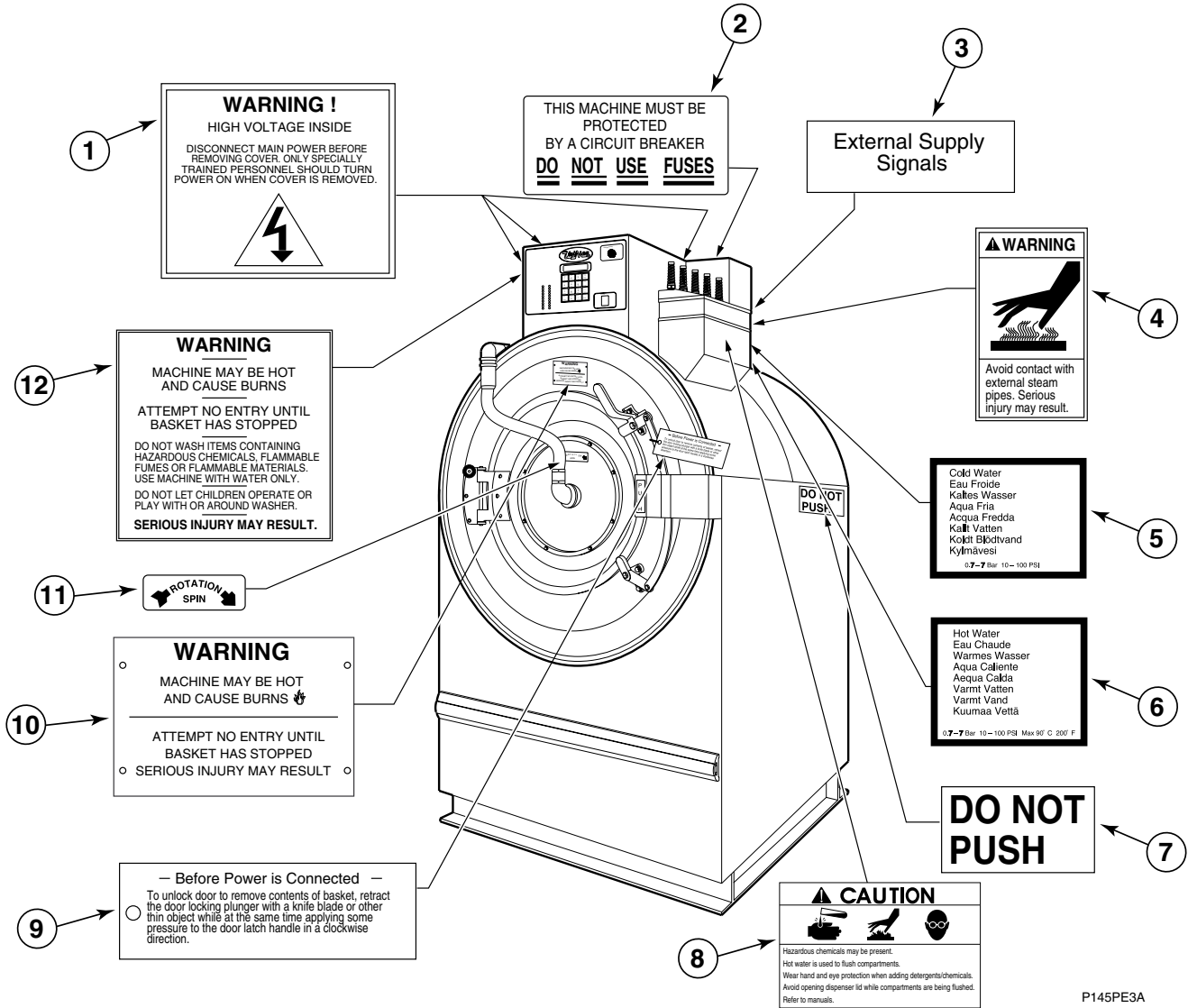
UW35P3\*

UW35S2\*

UW35S3\*

\*This manual applies to models with either U1, U2, U3 or U4 in the 7<sup>th</sup> and 8<sup>th</sup> positions in the model number (e.g. UW35M2U10001)

# Decals



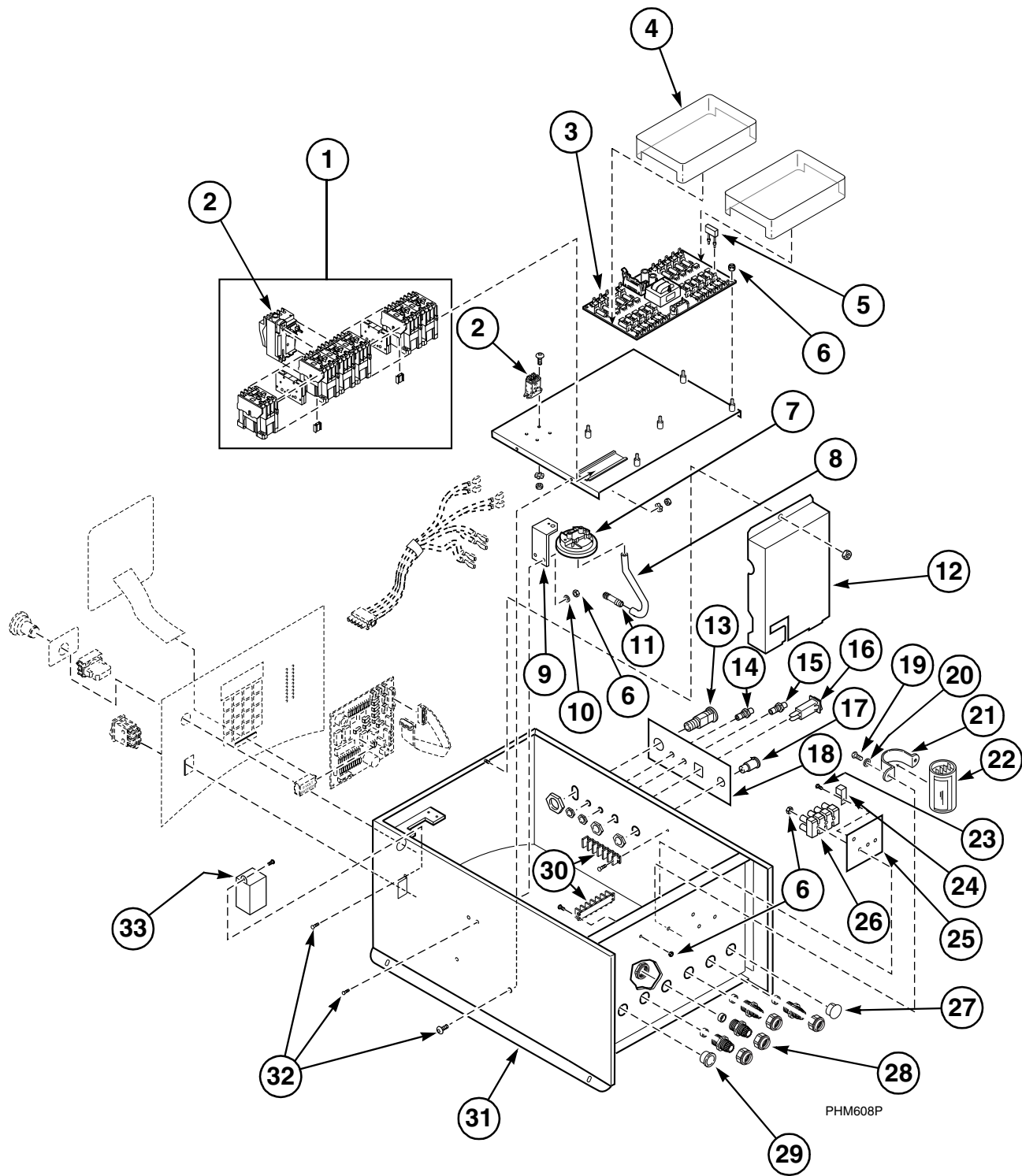
P145PE3A

# Decals

REF	PART #	DESCRIPTION	COMMENTS
1	F230206	Decal	
2	F230301	Decal	
3	F230917-1	Decal	
4	F231380	Decal	
5	F231368	Decal	
6	F231367	Decal	
7	F230302	Decal	
8	F231436	Decal	
9	F230501	Tag	
10	F230218	Plate	
11	F230652	Decal	
12	F231065	Decal	

# Control Module

UW35P Models





# Control Module

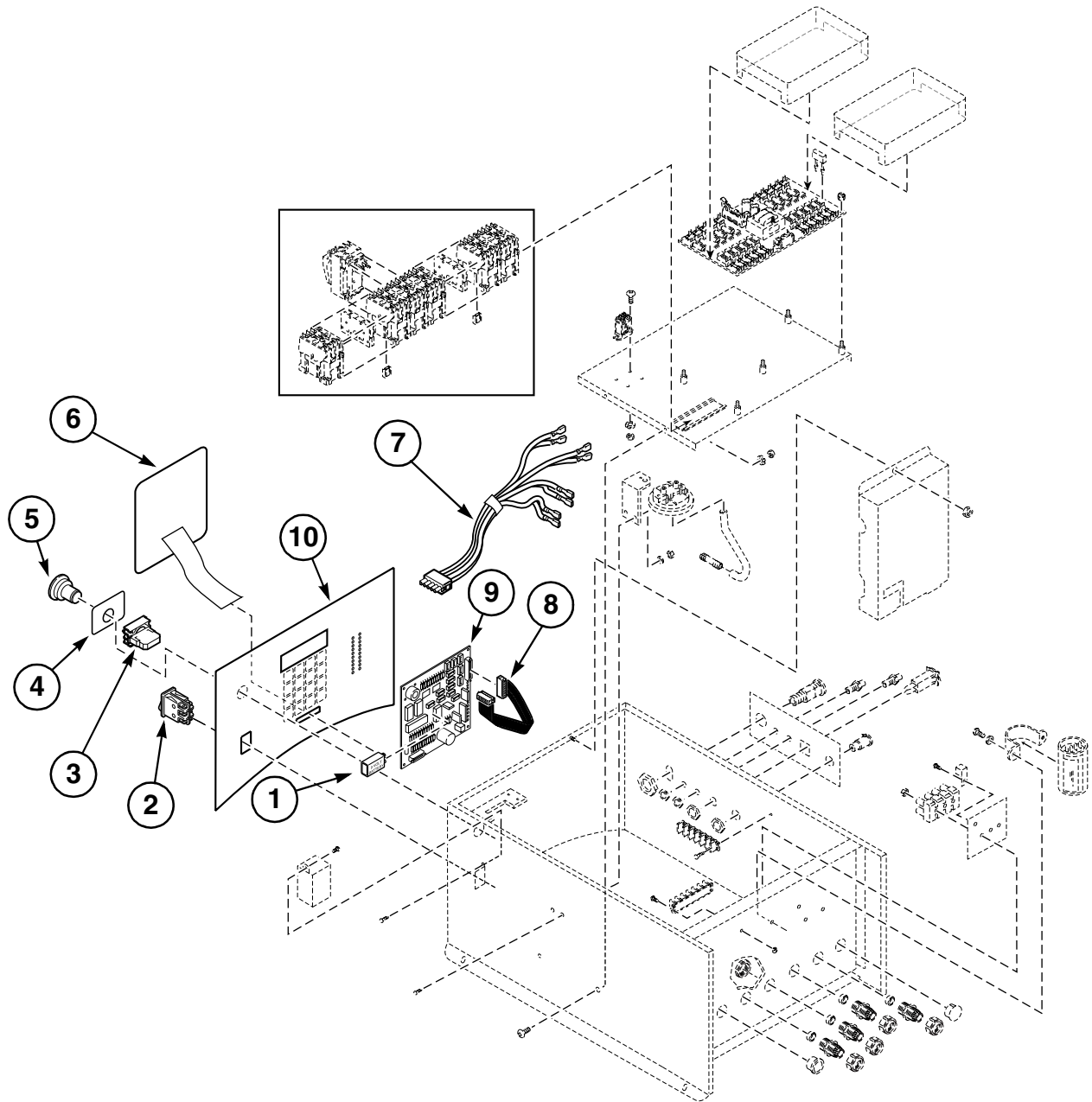
UW35P Models

REF	PART #	DESCRIPTION	COMMENTS
1	F330175	Contactora*	120 Volt; 3 used on P2 models, 5 used on P3 single motor models, 2 used on P3 dual motor models
	F330178	Contactora*	220 Volt
	F330179	Contactora*	120 Volt; 1 used on P2 models, 2 used on P3 single drop models
	F330186	Mechanical Interlock*	1 used on P2 models, 2 used on P3 models
2	F330227	Relay	120 Volt
	F330230	Relay	220 Volt
	F330403	Overload Contactor	Single phase models only
3	F370444P	Output CCA	
4	F140421	Cover	Output board
5	F330217	RC Network Filter	
6	F431022	Nut	
7	F340328	Pressure Switch	
8	F422404	PVC Tubing	Order 3 feet
9	F630242	Switch Mounting Bracket	
10	F431113	Lockwasher	
11	F422500	Connector	
12	F606826	Cover	Computer
13	F730186	Double Pole Key Switch Kit	Includes cable, connector and attaching hardware
	F370709	Program Key	
14	F140575	Feed-thru Connector	Gray
15	F140576	Feed-thru Connector	Blue
16	F350210	Circuit Breaker	2 Amp
17	F350412	Light	Red; 120 VAC
	F350414	Light	Red; 220 VAC
18	F231560	Decal	WE-6 programmable microcomputer
19	F430916	Screw	
20	F430311	Washer	
21	F340704	Bracket	
22	F340001	Switch	Use with single phase models only; Use with Century motors only
	F340002	Switch	Use with single phase models only; Use with Elmo motors only
23	F430903	Screw	
24	F140734	Ground Terminal Lug	
25	F230677	Decal	Input Power Connector
26	F140746	Input Power Block	
27	F140527	Plug	
28	F140309	Connector	
29	F140909	Bushing	
30	F140738	Terminal Strip	
31	FUW35P2-MDL	Module Subassembly	
32	F430928	Screw	
33	F300203	Buzzer	120 Volt
	F300202	Buzzer	220 Volt

**\*NOTE: Old style contactors with interlocks require replacement of both contactors and interlock if one contactor fails.**

# Control Module

UW35P Models



PHM1373P

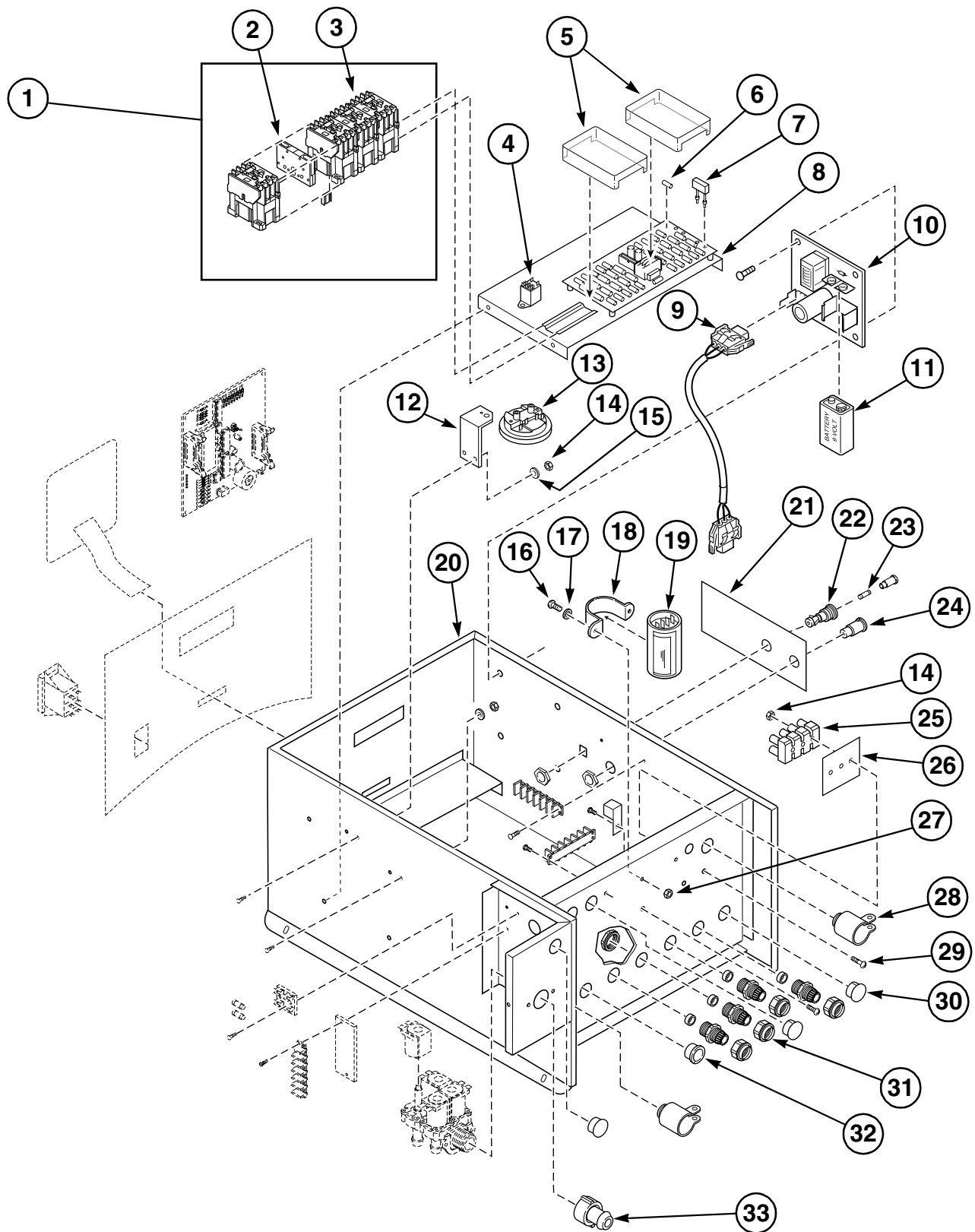
# Control Module

UW35P Models

REF	PART #	DESCRIPTION	COMMENTS
1	F191101	Battery	9 Volt
2	F340412	Momentary Switch	White
3	F340445	Contact Block Switch	
4	F231083	Decal	Emergency stop
5	F340718	Emergency Stop Pushbutton	
6	F230724	Decal	Keypad
7	F141870	Harness Assembly	Replaces old style terminal block and ribbon cable
8	F140219	Ribbon Cable	
9	F370534-00P	WE-6 Microcomputer	
10	F230721	Decal	Module front

# Control Module

UW35S Models



PHM595P

# Control Module

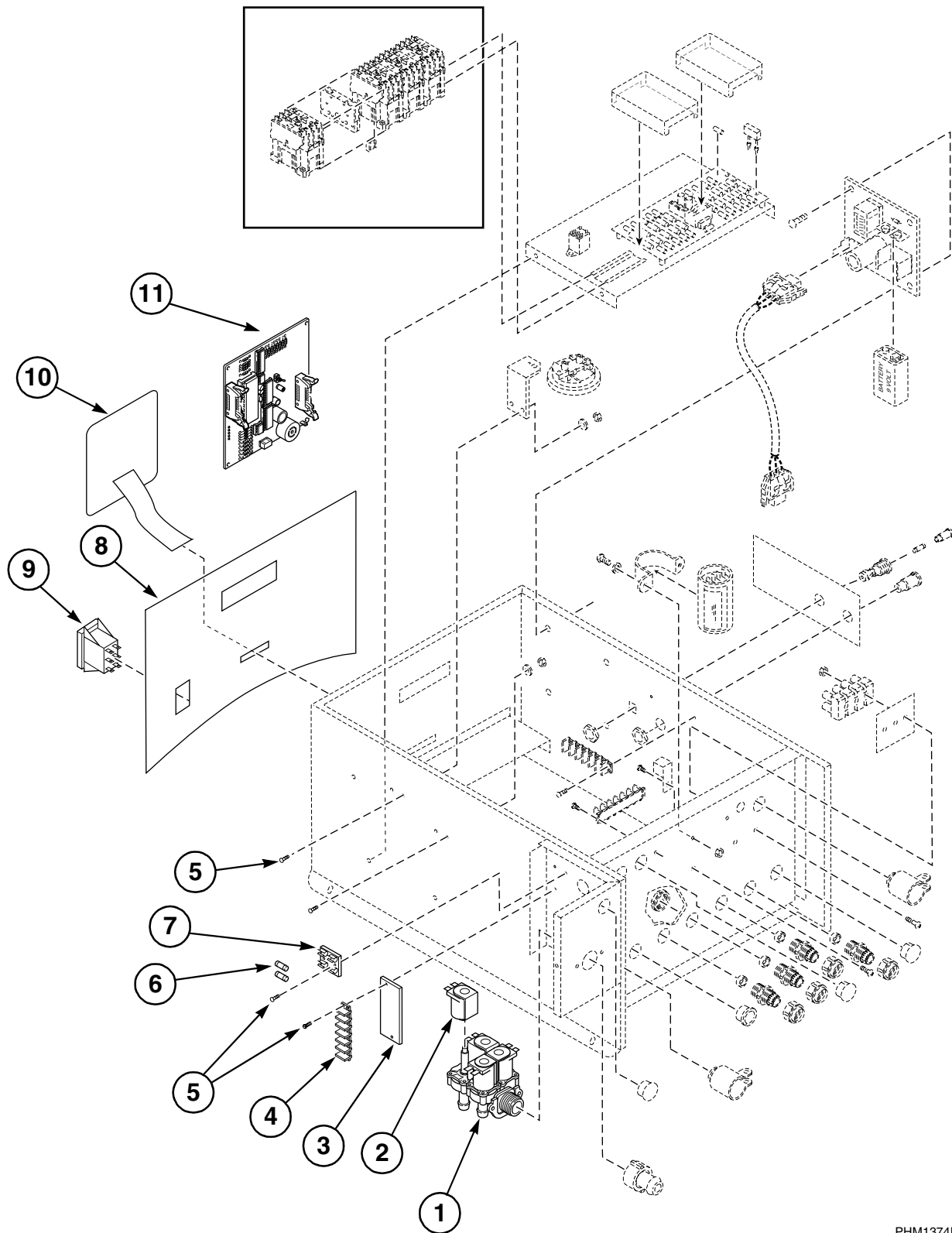
UW35S Models

REF	PART #	DESCRIPTION	COMMENTS
1	F330175*	Contactors	120 Volt
	F330177*	Contactors	220 Volt
	F330178*	Contactors	120 Volt; 2 on S3 dual motor models
2	F330186	Interlock	1 used on S2 models; 2 used on S3 models
3	F330403	Overload Contactor	Single phase models only
4	F330227	Flange Relay	120 Volt
	F330230	Flange Relay	220 Volt
5	F140421	Cover	
6	F350108	Fuse	1/8 Amp; Slo-Blo
	F350110	Fuse	1 Amp; Slo-Blo
	F350109	Fuse	1/2 Amp; Fast
7	F330217	RC Network Filter	
8	F370449P	Output CCA	120 Volt
	F370450P	Output CCA	220 Volt
9	F604456	Harness	Battery back-up; 3 pin
10	F370529	Battery Back-up Board	
11	F191101	Battery	
12	F630242	Switch Bracket	
13	F340328	Pressure Switch	
14	F431022	Nut	
15	F431113	Lockwasher	
16	F430916	Screw	
17	F430311	Washer	
18	F340704	Bracket	
19	F340001	Switch	Use with single phase models only; Use with Century motors only
	F340002	Switch	Use with single phase models only; Use with Elmo motors only
20	FUW35S2-MDL	Module Subassembly	
21	F230678	Decal	Keymode
22	F350304	Fuse Holder	
23	F350104	Fuse	2 Amp
24	F350412	Light	120 Volt; Red
	F350414	Light	220 Volt; Red
25	F140746	Input Power Block	
26	F230677	Decal	Input Power Connector
27	F430231	Nut	
28	F140311	Connector	
29	F430916	Screw	
30	F140527	Plug	
31	F140309	Connector	
32	F140909	Bushing	
33	F200302	Connector	

**\*NOTE: Old style contactors with interlocks require replacement of both contactors and interlock if one contactor fails.**

# Control Module

UW35S Models



PHM1374P

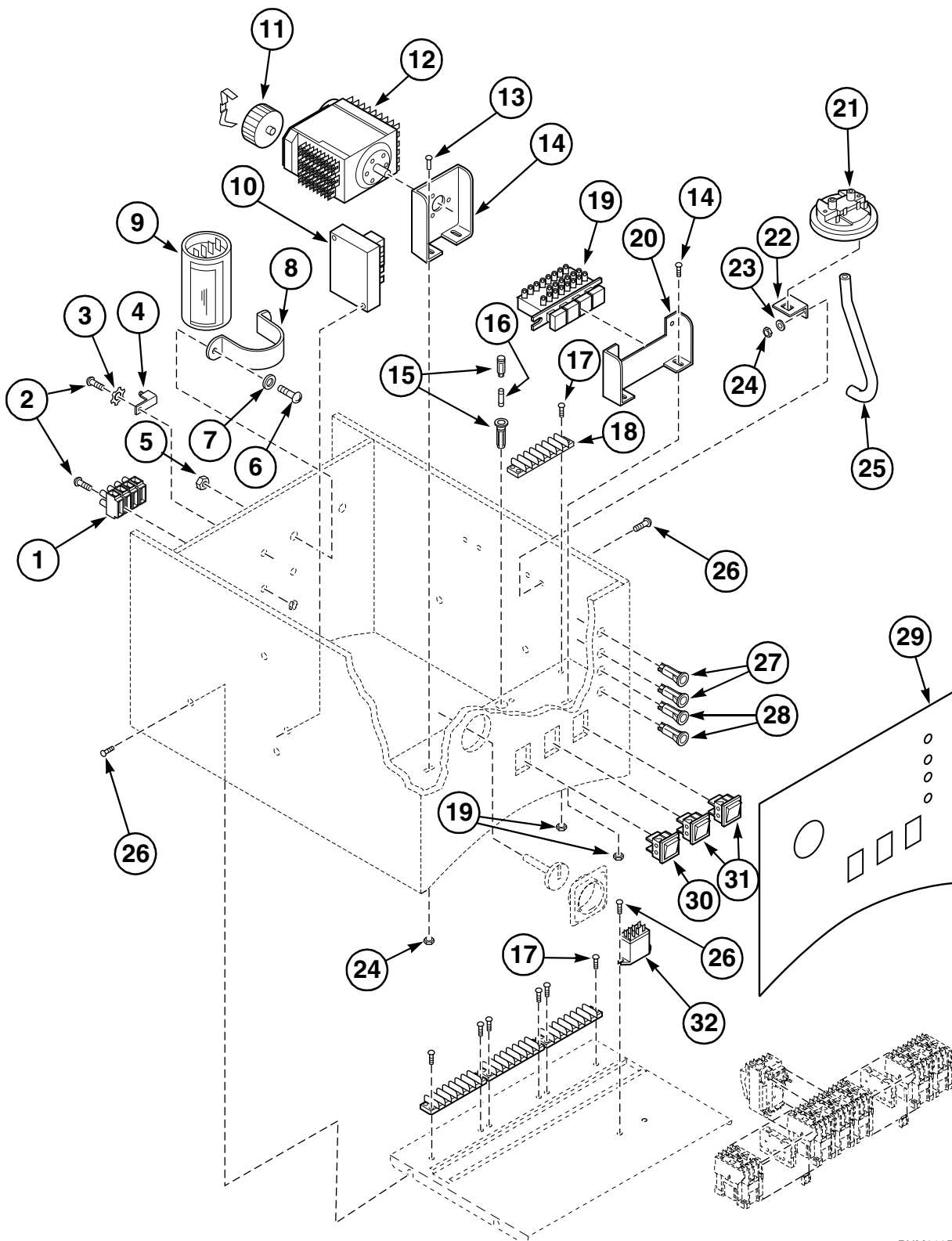
# Control Module

UW35S Models

REF	PART #	DESCRIPTION	COMMENTS
1	F380715	4-way Valve	120 Volt; Mueller; Repair Kit part no. F380938
	F380725	4-way Vavle	220 Volt; Mueller; Repair Kit part no. F380938
	F381724	4-way Valve	120 Volt; Elbi; Repair Kit part no. G581P3
	F381723	4-way Valve	220 Volt; Elbi; Repair Kit part no. G581P3
2	F380900	Coil	120 Volt; Mueller
	F380917	Coil	220 Volt; Mueller
3	F230764-7	Decal	
4	F140738	Terminal Strip	
5	F430928	Screw	
6	F350115	Fuse	3 Amp; Fast
7	F0350312-00	Dual Fuseholder	
8	F230795	Decal	Control module
9	F340412	Momentary Switch	White
10	F370576	Decal	Keypad
11	F370555-00P	S-Series Computer	

# Control Module

UM35M Models



PHM610P



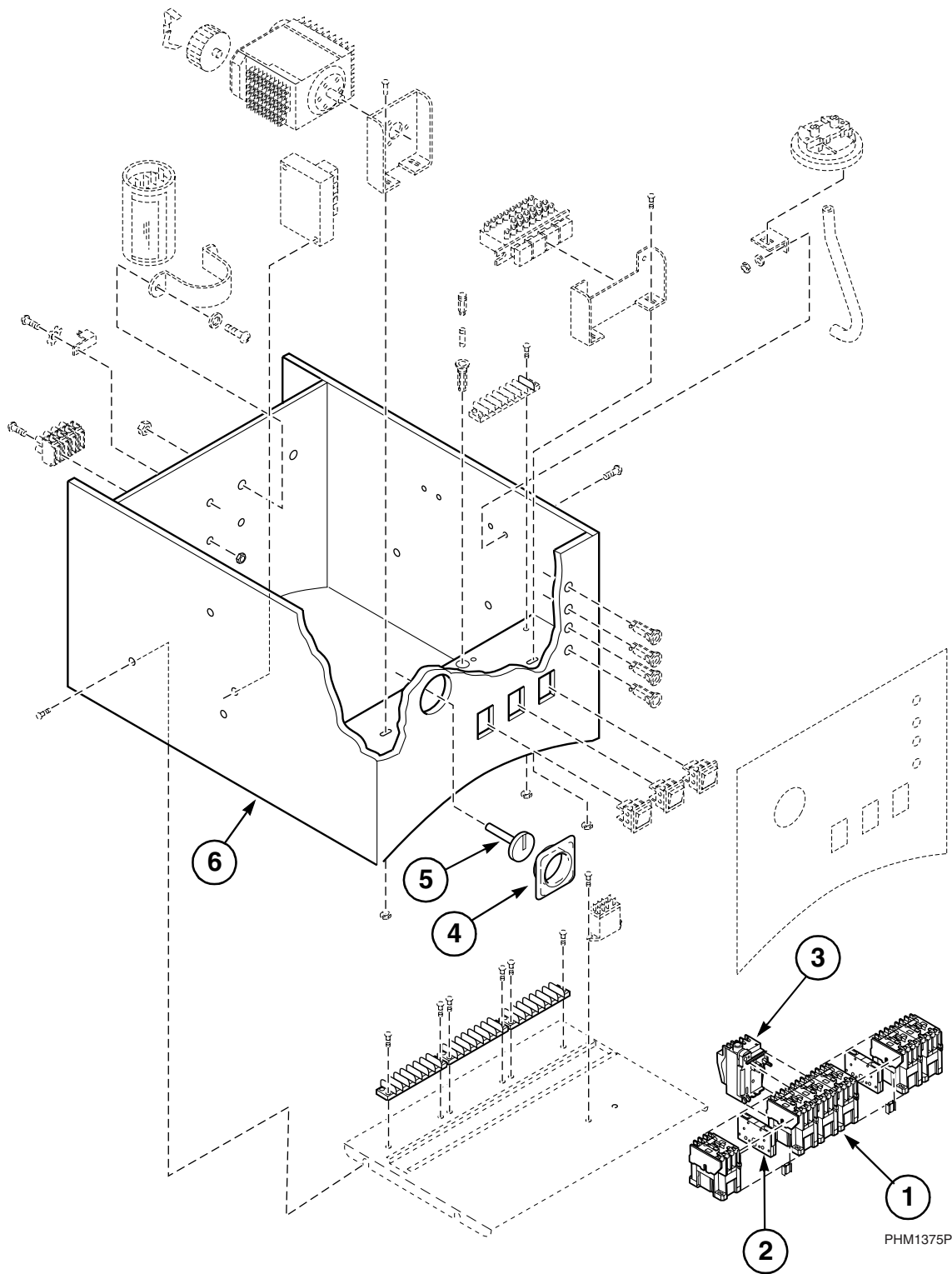
# Control Module

UM35M Models

REF	PART #	DESCRIPTION	COMMENTS
1	F140746	Input Power Block	
2	F430903	Screw	
3	F431113	Lockwasher	
4	F140734	Ground Terminal Lug	
5	F430231	Nut	
6	F430916	Screw	
7	F430311	Washer	
8	F340704	Bracket	
9	F340001	Switch	Use with single phase models only; Use with Century motors only
	F340002	Switch	Use with single phase models only; Use with Elmo motors only
10	F330234	Time Delay Relay	30 second; 120 Volt
	F330235	Time Delay Relay	30 second; 220 Volt
11	F160539	Timer Motor	120 Volt
	F160538	Timer Motor	220 Volt
12	F160301	Timer	120 Volt
	F160304	Timer	220 Volt
13	F430928	Screw	
14	F604214	Mounting Bracket	
15	F350304	Fuse Holder	
16	F350104	Fuse	2 Amp; Fast
17	F430916	Screw	
18	F140738	Terminal Strip	
19	F340413	Cycle Selector Switch	Prior to 10/97; Used with item 15
	F340442	Cycle Selector Switch	After 10/97; Used with item 15
20	F604213	Switch Mounting Bracket	Used with item 14
21	F340328	Water Press Switch	
22	F630242	Water Level Switch Bracket	
23	F430311	Washer	
24	F431022	Nut	
25	F422404	Tubing	Order 3 feet
26	F430922	Screw	
27	F350412	Light	Red; 120 VAC
	F350414	Light	Red; 220 VAC
28	F350411	Light	Amber; 120 VAC
	F350413	Light	Amber; 220 VAC
29	F230687	Control Module Decal	
30	F340411	Rocker Switch	Red
31	F340412	Momentary Switch	White
32	F330227	Flange Relay	120 Volt
	F330230	Flange Relay	220 Volt

# Control Module

UM35M Models



PHM1375P

# Control Module

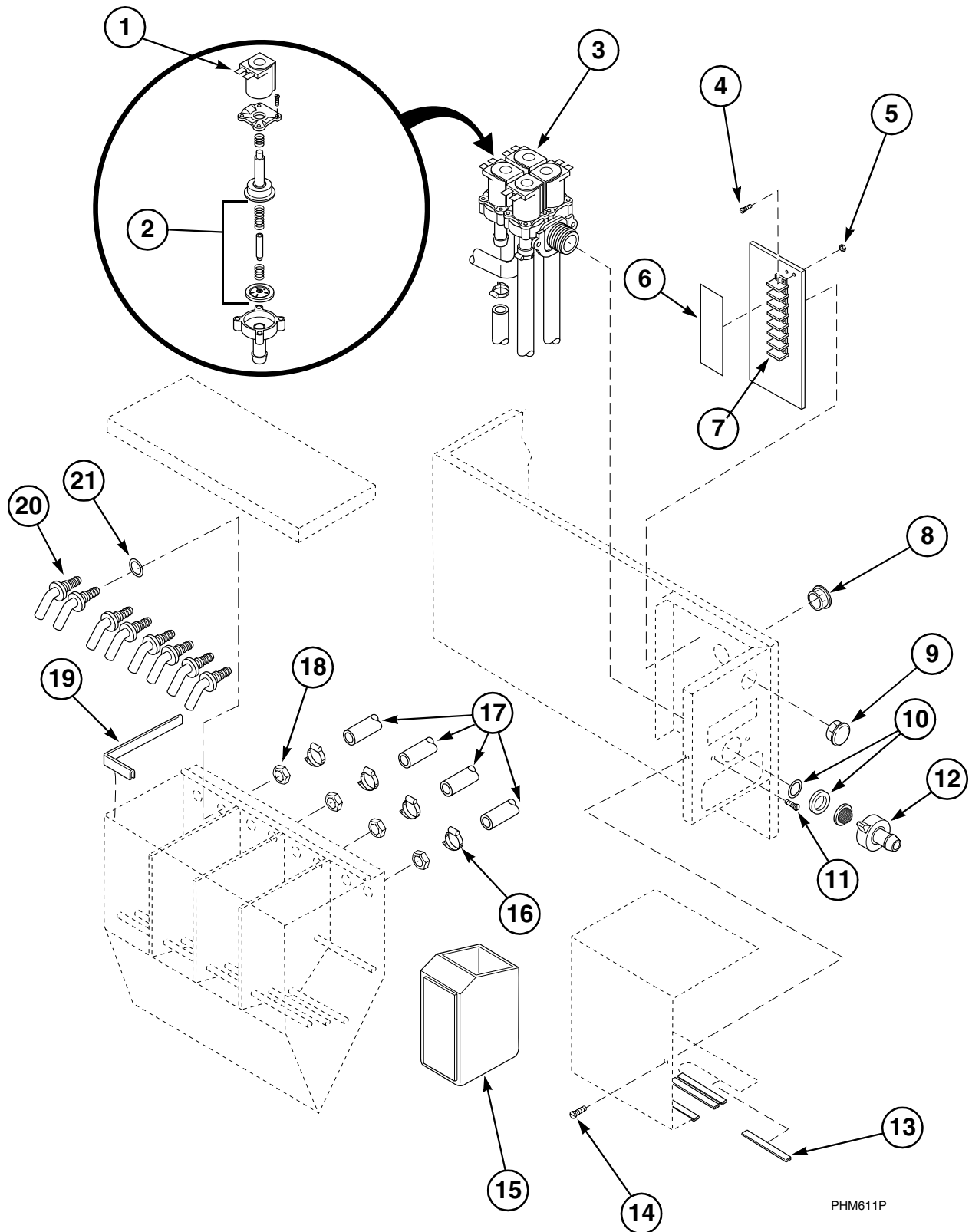
UM35M Models

REF	PART #	DESCRIPTION	COMMENTS
1	F330175	Contactors*	120 Volt
	F330178	Contactors*	120 Volt; 2 used on M3 dual motor models
	F330177	Contactors*	220 Volt
	F330179	Contactors*	220 Volt; 2 used on M3 dual motor models
2	F330186	Interlock*	
3	F330403	Overload Contactor	
4	F150310	Timer Glass	
5	F150378	Indicator	
6	FUW35M2-MDL	Control Subassembly	

**\*NOTE: Old style contactors with interlocks require replacement of both contactors and interlock if one contactor fails.**

# Stainless Steel Supply Dispenser

Old Style



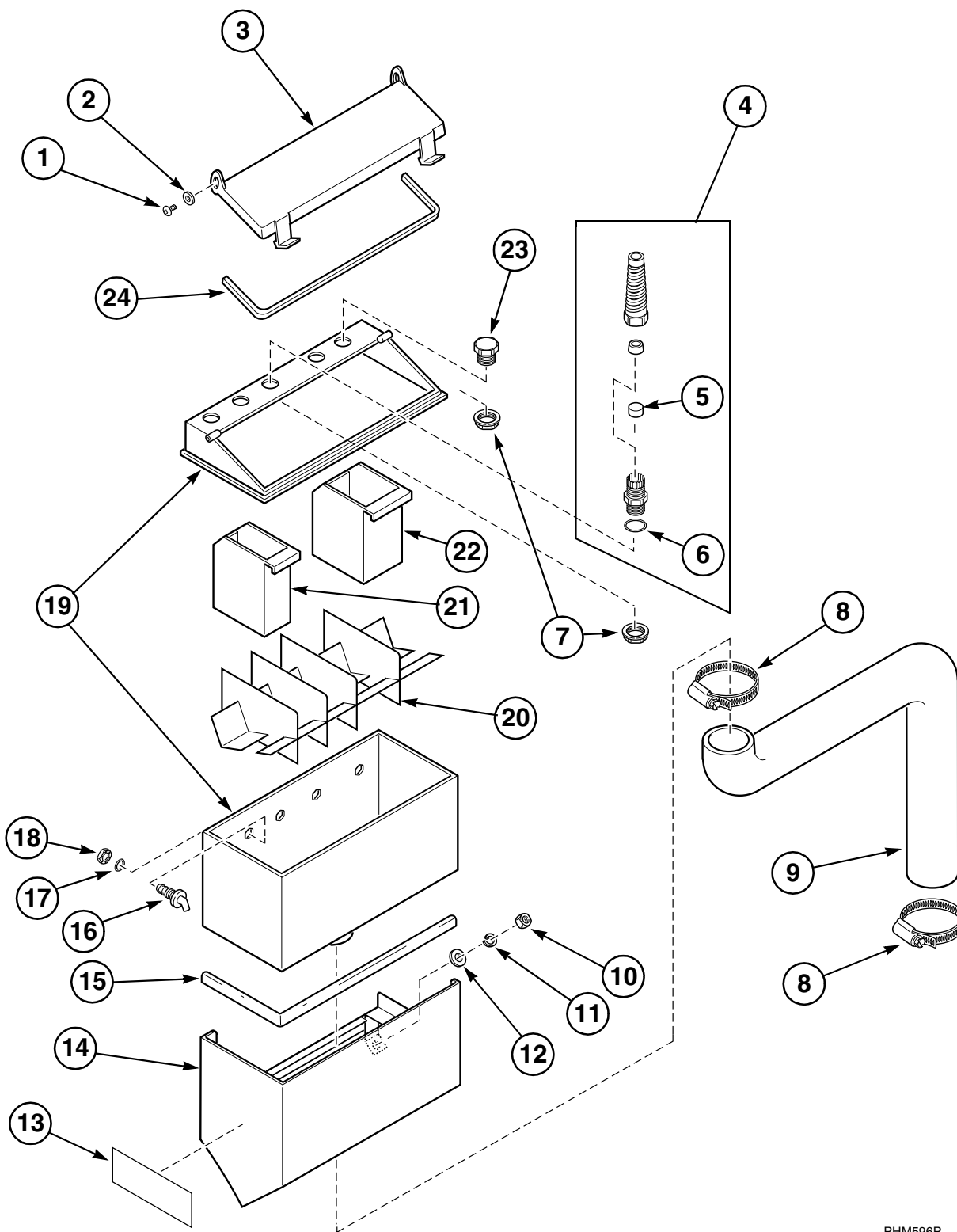
PHM611P

# Stainless Steel Supply Dispenser

Old Style

REF	PART #	DESCRIPTION	COMMENTS
	F730168	Soap Injection Nozzle Kit	Includes items 18, 20 and 21
1	F380900	Valve Coil	120 Volt
	F380917	Valve Coil	220 Volt
2	F380938	4-Way Valve Repair Kit	
3	F380715	4-Way Supply Valve	120 Volt
	F380725	4-Way Supply Valve	220 Volt
4	F430916	Screw	
5	F431022	Nut	
6	F230622	Decal	
7	F140738	Terminal Block	External supply; Terminal strip
	F140776	Terminal Block	8-pole terminal block
8	F140909	Insulator Bushing	
9	F140527	Plug	
10	F380106	Flow Restrictor	8 Liter
11	F430948	Screw	
12	F200302	Connector	
13	F170402	Gasket	Order 2 feet
14	F430152	Screw	
15	F603411	Soap Supply Cup	16 ounce
16	36801	Clamp	#6
17	F200110	Hose	Order 6 feet
18	F430224	Nut	
19	F170400	Trim	Order 3 feet
20	F380300	Nozzle	
21	F170208	O-Ring	Supply nozzle

# Polypropylene Supply Dispenser



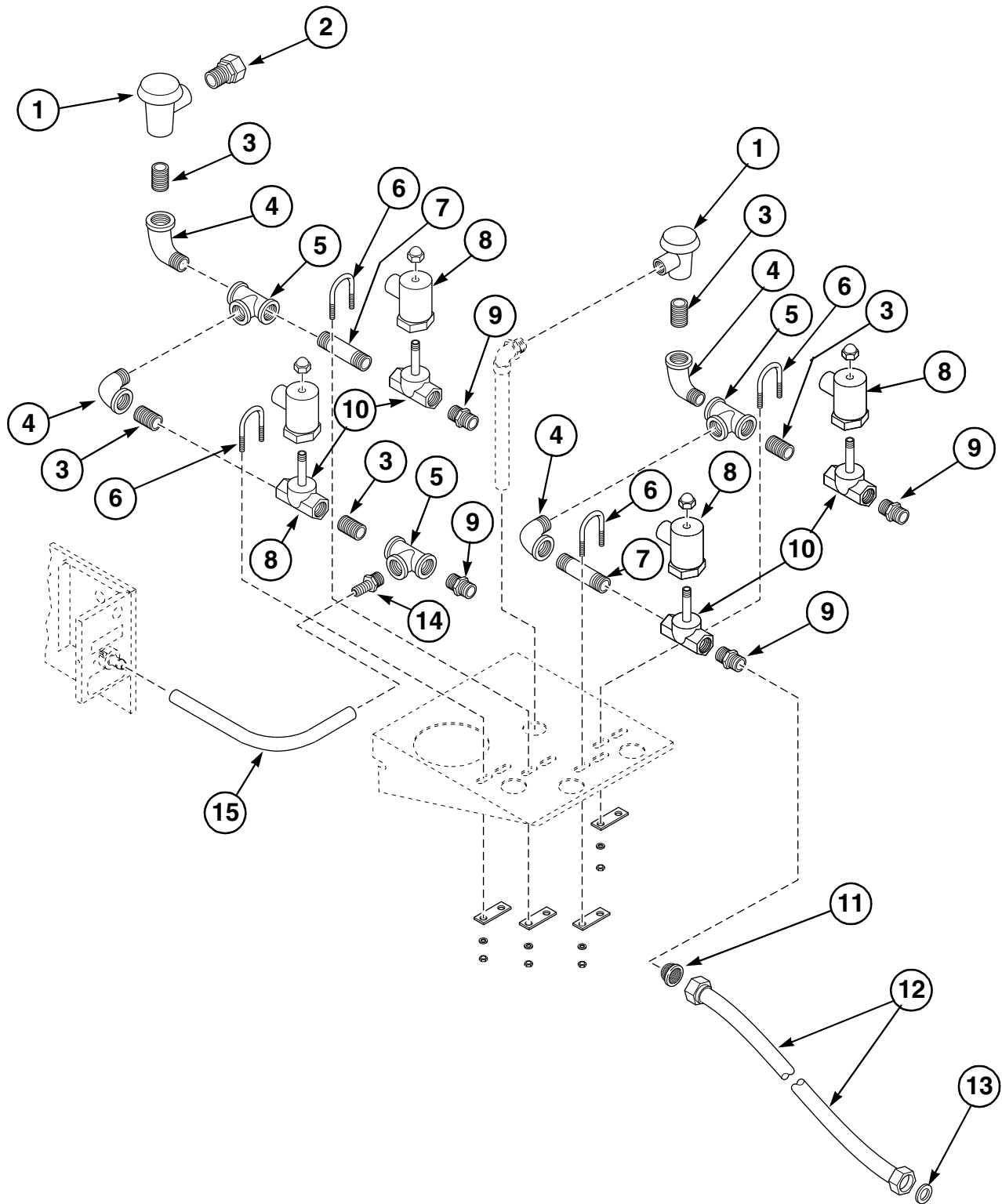
PHM596P

# Polypropylene Supply Dispenser

REF	PART #	DESCRIPTION	COMMENTS
	F730168	Injection Nozzle Kit	Includes items 16-18
1	F430917	Screw	
2	F431133	Washer	
3	F150384	Dispenser Lid	
4	F749802	Strain Relief Adapter Kit	
5	F170165	Plug	
6	F170215	O-Ring	
7	F140340	Connector	
8	F200213	Clamp	#40
9	F150478	Hose	
10	F431005	Nut	
11	F431100	Lockwasher	
12	F431147	Washer	
13	F231020	Decal	
14	F633032-3	Dispenser Shroud Weldment	
15	F170400	Trim	Order 3 feet
16	F380300	Injection Nozzle	
17	F170208	O-Ring	Supply nozzle
18	F430224	Nut	
19	F150500	Dispenser Assembly	
20	F150388	Dry Supply Insert	
21	F150385	Chemical Supply Cup	20 ounces
22	F150386	Chemical Supply Cup	32 ounces
23	F190304	Plug Cap	
24	F170158	Dispenser Lid Gasket	Order 3 feet

# Spray and Fill Plumbing

Hays Valves



PHM886P



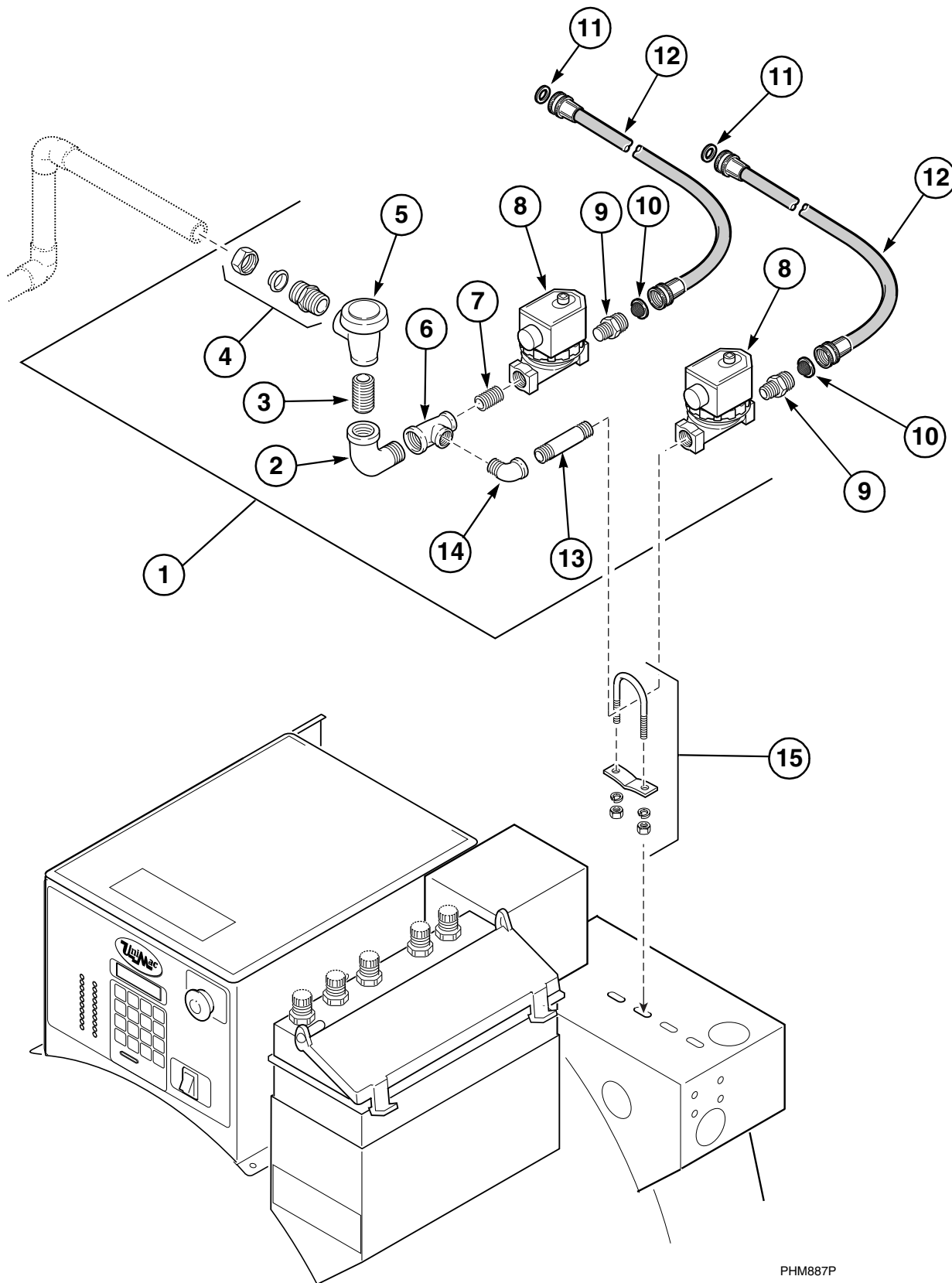
# Spray and Fill Plumbing

## Hays Valves

REF	PART #	DESCRIPTION	COMMENTS
1	F380800	Vacuum Breaker Valve	3/4 inch; Repair kit part no. F380965
2	F422106	Connector	
3	F420105	Nipple	
4	F420502	Elbow	
5	F420401	Tee	
6	F200401	U-Bolt Clamp	#5; Includes hardware
7	F420103	Nipple	
8	F380901	Coil	Round; 120 Volt
	F380975	Coil	Rectangular; Plug-Type; 120 Volt; Din
	F380902	Coil	Round; 220 Volt
	F380976	Coil	Rectangular; Plug-Type; 220 Volt; Din
9	F421908	Hose Adapter	Standard thread
	F421949	Hose Adapter	Metric thread
10	F380700	Solenoid Valve	120 Volt
	F380701	Solenoid Valve	220 Volt
	F380914	Valve Repair Kit	
11	F270300	Filter Screen	
12	F200164	Hose	Standard thread
	F200166	Hose	Metric thread
13	F200500	Washer	
14	F421930	Hose Barb	
15	F200199	Hose	Order 2 feet

# Spray Plumbing

Parker Valves  
Not on all machines



PHM887P

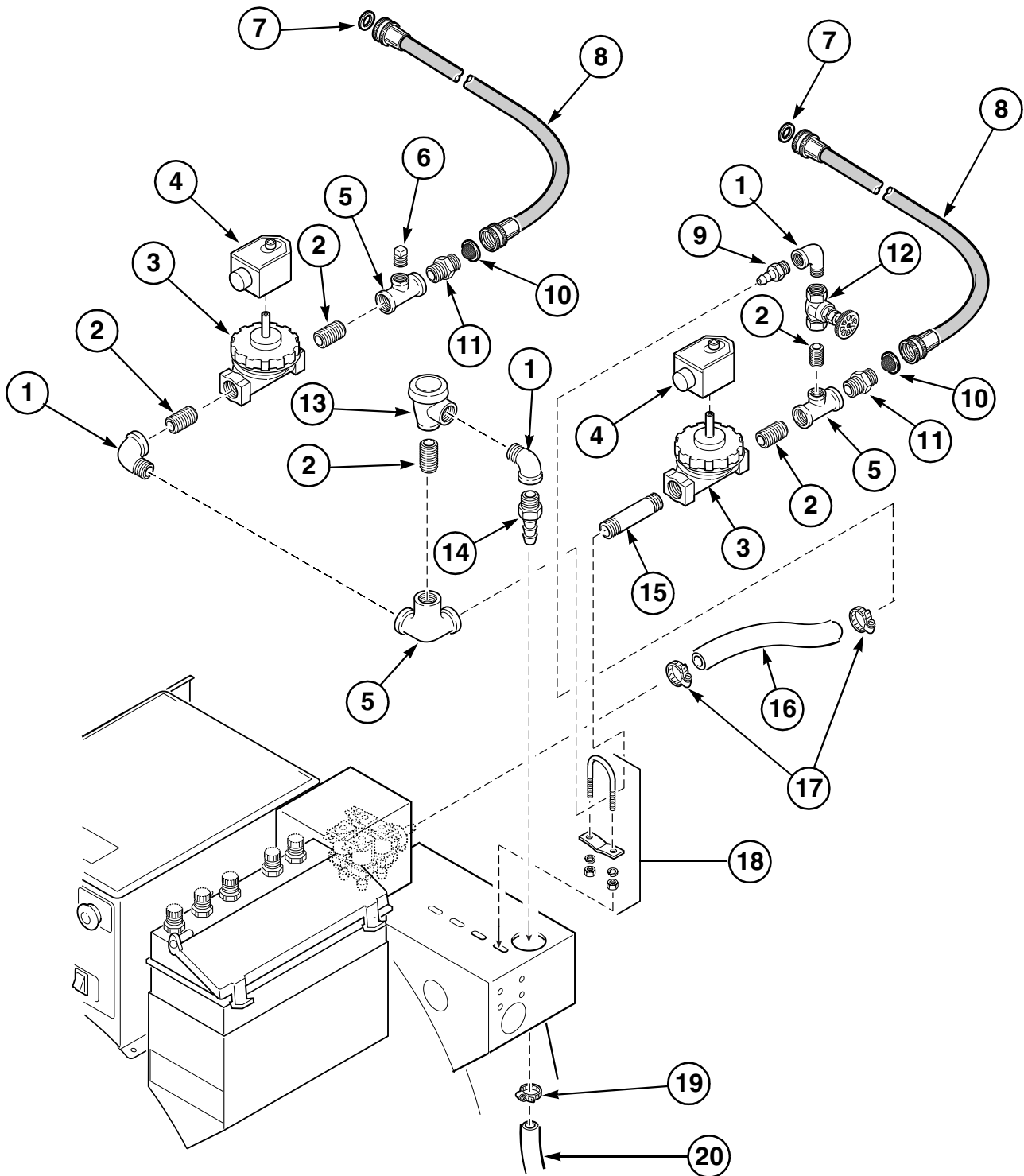
# Spray Plumbing

Parker Valves  
Not on all machines

REF	PART #	DESCRIPTION	COMMENTS
1	F633150	Spray Plumbing Assembly	120 Volt
	F633150-1	Spray Plumbing Assembly	220 Volt
	F633150-2	Spray Plumbing Assembly	120 Volt with brass option
	F633150-3	Spray Plumbing Assembly	220 Volt with brass option
	F633150-4	Spray Plumbing Assembly	120 Volt with metric
	F633150-5	Spray Plumbing Assembly	220 Volt with metric
	F633150-6	Spray Plumbing Assembly	120 Volt with metric and brass option
	F633150-7	Spray Plumbing Assembly	220 Volt with metric and brass option
2	F420502	Elbow	
3	F420105	Nipple	
4	F422106	Tube Connector	
5	F380800	Vacuum Breaker Valve	3/4 inch; Repair kit part no. F380965
6	F420401	Tee	
7	F420101	Nipple	
8	F381702	Valve	1/2 inch; 120 Volt; With DIN
	F381703	Valve	1/2 inch; 220 Volt; With DIN
	F380986	Solenoid	120 Volt
	F380987	Solenoid	220 Volt
	F380993	Valve Repair Kit	1/2 inch; Each valve requires one (1) Repair kit
9	F421908	Hose Adapter	Standard thread
	F421949	Hose Adapter	Metric thread
10	F270300	Filter Screen	
11	F200500	Washer	
12	F200164	Hose	Standard thread
	F200166	Hose	Metric thread
13	F420103	Nipple	
14	F420500	Street Elbow	
15	F200401	U-Bolt Clamp	#5; Includes hardware

# Fill Plumbing

Parker Valves



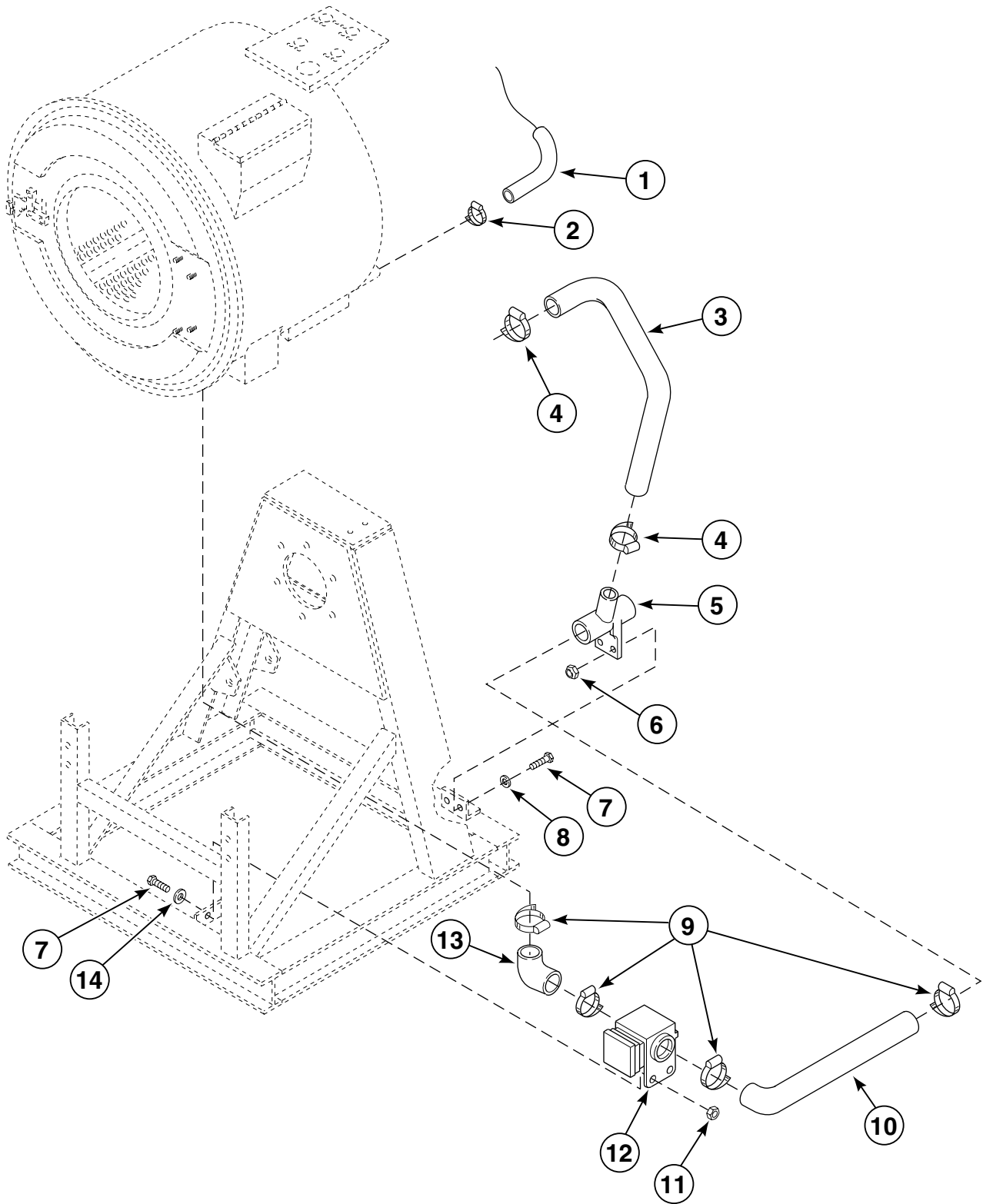
PHM597P

# Fill Plumbing

Parker Valves

REF	PART #	DESCRIPTION	COMMENTS
1	F420500	Street Elbow	
2	F420101	Nipple	
3	F381702	Valve	120 Volt; 1/2 inch
	F381703	Valve	220 Volt; 1/2 inch
	F380993	Valve Repair Kit	1/2 inch
4	F380986	Solenoid	120 Volt
	F380987	Solenoid	220 Volt
5	F420400	Tee	
6	F420408	Plug	
7	F200500	Washer	
8	F200164	Hose	Standard thread
	F200166	Hose	Metric thread
9	F421951	Hose Barb	
10	F270300	Filter Screen	
11	F421908	Hose Adapter	Standard thread
	F421949	Hose Adapter	Metric thread
12	F380500	Gate Valve	
13	F380801	Valve	1/2 inch; Repair kit part no. F380964
14	F421930	Hose Barb	
15	F420103	Nipple	
16	F605793	Fill Tube Assembly	
17	F200206	Clamp	#4
18	F200401	U-Bolt Clamp	#5; Includes hardware
19	F200222	Clamp	#12
20	F200111	Hose	Order 6 feet

# Drain Valve and Hoses

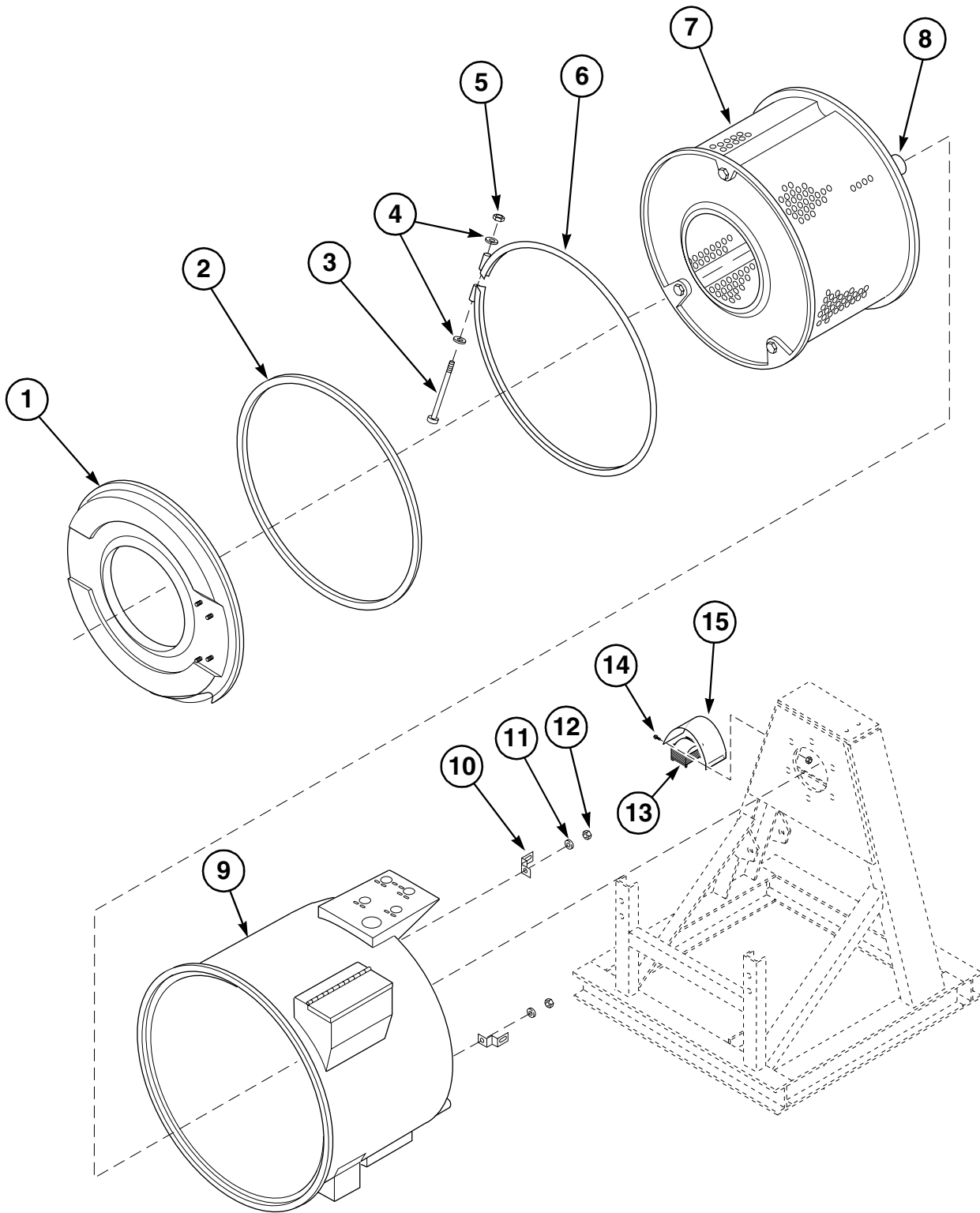


P036PE3A

## Drain Valve and Hoses

REF	PART #	DESCRIPTION	COMMENTS
1	F200142	Air Trap Hose	
2	F200214	Clamp	#10
3	F150353	Overflow Hose	
4	F200215	Clamp	#28
5	F150318	Drain Tee	
6	F431005	Nut	
7	F430103	Screw	
8	F431147	Washer	
9	F200213	Clamp	#40
10	F150331	Drain Hose	Rear; From drain valve to drain tee
11	F430211	Nut	
12	F380618	Drain Valve	120 Volt
	F380619	Drain Valve	220 Volt
13	F602761	Drain Valve Cover	
14	F150312	Drain Hose	Front; From outer tub to drain valve
15	F430305	Lockwasher	

# Basket, Shell and Frame Assembly



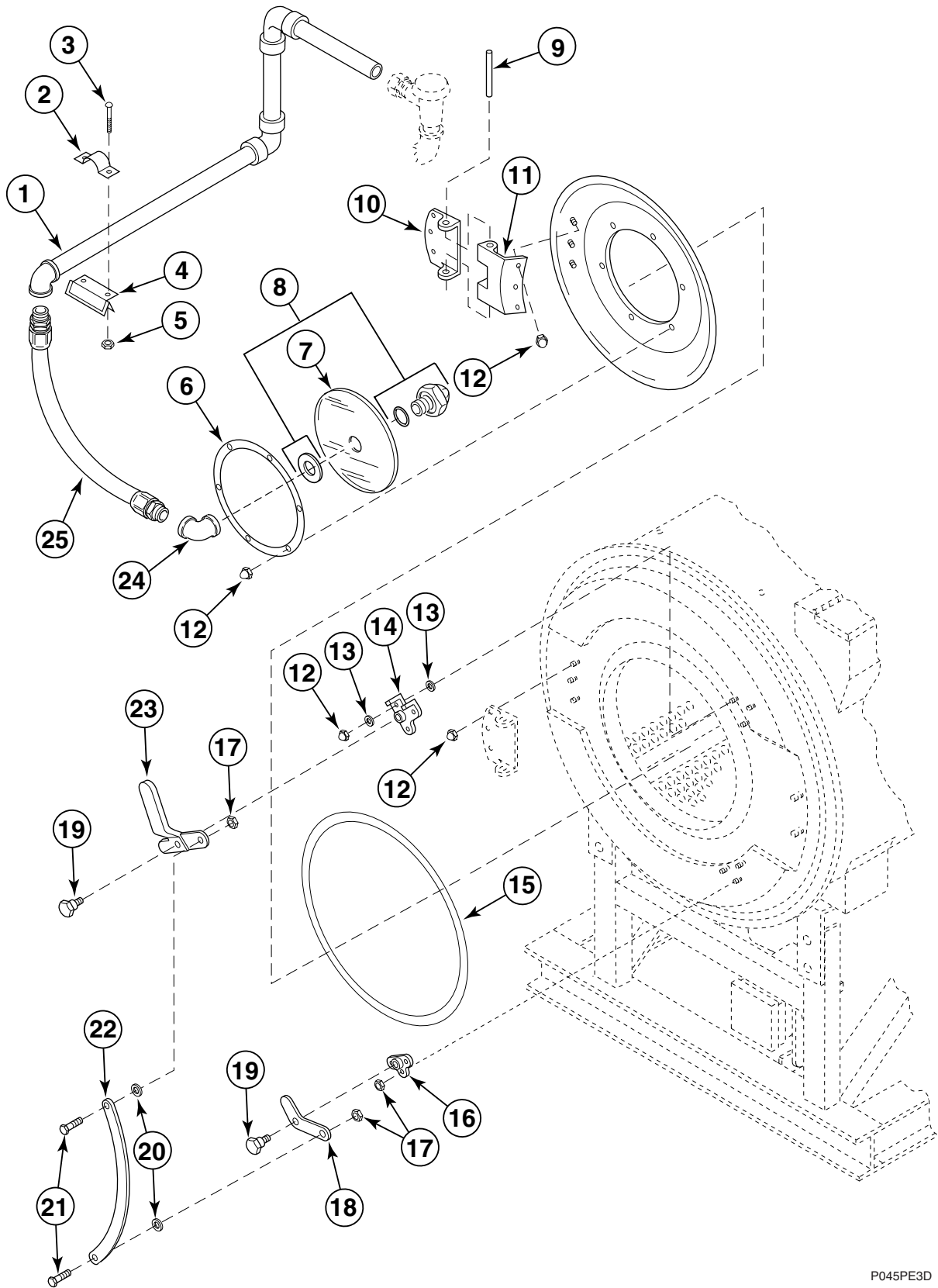
PHM888P



## Basket, Shell and Frame Assembly

REF	PART #	DESCRIPTION	COMMENTS
1	F603692	Shell Front Assembly	
2	F792000	Shell Front Gasket Kit	
3	F430500	Screw	
4	F430317	Washer	
5	F431005	Nut	
6	F603229-1	Shell Band Assembly	
7	F603225-1	Basket Assembly	2 speed
	F604129	Basket Assembly	3 speed
8	F0320357-00	Shaft Sleeve	2 speed
	F792000	Shaft Sleeve	3 speed
9		Shell Assembly	Contact factory with model and serial number
10	F601806	Shell Mounting Bracket	
11	F430301	Washer	
12	F430205	Nut	
13	F360124	Transformer	
14	F430935	Screw	
15	F140425	Cover	Transformer

# Door and Spray Rinse

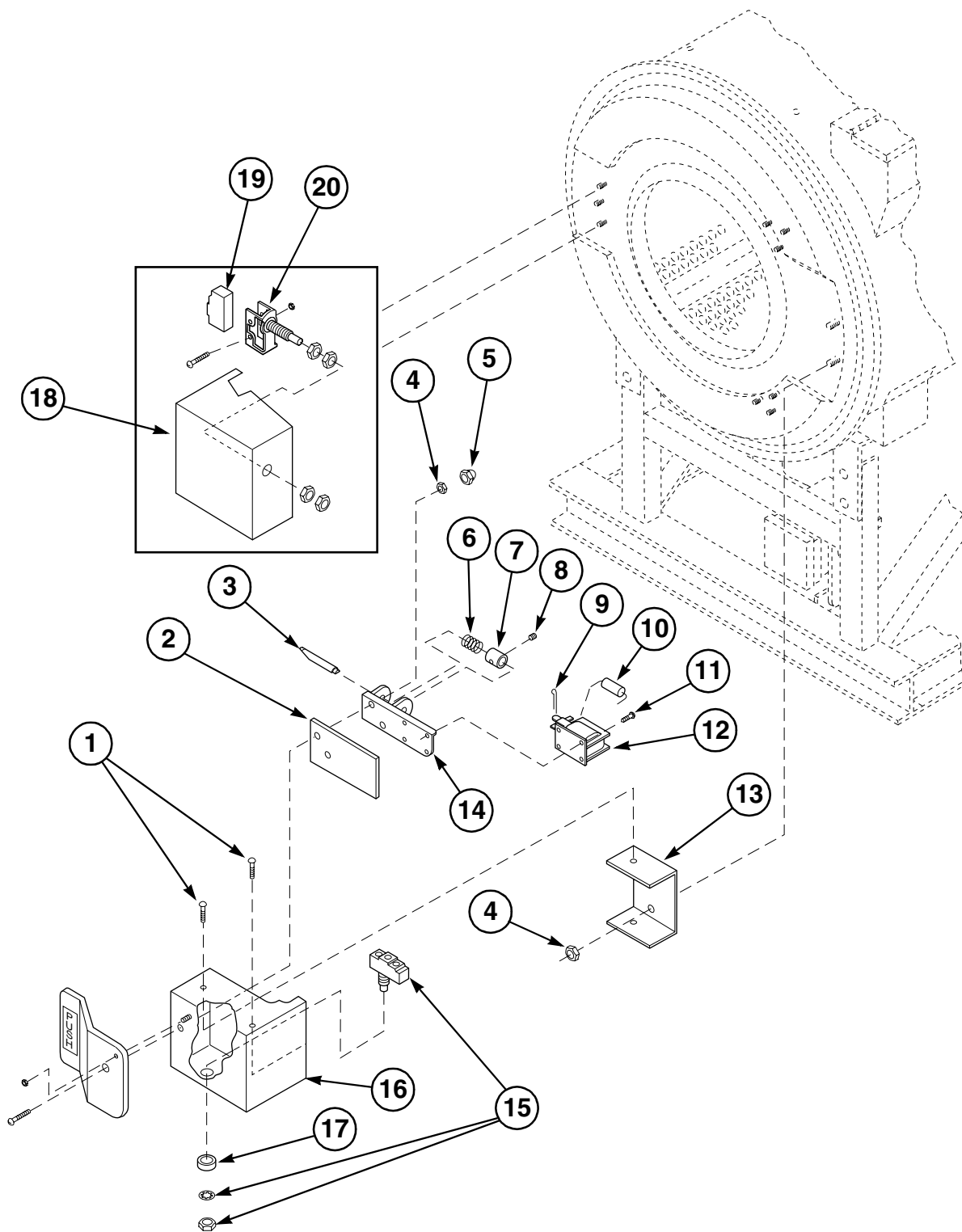


P045PE3D

## Door and Spray Rinse

REF	PART #	DESCRIPTION	COMMENTS
	F603693	Door Assembly	With spray rinse
	F630492	Door Assembly	Without spray rinse
<b>1</b>	F603696-7	Spray Tube Assembly	
<b>2</b>	F602880	Spray Rinse Strap	
<b>3</b>	F430917	Screw	
<b>4</b>	F602901	Spray Rinse Bracket Assembly	
<b>5</b>	F431022	Nut	
<b>6</b>	F320100	Retainer Ring	
<b>7</b>	F290202P	Glass	With spray rinse
	F290203P	Glass	Without spray rinse
	F170112	Door Glass Gasket	
<b>8</b>	F730077	Spray Rinse Nozzle Kit	Includes hardware
<b>9</b>	F601815	Door Hinge Pin	
<b>10</b>	F601245	Door Butt	
<b>11</b>	F150209	Door Hinge Strap	
<b>12</b>	F431026	Cap Nut	
<b>13</b>	F431100	Lockwasher	
<b>14</b>	F150201	Top Latch Bracket Casting	
<b>15</b>	F170143	Door Gasket	
<b>16</b>	F150202	Lower Door Latch Bracket Casting	
<b>17</b>	F430205	Nut	
<b>18</b>	F150204	Lower Door Latch Casting	
<b>19</b>	F430168	Screw	
<b>20</b>	F431118	Washer	
<b>21</b>	F430927	Screw	
<b>22</b>	F746800	Extension Arm Kit	Includes items 17, 20 and 21
<b>23</b>	F150203	Door Handle Casting	
<b>24</b>	F422319	Elbow	
<b>25</b>	F730025	Spray Rinse Hose Kit	

# Dual Door Box

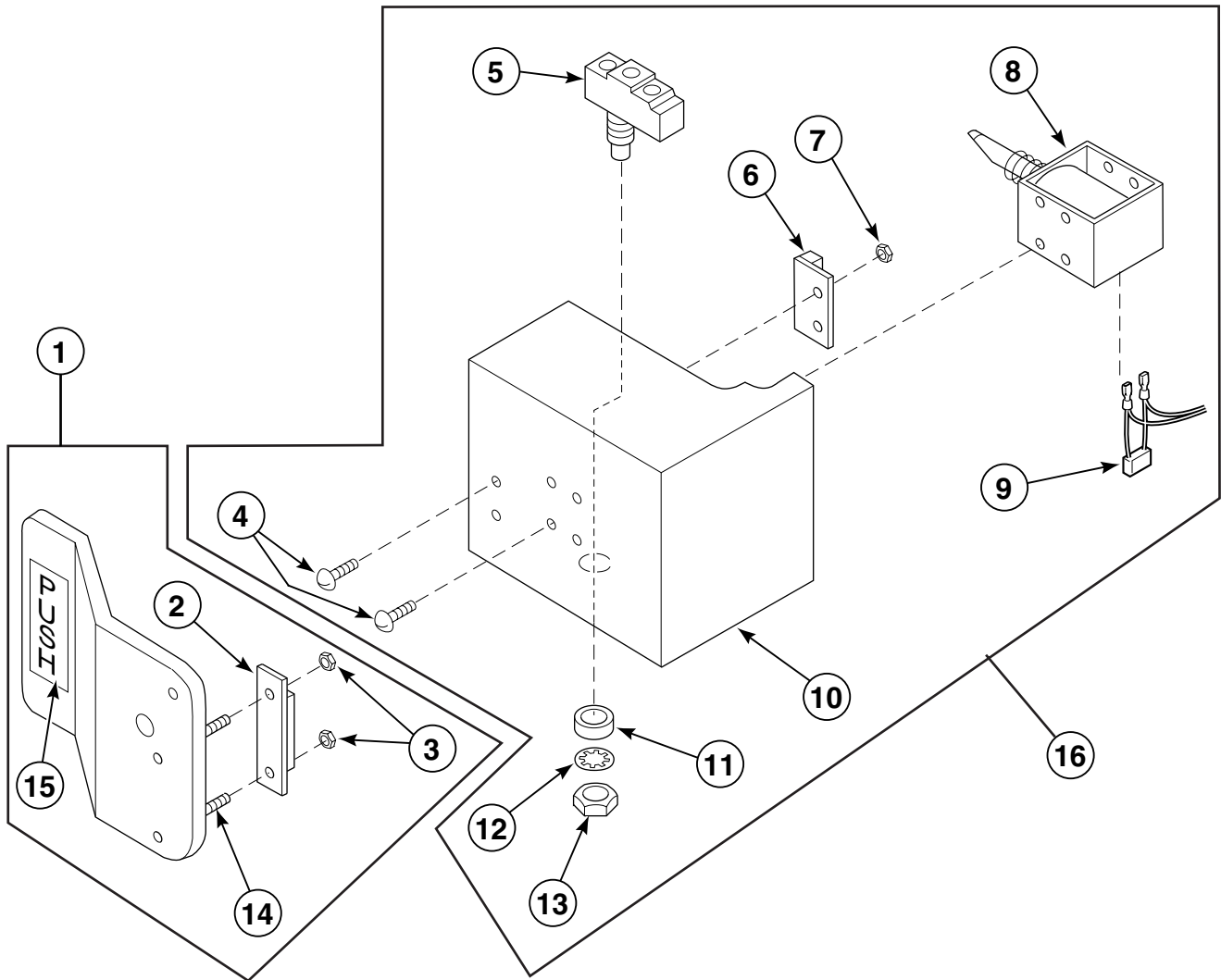


PHM613P

## Dual Door Box

REF	PART #	DESCRIPTION	COMMENTS
1	F430988	Screw	
2	F170135	Gasket	
3	F601081	Plunger	Door lock
4	F430211	Nut	
5	F190300	Cap	Plastic
6	F310119	Solenoid	
7	F150288	Door Lock Set Collar	
8	F430502	Screw	
9	F431201	Pin	
10	F330217	RC Network Filter	
11	F430917	Screw	
12	F300101	Door Solenoid	120 Volt
	F300105	Door Solenoid	220 Volt
13	F601129	Door Box Mounting Bracket	
14	F605525	Door Box Mounting Plate Assembly	
15	F340900	Switch	
16	F601523	Right Door Box	
17	F432301	Spacer	
18	F601522	Left Door Box	
19	F340901	Door Hinge Switch	
20	F340913	Switch Extension	

# Single Door Box

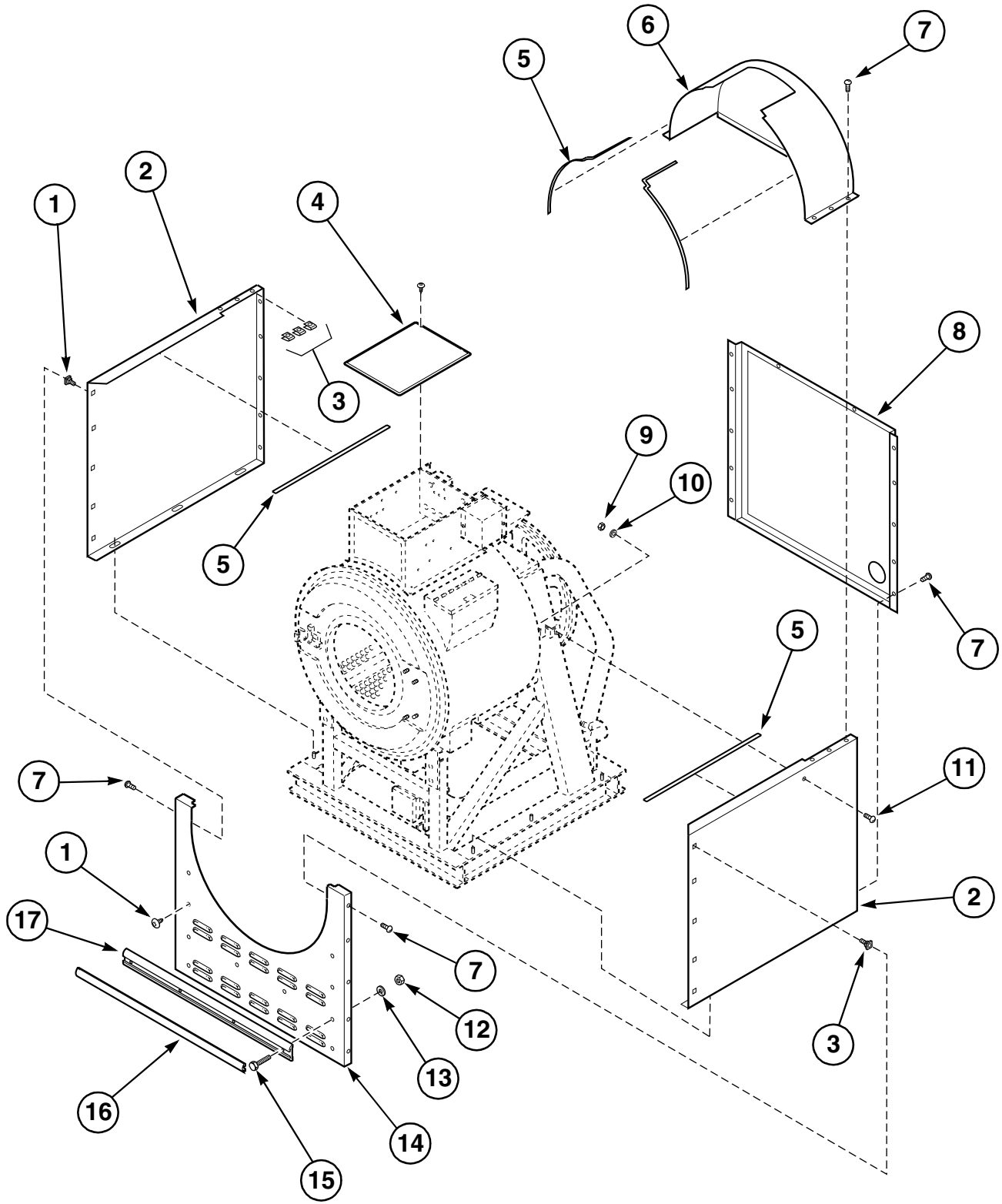


P144PE3B

# Single Door Box

REF	PART #	DESCRIPTION	COMMENTS
1	F746201-1	Push Handle Kit	
2	F340703	Magnet	
3	F431026	Nut	
4	F430917	Screw	
5	F340900	Interlock Switch	
6	F340702	Magnetic Switch	
7	F430231	Nut	
8	F300118	Door Solenoid	120 Volt
	F300129	Door Solenoid	220 Volt
9	F330217	RC Network Filter	
10	F605466	Door Box	
11	F432301	Spacer	
12	F431108	Washer	
13	F431021	Nut	
14	F430909	Screw	
15	F230303	Decal	Push
16	F603695	Door Box Assembly	

# Cabinet



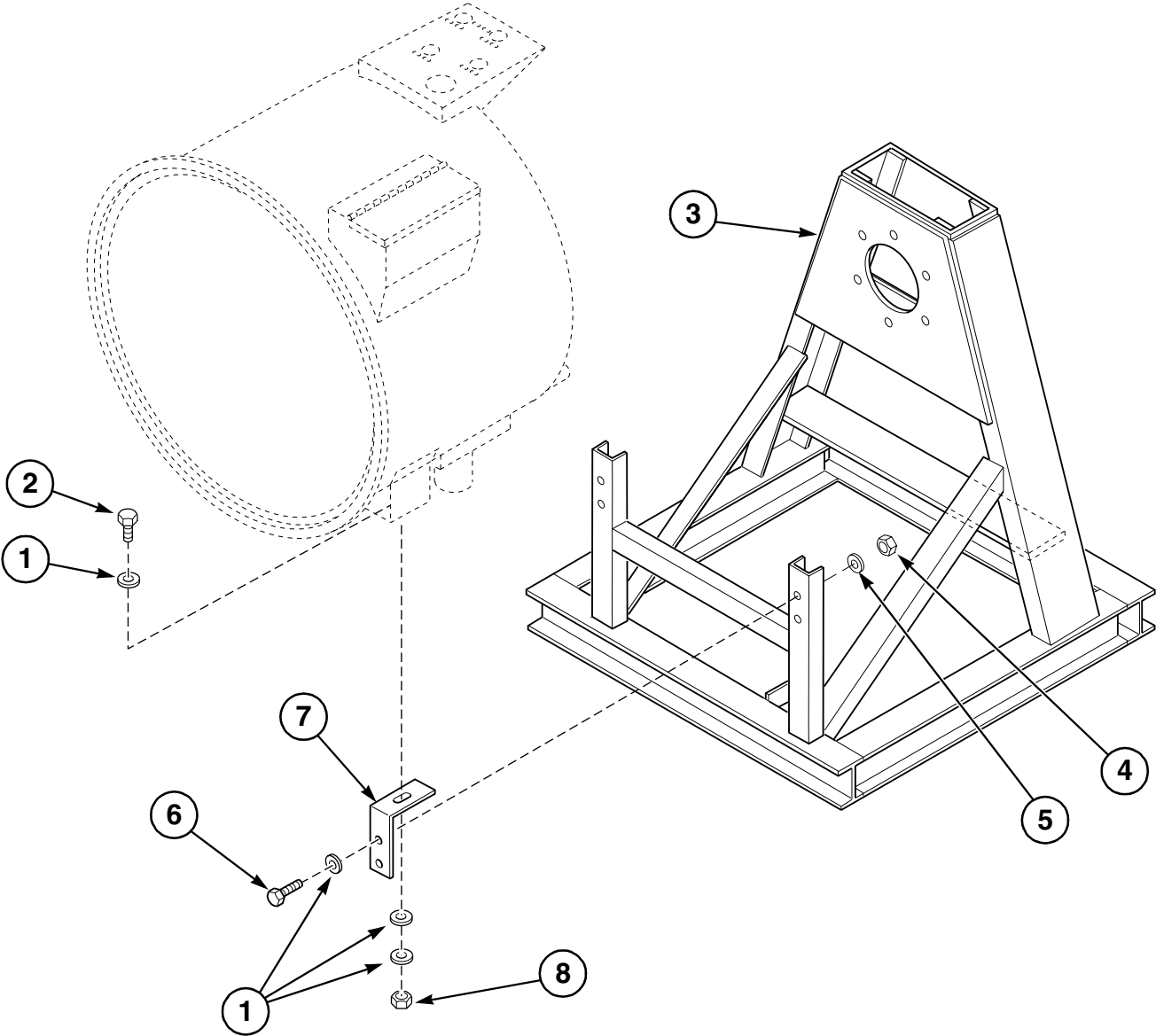
PHM614P



# Cabinet

REF	PART #	DESCRIPTION	COMMENTS
1	F430956	Screw	
2	F632342	Side Panel	Reversible
3	F430264	Timmerman Nuts	
4	F634558	Control Module Cover	
5	F170400	Gasket	Order 6 feet for the front of item 6
	F170400	Gasket	Order 4 feet for the back of item 6
	F170400	Gasket	Order 2 feet for item 2
6	F634147	Cage Wrap	
7	F430956	Screw	
8	F632347	Rear Panel	
9	F430215	Locknut	
10	F430317	Washer	
11	F432234	Screw	
12	F430211	Nut	
13	F431100	Lockwasher	
14	F630356	Front Panel	
15	F430921	Screw	
16	F150397	Extrusion Insert	Order 3 feet
17	F150407	Rub Rail	

# Frame Assembly

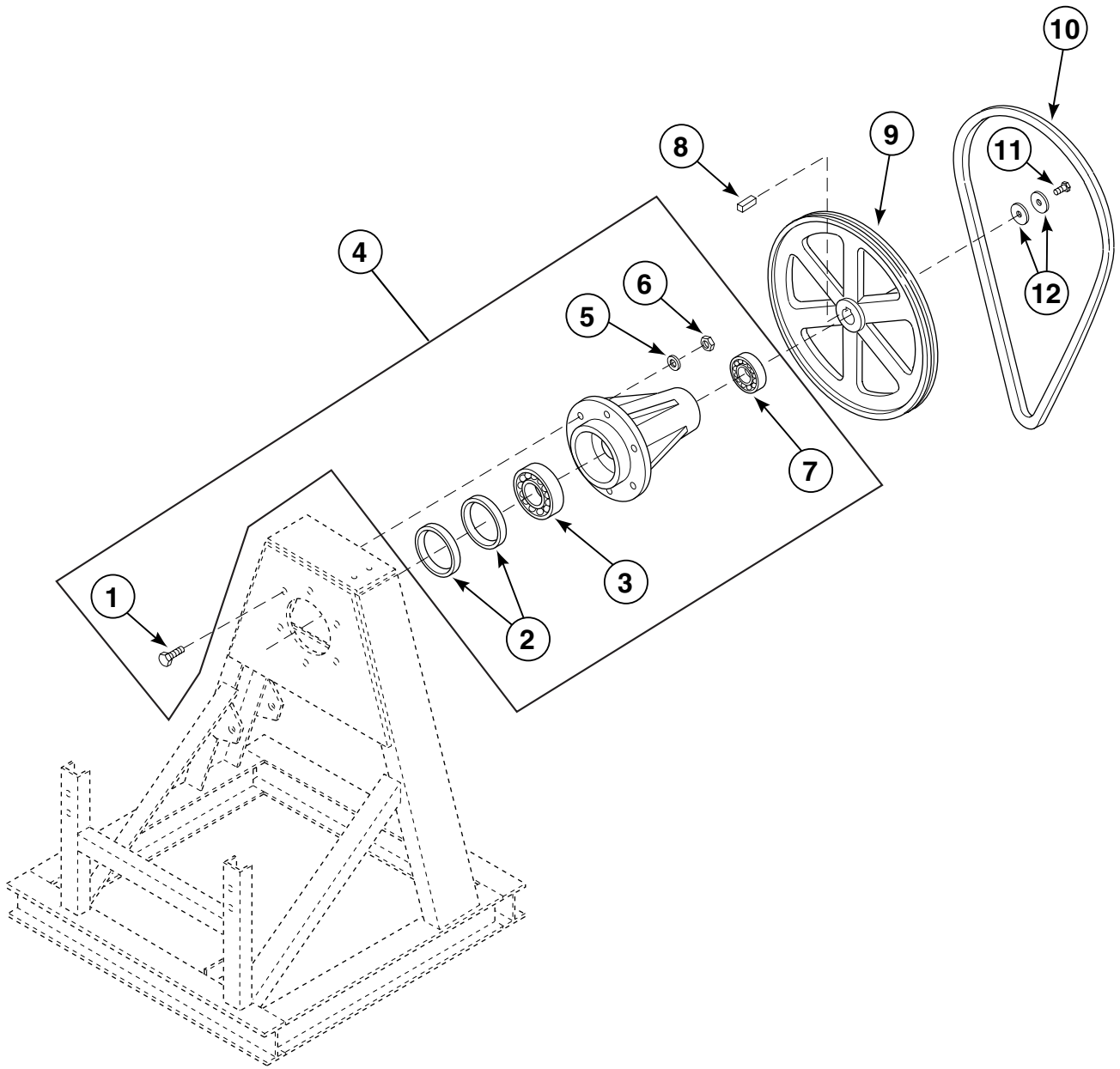


PHM890P

# Frame Assembly

REF	PART #	DESCRIPTION	COMMENTS
1	F430301	Washer	
2	F430116	Screw	
3	F603330	Frame	2-speed
	F606219	Frame	3-speed
4	F430205	Nut	
5	F430305	Lockwasher	
6	F430924	Screw	
7	F601806	Shell Mounting Bracket	
8	F430212	Nut	

# Pulley and Trunnion Assembly



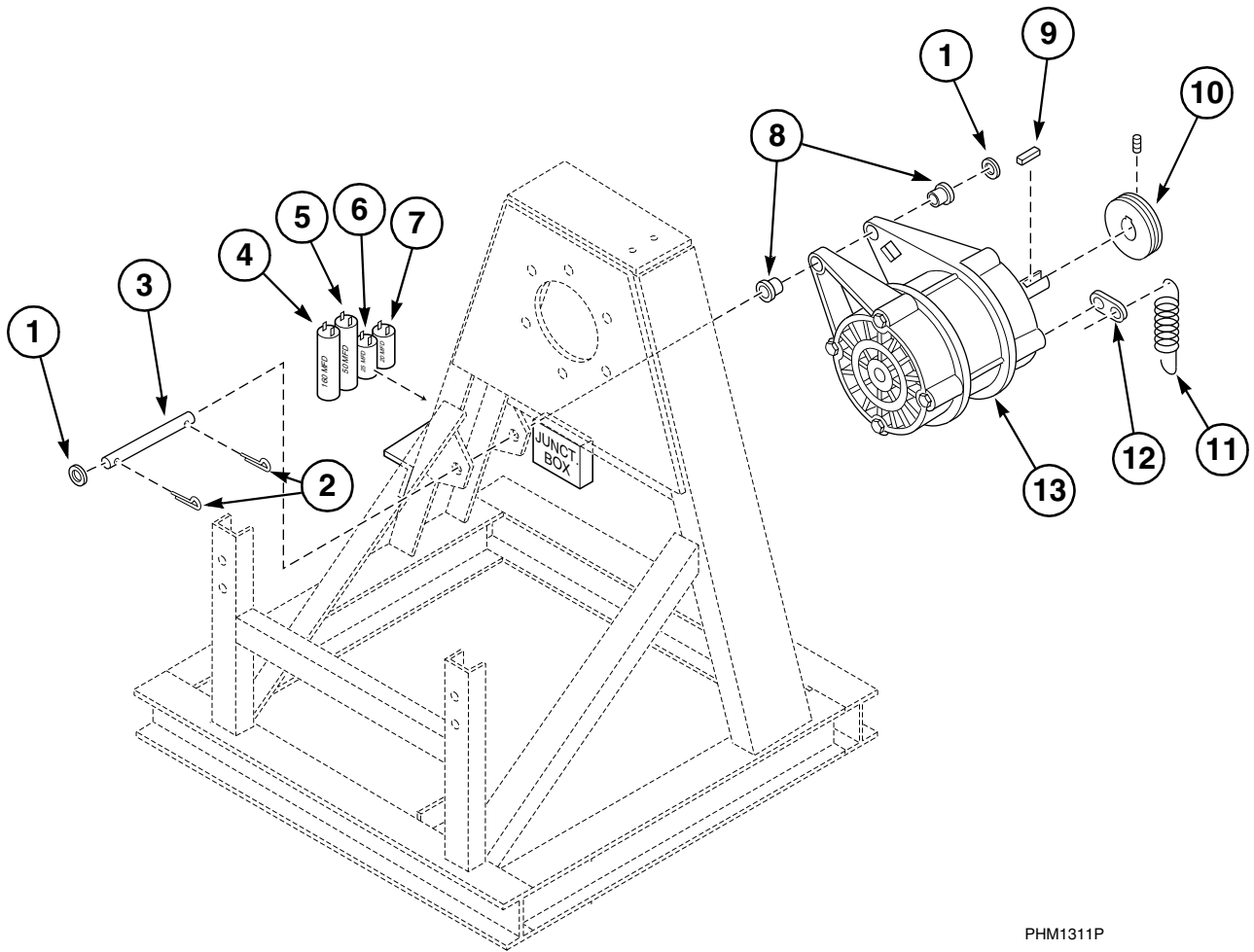
P035PE3B

## Pulley and Trunnion Assembly

REF	PART #	DESCRIPTION	COMMENTS
1	F430987	Screw	
2	F100228	Seal	2 speed
	F100229	Seal	3 speed
3	F100123	Front Bearing	2 speed; 6309 2RS
	F100122	Front Bearing	3 speed; 6312 2RS C3
4	F747002	Trunnion Kit	2 speed
	F747004	Trunnion Kit	3 speed
5	F431131	Washer	
6	F430240	Locknut	
7	F100108	Rear Bearing	2 speed; 6208-2RS
	F100123	Rear Bearing	3 speed; 6309-2RS
8	F430801	Key	
9		Pulley	Contact factory with model and serial number
10	F280341	Belt	2 speed models; 1 required; 3V-850
	F280304	Belt	3 speed models; 2 required; 3V-900
11	F430927	Screw	
12	F431126	Washer	

# Motor

2 Speed Models



PHM1311P

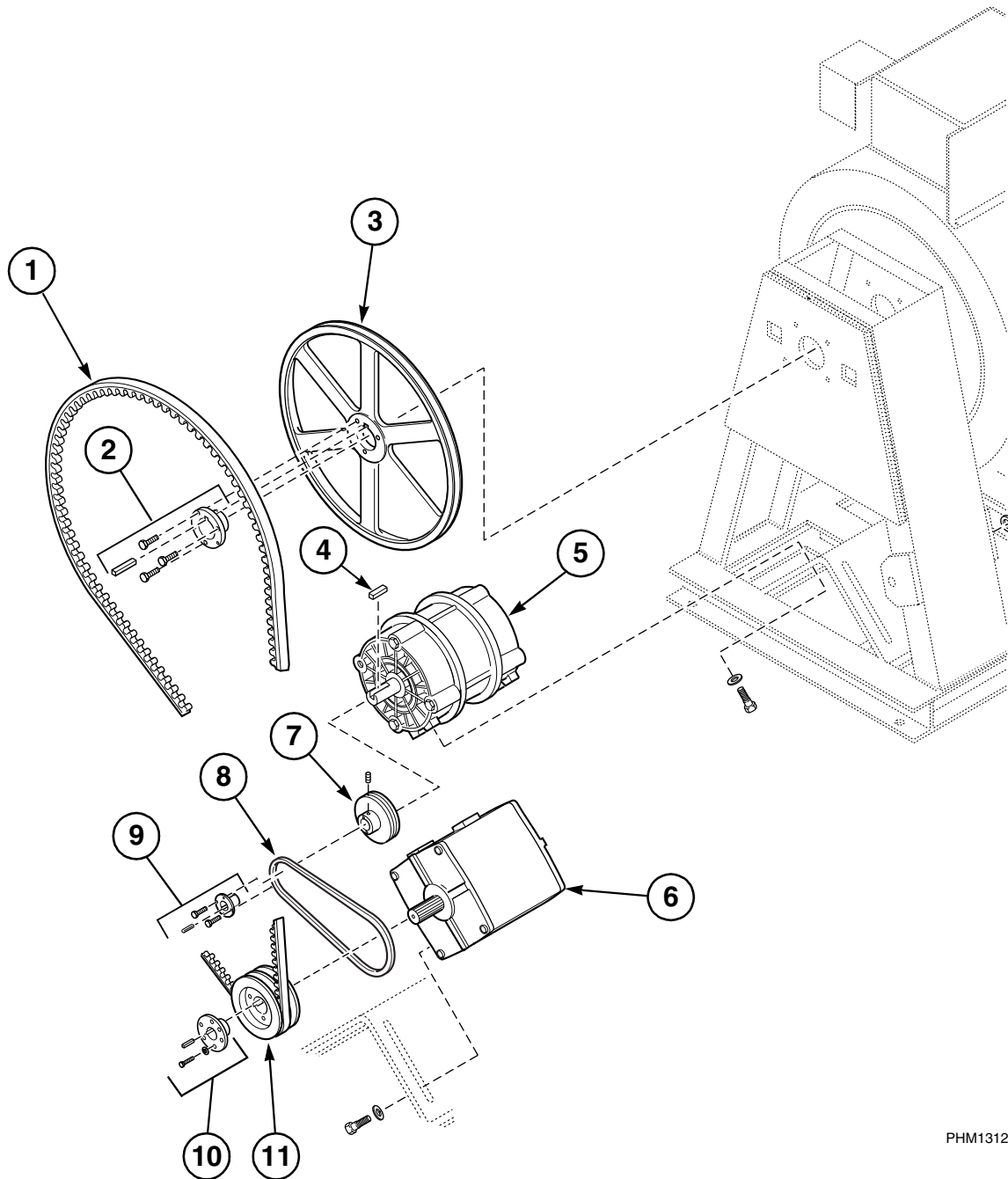
# Motor

## 2 Speed Models

REF	PART #	DESCRIPTION	COMMENTS
1	F430310	Washer	
2	F430401	Cotter Pin	
3	F603059	Motor Support Rod	2 speed; 3 phase
	F603897	Motor Support Rod	2 speed, 1 phase; 3 Speed, 1 phase
4	F730344	Capacitor	160 MFD and 15K resistor
5	F370222	Capacitor	50 MFD
6	F370223	Capacitor	25 MFD
7	F370224	Capacitor	20 MFD
8	F130311	Bushing	Nylon
9	F430802	Key	
10		Pulley	Contact factory with model and serial number
11	F310124	Spring	
12	F601515	Spring Clip	
13		Motor	Contact factory with model and serial number
	F601339	Motor Cover	

# Motor

3 Speed Models



PHM1312P



# Motor

## 3 Speed Models

REF	PART #	DESCRIPTION	COMMENTS
1	F280304	Belt	
2		Bushing	Contact factory with model and serial number
3		Pulley	Contact factory with model and serial number
4	F430802	Key	
5		Motor	Contact factory with model and serial number
6		Motor	Contact factory with model and serial number
7		Motor Pulley	Contact factory with model and serial number
8	F280319	Belt	50 Hertz; 3V355
	F280352	Belt	60 Hertz; 3VX315
9		Motor Pulley Bushing	Contact factory with model and serial number
10		Bushing	Contact factory with model and serial number
11		Pulley	Contact factory with model and serial number



# Parts Index

## A

Air Trap Hose	
F200142 .....	29

## B

Basket Assembly	
F603225-1 .....	31
F604129 .....	31
Battery	
F191101 .....	9, 11
Battery Back-up Board	
F370529 .....	11
Belt	
F280304 .....	43, 47
F280319 .....	47
F280341 .....	43
F280352 .....	47
Bracket11	
F340704 .....	7, 11, 15
Bushing	
F130311 .....	45
F140909 .....	7, 11
Buzzer	
F300202 .....	7
F300203 .....	7

## C

Cage Wrap	
F634147 .....	39
Cap	
F190300 .....	35
Cap Nut	
F431026 .....	33
Capacitor	
F370222 .....	45
F370223 .....	45
F370224 .....	45
F730344 .....	45
Chemical Supply Cup	
F150385 .....	21
F150386 .....	21
Circuit Breaker	
F350210 .....	7
Clamp	
F200206 .....	27
F200213 .....	21, 29
F200214 .....	29
F200215 .....	29
F200222 .....	27
36801 .....	19
Coil	
F380900 .....	13
F380901 .....	23
F380902 .....	23
F380917 .....	13
F380975 .....	23

F380976 .....	23
Connector	
F140309 .....	7, 11
F140311 .....	11
F140340 .....	21
F200302 .....	11, 19
F422106 .....	23
F422500 .....	7
Contact Block Switch	
F340445 .....	9
Contacto	
F330175 .....	7, 11, 17
F330177 .....	17
F330177* .....	11
F330178 .....	7, 17
F330178* .....	11
F330179 .....	7, 17
Control Module Cover	
F634558 .....	39
Control Module Decal	
F230687 .....	15
Control Subassembly	
FUW35M2-MDL .....	17
Cotter Pin	
F430401 .....	45
Cover	
F140421 .....	7, 11
F140425 .....	31
F606826 .....	7
Cycle Selector Switch	
F340413 .....	15
F340442 .....	15

## D

Decal	
F230206 .....	5
F230301 .....	5
F230302 .....	5
F230303 .....	37
F230622 .....	19
F230652 .....	5
F230677 .....	7, 11
F230678 .....	11
F230721 .....	9
F230724 .....	9
F230764-7 .....	13
F230795 .....	13
F230917-1 .....	5
F231020 .....	21
F231065 .....	5
F231083 .....	9
F231367 .....	5
F231368 .....	5
F231380 .....	5
F231436 .....	5
F231560 .....	7
F370576 .....	13
Dispenser Assembly	
F150500 .....	21
Dispenser Lid	
F150384 .....	21

Dispenser Lid Gasket F170158.....	21
Dispenser Shroud Weldment F633032-3.....	21
Door Assembly F603693.....	33
F630492.....	33
Door Box F605466.....	37
Door Box Assembly F603695.....	37
Door Box Mounting Bracket F601129.....	35
Door Box Mounting Plate Assembly F605525.....	35
Door Butt F601245.....	33
Door Gasket F170143.....	33
Door Glass Gasket F170112.....	33
Door Handle Casting F150203.....	33
Door Hinge Pin F601815.....	33
Door Hinge Strap F150209.....	33
Door Hinge Switch F340901.....	35
Door Lock Set Collar F150288.....	35
Door Solenoid F300101.....	35
F300105.....	35
F300118.....	37
F300129.....	37
Double Pole Key Switch Kit F730186.....	7
Drain Hose F150312.....	29
F150331.....	29
Drain Tee F150318.....	29
Drain Valve F380618.....	29
F380619.....	29
Drain Valve Cover F602761.....	29
Dry Supply Insert F150388.....	21
Dual Fuseholder F0350312-00.....	13

## E

Elbow F420502.....	23, 25
F422319.....	33
Emergency Stop Pushbutton F340718.....	9
Extension Arm Kit F746800.....	33
Extrusion Insert	

F150397.....	39
--------------	----

## F

Feed-thru Connector F140575.....	7
F140576.....	7
Fill Tube Assembly F605793.....	27
Filter Screen F270300.....	23, 25, 27
Flange Relay F330227.....	11, 15
F330230.....	11, 15
Flow Restrictor F380106.....	19
4-Way Supply Valve F380715.....	13, 19
F380725.....	19
4-way Supply Valve F381723.....	13
F381724.....	13
4-Way Valve Repair Kit F380938.....	19
4-way Supply Valve F380725.....	13
Frame F603330.....	41
F606219.....	41
Front Bearing F100122.....	43
F100123.....	43
Front Panel F630356.....	39
Fuse F350104.....	11, 15
F350108.....	11
F350109.....	11
F350110.....	11
F350115.....	13
Fuse Holder F350304.....	11, 15

## G

Gasket F170135.....	35
F170401.....	39
F170402.....	19
Gate Valve F380500.....	27
Glass F290202P.....	33
F290203P.....	33
Ground Terminal Lug F140734.....	7, 15

## H

Harness F604456.....	11
-------------------------	----

Harness Assembly	
F141870.....	9
Hose	
F150478.....	21
F200110.....	19
F200111.....	27
F200164.....	23, 25, 27
F200166.....	23, 25, 27
F200199.....	23
Hose Adapter	
F421908.....	23, 25, 27
F421949.....	23, 25, 27
Hose Barb	
F421930.....	23, 27
F421951.....	27

---

## I

Indicator	
F150378.....	17
Injection Nozzle	
F380300.....	21
Injection Nozzle Kit	
F730168.....	21
Input Power Block	
F140746.....	7, 11, 15
Insulator Bushing	
F140909.....	19
Interlock	
F330186.....	11, 17
Interlock Switch	
F340900.....	37

---

## K

Key	
F430801.....	43
F430802.....	45, 47

---

## L

Left Door Box	
F601522.....	35
Light	
F350409.....	15
F350412.....	7, 11, 15
F350413.....	15
F350414.....	7, 11, 15
Locknut	
F430215.....	39
F430240.....	43
Lockwasher	
F430305.....	29, 41
F431100.....	21, 33, 39
F431113.....	7, 11, 15
Lower Door Latch Bracket Casting	
F150202.....	33
Lower Door Latch Casting	
F150204.....	33

---

## M

Magnet	
F340703.....	37
Magnetic Position Switch	
F340702.....	37
Mechanical Interlock	
F330186.....	7
Module Subassembly	
FUW35P2-MDL.....	7
FUW35S2-MDL.....	11
Momentary Switch	
F340412.....	9, 13, 15
Motor Cover	
F601339.....	45
Motor Support Rod	
F603059.....	45
F603897.....	45
Mounting Bracket	
F604214.....	15

---

## N

Nipple	
F420101.....	25, 27
F420103.....	23, 25, 27
F420105.....	23, 25
Nozzle	
F380300.....	19
Nut	
F430205.....	31, 33, 41
F430211.....	29, 35, 39
F430212.....	41
F430224.....	19, 21
F430231.....	11, 15, 37
F431005.....	21, 29, 31
F431021.....	37
F431022.....	7, 11, 15, 19, 33
F431026.....	37

---

## O

O-Ring	
F170208.....	19, 21
F170215.....	21
Output CCA	
F370444P.....	7
F370449P.....	11
F370450P.....	11
Overflow Hose	
F150353.....	29
Overload Contactor	
F330403.....	7, 11, 17

---

## P

Pin	
F431201.....	35
Plate	
F230218.....	5
Plug	

F140527 .....	7, 11, 19
F170165 .....	21
F420408 .....	27
Plug Cap	
F190304 .....	21
Plunger	
F601081 .....	35
Pressure Switch	
F340328 .....	7, 11
Program Key	
F370709 .....	7
Push Handle Kit	
F746201-1 .....	37
PVC Tubing	
F422404 .....	7

## R

RC Network Filter	
F330217 .....	7, 11, 35, 37
Rear Bearing	
F100108 .....	43
F100123 .....	43
Rear Panel	
F632347 .....	39
Relay	
F330227 .....	7
F330230 .....	7
Retainer Ring	
F320100 .....	33
Ribbon Cable	
F140219 .....	9
Right Door Box	
F601523 .....	35
Rocker Switch	
F340411 .....	15
Rub Rail	
F150407 .....	39

## S

Screw	
F430103 .....	29
F430116 .....	41
F430152 .....	19
F430168 .....	33
F430500 .....	31
F430502 .....	35
F430903 .....	7, 15
F430909 .....	37
F430916 .....	7, 11, 15, 19
F430917 .....	21, 33, 35, 37
F430921 .....	39
F430922 .....	15
F430924 .....	41
F430927 .....	33, 43
F430928 .....	7, 13, 15
F430935 .....	31
F430948 .....	19
F430956 .....	39
F430987 .....	43
F430988 .....	35
F432234 .....	39

Seal	
F100228 .....	43
F100229 .....	43
Shaft Sleeve	
F0320357-00 .....	31
F792000 .....	31
Shell Assembly	
F603691 .....	31
Shell Band Assembly	
F603229-1 .....	31
Shell Front Assembly	
F603692 .....	31
Shell Front Gasket Kit	
F792000 .....	31
Shell Mounting Bracket	
F601806 .....	31, 41
Side Panel	
F632342 .....	39
Soap Injection Nozzle Kit	
F730168 .....	19
Soap Supply Cup	
F603411 .....	19
Solenoid	
F310119 .....	35
F380986 .....	25, 27
F380987 .....	25, 27
Solenoid Valve	
F380700 .....	23
F380701 .....	23
Spacer	
F432301 .....	35, 37
Spray Plumbing Assembly	
F633150 .....	25
F633150-1 .....	25
F633150-2 .....	25
F633150-3 .....	25
F633150-4 .....	25
F633150-5 .....	25
F633150-6 .....	25
F633150-7 .....	25
Spray Rinse Bracket Assembly	
F602901 .....	33
Spray Rinse Hose Kit	
F730025 .....	33
Spray Rinse Nozzle Kit	
F730077 .....	33
Spray Rinse Strap	
F602880 .....	33
Spray Tube Assembly	
F603696-7 .....	33
Spring	
F310124 .....	45
Spring Clip	
F601515 .....	45
S-Series Computer	
F370555-00P .....	13
Strain Relief Adapter Kit	
F749802 .....	21
Street Elbow	
F420500 .....	25, 27
Switch	
F340001 .....	7, 11, 15
F340002 .....	7, 11, 15
F340900 .....	35
Switch Bracket	

F630242 .....	11
Switch Extension F340913 .....	35
Switch Mounting Bracket F604213 .....	15
F630242 .....	7

F380917 .....	19
Valve Repair Kit F380914 .....	23
F380993 .....	25, 27

## T

Tag F230501 .....	5
Tee F420400 .....	27
F420401 .....	23, 25
Terminal Block F140738 .....	19
F140776 .....	19
Terminal Strip F140738 .....	7, 13, 15
Time Delay Relay F330234 .....	15
F330235 .....	15
Timer F160301 .....	15
F160304 .....	15
Timer Glass F150310 .....	17
Timer Motor F160538 .....	15
F160539 .....	15
Timmerman Nuts F430264 .....	39
Top Latch Bracket Casting F150201 .....	33
Transformer F360124 .....	31
Trim F170400 .....	19, 21
Trunnion Kit F747002 .....	43
F747004 .....	43
Tube Connector F422106 .....	25
Tubing F422404 .....	15

## U

U-Bolt Clamp F200401 .....	23, 25, 27
-------------------------------	------------

## V

Vacuum Breaker Valve F380800 .....	23, 25
Valve F380801 .....	27
F381702 .....	25, 27
F381703 .....	25, 27
Valve Coil F380900 .....	19

## W

Washer F200500 .....	23, 25, 27
F430301 .....	31, 41
F430310 .....	45
F430311 .....	7, 11, 15
F430317 .....	31, 39
F431108 .....	37
F431118 .....	33
F431126 .....	43
F431131 .....	43
F431133 .....	21
F431147 .....	21, 29
Water Level Switch Bracket F630242 .....	15
Water Press Switch F340328 .....	15
WE-6 Microcomputer F370534-00P .....	9