

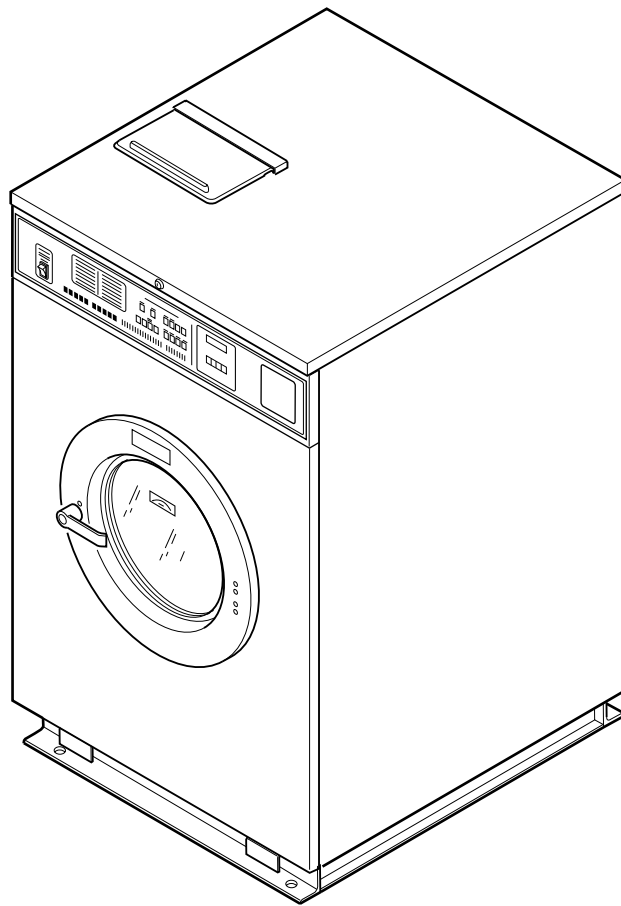
Washer-Extractors

Cabinet Hardmount*

Variable-Speed Models

SC18VNV	UC18VNV
SC27VNV	UC27VNV
SC35VNV	UC35VNV
SC50VNV	UC50VNV

*This manual applies to models of design 1-4 only



CHM1323C

Table of Contents

Title	Page
Parts Ordering Information	2
Nameplate Location	2
Model Identification	3
Decals	4
Graphic Panel and Controls.....	6
Control Module	8
AC Drive	10
Dispenser and Valve Assembly	12
Mueller Valve Assembly	14
Dispenser and Valve Assembly	16
Elbi Valve Assembly	18
Automatic Supply Dispenser.....	20
Filter (Optional) and Supply Hose.....	22
Drain Valve, Hoses and Air Trap	24
Drain Valve, Hoses and Air Trap	26
Door	28
Front Panel and Extrusion Panel	30
Panels and Bezel Style Inner Front Panel	32
Panels and Bezel Style Inner Front Panel	34
Door Lock	36
Door Lock	38
Door Lock	40
Shell Front, Cylinder, Outer Shell and Trunnion	42
Motor, Pulley and Belt.....	44
Steam Heat Assembly	46
Electric Heat Assembly	48
Parts Index.....	51

© Copyright 2002, Alliance Laundry Systems LLC

All rights reserved. No part of the contents of this book may be reproduced or transmitted in any form or by any means without the expressed written consent of the publisher.

Parts Ordering Information

Alliance Laundry Systems is not responsible for personal injury or property damage resulting from improper service. Review all service information before beginning repairs.

If literature or replacement parts are required, contact the source from whom the machine was purchased or contact Alliance Laundry Systems at (920) 748-3950 for the name of the nearest authorized parts distributor.

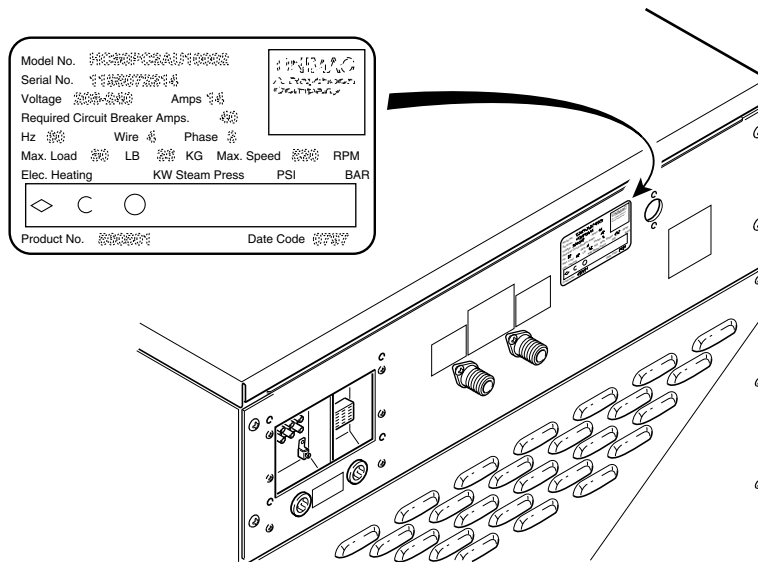
For technical assistance, call either of the following numbers:

(850) 718-1026
Marianna, Florida

(920) 748-3121
Ripon, Wisconsin

Nameplate Location

When calling or writing about your product, be sure to mention model and serial numbers. Model and serial numbers are located on nameplate(s) as shown.



B155P

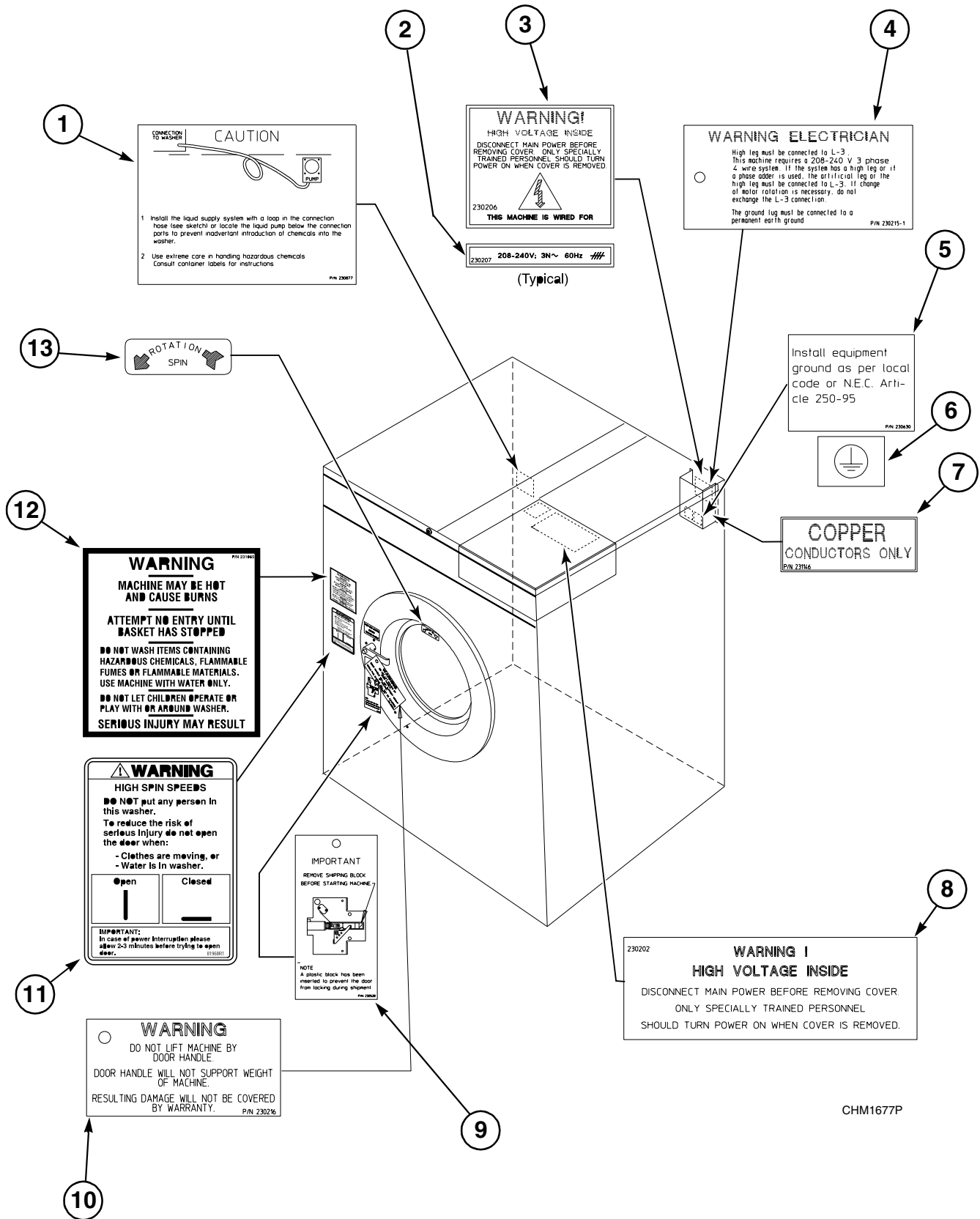
Model Identification

Information in this manual is applicable to these washer-extractors*:

SC18VNV	UC18VNV
SC27VNV	UC27VNV
SC35VNV	UC35VNV
SC50VNV	UC50VNV

*This manual applies to models of design 1-4 only

Decals



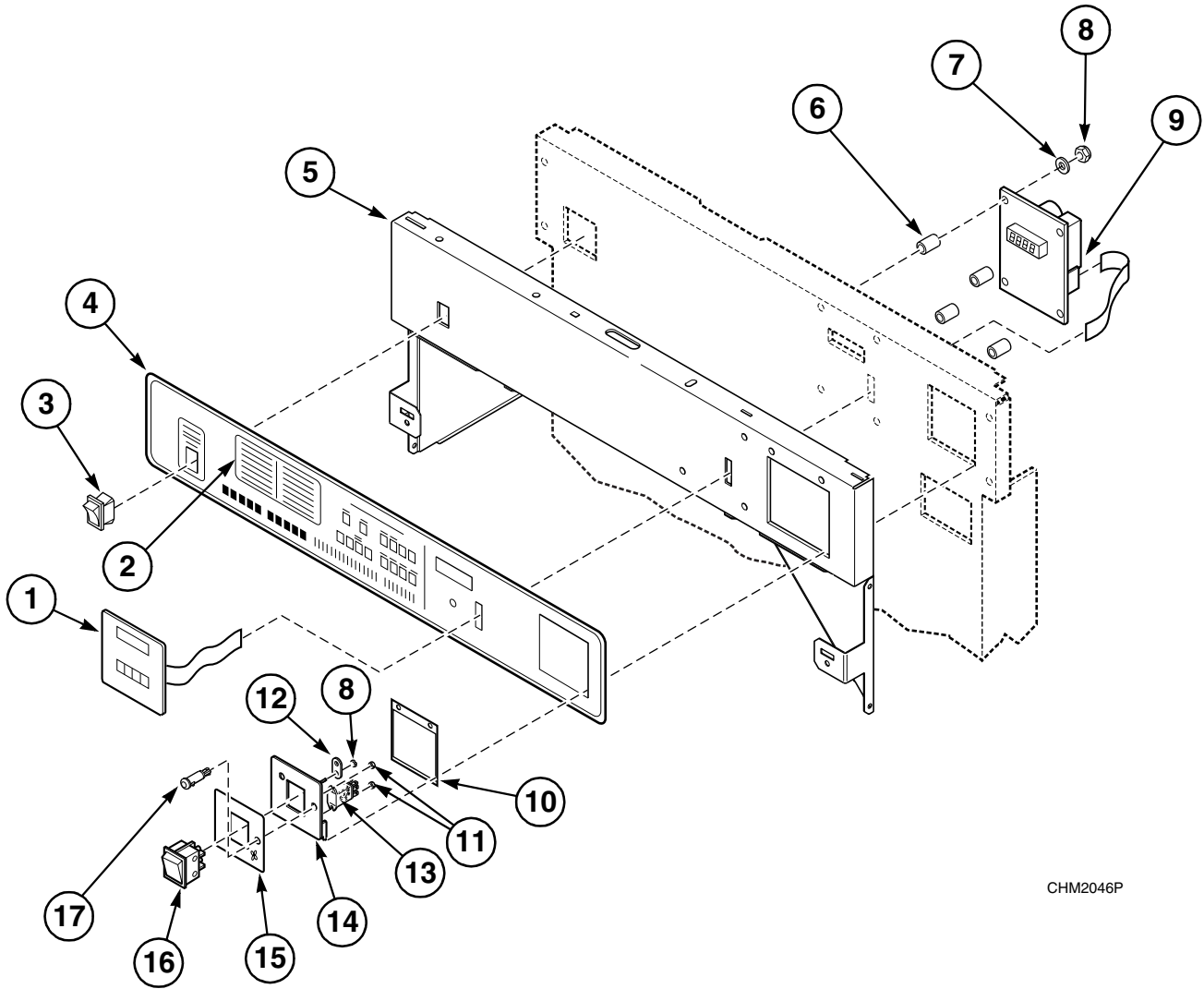
CHM1677P

Decals

REF	PART #	DESCRIPTION	COMMENTS
1	F230877	Decal	
2	F230207	Decal	
3	F230206	Decal	
4	F230215-1	Decal	
5	F230630	Decal	
6	F230739	Decal	
7	F231146	Decal	
8	F230202	Decal	
9	F230528	Tag	
10	F230216	Decal	
11	F231263	Decal	
12	F231065	Decal	
13	F230693	Decal	

Graphic Panel and Controls

Without Extrusion; Design 4 Models; Refer to Pages 30-31 for Design 1-3 Extrusion Panels and Control Panel Decals



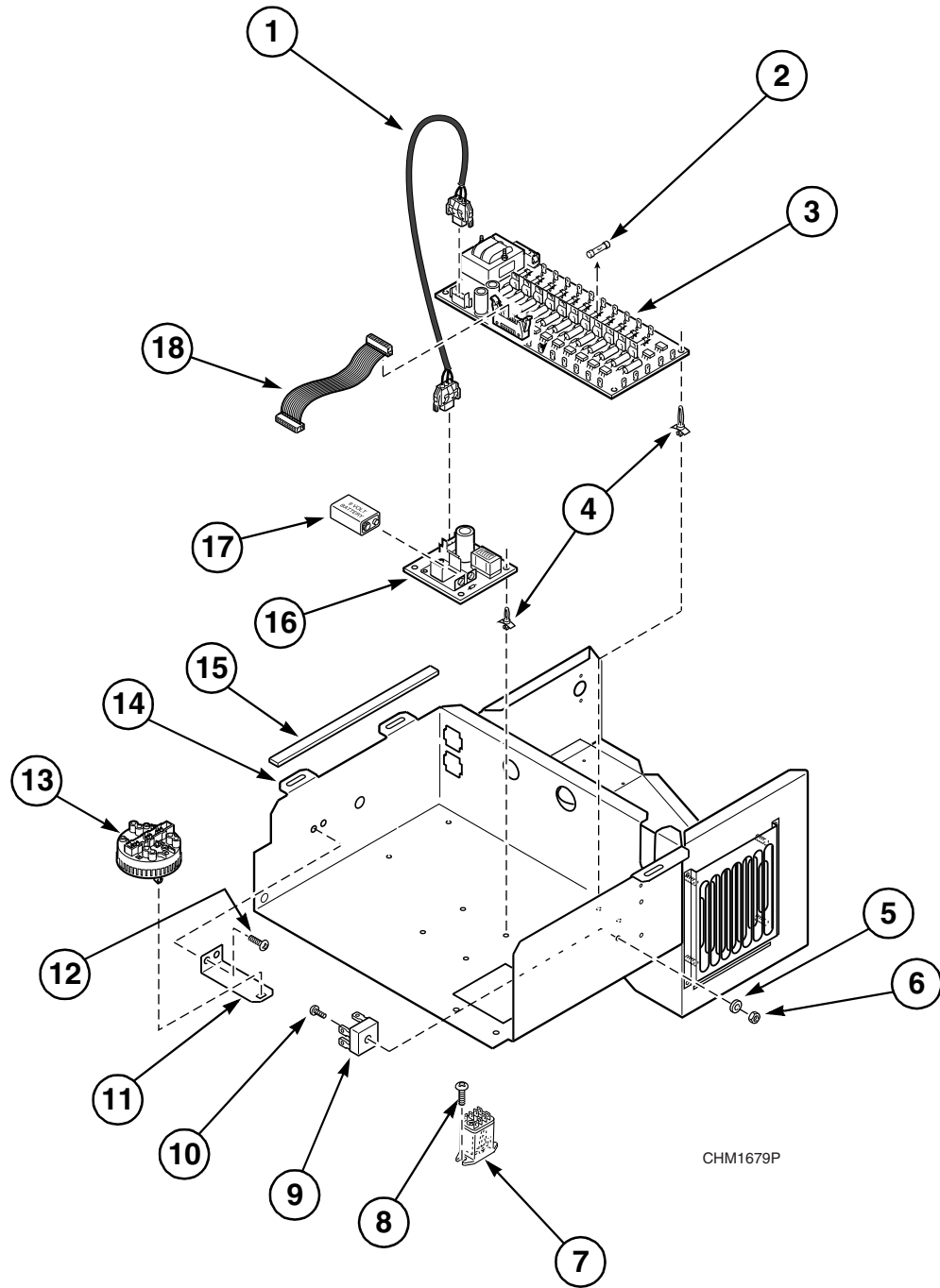
CHM2046P

Graphic Panel and Controls

Without Extrusion; Design 4 Models; Refer to Pages 30-31 for Design 1-3 Extrusion Panels and Control Panel Decals

REF	PART #	DESCRIPTION	COMMENTS
	F633510	Switch Mounting Panel Assembly	
1	F370576	Keypad	UC
	F340608	Keypad	SC
2	F231402	Overlay	UC; U.S. models only
	F231404	Overlay	SC; U.S. models only
3	F340412	Momentary Switch	
4	F231498	Control Panel Decal	UC18; Design 4
	F231497	Control Panel Decal	UC27; Design 4
	F231496	Control Panel Decal	UC35; Design 4
	F231495	Control Panel Decal	UC50; Design 4
	F231467	Control Panel Decal	SC18; Design 4
	F231468	Control Panel Decal	SC27; Design 4
	F231469	Control Panel Decal	SC35; Design 4
	F231470	Control Panel Decal	SC50; Design 4
5	F634808-2	Control Panel Assembly	SC18 and UC18
	F634824-2	Control Panel Assembly	SC27 and UC27
	F634827-2	Control Panel Assembly	SC35 and UC35
	F634830-2	Control Panel Assembly	SC50 and UC50
6	F401206	Spacer	
7	F430325	Washer	
8	F430232	Nut	
9	F370313-60P	Microcomputer	SC18, UC18, SC27, UC27, SC35 and UC35
	F370313-13	Microcomputer	SC50 and UC50
10	F0634819-00	Coin Meter Mounting Shim	
11	F430231	Nut	
12	F601515	Clip	
13	F330227	Relay	
14	F633540	Switchplate Mounting Subassembly	
15	F231381	Decal	Switchplate panel
16	F340411	Rocker Switch	Red
17	F350411	Light	Amber

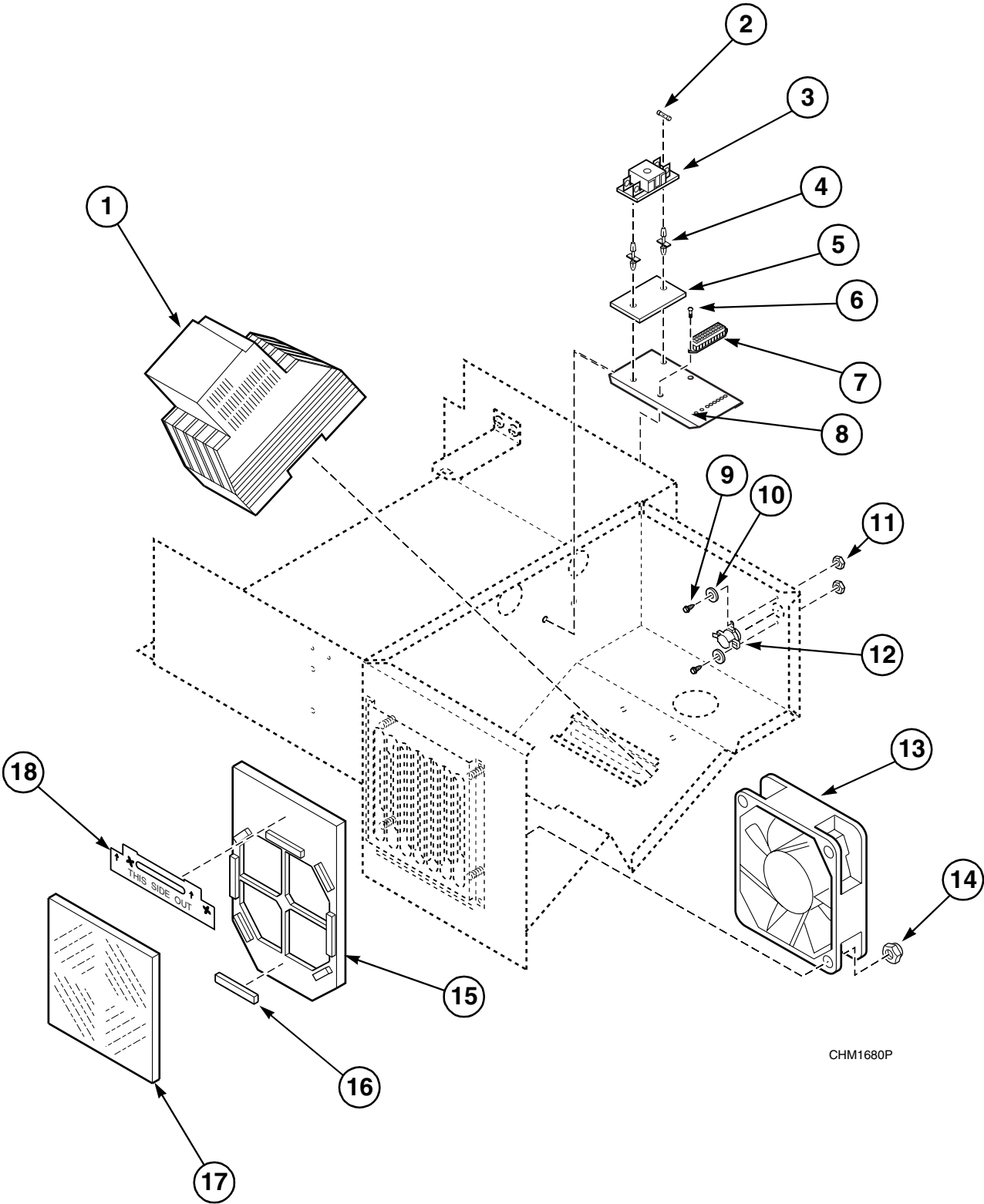
Control Module



Control Module

REF	PART #	DESCRIPTION	COMMENTS
1	F140249	Harness	Used before 5/15/00
2	F350109	Fuse	
3	F370314	Output CCA	Requires items 1, 16 and 17; Used before 5/15/00
	F370447P	Output CCA	Does not require items 1, 16 and 17; Used after 5/15/00
4	F180501	Standoff	
5	F430325	Washer	
6	F430232	Nut	
7	F330227	Flange Relay	
8	F430482	Screw	
9	F370310	Bridge Rectifier	
10	F430916	Screw	
11	F631920	Water Pressure Switch Mounting Bracket	
12	F430482	Screw	
13	F340315	Water Pressure Switch	SC18 and UC18 without heat; SC27 and UC27
	F340312	Water Pressure Switch	SC18 and UC18; With heat
	F340328	Water Pressure Switch	SC35, UC35, SC50 and UC50
14	F633380-3	Control Box Assembly	Non CE; Used before 5/15/00
	F633380-4	Control Box Assembly	CE; Used before 5/15/00
	F0635628-03	Control Box Assembly	Non-CE; Used after 5/15/00
	F0635628-04	Control Box Assembly	CE; Used after 5/15/00
15	F170128	Sponge Rubber	Order 2 feet
16	F370529	Battery Adapter Board	Used before 5/15/00
17	F191101	Battery	9-volt; Used before 5/15/00
18	F140247	Cable	26 pin; 8 inches

AC Drive



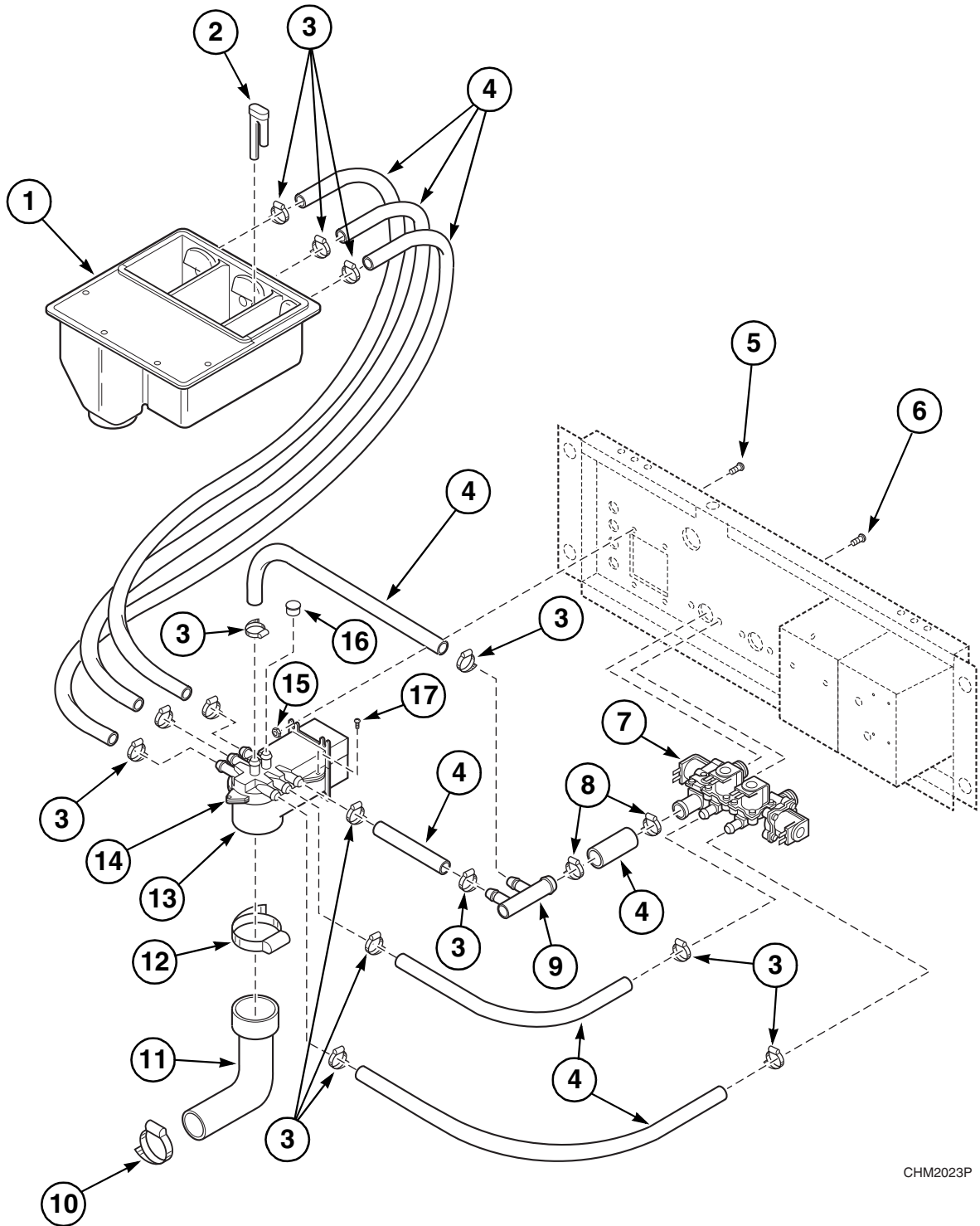
CHM1680P

AC Drive

REF	PART #	DESCRIPTION	COMMENTS
1	F798716	AC Drive Kit	SC18, UC18, SC27 and UC27; 230 Volt; Used before 8/2/99
	F370855	AC Drive	SC18, UC18, SC27 and UC27; 230 Volt; Used after 8/2/99
	F798717	AC Drive Kit	SC18, UC18, SC27 and UC27; 460 Volt; Used before 8/2/99
	F370856	AC Drive	SC18, UC18, SC27 and UC27; 460 Volt; Used after 8/2/99
	F798718	AC Drive Kit	SC35, UC35, SC50 and UC50; 230 Volt; Used before 8/2/99
	F370857	AC Drive	SC35, UC35, SC50 and UC50; 230 Volt; Used after 8/2/99
	F798719	AC Drive Kit	SC35, UC35, SC50 and UC50; 460 Volt; Used before 8/2/99
	F370858	AC Drive	SC35, UC35, SC50 and UC50; 460 Volt; Used after 8/2/99
2	F350110	Fuse	1 Amp
	F350117	Fuse	2 Amp
3	F0350312-10	Fuseholder	
4	F180501	Standoff	
5	F231393	Decal	Fuse; 1 Amp
	F231394	Decal	Fuse; 2 Amp
6	F430482	Screw	
7	F140768	Terminal Strip	
8	F633322	Fuseholder Bracket	
9	F430928	Screw	
10	F431113	Lockwasher	
11	F431022	Nut	
12	F290115	Thermostat	
13	F110106	Muffin Fan	
14	F431016	Nut	
15	F633321	Filter-Cooling Fan Slide	
16	F140639P	Velcro	Order 2 feet
17	F0270321-00	Filter	
18	F231377	Decal	Filter handle

Dispenser and Valve Assembly

With Mueller Valves; Used Before 8/3/98



CHM2023P

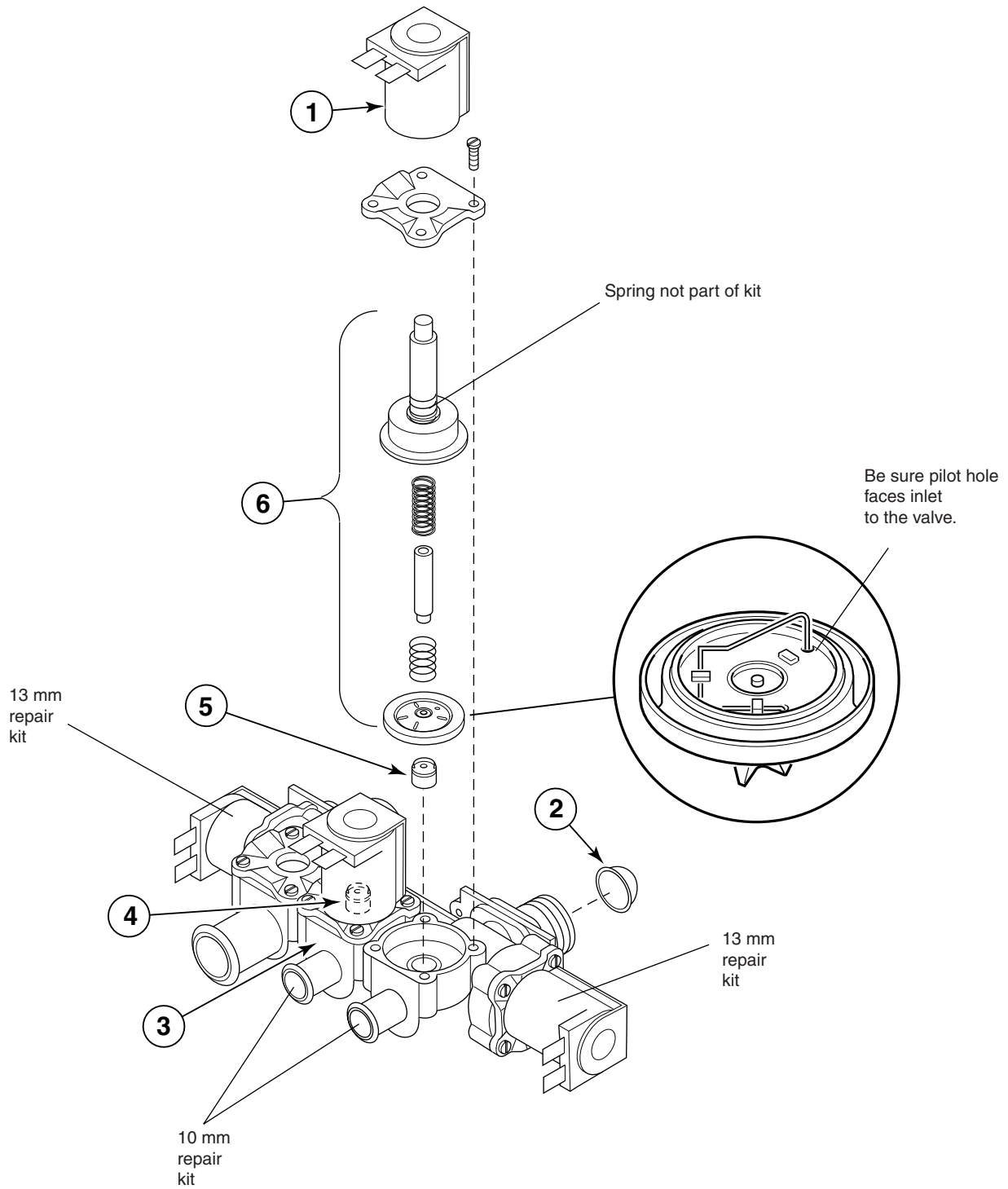
Dispenser and Valve Assembly

With Mueller Valves; Used Before 8/3/98

REF	PART #	DESCRIPTION	COMMENTS
1	F602374-2	Supply Dispenser	
2	F150390	Siphon Tube	
3	F200207	Clamp	#8
4	F200108	Hose	Order 8 feet
5	F430917	Screw	
6	F430948	Screw	
7	F380740	3-Way Mixing Valve	Standard thread
	F380741	3-Way Mixing Valve	Metric thread
	F380900	Solenoid	
8	F200205	Clamp	#10
9	F150371	Manifold	
10	F200219	Clamp	#48
11	F150321	Vacuum Breaker Hose	SC18, UC18, SC35 and UC35
	F150372	Vacuum Breaker Hose	SC27 and UC27
	F150340	Vacuum Breaker Hose	SC50 and UC50
12	F200213	Clamp	#40
13	F150330	Vacuum Breaker Bottom	
14	F0150329-00	Vacuum Breaker Top	
15	F430231	Nut	
16	F190301	Plug	
17	F430177	Screw	

Mueller Valve Assembly

Used Before 8/3/98



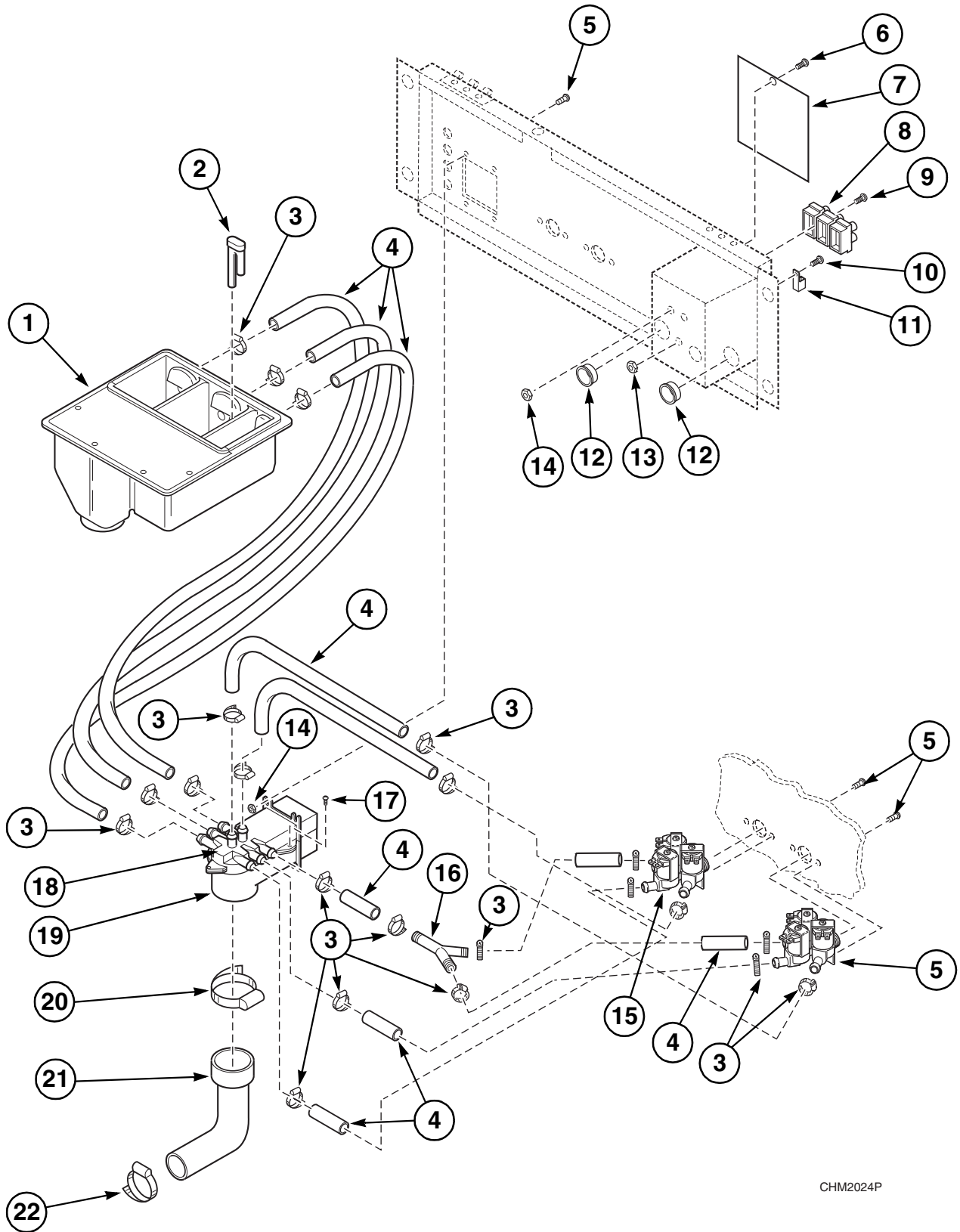
Mueller Valve Assembly

Used Before 8/3/98

REF	PART #	DESCRIPTION	COMMENTS
1	F380900	Coil	
2	F270200	Strainer	
3	F380740	3-Way Mixing Valve	Standard thread
	F380741	3-Way Mixing Valve	Metric thread
4	F380958	Flow Restrictor	4 millimeters
5	F380957	Flow Restrictor	2.8 millimeters
6	F380954	Valve Repair Kit	10 millimeters; Top
	F380939	Valve Repair Kit	13 millimeters; Ends

Dispenser and Valve Assembly

With Elbi Valves; Used After 8/3/98



CHM2024P

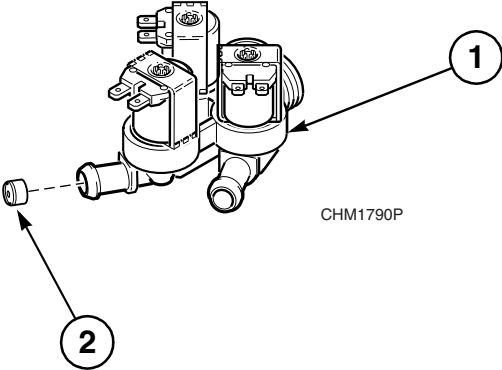
Dispenser and Valve Assembly

With Elbi Valves; Used After 8/3/98

REF	PART #	DESCRIPTION	COMMENTS
1	F602374-2	Supply Dispenser	
2	F150390	Siphon Tube	
3	F200207	Clamp	#8
4	F200108	Hose	Order 8 feet
5	F430948	Screw	
6	F430174	Screw	
7	F602533	Box Cover	
8	F140748	Input Power Block	2 terminal
	F140747	Input Power Block	3 terminal
	F140770	Input Power Block	3 terminal; Electric heat only
	F140746	Input Power Block	4 terminal
9	F430938	Screw	
11	F140734	Ground Lug	
10	F430903	Screw	
12	F140909	Bushing	
13	F430232	Nut	
14	F430231	Nut	
15	F381720	Valve Assembly	Standard thread
	F381725	Valve Assembly	Metric thread
16	F422808	"Y" Connector	
17	F430177	Screw	
18	F0150329-00	Vacuum Breaker Top	
19	F150330	Vacuum Breaker Bottom	
20	F200219	Clamp	#48
21	F150321	Vacuum Breaker Hose	SC18, UC18, SC35 and UC35
	F150372	Vacuum Breaker Hose	SC27 and UC27
	F150340	Vacuum Breaker Hose	SC50 and UC50
22	F200213	Clamp	#40

Elbi Valve Assembly

Used After 8/3/98

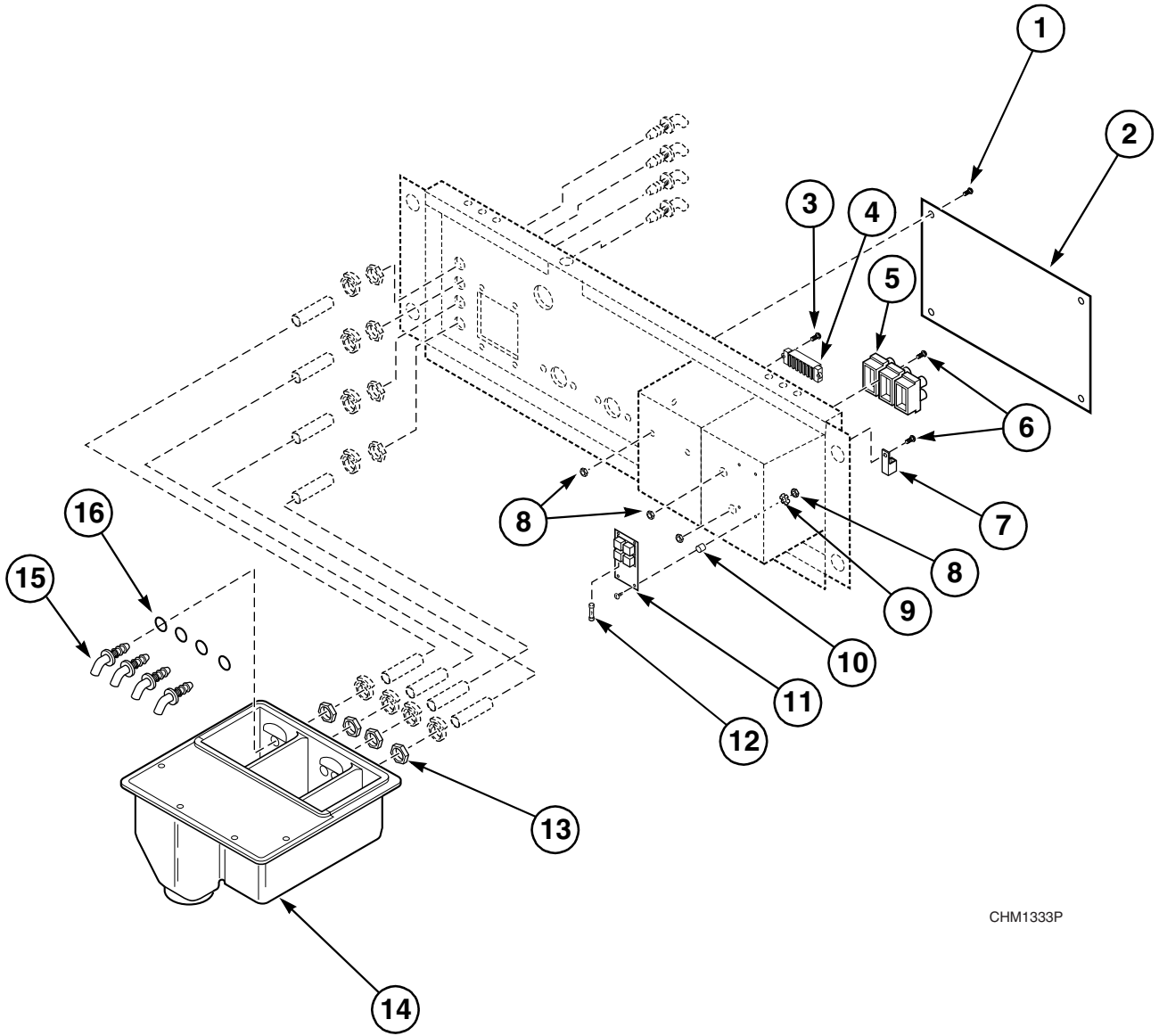


Elbi Valve Assembly

Used After 8/3/98

REF	PART #	DESCRIPTION	COMMENTS
	G581P3	Diaphragm and Guide Kit	Kit includes G300202 (Diaphragm) and G300194 (Armature Guide)
1	F381720	3-Way Valve	Standard thread
	F381725	3-Way Valve	Metric thread
2	F380119	Flow Restrictor	

Automatic Supply Dispenser

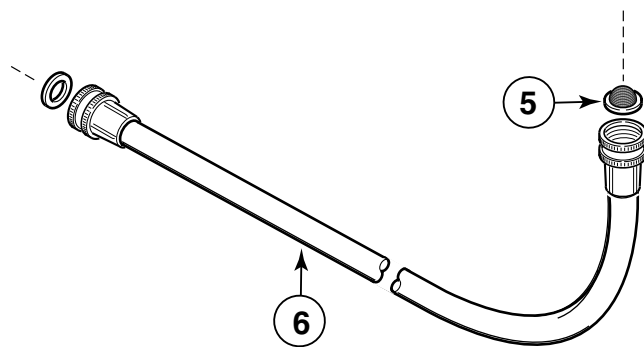
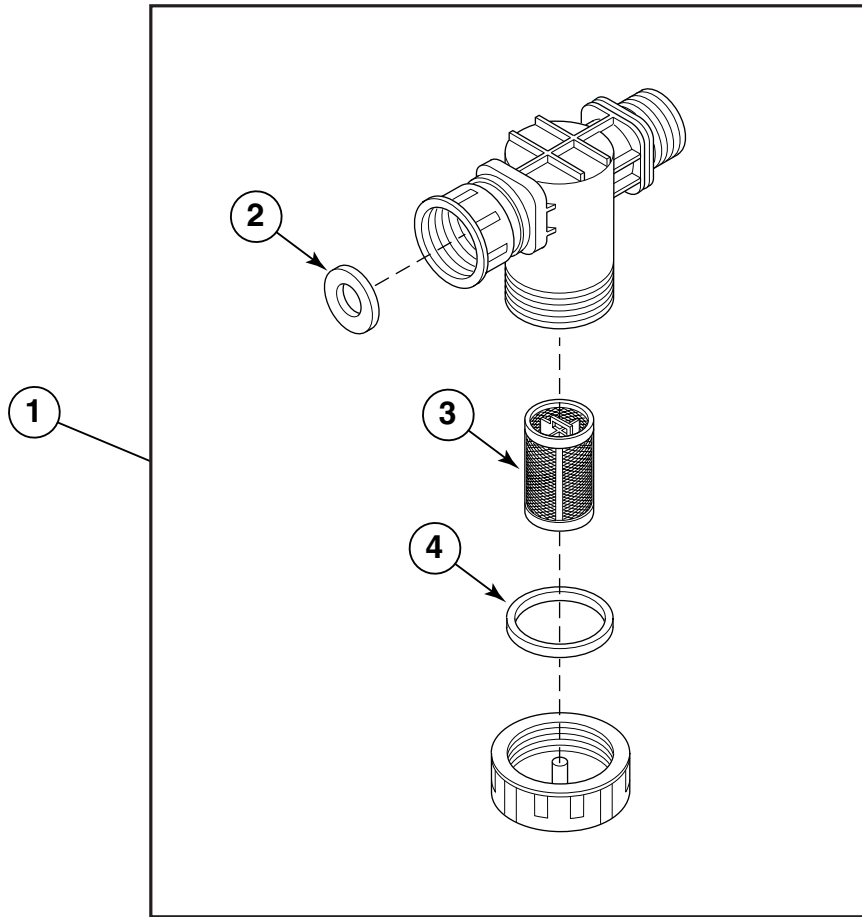


CHM1333P

Automatic Supply Dispenser

REF	PART #	DESCRIPTION	COMMENTS
	F730168	Nozzle Kit	Includes items 13, 15 and 16
1	F430174	Screw	
2	F633260	Junction Box Cover	
3	F430938	Screw	
4	F140768	Terminal	10 pole
5	F140748	Input Power Block	2 terminal
	F140747	Input Power Block	3 terminal
	F140770	Input Power Block	3 terminal; Electric heat only
6	F430903	Screw	
7	F140734	Ground Lug	
8	F431022	Nut	
9	F431113	Lockwasher	
10	F180506	Standoff	
11	F0350312-00	Dual Fuseholder	
12	F350115	Fuse	
13	F430224	Nut	
14	F602374-2	Supply Dispenser	
15	F380300	Nozzle	
16	F170208	O-ring	

Filter (Optional) and Supply Hose

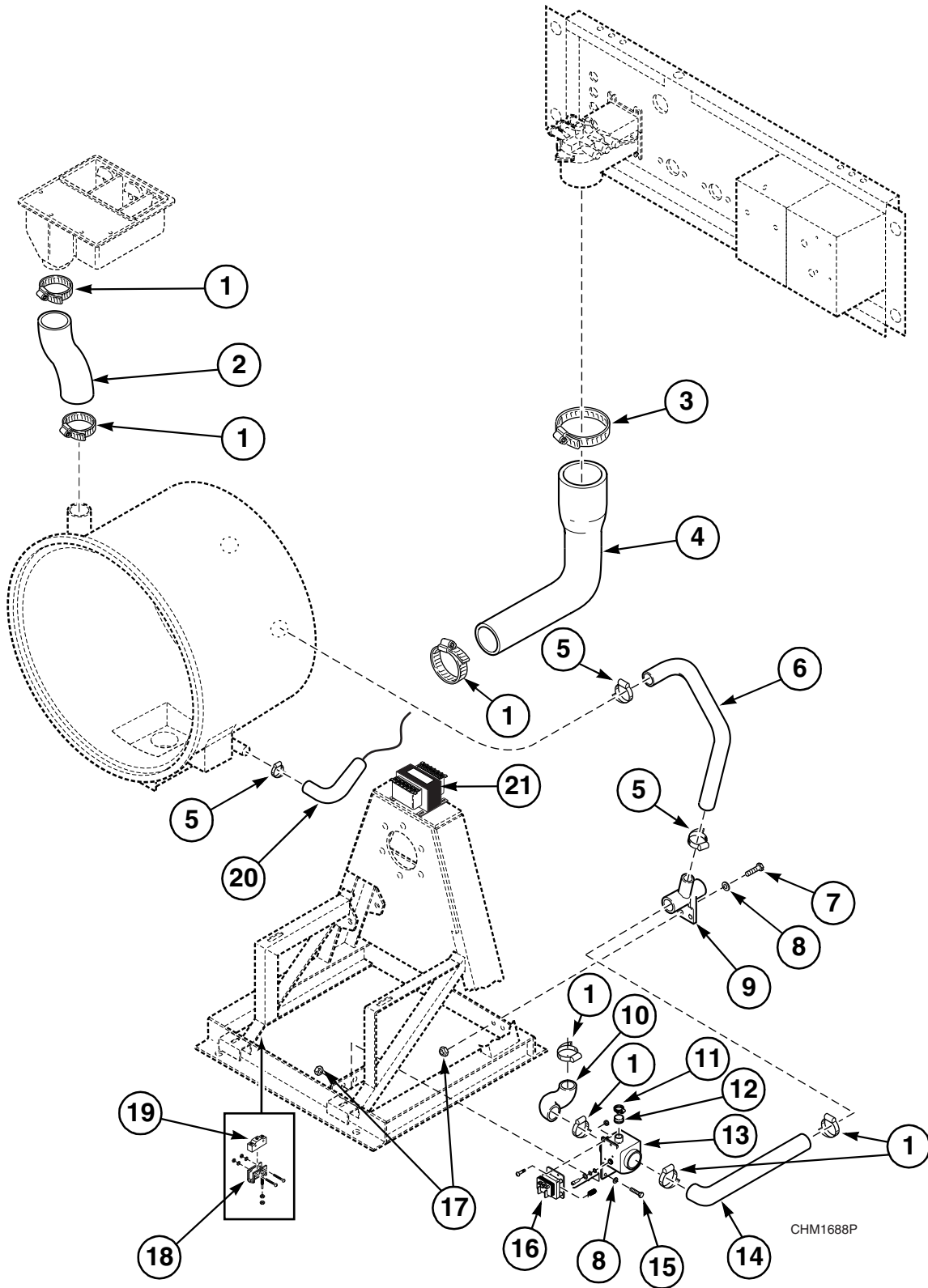


B091PE3B

Filter (Optional) and Supply Hose

REF	PART #	DESCRIPTION	COMMENTS
1	F270306	Filter	Hose thread
	F270305	Filter	Metric thread
2	F200500	Washer	
3	F270406	Replacement Filter	.11 millimeter
	F270405	Replacement Filter	.25 millimeter
4	F270407	Gasket	
5	F270300	Filter Screen	
6	F200116	Hose	3/8 inch; Hose thread
	F200164	Hose	3/4 inch; Hose thread
	F200165	Hose	1/2 inch; Metric thread
	F200166	Hose	3/4 inch; Metric thread

Drain Valve, Hoses and Air Trap

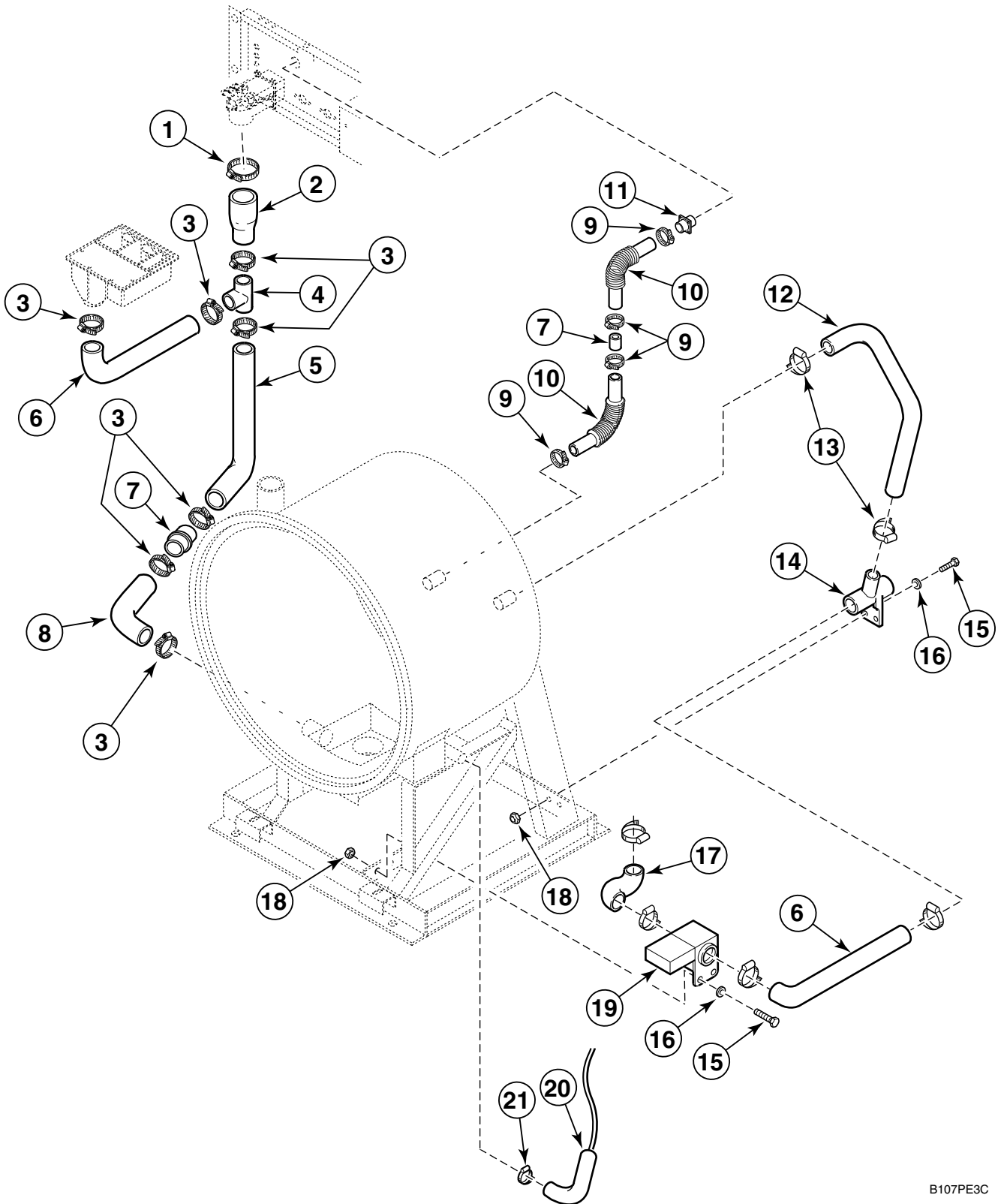


Drain Valve, Hoses and Air Trap

REF	PART #	DESCRIPTION	COMMENTS
1	F200213	Clamp	#40
2	F150309	Hose	
3	F200219	Clamp	#48
4	F150321	Hose	SC18, UC18, SC35 and UC35
	F150372	Hose	SC27 and UC27
	F150340	Hose	SC50 and UC50
5	F200205	Clamp	#10
6	F150317	Overflow Hose	SC18 and UC18
	F150332	Overflow Hose	SC27, UC27, SC35 and UC35
	F150417	Overflow Hose	SC50 and UC50
7	F430927	Screw	SC18, UC18, SC27, UC27, SC35 and UC35
	F430103	Screw	SC50 and UC50
8	F430317	Washer	
9	F150318	Drain Tee	
10	F150312	Front Drain Hose	SC18, UC18, SC27, UC27, SC35 and UC35
	F150400	Front Drain Hose	SC50 and UC50
11	F200215	Clamp	SC50 and UC50 only; #28
12	F150352	Overflow Plug	SC50 and UC50 only
13	F380618	Drain Valve Assembly	SC18, UC18, SC27, UC27, SC35 and UC35; 2 inch
	F380628	Drain Valve Assembly	SC50 and UC50; 3 inch
14	F150311	Hose	SC18 and UC18
	F150331	Hose	SC27, UC27, SC35 and UC35
	F150356	Hose	SC50 and UC50; For machines with rear-mounted drain valves
	F150399	Hose	SC50 and UC50; For machines with front-mounted drain valves
15	F430103	Screw	
16	F380943	Motor	
17	F430215	Nut	
18	F340913	Switch Extension	SC35, UC35, SC50 and UC50 only
19	F340901	Switch	SC35, UC35, SC50 and UC50 only
20	F200142	Air Trap Hose	SC27 and UC27 only
21	F360124	Transformer	

Drain Valve, Hoses and Air Trap

Old Style SC27 and UC27



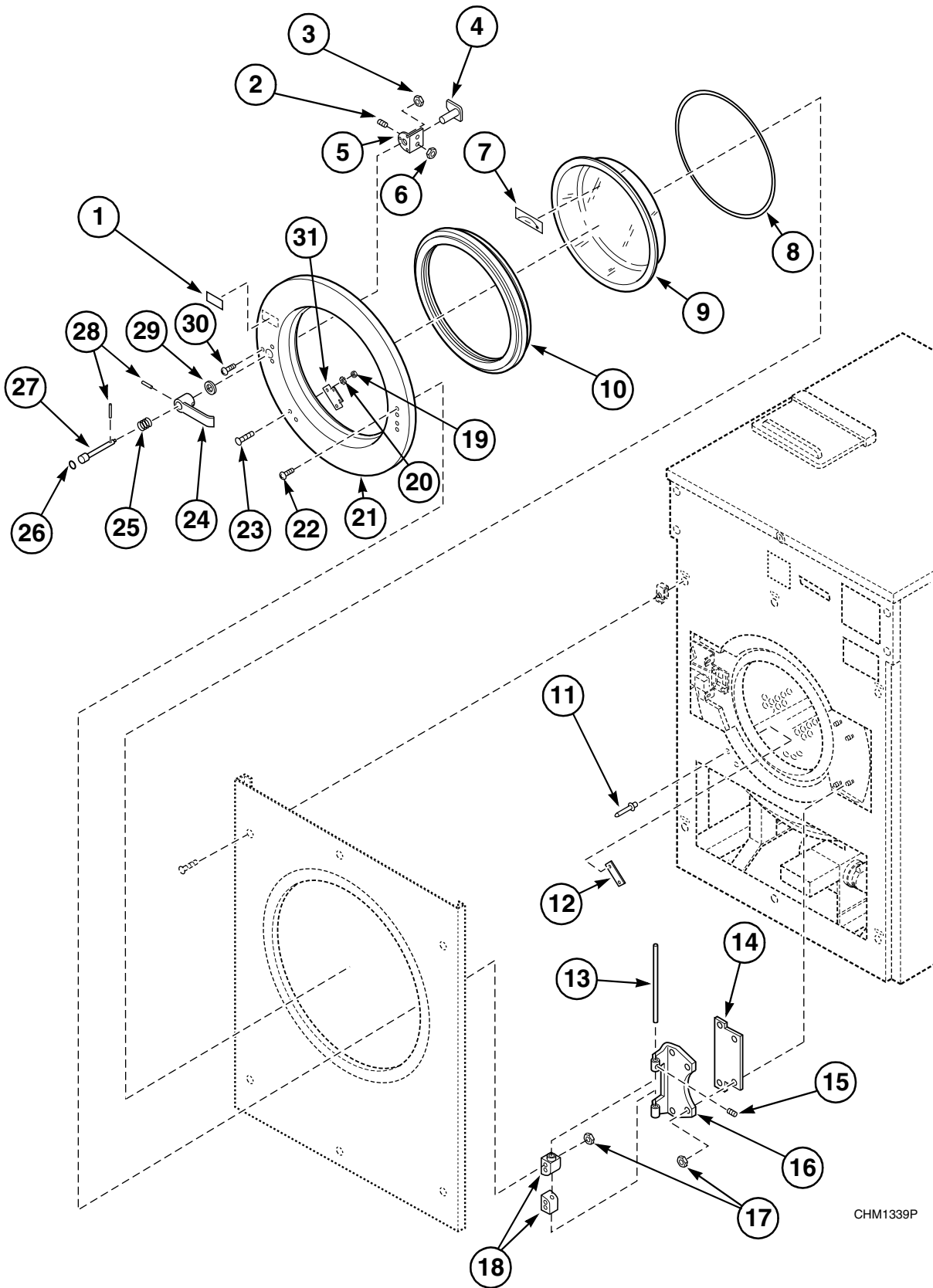
B107PE3C

Drain Valve, Hoses and Air Trap

Old Style SC27 and UC27

REF	PART #	DESCRIPTION	COMMENTS
1	F200219	Clamp	#48
2	F150321	Vacuum Breaker Hose	
3	F200213	Clamp	#40
4	F422817	Tee	
5	F150308	Overflow Hose	
6	F150331	Rear Drain Hose	
7	F608237	Pipe	
8	F180414	Bottom Fill Hose	
9	F200204	Clamp	#20
10	F200170	Hose	
11	F422517	Nipple	
12	F150332	Overflow Hose	
13	F200215	Clamp	#28
14	F150318	Drain Tee	
15	F430103	Screw	
16	F430317	Washer	
17	F150312	Front Drain Hose	
18	F430215	Nut	
19	F380618	Drain Valve	120 Volt ; 2 inch
	F380619	Drain Valve	220 Volt; 2 inch
20	F200142	Air Trap Hose	
21	F200205	Clamp	#10

Door



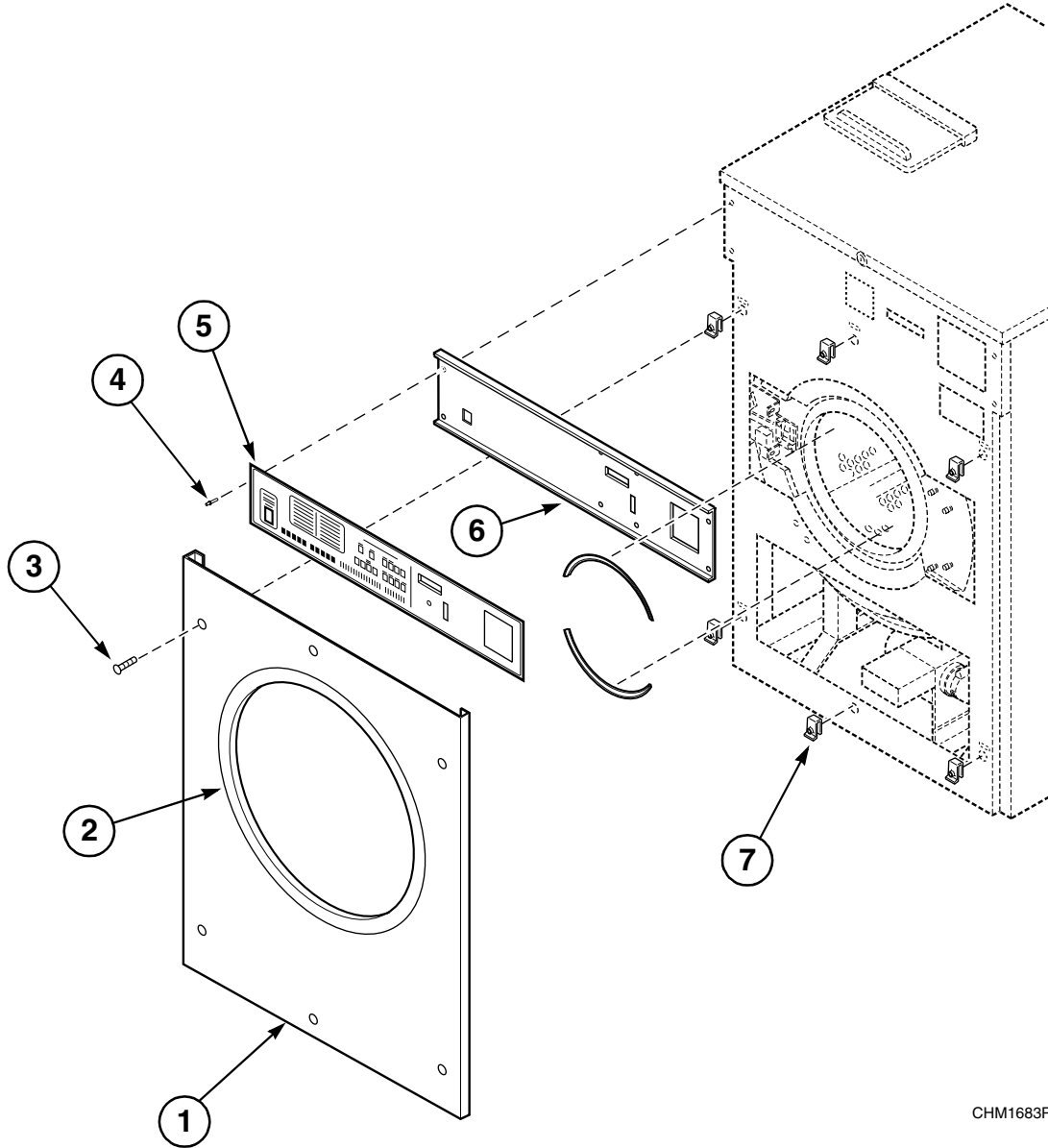
CHM1339P

Door

REF	PART #	DESCRIPTION	COMMENTS
	F730155	Door Handle Kit	Includes items 2, 5, 6, 24, 25, 26, 27 and 28
1	F230661	Decal	Push red button
2	F430532	Socket Screw	SC18 and UC18
	F430533	Socket Screw	SC27, UC27, SC35, UC35, SC50 and UC50
3	F430232	Nut	
4	F0150229-00	Latch Arm	
5	F0150273-00	Door Handle Spacer	
6	F431041	Nut	
7	F230693	Decal	Counterclockwise spin rotation
8	F170209	O-Ring	SC18 and UC18; Optional; Used to tighten door seal
9	F290205P	Door Glass Kit	SC18 and UC18
	F290207P	Door Glass Kit	SC27, UC27, SC35 and UC35
	F290208P	Door Glass Kit	SC50 and UC50
10	F170106-1	Gasket	SC18 and UC18
	F170123-1	Gasket	SC27, UC27, SC35 and UC35
	F170124-1	Gasket	SC50 and UC50
11	F431217	Rivet	
12	F631990	Magnetic Switch Assembly	
13	F602813-2	Rod	SC18, UC18, SC27, UC27, SC35 and UC35
	F602813-3	Rod	SC50 and UC50
14	F602679	Shim	As required
15	F430536	Screw	
16	F190216	Hinge	
17	F430215	Nut	
18	F150226	Door Mount	
19	F431022	Nut	
20	F431113	Lockwasher	
21	F604079-3	Door Assembly	SC18 and UC18; Includes items 4, 5, 9, 10, 13, 16, 24, 27 and 31
	F603239-2	Door Assembly	SC27, UC27, SC35 and UC35; Includes items 4, 5, 9, 10, 13, 16, 24, 27 and 31
	F603901-5	Door Assembly	SC50 and UC50; Includes items 4, 5, 9, 10, 13, 16, 24, 27 and 31
22	F430974	Bolt	
23	F430916	Rivet	
24	F150225	Handle	
25	F310125	Spring	
26	F230662	Decal	Red dot
27	F320300	Pushbutton Rod	
28	F431222	Pin	
29	F431907	Washer	
30	F430976	Screw	
31	F340703	Magnet	

Front Panel and Extrusion Panel

Design 1-3 Control Panel Decals and Extrusion Panels



CHM1683P

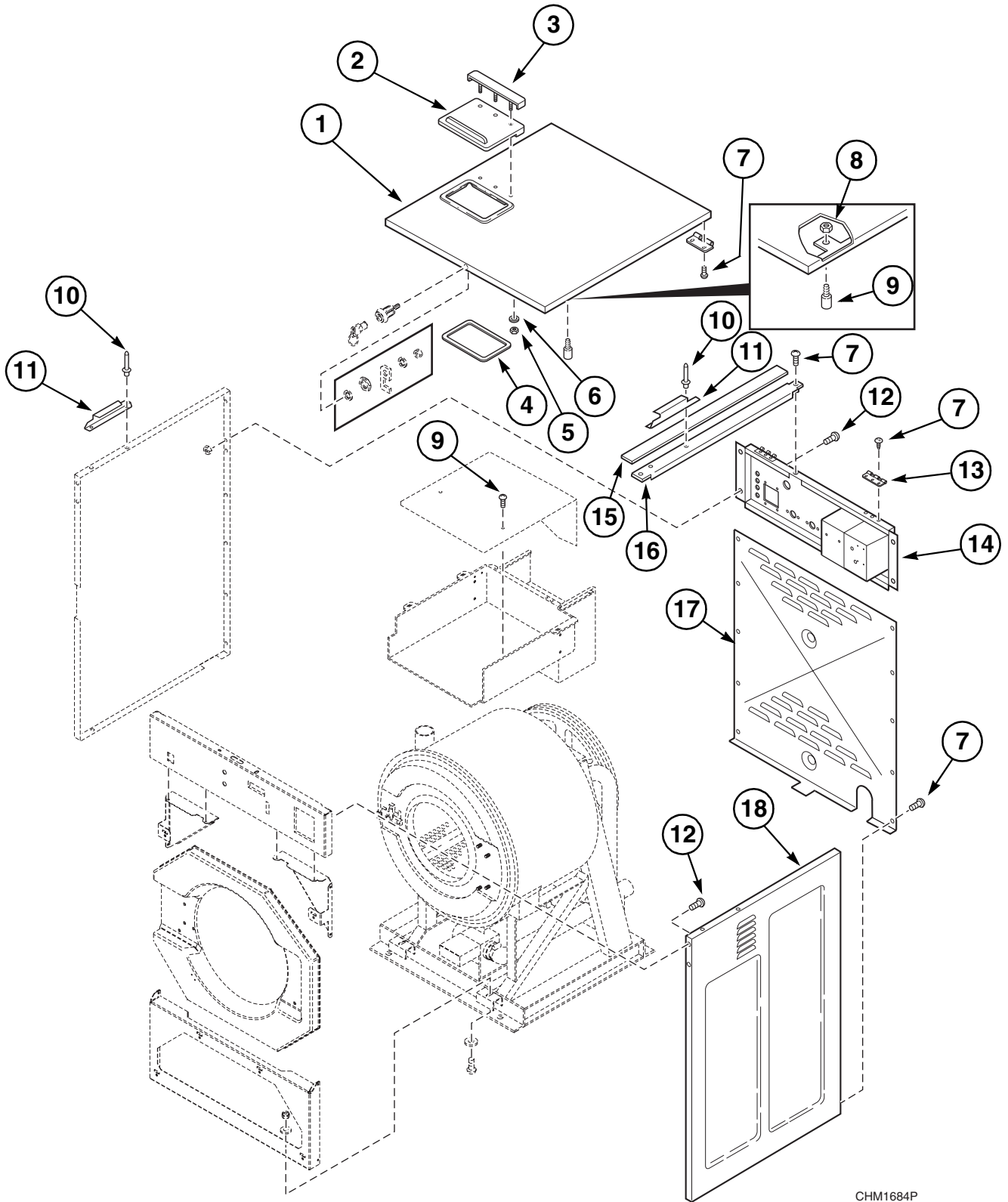
Front Panel and Extrusion Panel

Design 1-3 Control Panel Decals and Extrusion Panels

REF	PART #	DESCRIPTION	COMMENTS
1	F634683-1	Outer Front Panel	SC18 and UC18
	F634666-1	Outer Front Panel	SC27 and UC27
	F634817-1	Outer Front Panel	SC35 and UC35
	F634765-1	Outer Front Panel	SC50 and UC50
2	F0150501-00	Trim	Order 5 feet for SC18 and UC18; Order 6 feet for SC27 and UC27 and SC35 and UC35; Order 7 feet for SC50 and UC50
3	F430956	Screw	
4	F431210	Rivet	
5	F231166	Control Panel Decal	SC18; Designs 1-3
	F231171	Control Panel Decal	SC27; Designs 1-3
	F231469	Control Panel Decal	SC35; Designs 1-3
	F231470	Control Panel Decal	SC50; Designs 1-3
	F230787	Control Panel Decal	UC18; Designs 1-3
	F231257	Control Panel Decal	UC27; Designs 1-3
	F230789	Control Panel Decal	UC35; Designs 1-3
	F230790	Control Panel Decal	UC50; Designs 1-3
6	F150326	Extrusion Panel	SC18 and UC18; Designs 1-3 only
	F150403	Extrusion Panel	SC27 and UC27; Designs 1-3 only
	F150324	Extrusion Panel	SC35 and UC35; Designs 1-3 only
	F150325	Extrusion Panel	SC50 and UC50; Designs 1-3 only
7	F430264	Nut	

Panels and Bezel Style Inner Front Panel

Page 1 of 2



CHM1684P

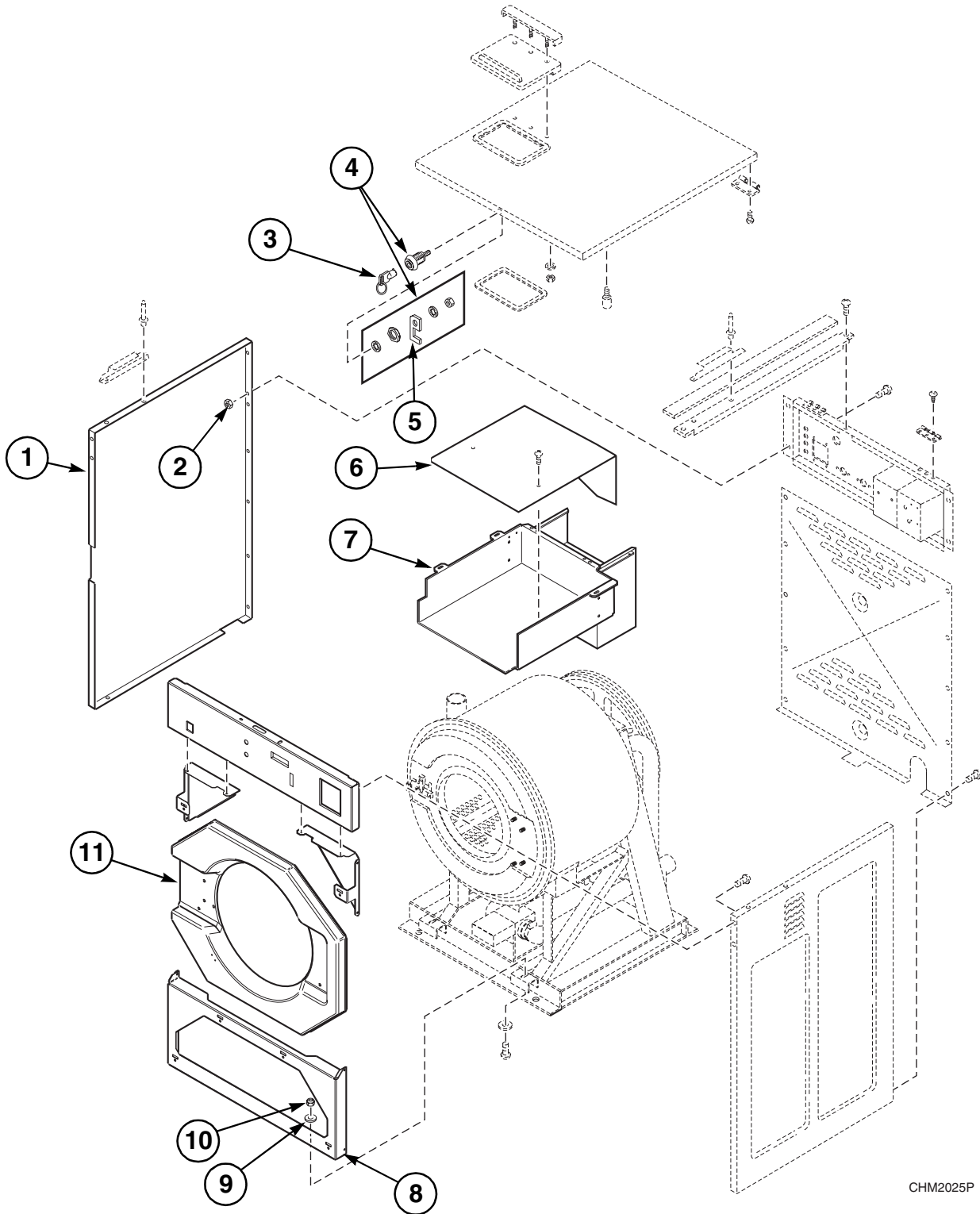
Panels and Bezel Style Inner Front Panel

Page 1 of 2

REF	PART #	DESCRIPTION	COMMENTS
1	F758003	Top Cover Kit	SC18 and UC18; Includes hinge
	F631963	Top Cover Assembly	SC27 and UC27; Includes items 2, 3, 4 and 9 from page 35
	F758001-01	Top Cover Kit	SC35 and UC35; Includes hinge
	F758000-01	Top Cover Kit	SC50 and UC50; Includes hinge
2	F150305-1	Cover	
3	F630430	Clamp Assembly	
4	F170170	Gasket	
5	F431024	Nut	
6	F431147	Washer	
7	F430174	Screw	
8	F430231	Nut	
9	F390300	Stud	
10	F431215	Rivet	
11	F602722	Bracket	
12	F430925	Screw	
13	F190203	Hinge	
14	F633494-1	Valve Panel Assembly	SC18 and UC18
	F633494-2	Valve Panel Assembly	SC27 and UC27
	F633494-3	Valve Panel Assembly	SC35 and UC35
	F633494-4	Valve Panel Assembly	SC50 and UC50
15	F170402	Gasket	Order 5 feet for SC18, UC18, SC27 and UC27; Order 6 feet for SC35 and UC35; Order 7 feet for SC50 and UC50
16	F602620	Brace	SC18 and UC18
	F631247	Brace	SC27 and UC27
	F0603014-00	Brace	SC35 and UC35
	F603227	Brace	SC50 and UC50
17	F0602424-00	Rear Panel	SC18 and UC18
	F0636321-00	Rear Panel	SC27 and UC27
	F603121	Rear Panel	SC35 and UC35
	F631885	Rear Panel	SC50 and UC50
18	F633545	Side Panel	SC18 and UC18; Right
	F633544	Side Panel	SC27 and UC27; Right
	F634507-1	Side Panel	SC35 and UC35; Right
	F633323	Side Panel	SC50 and UC50; Right

Panels and Bezel Style Inner Front Panel

Page 2 of 2



CHM2025P

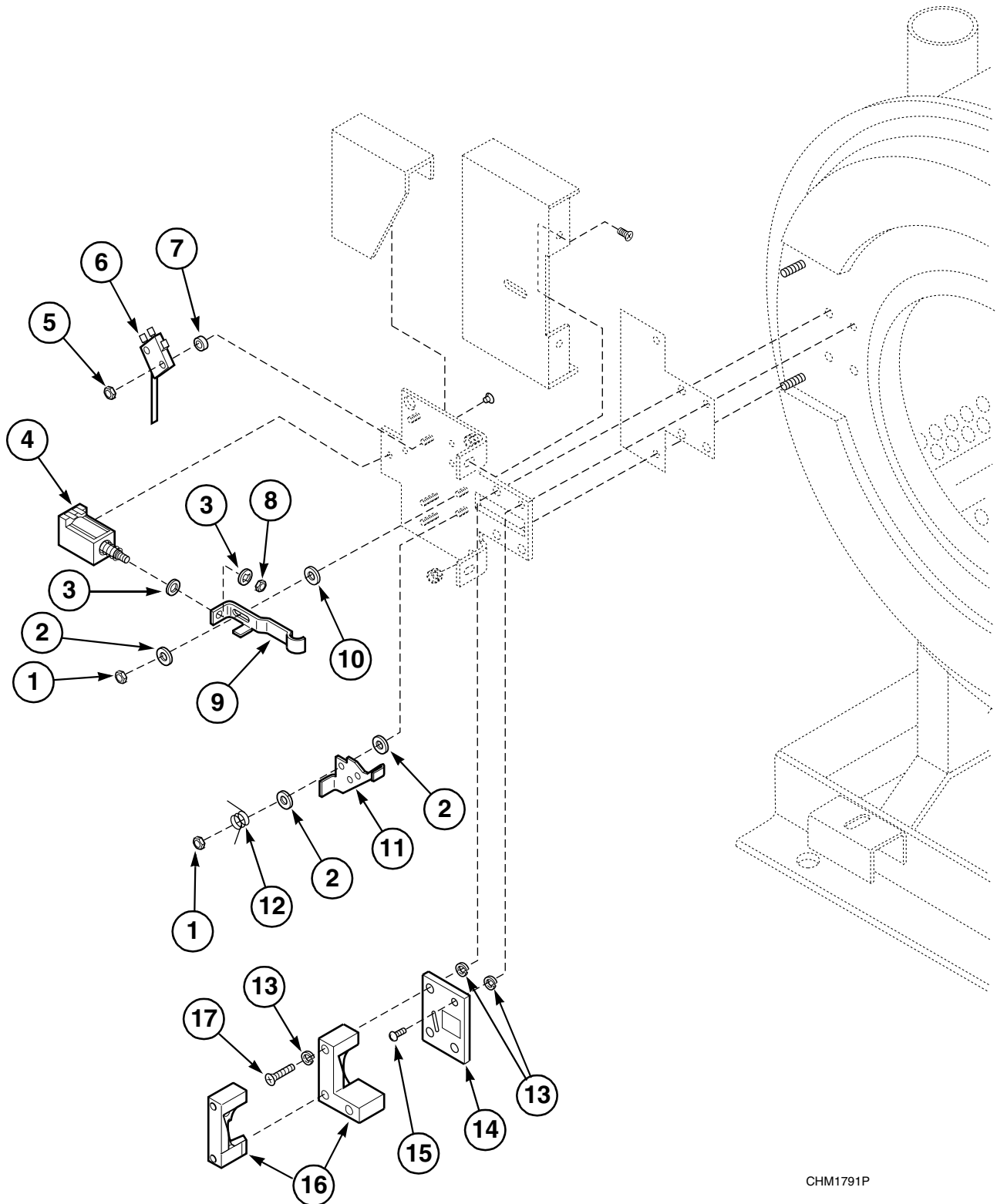
Panels and Bezel Style Inner Front Panel

Page 2 of 2

REF	PART #	DESCRIPTION	COMMENTS
1	F606544	Side Panel	SC18 and UC18; Left
	F630469	Side Panel	SC27 and UC27; Left
	F634499-1	Side Panel	SC35 and UC35; Left
	F603130	Side Panel	SC50 and UC50; Left
2	F430125	Nut	
3	F190805-1	Key	RL003; Flat
	F160562	Key	GR3800; Barrel
4	F190805	Lid Lock	RL003; Flat key
	F190802	Lid Lock	GR3800; Barrel
5	F602753	Top Cover Latch	GR3800; Barrel
	F190805	Top Cover Latch	RL003; Flat
6	F633291	Control Module Cover	
7	F633380-1	Control Module Box Assembly	
8	F634800	Lower Brace	SC18 and UC18
	F634801	Lower Brace	SC27 and UC27
	F634802	Lower Brace	SC35 and UC35
	F634803	Lower Brace	SC50 and UC50
9	F430317	Washer	
10	F430215	Nut	
11	F634688-1	Bezel	SC18 and UC18
	F634472-1	Bezel	SC27, UC27, SC35 and UC35
	F634778-1	Bezel	SC50 and UC50

Door Lock

Old style; Page 1 of 2



CHM1791P

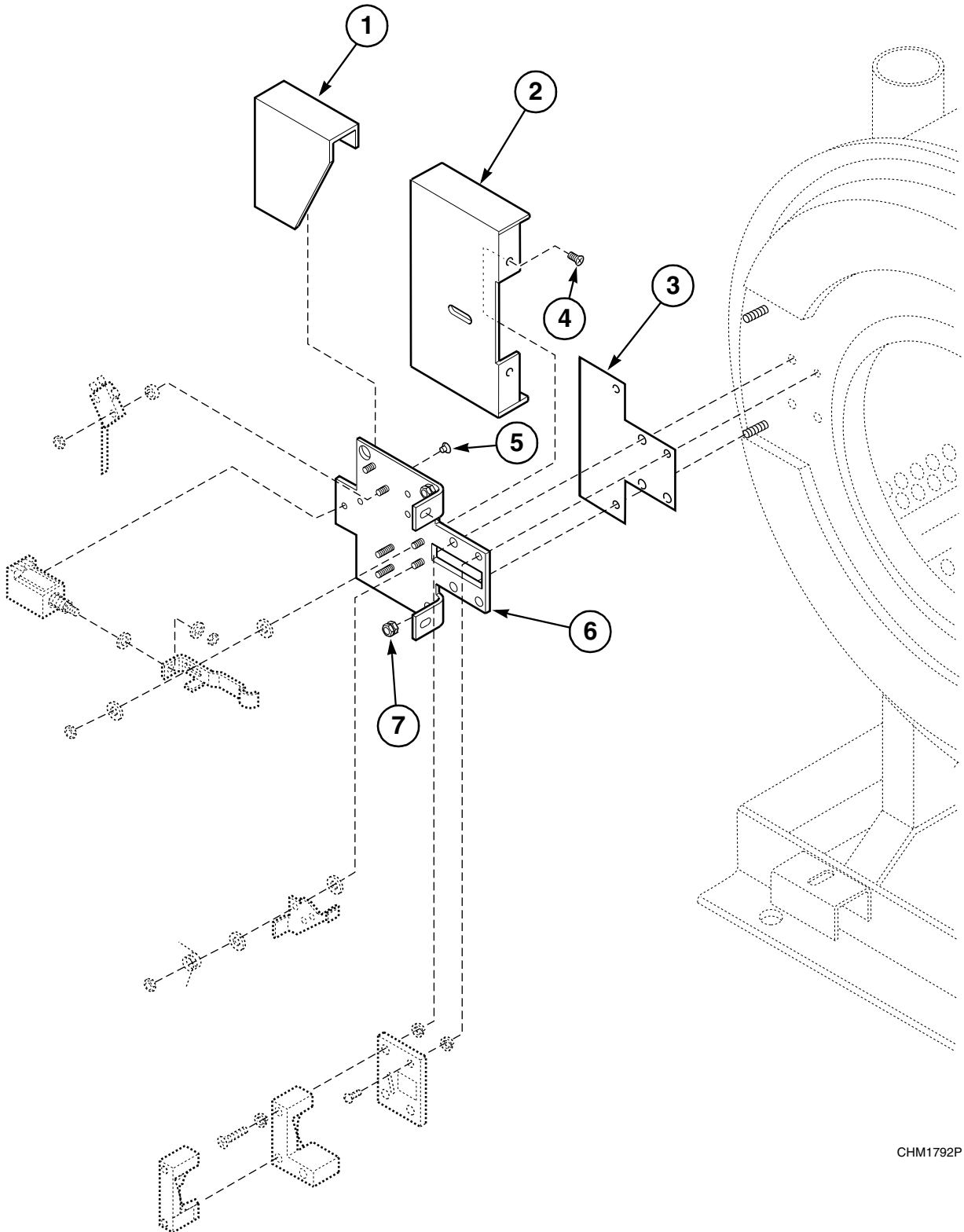
Door Lock

Old style; Page 1 of 2

REF	PART #	DESCRIPTION	COMMENTS
	F633569	Door Lock Wiring Harness	
	F605386-7	Door Lock Assembly	Includes all items on this page and page 39
1	F430232	Nut	
2	F431902	Washer	Teflon
3	F431123	Washer	
4	F300128	Solenoid	
5	F430225	Nut	
6	F340919	Microswitch	
7	F431901	Washer	
8	F430220	Nut	
9	F605382	Pushbutton Stop	
10	F431903	Washer	Space; Teflon
11	F605381	Lever	
12	F310110	Spring	
13	F431100	Lockwasher	
14	F602567	Cover	
15	F430925	Screw	
16	F150261	Catch Casting	L-catch
	F150223	Catch Casting	I-catch
17	F430983	Screw	SC18, UC18, SC27 and UC27
	F430982	Screw	SC35, UC35, SC50 and UC50

Door Lock

Old Style; Page 2 of 2



CHM1792P

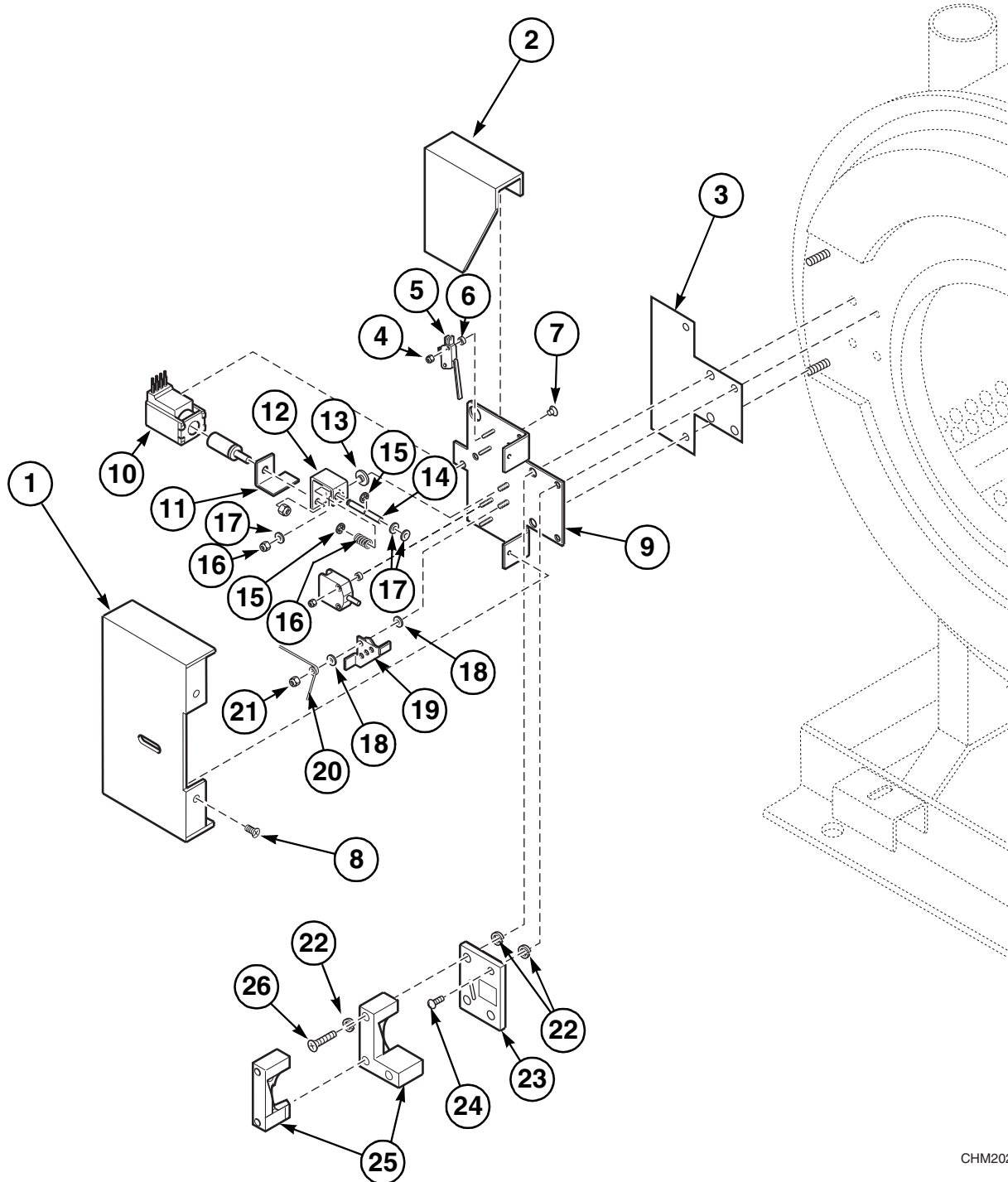
Door Lock

Old Style; Page 2 of 2

REF	PART #	DESCRIPTION	COMMENTS
1	F603003	Cover	
2	F320200	Splash Shield	
3	F603185	Shim	As required
4	F430174	Screw	
5	F430977	Screw	
6	F633078	Door Lock Plate Subassembly	
7	F430215	Nut	

Door Lock

New Style



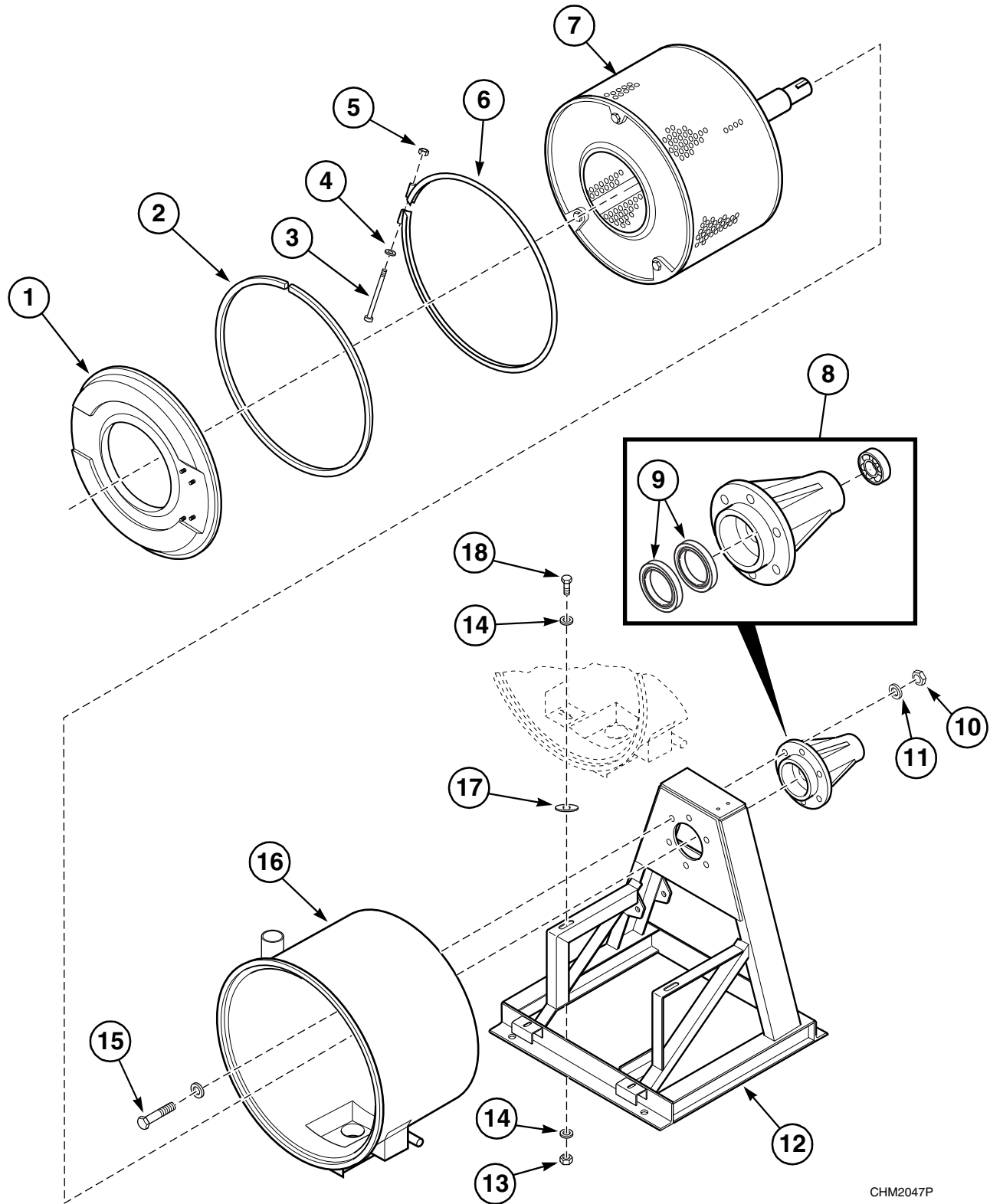
CHM2026P

Door Lock

New Style

REF	PART #	DESCRIPTION	COMMENTS
	F0798839-00	Retrofit Kit	
	F0636112-00	Door Lock Assembly	
1	F320200	Splash Shield	
2	F603185	Shim	
3	F430225	Locknut	Nylon
4	F340923	Door Lock Micro Switch	
5	F431901	Spacer	Nylon
6	F430977	Screw	
7	F430174	Screw	
8	F0603003	Cover	
9	F633084	Door Lock Plate Subassembly	
10	F300128	Door Solenoid	
11	F0636103-00	Door Lock Retainer Latch	
12	F150455	Door Pin Linkage	
13	F431902	Washer	Teflon
14	F431231	Door Locking Pin	
15	F310205	E-Ring Retainer	
16	F310137	Door Lock Pin Return Spring	
17	F430317	Washer	
18	F605381	Door Lock Switch Lever	
19	F310110	Door Lock Torsion Spring	
20	F430232	Locknut	Nylon
21	F431100	Lockwasher	
22	F602567	Cover	
23	F430925	Screw	
24	F150261	Catch Casting	
25	F430983	Screw	SC18, UC18, SC27 and UC27
	F430982	Screw	SC35, UC35, SC50 and UC50

Shell Front, Cylinder, Outer Shell and Trunnion

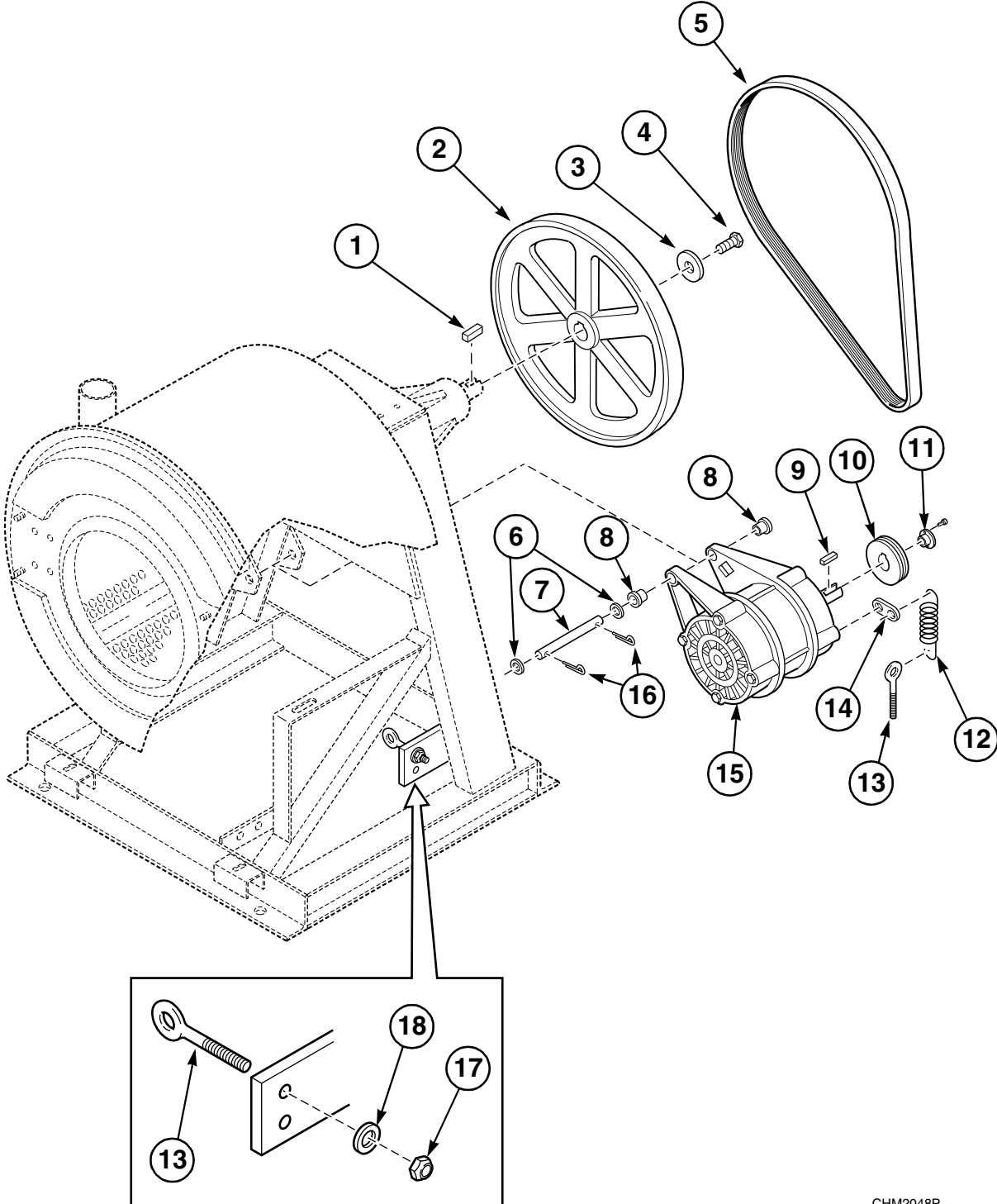


CHM2047P

Shell Front, Cylinder, Outer Shell and Trunnion

REF	PART #	DESCRIPTION	COMMENTS
1	F609270-1	Shell Front Assembly	SC18 and UC18
	F632006	Shell Front Assembly	SC27 and UC27
	F609271-1	Shell Front Assembly	SC35 and UC35
	F609272-1	Shell Front Assembly	SC50 and UC50
2	F170152	Gasket	Order 8 feet
3	F430518	Screw	
4	F430317	Washer	
5	F430215	Nut	
6	F741700	Shell Band Kit	SC18 and UC18
	F631977	Shell Band Assembly	SC27 and UC27
	F741701	Shell Band Kit	SC35 and UC35
	F741702	Shell Band Kit	SC50 and UC50
7	F605992	Basket Assembly	SC18 and UC18
	F631378	Basket Assembly	SC27 and UC27
	F605726	Basket Assembly	SC35 and UC35
	F605951	Basket Assembly	SC50 and UC50
8	F747009	Trunnion Kit	SC18 and UC18
	F747003	Trunnion Kit	SC27 and UC27
	F747012	Trunnion Kit	SC35 and UC35
	F747005	Trunnion Kit	SC50 and UC50
9	F100242	Shaft Seal	SC18 and UC18
	F100240	Shaft Seal	SC27, UC27, SC35 and UC35
	F100241	Shaft Seal	SC50 and UC50
10	F430239	Nut	SC18, UC18, SC27 and UC27
	F430240	Nut	SC35, UC35, SC50 and UC50
11	F431128	Washer	SC18, UC18, SC27 and UC27
	F431131	Washer	SC35, UC35, SC50 and UC50
12	F633950	Frame Assembly	SC18 and UC18
	F634291	Frame Assembly	SC27 and UC27
	F633612	Frame Assembly	SC35 and UC35
	F633478	Frame Assembly	SC50 and UC50
14	F430325	Washer	
13	F430218	Nut	
15	F430949	Screw	SC18, UC18, SC27 and UC27
	F430987	Screw	SC35, UC35, SC50 and UC50
16	F741006	Shell Kit	SC18 and UC18
	F634663	Shell Assembly	SC27 and UC27
	F741008	Shell Kit	SC35 and UC35
	F741014	Shell Kit	SC50 and UC50
17	F430303	Washer	
18	F430942	Screw	

Motor, Pulley and Belt

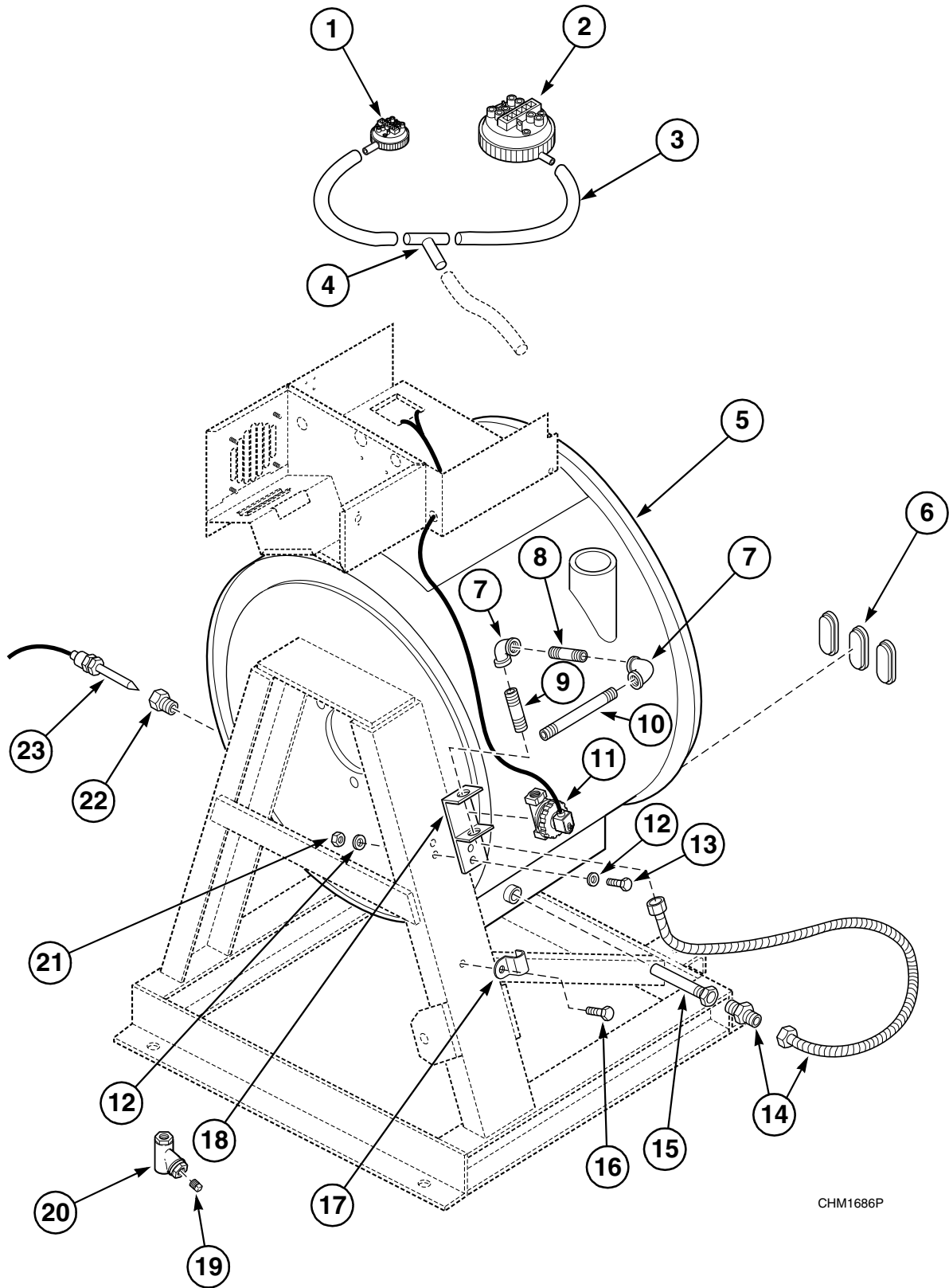


CHM2048P

Motor, Pulley and Belt

REF	PART #	DESCRIPTION	COMMENTS
1	F430801	Key	
2	F150270	Basket Pulley	SC18 and UC18
	F150269	Basket Pulley	SC27, UC27, SC35 and UC35
	F280288	Basket Pulley	SC50 and UC50
3	F431126	Washer	SC18 and UC18
	F431115	Washer	All other models
4	F430927	Screw	SC18 and UC18
	F430100	Screw	All other models
5	F280370	Belt	SC18 and UC18; Poly-V
	F280368	Belt	SC27 and UC27; Poly-V
	F280369	Belt	SC35 and UC35; Poly-V
	F280366	Belt	SC50 and UC50; Poly-V
6	F430325	Washer	
7	F603059	Support Rod	SC35 and UC35
	F603897	Support Rod	SC50 and UC50
	F602844	Support Rod	All other models
8	F130311	Bushing	Nylon
9	F430802	Key	
10	F280287	Pulley	
11	F280209	Motor Pulley Bushing	
12	F310124	Spring	
13	F430537	Eye Screw	SC35, UC35, SC50 and UC50 only
14	F633374	Spring Clip	
15	F220393	Motor	SC18 and UC18
	F220395	Motor	SC27 and UC27
	F220394	Motor	SC35 and UC35
	F220234	Motor	SC50 and UC50
16	F430401	Cotter Pin	
17	F430218	Nut	SC35, UC35, SC50 and UC50 only
18	F430300	Washer	SC35, UC35, SC50 and UC50 only

Steam Heat Assembly

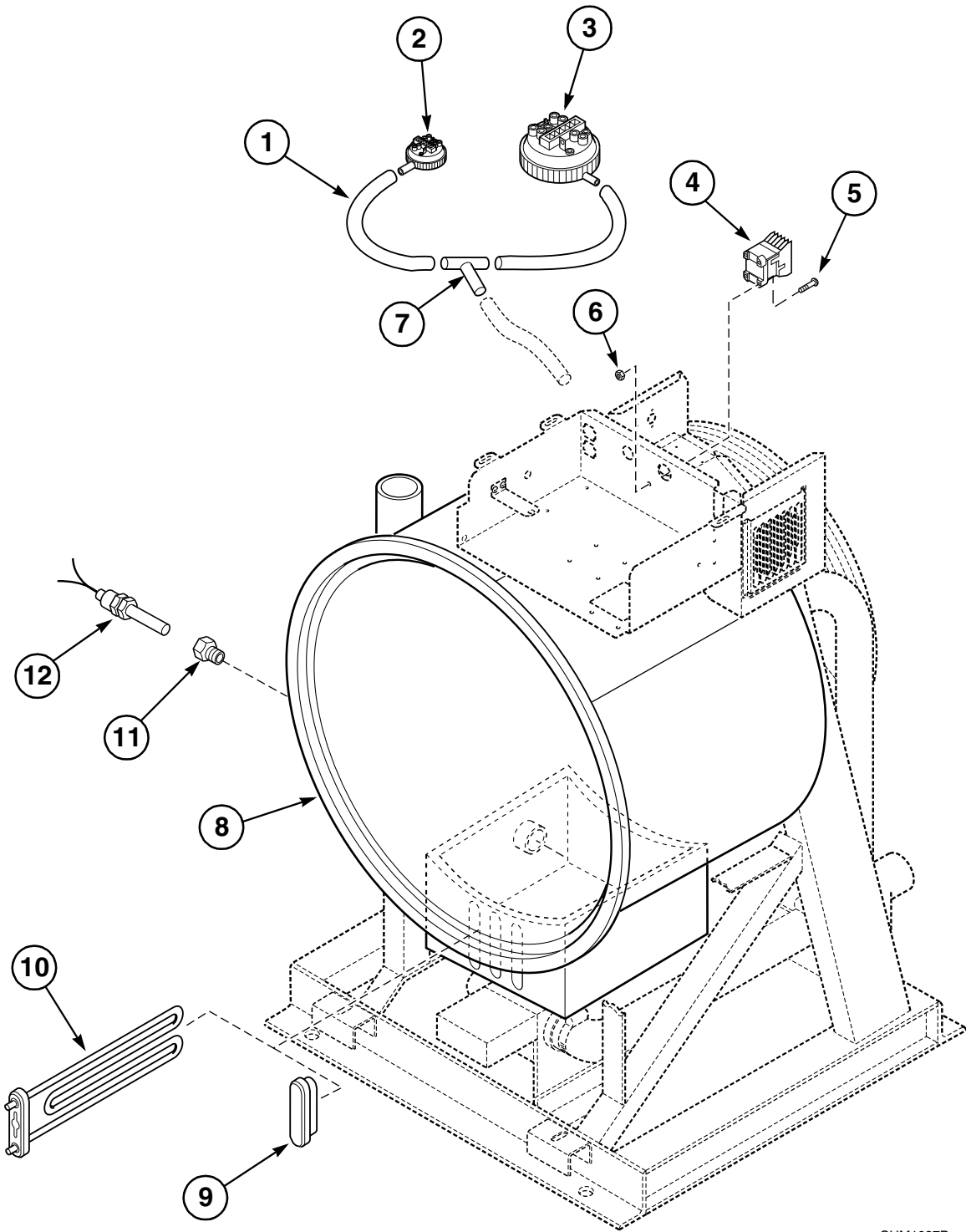


CHM1686P

Steam Heat Assembly

REF	PART #	DESCRIPTION	COMMENTS
1	F340443	Water Pressure Switch	Small; Heat safety
2	F340312	Water Pressure Switch	SC18 and UC18; Large; Heat option
	F340315	Water Pressure Switch	SC27 and UC27; Large; Heat option
	F340328	Water Pressure Switch	SC35, UC35, SC50 and UC50; Large; Heat option
3	F422404	Tubing	Order 1 foot
4	F422806	Tee	
5	F606978	Shell Assembly	SC18 and UC18; Heat Option
	F631201	Shell Assembly	SC27 and UC27; Heat Option
	F606982	Shell Assembly	SC35 and UC35; Heat Option
	F606984	Shell Assembly	SC50 and UC50; Heat Option
6	F360202	Plug	Use 3 for SC18, UC18, SC27 and UC27, 6 for SC35, UC35 and 9 for SC50 and UC50
7	F421104	Elbow	
8	F420708	Nipple	
9	F420707	Nipple	
10	F420701	Nipple	
11	F380786	Valve	
12	F430317	Washer	
13	F430108	Screw	
14	F200154	Hose	Includes fitting
15	F603131	Steam Injection Tube Assembly	
16	F0430165-00	Screw	
17	F140601	Strap	
18	F601186	Bracket Assembly	
19	F420409	Plug	
20	F270307	Steam Filter	
21	F430215	Nut	
22	F421936	Bushing	
23	F370606	Temperature Probe	

Electric Heat Assembly



CHM1687P

Electric Heat Assembly

REF	PART #	DESCRIPTION	COMMENTS
1	F422404	Tubing	Order 1 foot
2	F340443	Water Pressure Switch	Small; Heat safety
3	F340312	Water Pressure Switch	SC18 and UC18; Large; Heat option
	F340315	Water Pressure Switch	SC27 and UC27; Large; Heat option
	F340328	Water Pressure Switch	SC35, UC35, SC50 and UC50; Large; Heat option
4	F330187	Contactactor	SC18, UC18, SC27 and UC27; T-voltage models
	F330175	Contactactor	SC18, UC18, SC27 and UC27; N, Q and P-voltage models
	F330180	Contactactor	SC35 and UC35; Q-voltage models
	F330178	Contactactor	SC35 and UC35; N and P-voltage models
	F330180	Contactactor	SC50 and UC50; N-voltage models
	F330187	Contactactor	SC50 and UC50; P and Q-voltage models
5	F430917	Screw	
6	F430231	Nut	
7	F422806	Tee	
8	F606978	Shell Assembly	SC18 and UC18; Heat Option
	F631201	Shell Assembly	SC27 and UC27; Heat Option
	F606982	Shell Assembly	SC35 and UC35; Heat Option
	F606984	Shell Assembly	SC50 and UC50; Heat Option
9	F360202	Plug	
10	F360206	Heating Element	SC18 and UC18; Use 3
	F360205	Heating Element	Use 3 for SC27 and UC27, 6 for SC35 and UC35 and 9 for SC50 and UC50
11	F421936	Bushing	
12	F370606	Temperature Probe	

Parts Index

A

AC Drive	
F370855	11
F370856	11
F370857	11
F370858	11
AC Drive Kit	
F798716	11
F798717	11
F798718	11
F798719	11
Air Trap Hose	
F200142	25, 27

B

Basket Assembly	
F605726	43
F605951	43
F605992	43
F631378	43
Basket Pulley	
F150269	45
F150270	45
F280288	45
Battery	
F191101	9
Battery Adapter Board	
F370529	9
Belt	
F280366	45
F280368	45
F280369	45
F280370	45
Bezel	
F634472-1	35
F634688-1	35
F634778-1	35
Bolt	
F430974	29
Bottom Fill Hose	
F180414	27
Box Cover	
F602533	17
Brace	
F0603014-00	33
F602620	33
F603227	33
F631247	33
Bracket	
F602722	33
Bracket Assembly	
F601186	47
Bridge Rectifier	
F370310	9
Bushing	
F130311	45
F140909	17
F421936	47, 49

C

Cable	
F140247	9
Catch Casting	
F150223	37
F150261	37, 41
Clamp	
F200204	27
F200205	13, 25, 27
F200207	13, 17
F200213	13, 17, 25, 27
F200215	27
F200219	13, 17, 25, 27
Clamp Assembly	
F630430	33
Clip	
F601515	7
Coil	
F380900	15
Coin Meter Mounting Shim	
F0634819-00	7
Contactactor	
F330175	49
F330178	49
F330180	49
F330187	49
Control Box Assembly	
F0635628-03	9
F0635628-04	9
F633380-3	9
F633380-4	9
Control Module Box Assembly	
F633380-1	35
Control Module Cover	
F633291	35
Control Panel Assembly	
F634808-2	7
F634824-2	7
F634827-2	7
F634830-2	7
Control Panel Decal	
F230787	31
F230789	31
F230790	31
F231166	31
F231171	31
F231257	31
F231467	7
F231468	7
F231469	7, 31
F231470	7, 31
F231495	7
F231496	7
F231497	7
F231498	7
Cotter Pin	
F430401	45
Cover	
F0603003	41
F150305-1	33
F602567	37, 41
F603003	39

D

Decal	
F230202	5
F230206	5
F230207	5
F230215-1	5
F230216	5
F230630	5
F230661	29
F230662	29
F230693	5, 29
F230739	5
F230877	5
F231065	5
F231146	5
F231263	5
F231377	11
F231381	7
F231393	11
F231394	11
Diaphragm and Guide Kit	
G581P3	19
Door Assembly	
F603239-2	29
F603901-5	29
F604079-3	29
Door Glass Kit	
F290205P	29
F290207P	29
F290208P	29
Door Handle Kit	
F730155	29
Door Handle Spacer	
F0150273-00	29
Door Lock Assembly	
F0636112-00	41
F605386-7	37
Door Lock Micro Switch	
F340923	41
Door Lock Pin Return Spring	
F310137	41
Door Lock Plate Subassembly	
F633078	39
F633084	41
Door Lock Retainer Latch	
F0636103-00	41
Door Lock Switch Lever	
F605381	41
Door Lock Torsion Spring	
F310110	41
Door Lock Wiring Harness	
F633569	37
Door Locking Pin	
F431231	41
Door Mount	
F150226	29
Door Pin Linkage	
F150455	41
Door Solenoid	
F300128	41
Drain Tee	
F150318	25, 27

Drain Valve	
F380618	27
F380619	27
Drain Valve Assembly	
F380618	25
F380628	25
Dual Fuseholder	
F0350312-00	21

E

Elbow	
F421104	47
E-Ring Retainer	
F310205	41
Extrusion Panel	
F150324	31
F150325	31
F150326	31
F150403	31
Eye Screw	
F430537	45

F

Filter	
F0270321-00	11
F270305	23
F270306	23
Filter Screen	
F270300	23
Filter-Cooling Fan Slide	
F633321	11
Flange Relay	
F330227	9
Flow Restrictor	
F380119	19
F380957	15
F380958	15
Frame Assembly	
F633478	43
F633612	43
F633950	43
F634291	43
Front Drain Hose	
F150312	25, 27
F150400	25
Fuse	
F350109	9
F350110	11
F350115	21
F350117	11
Fuseholder	
F0350312-10	11
Fuseholder Bracket	
F633322	11

G

Gasket	
F170106-1	29
F170123-1	29
F170124-1	29
F170152	43
F170170	33
F170402	33
F270407	23
Ground Lug	
F140734	17, 21

H

Handle	
F150225	29
Harness	
F140249	9
Heating Element	
F360205	49
F360206	49
Hinge	
F190203	33
F190216	29
Hose	
F150309	25
F150311	25
F150321	25
F150331	25
F150340	25
F150356	25
F150372	25
F150399	25
F200108	13, 17
F200116	23
F200154	47
F200164	23
F200165	23
F200166	23
F200170	27

I

Input Power Block	
F140746	17
F140747	17, 21
F140748	17, 21
F140770	17, 21

J

Junction Box Cover	
F633260	21

K

Key	
F160562	35
F190805-1	35
F430801	45
F430802	45
Keypad	
F340608	7
F370576	7

L

Latch Arm	
F0150229-00	29
Lever	
F605381	37
Lid Lock	
F190802	35
F190805	35
Light	
F350411	7
Locknut	
F430225	41
F430232	41
Lockwasher	
F431100	37, 41
F431113	11, 21, 29
Lower Brace	
F634800	35
F634801	35
F634802	35
F634803	35

M

Magnet	
F340703	29
Magnetic Switch Assembly	
F631990	29
Manifold	
F150371	13
Microcomputer	
F370313-13	7
F370313-60P	7
Microswitch	
F340919	37
Momentary Switch	
F340412	7
Motor	
F220234	45
F220393	45
F220394	45
F220395	45
F380943	25
Motor Pulley Bushing	
F280209	45
Muffin Fan	
F110106	11

N

Nipple	
F420701	47
F420707	47
F420708	47
F422517	27
Nozzle	
F380300	21
Nozzle Kit	
F730168	21
Nut	
F430125	35
F430215	25, 27, 29, 35, 39, 43, 47
F430218	43, 45
F430220	37
F430224	21
F430225	37
F430231	7, 13, 17, 33, 49
F430232	7, 9, 17, 29, 37
F430239	43
F430240	43
F430264	31
F431016	11
F431022	11, 21, 29
F431024	33
F431041	29

O

O-ring	
F170208	21
F170209	29
Outer Front Panel	
F634666	31
F634683	31
F634765	31
F634817	31
Output CCA	
F370314	9
F370447P	9
Overflow Hose	
F150308	27
F150317	25
F150332	25, 27
F150417	25
Overflow Plug	
F150352	25
Overlay	
F231402	7
F231404	7

P

Pin	
F431222	29
Pipe	
F608237	27
Plug	
F190301	13
F360202	47, 49
F420409	47

Pulley	
F280287	45
Pushbutton Rod	
F320300	29
Pushbutton Stop	
F605382	37

R

Rear Drain Hose	
F150331	27
Rear Panel	
F0602424-00	33
F0636321-00	33
F603121	33
F631885	33
Relay	
F330227	7
Replacement Filter	
F270405	23
F270406	23
Retrofit Kit	
F0798839-00	41
Rivet	
F430916	29
F431210	31
F431215	33
F431217	29
Rocker Switch	
F340411	7
Rod	
F602813-2	29
F602813-3	29

S

Screw	
F0430165-00	47
F430100	45
F430103	25, 27
F430108	47
F430174	17, 21, 33, 39, 41
F430177	13, 17
F430482	9, 11
F430518	43
F430536	29
F430903	17, 21
F430916	9
F430917	13, 49
F430925	33, 37, 41
F430927	25, 45
F430928	11
F430938	17, 21
F430942	43
F430948	13, 17
F430949	43
F430956	31
F430976	29
F430977	39, 41
F430982	37, 41
F430983	37, 41
F430987	43

Shaft Seal			
F100240	43		
F100241	43		
F100242	43		
Shell Assembly			
F606978	47, 49		
F606982	47, 49		
F606984	47, 49		
F631201	47, 49		
F634663	43		
Shell Band Assembly			
F631977	43		
Shell Band Kit			
F741700	43		
F741701	43		
F741702	43		
Shell Front Assembly			
F609270-1	43		
F609271-1	43		
F609272-1	43		
F632006	43		
Shell Kit			
F741006	43		
F741008	43		
F741014	43		
Shim			
F602679	29		
F603185	39, 41		
Side Panel			
F603130	35		
F606544	35		
F630469	35		
F633323	33		
F633544	33		
F633545	33		
F634499-1	35		
F634507-1	33		
Siphon Tube			
F150390	13, 17		
Socket Screw			
F430532	29		
F430533	29		
Solenoid			
F300128	37		
F380900	13		
Spacer			
F401206	7		
F431901	41		
Splash Shield			
F320200	39, 41		
Sponge Rubber			
F170128	9		
Spring			
F310110	37		
F310124	45		
F310125	29		
Spring Clip			
F633374	45		
Standoff			
F180501	9, 11		
F180506	21		
Steam Filter			
F270307	47		
Steam Injection Tube Assembly			
F603131	47		
Strainer			
F270200	15		
Strap			
F140601	47		
Stud			
F390300	33		
Supply Dispenser			
F602374-2	13, 17, 21		
Support Rod			
F602844	45		
F603059	45		
F603897	45		
Switch			
F340901	25		
Switch Extension			
F340913	25		
Switch Mounting Panel Assembly			
F633510	7		
Switchplate Mounting Subassembly			
F633540	7		
<hr/>			
T			
Tag			
F230528	5		
Tee			
F422806	47, 49		
F422817	27		
Temperature Probe			
F370606	47, 49		
Terminal			
F140768	21		
Terminal Strip			
F140768	11		
Thermostat			
F290115	11		
3-Way Mixing Valve			
F380740	13, 15		
F380741	13, 15		
3-Way Valve			
F381720	19		
F381725	19		
Top Cover Assembly			
F631963	33		
Top Cover Kit			
F758000-01	33		
F758001-01	33		
F758003	33		
Top Cover Latch			
F190805	35		
F602753	35		
Transformer			
F360124	25		
Trim			
F0150501-00	31		
Trunnion Kit			
F747003	43		
F747005	43		
F747009	43		
F747012	43		
Tubing			
F422404	47, 49		

V

Vacuum Breaker Bottom	
F150330.....	13, 17
Vacuum Breaker Hose	
F150321.....	13, 17, 27
F150340.....	13, 17
F150372.....	13, 17
Vacuum Breaker Top	
F0150329-00.....	13, 17
Valve	
F380786.....	47
Valve Assembly	
F381720.....	17
F381725.....	17
Valve Panel Assembly	
F633494-1.....	33
F633494-2.....	33
F633494-3.....	33
F633494-4.....	33
Valve Repair Kit	
F380939.....	15
F380954.....	15
Velcro	
F140639.....	11

W

Washer	
F200500.....	23
F430300.....	45
F430303.....	43
F430317.....	25, 27, 35, 41, 43, 47
F430325.....	7, 9, 43, 45
F431115.....	45
F431123.....	37
F431126.....	45
F431128.....	43
F431131.....	43
F431147.....	33
F431901.....	37
F431902.....	37, 41
F431903.....	37
F431907.....	29
Water Pressure Switch	
F340312.....	9, 47, 49
F340315.....	9, 47, 49
F340328.....	9, 47, 49
F340443.....	47, 49
Water Pressure Switch Mounting Bracket	
F631920.....	9

Y

"Y" Connector	
F422808.....	17