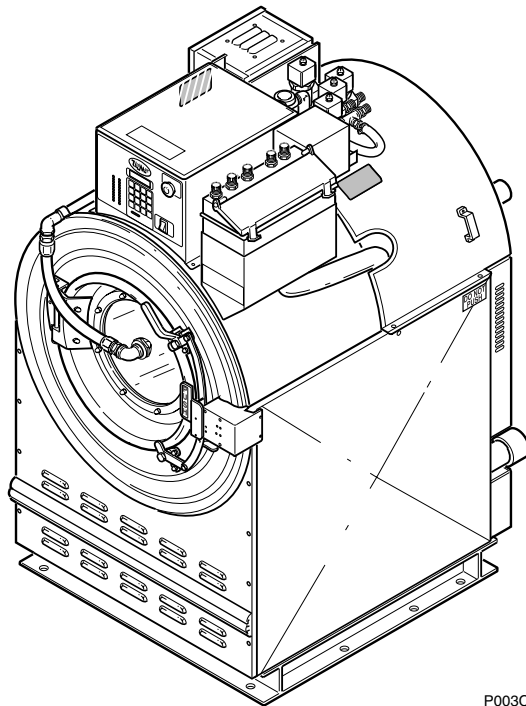


Washer-Extractor

Pocket Hardmount

UW50P-4

Parts



P003C

Table of Contents

Title	Page
Parts Ordering Information	2
Nameplate Location	2
Model Identification	3
WE-6 Microprocessor Control	4
WE-5 Microprocessor Control	6
Cover Panels	8
Door and Related Parts	10
Door and Related Parts	12
Right Door Box	14
Left Door Box	16
Spray and Fill Plumbing	18
Spray and Fill Plumbing	20
Soap Dispenser Supply Plumbing	22
Motorized Drain Valve	24
Motors, Drives and Balance Switch	26
Parts Index	29

© Copyright 2001, Alliance Laundry Systems LLC

All rights reserved. No part of the contents of this book may be reproduced or transmitted in any form or by any means without the expressed written consent of the publisher.

Parts Ordering Information

Alliance Laundry Systems is not responsible for personal injury or property damage resulting from improper service. Review all service information before beginning repairs.

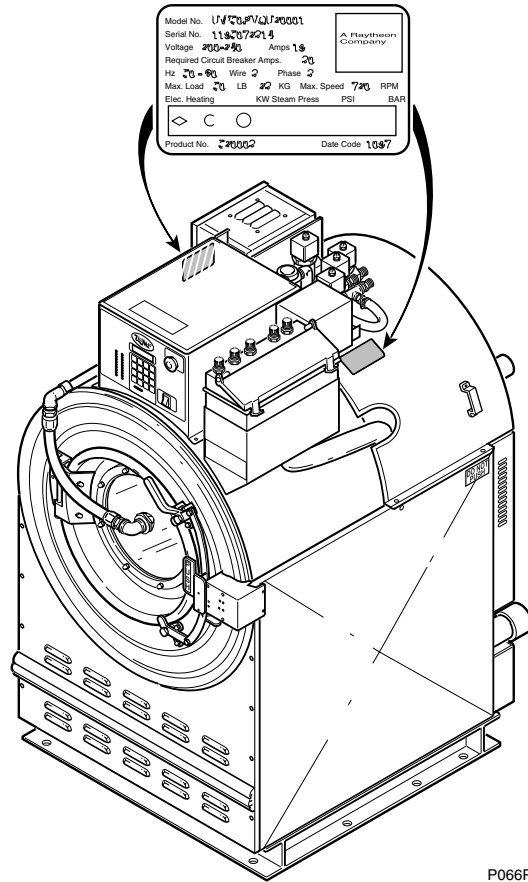
If literature or replacement parts are required, contact the source from whom the machine was purchased or contact Alliance Laundry Systems at (920) 748-3950 for the name of the nearest authorized parts distributor.

For technical assistance, call the following number:

(850) 718-1026
Marianna, Florida

Nameplate Location

When calling or writing about your product, be sure to mention model and serial numbers. Model and serial numbers are located on nameplate(s) as shown.



P066P

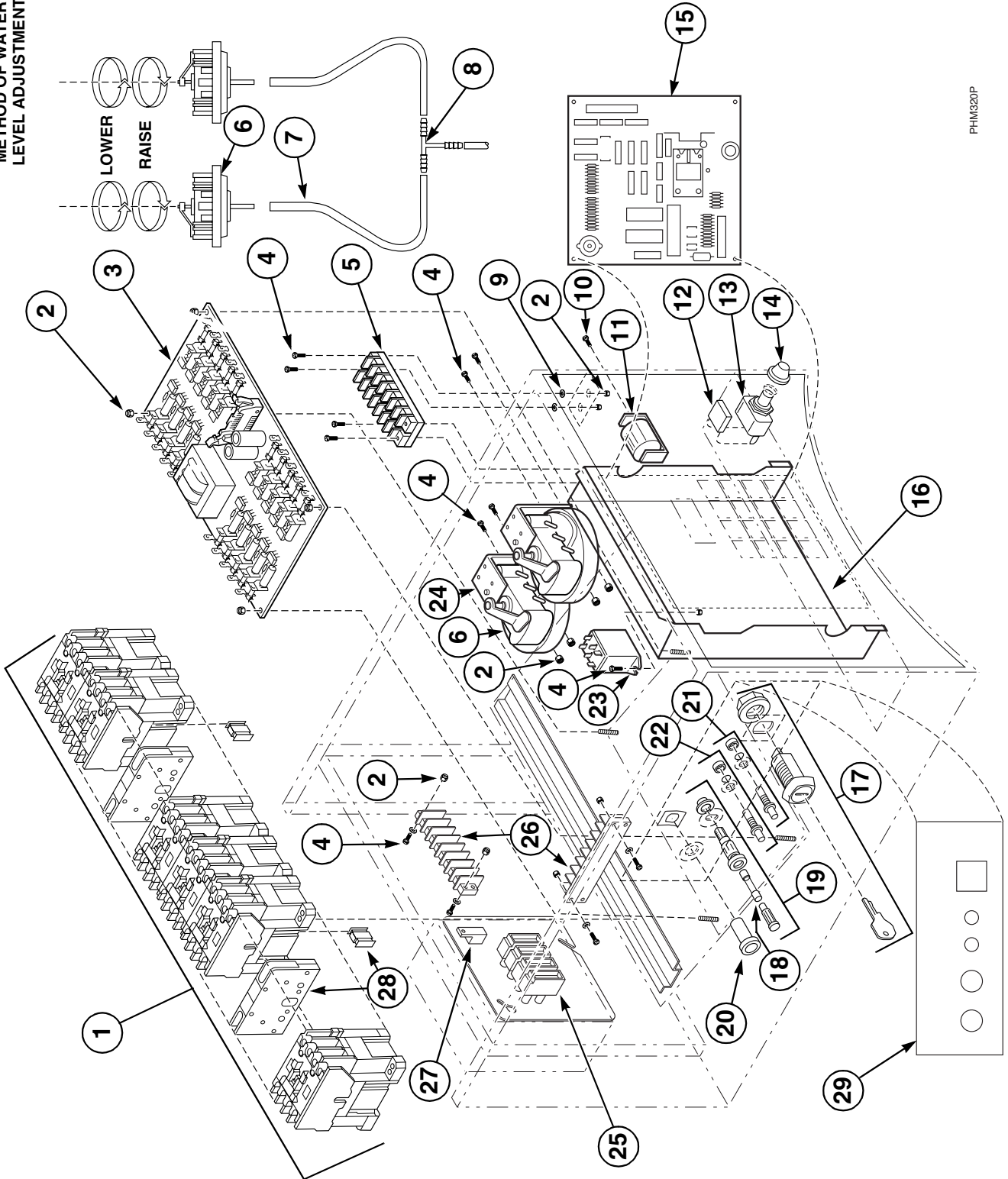
Model Identification

Information in this manual is applicable to these Washer-Extractors:

UW50P-4

WE-6 Microprocessor Control

METHOD OF WATER
LEVEL ADJUSTMENT



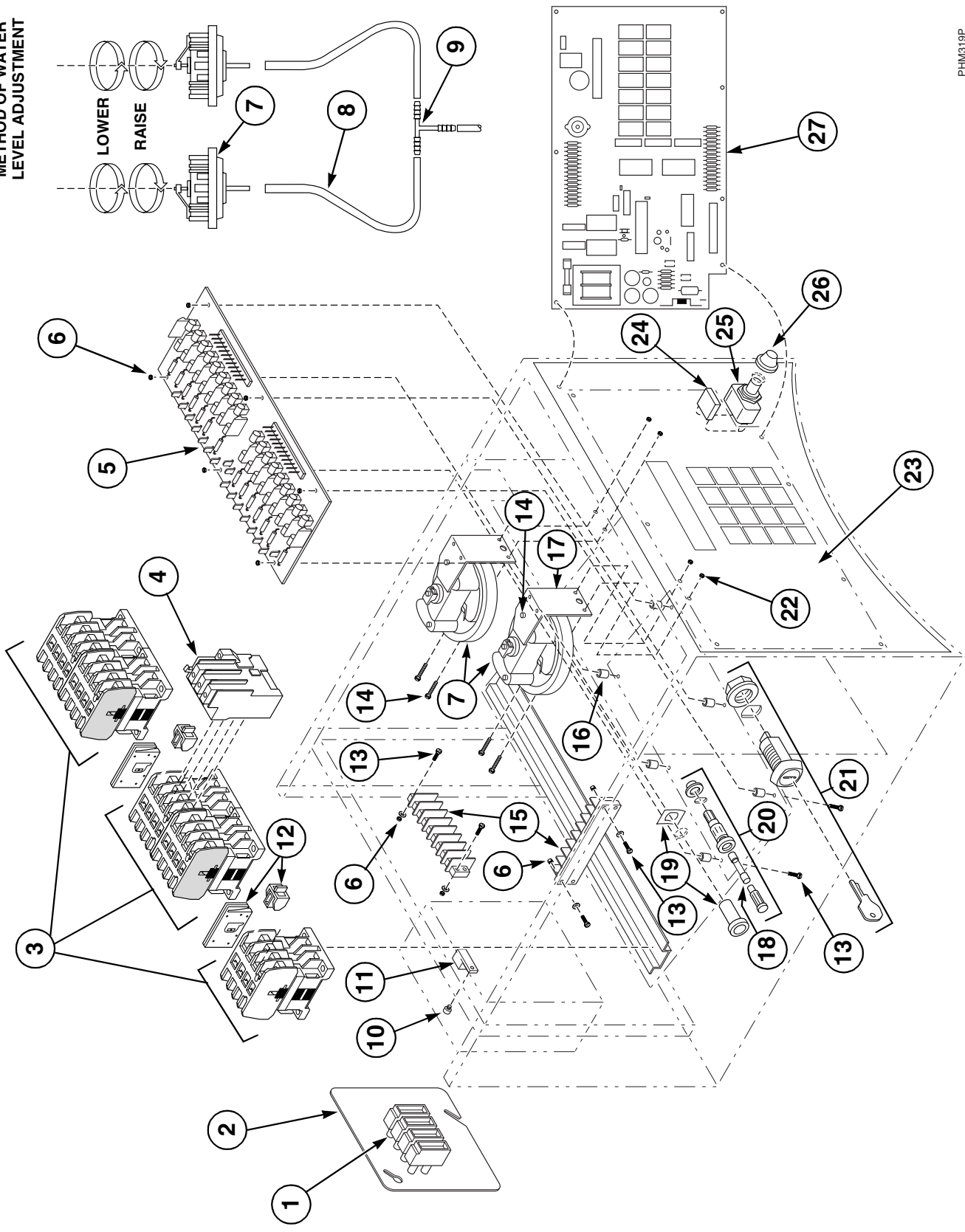
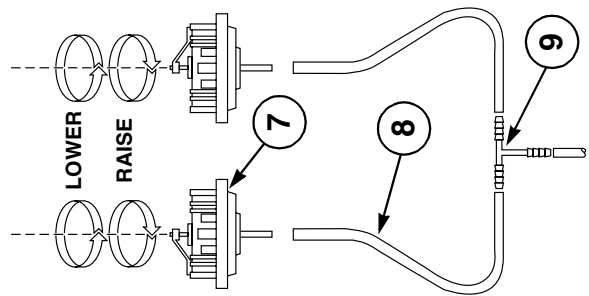
PHM320P

WE-6 Microprocessor Control

REF	PART #	DESCRIPTION	COMMENTS
1	F330175	Contactora	110 volt
	F330147	Contactora	220 volt
	F330148	Contactora	110 volt
	F330149	Contactora	220 volt
2	F431022	Nut	
3	F370444	WE-6 Solid State Fuse Board	
4	F430916	Screw	
5	F140578	Interface Connector	
6	F340308	Water Level Switch	
7	F422404	Tubing	
8	F422805	Tee	
9	F431113	Lockwasher	
10	F430928	Screw	
11	F300200	Buzzer	110 volt
	F300201	Buzzer	220 volt
12	F330217	RC Network Filter	
13	F340403	Switch	
14	F340409	Push Button Boot	
15	F370534-10	WE-6 Microprocessor Board	
16	F230664	Decal	WE-6 keyboard
17	F730186	Single Pole Switch Kit	
18	F350104	Fuse	2 amp
19	F350304	Fuseholder	
20	F140576	Indicator Light	Red - neon
21	F350400	Connector	Blue fiber optic
22	F140575	Connector	Gray fiber optic
23	F330227	Flange Relay	110 volt
	F330230	Flange Relay	220 volt
24	F603912	Level Switch Mounting Bracket	
25	F140746	Input Power Block	
26	F140738	Terminal Strip	
27	F140734	Ground Lug	
28	F330152	Interlock	
29	F230678	Decal	

WE-5 Microprocessor Control

METHOD OF WATER
LEVEL ADJUSTMENT

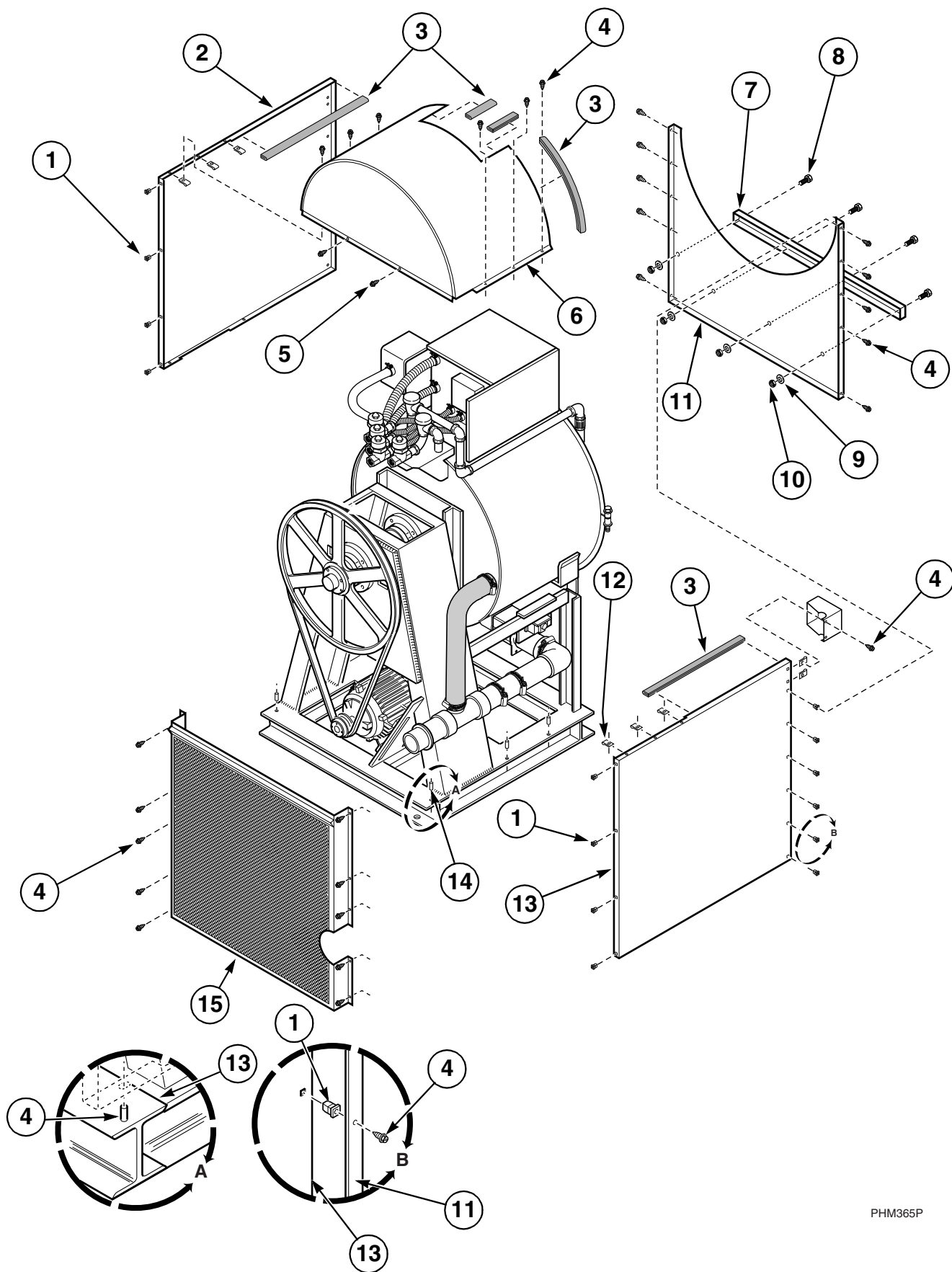


PHM319P

WE-5 Microprocessor Control

REF	PART #	DESCRIPTION	COMMENTS
1	F140746	Input Power Block	
2	F140401	Box Cover	
3	F330110	Contactator	Fwd/Rev; 110 volt
	F330114	Contactator	Fwd/Rev; 220 volt
	F330115	Contactator	Med/High; 110 volt
	F330116	Contactator	Med/High; 110 volt
4	F330136		
5	F730292	Fuseboard Kit	
6	F431022	Nut	
7	F340308	Water Level Switch	Low
	F340309	Water Level Switch	High
8	F422404	Tubing	
9	F422805	Tee	
10	F430903	Screw	
11	F140734	Terminal Ground Lug	
12	F330111	Mechanical Interlock	
13	F430916	Screw	
14	F430928	Screw	
15	F140730	Terminal Strip	
16	F431911	Nylon Spacer	
17	F603912	Level Switch Mounting Bracket	
18	F350104	Fuse	2 amp
19	F350400	Thermo-Indicator Light	
20	F350304	Fuseholder	
21	F730186	Switch Kit	
22	F431006	Nut	
23	F340600	Micro Decal Switch	
24	F330217	RC Network Filter	
25	F340409	Push Button Boot	
26	F340403	Microswitch	
27	F730293	WE-5 Microcomputer Board	With battery

Cover Panels



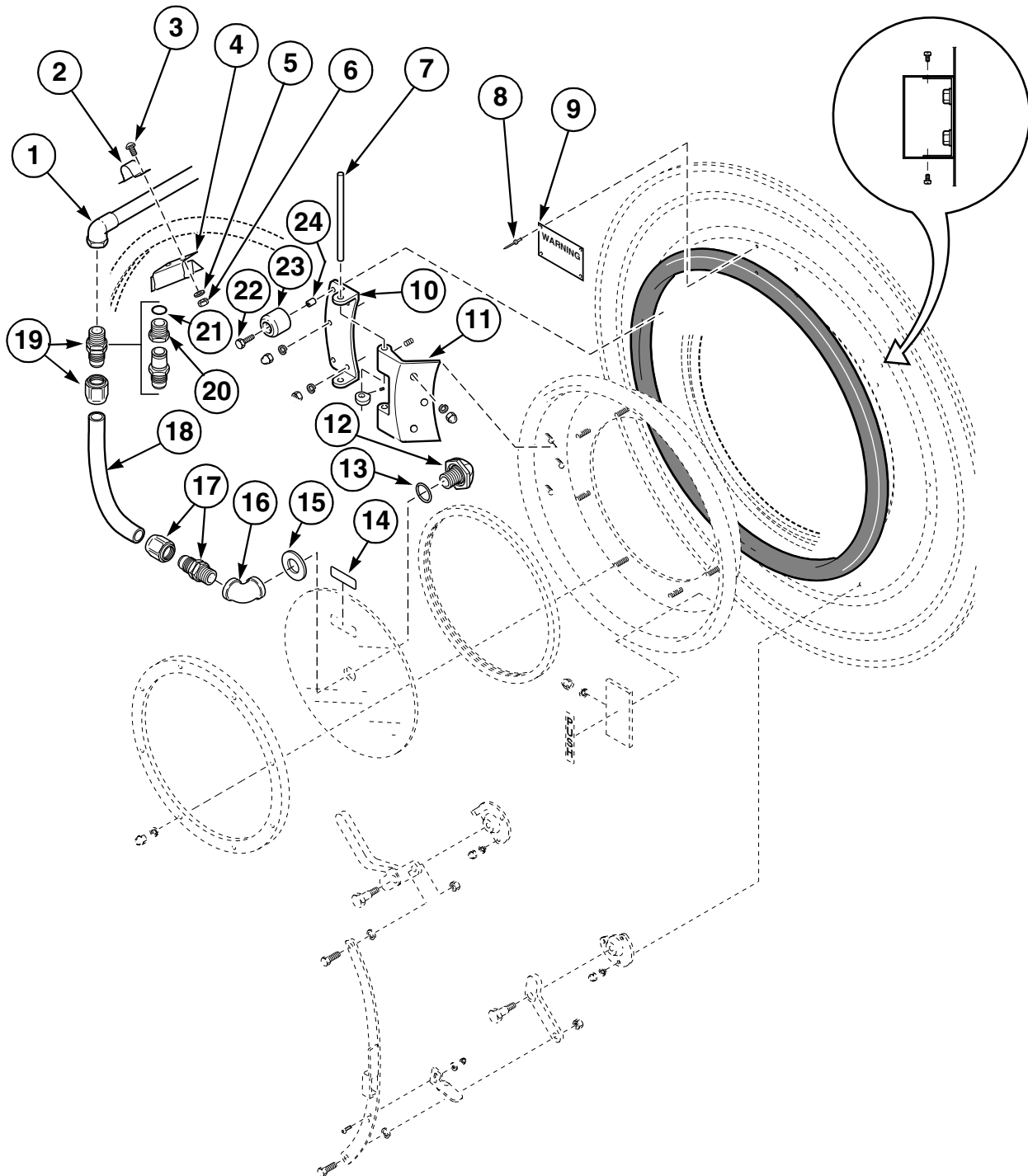
PHM365P

Cover Panels

REF	PART #	DESCRIPTION	COMMENTS
1	F431408	Plastic Inserts	
2	F601027	Right Side Panel	
3	F170401	Inner Front Panel Gasket	
4	F430901	Screw	
5	F430152	Screw	
6	F603451	Cage Wrap Assembly	
7	F601224	Rub Rail	
8	F430921	Screw	
9	F431100	Lockwasher	
10	F430211	Nut	
11	F601053	Front Panel	
12	F430606	Timmerman Nuts	
13	F602226	Left Side Panel	
14	F430415	Pin	
15	F603448	Expanded Metal Back Assembly	

Door and Related Parts

Page 1 of 2



PHM364P

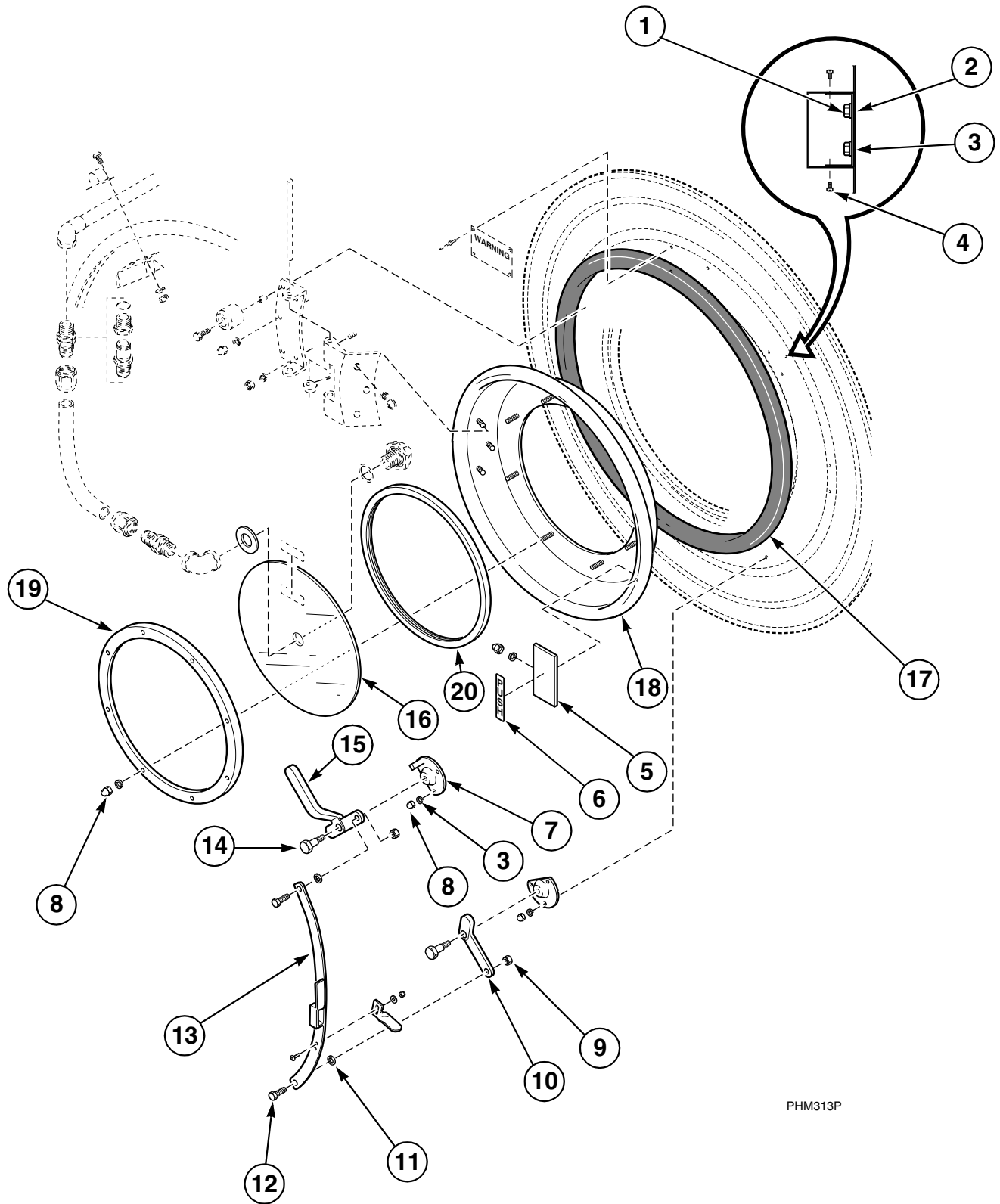
Door and Related Parts

Page 1 of 2

REF	PART #	DESCRIPTION	COMMENTS
1	F610364	Spray Rinse Tube Assembly	
2	F602880	Spray Rinse Strap	
3	F430917	Screw	
4	F601070	Spray Rinse Bracket	
5	F431113	Lockwasher	
6	F431022	Nut	
7	F601815	Door Hinge Pin	
8	F431210	Rivet	
9	F230200	Plate	Warning
10	F601245	Door Butt	
11	F601045	Door Hinge Strap	
12	F380301	Nozzle	
13	F170201	O-Ring	
14	F230652	Decal	Rotation spin
15	F431905	Washer	
16	F422319	Elbow	
17	F422104	Coupling	
18	F610066	Hose	
19	F422103	Swivel Coupling	
20	F170200	O-Ring	
21	F310200	Retainer	
22	F430103	Screw	
23	F150366	Door Bumper Moulding	
24	F430416	Bushing	

Door and Related Parts

Page 2 of 2



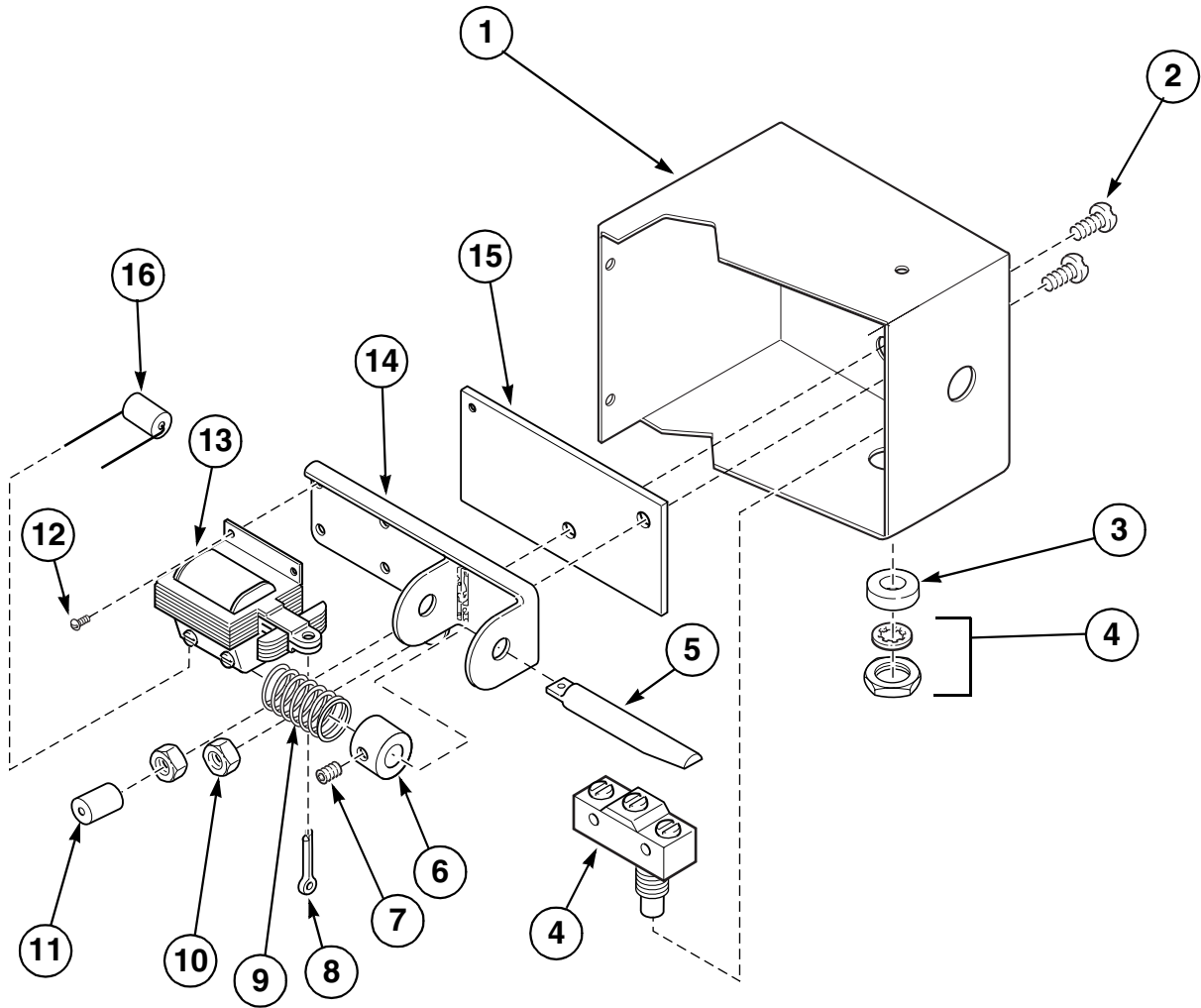
PHM313P

Door and Related Parts

Page 2 of 2

REF	PART #	DESCRIPTION	COMMENTS
1	F431055	Nut	
2	F430317	Washer	
3	F431100	Lockwasher	
4	F430904	Screw	
5	F602112	Push Handle	
6	F230303	Decal	Push
7	F601744	Top Latch Bracket	
8	F430214	Nut Cap	
9	F430205	Nut	
10	F601742	Lower Door Latch	
11	F431118	Washer	
12	F430927	Screw	
13	F601056	Door Extension Arm	
14	F430168	Screw	
15	F150203	Door Handle Casting	
16	F290200	Glass	
17	F170144	Door Gasket	
18	F601318	Door	
19	F601239	Door Glass Retainer	
20	F170117	Door Glass Gasket	

Right Door Box

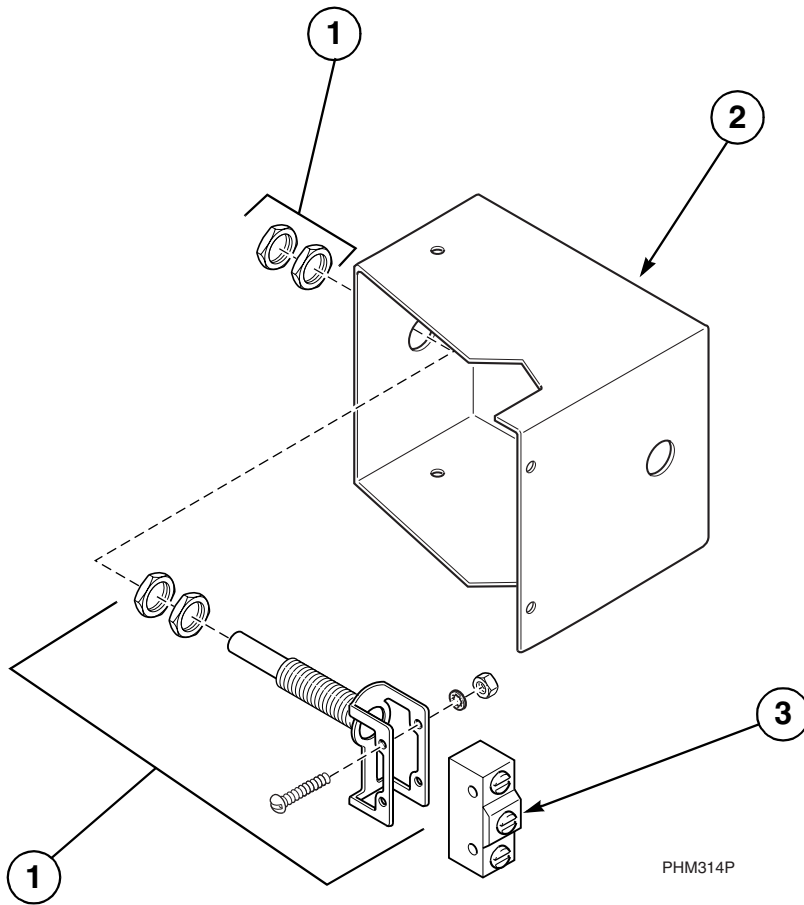


PHM318P

Right Door Box

REF	PART #	DESCRIPTION	COMMENTS
1	F601523	Right Door Box	
2	F430925	Screw	
3	F601055	Interlock Switch Spacer	
4	F340900	Door Interlock Switch	
5	F601081	Door Lock Plunger	
6	F601190	Door Lock Collar	
7	F430502	Screw	
8	F431201	Cotter Pin	
9	F310119	Door Lock Solenoid Spring	
10	F430211	Nut	
11	F190300	Cap	
12	F430917	Screw	
13	F300101	Door Solenoid	110 volt
	F300105	Door Solenoid	220 volt
14	F150200	Door Lock Bracket Casting	
15	F170135	Door Lock Solenoid Gasket	
16	F330217	RC Network Filter	

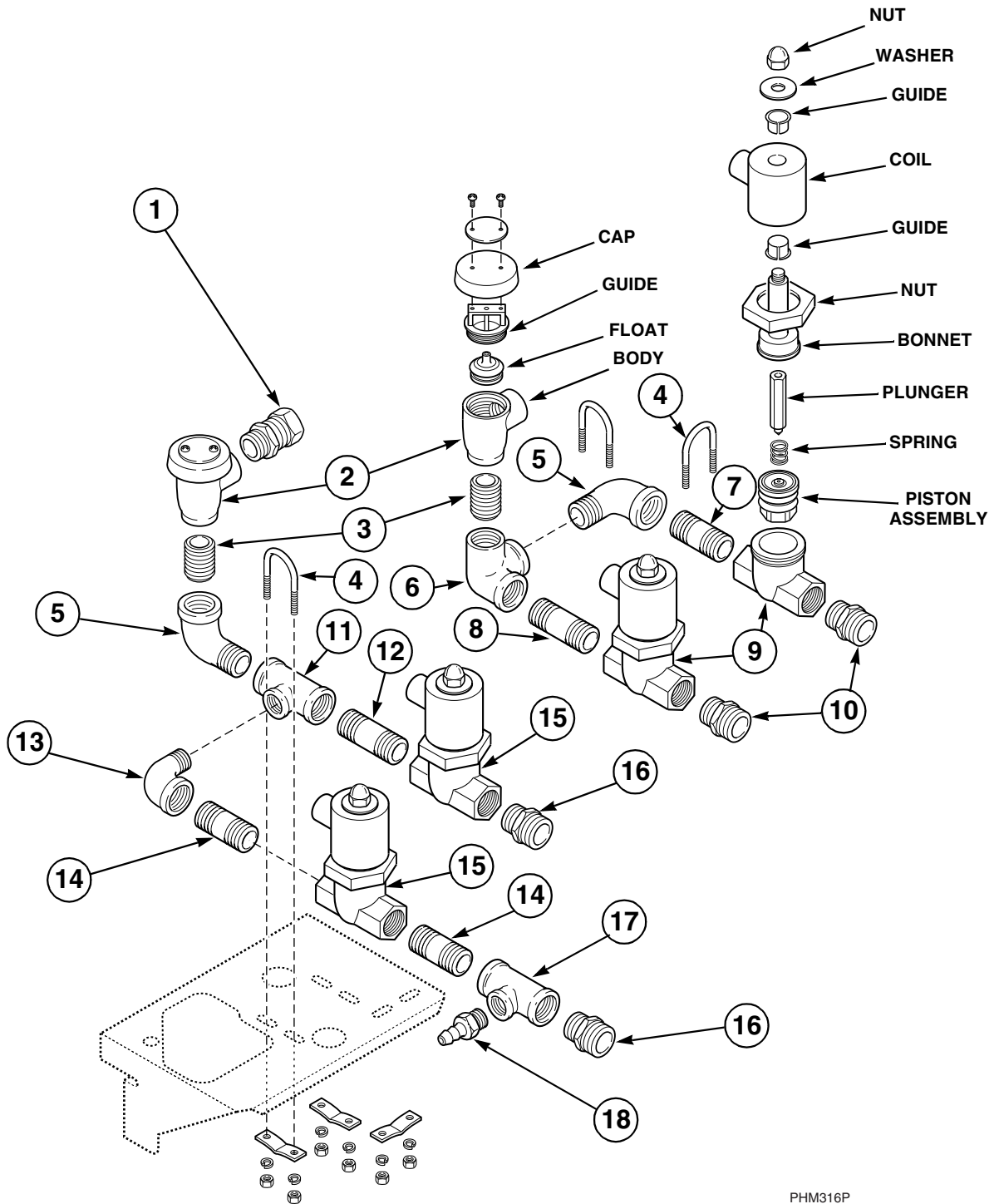
Left Door Box



Left Door Box

REF	PART #	DESCRIPTION	COMMENTS
1	F340913	Switch Extension	
2	F601522	Left Door Box	
3	F340901	Door Hinge Switch	

Spray and Fill Plumbing

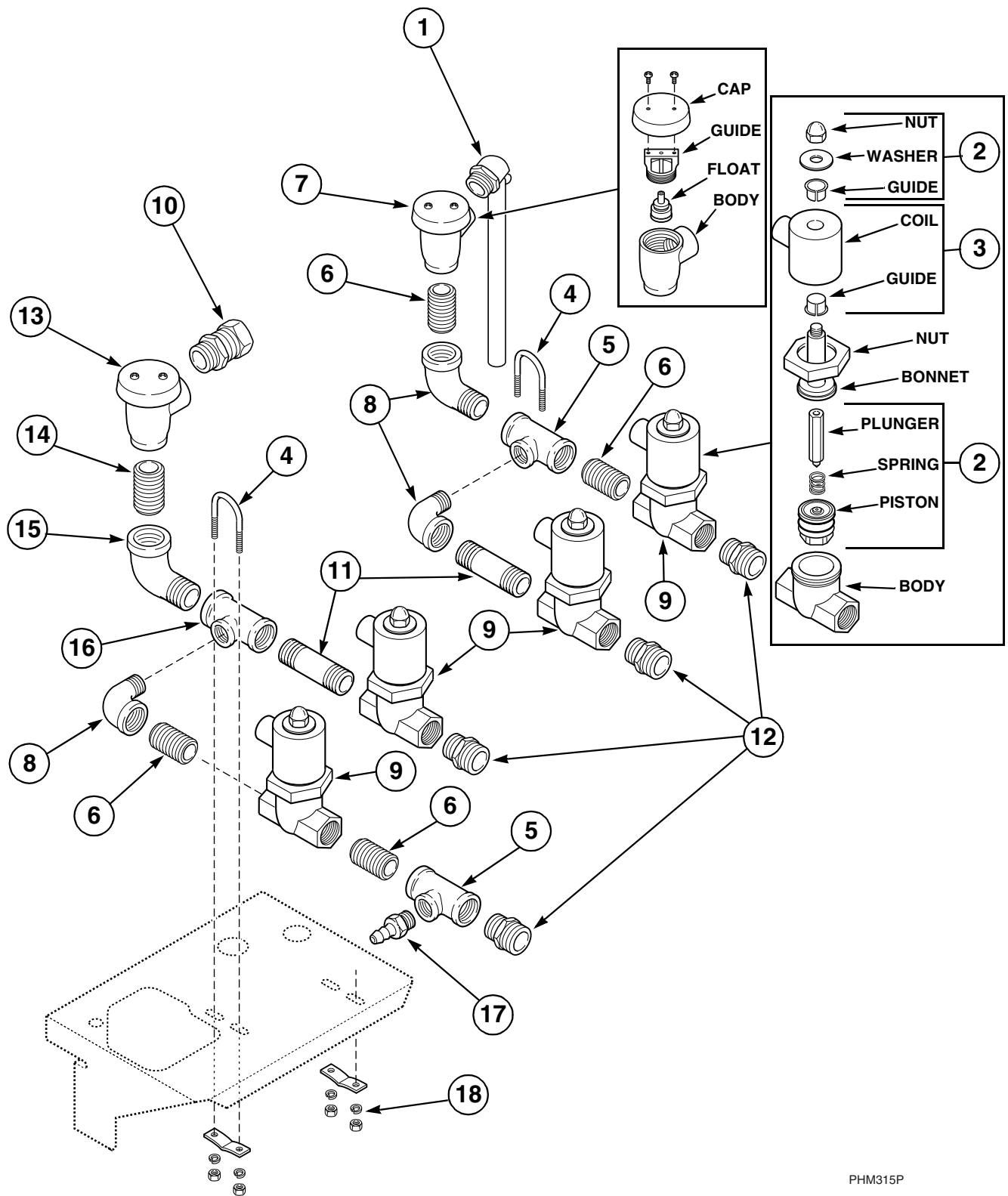


PHM316P

Spray and Fill Plumbing

REF	PART #	DESCRIPTION	COMMENTS
	F380915	Valve Repair Kit	Fill
	F380914	Valve Repair Kit	Spray
1	F422106	Connector	
2	F380800	Vacuum Breaker Valve	
3	F420105	Nipple	
4	F200401	U-Bolt Clamp	#5; Includes washers and nuts
5	F420502	Street Elbow	
6	F420509	Elbow	
7	F420106	Nipple	
8	F420108	Nipple	
9	F380702	Solenoid Valve	110 volt; Fill
	F380703	Solenoid Valve	220 volt; Fill
10	F421909	Adapter	
11	F420401	Tee	
12	F420103	Nipple	
13	F420500	Street Elbow	
14	F420101	Nipple	
15	F380700	Solenoid Valve	110 volt; Spray
	F380701	Solenoid Valve	220 volt; Spray
16	F421908	Adapter	
17	F420400	Tee	
18	F421903	Hose Barb	

Spray and Fill Plumbing

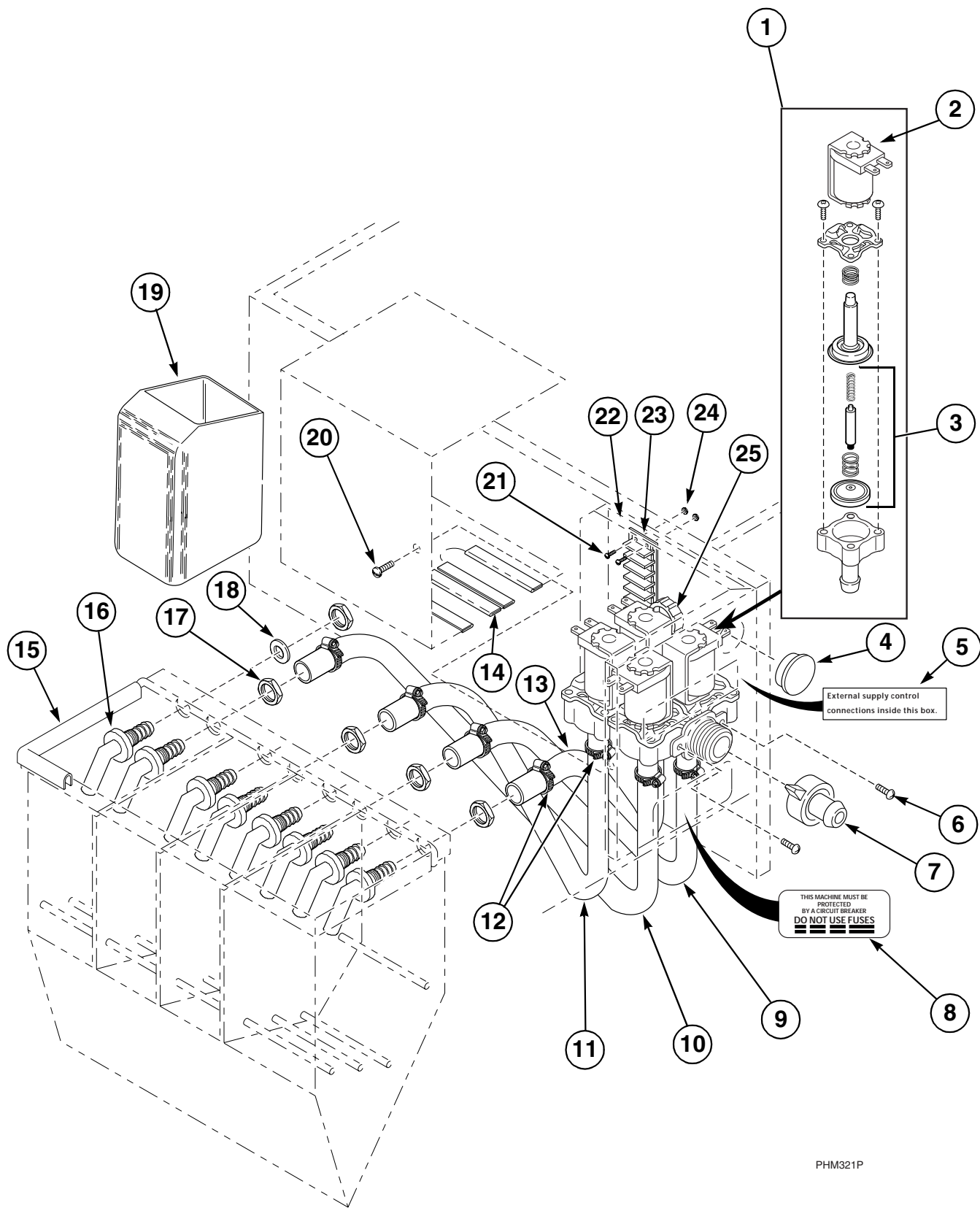


PHM315P

Spray and Fill Plumbing

REF	PART #	DESCRIPTION	COMMENTS
1	F610261	Fill Top Assembly	
2	F380914	Valve Repair Kit	
3	F380901	Coil	110 volt
	F380902	Coil	220 volt
4	F200401	U-Bolt Clamp	#5; Includes washers and nuts
5	F420400	Tee	
6	F420101	Nipple	
7	F380801	Antisiphon Valve	
8	F420500	Street Elbow	
9	F380700	Solenoid Valve	110 volt
	F380701	Solenoid Valve	220 volt
10	F422106	Connector	
11	F420103	Nipple	
12	F421908	Adapter	
13	F380800	Vacuum Breaker Valve	
14	F420105	Nipple	
15	F420502	Street Elbow	
16	F420401	Tee	
17	F421903	Adapter	
18	F420322	Lockwasher	

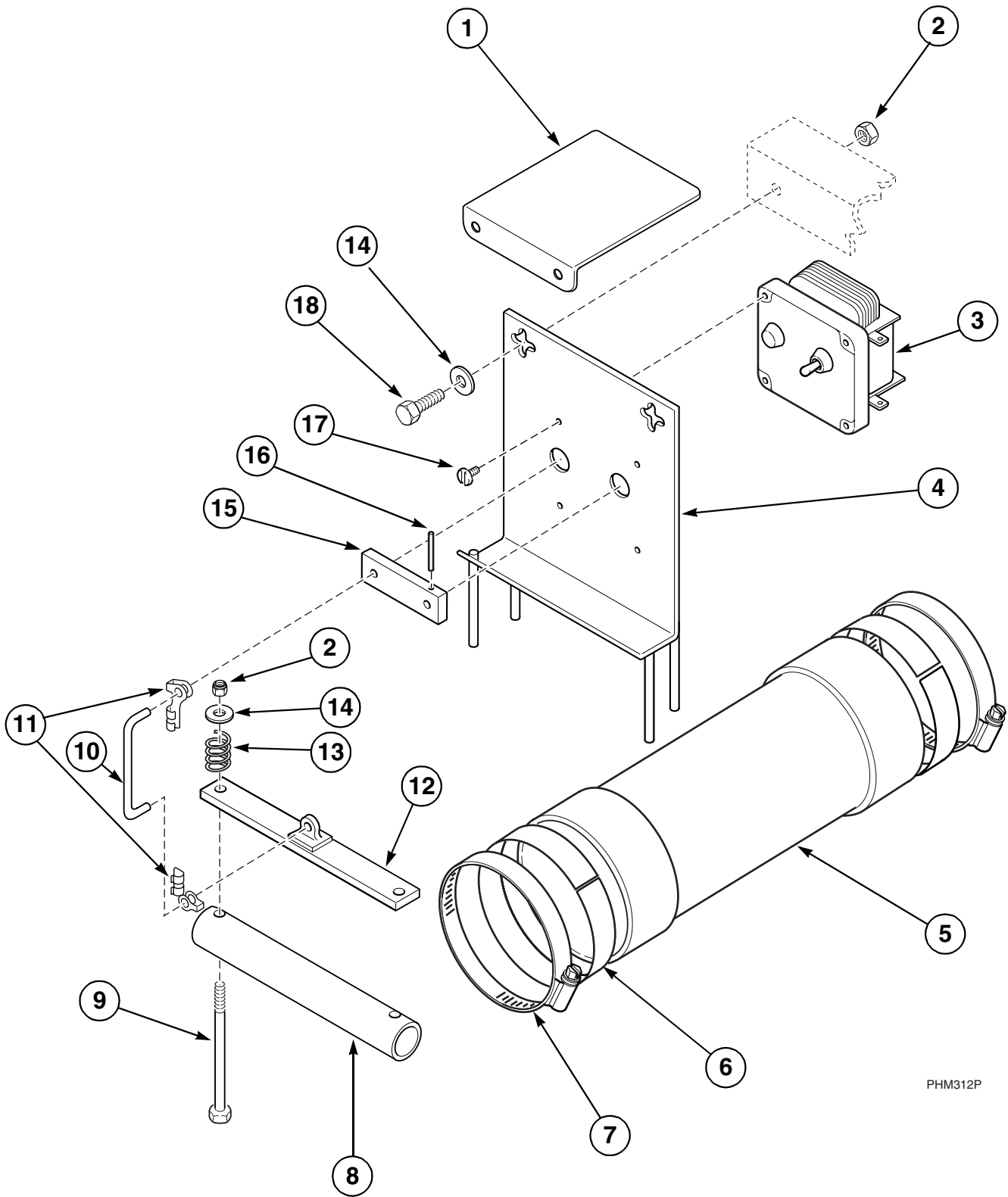
Soap Dispenser Supply Plumbing



Soap Dispenser Supply Plumbing

REF	PART #	DESCRIPTION	COMMENTS
1	F380715	4-Way Valve	110 volt
	F380725	4-Way Valve	220 volt
2	F380900	Valve Coil	120 volt
	F380917	Valve Coil	220 volt
3	F730135	Valve Repair Kit	
4	F140527	Plug	
5	F230606	Decal	
6	F430948	Screw	
7	F200302	Hose Connector	
8	F230031	Decal	
9	F610398	Hose	17"
10	F610086	Hose	18.5"
11	F610083	Hose	23"
12	F200202	Hose Clamp	#6
13	F610196	Hose	12"
14	F170402	Gasket	
15	F170400	Trim	
16	F380300	Soap Injection Nozzle	
17	F400224	Nut	
18	F170208	O-Ring	
19	F603411	Soap Supply Cup	
20	F430152	Screw	
21	F430916	Screw	
22	F230622	Decal	
23	F140738	Terminal Strip	
24	F431022	Nut	
25	F140909	Insulator Bushing	

Motorized Drain Valve

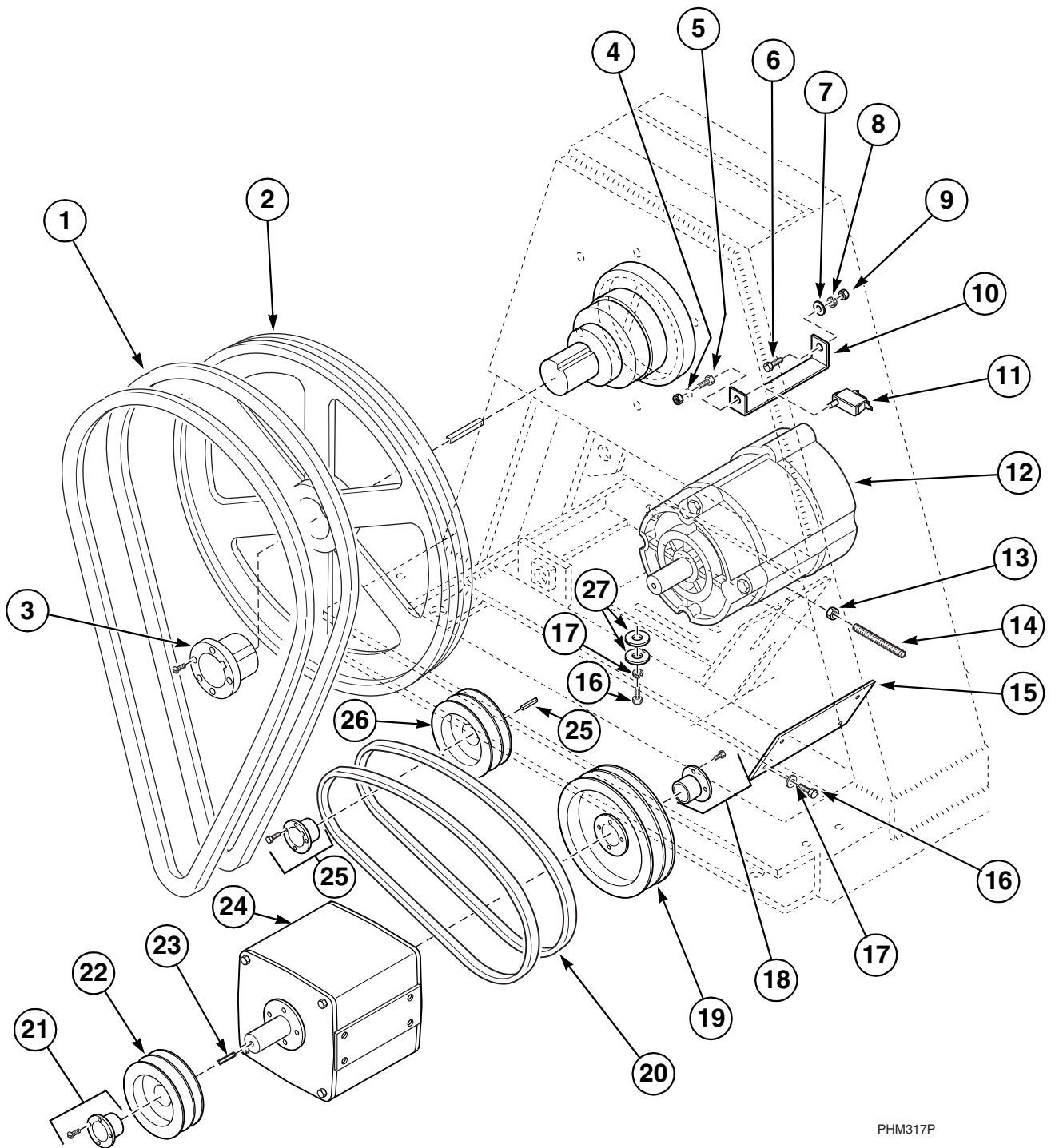


PHM312P

Motorized Drain Valve

REF	PART #	DESCRIPTION	COMMENTS
	F730001	Motorized Drain Valve Kit	110 volt
	F730002	Motorized Drain Valve Kit	220 volt
1	F602372	Motorized Drain Valve Cover	
2	F430215	Locknut	
3	F380932	Drain Valve Motor	110 volt
	F380906	Drain Valve Motor	220 volt
4	F602351	Drain Valve Bracket Assembly	
5	F200216	Hose	
6	F601244	Chafe Strip	
7	F200201	Hose Clamp	#56
8	F602101	Drain Lift Tube	
9	F430101	Screw	
10	F602274	Motorized Drain Valve Linkage	
11	F431205	Clip	
12	F603441	Lift Bar Assembly	
13	F310101	Spring	
14	F430317	Washer	
15	F602220	Motorized Drain Valve Arm	
16	F431219	Roll Pin	
17	F430920	Screw	
18	F430103	Screw	

Motors, Drives and Balance Switch



PHM317P

Motors, Drives and Balance Switch

REF	PART #	DESCRIPTION	COMMENTS
1	F280309	Belt	
2	F280256	Pulley	
3	F280213	Bushing	Includes bolts and key
4	F430206	Nut	
5	F430124	Screw	
6	F430900	Screw	
7	F430301	Washer	
8	F430305	Lockwasher	
9	F430205	Nut	
10	F601750	Balance Switch Bracket	
11	F340900	Door Interlock Switch	Includes washer and nut
	F340906	Microswitch	Includes washer and nut
12	F220306	Motor	208/240 volt; Century
	F220334	Motor	440/480 volt; Elmo
	F220307	Motor	440/480 volt; Century
	F220335	Motor	
13	F430205	Nut	208/240 volt; Elmo
14	F430509	Bolt	
15	F601863	Motor Reinforcement Plate	
16	F430109	Screw	
17	F430305	Lockwasher	
18	F280211	Bushing	Includes bolts
19	F280160	Pulley	
20	F280306	Belt	
21	F280211	Bushing	Includes bolts
22	F280128	Pulley	60 Hertz
	F280149	Pulley	50 Hertz
23	F602258	Key	
24	F220304	Motor	208/240 volt
	F220305	Motor	380/415 volt
25	F280212	Bushing	Includes bolts and key
26	F280128	Pulley	
27	F430702	Washer	

Parts Index

A

Adapter	
F421903	21
F421908	19, 21
F421909	19
Antisiphon Valve	
F380801	21

B

Balance Switch Bracket	
F601750	27
Belt	
F280306	27
F280309	27
Bolt	
F430509	27
Box Cover	
F140401	7
Bushing	
F280211	27
F280212	27
F280213	27
F430416	11
Buzzer	
F300200	5
F300201	5

C

Cage Wrap Assembly	
F603451	9
Cap	
F190300	15
Chafe Strip	
F601244	25
Clip	
F431205	25
Coil	
F380901	21
F380902	21
Connector	
F140575	5
F350400	5
F422106	19, 21
Contacto	
F330110	7
F330114	7
F330115	7
F330116	7
F330147	5
F330148	5
F330149	5
F330175	5
Cotter Pin	
F431201	15
Coupling	
F422104	11

D

Decal	
F230031	23
F230303	13
F230606	23
F230622	23
F230652	11
F230664	5
F230678	5
Door	
F601318	13
Door Bumper Moulding	
F150366	11
Door Butt	
F601245	11
Door Extension Arm	
F601056	13
Door Gasket	
F170144	13
Door Glass Gasket	
F170117	13
Door Glass Retainer	
F601239	13
Door Handle Casting	
F150203	13
Door Hinge Pin	
F601815	11
Door Hinge Strap	
F601045	11
Door Hinge Switch	
F340901	17
Door Interlock Switch	
F340900	15, 27
Door Lock Bracket Casting	
F150200	15
Door Lock Collar	
F601190	15
Door Lock Plunger	
F601081	15
Door Lock Solenoid Gasket	
F170135	15
Door Lock Solenoid Spring	
F310119	15
Door Solenoid	
F300101	15
F300105	15
Drain Lift Tube	
F602101	25
Drain Valve Bracket Assembly	
F602351	25
Drain Valve Motor	
F380906	25
F380932	25

E

Elbow	
F420509	19
F422319	11
Expanded Metal Back Assembly	
F603448	9

F

Fill Top Assembly	
F610261	21
Flange Relay	
F330227	5
F330230	5
4-Way Valve	
F380715	23
F380725	23
Front Panel	
F601053	9
Fuse	
F350104	5, 7
Fuseboard Kit	
F730292	7
Fuseholder	
F350304	5, 7

G

Gasket	
F170402	23
Glass	
F290200	13
Ground Lug	
F140734	5

H

Hose	
F200216	25
F610066	11
F610083	23
F610086	23
F610196	23
F610398	23
Hose Barb	
F421903	19
Hose Clamp	
F200201	25
F200202	23
Hose Connector	
F200302	23

I

Indicator Light	
F140576	5
Inner Front Panel Gasket	
F170401	9

Input Power Block	
F140746	5, 7
Insulator Bushing	
F140909	23
Interface Connector	
F140578	5
Interlock	
F330152	5
Interlock Switch Spacer	
F601055	15

K

Key	
F602258	27

L

Left Door Box	
F601522	17
Left Side Panel	
F602226	9
Level Switch Mounting Bracket	
F603912	5, 7
Lift Bar Assembly	
F603441	25
Locknut	
F430215	25
Lockwasher	
F420322	21
F430305	27
F431100	9, 13
F431113	5, 11
Lower Door Latch	
F601742	13

M

Mechanical Interlock	
F330111	7
Micro Decal Switch	
F340600	7
Microswitch	
F340403	7
F340906	27
Motor	
F220304	27
F220305	27
F220306	27
F220307	27
F220334	27
F220335	27
Motor Reinforcement Plate	
F601863	27
Motorized Drain Valve Arm	
F602220	25
Motorized Drain Valve Cover	
F602372	25
Motorized Drain Valve Kit	
F730001	25
F730002	25

Motorized Drain Valve Linkage F602274	25
--	----

N

Nipple	
F420101	19, 21
F420103	19, 21
F420105	19, 21
F420106	19
F420108	19
Nozzle	
F380301	11
Nut	
F400224	23
F430205	13, 27
F430206	27
F430211	9, 15
F431006	7
F431022	5, 7, 11, 23
F431055	13
Nut Cap	
F430214	13
Nylon Spacer	
F431911	7

O

O-Ring	
F170200	11
F170201	11
F170208	23

P

Pin	
F430415	9
Plastic Inserts	
F431408	9
Plate	
F230200	11
Plug	
F140527	23
Pulley	
F280128	27
F280149	27
F280160	27
F280256	27
Push Button Boot	
F340409	5, 7
Push Handle	
F602112	13

R

RC Network Filter	
F330217	5, 7, 15
Retainer	
F310200	11
Right Door Box	
F601523	15

Right Side Panel	
F601027	9
Rivet	
F431210	11
Roll Pin	
F431219	25
Rub Rail	
F601224	9

S

Screw	
F430101	25
F430103	11, 25
F430109	27
F430124	27
F430152	9, 23
F430168	13
F430502	15
F430900	27
F430901	9
F430903	7
F430904	13
F430916	5, 7, 23
F430917	11, 15
F430920	25
F430921	9
F430925	15
F430927	13
F430928	5, 7
F430948	23
Single Pole Switch Kit	
F730186	5
Soap Injection Nozzle	
F380300	23
Soap Supply Cup	
F603411	23
Solenoid Valve	
F380700	19, 21
F380701	19, 21
F380702	19
F380703	19
Spray Rinse Bracket	
F601070	11
Spray Rinse Strap	
F602880	11
Spray Rinse Tube Assembly	
F610364	11
Spring	
F310101	25
Street Elbow	
F420500	19, 21
F420502	19, 21
Switch	
F340403	5
Switch Extension	
F340913	17
Switch Kit	
F730186	7
Swivel Coupling	
F422103	11

T

Tee	
F420400	19, 21
F420401	19, 21
F422805	5, 7
Terminal Ground Lug	
F140734	7
Terminal Strip	
F140730	7
F140738	5, 23
Thermo-Indicator Light	
F350400	7
Timmerman Nuts	
F430606	9
Top Latch Bracket	
F601744	13
Trim	
F170400	23
Tubing	
F422404	5, 7

U

U-Bolt Clamp	
F200401	19, 21

V

Vacuum Breaker Valve	
F380800	19, 21
Valve Coil	
F380900	23
F380917	23
Valve Repair Kit	
F380914	19, 21
F380915	19
F730135	23

W

Washer	
F430301	27
F430317	13, 25
F430702	27
F431118	13
F431905	11
Water Level Switch	
F340308	5, 7
F340309	7
WE-5 Microcomputer Board	
F730293	7
WE-6 Microprocessor Board	
F370534-10	5
WE-6 Solid State Fuse Board	
F370444	5