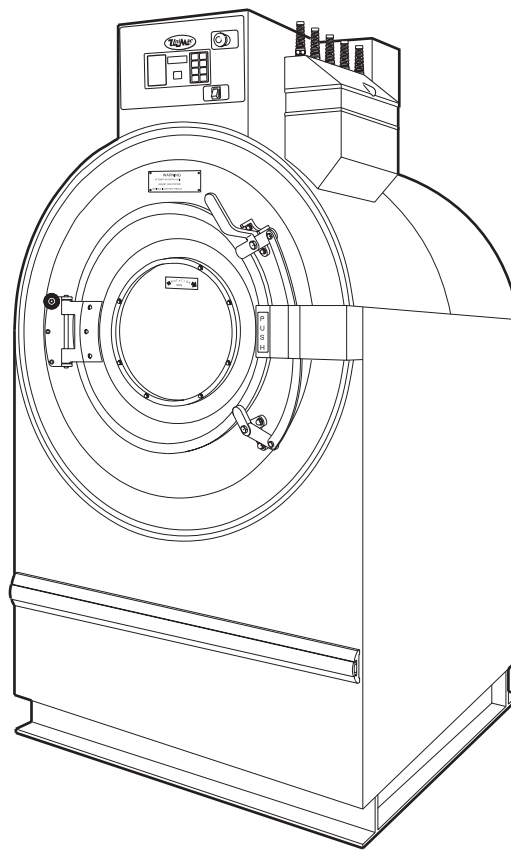


Washer-Extractors

Pocket Hardmount

UW60B2

Parts



PHM1383C

Table of Contents

Title	Page
Parts Ordering Information	2
Nameplate Location	2
Model Identification	3
Decals	4
Control Module	6
Control Module	8
Control Module	10
Supply Dispenser	12
Fill Plumbing	14
Drain System, Overflow and Vent Pipes	16
Basket, Shell and Frame	18
Door	20
Door Lock	22
Panels	24
Motor and Pulley	26
Electric Heat Option	28
Transformers and Steam Heat Option	30
Security Fasteners	32
Parts Index	33

© Copyright 2003, Alliance Laundry Systems LLC

All rights reserved. No part of the contents of this book may be reproduced or transmitted in any form or by any means without the expressed written consent of the publisher.

Parts Ordering Information

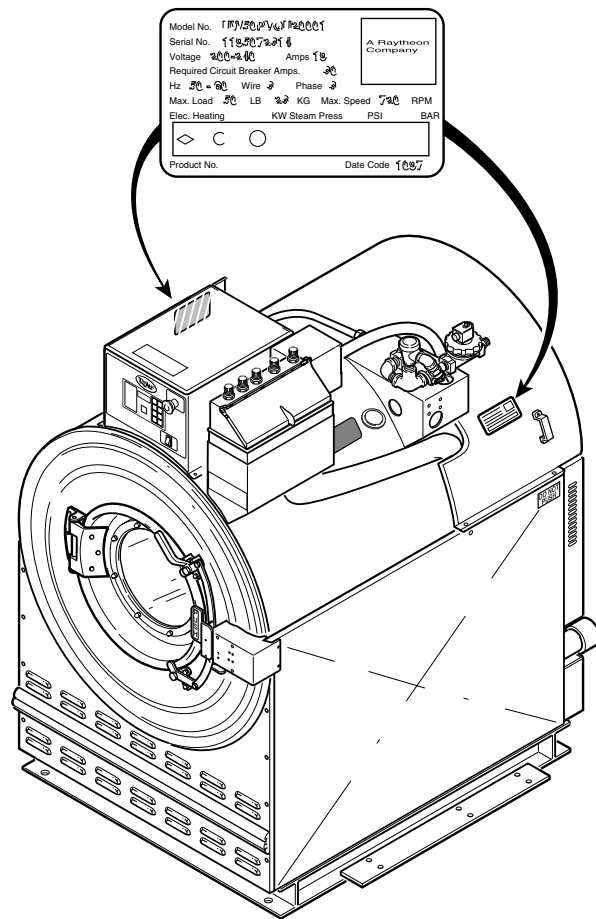
Alliance Laundry Systems is not responsible for personal injury or property damage resulting from improper service. Review all service information before beginning repairs.

For technical assistance, call (850) 718-1026.

If literature or replacement parts are required, contact the source from whom the machine was purchased or contact Alliance Laundry Systems at (920) 748-3950 for the name of the nearest authorized parts distributor.

Nameplate Location

When calling or writing about your product, be sure to mention model and serial numbers. Model and serial numbers are located on nameplate(s) as shown.



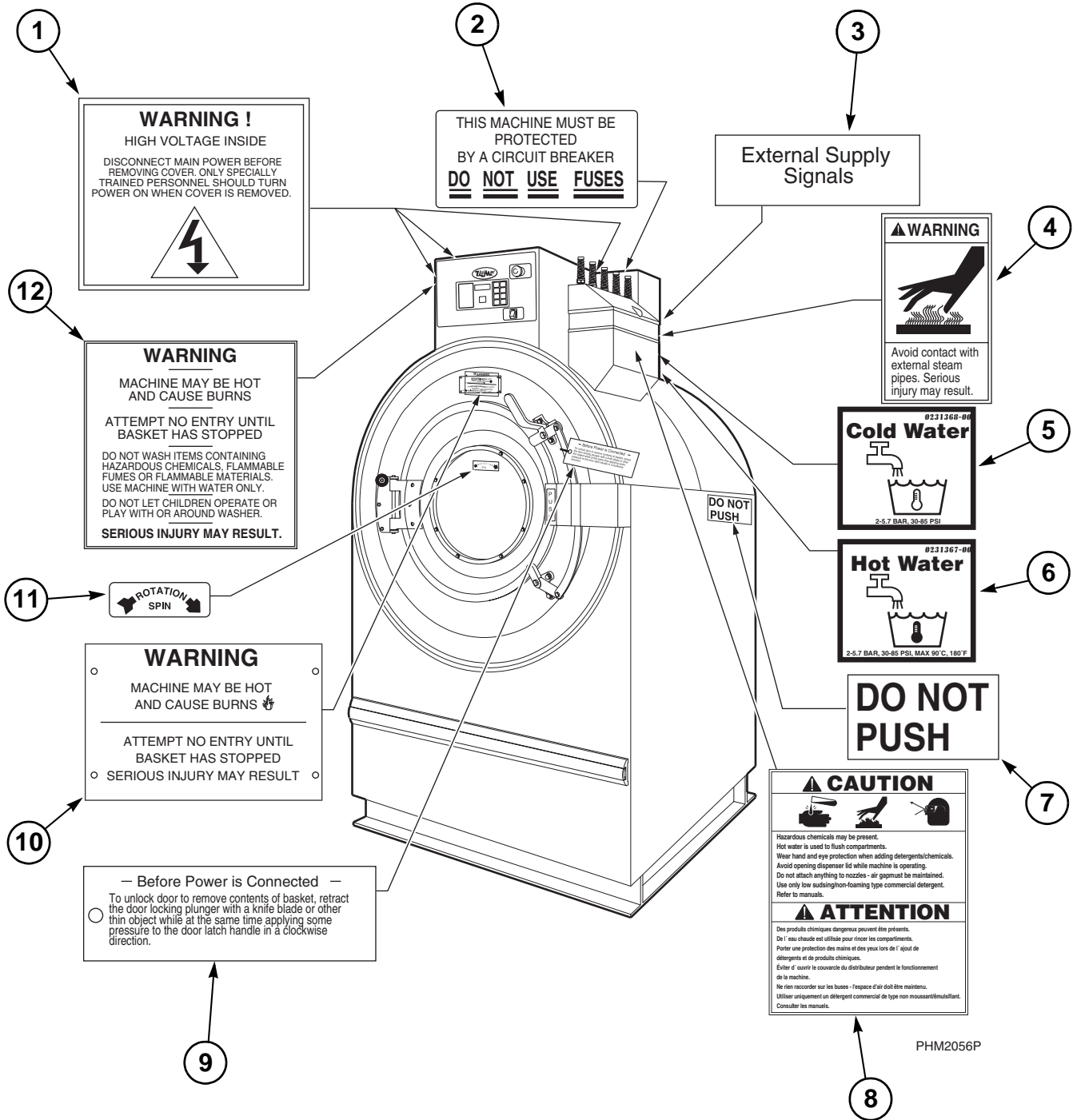
PHM2016P

Model Identification

Information in this manual is applicable to these washer-extractors:

UW60B2

Decals

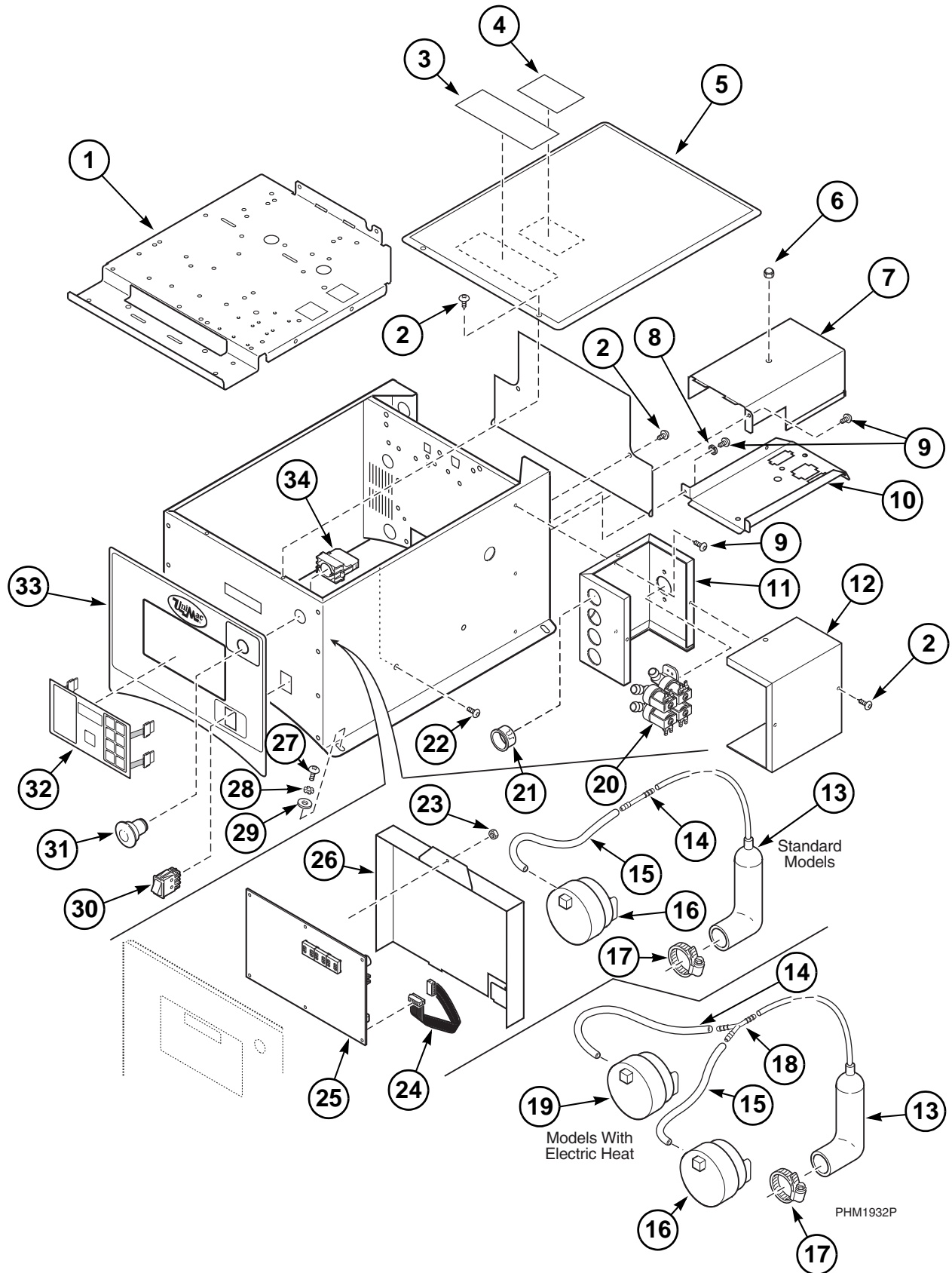


Decals

REF	PART #	DESCRIPTION	COMMENTS
1	F230206	Decal	
2	F230301	Decal	
3	F231345-4	Decal	
4	F231380	Decal	
5	F231368	Decal	
6	F231367	Decal	
7	F230302	Decal	
8	F231436	Decal	
9	F230501	Tag	
10	F230218	Plate	
11	F230652	Decal	
12	F231065	Decal	

Control Module

Page 1 of 3



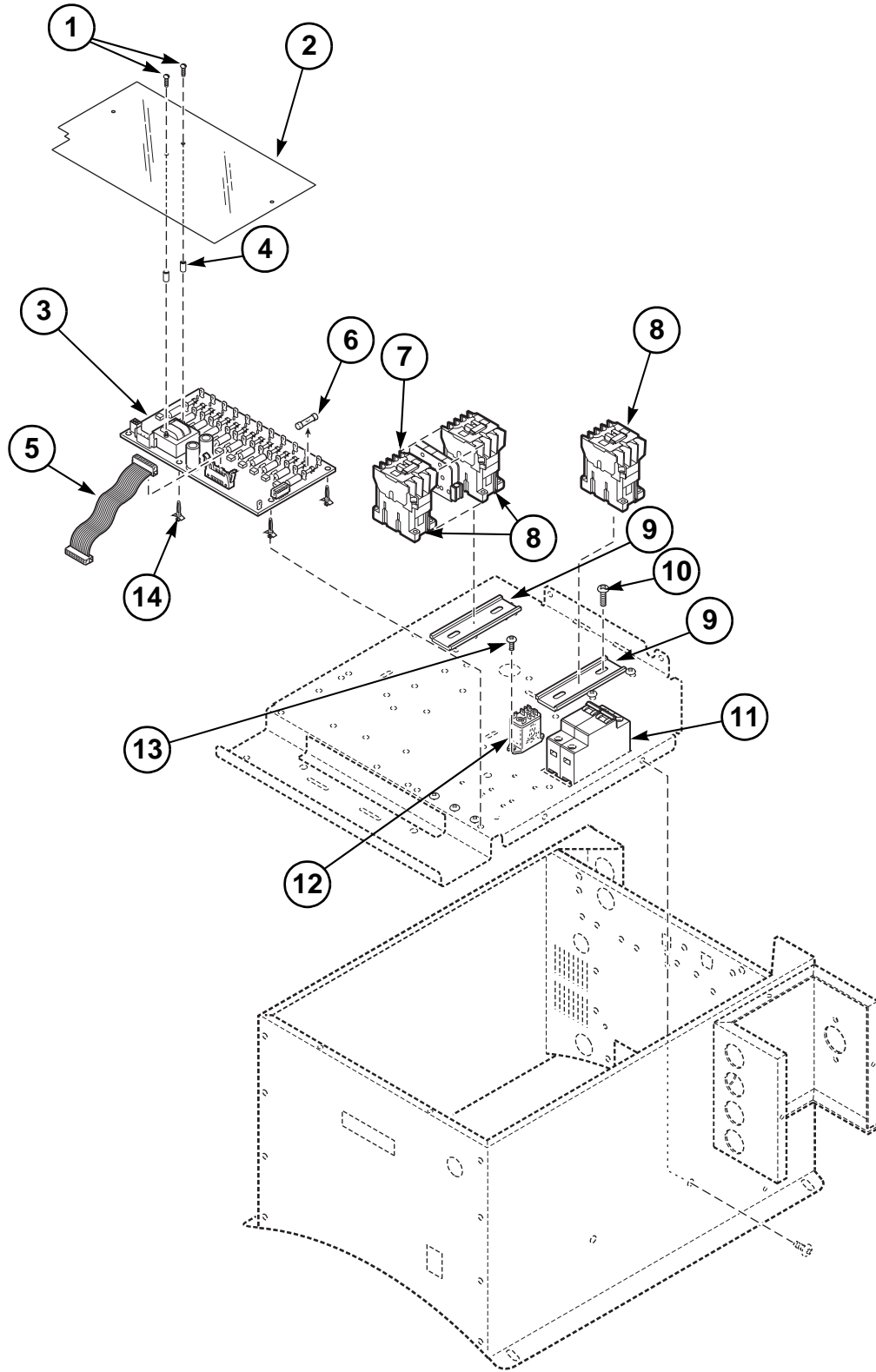
Control Module

Page 1 of 3

REF	PART #	DESCRIPTION	COMMENTS
1	F635374	Control Mounting Panel Assembly	
2	F430174	Screw	
3	F230206	Decal	Warning: High voltage
4	F231572-1	Decal	Warning: Control voltage
5	F635456	Control Module Cover	
6	F431026	Nut	
7	F635476	Cable Tray Cover	
8	F431113	Lockwasher	
9	F430917	Screw	
10	F635615-1	Cable Tray Assembly	
11	F635468	External Supply Box	
12	F635365	External Supply Box Cover	
13	F200142	Air Trap Hose	
14	F422500	Connector	
15	F422404	Tubing	Order 4 feet
16	F0340347-10	Water Level Switch	
17	F200215	Clamp	#28
18	F422806	Tee	
19	F340443	Water Pressure Switch	1 level
20	F381723	4-Way Valve	
21	F140938	Bushing	
22	F430928	Screw	
23	F431000	Nut	
24	F140247	Ribbon Cable	26 pin; 8 inch
25	F0370455-20	Computer	
26	F0636887-00	Cover	
27	F430904	Screw	
28	F431108	Lockwasher	
29	F431123	Washer	
30	F340412	Momentary Switch	
31	F340718	Emergency Stop Pushbutton	
32	F0231582-01	Keypad	
33	F0231565-00	Decal	Control module
34	F340445	Contact Block Switch	

Control Module

Page 2 of 3



PHM2128P

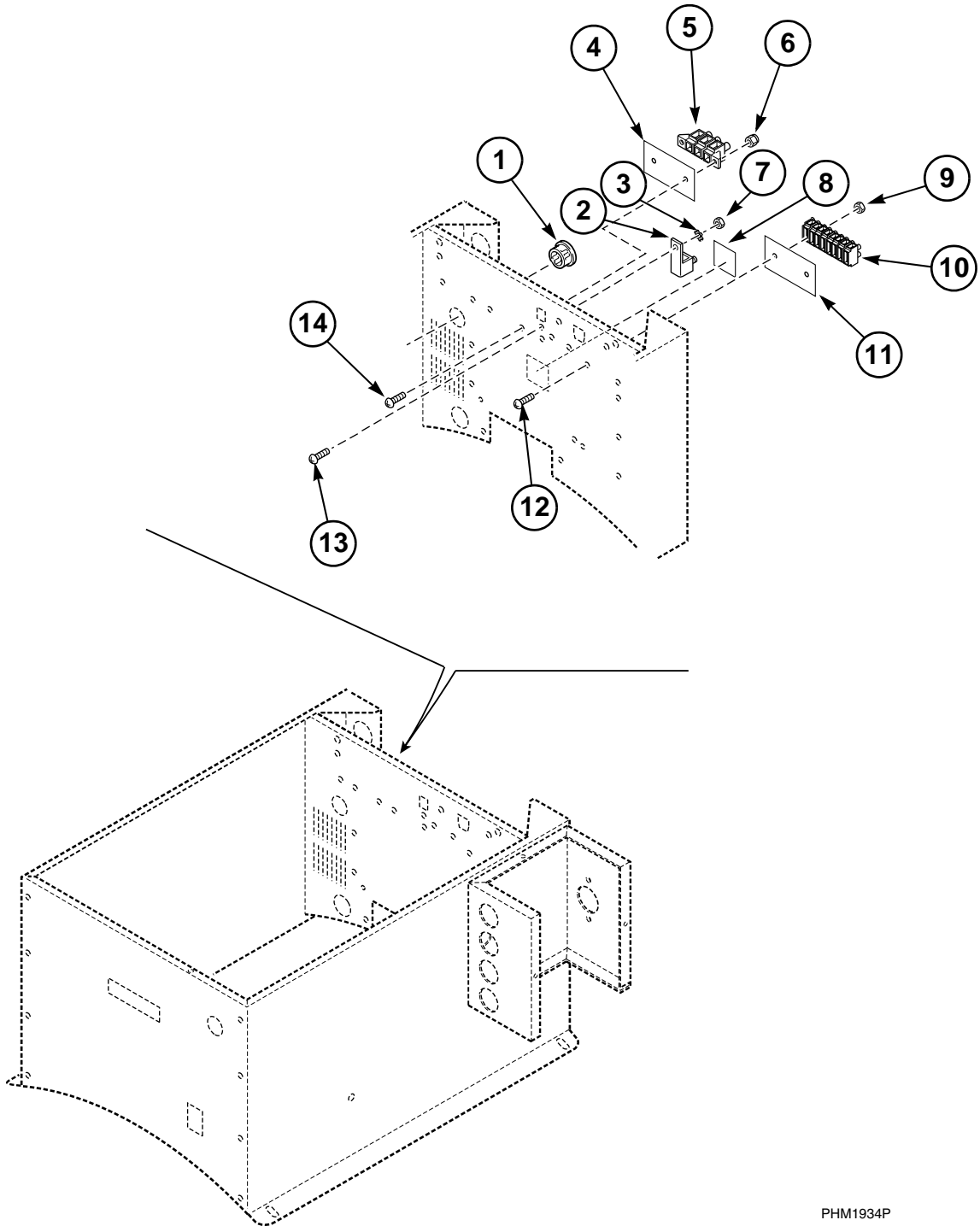
Control Module

Page 2 of 3

REF	PART #	DESCRIPTION	COMMENTS
1	F431702	Screw	
2	F0170427-00	Output Board Cover	
3	F0370448-33	Output CCA	
4	F431806	Standoff Nut	
5	F140247	Ribbon Cable	26 pin; 8 inch
6	F350110	Fuse	1 Amp; Slo blo
	F350109	Fuse	1/2 Amp; Fast blo
	F350108	Fuse	1/8 Amp; Slo blo
7	F330186	Interlock Contactor	
8	F330177	Contactor	
9	F602595-5	Mounting Rail	
10	F430903	Screw	
11	F350217	Circuit Breaker	F and C-voltage models only
12	F330230	Flange Relay	220 Volt
13	F430928	Screw	
14	F180501	Standoff	

Control Module

Page 3 of 3



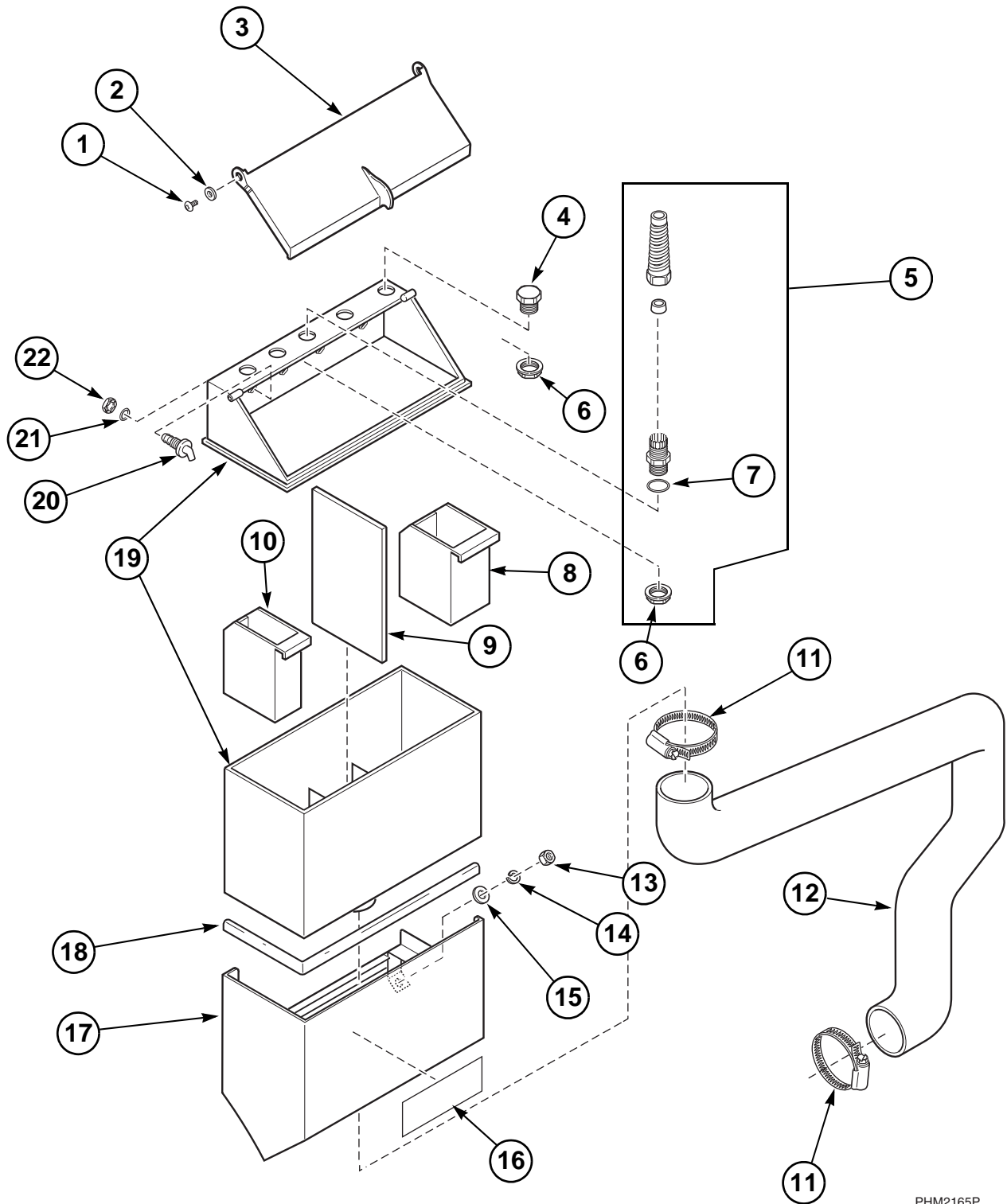
PHM1934P

Control Module

Page 3 of 3

REF	PART #	DESCRIPTION	COMMENTS
1	F140909	Bushing	
2	F140734	Terminal Ground Lug	
3	F431106	Lockwasher	
4	F231437	Decal	Input power
5	F140794-1	Input Power Block	
6	F430231	Locknut	
7	F431000	Nut	
8	F230630	Decal	Ground
9	F430231	Locknut	
10	F140776	Terminal Block	
11	F230764-11	Decal	Terminal block; O-voltage models
	F230764-12	Decal	Terminal block; F-voltage models
12	F430910	Screw	
13	F430995	Screw	
14	F430920	Screw	

Supply Dispenser

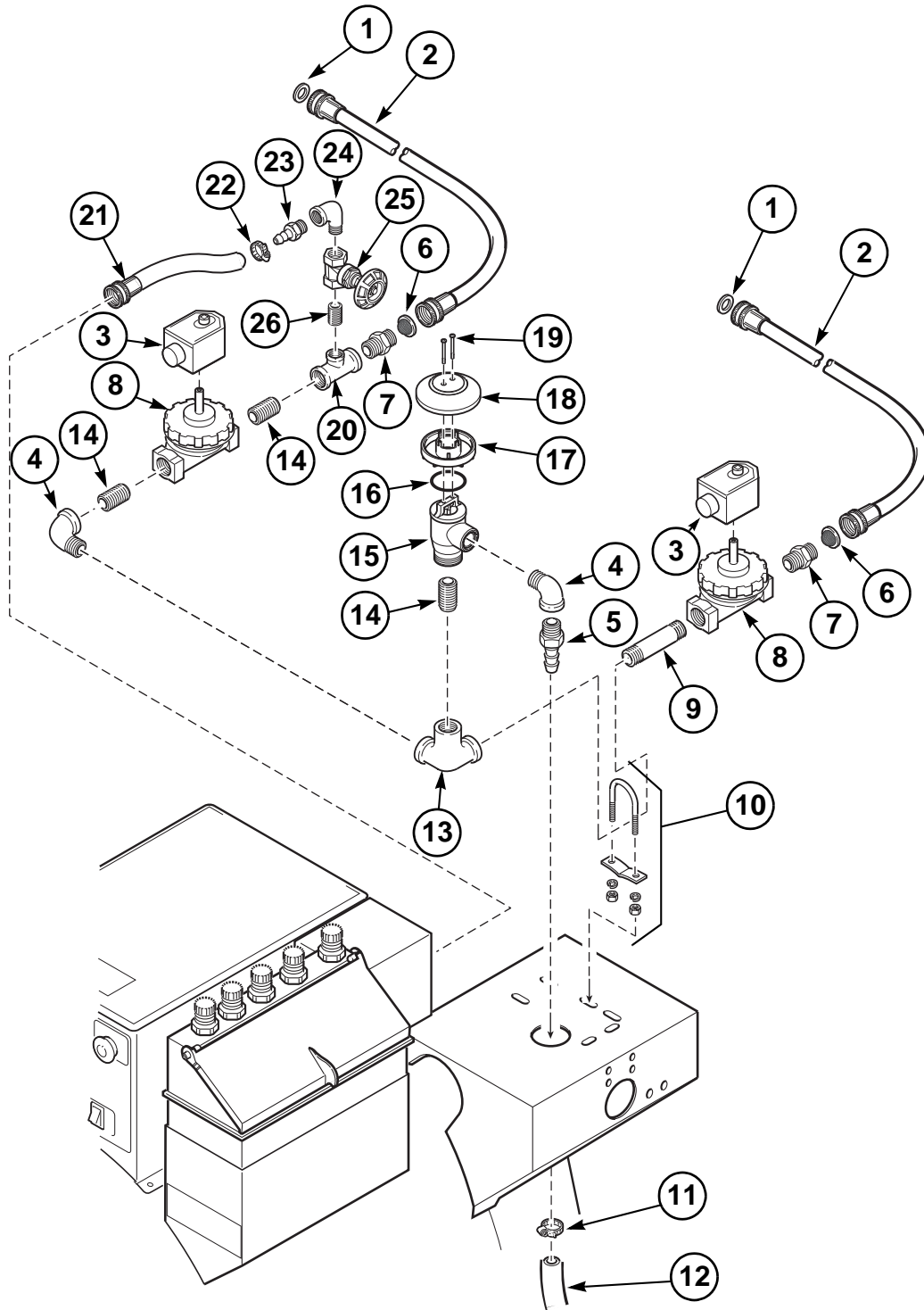


PHM2165P

Supply Dispenser

REF	PART #	DESCRIPTION	COMMENTS
1	F430917	Screw	
2	F431133	Washer	
3	F0150514-00	Dispenser Lid	
4	F190304	Plug Cap	
5	F749802	Strain Relief Adapter Kit	Includes items 6 and 7
6	F140340	Strain Relief Connector	
7	F170215	O-Ring	
8	F150386	Chemical Supply Cup	32 ounce
9	F0150525-00	Spacer	
10	F150385	Chemical Supply Cup	20 ounce
11	F200213	Clamp	#40
12	F150469	Chemical Supply Hose	
13	F431005	Nut	
14	F431100	Lockwasher	
15	F431147	Washer	
16	F231436	Decal	Caution: Supply dispenser
17	F633032	Shroud Weldment	Stainless steel
18	F170400	Trim	Order 4 feet
19	F0150512-00	Dispenser Assembly	Includes items 1-4, 6, 8, 9, 10 and 19-22
	F0150513-00	Dispenser	
20	F380300	Injection Nozzle	Includes items 20, 21 and 22
	F730168	Injection Nozzle Kit	
21	F170208	O-Ring	
22	F430224	Nut	

Fill Plumbing

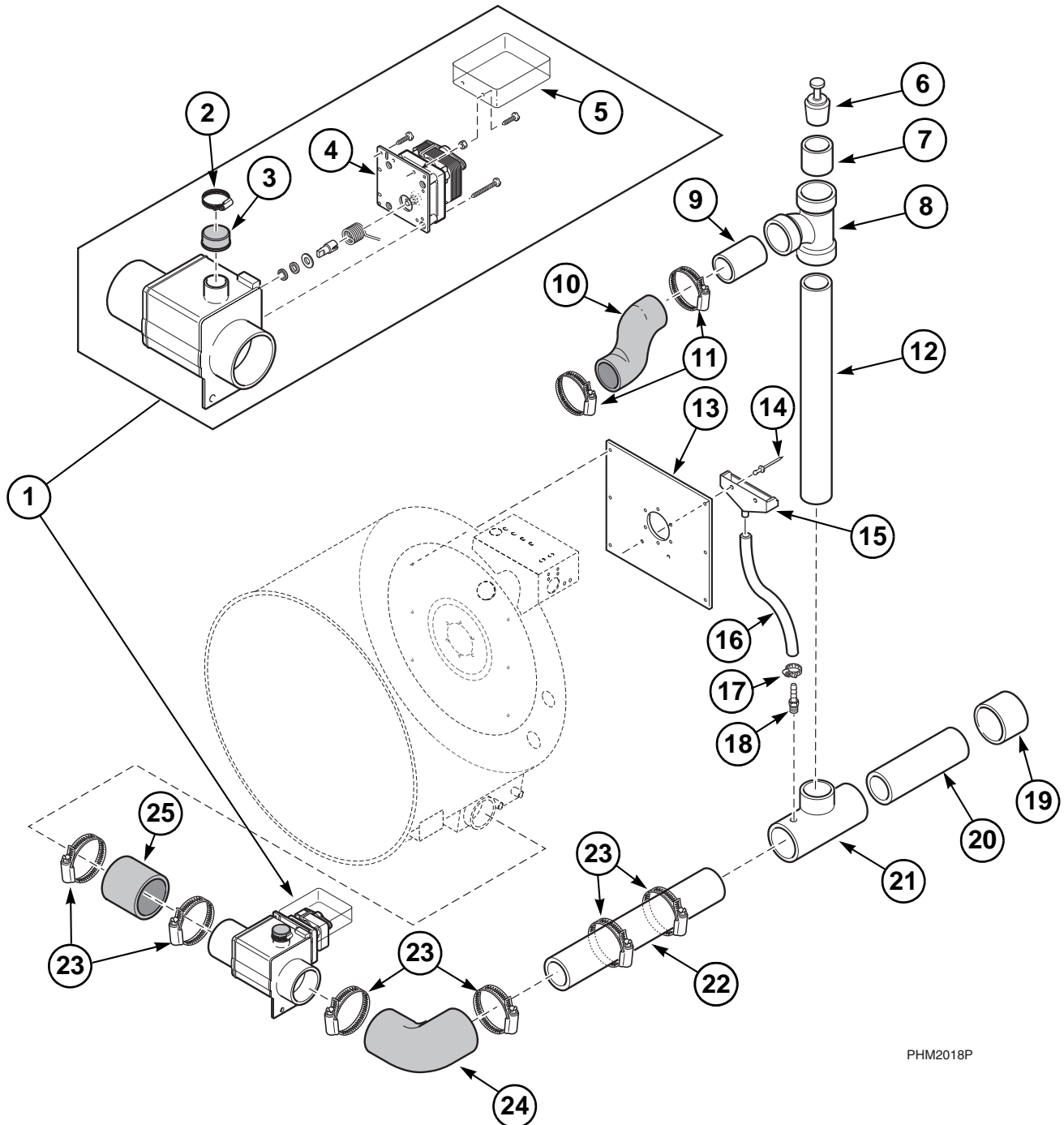


PHM2045P

Fill Plumbing

REF	PART #	DESCRIPTION	COMMENTS
	F0637637-01	Fill Plumbing Assembly	220 Volt; Standard thread; Includes items 3-5, 7-9, 13-20 and 23-26
	F0637637-03	Fill Plumbing Assembly	220 Volt; Metric thread; Includes items 3-5, 7-9, 13-20 and 23-26
1	20290	Washer	
2	F200164	Hose	Standard thread
	F200166	Water Supply Hose	Metric thread
3	F380987	DIN Coil	220 Volt
4	F420502	Elbow	
5	F421951	Hose Barb	
6	F270300	Filter Screen	
7	F421909	Hose Adapter	Standard thread
	F421306	Nipple	Metric thread
8	F381701	Valve	220 Volt; 3/4 inch
	F380991	Valve Repair Kit	3/4 inch
9	F420107	Nipple	
10	F200401	U-Bolt Clamp	
11	F200222	Clamp	#12
12	F200111	Hose	Order 6 feet
13	F420509	Elbow	
14	F420105	Nipple	
15	F0637547-00	Vacuum Breaker Assembly	3/4 inch; Includes items 15-19; Repair kit part number F380965
	F0798922-00	Vacuum Breaker Kit	Includes items 16-19 and installation instructions
16	F0170221-00	O-Ring	
17	F0380809-00	Containment Device	
18	F0380808-00	Vacuum Breaker Cap	
19	F430938	Screw	
20	F420402	Tee	
21	F200509	Hose	
22	F200206	Clamp	#4
23	F421964	Hose Barb	
24	F420500	Elbow	
25	F380500	Gate Valve	
26	F420101	Nipple	

Drain System, Overflow and Vent Pipes

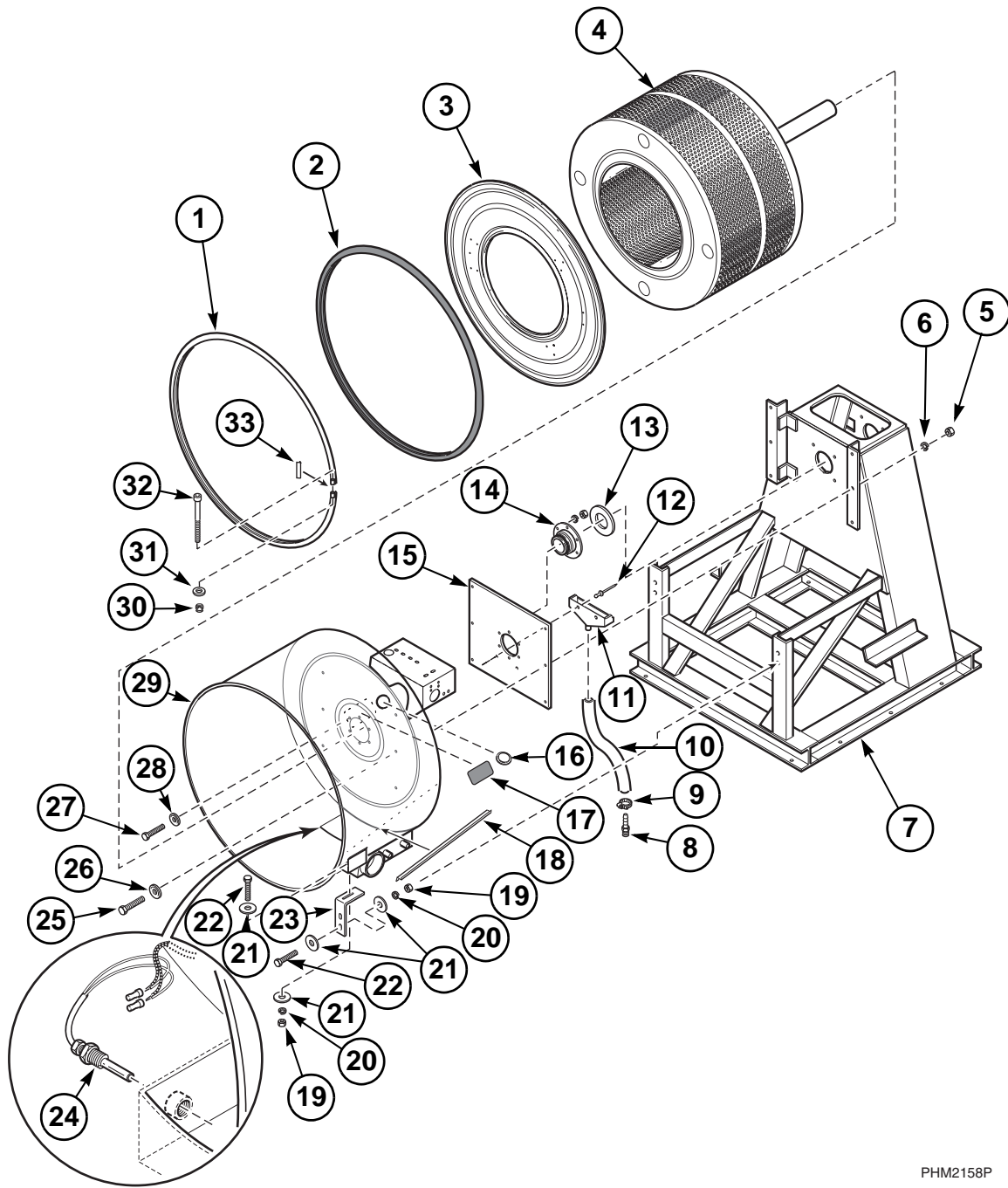


PHM2018P

Drain System, Overflow and Vent Pipes

REF	PART #	DESCRIPTION	COMMENTS
1	F380629	Drain Valve	220 Volt
2	F200215	Clamp	#28
3	F150352	Overflow Plug	
4	F380933	Drain Valve Motor	220 Volt
5	F380946	Drain Motor Cover	
6	F380117	Vacuum Breaker	PVC
7	F422508	Adapter	PVC
8	F422801	Tee	PVC
9	F610029	Pipe	PVC
10	F150309	Hose	
11	F200213	Clamp	#40
12	F610824	Pipe	PVC
13	F741600	Shell Reinforcement Plate Kit	Includes items 14, 15, 16 and 17
14	F431210	Rivet	
15	F150389	Scupper	Includes items 14, 15, 16 and 17
16	F200107	Hose	Order 3 feet
17	36801	Clamp	#6
18	F421929	Hose Barb	
19	F422602	Bushing	
20	F602365-1	Pipe	PVC
21	F422803	Tee	PVC
22	F610037	Pipe	PVC
23	F200201	Clamp	#56; Attaches item 17 to frame
24	F150438	Drain Hose	Rear
25	F150442	Drain Hose	Front

Basket, Shell and Frame

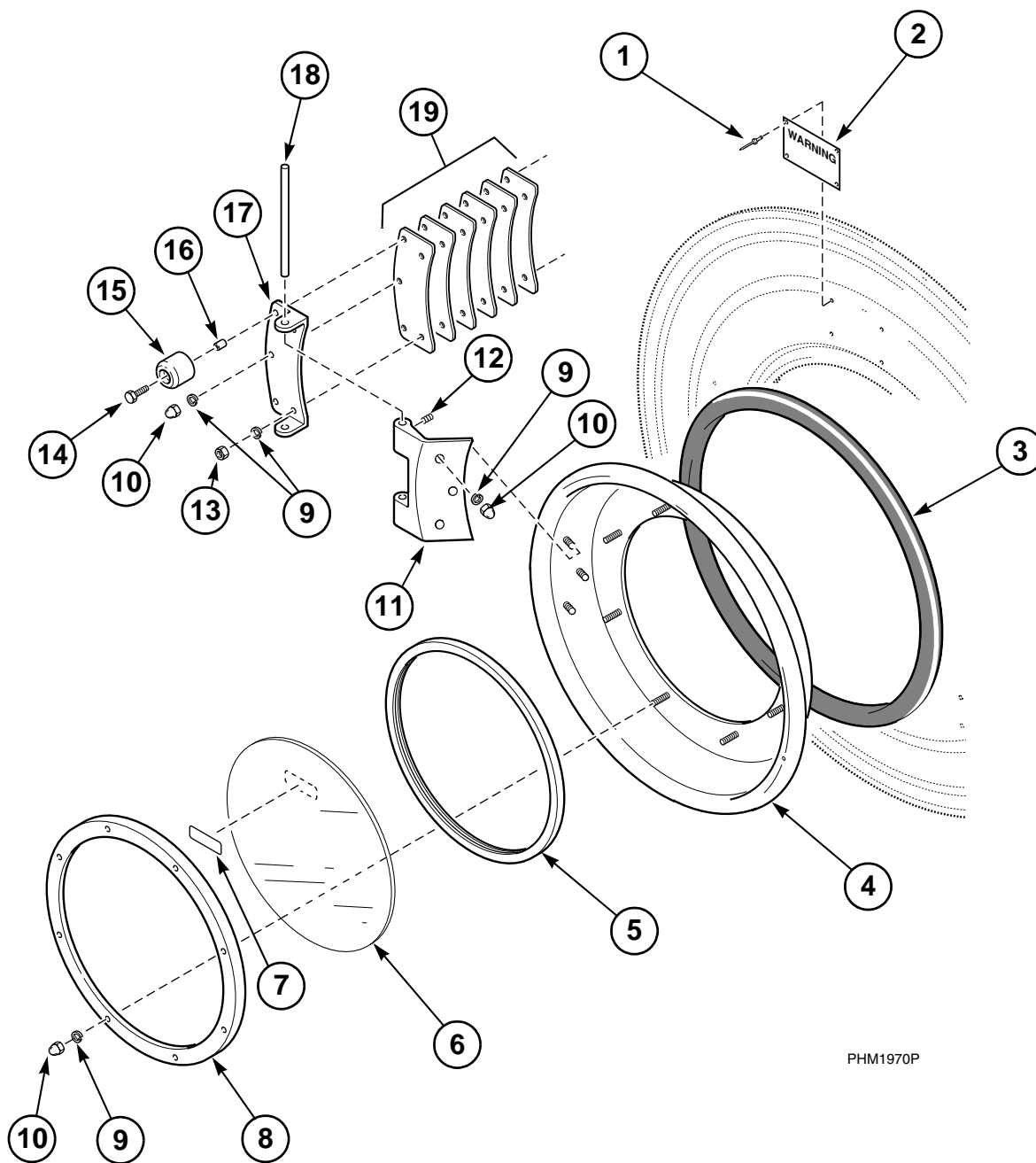


PHM2158P

Basket, Shell and Frame

REF	PART #	DESCRIPTION	COMMENTS
1	F603344	Shell Band Assembly	
	F791001	Shell Band Fastener Kit	Includes items 30, 31 and 32
2	F170120	Shell Band Gasket	Order 10 feet
3	F609200	Shell Front Weldment	
	F603428	Shell Front Assembly	Includes item 3, top latch bracket casting, lower door latch bracket casting, door butt, bushing, door latch shim, door butt shim and door bumper moulding
4	F632015	Basket Assembly	
5	F430212	Nut	
6	F430321	Lockwasher	
7	F633378	Frame Assembly	Standard
	F633378-2	Frame Assembly	Close mount
8	F421929	Hose Barb	
9	36801	Clamp	#6
10	F200107	Hose	Order 3 feet
11	F150389	Scupper	
12	F431210	Rivet	
13	F100203	Slinger	
14	F0100297-00	Seal	
	F798819-00	Seal Kit	Includes items 2, 13 and 14
15	F741600	Shell Reinforcement Plate Kit	Includes items 9,10, 11, 12 and 15
16	F0200237-00	Plug	
17	F0230112-00	Decal	Warning: Plug removal
18	F150364	Drip Rail	Attach with silicone
19	F430205	Nut	
20	F430305	Lockwasher	
21	F430301	Washer	
22	F430109	Screw	
23	F601806	Shell Mounting Bracket	
24	F370606	Temperature Probe	
25	F430924	Screw	
26	F431116	Sealing Washer	
27	F430935	Screw	
28	F431112	Sealing Washer	
29	F0634436-02	Shell Weldment	Standard models
	F0633208-05	Shell Weldment	Models with electric heat
30	F430215	Locknut	
31	F430317	Washer	
32	F430518	Screw	
33	F601216	Shell Gasket Shield	

Door

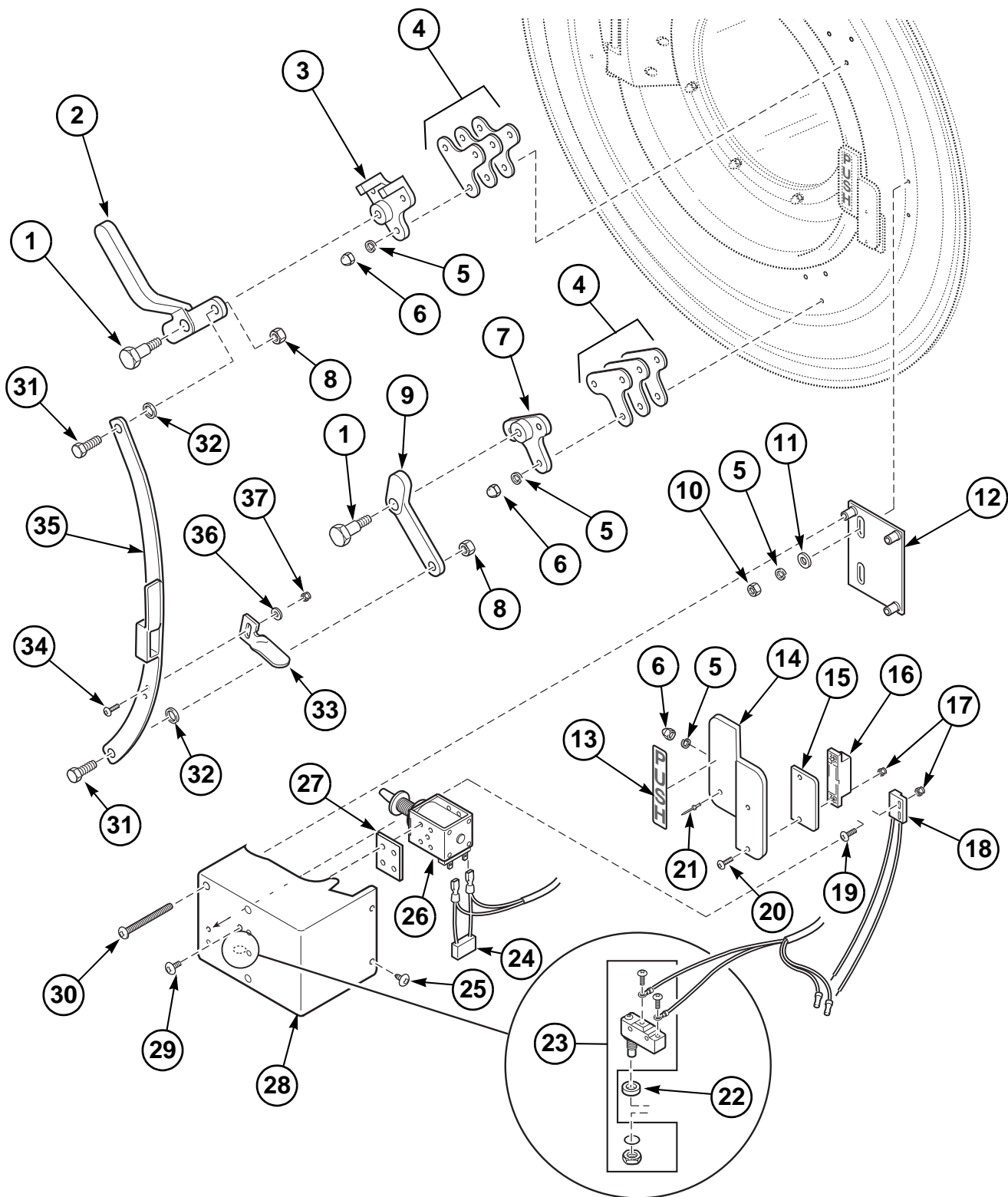


PHM1970P

Door

REF	PART #	DESCRIPTION	COMMENTS
	F730539	Door Kit	Includes items 3, 4, 5, 6, 8 and 11
1	F431210	Rivet	
2	F230218	Plate	Warning: Attempt no entry
3	F170145	Door Gasket	
4	F730307	Door Kit	Includes studs
5	F170117	Door Glass Gasket	
6	F290201	Glass	
7	F230652	Decal	Clockwise rotation
8	F601239	Door Glass Retainer	
9	F431100	Lockwasher	
10	F431026	Cap Nut	
11	F150209	Door Hinge Strap	
12	F430502	Screw	
13	F430205	Nut	
14	F430103	Screw	
15	F150366	Door Bumper Moulding	
16	F430416	Bushing	
17	F150210	Door Butt	
18	F601815	Door Hinge Pin	
19	F610695	Door Butt Shim	

Door Lock

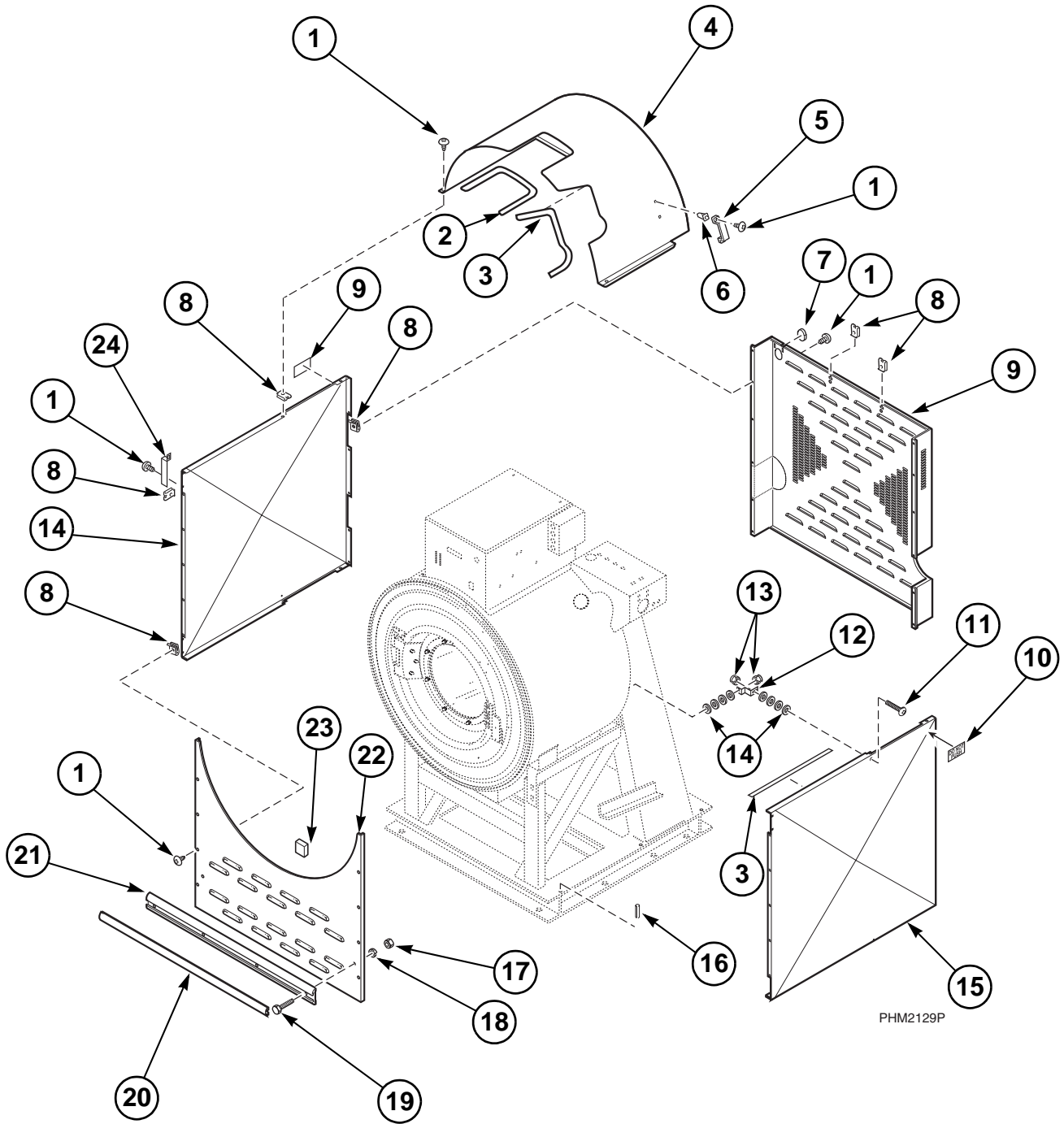


PHM2157P

Door Lock

REF	PART #	DESCRIPTION	COMMENTS
	F603666	Door Box Assembly	Includes items 18, 26 and 28
1	F430168	Screw	
2	F150203	Door Handle Casting	
3	F150201	Top Latch Bracket Casting	
4	F602058	Door Latch Shim	
5	F431100	Lockwasher	
6	F431026	Cap Nut	
7	F150202	Lower Door Latch Bracket Casting	
8	F430205	Nut	
9	F150204	Lower Door Latch Casting	
10	F430215	Locknut	
11	F431142	Washer	
12	F605525	Door Box Mounting Plate Assembly	
13	F230303	Decal	Push
14	F609427	Handle Weldment	
	F746201-1	Handle Kit	Includes items 10, 14, 15, 16, 17 and 20
15	F609822	Handle Spacer	Optional
16	F340703	Magnet	
17	F430231	Locknut	
18	F0340723-00	Magnetic Switch	
19	F430917	Screw	
20	F430909	Screw	
21	F431210	Rivet	
22	F432301	Interlock Switch Spacer	
23	F340900	Switch	
24	F330217	RC Network Filter	
25	F430956	Screw	
26	F300129	Door Lock Solenoid	220 Volt
27	F609728	Spacer	
28	F606630	Door Box	
29	F430995	Screw	
30	F430996	Screw	
31	F430927	Screw	
32	F431118	Washer	
33	F603005	Extension Arm Tab	
34	F430916	Screw	
35	F606810	Extension Arm Assembly	Includes items 9, 32, 35 and 37
36	F431125	Washer	
37	F430232	Locknut	

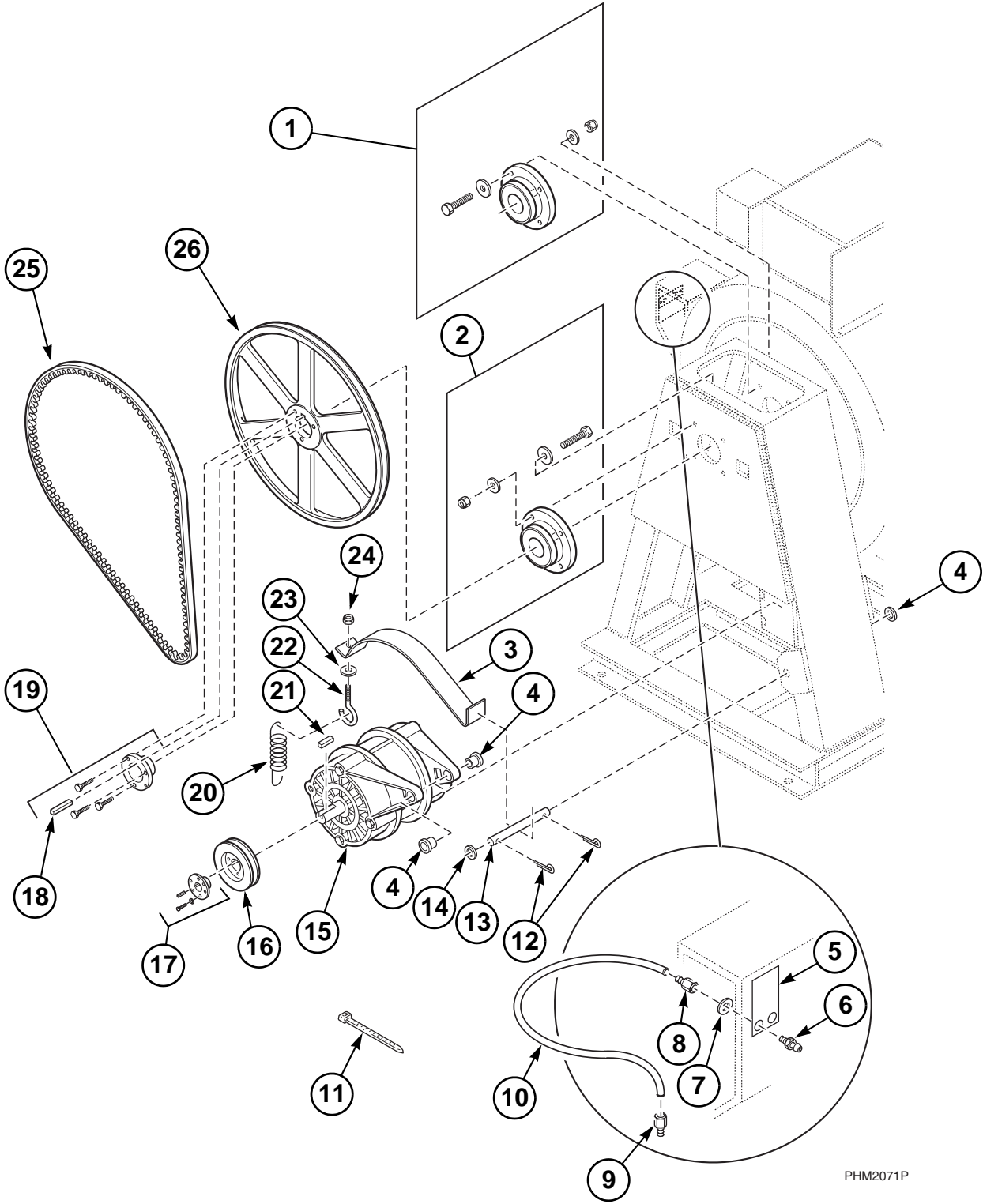
Panels



Panels

REF	PART #	DESCRIPTION	COMMENTS
1	F430956	Screw	
2	F100284	Seal	Order 2 feet
3	F170400	Trim	Order 6 feet for the front of item 4
	F170400	Trim	Order 5 feet for the back of item 4
	F170400	Trim	Order 2 feet for item 15
4	F635610	Cage Wrap Weldment	Includes item 5
5	F605324	Strap	
6	F431804	Nut	Plastic insert
7	F180511	Caplug	
8	F430264	Nut	Tinnerman
9	F635637	Rear Panel	
10	F230302	Decal	Do not push
11	F432234	Screw	
12	F601982	Bracket	
13	F430215	Locknut	
14	F430317	Washer	
15	F635648	Side Panel	Reversible
16	F430415	Pin	
17	F430211	Nut	
18	F431100	Lockwasher	
19	F430921	Screw	
20	F150397	Insert	Order 3 feet
21	F150408	Rub Rail	
22	F635649	Front Panel	
23	F170110	Sponge	
24	F606667	Side Panel Cover	

Motor and Pulley

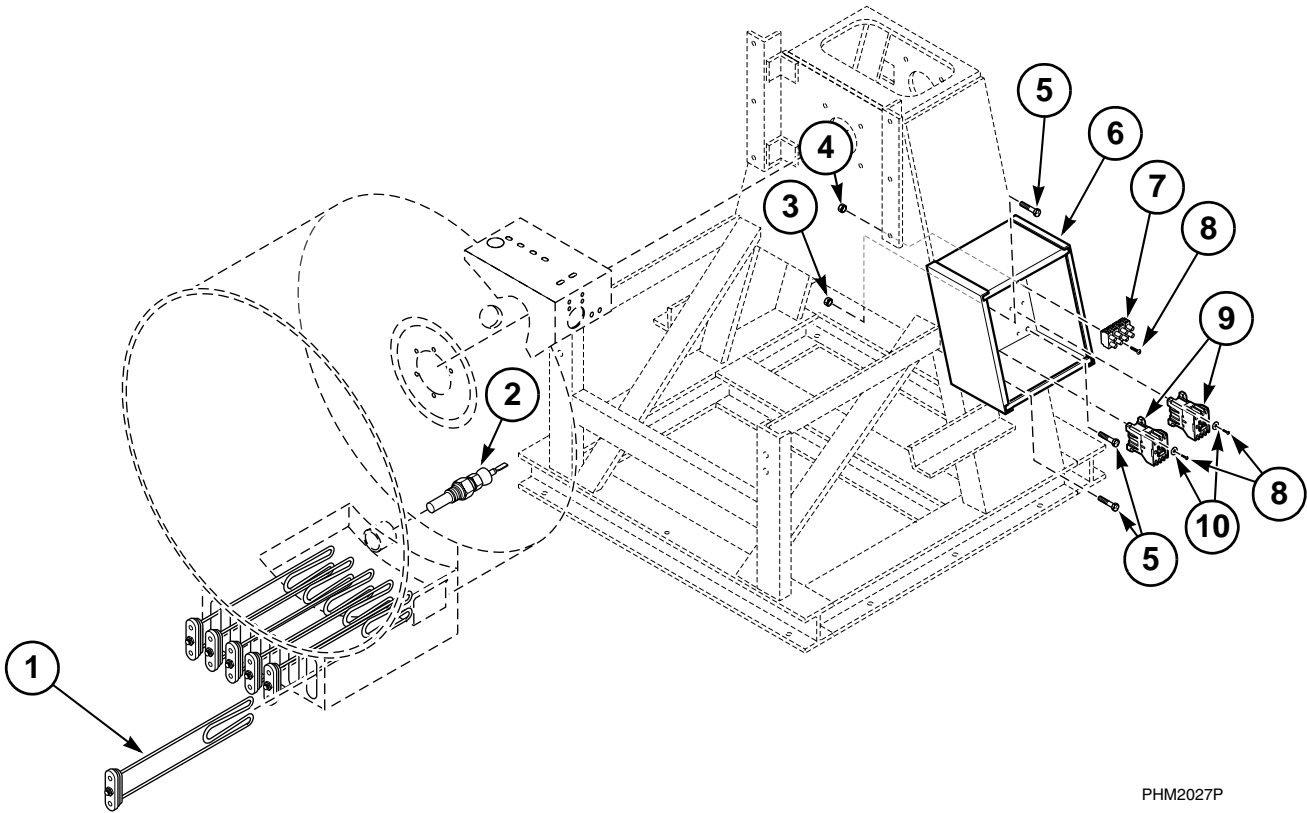


PHM2071P

Motor and Pulley

REF	PART #	DESCRIPTION	COMMENTS
1	F798824-00	Front Bearing Kit	Includes seal and hardware
2	F745010	Rear Bearing Kit	Includes hardware
3	F603166	Motor Adjustment Strap	
4	F130311	Bushing	Nylon; 2 required
5	F231563	Decal	Lubrication
6	F190701	Grease Fitting	
7	F430332	Washer	
8	F422114	Coupling	
9	F422101	Coupling	
10	F200190	Tubing	Order 4 feet
11	F140605	Tie	6 inch
12	F430401	Cotter Pin	
13	F730076	Motor Support Rod Kit	Includes items 12 and 14
14	F430325	Washer	
15	F220302	Motor	208-240 Volt; 3 phase
	F220303	Motor	380-415 Volt 50 Hz/440-480 Volt 60 Hz; 3 phase
16	F280146	Pulley	BK34H
17	F280214	Bushing	H-78
18	F430801	Key	
19	F280409	Bushing	2-7/16; Maska
20	F310127	Spring	
21	F430802	Key	
22	F430153	Hook Bolt	
23	F430304	Washer	
24	F430233	Locknut	
25	F280309	Belt	BX100
26	F280410	Pulley	1B255K; Maska

Electric Heat Option

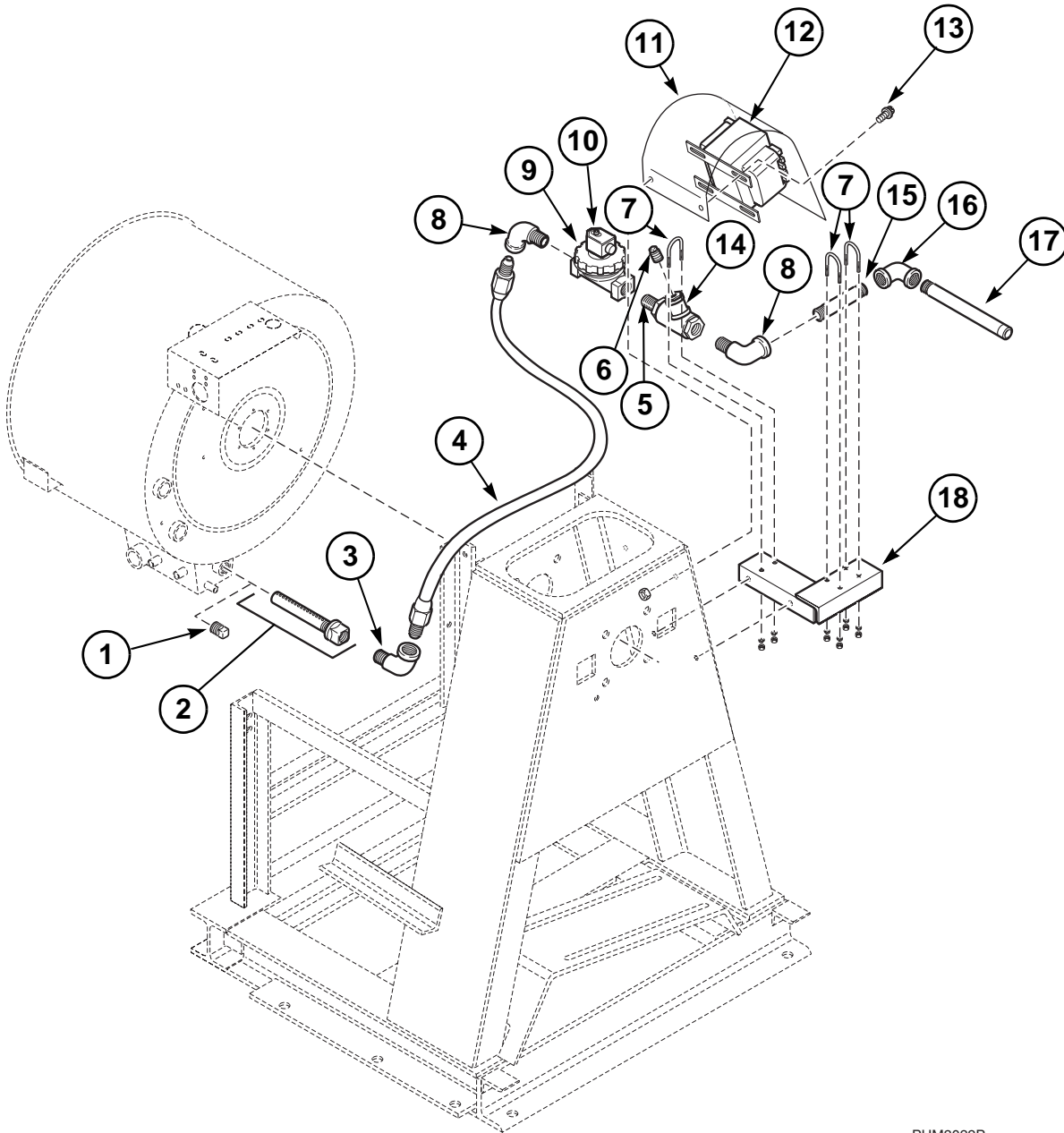


PHM2027P

Electric Heat Option

REF	PART #	DESCRIPTION	COMMENTS
1	F360203	Heating Element	6 required
2	F370606	Temperature Probe	
3	F430215	Locknut	
4	F430231	Locknut	
5	F430938	Screw	
6	F140413	Box	
7	F140770	Terminal Block	For voltage codes below 250 Volts
	F140747	Input Block	For voltage codes above 250 Volts
8	F430910	Screw	
9	F330188	Contactora	220 Volt
10	F430311	Washer	

Transformers and Steam Heat Option



PHM2022P

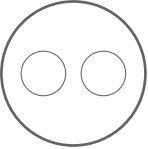
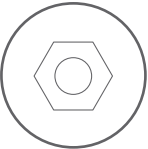
Transformers and Steam Heat Option


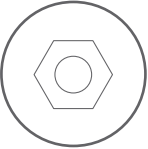

REF	PART #	DESCRIPTION	COMMENTS
	F635653	Steam Plumbing Assembly	220 Volt; Includes items 2, 3, 4, 8, 9, 14, 16, 17 and pipe insulation
	F410300	Pipe Insulation	
1	F603134	Plug	
2	F603131	Steam Injection Tube Assembly	
3	F421703	Elbow	
4	F200517	Steam Hose	1/2 x 24 inch
5	F420708	Nipple	1/2 x 2-1/2 inch
6	F420409	Plug	
7	F200401	U-Bolt Clamp	Includes washers and nuts
8	F421103	Street Elbow	
9	F380787	Steam Valve	1/2 inch; 220 Volt; Repair kit Part No. F380984
10	F380987	Coil	220 Volt
11	F140425	Cover	
12	F360156	Transformer	Used on F-voltage models only
13	F430935	Screw	
14	F270307	Steam Filter	
15	F420710	Nipple	1/2 x 4 inch
16	F421104	Elbow	
17	F420719	Nipple	1/2 x 8 inch
18	F635634	Steam Bracket Weldment	

Security Fasteners

The parts associated with the security fastener option on UW washer-extractors are as follows.

Please note that if your washer-extractor has been equipped with the security option, it may contain the screws listed in either option listed below. Please check the head type and head illustration to confirm the security screw that is in use.

Security Fastener Option One					
Standard Screw Part Number	Security Screw Part Number	Security Bit Part Number	Typical Location	Screw Size	Head Type/ Illustration
F430996	F0430273-00	F704907	Door Box to Bracket	1/4 inch - 20 x 2-1/2 inch	 <p style="text-align: center;">PHM1959P</p> <p style="text-align: center;">1/4 inch Spanner</p>
F430921	F0430272-00	F704907	Side Panel to Bracket	1/4 inch - 20 x 1-1/2 inch	
F430925	F0430274-00	F704907	Drive Box or Cover	1/4 inch - 20 x 1/2 inch	
F430956	F0430275-00	F704906	Side Panels and Module Cover	#8 - 32 x 1/2 inch	 <p style="text-align: center;">PHM1960P</p> <p style="text-align: center;">1/8 inch Hex</p>
F430904	F430960	F704906	Module to Shell	#10 - 32 x 3/8 inch	

Security Fastener Option Two					
Standard Screw Part Number	Security Screw Part Number	Security Bit Part Number	Typical Location	Screw Size	Head Type/ Illustration
F430996	F432260	F704904	Door Box to Bracket	1/4 inch - 20 x 2-1/2 inch	 <p style="text-align: center;">PHM1961P</p> <p style="text-align: center;">#3 Phillips</p>
F430925	F430959	F704897	Drive Box or Cover	1/4 inch - 20 x 1/2 inch	 <p style="text-align: center;">PHM1960P</p> <p style="text-align: center;">5/32 inch Hex</p>
F430956	F432259	281P4	Side Panels and Module Cover	#8 - 32 x 1/2 inch	 <p style="text-align: center;">PHM1962P</p> <p style="text-align: center;">T-15 Torx</p>

Parts Index

A

Adapter	
F422508.....	17
Air Trap Hose	
F200142.....	7

B

Basket Assembly	
F632015.....	19
Belt	
F280309.....	27
Box	
F140413.....	29
Bracket	
F601982.....	25
Bushing	
F130311.....	27
F140909.....	11
F140938.....	7
F280214.....	27
F280409.....	27
F422602.....	17
F430416.....	21

C

Cable Tray Assembly	
F635615-1.....	7
Cable Tray Cover	
F635476.....	7
Cage Wrap Weldment	
F635610.....	25
Cap Nut	
F430214.....	23
F431026.....	21
Caplug	
F180511.....	25
Chemical Supply Cup	
F150385.....	13
F150386.....	13
Chemical Supply Hose	
F150469.....	13
Circuit Breaker	
F350217.....	9
Clamp	
F200201.....	17
F200206.....	15
F200213.....	13, 17
F200215.....	7, 17
F200222.....	15
36801.....	17, 19
Coil	
F380987.....	31
Computer	
F0370455-20.....	7
Connector	
F422500.....	7

Contact Block Switch	
F340445.....	7
Contactora	
F330177.....	9
F330188.....	29
Containment Device	
F0380809-00.....	15
Control Module Cover	
F635456.....	7
Control Mounting Panel Assembly	
F635374.....	7
Cotter Pin	
F430401.....	27
Coupling	
F422101.....	27
F422114.....	27
Cover	
F0636887-00.....	7
F140425.....	31

D

Decal	
F0230112-00.....	19
F0231565-00.....	7
F230206.....	5, 7
F230301.....	5
F230302.....	5, 25
F230303.....	23
F230630.....	11
F230652.....	5, 21
F230764-11.....	11
F230764-12.....	11
F231065.....	5
F231345-4.....	5
F231367.....	5
F231368.....	5
F231380.....	5
F231436.....	5, 13
F231437.....	11
F231563.....	27
F231572-1.....	7
DIN Coil	
F380987.....	15
Dispenser	
F0150513-00.....	13
Dispenser Assembly	
F0150512-00.....	13
Dispenser Lid	
F0150514-00.....	13
Door Box	
F606630.....	23
Door Box Assembly	
F603666.....	23
Door Box Mounting Plate Assembly	
F605525.....	23
Door Bumper Moulding	
F150366.....	21
Door Butt	
F150210.....	21
Door Butt Shim	
F610695.....	21

Door Gasket	
F170145	21
Door Glass Gasket	
F170117	21
Door Glass Retainer	
F601239	21
Door Handle Casting	
F150203	23
Door Hinge Pin	
F601815	21
Door Hinge Strap	
F150209	21
Door Kit	
F730307	21
F730539	21
Door Latch Shim	
F602058	23
Door Lock Solenoid	
F300129	23
Drain Hose	
F150438	17
F150442	17
Drain Motor Cover	
F380946	17
Drain Valve	
F380629	17
Drain Valve Motor	
F380933	17
Drip Rail	
F150364	19

E

Elbow	
F420500	15
F420502	15
F420509	15
F421104	31
F421703	31
Emergency Stop Pushbutton	
F340718	7
Extension Arm Assembly	
F606810	23
Extension Arm Tab	
F603005	23
External Supply Box	
F635468	7
External Supply Box Cover	
F635365	7

F

Fill Plumbing Assembly	
F0637637-01	15
F0637637-03	15
Filter Screen	
F270300	15
Flange Relay	
F330230	9
4-Way Valve	
F381723	7

Frame Assembly	
F633378	19
F633378-2	19
Front Bearing Kit	
F798824-00	27
Front Panel	
F635649	25
Fuse	
F350108	9
F350109	9
F350110	9

G

Gate Valve	
F380500	15
Glass	
F290201	21
Grease Fitting	
F190701	27

H

Handle Kit	
F746201-1	23
Handle Spacer	
F609822	23
Handle Weldment	
F609427	23
Heating Element	
F360203	29
Hook Bolt	
F430153	27
Hose	
F150309	17
F200107	17, 19
F200111	15
F200164	15
F200509	15
Hose Adapter	
F421909	15
Hose Barb	
F421929	17, 19
F421951	15
F421964	15

I

Injection Nozzle	
F380300	13
Injection Nozzle Kit	
F730168	13
Input Block	
F140747	29
Input Power Block	
F140794-1	11
Insert	
F150397	25
Interlock Contactor	
F330186	9

Interlock Switch Spacer F432301	23
--	----

K

Key	
F430801	27
F430802	27
Keypad	
F0231582-01	7

L

Locknut	
F430215	19, 23, 25, 29
F430231	11, 23, 29
F430232	23
F430233	27
Lockwasher	
F430305	19
F430321	19
F431100	13, 21, 23, 25
F431106	11
F431108	7
F431113	7
Lower Door Latch Bracket Casting	
F150202	23
Lower Door Latch Casting	
F150204	23

M

Magnet	
F340703	23
Magnetic Switch	
F0340723-00	23
Momentary Switch	
F340412	7
Motor	
F220302	27
F220303	27
Motor Adjustment Strap	
F603166	27
Motor Support Rod Kit	
F730076	27
Mounting Rail	
F602595-5	9

N

Nipple	
F420101	15
F420105	15
F420107	15
F420708	31
F420710	31
F420719	31
F421306	15

Nut	
F430205	19, 21, 23
F430211	25
F430212	19
F430224	13
F430264	25
F431000	7, 11
F431005	13
F431026	7
F431804	25

O

O-Ring	
F0170221-00	15
F170208	13
F170215	13
Output Board Cover	
F0170427-00	9
Output CCA	
F0370448-33	9
Overflow Plug	
F150352	17

P

Pin	
F430415	25
Pipe	
F602365-1	17
F610029	17
F610037	17
F610824	17
Pipe Insulation	
F410300	31
Plate	
F230218	5, 21
Plug	
F0200237-00	19
F420409	31
F603134	31
Plug Cap	
F190304	13
Pulley	
F280146	27
F280410	27

R

RC Network Filter	
F330217	23
Rear Beraring Kit	
F745010	27
Rear Panel	
F635637	25
Ribbon Cable	
F140247	7, 9
Rivet	
F431210	17, 19, 21, 23
Rub Rail	
F150408	25

S

Screw

F430103.....	21
F430109.....	19
F430168.....	23
F430174.....	7
F430502.....	21
F430518.....	19
F430903.....	9
F430904.....	7
F430909.....	23
F430910.....	11, 29
F430916.....	23
F430917.....	7, 13, 23
F430920.....	11
F430921.....	25
F430924.....	19
F430927.....	23
F430928.....	7, 9
F430935.....	19, 31
F430938.....	15, 29
F430956.....	23, 25
F430995.....	11, 23
F430996.....	23
F431702.....	9
F432234.....	25

Scupper

F150389.....	17, 19
--------------	--------

Seal

F0100297-00.....	19
F100284.....	25

Seal Kit

F798819-00.....	19
-----------------	----

Sealing Washer

F431112.....	19
F431116.....	19

Security Bit

F704897.....	32
F704904.....	32
F704906.....	32
F704907.....	32
281P4.....	32

Security Screw

F0430272-00.....	32
F0430273-00.....	32
F0430274-00.....	32
F0430275-00.....	32
F430959.....	32
F430960.....	32
F432259.....	32
F432260.....	32

Shell Band Assembly

F603344.....	19
--------------	----

Shell Band Fastener Kit

F791001.....	19
--------------	----

Shell Band Gasket

F170120.....	19
--------------	----

Shell Front Assembly

F603428.....	19
--------------	----

Shell Front Weldment

F609200.....	19
--------------	----

Shell Gasket Shield

F601216.....	19
--------------	----

Shell Mounting Bracket

F601806.....	19
--------------	----

Shell Reinforcement Plate Kit

F741600.....	17
--------------	----

Shell Weldment

F0633208-05.....	19
F0634436-02.....	19

Shellplate Reinforcement Kit

F741600.....	19
--------------	----

Shroud Weldment

F633032.....	13
--------------	----

Side Panel

F635648.....	25
--------------	----

Side Panel Cover

F606667.....	25
--------------	----

Slinger

F100203.....	19
--------------	----

Spacer

F0150525-00.....	13
F609728.....	23

Sponge

F170110.....	25
--------------	----

Spring

F310127.....	27
--------------	----

Standard Screw

F430904.....	32
F430921.....	32
F430925.....	32
F430956.....	32
F430996.....	32

Standoff

F180501.....	9
--------------	---

Standoff Nut

F431806.....	9
--------------	---

Steam Bracket Weldment

F635634.....	31
--------------	----

Steam Filter

F270307.....	31
--------------	----

Steam Hose

F200517.....	31
--------------	----

Steam Injection Tube Assembly

F603131.....	31
--------------	----

Steam Plumbing Assembly

F635653.....	31
--------------	----

Steam Valve

F380787.....	31
--------------	----

Strain Relief Adapter Kit

F749802.....	13
--------------	----

Strain Relief Connector

F140340.....	13
--------------	----

Strap

F605324.....	25
--------------	----

Street Elbow

F421103.....	31
--------------	----

Switch

F340900.....	23
--------------	----

T

Tag	F230501	5
Tee	F420402	15
	F422801	17
	F422803	17
	F422806	7
Temperature Probe	F370606	19, 29
Terminal Block	F140770	29
	F140776	11
Terminal Ground Lug	F140734	11
Tie	F140605	27
Top Latch Bracket Casting	F150201	23
Transformer	F360156	31
Trim	F170400	13, 25
Tubing	F200190	27
	F422404	7

U

U-Bolt Clamp	F200401	15, 31
--------------	---------------	--------

V

Vacuum Breaker	F380117	17
Vacuum Breaker Assembly	F0637547-00	15
Vacuum Breaker Cap	F0380808-00	15
Vacuum Breaker Kit	F0798922-00	15
Valve	F381701	15
Valve Repair Kit	F380991	15

W

Washer	F430301	19
	F430304	27
	F430311	29
	F430317	19, 25
	F430325	27
	F430332	27
	F431118	23
	F431123	7
	F431125	23
	F431133	13
	F431142	23
	F431147	13
	20290	15
Water Level Switch	F0340347-10	7
Water Pressure Switch	F340443	7
Water Supply Hose	F200166	15