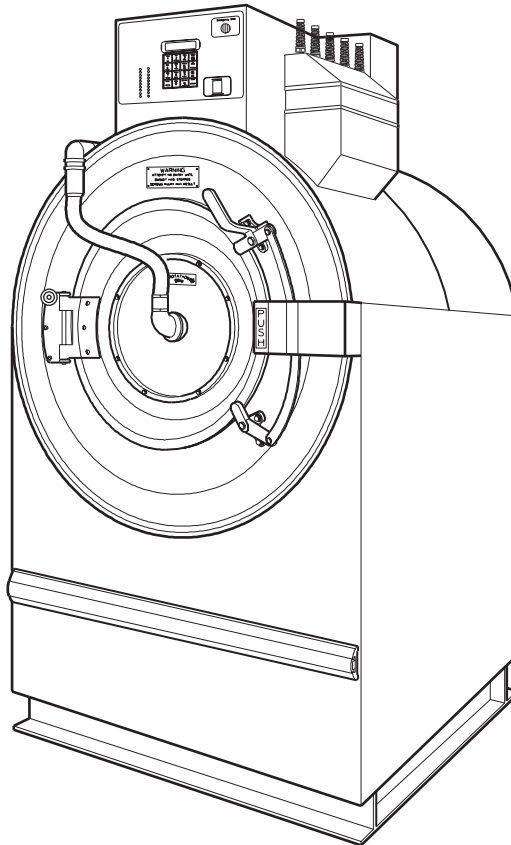


# Washer-Extractor

## Pocket Hardmount

Models UW80PV\* and UW100PV\*

\*This manual applies to models with either U5, U6 or U7  
in the 7<sup>th</sup> and 8<sup>th</sup> or 8<sup>th</sup> and 9<sup>th</sup> positions in the model number  
(e.g. UW80PVU60001)



PHM1380C



# Table of Contents

Title	Page
Parts Ordering Information .....	2
Nameplate Location .....	2
Model Identification .....	3
Decals .....	4
Control Module .....	6
Control Module .....	8
Control Module .....	10
Control Module .....	12
Balance Switch and Temperature Probe .....	14
Front, Rear and Side Panels .....	16
Door and Spray Tube Assembly .....	18
Door Lock .....	20
Basket, Shell and Frame .....	22
Basket, Shell and Frame .....	24
Supply Dispenser .....	26
Water Supply Valve and Hoses to Supply Dispenser .....	28
Spray Plumbing .....	30
Spray Plumbing .....	32
Fill Plumbing .....	34
Fill Plumbing .....	36
Fill Plumbing .....	38
Drain System, Overflow and Vent Pipes .....	40
Motor, Pulley and Bearings .....	42
Electric Heat Option .....	44
Transformers and Steam Heat Option .....	46
Security Fasteners .....	48
Parts Index .....	49

© Copyright 2003, Alliance Laundry Systems LLC

All rights reserved. No part of the contents of this book may be reproduced or transmitted in any form or by any means without the expressed written consent of the publisher.

# Parts Ordering Information

Alliance Laundry Systems is not responsible for personal injury or property damage resulting from improper service. Review all service information before beginning repairs.

If literature or replacement parts are required, contact the source from whom the machine was purchased or contact Alliance Laundry Systems at (920) 748-3950 for the name of the nearest authorized parts distributor.

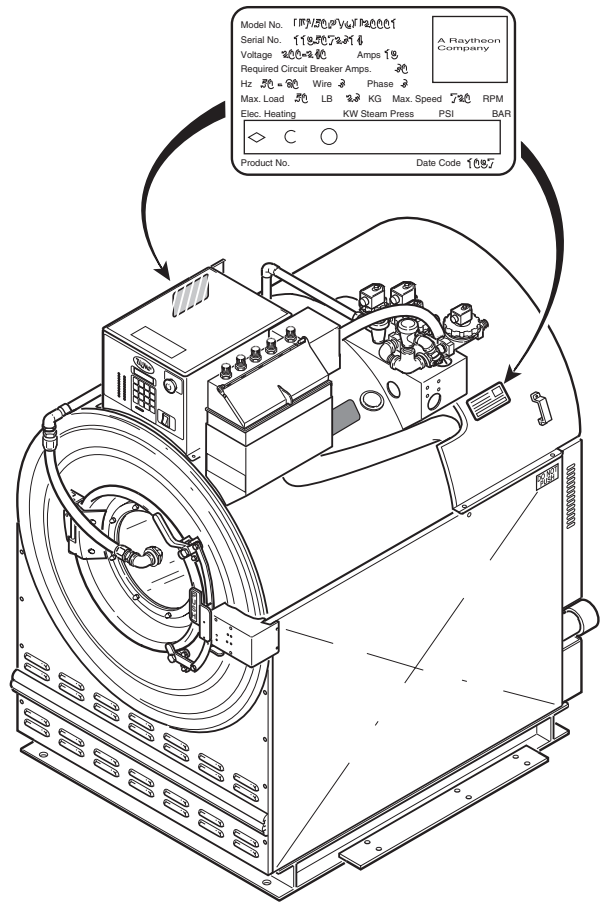
For technical assistance, call either of the following numbers:

(850) 718-1026  
Marianna, Florida

(920) 748-3121  
Ripon, Wisconsin

## Nameplate Location

When calling or writing about your product, be sure to mention model and serial numbers. Model and serial numbers are located on nameplate(s) as shown.



PHM2005P

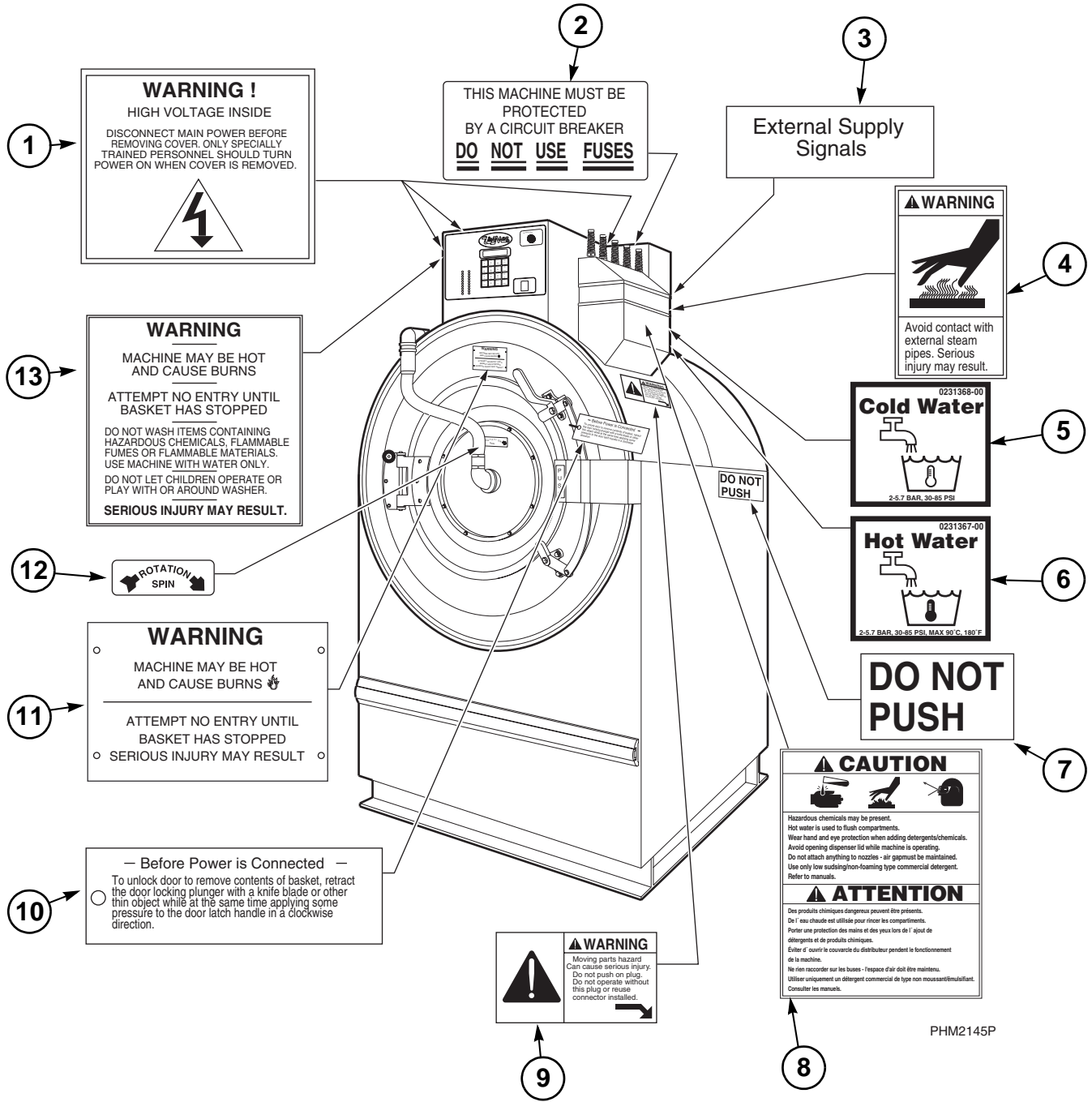
## Model Identification

UW80PV\*

UW100PV\*

\*This manual applies to models with either U5, U6 or U7 in the 7<sup>th</sup> and 8<sup>th</sup> or 8<sup>th</sup> and 9<sup>th</sup> positions in the model number (e.g. UW80PVU60001)

# Decals



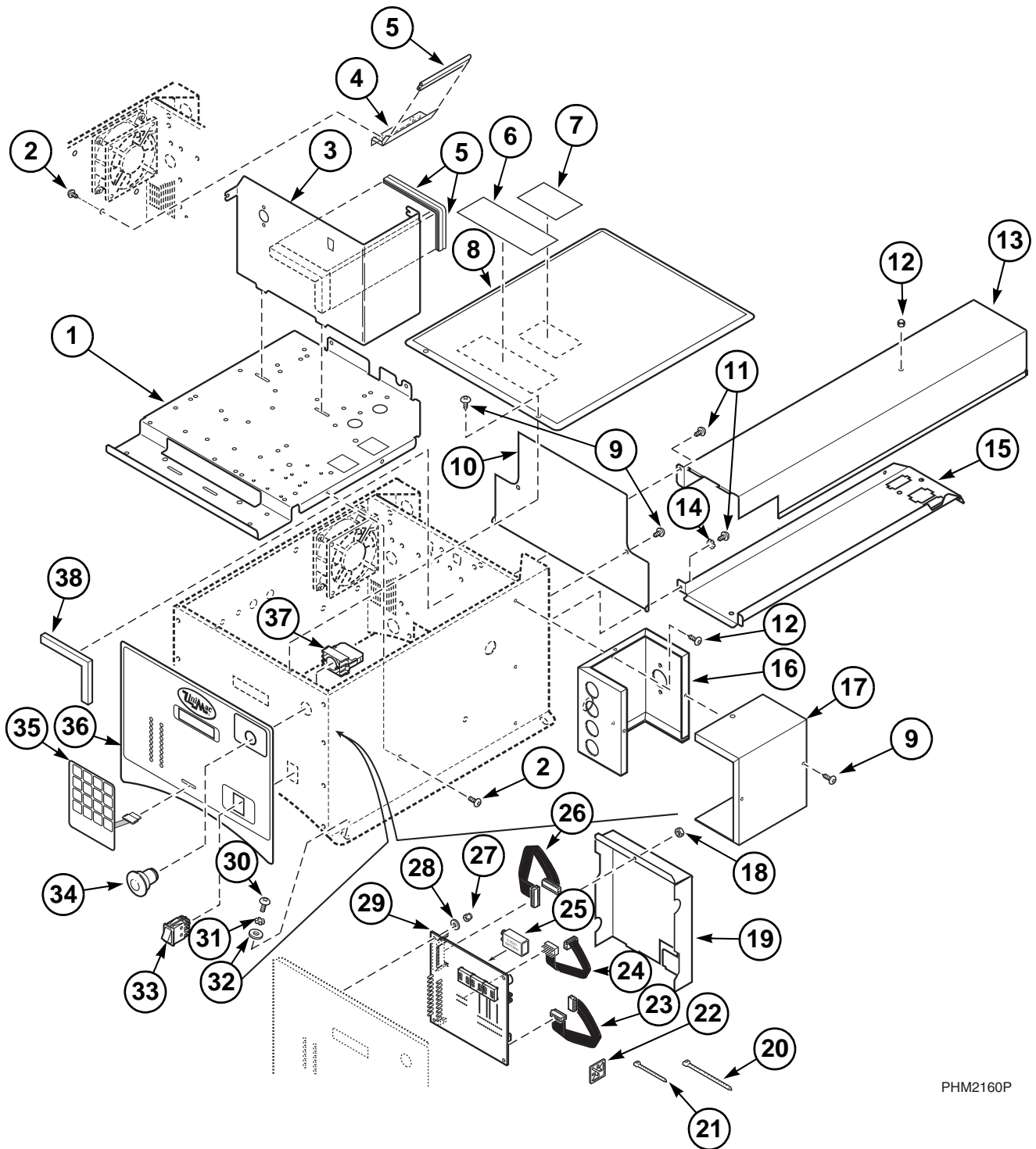
PHM2145P

# Decals

REF	PART #	DESCRIPTION	COMMENTS
1	F230206	Decal	
2	F230301	Decal	
3	F230764-9	Decal	N and P-voltage models
	F231345-5	Decal	N and P-voltage models
	F231345-4	Decal	Q-voltage models
	F230764-10	Decal	Q-voltage models
4	F231380	Decal	
5	F231368	Decal	
6	F231367	Decal	
7	F230302	Decal	
8	F231436	Decal	
9	F0230112-00	Decal	
10	F230501	Tag	
11	F230218	Plate	
12	F230652	Decal	
13	F231065	Decal	

# Control Module

Page 1 of 4



PHM2160P



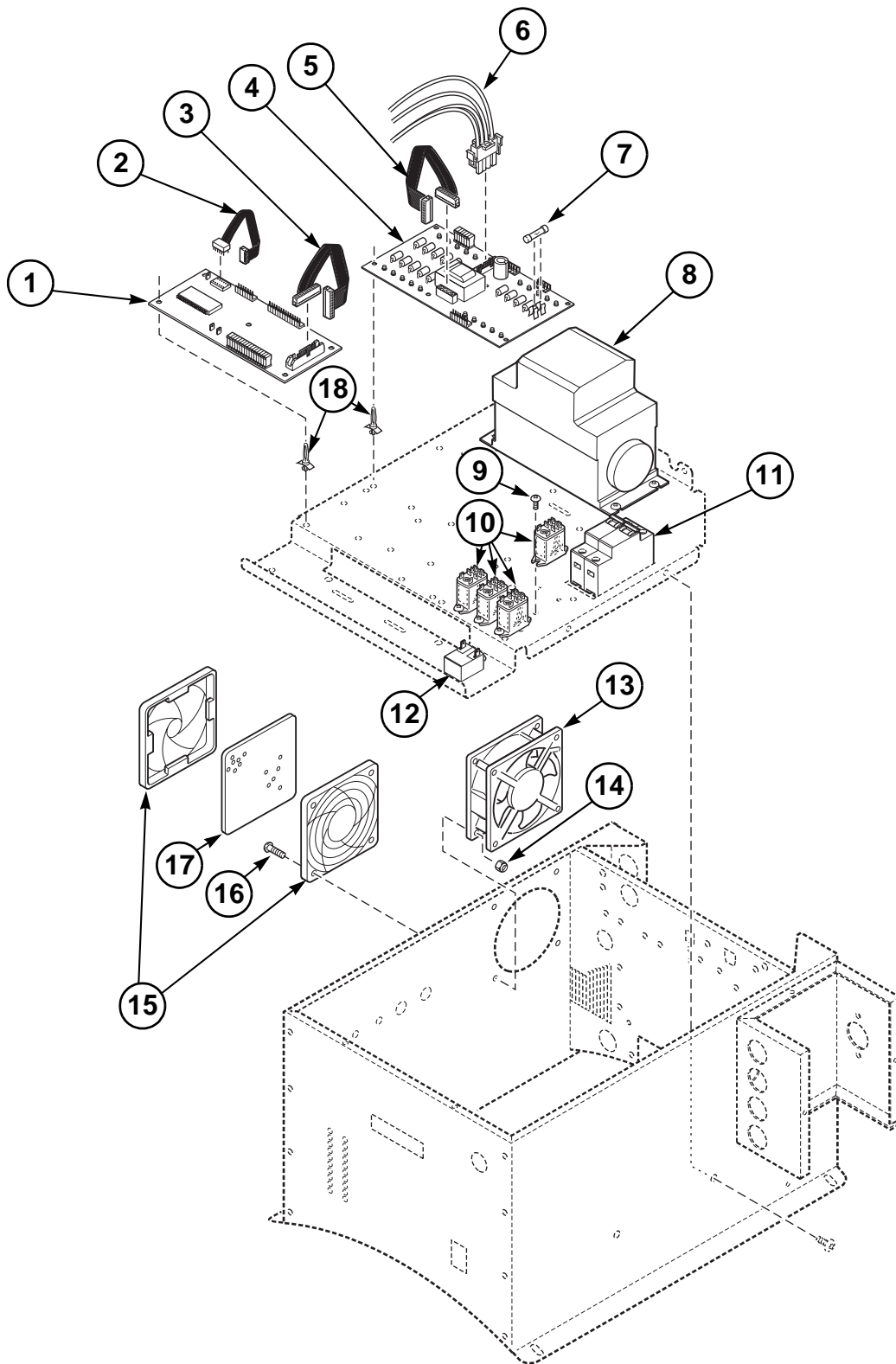
# Control Module

Page 1 of 4

REF	PART #	DESCRIPTION	COMMENTS
1	F635374	Control Mounting Panel Assembly	
2	F430928	Screw	
3	F635366	AC Drive Partition	
4	F0637748-00	Air Flow Ramp Assembly	
5	F170404	Seal	Order 1 foot
6	F230206	Decal	Warning: High voltage
7	F231572-1	Decal	Warning: Control voltage
8	F635456	Control Module Cover	
9	F430174	Screw	
10	F635448	Electrical Access Panel	U5 and U6 models
	F0637549-00	Electrical Access Panel	U7 models
11	F430917	Screw	
12	F431026	Nut	
13	F635480	Cable Tray Cover	UW80PV
	F635378	Cable Tray Cover	UW100PV
14	F431113	Lockwasher	
15	F0635615-03	Cable Tray Assembly	UW80PV
	F0635615-04	Cable Tray Assembly	UW100PV
16	F635468	External Supply Box	
17	F635365	External Supply Box Cover	
18	F431000	Nut	
19	F606826	Computer Cover	
20	F140606	Tie	15 inch
21	F140605	Tie	6 inch
22	F140602	Clamp	
23	F140218	Flat Ribbon Cable	16 conductor; 12 inch; From interface board to computer board; J8 plug
24	F140248	Flat Ribbon Cable	16 conductor; 15 inch; From computer board to interface board; J1 plug; DIP socket
25	F191101	Battery	9 Volt; Backup
26	F140219	Flat Ribbon Cable	26 conductor; 15 inch; From computer board to output board
27	F430231	Locknut	
28	F431125	Washer	
29	F370534-10	WE-6 Computer	STD cycles; U5 models
	F0370534-30	WE-6 Microcomputer	STD cycles; U6 and U7 models
30	F430904	Screw	
31	F431108	Lockwasher	
32	F431123	Washer	
33	F340412	Momentary Switch	
34	F340718	Emergency Stop Pushbutton	
35	F230724	Decal	WE-6 keypad
36	F231562	Decal	WE-6 control module
37	F340445	Contact Block Switch	
38	F0170191-00	Seal	Order 1 foot

# Control Module

Page 2 of 4



PHM2077P

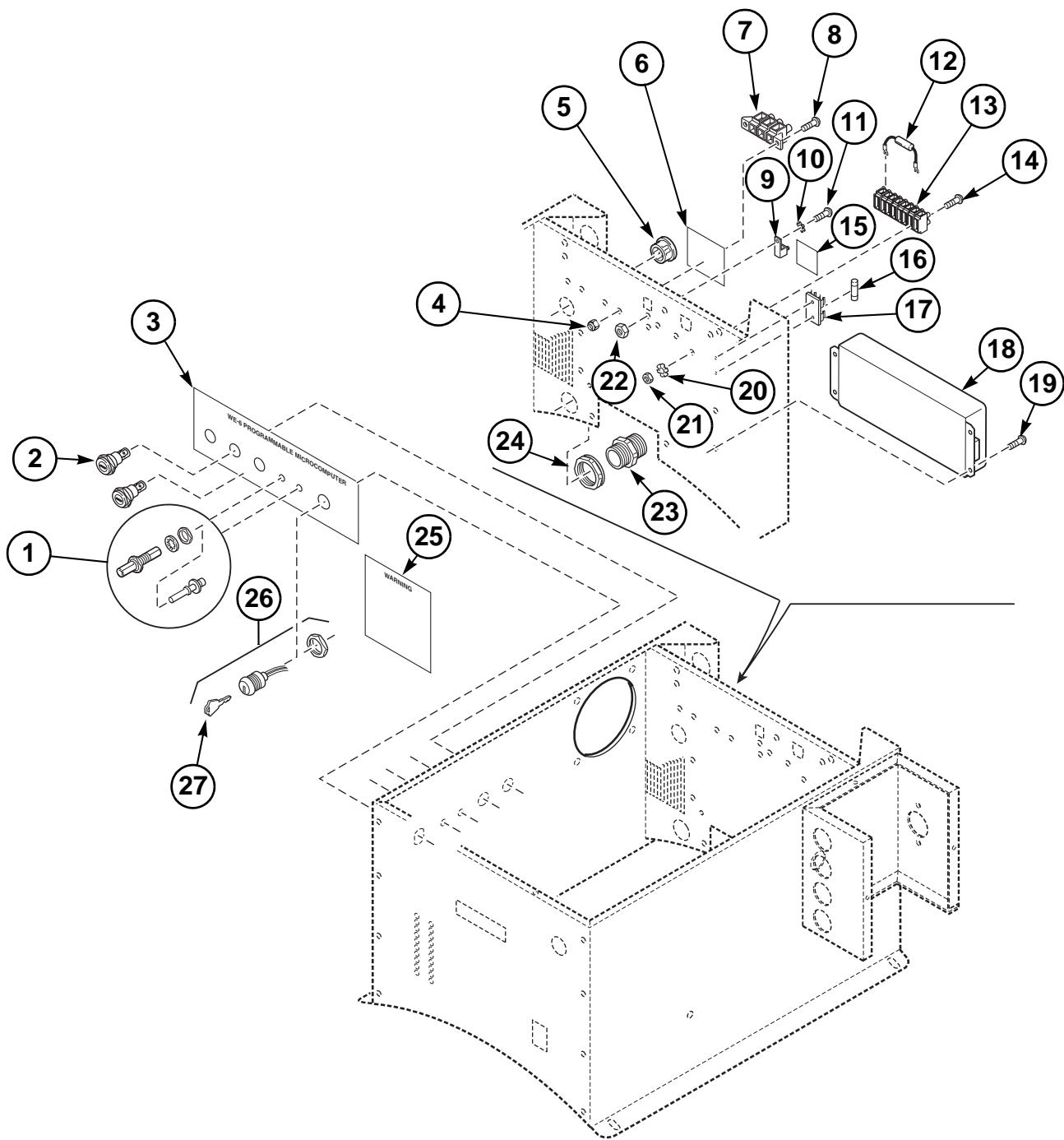
# Control Module

Page 2 of 4

REF	PART #	DESCRIPTION	COMMENTS
1	F0370446-02	Interface CCA	2 relay style
2	F140218	Ribbon Cable	16 conductor; 12 inch; From interface board to computer board; J8 plug
3	F140248	Ribbon Cable	16 conductor; 15 inch; From interface board to computer board; J1 plug; DIP socket
4	F0370454-10	WE-6 Output Board	
5	F140219	Ribbon Cable	26 conductor; 15 inch; From computer to output board
6	F784003	J-4 Jumper Kit	
7	F350108	Fuse	1/8 Amp; Slo blo
	F350109	Fuse	1/2 Amp; Fast blo
	F350110	Fuse	1 Amp; Slo blo
8	F370853	AC Drive	Q-voltage models; Contact factory with model and serial number to verify drive part number
	F370854	AC Drive	P and N-voltage models; Contact factory with model and serial number to verify drive part number
9	F0430165-00	Screw	
10	F330230	Flange Relay	220 Volt; 4 used
11	F350216	Circuit Breaker	
12	F300206	Buzzer	220 Volt
13	F110105	Muffin Fan	220 Volt; 4 inch
14	F430231	Locknut	
15	F220900	Filter Retainer Guard	Includes item 17
16	F430910	Screw	
17	F0270321-00	Filter	
18	F180506	Standoff	

# Control Module

Page 3 of 4



PHM2146P

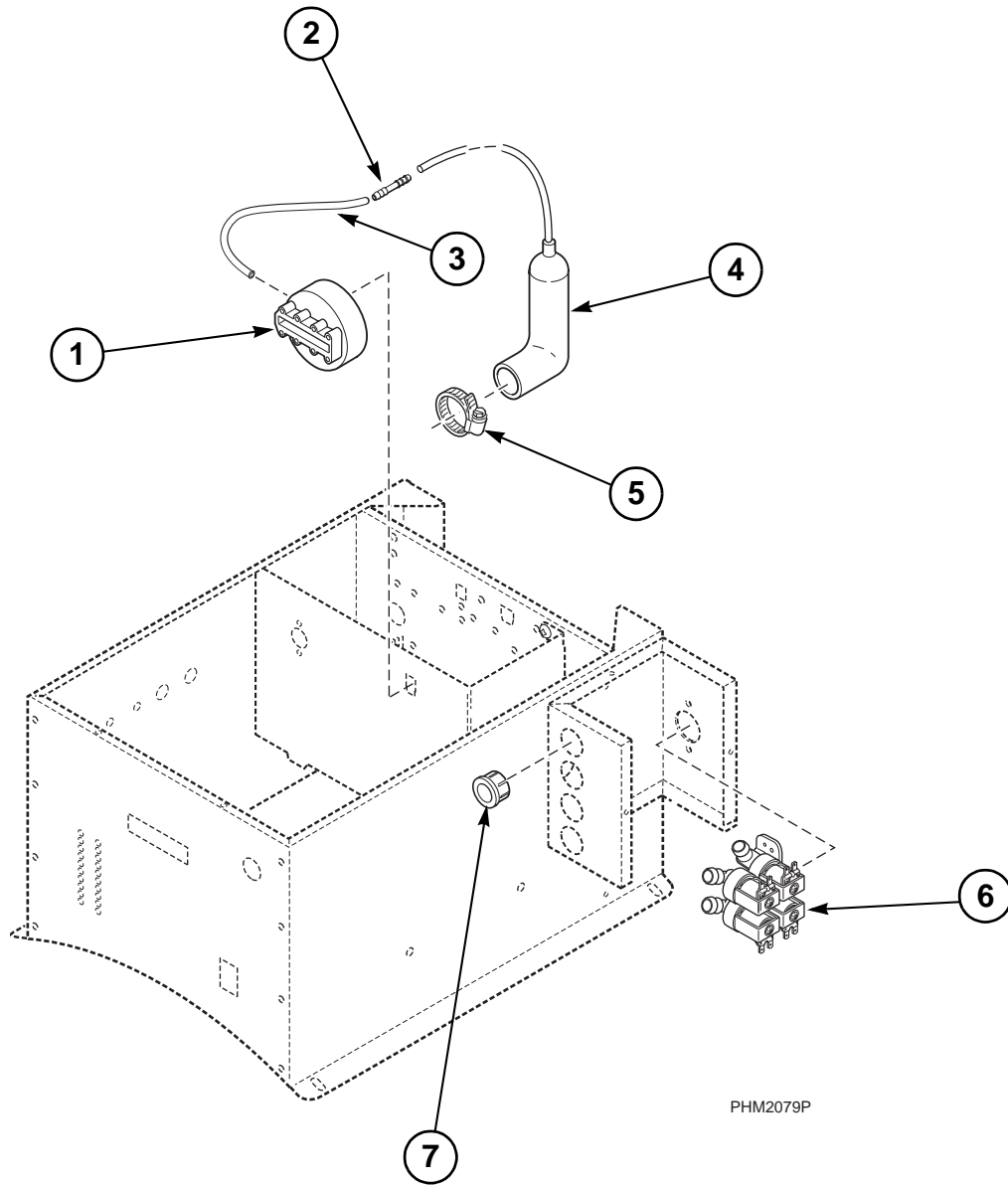
# Control Module

Page 3 of 4

REF	PART #	DESCRIPTION	COMMENTS
1	F140575	Feed-thru Connector	Gray
	F140576	Feed-thru Connector	Blue
2	F350210	Circuit Breaker	2 Amp; 2 used; Used before 5/12/03
	F0350313-00	Fuseholder	Keymode switch; Used after 5/12/03
	F350142	Fuse	Used after 5/12/03
3	F231564	Decal	Keymode switch; Used before 5/12/03
	F0231632-00	Decal	Keymode switch; Used after 5/12/03
4	F431022	Nut	
5	F140909	Insulator Bushing	
6	F0231636-00	Decal	Input power connection
7	F140794-1	Input Power Block	
8	F430938	Screw	
9	F140734	Ground Terminal Lug	
10	F431106	Lockwasher	
11	F430903	Screw	
12	F370116	Resistor	
13	F140782	Terminal Block	11 place
14	F430995	Screw	
15	F230630	Decal	Ground
16	F350115	Fuse	3 Amp; Fast blo; 5 x 20 mm
17	F0350312-10	Dual Fuseholder	
18	F330284	EMI Filter	Option/export; Q-voltage models
	F330283	EMI Filter	Option/export; P and N-voltage models
19	F430910	Screw	
20	F431108	Lockwasher	
21	F431006	Nut	
22	F431000	Nut	
23	F141021	Connector	CE mark models only; PG21
	F180486	Caplug	Used in place of items 23 and 24 on non-CE mark models
24	F430265	Nut	CE mark models only
25	F231065	Decal	Warning: Personal injury
26	F340800	Keymode Switch	Includes item 27
27	F370709	Program Key	A153

# Control Module

Page 4 of 4

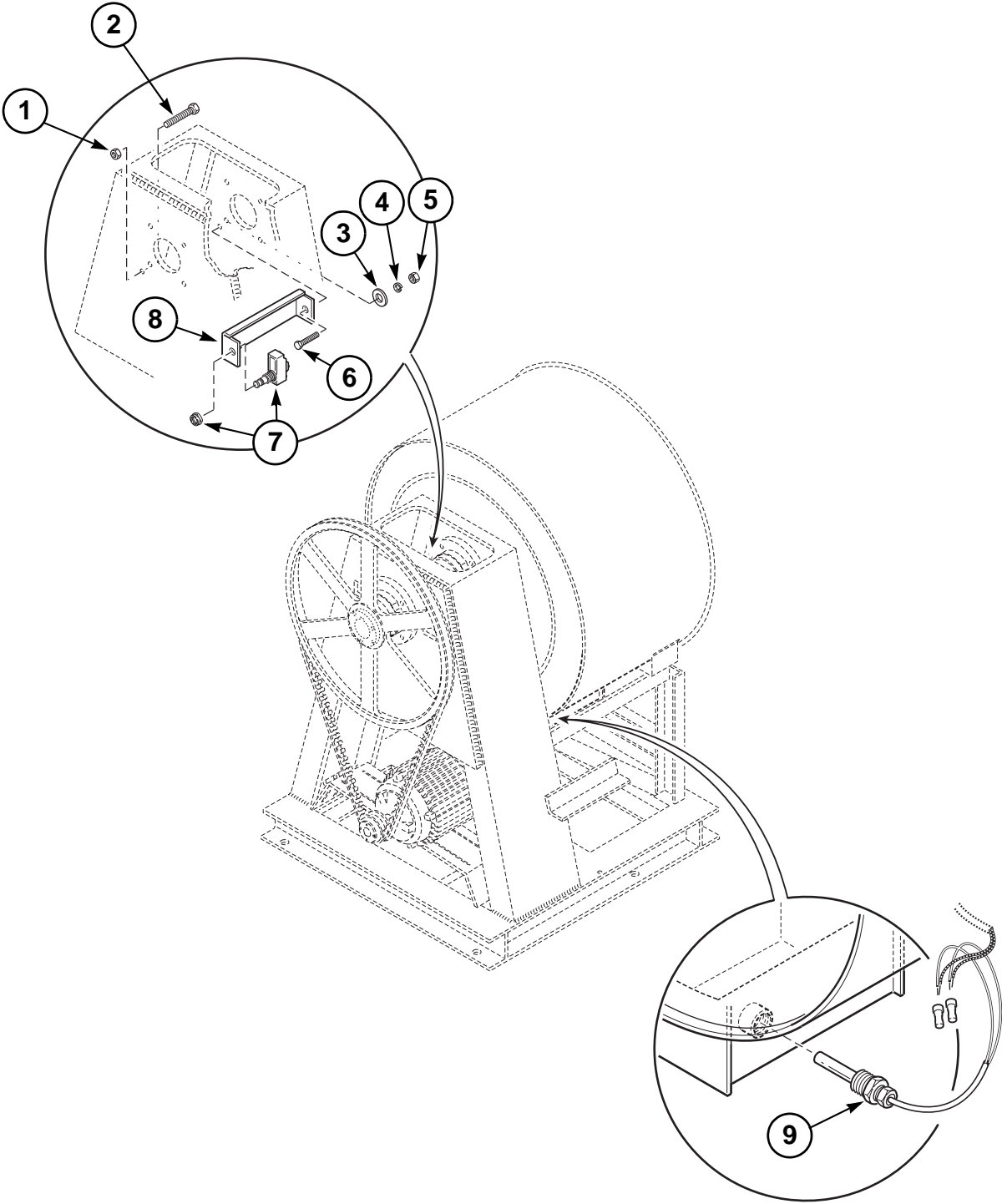


# Control Module

Page 4 of 4

REF	PART #	DESCRIPTION	COMMENTS
1	F0340346-10	Water Level Switch	
2	F422500	Connector	
3	F422404	Tubing	Order 6 feet
4	F200142	Air Trap Hose	
5	F200215	Clamp	#28
6	F381723	4-Way Valve	220 Volt
	G581P3	Diaphragm and Guide Kit	
7	F140938	Bushing	

# Balance Switch and Temperature Probe



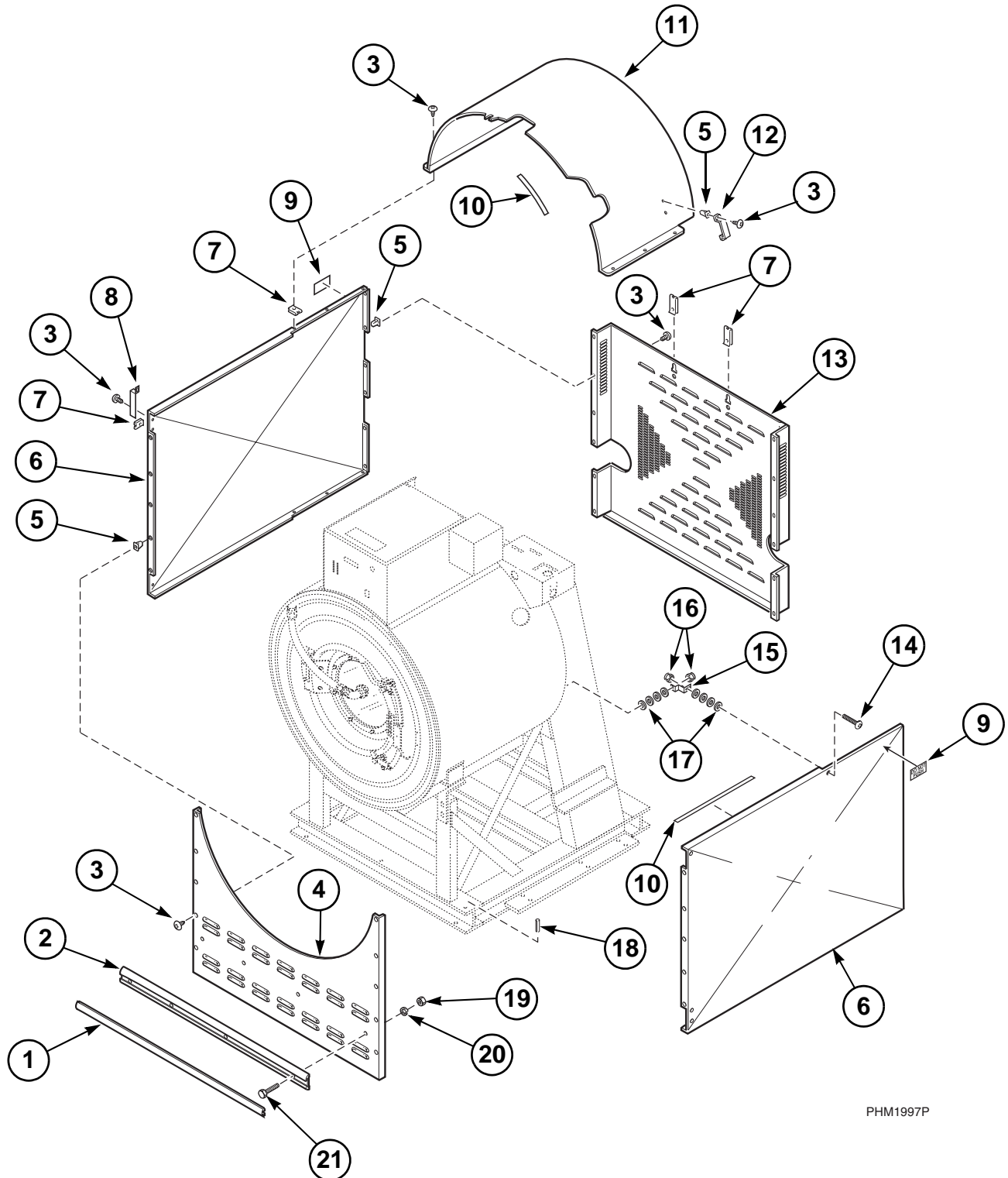
PHM1925P



## Balance Switch and Temperature Probe

REF	PART #	DESCRIPTION	COMMENTS
1	F430206	Nut	
2	F0430539-00	Bolt	
3	F430301	Washer	
4	F430305	Lockwasher	
5	F430205	Nut	
6	F430109	Screw	
7	F340900	Switch	All other models
	F340921	Switch	CE mark models
	F340924	Switch Extension	CE mark models only; Use with F340921
8	F601750	Balance Switch Bracket	
9	F370606	Temperature Probe	

# Front, Rear and Side Panels

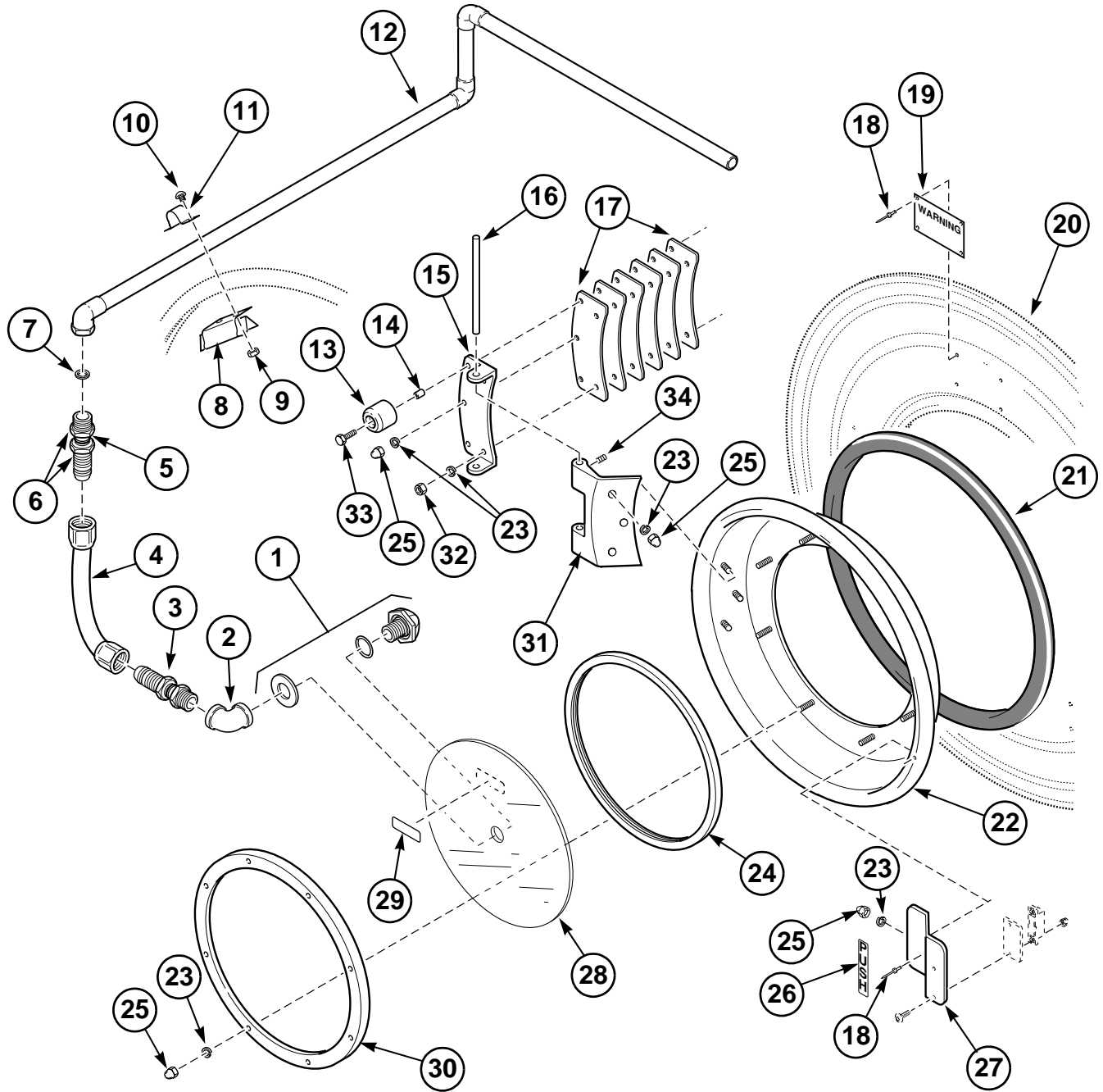


PHM1997P

## Front, Rear and Side Panels

REF	PART #	DESCRIPTION	COMMENTS
1	F150397	Extrusion Insert	Order 4 feet
2	F150409	Rub Rail	
3	F430956	Screw	
4	F635668	Front Panel	
5	F431804	Nut	
6	F635671	Side Panel	UW80PV
	F635670	Side Panel	UW100PV
7	F430264	Nut	Tinnerman
8	F607262	Side Panel Cover	
9	F230302	Decal	Do not push
10	F170400	Trim	Order 4 feet
11	F635611	Cage Wrap Weldment	UW80PV
	F635612	Cage Wrap Weldment	UW100PV
12	F605324	Supply Hose Strap	
13	F635669	Rear Panel	
14	F430921	Screw	
15	F601982	Side Panel Bracket	
16	F430215	Locknut	
17	F430317	Washer	
18	F430415	Pin	
19	F430211	Nut	
20	F431100	Lockwasher	
21	F430921	Screw	

# Door and Spray Tube Assembly

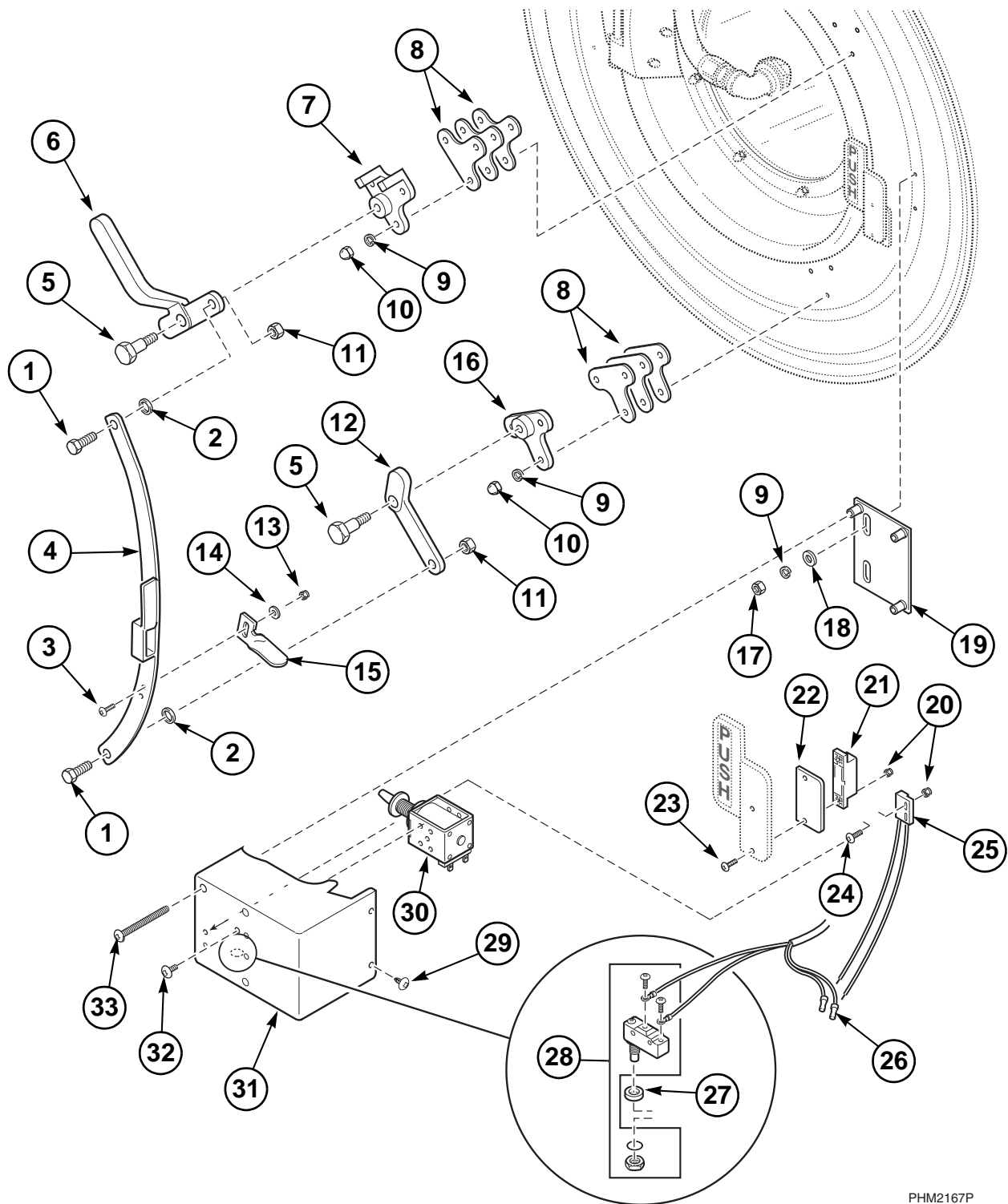


PHM1998P

## Door and Spray Tube Assembly

REF	PART #	DESCRIPTION	COMMENTS
	F730540	Door Kit	Includes items 21, 22, 24, 28, 30, 31, door brace, push handle, magnet and sealant
1	F730077	Spray Rinse Nozzle Kit	
2	F422319	Elbow	
3	F422109	No-Swivel Coupling	
4	F730024	Spray Rinse Hose Kit	Includes items 5, 6 and 7
5	F170200	O-Ring	
6	F422108	Swivel Coupling	
7	F310206	Ring Retainer	
8	F602901	Spray Rinse Bracket Assembly	
9	F431022	Nut	
10	F430917	Screw	
11	F602880	Spray Rinse Strap	
12	F603696-5	Spray Rinse Tube Assembly	UW80PV
	F603696-6	Spray Rinse Tube Assembly	UW100PV
13	F150366	Door Bumper Moulding	
14	F430416	Door Bumper Bushing	
15	F150210	Door Butt	
16	F601815	Door Hinge Pin	
17	F610695	Door Butt Shim	
18	F431210	Rivet	
19	F230200	Plate	Warning
20	F741303	Shell Front Kit	Includes the shell front, shell band gasket and plate
	F604223	Shell Front Assembly	
21	F170145	Door Gasket	
22	F730307	Door Kit	Studded
23	F431100	Lockwasher	
24	F170117	Door Glass Gasket	
25	F431026	Nut	
26	F230303	Decal	Push
27	F746202-1	Push Handle Kit	Includes the door push brace, push handle brace and magnet
28	F290200	Door Glass Kit	
29	F230652	Decal	Clockwise rotation spin
30	F601239	Door Glass Retainer	
31	F150209	Door Hinge Strap	
32	F431005	Nut	
33	F430103	Screw	
34	F430502	Screw	

# Door Lock



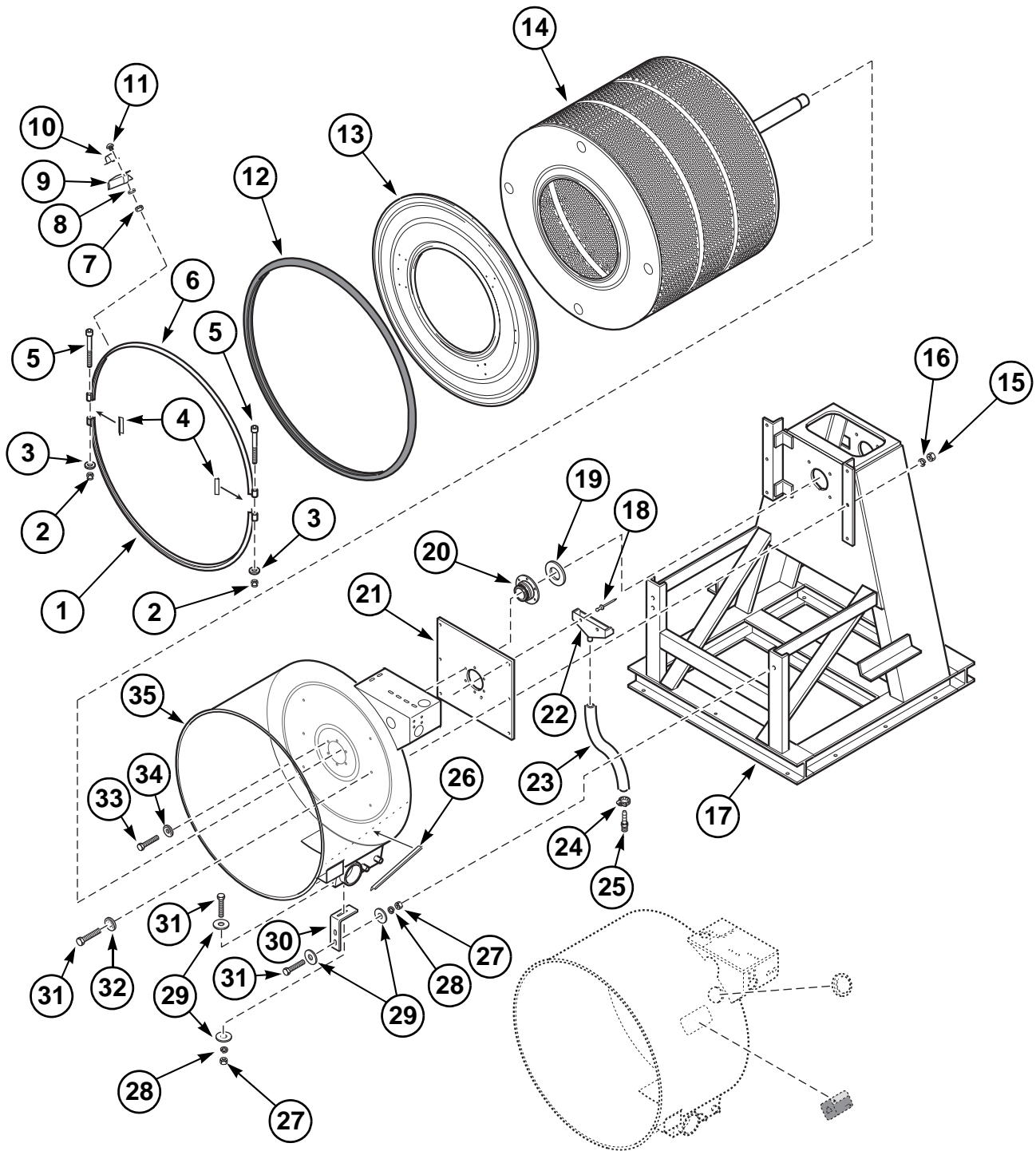
PHM2167P

# Door Lock

REF	PART #	DESCRIPTION	COMMENTS
	F604888-1	Door Box Assembly	Includes items 30, 31 and magnet
1	F430916	Screw	
2	F431108	Lockwasher	
3	F430916	Screw	
4	F604097	Extension Arm Assembly	Includes items 1, 2, 11 and 15
5	F430168	Screw	
6	F150203	Door Handle Casting	
7	F150201	Top Latch Bracket Casting	
8	F602058	Door Latch Shim	
9	F431100	Lockwasher	
10	F431026	Nut	
11	F430231	Locknut	
12	F150204	Lower Door Latch Casting	
13	F430231	Locknut	
14	F431125	Washer	
15	F601639	Extension Arm Tab	
16	F150202	Lower Door Latch Bracket Casting	
17	F430231	Locknut	
18	F431100	Lockwasher	
19	F746806	Door Box Mounting Plate Kit	
20	F430231	Locknut	
21	F340703	Magnet	
22	F609822	Push Handle Spacer	
23	F430909	Screw	
24	F430995	Screw	
25	F0340723-00	Magnetic Position Switch	
26	F140712	Connector	
27	F431142	Washer	
28	F340900	Door Interlock Switch	All other models
	F340906	Microswitch	CE models
29	F430956	Screw	
30	F300129	Door Lock Solenoid	220 Volt
31	F607202	Door Box	
32	F430928	Screw	
33	F430996	Screw	

# Basket, Shell and Frame

Page 1 of 2



PHM2028P



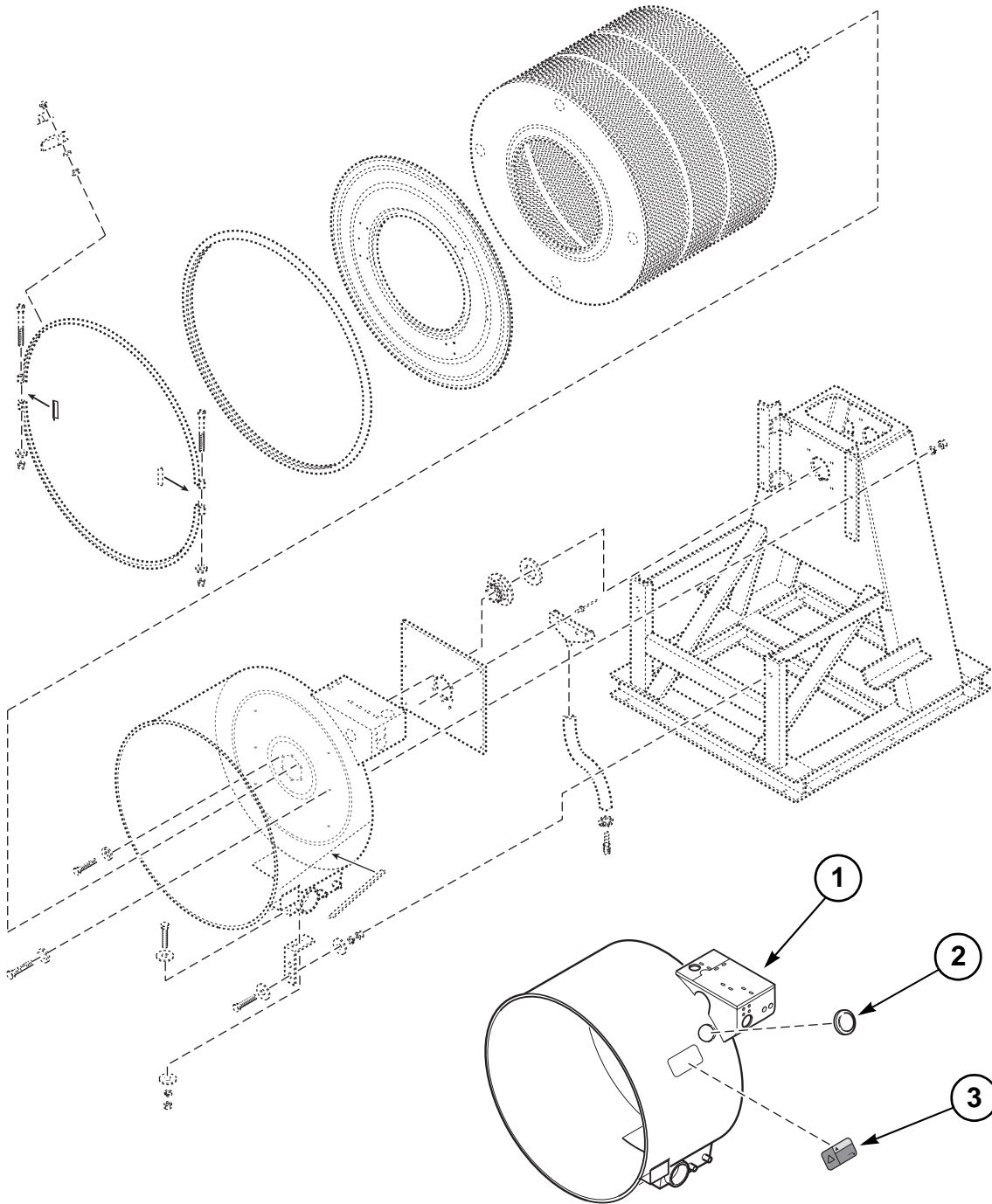
# Basket, Shell and Frame

Page 1 of 2

REF	PART #	DESCRIPTION	COMMENTS
1	F603911	Shell Band Assembly	Bottom
2	F430215	Locknut	
3	F430317	Washer	
4	F601216	Shell Gasket Shield	
5	F430518	Screw	
	F791001	Shell Band Fastener Kit	Includes items 2, 3 and 5
6	F603910	Shell Band Assembly	Top
7	F431022	Nut	
8	F431113	Lockwasher	
9	F602901	Spray Rinse Bracket Assembly	
10	F602880	Spray Rinse Strap	
11	F430917	Screw	
12	F170120	Shell Band Gasket	Order 11 feet
13	F604223	Shell Front Assembly	
	F741303	Shell Front Kit	Includes items 12, 13 and plate
14	F632403	Basket Assembly	UW80PV
	F630764	Basket Assembly	UW100PV
15	F430212	Nut	
16	F430321	Lockwasher	
17	F632394	Frame Assembly	UW80PV
	F632394-1	Frame Assembly	UW80PV; Close mount
	F630821-1	Frame Weldment	UW100PV
	F630821-2	Frame Weldment	UW100PV; Close mount
18	F431210	Rivet	
19	F100204	Slinger	
20	F0100299-00	Seal	Cartridge style
	F798827-00	Seal Kit	Includes items 12, 19, 20, sealant and installation instructions
21	F741600	Shell Reinforcement Plate Kit	Includes items 22-26
22	F150389	Scupper	
23	F200107	Hose	
24	36801	Clamp	#6
25	F421929	Hose Barb	
26	F150364	Drip Rail	
27	F430205	Nut	
28	F430305	Lockwasher	
29	F430301	Washer	
30	F601806	Shell Mounting Bracket	
31	F430924	Screw	
32	F431116	Sealing Washer	
33	F430913	Screw	
34	F431112	Sealing Washer	
35	F634471	Shell Assembly	UW80PV; 4-1/2 inch sump; Standard models; Designs 5 and 6
	F634471-1	Shell Assembly	UW80PV; 4-1/2 inch sump; Standard models with starch; Designs 5 and 6
	F632397-1	Shell Assembly	UW80PV; 10-1/2 inch sump; Electric heat models; Designs 5 and 6
	F632397-3	Shell Assembly	UW80PV; 10-1/2 inch sump; Electric heat models with starch; Designs 5 and 6
	F634495	Shell Assembly	UW100PV; 4-1/2 inch sump; Standard models; Designs 5 and 6
	F634495-1	Shell Assembly	UW100PV; 4-1/2 inch sump; Standard models with starch; Designs 5 and 6
	F630760-1	Shell Weldment	UW100PV; 10-1/2 inch sump; Electric heat models; Designs 5 and 6

# Basket, Shell and Frame

Page 2 of 2



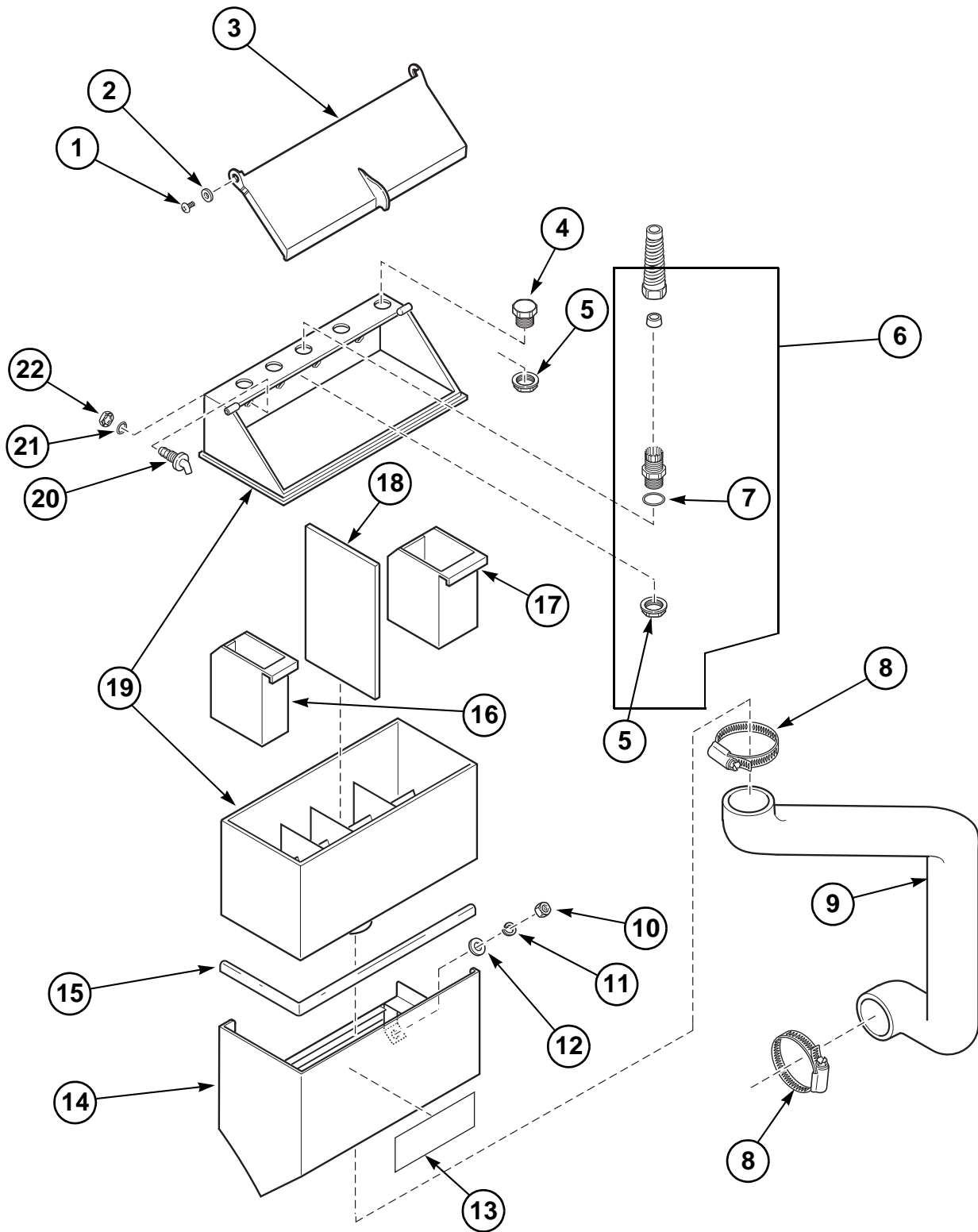
PHM2029P

# Basket, Shell and Frame

Page 2 of 2

REF	PART #	DESCRIPTION	COMMENTS
1	F0637538-00	Shell Weldment	UW80PV; Standard; Design 7
	F0637538-01	Shell Weldment	UW80PV; Standard models with starch; Design 7
	F0637656-00	Shell Weldment	UW80PV; Electric heat; Design 7
	F0637657-01	Shell Weldment	UW80PV; Electric heat with starch; Design 7
	F0637540-00	Shell Weldment	UW100PV; Standard; Design 7
	F0637540-01	Shell Weldment	UW100PV; Standard models with starch; Design 7
	F0637671-00	Shell Weldment	UW100PV; Electric heat; Design 7
2	F0200237-00	Plug	Design 7 models only
3	F0230112-00	Decal	Warning: Plug removal; Design 7 models only

# Supply Dispenser

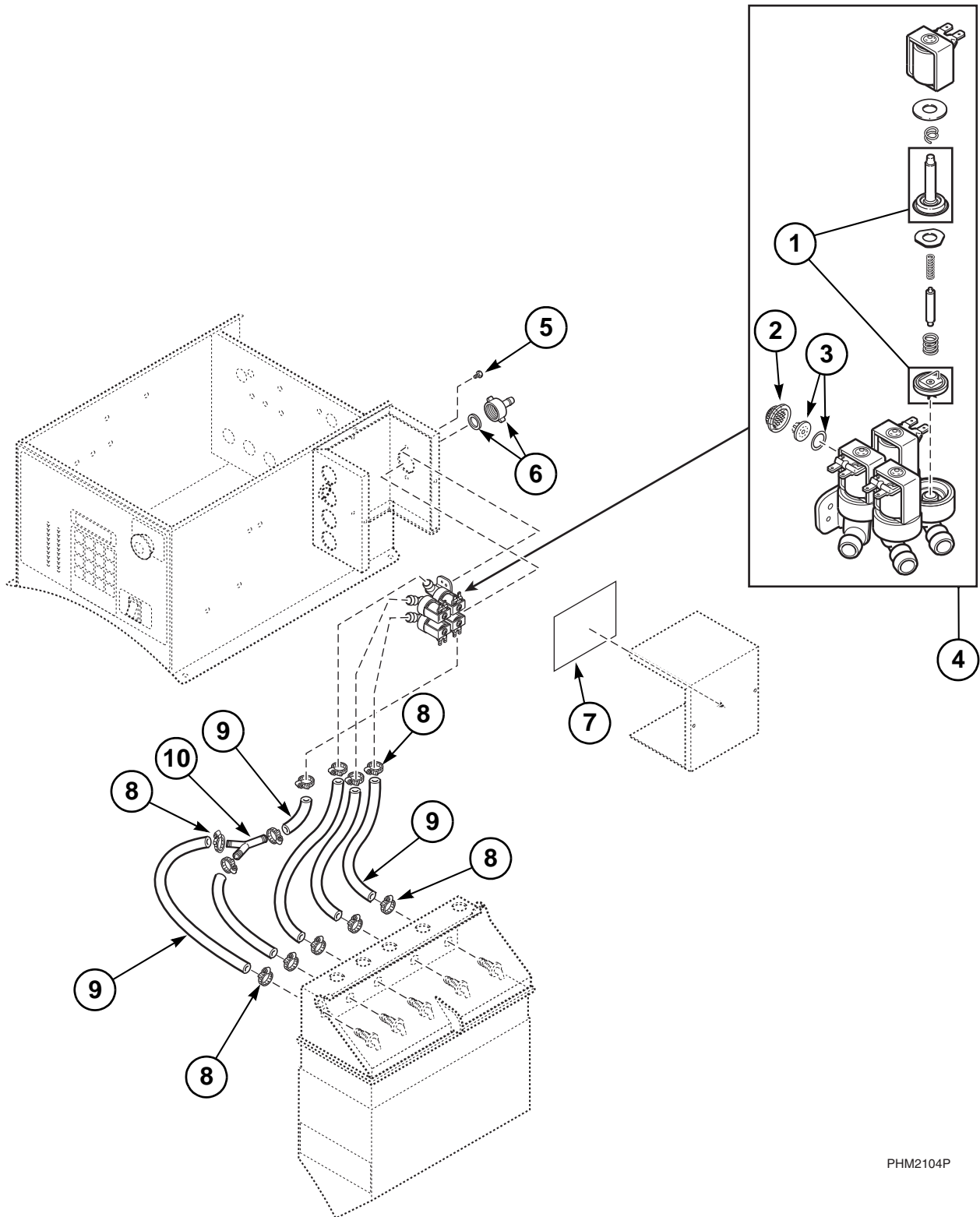


PHM2103P

# Supply Dispenser

REF	PART #	DESCRIPTION	COMMENTS
1	F430917	Screw	
2	F431133	Washer	
3	F0150514-00	Dispenser Lid	
4	F190304	Plug Cap	
5	F140340	Strain Relief Connector	
6	F749802	Strain Relief Adapter Kit	Includes items 5 and 7
7	F170215	O-Ring	
8	F200213	Clamp	#40
9	F150471	Chemical Supply Hose	UW80PV
	F150470	Chemical Supply Hose	UW100PV
10	F431005	Nut	
11	F431100	Lockwasher	
12	F431147	Washer	
13	F231436	Decal	Caution: Supply dispenser
14	F633032-2	Dispenser Shroud Weldment	Stainless steel
15	F170400	Trim	Order 4 feet
16	F150385	Chemical Supply Cup	20 ounce
17	F150386	Chemical Supply Cup	32 ounce
18	F0150525-00	Spacer	
19	F0150512-00	Dispenser Assembly	Includes items 1-5 and 16-22
	F0150513-00	Dispenser	
20	F380300	Injection Nozzle	
	F730168	Injection Nozzle Kit	Includes items 20, 21 and 22
21	F170208	O-Ring	
22	F430224	Nut	

# Water Supply Valve and Hoses to Supply Dispenser



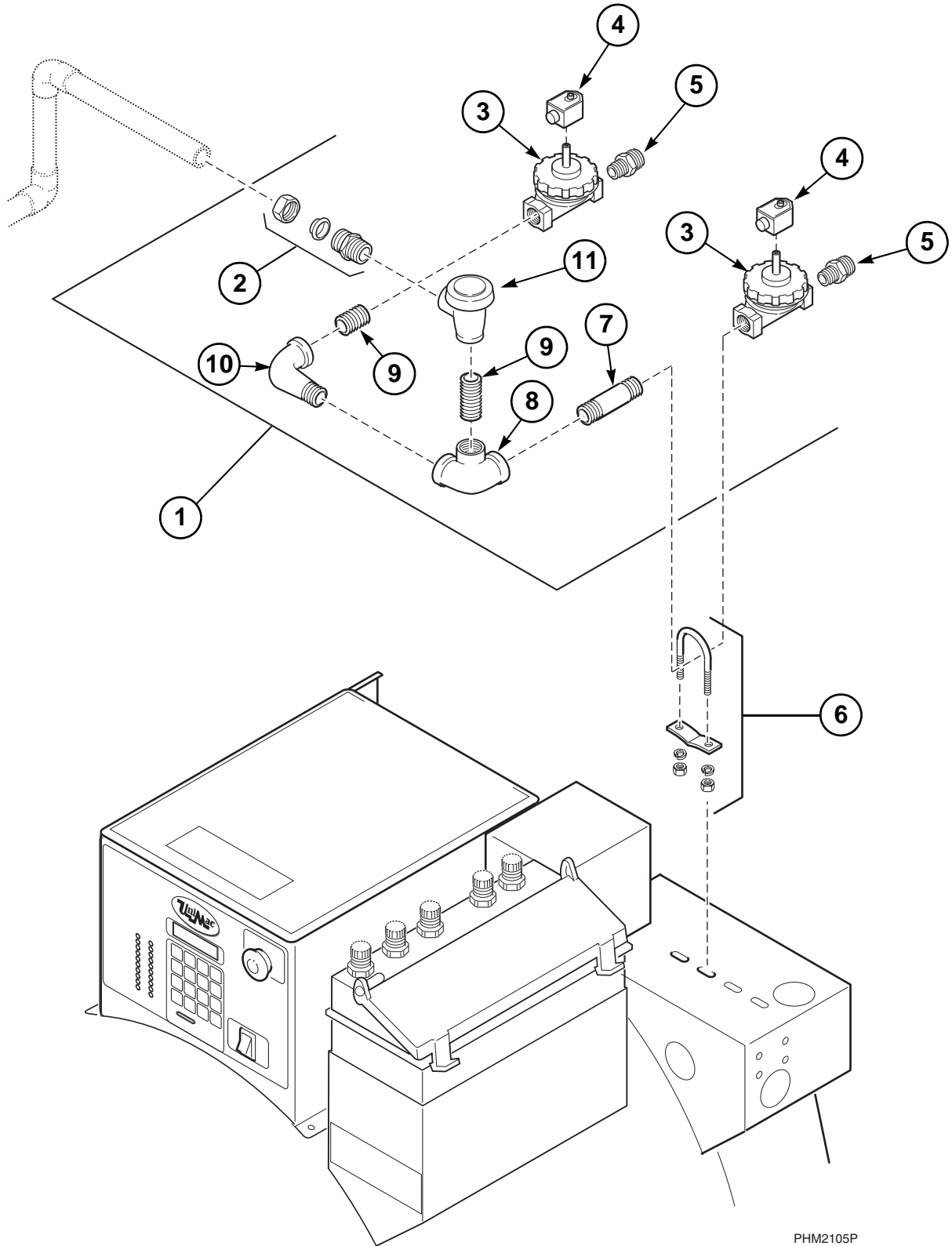
PHM2104P

## Water Supply Valve and Hoses to Supply Dispenser

REF	PART #	DESCRIPTION	COMMENTS
1	G581P3	Diaphragm and Guide Kit	
2	F270200	Strainer	
3	F380106	Flow Restrictor	8 liter
4	F381723	4-Way Valve	220 Volt
5	F430948	Screw	
6	F200302	Hose Connector	
7	F230754	Decal	Water valve assembly
8	36801	Clamp	#6
9	F200110	Hose	13 feet
10	F422816	Plastic "Y"	

# Spray Plumbing

Design 5 and 6 Models



PHM2105P



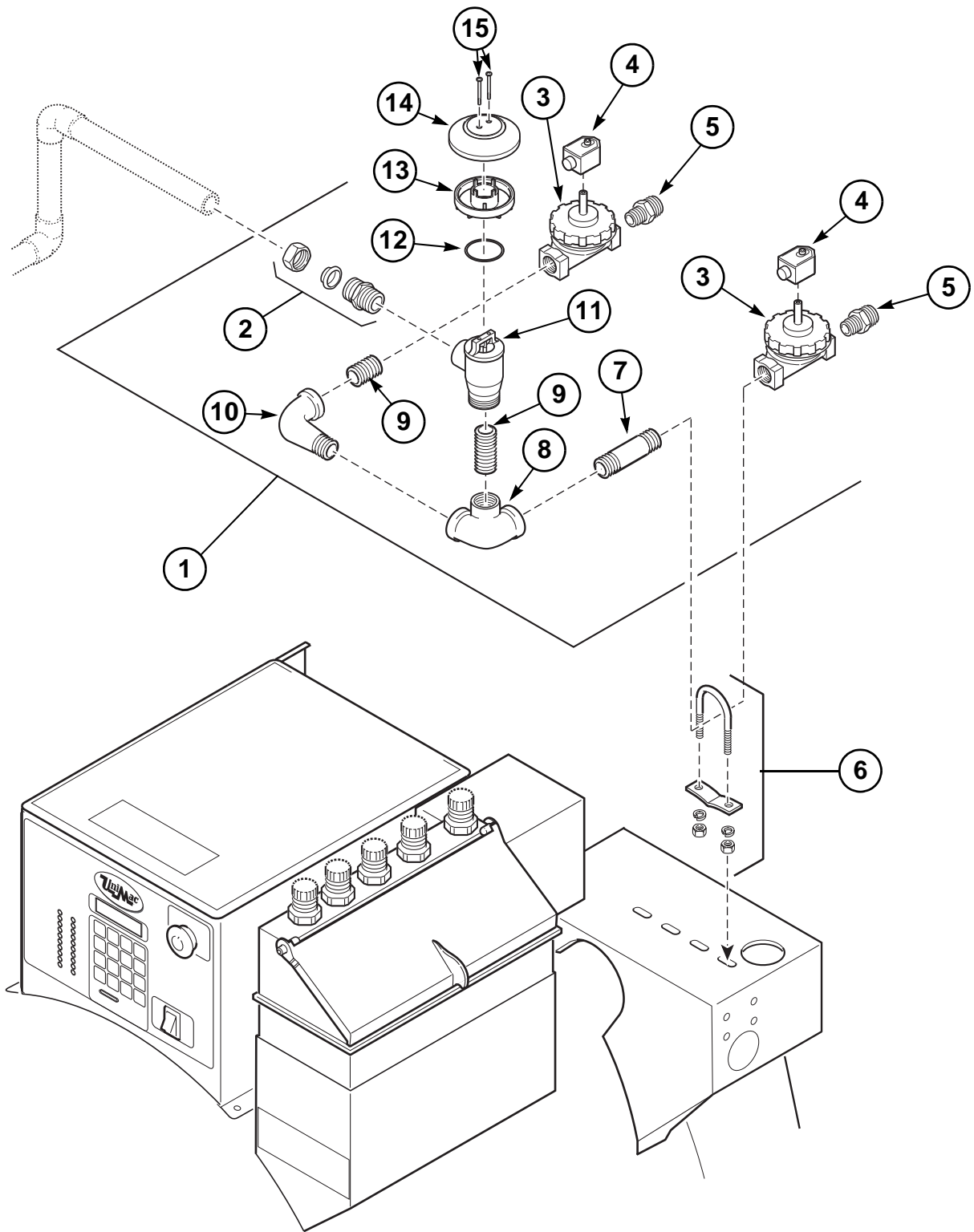
# Spray Plumbing

Design 5 and 6 Models

REF	PART #	DESCRIPTION	COMMENTS
1	F633151-1	Spray Plumbing Assembly	220 Volt; Includes items 2-5 and 7-11
	F633151-5	Spray Plumbing Assembly	220 Volt; Metric; Includes items 2-5 and 7-11
2	F422106	Connector	
3	F381701	Valve	3/4 inch; 220 Volt; Parker
	F380991	Valve Repair Kit	3/4 inch
4	F380987	DIN Coil	220 Volt
5	F421909	Adapter	Standard thread
	F421306	Nipple	Metric thread
6	F200401	U-Bolt Clamp	
7	F420107	Nipple	
8	F420509	Elbow	
9	F420105	Nipple	
10	F420502	Elbow	
11	F380800	Vacuum Breaker Assembly	3/4 inch
	F380965	Repair Kit	3/4 inch

# Spray Plumbing

Design 7 Models



PHM2106P

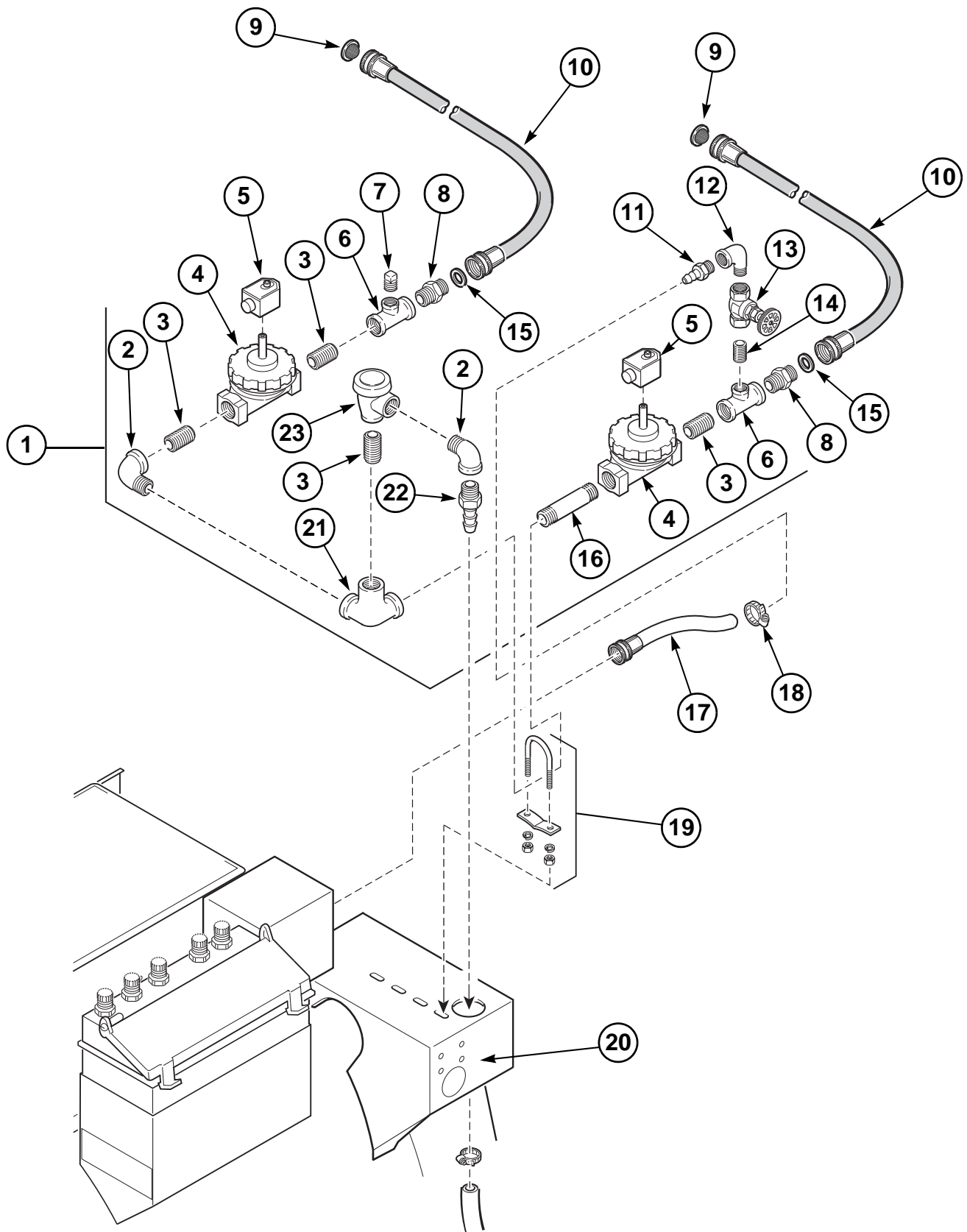
# Spray Plumbing

Design 7 Models

REF	PART #	DESCRIPTION	COMMENTS
1	F0637638-01	Spray Plumbing Assembly	220 Volt; Includes items 2-5 and 7-15
	F0637638-03	Spray Plumbing Assembly	220 Volt; Metric; Includes items 2-5 and 7-15
2	F422106	Connector	
3	F381701	Valve	3/4 inch; 220 Volt; Parker
	F380991	Valve Repair Kit	3/4 inch
4	F380987	DIN Coil	220 Volt
5	F421909	Adapter	Standard thread
	F421306	Nipple	Metric thread
6	F200401	U-Bolt Clamp	
7	F420107	Nipple	
8	F420509	Elbow	
9	F420105	Nipple	
10	F420502	Elbow	
11	F380800	Vacuum Breaker Assembly	3/4 inch; Includes items 11-15; Repair kit part number F380965
	F0798922-00	Vacuum Breaker Leak Containment Kit	Includes items 12-15 and installation instructions
12	F0170221-00	O-Ring	
13	F0380809-00	Containment Device	
14	F0380808-00	Vacuum Breaker Cap	
15	F430938	Screw	

# Fill Plumbing

Design 5 and 6 Models; Used Before 3/02



PHM2107P

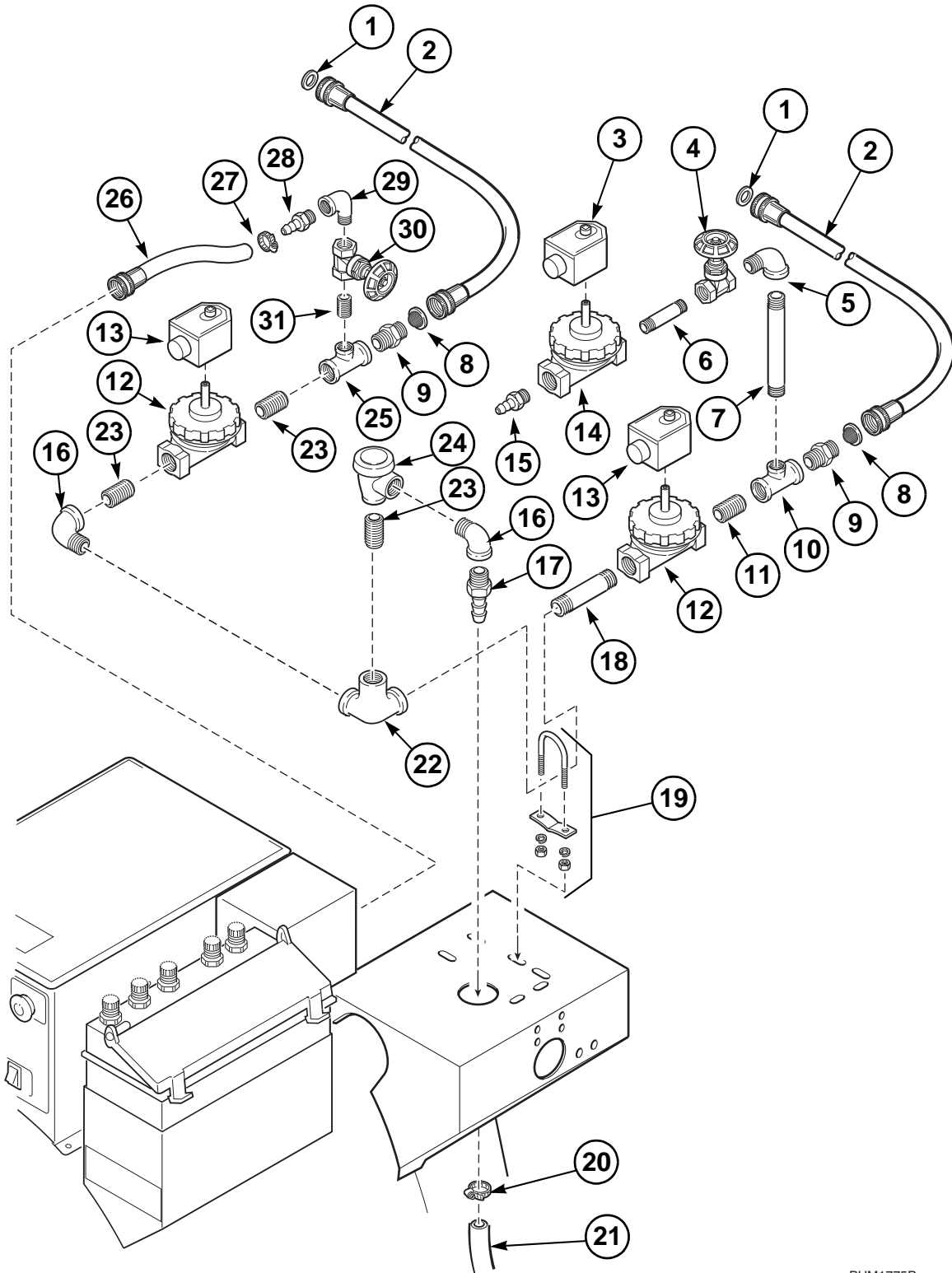
# Fill Plumbing

Design 5 and 6 Models; Used Before 3/02

REF	PART #	DESCRIPTION	COMMENTS
1	F633146-1	Fill Plumbing Assembly	220 Volt; Includes items 1-16 and 21-23
	F633419-1	Fill Plumbing Assembly	220 Volt; Starch; Includes items 1-16 and 21-23
	F633146-5	Fill Plumbing Assembly	220 Volt; Metric; Includes items 1-16 and 21-23
	F633419-5	Fill Plumbing Assembly	220 Volt; Metric; Starch; Includes items 1-16 and 21-23
2	F420502	Elbow	
3	F420105	Nipple	
4	F381701	Valve	3/4 inch; 220 Volt; Parker; Repair kit part number F380991
5	F380987	DIN Coil	220 Volt
6	F420400	Tee	
7	F420408	Plug	
8	F421909	Hose Adapter	Standard thread
	F421306	Nipple	Metric thread
9	F270300	Filter Screen	
10	F200164	Hose	Standard thread
	F200166	Hose	Metric thread
11	F421903	Adapter	
12	F420500	Elbow	
13	F380500	Gate Valve	1/2 inch
14	F420101	Nipple	
15	20290	Washer	
16	F420107	Nipple	
17	F200509	Hose	
18	F200206	Clamp	#4
19	F200401	U-Bolt Clamp	
20	F200222	Clamp	#12
21	F420509	Elbow	
22	F421951	Hose Barb	
23	F380800	Vacuum Breaker Valve	3/4 inch
	F380965	Valve Repair Kit	3/4 inch

# Fill Plumbing

Design 5 and 6 Models; Used After 3/02



PHM1775P

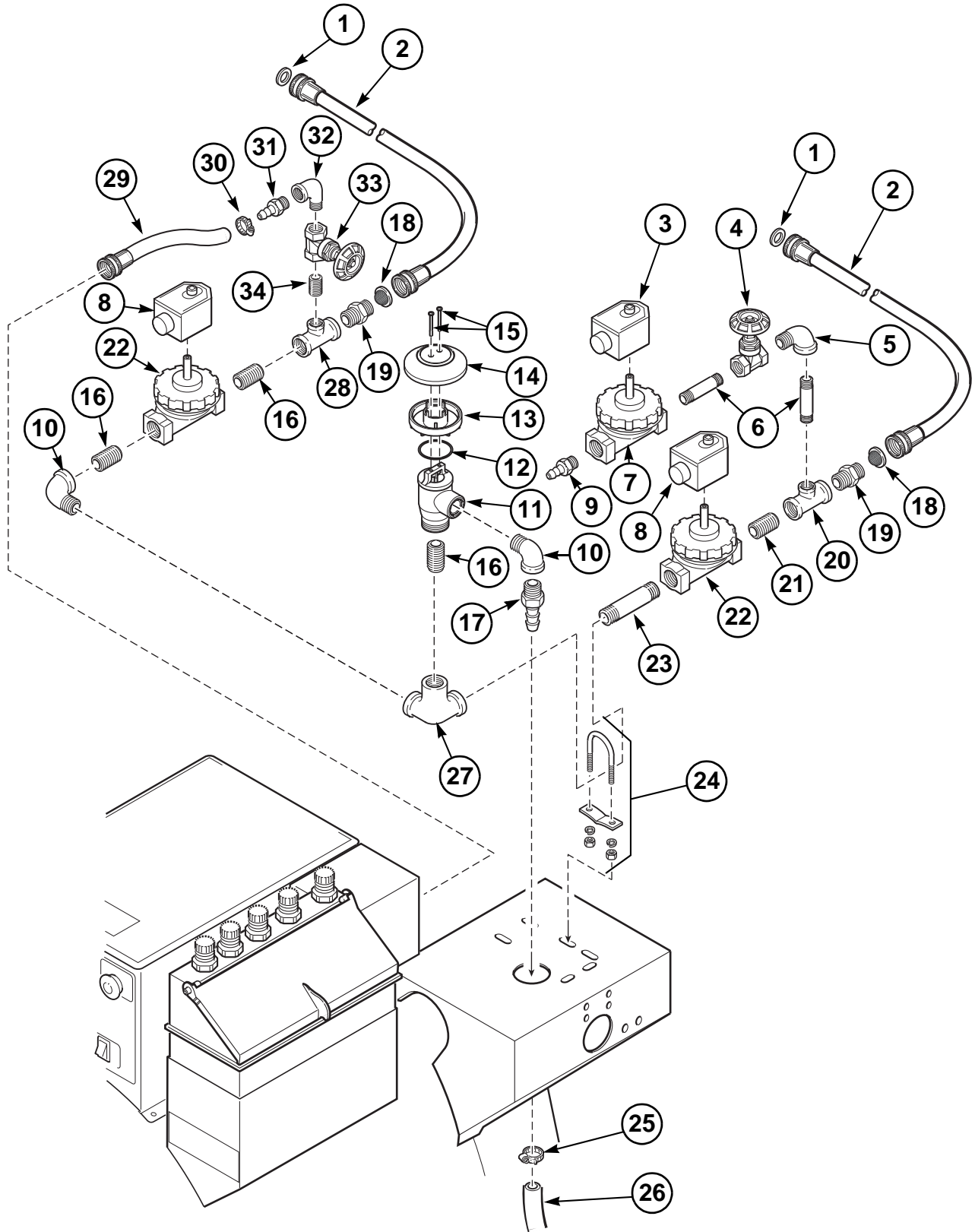
# Fill Plumbing

Design 5 and 6 Models; Used After 3/02

REF	PART #	DESCRIPTION	COMMENTS
	F633146-1	Fill Plumbing Assembly	220 Volt; Standard thread; Includes items 9, 12, 13, 16-18, 22-25 and 28-31
	F633146-5	Fill Plumbing Assembly	220 Volt; Metric thread; Includes items 9, 12, 13, 16-18, 22-25 and 28-31
	F633419-1	Fill Plumbing Assembly	220 Volt; Standard thread; Starch; Includes items 3-7, 9-18, 22-25 and 28-31
	F633419-5	Fill Plumbing Assembly	220 Volt; Metric thread; Starch; Includes items 3-7, 9-18, 22-25 and 28-31
1	20290	Washer	
2	F200164	Hose	Standard thread
	F200166	Hose	Metric thread
3	F380987	DIN Coil	220 Volt; Starch models only
4	F380500	Gate Valve	Starch models only
5	F420500	Street Elbow	Starch models only
6	F420103	Nipple	Starch models only
7	F420104	Nipple	Starch models only
8	F270300	Filter Screen	
9	F421909	Hose Adapter	Standard thread
	F421306	Nipple	Metric thread
10	F420402	Tee	Starch models only
11	F420105	Nipple	Starch models only
12	F381701	Valve	220 Volt; 3/4 inch; Parker; With DIN
	F380991	Valve Repair Kit	3/4 inch
13	F380987	DIN Coil	220 Volt
14	F381703	Valve	220 Volt; Starch models only; 1/2 inch
	F380993	Valve Repair Kit	Starch models only; 1/2 inch
15	F421964	Hose Barb	Starch models only
16	F420502	Street Elbow	
17	F421951	Hose Barb	
18	F420107	Nipple	
19	F200401	U-Bolt Clamp	
20	F200222	Clamp	#12
21	F200111	Hose	Order 6 feet
22	F420509	Elbow	
23	F420105	Nipple	
	F380800	Vacuum Breaker Valve	3/4 inch
24	F380965	Repair Kit	3/4 inch
	F420402	Tee	
26	F200509	Hose	
27	F200206	Clamp	#4
28	F421964	Hose Barb	
29	F420500	Elbow	
30	F380500	Gate Valve	1/2 inch
31	F420101	Nipple	

# Fill Plumbing

Design 7 Models



PHM2108P

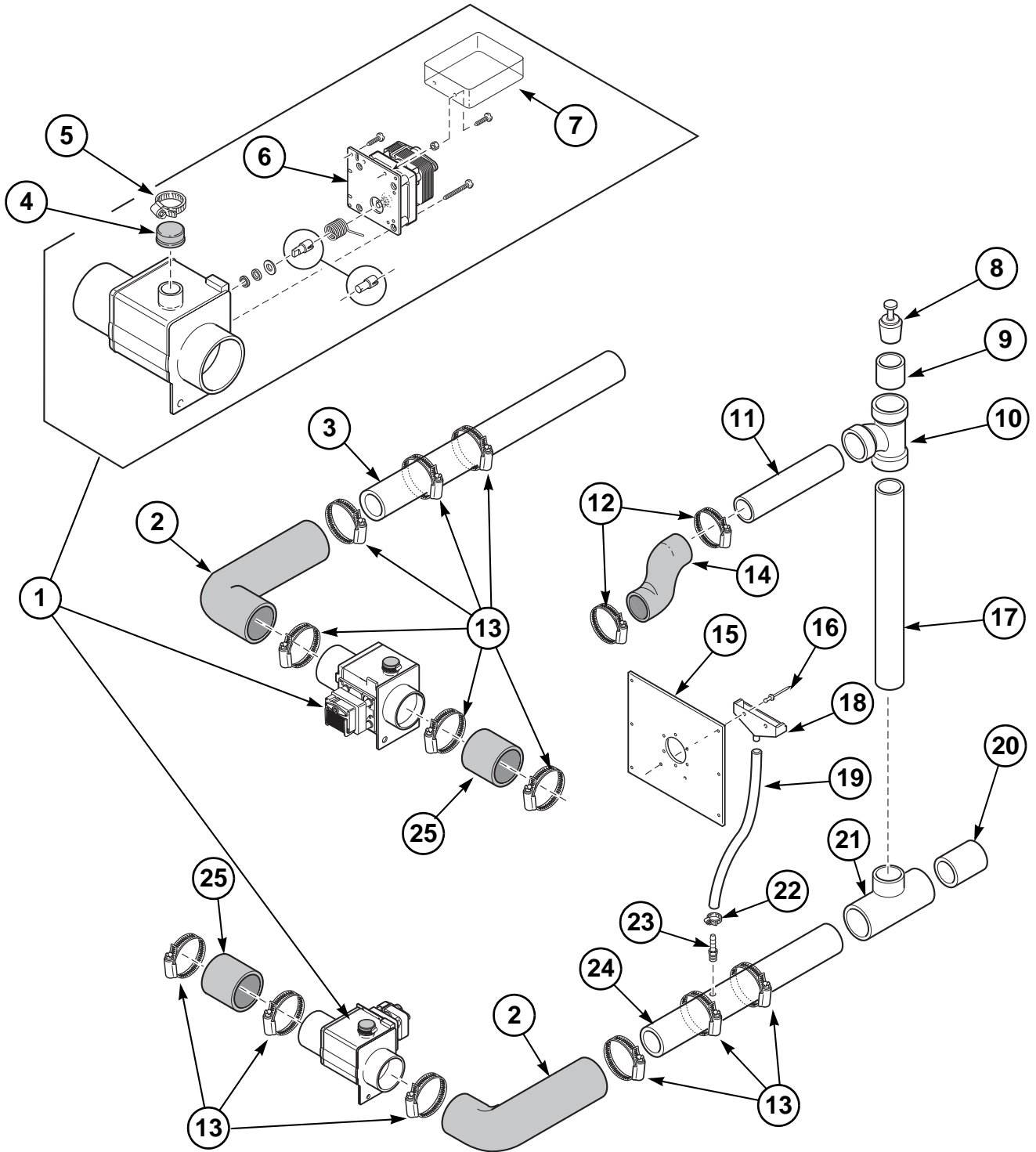


# Fill Plumbing

Design 7 Models

REF	PART #	DESCRIPTION	COMMENTS
	F0637637-01	Fill Plumbing Assembly	220 Volt; Standard thread; Includes items 8, 10-17, 19, 23, 27, 28 and 31-34
	F0637637-03	Fill Plumbing Assembly	220 Volt; Metric thread; Includes items 8, 10-17, 19, 23, 27, 28 and 31-34
	F0637640-00	Fill Plumbing Assembly	220 Volt; Standard thread; Starch; Includes items 3-17, 19, 23, 27, 28 and 31-34
	F0637640-01	Fill Plumbing Assembly	220 Volt; Metric thread; Starch; Starch; Includes items 3-17, 19, 23, 27, 28 and 31-34
1	20290	Washer	
2	F200164	Water Hose	Standard thread
	F200166	Water Hose	Metric thread
3	F380987	DIN Coil	220 Volt; Starch models only
4	F380500	Gate Valve	Starch models only
5	F420500	Street Elbow	Starch models only
6	F420103	Nipple	Starch models only; Parker; With DIN
7	F381703	Valve	220 Volt; Starch models only; 1/2 inch
	F380993	Valve Repair Kit	Starch models only; 1/2 inch
8	F380987	DIN Coil	220 Volt
9	F421964	Hose Barb	Starch models only
10	F420502	Street Elbow	
11	F0637547-00	Vacuum Breaker Assembly	3/4 inch; Repair kit part number F380965; Includes items 11-15 and installation instructions
	F0798922-00	Vacuum Breaker Leak Containment Kit	Includes items 12-15 and installation instructions
12	F0170221-00	O-Ring	
13	F0380809-00	Containment Device	
14	F0380808-00	Vacuum Breaker Cap	
15	F430938	Screw	
16	F420105	Nipple	
17	F421951	Hose Barb	
18	F270300	Filter Screen	
19	F421909	Hose Adapter	Standard thread
	F421306	Nipple	Metric thread
20	F420402	Tee	Starch models only
21	F420105	Nipple	Starch models only
22	F381701	Valve	220 Volt; 3/4 inch; Parker; With DIN
	F380991	Valve Repair Kit	3/4 inch
23	F420107	Nipple	
24	F200401	U-Bolt Clamp	
25	F200222	Clamp	#12
26	F200111	Hose	Order 6 feet
27	F420509	Elbow	
28	F420402	Tee	
29	F200509	Hose	
30	F200206	Clamp	#4
31	F421964	Hose Barb	
32	F420500	Elbow	
33	F380500	Gate Valve	
34	F420101	Nipple	

# Drain System, Overflow and Vent Pipes

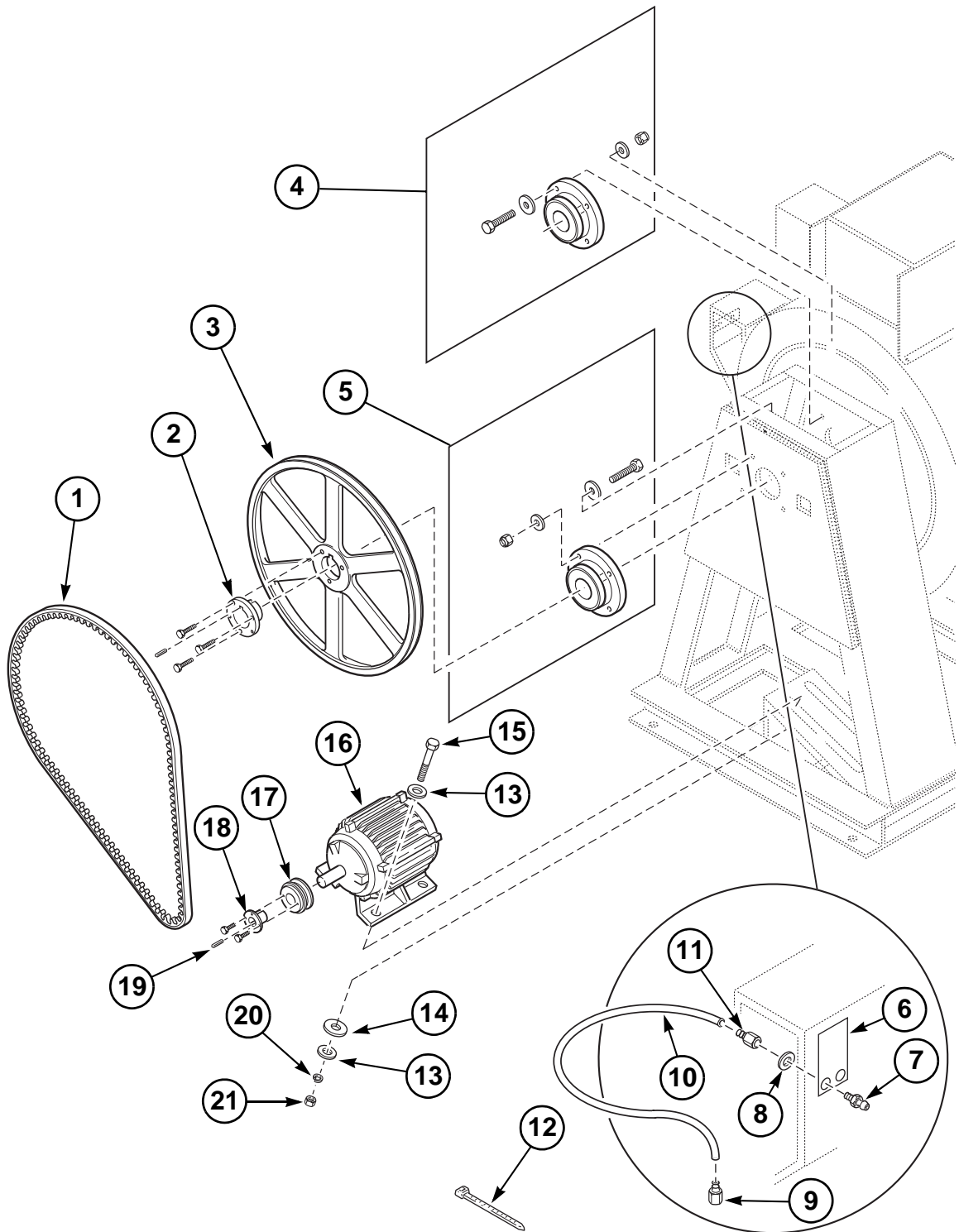


PHM1943P

## Drain System, Overflow and Vent Pipes

REF	PART #	DESCRIPTION	COMMENTS
1	F380629	Drain Valve	220 Volt
2	F150437	Drain Hose	Rear
3	F610039	Pipe	
4	F150352	Overflow Plug	
5	F200215	Clamp	#28
6	F380933	Drain Valve Motor	220 Volt; Keyed shaft
7	F380946	Drain Motor Cover	
8	F380117	Vacuum Breaker	
9	F422508	Adapter	
10	F422801	Tee	
11	F602365-14	Pipe	
12	F200213	Clamp	#40
13	F200201	Clamp	#56
14	F150309	Hose	
15	F741600	Shell Reinforcement Plate Kit	Includes items 16, 18, 19, 22 and 23
16	F431210	Rivet	
17	F610824	Pipe	
18	F150389	Scupper	
19	F200107	Hose	Order 3 feet
20	F602365-9	Pipe	UW80PV
	F602365-7	Pipe	UW100PV
21	F422803	Tee	
22	36801	Clamp	#6
23	F421929	Hose Barb	
24	F610778	Pipe	UW80PV
	F602365-8	Pipe	UW100PV
25	F150442	Drain Hose	Front

# Motor, Pulley and Bearings

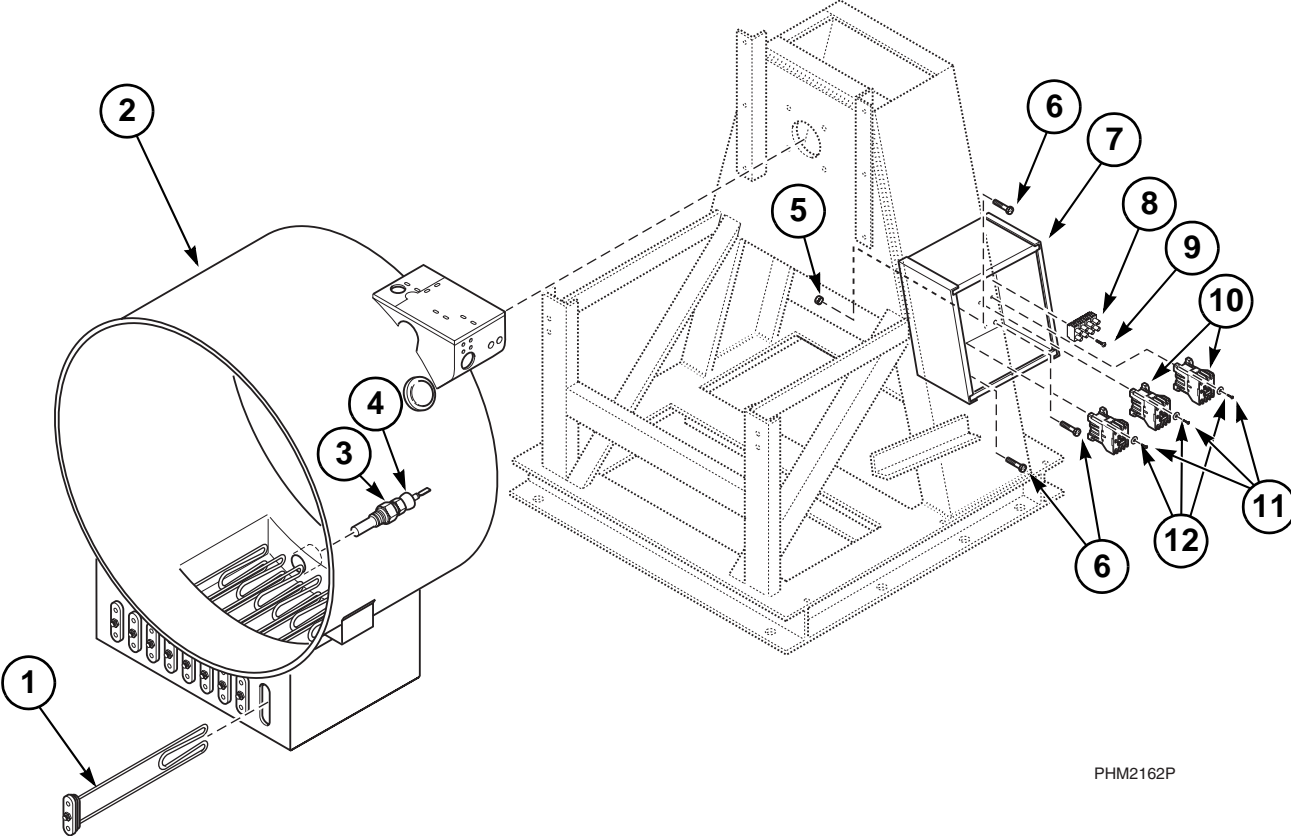


PHM2161P

## Motor, Pulley and Bearings

REF	PART #	DESCRIPTION	COMMENTS
1	F280355	Belt	BX108; 2 required
2	F280294	Pulley Bushing	Includes screws and key; 2-7/16 inch
3	F280412	Pulley	2B305F
4	F798831-00	Front Bearing Kit	Includes seal and hardware
5	F745006	Rear Bearing Kit	
6	F231563	Decal	Lubrication
7	F190701	Grease Fitting	
8	F430332	Washer	
9	F422101	Coupling	
10	F200190	Tubing	Order 6 feet for UW80PV and 7 feet for UW100PV
11	F422114	Coupling	
12	F140605	Cable Tie	6 inch
13	F430301	Washer	
14	F430300	Washer	
15	F430993	Screw	
16	F220237	Motor	195/390 Volt; 7.5 Horsepower; U5 models
	F220438	Motor	195/390 Volt; 7.5 Horsepower; U6 and U7 models
17	F280181	Pulley	2BK34H
18	F280242	Motor Bushing	Includes screws and item 19; H - 1-3/8
19	F430817	Key	
20	F430305	Lockwasher	
21	F430205	Nut	

# Electric Heat Option

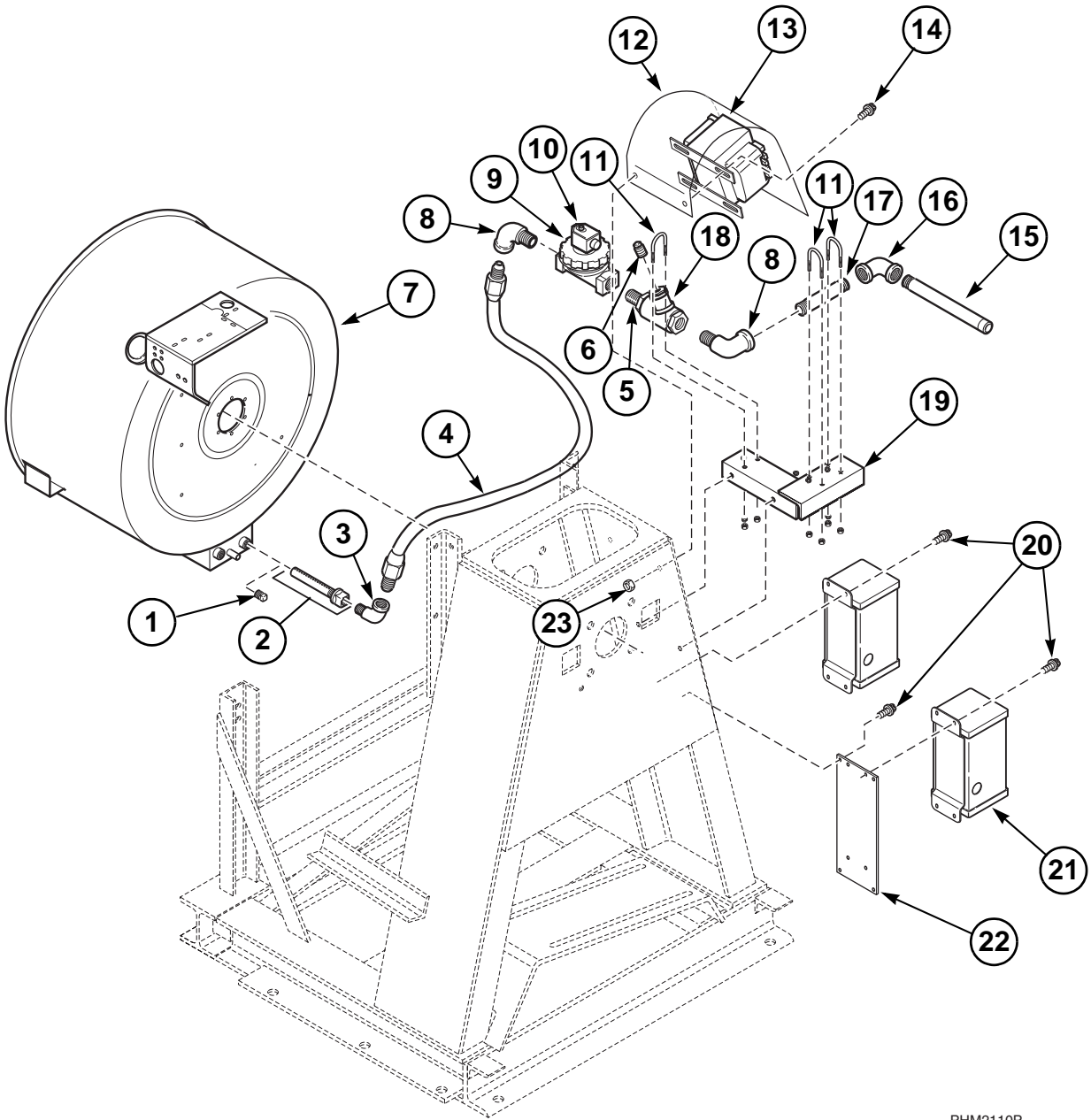


PHM2162P

## Electric Heat Option

REF	PART #	DESCRIPTION	COMMENTS
1	F360203	Heating Element	220 Volt; 9 used
2	F632397-1	Shell Assembly	UW80PV; 10-1/2 inch sump; Electric heat models; Designs 5 and 6
	F632397-3	Shell Assembly	UW80PV; 10-1/2 inch sump; Electric heat models with starch; Designs 5 and 6
	F630760-1	Shell Weldment	UW100PV; 10-1/2 inch sump; Electric heat models; Designs 5 and 6
	F0637656-00	Shell Weldment	UW80PV; Electric heat models; Design 7
	F0637657-01	Shell Weldment	UW80PV; Electric heat models with starch; Design 7
	F0637671-00	Shell Weldment	UW100PV; Electric heat models; Design 7
	F0637671-01	Shell Weldment	UW100PV; Electric heat models with starch; Design 7
3	F421936	Reducer Bushing	
4	F370606	Temperature Probe	
5	F430215	Locknut	
6	F430107	Screw	
7	F140413	Box	
8	F140770	Terminal Block	
9	F430938	Screw	
10	F330188	Contactator	220 Volt; NX208
11	F430910	Screw	
12	F430311	Washer	

# Transformers and Steam Heat Option



PHM2110P



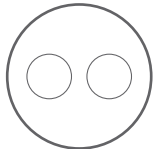




## Transformers and Steam Heat Option

REF	PART #	DESCRIPTION	COMMENTS
	F635653-2	Steam Plumbing Assembly	UW80PV; Includes items 2-7 and 13-17
	F635653-3	Steam Plumbing Assembly	UW100PV; Includes items 2-7 and 13-17
	F410300	Pipe Insulation	
1	F603134	Plug	
2	F603131	Steam Injection Tube Assembly	
3	F421703	Elbow	Stainless steel
4	F200153	Steam Hose	
5	F420708	Nipple	
6	F420409	Plug	
7	F634471	Shell Assembly	UW80PV; Designs 5 and 6
	F634471-1	Shell Assembly	UW80PV; Designs 5 and 6; With starch
	F0637538-00	Shell Weldment	UW80PV; Design 7
	F0637538-01	Shell Weldment	UW80PV; Design 7; With starch
	F634495	Shell Assembly	UW100PV; Designs 5 and 6
	F634495-1	Shell Assembly	UW100PV; Designs 5 and 6; With starch
	F0637540-00	Shell Weldment	UW100PV; Design 7
	F0637540-01	Shell Weldment	UW100PV; Design 7; With starch
8	F421103	Street Elbow	
9	F380787	Steam Valve	1/2 inch; 220 Volt; Repair kit Part No. F380984
10	F380987	DIN Coil	220 Volt
11	F200401	U-Bolt Clamp	Includes washers and nuts
12	F140425	Cover	
13	F360157	Transformer	Used on P and N-voltage models only
14	F430935	Screw	
15	F420715	Nipple	UW80PV
	F420714	Nipple	UW100PV
16	F421104	Elbow	
17	F420711	Nipple	
18	F270307	Steam Filter	
19	F635634	Steam Bracket Weldment	
20	F430939	Screw	
21	F360140	Transformer	Buckboost; Used on N-voltage models only; 2 per machine
22	F631276	Transformer Adapter Plate	Used on N-voltage models only
23	F430215	Locknut	

# Security Fasteners

The parts associated with the security fastener option on UW washer-extractors are as follows.

Please note that if your washer-extractor has been equipped with the security option, it may contain the screws listed in either option listed below. Please check the head type and head illustration to confirm the security screw that is in use.

<b>Security Fastener Option One</b>					
<b>Standard Screw Part Number</b>	<b>Security Screw Part Number</b>	<b>Security Bit Part Number</b>	<b>Typical Location</b>	<b>Screw Size</b>	<b>Head Type/ Illustration</b>
F430996	F0430273-00	F704907	Door Box to Bracket	1/4 inch - 20 x 2-1/2 inch	 PHM1959P 1/4 inch Spanner
F430921	F0430272-00	F704907	Side Panel to Bracket	1/4 inch - 20 x 1-1/2 inch	
F430925	F0430274-00	F704907	Drive Box or Cover	1/4 inch - 20 x 1/2 inch	
F430956	F0430275-00	F704906	Side Panels and Module Cover	#8 - 32 x 1/2 inch	 PHM1960P 1/8 inch Hex
F430904	F430960	F704906	Module to Shell	#10 - 32 x 3/8 inch	
<b>Security Fastener Option Two</b>					
<b>Standard Screw Part Number</b>	<b>Security Screw Part Number</b>	<b>Security Bit Part Number</b>	<b>Typical Location</b>	<b>Screw Size</b>	<b>Head Type/ Illustration</b>
F430996	F432260	F704904	Door Box to Bracket	1/4 inch - 20 x 2-1/2 inch	 PHM1961P #3 Phillips
F430925	F430959	F704897	Drive Box or Cover	1/4 inch - 20 x 1/2 inch	 PHM1960P 5/32 inch Hex
F430956	F432259	281P4	Side Panels and Module Cover	#8 - 32 x 1/2 inch	 PHM1962P T-15 Torx

# Parts Index

## A

AC Drive	
F370853.....	9
F370854.....	9
AC Drive Partition	
F635366.....	7
Adapter	
F421903.....	35
F421909.....	31, 33
F422508.....	41
Air Flow Ramp Assembly	
F0637748-00.....	7
Air Trap Hose	
F200142.....	13

## B

Balance Switch Bracket	
F601750.....	15
Basket Assembly	
F630764.....	23
F632403.....	23
Battery	
F191101.....	7
Belt	
F280355.....	43
Bolt	
F0430539-00.....	15
Box	
F140413.....	45
Bushing	
F140938.....	13
Buzzer	
F300206.....	9

## C

Cable Tie	
F140605.....	43
Cable Tray Assembly	
F0635615-03.....	7
F0635615-04.....	7
Cable Tray Cover	
F635378.....	7
F635480.....	7
Cage Wrap Weldment	
F635611.....	17
F635612.....	17
Caplug	
F180486.....	11
Chemical Supply Cup	
F150385.....	27
F150386.....	27
Chemical Supply Hose	
F150470.....	27
F150471.....	27

Circuit Breaker	
F350210.....	11
F350216.....	9
Clamp	
F140602.....	7
F200201.....	41
F200206.....	35, 37, 39
F200213.....	27, 41
F200215.....	13, 41
F200222.....	35, 37, 39
36801.....	23, 29, 41
Computer Cover	
F606826.....	7
Connector	
F140712.....	21
F141021.....	11
F422106.....	31, 33
F422500.....	13
Contact Block Switch	
F340445.....	7
Contactora	
F330188.....	45
Containment Device	
F0380809-00.....	33, 39
Control Module Cover	
F635456.....	7
Control Mounting Panel Assembly	
F635374.....	7
Coupling	
F422101.....	43
F422114.....	43
Cover	
F140425.....	47

## D

Decal	
F0230112-00.....	5, 25
F0231636-00.....	11
F230206.....	5, 7
F230301.....	5
F230302.....	5, 17
F230303.....	19
F230630.....	11
F230652.....	5, 19
F230724.....	7
F230754.....	29
F230764-10.....	5
F230764-9.....	5
F231065.....	5, 11
F231345-4.....	5
F231345-5.....	5
F231367.....	5
F231368.....	5
F231380.....	5
F231436.....	5, 27
F231562.....	7
F231563.....	43
F231564.....	11
F231572-1.....	7
Diaphragm and Guide Kit	
G581P3.....	13, 29

DIN Coil	
F380987 .....	31, 33, 35, 37, 39, 47
Dispenser	
F0150513-00 .....	27
Dispenser Assembly	
F0150512-00 .....	27
Dispenser Lid	
F0150514-00 .....	27
Dispenser Shroud Weldment	
F633032-2 .....	27
Door Box	
F607202 .....	21
Door Box Assembly	
F604888-1 .....	21
Door Box Mounting Plate Kit	
F746806 .....	21
Door Bumper Bushing	
F430416 .....	19
Door Bumper Moulding	
F150366 .....	19
Door Butt	
F150210 .....	19
Door Butt Shim	
F610695 .....	19
Door Gasket	
F170145 .....	19
Door Glass Gasket	
F170117 .....	19
Door Glass Kit	
F290200 .....	19
Door Glass Retainer	
F601239 .....	19
Door Handle Casting	
F150203 .....	21
Door Hinge Pin	
F601815 .....	19
Door Hinge Strap	
F150209 .....	19
Door Interlock Switch	
F340900 .....	21
Door Kit	
F730307 .....	19
F730540 .....	19
Door Latch Shim	
F602058 .....	21
Door Lock Solenoid	
F300129 .....	21
Drain Hose	
F150437 .....	41
F150442 .....	41
Drain Motor Cover	
F380946 .....	41
Drain Valve	
F380629 .....	41
Drain Valve Motor	
F380933 .....	41
Drip Rail	
F150364 .....	23
Dual Fuseholder	
F0350312-10 .....	11

---

## E

Elbow	
F420500 .....	35, 37, 39
F420502 .....	31, 33, 35
F420509 .....	31, 33, 35, 37, 39
F421104 .....	47
F421703 .....	47
F422319 .....	19
Electrical Access Panel	
F0637549-00 .....	7
F635448 .....	7
Emergency Stop Pushbutton	
F340718 .....	7
EMI Filter	
F330283 .....	11
F330284 .....	11
Extension Arm Assembly	
F604097 .....	21
Extension Arm Tab	
F601639 .....	21
External Supply Box	
F635468 .....	7
External Supply Box Cover	
F635365 .....	7
Extrusion Insert	
F150397 .....	17

---

## F

Feed-thru Connector	
F140575 .....	11
F140576 .....	11
Fill Plumbing Assembly	
F0637637-01 .....	39
F0637637-03 .....	39
F0637640-00 .....	39
F0637640-01 .....	39
F633146-1 .....	35, 37
F633146-5 .....	35, 37
F633419-1 .....	35, 37
F633419-5 .....	35, 37
Filter	
F0270321-00 .....	9
Filter Retainer Guard	
F220900 .....	9
Filter Screen	
F270300 .....	35, 37, 39
Flange Relay	
F330230 .....	9
Flat Ribbon Cable	
F140218 .....	7
F140219 .....	7
F140248 .....	7
Flow Restrictor	
F380106 .....	29
4-Way Valve	
F381723 .....	29, 13
Frame Assembly	
F630821-2 .....	23
F632394 .....	23
F632394-1 .....	23

Frame Weldment	
F630821-1.....	23
Front Bearing Kit	
F798831-00.....	43
Front Panel	
F635668.....	17
Fuse	
F350108.....	9
F350109.....	9
F350110.....	9
F350115.....	11
F350142.....	11
Fuseholder	
F0350313-00.....	11

## G

Gate Valve	
F380500.....	35, 37, 39
Grease Fitting	
F190701.....	43
Ground Terminal Lug	
F140734.....	11

## H

Heating Element	
F360203.....	45
Hose	
F150309.....	41
F200107.....	23, 41
F200110.....	29
F200111.....	37, 39
F200164.....	35, 37
F200166.....	35, 37
F200509.....	35, 37, 39
Hose Adapter	
F421909.....	35, 37, 39
Hose Barb	
F421929.....	23, 41
F421951.....	35, 37, 39
F421964.....	37, 39
Hose Connector	
F200302.....	29

## I

Injection Nozzle	
F380300.....	27
Injection Nozzle Kit	
F730168.....	27
Input Power Block	
F140794-1.....	11
Insulator Bushing	
F140909.....	11
Interface CCA	
F0370446-02.....	9

## J

J-4 Jumper Kit	
F784003.....	9

## K

Key	
F430817.....	43
Keymode Switch	
F340800.....	11

## L

Locknut	
F430215.....	17, 23, 45, 47
F430231.....	7, 9, 21
Lockwasher	
F430305.....	15, 23, 43
F430321.....	23
F431100.....	17, 19, 21, 27
F431106.....	11
F431108.....	7, 11, 21
F431113.....	7, 23
Lower Door Latch Bracket Casting	
F150202.....	21
Lower Door Latch Casting	
F150204.....	21

## M

Magnet	
F340703.....	21
Magnetic Position Switch	
F0340723-00.....	21
Microswitch	
F340906.....	21
Momentary Switch	
F340412.....	7
Motor	
F220237.....	43
F220438.....	43
Motor Bushing	
F280242.....	43
Muffin Fan	
F110110.....	9

## N

Nipple	
F420101.....	35, 37, 39
F420103.....	37, 39
F420104.....	37
F420105.....	31, 33, 35, 37, 39
F420107.....	31, 33, 35, 37, 39
F420708.....	47
F420711.....	47
F420714.....	47
F420715.....	47
F421306.....	31, 33, 35, 37, 39

No-Swivel Coupling	
F422109.....	19
Nut	
F430205.....	15, 23, 43
F430206.....	15
F430211.....	17
F430212.....	23
F430224.....	27
F430264.....	17
F430265.....	11
F431000.....	7, 11
F431005.....	19, 27
F431006.....	11
F431022.....	11, 19, 23
F431026.....	7, 19, 21
F431804.....	17

## O

O-Ring	
F0170221-00.....	33, 39
F170200.....	19
F170208.....	27
F170215.....	27
Overflow Plug	
F150352.....	41

## P

Pin	
F430415.....	17
Pipe	
F602365-14.....	41
F602365-7.....	41
F602365-8.....	41
F602365-9.....	41
F610039.....	41
F610778.....	41
F610824.....	41
Pipe Insulation	
F410300.....	47
Plastic "Y"	
F422816.....	29
Plate	
F230200.....	19
F230218.....	5
Plug	
F0200237-00.....	25
F420408.....	35
F420409.....	47
F603134.....	47
Plug Cap	
F190304.....	27
Program Key	
F370709.....	11
Pulley	
F280181.....	43
F280412.....	43
Pulley Bushing	
F280294.....	43
Push Handle Kit	
F746202-1.....	19
Push Handle Spacer	
F609822.....	21

## R

Rear Bearing Kit	
F745006.....	43
Rear Panel	
F635669.....	17
Reducer Bushing	
F421936.....	45
Repair Kit	
F380965.....	31, 37
Resistor	
F370116.....	11
Ribbon Cable	
F140218.....	9
F140219.....	9
F140248.....	9
Ring Retainer	
F310206.....	19
Rivet	
F431210.....	19, 23, 41
Rub Rail	
F150409.....	17

## S

Screw	
F0430165-00.....	9
F430103.....	19
F430107.....	45
F430109.....	15
F430168.....	21
F430174.....	7
F430502.....	19
F430518.....	23
F430903.....	11
F430904.....	7, 48
F430909.....	21
F430910.....	9, 11, 45
F430913.....	23
F430916.....	21
F430917.....	7, 19, 23, 27
F430921.....	17, 48
F430924.....	23
F430925.....	48
F430928.....	7, 21
F430935.....	47
F430938.....	11, 33, 39, 45
F430939.....	47
F430948.....	29
F430956.....	17, 21, 48
F430993.....	43
F430995.....	11, 21
F430996.....	21, 48
Scupper	
F150389.....	23, 41
Seal	
F0100299-00.....	23
F0170191-00.....	7
F170404.....	7
Seal Kit	
F798827-00.....	23
Sealing Washer	
F431112.....	23
F431116.....	23

Security Bit			
F704897	48		
F704904	48		
F704906	48		
F704907	48		
281P4	48		
Security Screw			
F0430272-00	48		
F0430273-00	48		
F0430274-00	48		
F0430275-00	48		
F430959	48		
F430960	48		
F432259	48		
F432260	48		
Shell Assembly			
F632397-1	45		
F632397-3	45		
F634471	23, 47		
F634471-1	23, 47		
F634495	23, 47		
F634495-1	23, 47		
Shell Band Assembly			
F603910	23		
F603911	23		
Shell Band Fastener Kit			
F791001	23		
Shell Band Gasket			
F170120	23		
Shell Front Assembly			
F604223	19, 23		
Shell Front Kit			
F741303	19, 23		
Shell Gasket Shield			
F601216	23		
Shell Mounting Bracket			
F601806	23		
Shell Reinforcement Plate Kit			
F741600	23, 41		
Shell Weldment			
F0637538-00	25, 47		
F0637538-01	25, 47		
F0637540-00	25, 47		
F0637540-01	25, 47		
F0637656-00	25		
F0637656-01	45		
F0637657-01	25		
F0637657-03	45		
F0637671-00	25, 45		
F0637671-01	45		
F630760-1	45		
Side Panel			
F635670	17		
F635671	17		
Side Panel Bracket			
F601982	17		
Side Panel Cover			
F607262	17		
Slinger			
F100204	23		
Spacer			
F0150525-00	27		
Spray Plumbing Assembly			
F0637638-01	33		
F0637638-03	33		
F633151-1	31		
F633151-5	31		
Spray Rinse Bracket Assembly			
F602901	19, 23		
Spray Rinse Hose Kit			
F730024	19		
Spray Rinse Nozzle Kit			
F730077	19		
Spray Rinse Strap			
F602880	23		
F603696-5	19		
Spray Rinse Tube Assembly			
F603696-6	19		
Standoff			
F180506	9		
Steam Bracket Weldment			
F635634	47		
Steam Filter			
F270307	47		
Steam Hose			
F200153	47		
Steam Injection Tube Assembly			
F603131	47		
Steam Plumbing Assembly			
F635653	47		
F635653-3	47		
Steam Valve			
F380787	47		
Strain Relief Adapter Kit			
F749802	27		
Strain Relief Connector			
F140340	27		
Strainer			
F270200	29		
Street Elbow			
F420500	37, 39		
F420502	37, 39		
F421103	47		
Supply Hose Strap			
F605324	17		
Switch			
F340900	15		
F340921	15		
Switch Extension			
F340924	15		
Swivel Coupling			
F422108	19		
<hr/>			
<b>T</b>			
Tag			
F230501	5		
Tee			
F420400	35		
F420402	37, 39		
F422801	41		
F422803	41		
Temperature Probe			
F370606	15, 45		
Terminal Block			
F140770	45		
F140782	11		
Tie			
F140605	7		
F140606	7		

Top Latch Bracket Casting	
F150201 .....	21
Transformer	
F360140 .....	47
F360157 .....	47
Transformer Adapter Plate	
F631276 .....	47
Trim	
F170400 .....	17, 27
Tubing	
F200190 .....	43
F422404 .....	13

WE-6 Microcomputer	
F0370534-30 .....	7
F370534-10 .....	7
WE-6 Output Board	
F0370454-10 .....	9

---

## U

U-Bolt Clamp	
F200401 .....	31, 33, 35, 37, 39, 47

---

## V

Vacuum Breaker	
F380117 .....	41
Vacuum Breaker Assembly	
F0637547-00 .....	39
F380800 .....	31, 33
Vacuum Breaker Cap	
F0380808-00 .....	33, 39
Vacuum Breaker Leak Containment Kit	
F0798922-00 .....	33, 39
Vacuum Breaker Valve	
F380800 .....	35, 37
Valve	
F381701 .....	35, 37, 39
F381703 .....	31, 33, 37, 39
Valve Repair Kit	
F380965 .....	35
F380991 .....	31, 33, 37, 39
F380993 .....	37, 39

---

## W

Washer	
F430300 .....	43
F430301 .....	15, 23, 43
F430311 .....	45
F430317 .....	17, 23
F430332 .....	43
F431123 .....	7
F431125 .....	7, 21
F431133 .....	27
F431142 .....	21
F431147 .....	27
20290 .....	35, 37, 39
Water Hose	
F200164 .....	39
F200166 .....	39
Water Level Switch	
F0340346-10 .....	13
WE-6 Keypad	
F230724 .....	7