

Drying Tumblers

150 Pound Capacity

Refer to Page 3 for Model Numbers

Parts



Table of Contents

| Title | Page |
|---|------|
| Parts Ordering Information | 2 |
| Serial Plate Location | 2 |
| Model Identification | 3 |
| Single Timer Control | 4 |
| Dual Timer Controls | 6 |
| Temperature Controls | 8 |
| Access and Lint Panels | 10 |
| Front Panels | 12 |
| Loading Door | 14 |
| Lint Screen and Frame | 16 |
| Drive Guard Components | 18 |
| Drive Sheave, Step Pulley and Belts | 20 |
| Trunnion Bearings | 22 |
| Cylinder and Trunnion Assembly | 24 |
| Cylinder Drive Motor | 26 |
| Fan and Motor | 28 |
| Exhaust System Components | 30 |
| Control Thermostats | 32 |
| Gas Burner and Controls | 34 |
| Steam Heating Unit | 36 |
| Airflow Switch | 38 |
| Reversing Controls | 40 |
| Burner Orifices | 42 |
| Parts Index | 43 |

© Copyright 2001, Alliance Laundry Systems LLC

All rights reserved. No part of the contents of this book may be reproduced or transmitted in any form or by any means without the expressed written consent of the publisher.

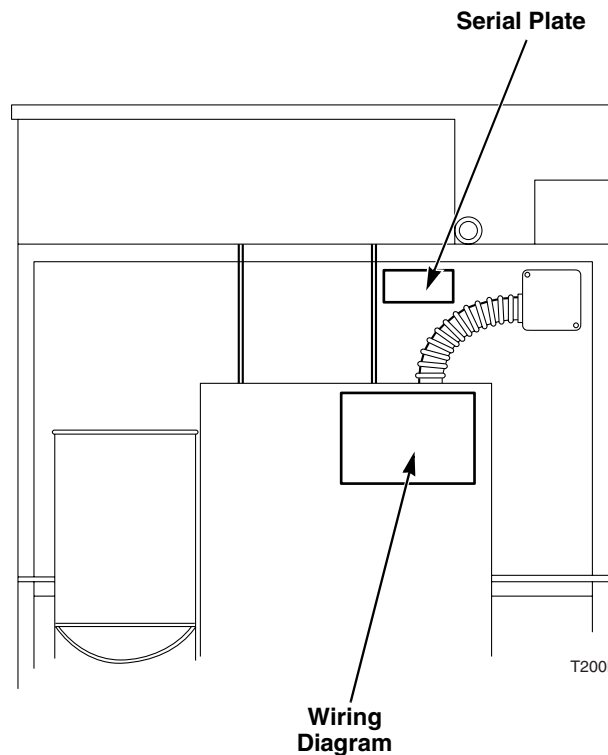
Parts Ordering Information

If literature or replacement parts are required, contact the source from whom the machine was purchased or contact Alliance Laundry Systems at (920) 748-3950 for the name and address of the nearest authorized parts distributor.

For technical assistance, call (920) 748-3121.

Serial Plate Location

When calling or writing about your product, be sure to mention model and serial numbers. Model and serial numbers are located on serial plate as shown.



Model Identification

Information in this manual is applicable to these tumblers†:

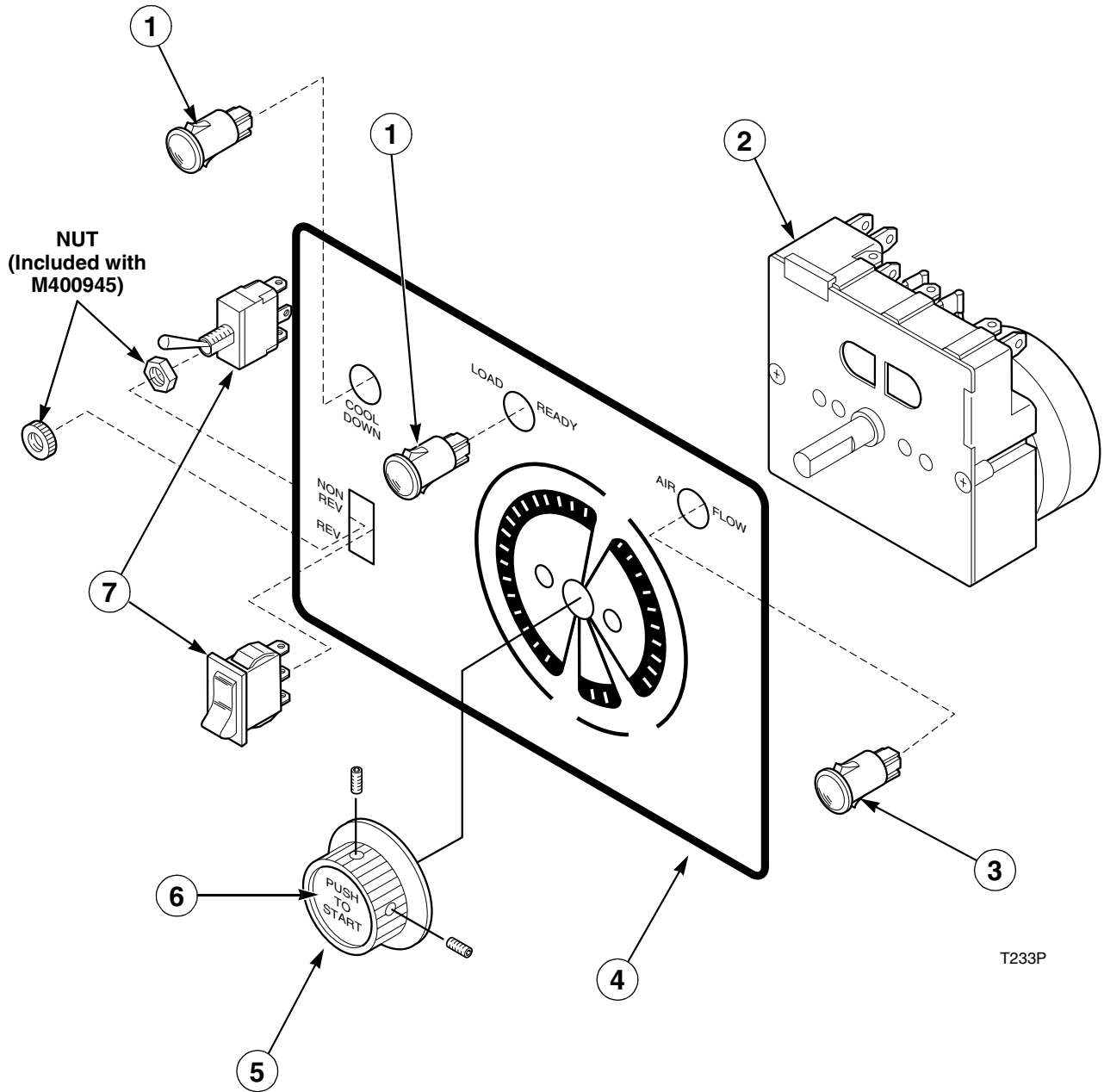
| Gas | Steam |
|------------|--------------|
| JT150CG | JT150CSH |
| ST150CG | ST150CSH |

†Includes models with control suffix:

MT - manual timer

Single Timer Control

Models JT150CG, JT150CSH, ST150CG and ST150CSH



Single Timer Control

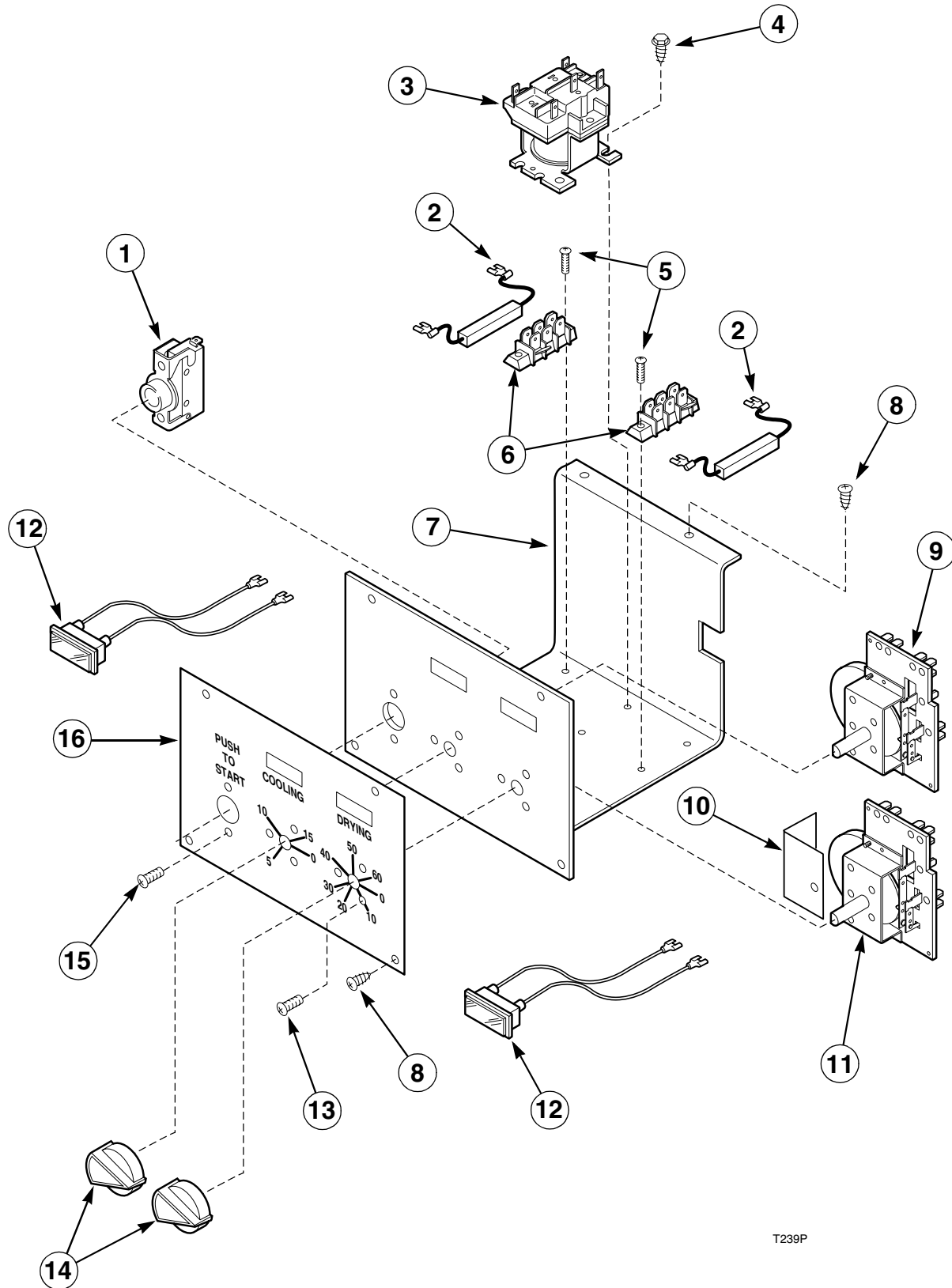
Models JT150CG, JT150CSH, ST150CG and ST150CSH

| REF | PART # | DESCRIPTION | COMMENTS |
|-----|-----------|---------------------|--------------------|
| 1 | N/A | Light | Cool-down or ready |
| 2 | N/A | Three Cycle Timer | 50 Hertz |
| | H96402318 | Three Cycle Timer | 60 Hertz |
| 3 | N/A | Light | Airflow |
| 4 | N/A | Timer Label | Silver |
| | N/A | Timer Label | Black |
| 5 | H83901157 | Timer Knob | |
| 6 | N/A | Push-to-Start Label | |
| 7 | M400945 | Reversing Switch | Toggle |
| | M413270 | Reversing Switch | Rocker |

N/A = Part no longer available

Dual Timer Controls

Models JTD150CG, JTD150CSH, STD150CG and STD150CSH



T239P

Dual Timer Controls

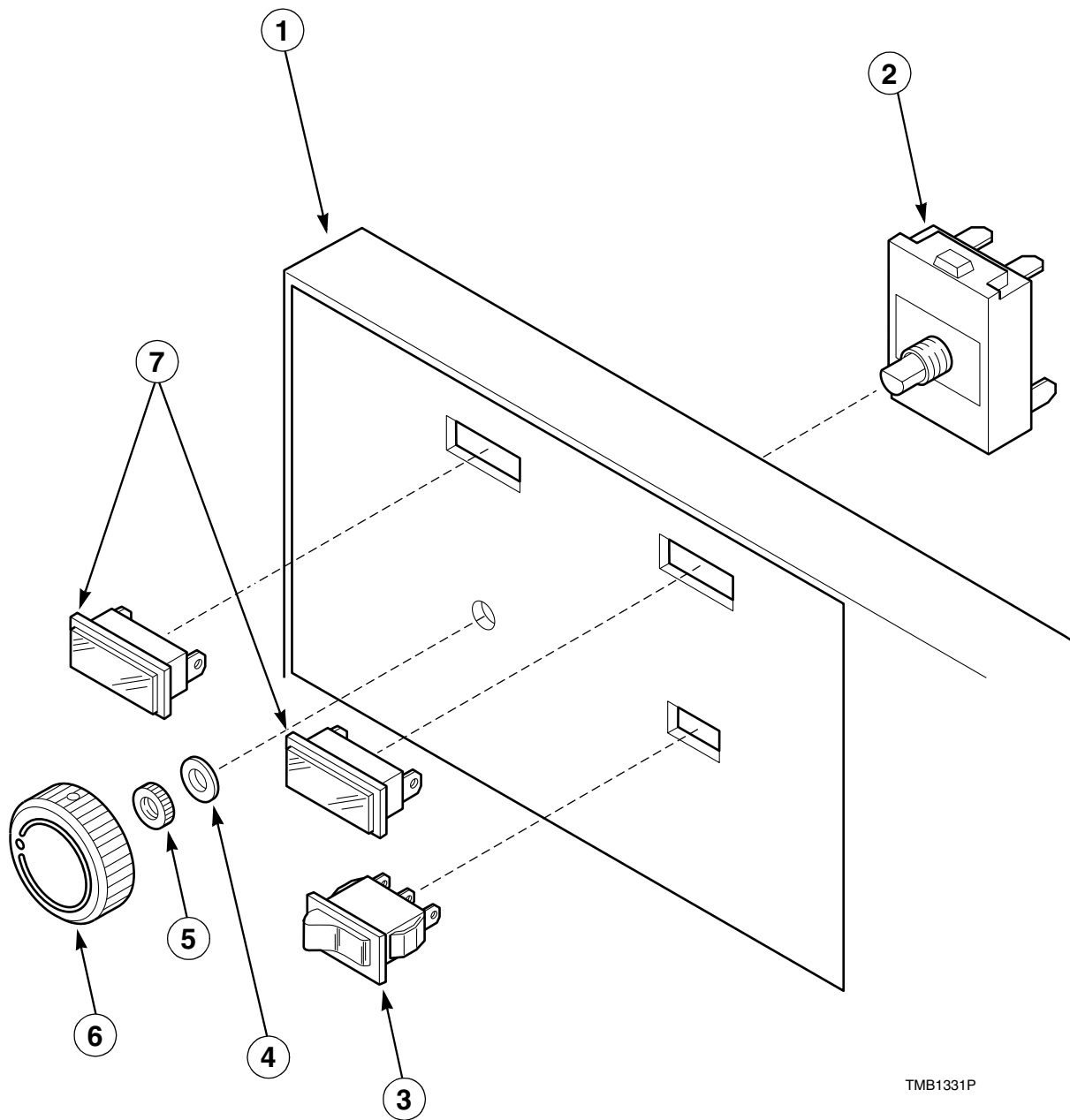
Models JTD150CG, JTD150CSH, STD150CG and STD150CSH

| REF | PART # | DESCRIPTION | COMMENTS |
|-----|----------|----------------------|---|
| 1 | M400954 | Push-to-Start Switch | |
| 2 | M410992 | Resistor | Used with 60 Hertz only |
| 3 | M400908 | Relay | |
| 4 | 51780 | Screw | |
| 5 | M400071 | Screw | |
| 6 | N/A | Terminal Bracket | |
| 7 | M410274 | Timer Bracket | |
| 8 | M400664 | Screw | |
| 9 | M410902P | Cooling Timer | 50 Hertz |
| | M410900P | Cooling Timer | 60 Hertz |
| 10 | M406144 | Insulator | |
| 11 | M410903P | Drying Timer | 50 Hertz |
| | M410901P | Drying Timer | 60 Hertz |
| 12 | M400704 | Light | |
| 13 | M411052 | Screw | |
| 14 | M400773 | Timer Knob | Black with silver dot |
| | M410927 | Timer Knob | Black with white dot; Models JTD150CG and JTD150CSH |
| 15 | M400072 | Screw | |
| 16 | M410266 | Timer Graphics Plate | Silver |
| | M410869 | Timer Graphics Plate | Black; Models JTD150CG and JTD150CSH |
| | M410264 | Timer Graphics Plate | Black; Models STD150CG and STD150CSH |

N/A = Part no longer available

Temperature Controls

Models STD150CG, STD150CSH, JTD150CG and JTD150CSH



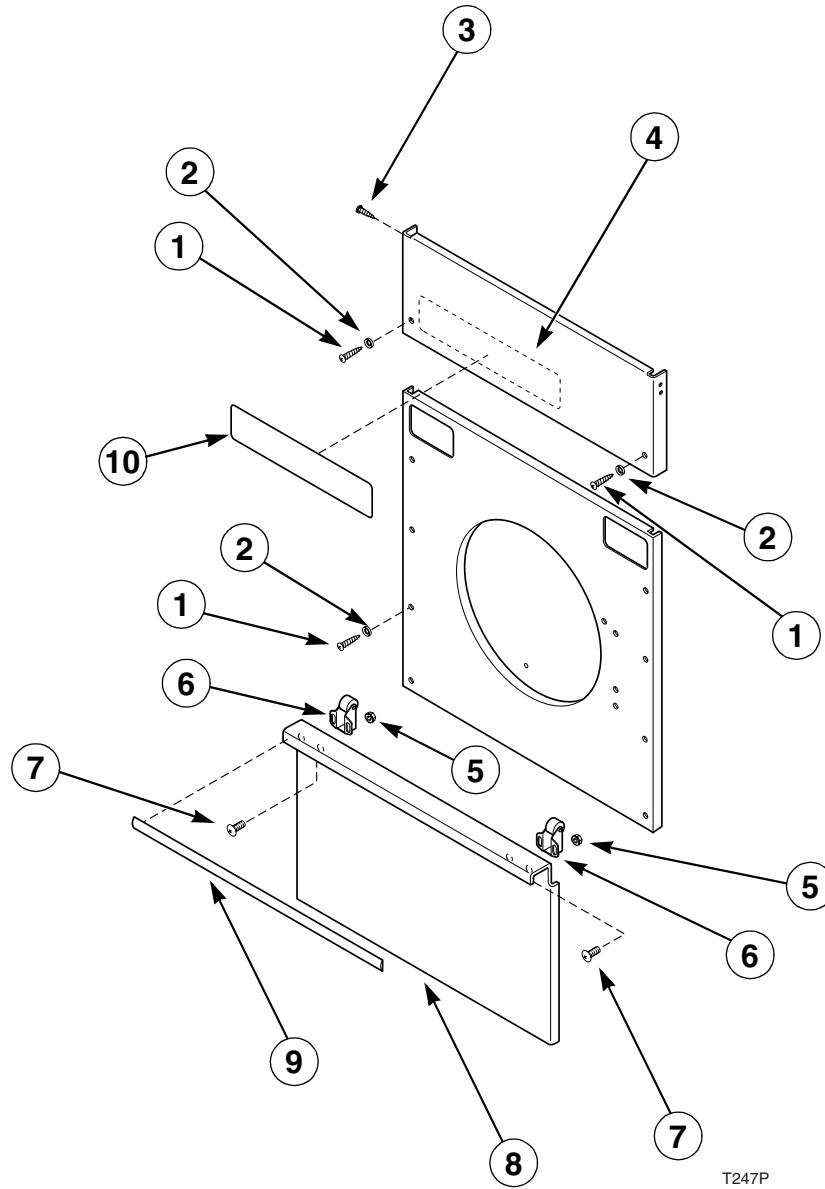
TMB1331P

Temperature Controls

Models STD150CG, STD150CSH, JTD150CG and JTD150CSH

| REF | PART # | DESCRIPTION | COMMENTS |
|-----|---------|-------------------------------|-------------------------------|
| 1 | M410265 | Graphic Plate | |
| 2 | 27762 | Temperature Switch | |
| 3 | M413270 | Reversing/Nonreversing Switch | |
| 4 | 91176 | Lockwasher | |
| 5 | 24205 | Knurled Nut | |
| 6 | M400777 | Temperature Knob | |
| | M410929 | Temperature Knob | Models JTD150CG and JTD150CSH |
| 7 | M400704 | Light | |

Access and Lint Panels



T247P

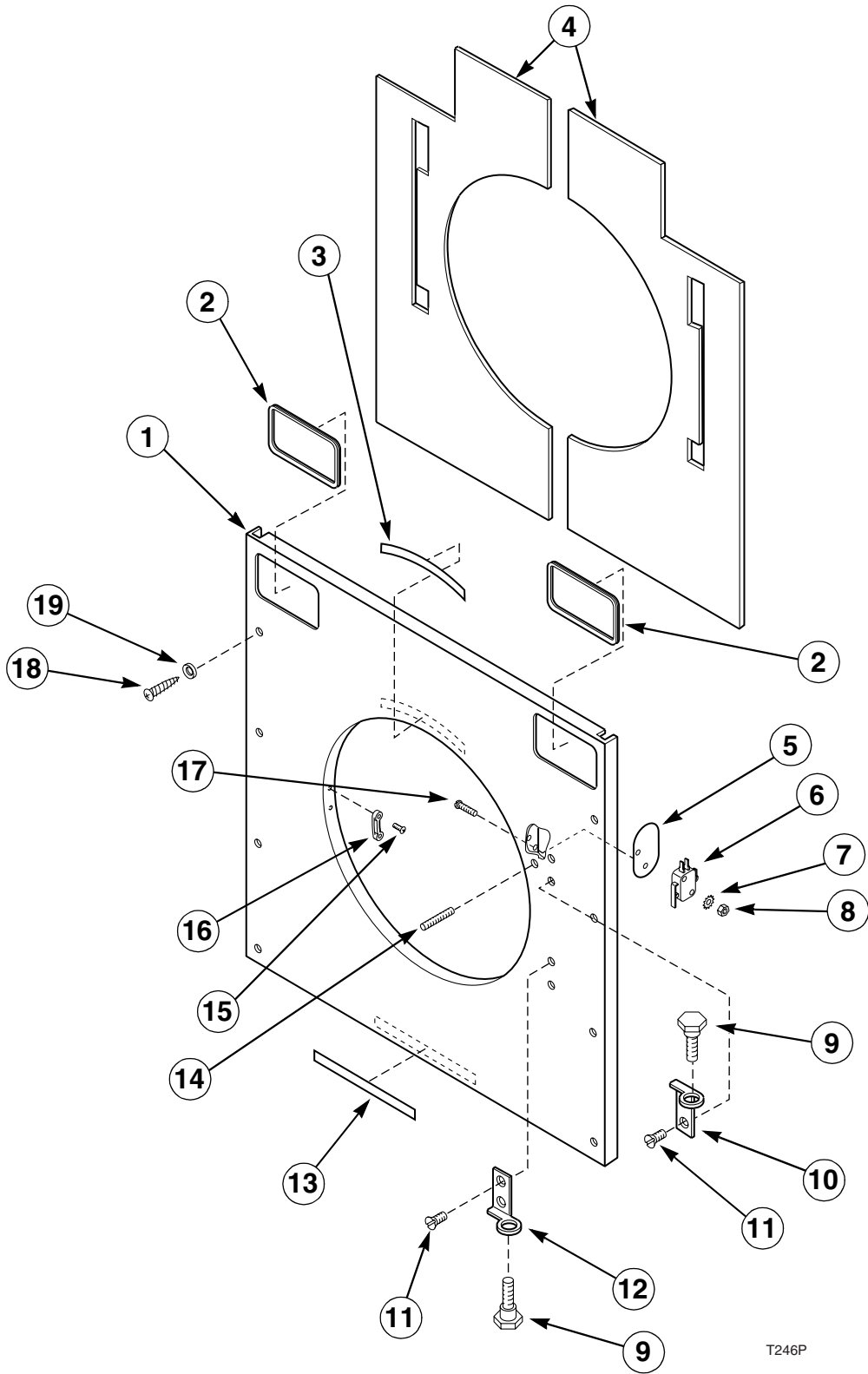
Access and Lint Panels

| REF | PART # | DESCRIPTION | COMMENTS |
|-----|------------|------------------|----------------------------------|
| 1 | H88213707 | Screw | |
| 2 | H88569108 | Nylon Washer | |
| 3 | M401902 | Screw | |
| 4 | H96368626* | Top Access Panel | |
| 5 | 23951 | Nut | |
| 6 | H87020202 | Roller Catch | |
| 7 | M400044 | Screw | |
| 8 | N/A | Lint Panel | |
| 9 | H81224511P | Rubber Trim | |
| 10 | N/A | Nameplate | Cocoa; Models beginning with JT |
| | N/A | Nameplate | Silver; Models beginning with JT |
| | M410355 | Nameplate | Models beginning with ST |

* Add letter to designate color: **L - Almond** **W - White** **V - Orange** **K - Red**
 B - Battina Green **H - Harvest Gold** **X - Electric Blue** **P - Turquoise**

N/A = Part no longer available

Front Panels



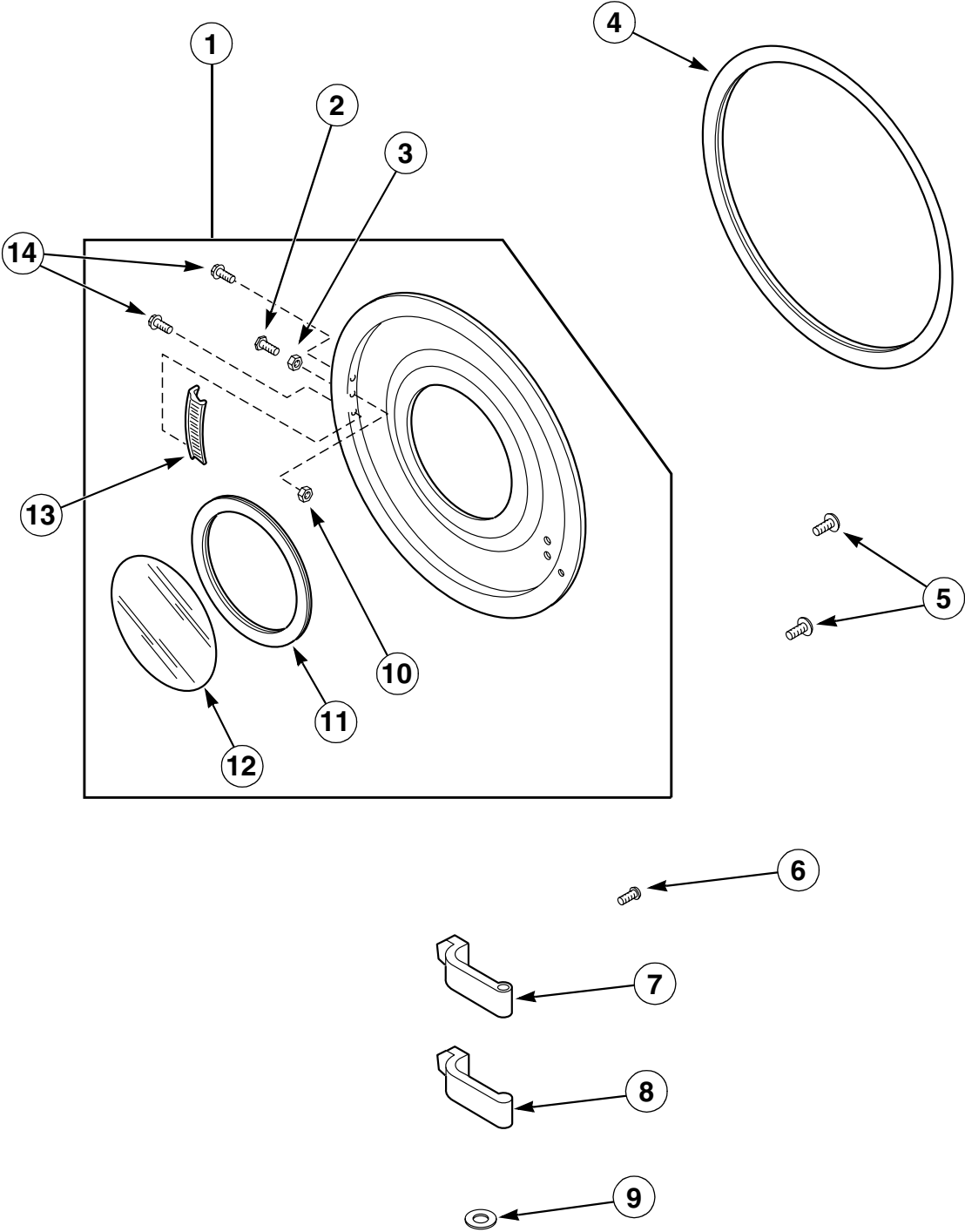
Front Panels

| REF | PART # | DESCRIPTION | COMMENTS |
|-----|-----------|-------------------|------------------------------------|
| | N/A | Wire Set | For door switch |
| 1 | M410270* | Front Panel | Dual timer models; Painted |
| | N/A | Front Panel | Single timer models; Painted |
| | M410271 | Front Panel | Dual timer models; Stainless Steel |
| 2 | M410291 | Control Trim | |
| 3 | M410892 | Warning Label | |
| 4 | N/A | Insulation | |
| 5 | H96418728 | Insulator | |
| 6 | H96422241 | Door Switch | |
| 7 | 51345 | Lockwasher | |
| 8 | 70072901 | Nut | |
| 9 | M410029 | Hinge Pin | |
| 10 | M410041 | Upper Panel Hinge | |
| 11 | H88129788 | Screw | |
| 12 | M410042P | Lower Panel Hinge | |
| 13 | M409312 | Warning Label | |
| 14 | M409976 | Actuator Screw | |
| 15 | M400072 | Screw | |
| 16 | M401223 | Door Latch | |
| 17 | H88110267 | Screw | |
| 18 | H88213707 | Screw | |
| 19 | H88569108 | Nylon Washer | |

* Add letter to designate color: L - Almond W - White V - Orange K - Red
 B - Battina Green H - Harvest Gold X - Electric Blue P - Turquoise

N/A = Part no longer available

Loading Door



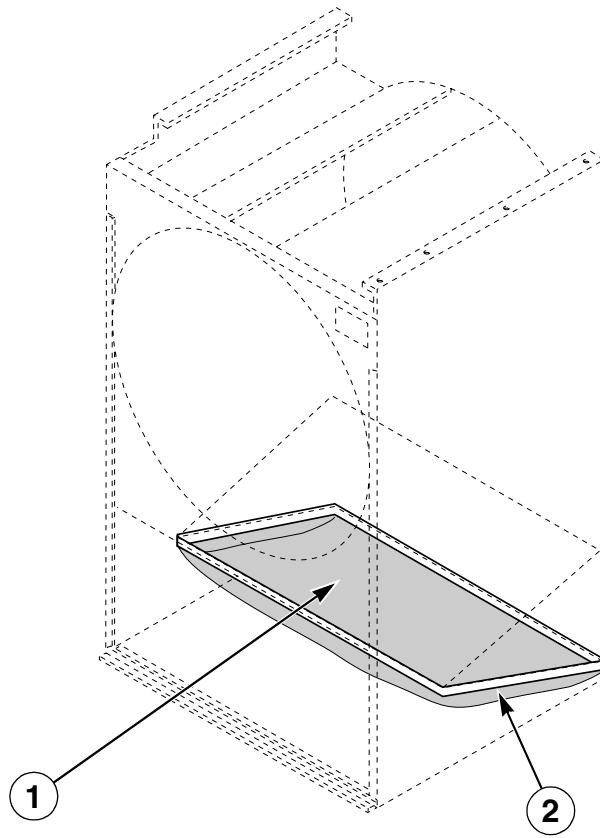
TMB1340P

Loading Door

| REF | PART # | DESCRIPTION | COMMENTS |
|-----|-----------|-------------------------|---|
| 1 | M410289* | Door Assembly | Painted; Does not include Items 4, 5, 6, 7, 8 and 9 |
| 2 | M400661 | Door Strike Screw | |
| 3 | Q6163 | Nut | |
| 4 | H96409156 | Door Gasket | |
| 5 | H88129648 | Hinge Mounting Screw | |
| 6 | M400044 | Hinge Mounting Screw | |
| 7 | M410030 | Upper Door Hinge | Models beginning with JT |
| | M410701 | Upper Door Hinge | Models beginning with ST |
| 8 | M410031 | Lower Door Hinge | Models beginning with JT |
| | M410702 | Lower Door Hinge | Models beginning with ST |
| 9 | M400671 | Nylon Washer | |
| 10 | 70054 | Nut | |
| 11 | M409900 | Door Glass Seal | |
| 12 | M409899P | Door Glass and Seal Kit | Includes item 11 |
| 13 | M400133 | Door Handle | |
| 14 | M409385 | Screw | |

* Add letter to designate color: **L - Almond** **W - White** **V - Orange** **K - Red**
 B - Battina Green **H - Harvest Gold** **X - Electric Blue** **P - Turquoise**

Lint Screen and Frame

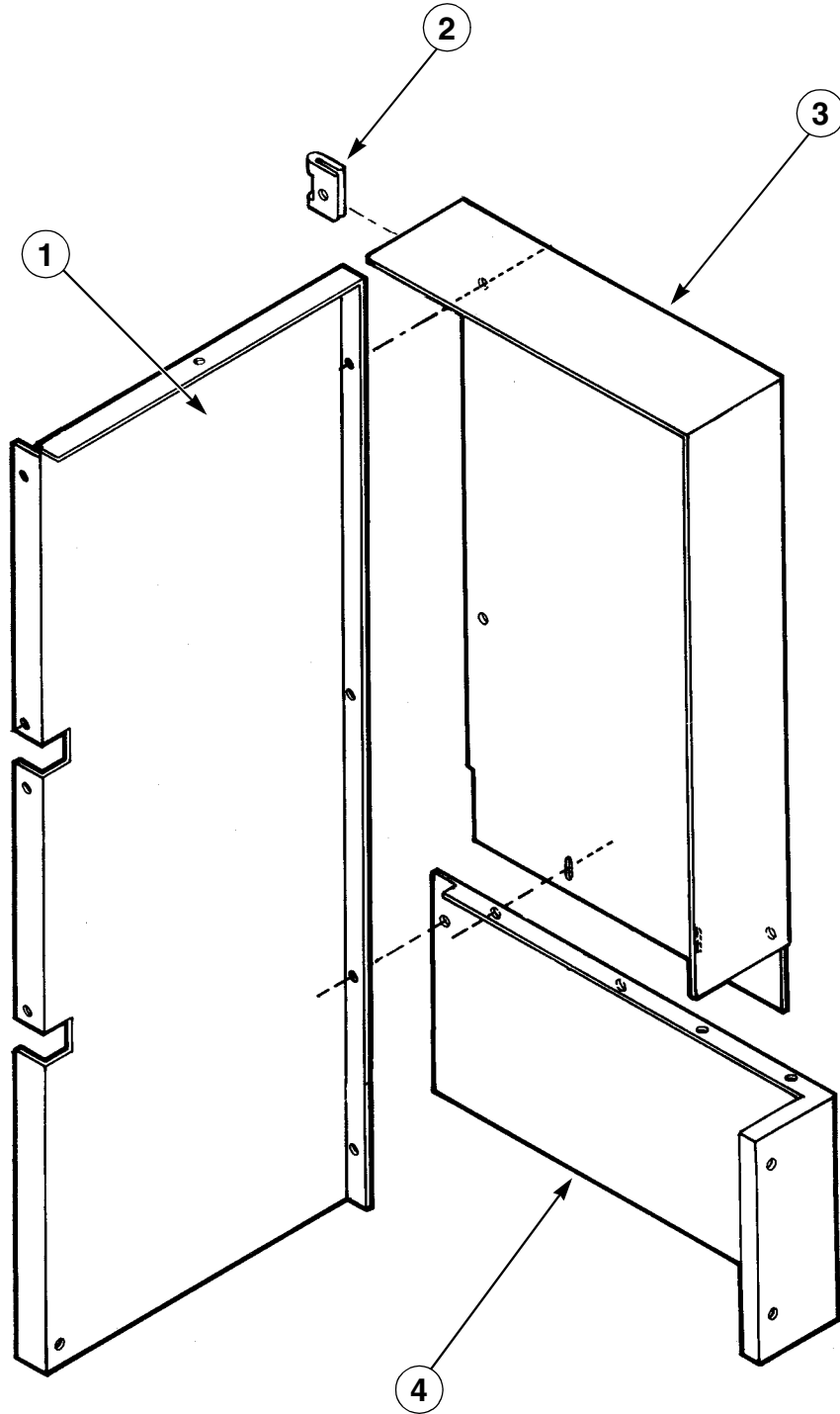


TMB1332P

Lint Screen and Frame

| REF | PART # | DESCRIPTION | COMMENTS |
|-----|------------|-------------------|----------|
| 1 | H96367016P | Lint Screen | |
| 2 | H96362025 | Lint Screen Frame | |

Drive Guard Components

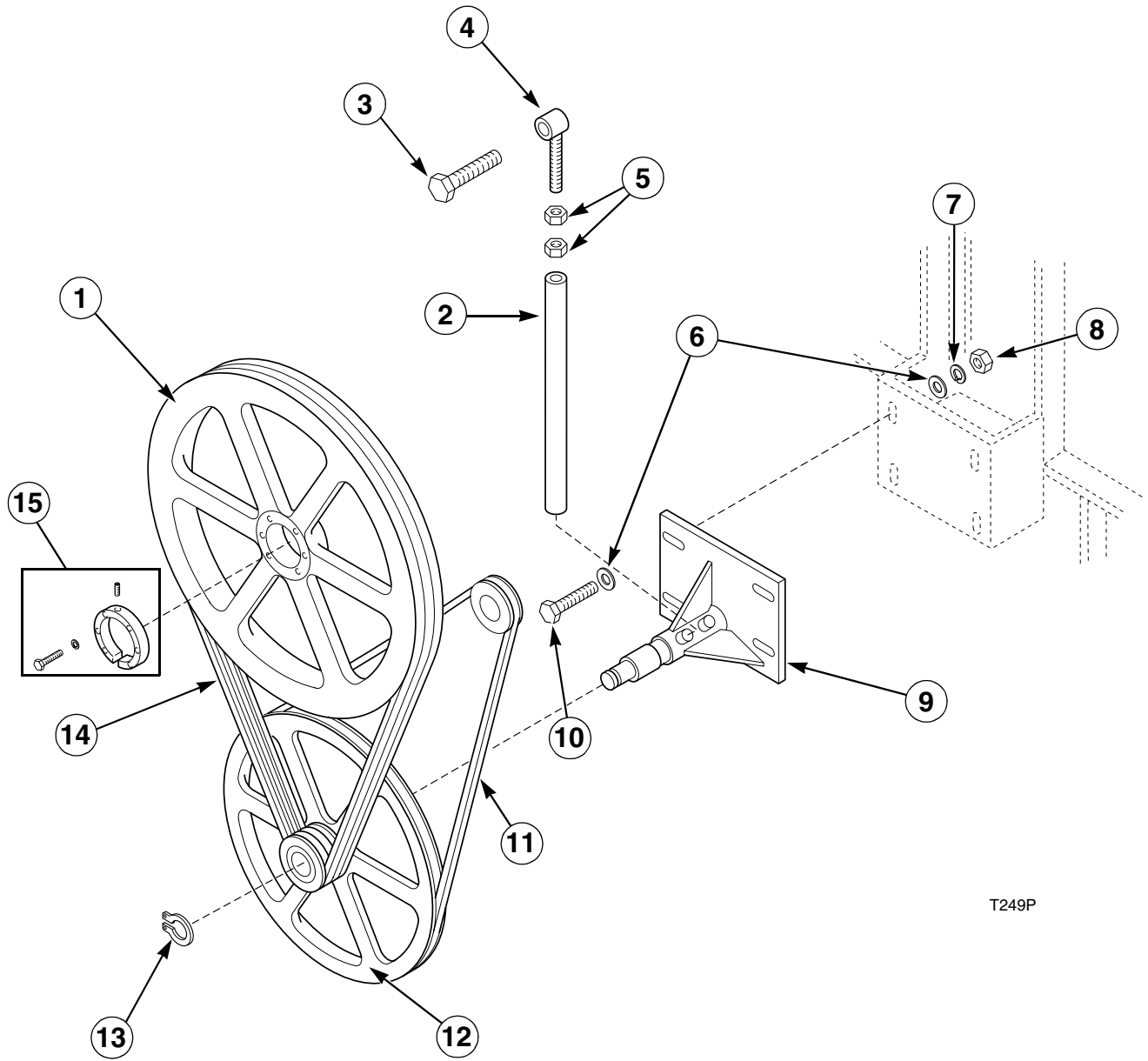


T167P

Drive Guard Components

| REF | PART # | DESCRIPTION | COMMENTS |
|-----|-----------|------------------------|----------|
| 1 | H96368725 | Belt Guard Side | |
| 2 | H8841927H | Speed Nut | |
| 3 | H96367669 | Upper Belt Guard Cover | |
| 4 | H96368733 | Lower Belt Guard Cover | |

Drive Sheave, Step Pulley and Belts

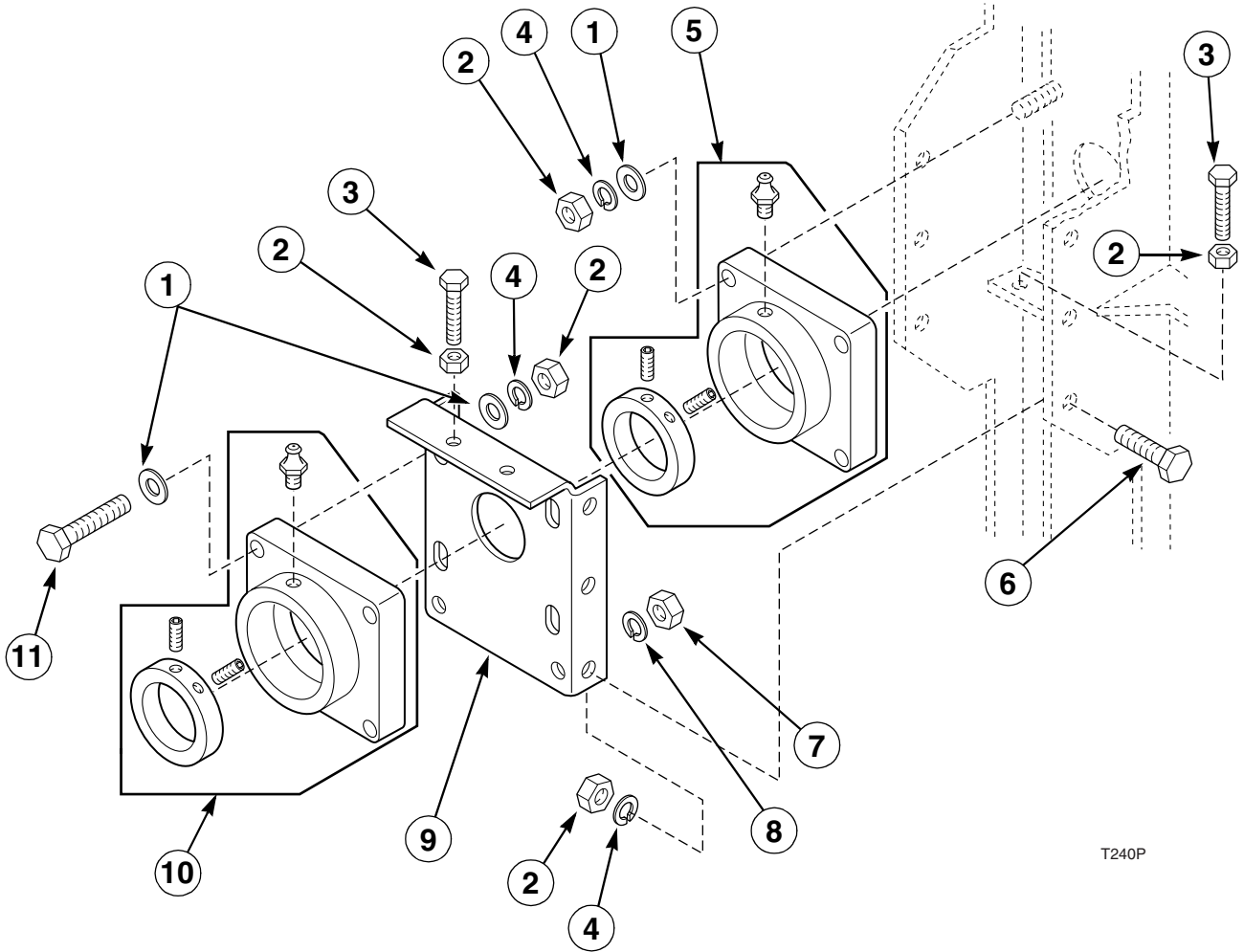


T249P

Drive Sheave, Step Pulley and Belts

| REF | PART # | DESCRIPTION | COMMENTS |
|-----|------------|-------------------------|------------|
| | H88603477 | Retainer Ring | 2 required |
| | M4718P3 | Step Pulley Bearing Kit | Outer |
| | H87672374 | Step Pulley Bearing | Inner |
| 1 | H8752251H | Sheave | |
| 2 | H96428487 | Tube | |
| 3 | H88001565 | Bolt | |
| 4 | M411337 | Eye Bolt | |
| 5 | M404993 | Nut | |
| 6 | M400080 | Washer | |
| 7 | M400014 | Lockwasher | |
| 8 | 20274 | Nut | |
| 9 | H96357751 | Jackshaft Assembly | |
| 10 | M400043 | Screw | |
| 11 | H87533014 | Belt | |
| 12 | H96428024 | Step Pulley | |
| 13 | H88602263 | Retainer Ring | |
| 14 | H87533816P | Belt | Set of 3 |
| 15 | H8752985H | Bushing | |

Trunnion Bearings

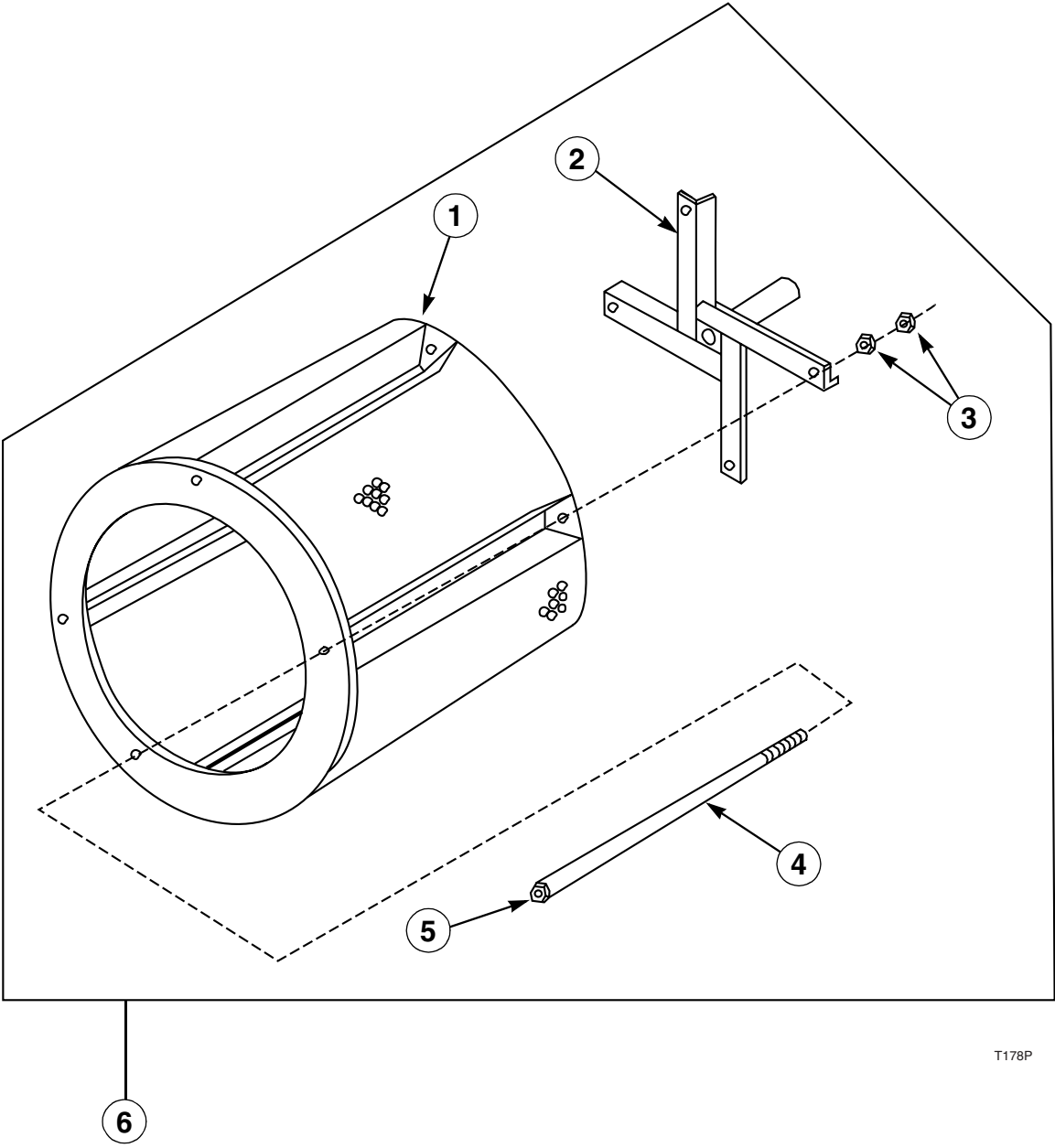


T240P

Trunnion Bearings

| REF | PART # | DESCRIPTION | COMMENTS |
|-----|-----------|------------------|----------|
| 1 | M400081 | Washer | |
| 2 | 20274 | Nut | |
| 3 | H88213996 | Screw | |
| 4 | M400014 | Lockwasher | |
| 5 | H87625430 | Trunnion Bearing | |
| 6 | H88111703 | Screw | |
| 7 | H88412093 | Nut | |
| 8 | H88511118 | Lockwasher | |
| 9 | H96428008 | Mounting Bracket | |
| 10 | H87625430 | Trunnion Bearing | |
| 11 | 22688 | Screw | |

Cylinder and Trunnion Assembly

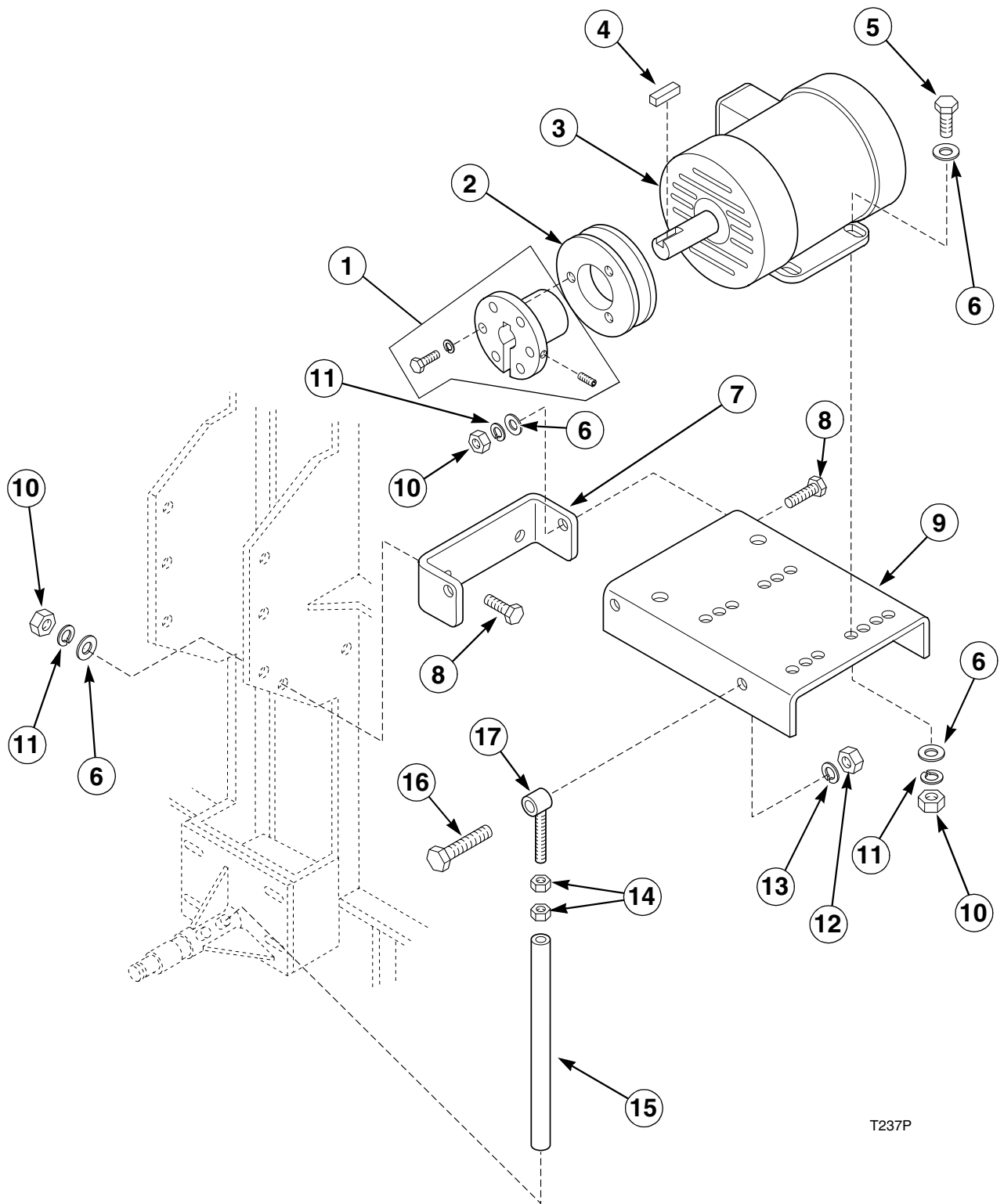


T178P

Cylinder and Trunnion Assembly

| REF | PART # | DESCRIPTION | COMMENTS |
|-----|-----------|--------------------------------|----------------------------------|
| 1 | H96367545 | Cylinder | Galvanized |
| | M409826 | Cylinder | Stainless Steel |
| 2 | H96367537 | Trunnion Assembly | |
| 3 | M404993 | Nut | |
| 4 | H8830143H | Rib Rod | |
| 5 | M412334 | Nut | |
| 6 | H96360003 | Cylinder and Trunnion Assembly | Galvanized; Includes item 2 |
| | M409827 | Cylinder and Trunnion Assembly | Stainless Steel; Includes item 2 |

Cylinder Drive Motor

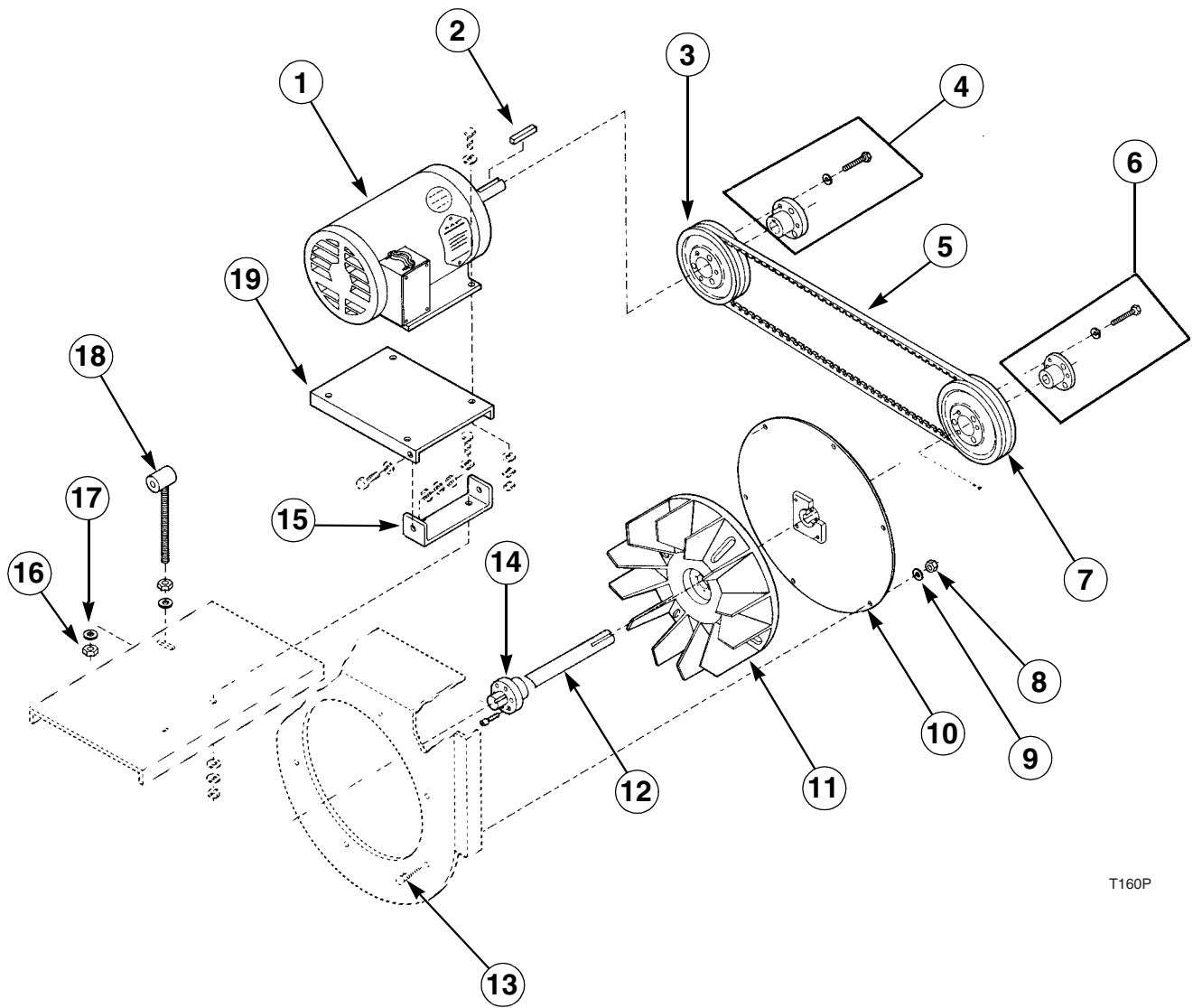


T237P

Cylinder Drive Motor

| REF | PART # | DESCRIPTION | COMMENTS |
|-----|------------|----------------------|-------------------------------------|
| 1 | H87529111 | Taper Bushing | |
| 2 | H87520334 | Drive Sheave | 60 Hertz |
| | H8752026H | Drive Sheave | 50 Hertz |
| 3 | H8371044H | Cylinder Drive Motor | 208-240-480 Volt, 60 Hertz, 3 Phase |
| | H8371047HP | Cylinder Drive Motor | 220-380-415 Volt, 50 Hertz, 3 Phase |
| 4 | H8752006H | Key | |
| 5 | M400043 | Screw | |
| 6 | M400080 | Washer | |
| 7 | H96428693 | Bracket | |
| 8 | 22688 | Screw | |
| 9 | M413171 | Motor Base | |
| 10 | 20274 | Nut | |
| 11 | M400014 | Lockwasher | |
| 12 | H88412093 | Nut | |
| 13 | H88511118 | Lockwasher | |
| 14 | M404993 | Nut | |
| 15 | H96428479 | Tube | |
| 16 | H88001565 | Screw | |
| 17 | M411337 | Eye Bolt | |

Fan and Motor

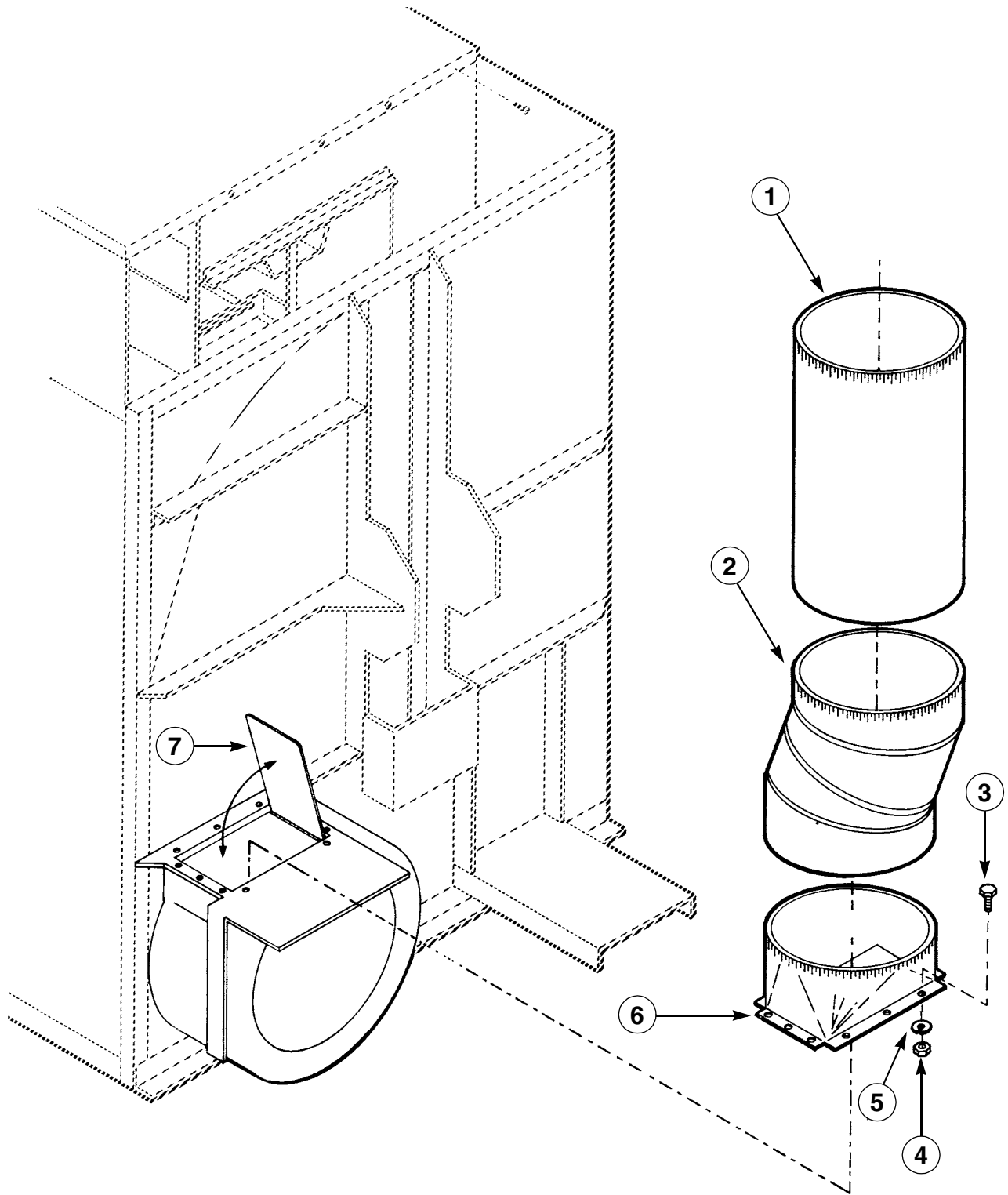


T160P

Fan and Motor

| REF | PART # | DESCRIPTION | COMMENTS |
|-----|-----------|----------------------------|--|
| | 22688 | Screw | Motor and bracket mounting hardware, 10 required |
| | M400080 | Washer | Motor and bracket mounting hardware, 20 required |
| | M400014 | Lockwasher | Motor and bracket mounting hardware, 10 required |
| | 20274 | Nut | Motor and bracket mounting hardware, 10 required |
| 1 | H8372022H | Blower Motor | 208-230-460 Volt, 60 Hertz, 3 Phase |
| | H8372021H | Blower Motor | 220-380-440 Volt, 50 Hertz, 3 Phase |
| 2 | H8752006H | Key | |
| 3 | H8752065H | Motor Sheave | 50 Hertz |
| | H8752060H | Motor Sheave | 60 Hertz |
| 4 | H8752931H | Bushing | |
| 5 | H87532685 | Belt | |
| 6 | H8752922H | Bushing | |
| 7 | H8752060H | Blower Sheave | 50 Hertz |
| | H8752065H | Blower Sheave | 60 Hertz |
| 8 | 70142 | Nut | 8 required |
| 9 | M400013 | Lockwasher | 8 required |
| 10 | H96368857 | Blower Cover | |
| 11 | H96368469 | Blower Fan | |
| 12 | M4680P3 | Fan Bearing Conversion Kit | Includes item 10 |
| 13 | M400056 | Screw | 8 required |
| 14 | M412917 | Bushing | |
| 15 | H96428693 | Bracket | |
| 16 | M404993 | Nut | 2 required |
| 17 | Q6712 | Washer | 2 required |
| 18 | M411337 | Eye Bolt | |
| 19 | M413171 | Motor Base | |

Exhaust System Components



T165P

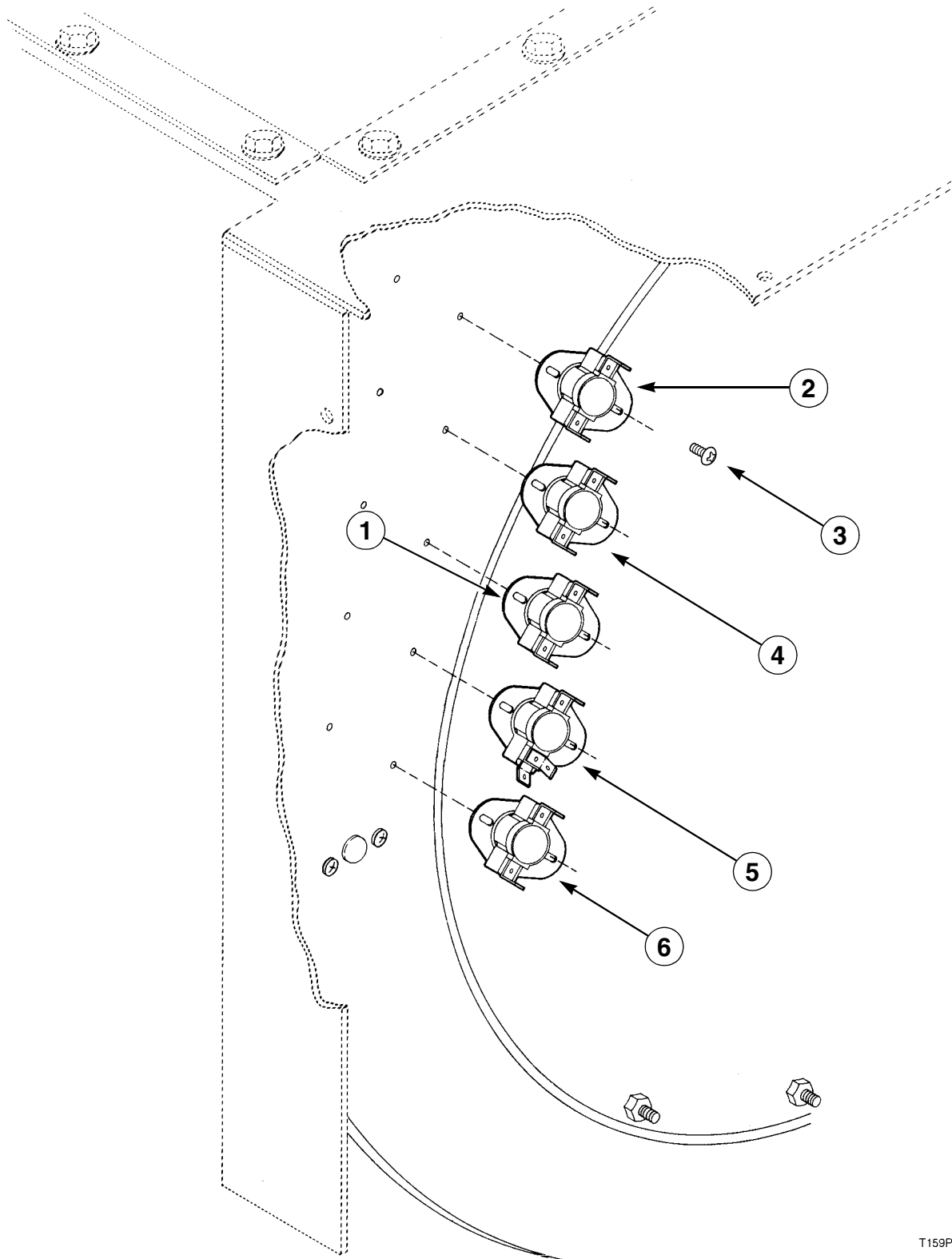
Exhaust System Components

| REF | PART # | DESCRIPTION | COMMENTS |
|-----|-----------|-----------------|----------|
| 1 | N/A | Vent Pipe | |
| 2 | N/A | Elbow | |
| 3 | H88010038 | Screw | |
| 4 | 20275 | Nut | |
| 5 | 03189 | Lockwasher | |
| 6 | N/A | Duct Transition | |
| 7 | N/A | Damper | |

N/A = Part no longer available

Control Thermostats

Located in Blower Housing



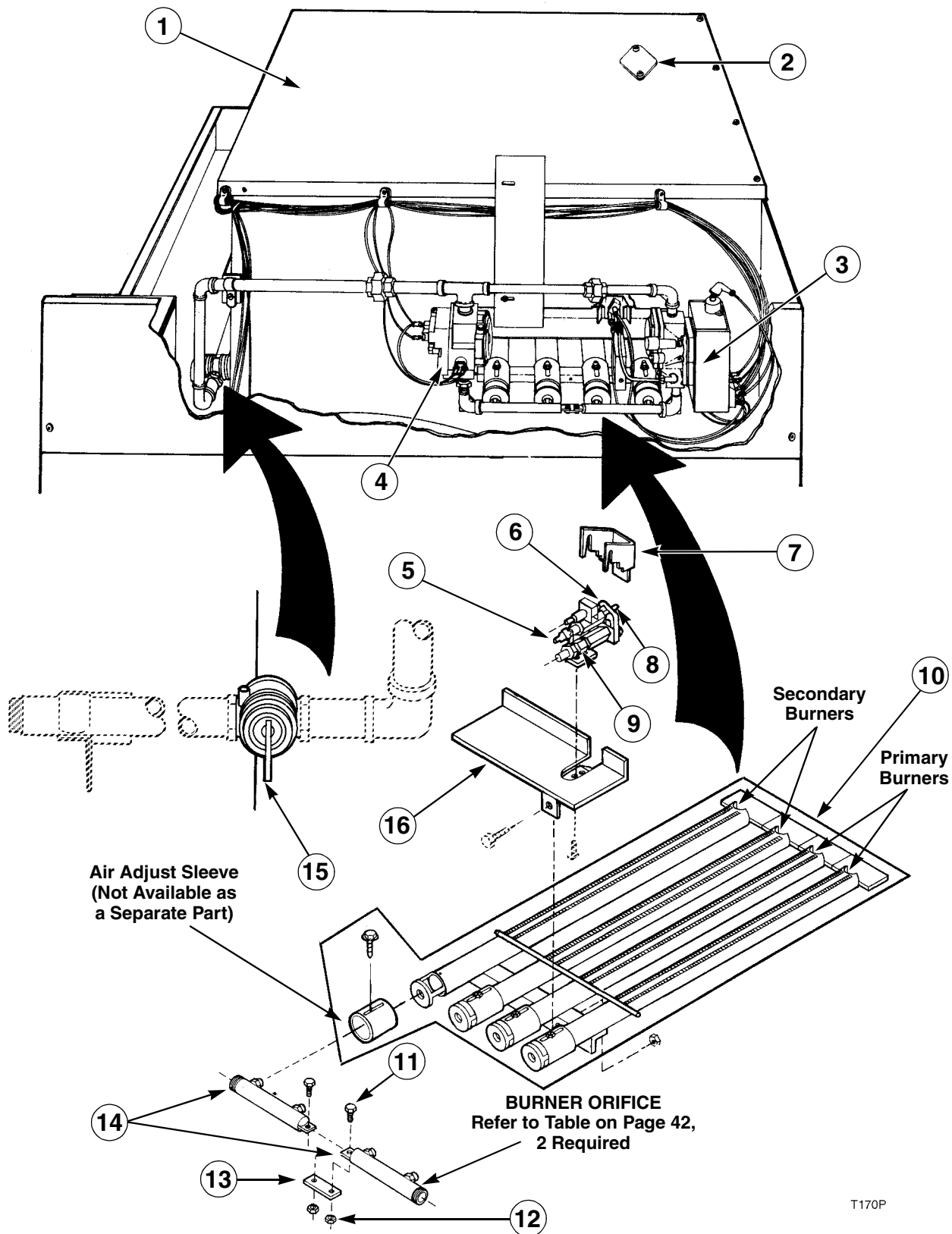
T159P

Control Thermostats

Located in Blower Housing

| REF | PART # | DESCRIPTION | COMMENTS |
|-----|-----------|-------------------------------|------------------------|
| 1 | H89005235 | Medium Thermostat | |
| 2 | H8900531H | High Thermostat | |
| 3 | H88214515 | Screw | |
| 4 | H89005227 | Cabinet High Limit Thermostat | Auto reset; 60 Hertz |
| | H8900533H | Cabinet High Limit Thermostat | Manual reset; 50 Hertz |
| 5 | H89005243 | Low Thermostat | |
| 6 | H8900530H | Load Ready Thermostat | |

Gas Burner and Controls



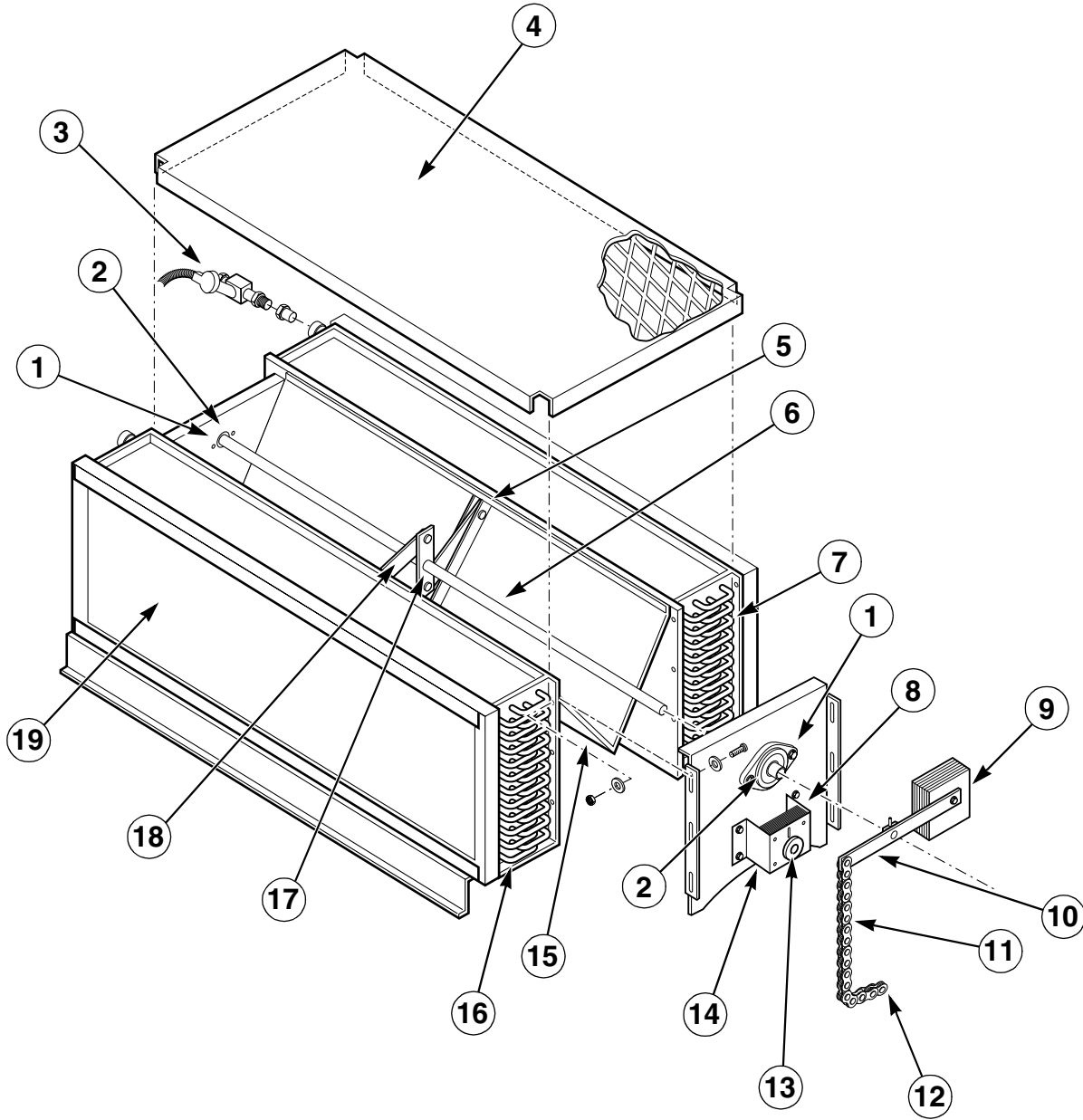
T170P

Gas Burner and Controls

| REF | PART # | DESCRIPTION | COMMENTS |
|-----|-----------|--|---|
| | N/A | Conversion Kit | Used to convert valve H8526918H for use with L.P. (Liquefied Petroleum) Gas |
| | M400763 | Conversion Kit | Used to convert valve M411413 for use with L.P. Gas |
| 1 | H96368667 | Flash Shield | Shown rotated 90° |
| 2 | H8900534H | High Limit Thermostat | 50 Hertz |
| | H89005169 | High Limit Thermostat | 60 Hertz |
| 3 | M411413 | Combination Gas Valve and Ignition Control | Natural Gas; Use Kit M400763 to convert this valve for use with L.P. gas |
| | M411414 | Combination Gas Valve and Ignition Control | L.P. Gas |
| 4 | H8526918H | Gas Valve | |
| 5 | H85289114 | Sensor Lead | |
| 6 | H89000921 | Spark Electrode | |
| 7 | N/A | Pilot Shield | |
| 8 | M401209 | Flame Sensor | |
| 9 | H8900079H | Pilot Orifice | Natural Gas |
| | Q8152 | Pilot Orifice | L.P. Gas |
| 10 | M410405R | Burner Assembly | Natural Gas |
| | M410405 | Burner Assembly | L.P. Gas |
| 11 | 02422 | Screw | 2 required |
| 12 | 20275 | Nut | 2 required |
| 13 | N/A | Manifold Bracket | |
| 14 | H96367610 | Orifice Manifold | |
| 15 | M413016 | Manual Shut-off Valve | Shown closed |
| 16 | N/A | Pilot Mounting Bracket | |

N/A = Part no longer available

Steam Heating Unit



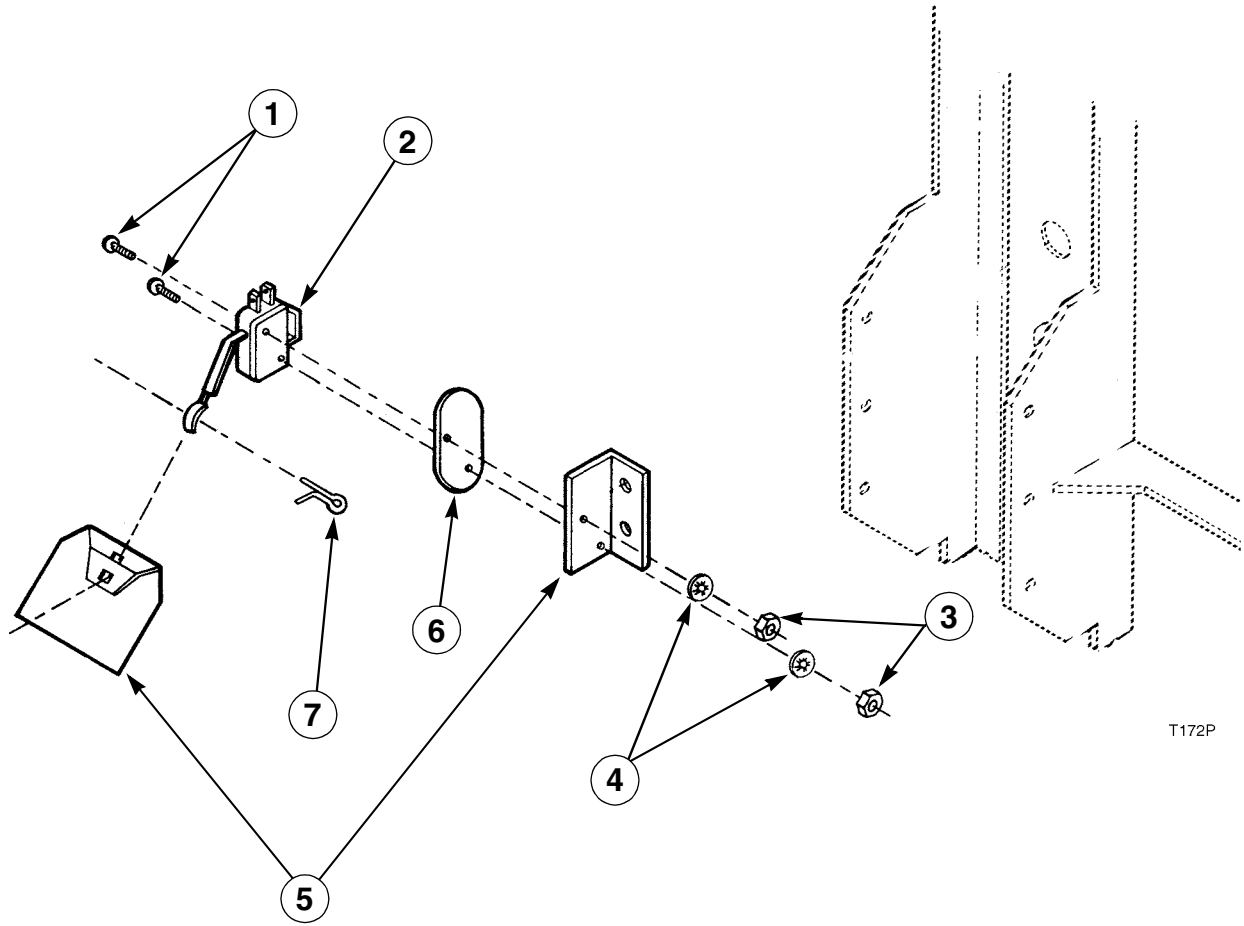
T244P

Steam Heating Unit

| REF | PART # | DESCRIPTION | COMMENTS |
|-----|-----------|----------------------|----------------------|
| 1 | H96382080 | Bearing Flangette | Sole per pair |
| 2 | H96382098 | Bearing Insert | |
| 3 | M413298 | Steam Solenoid Valve | 2 required; 50 Hertz |
| | M413297 | Steam Solenoid Valve | 2 required; 60 Hertz |
| 4 | H96368923 | Housing Cover | |
| 5 | N/A | Damper Link | |
| 6 | N/A | Damper Shaft | |
| 7 | M409834 | Steam Coil | Right |
| 8 | G159756 | Damper Motor | |
| 9 | M413331 | Counterweight | 7 required |
| 10 | H96387501 | Actuator Arm | |
| 11 | H96388186 | Chain | |
| 12 | H96382072 | Connecting Link | |
| 13 | H96388178 | Damper Drive Wheel | |
| 14 | H96388145 | Bracket | |
| 15 | M409967 | Damper | 2 required |
| 16 | M409833 | Steam Coil | Left |
| 17 | N/A | Actuator | |
| 18 | H96388012 | Damper Link | |
| 19 | H96362264 | Filter | 2 required |

N/A = Part no longer available

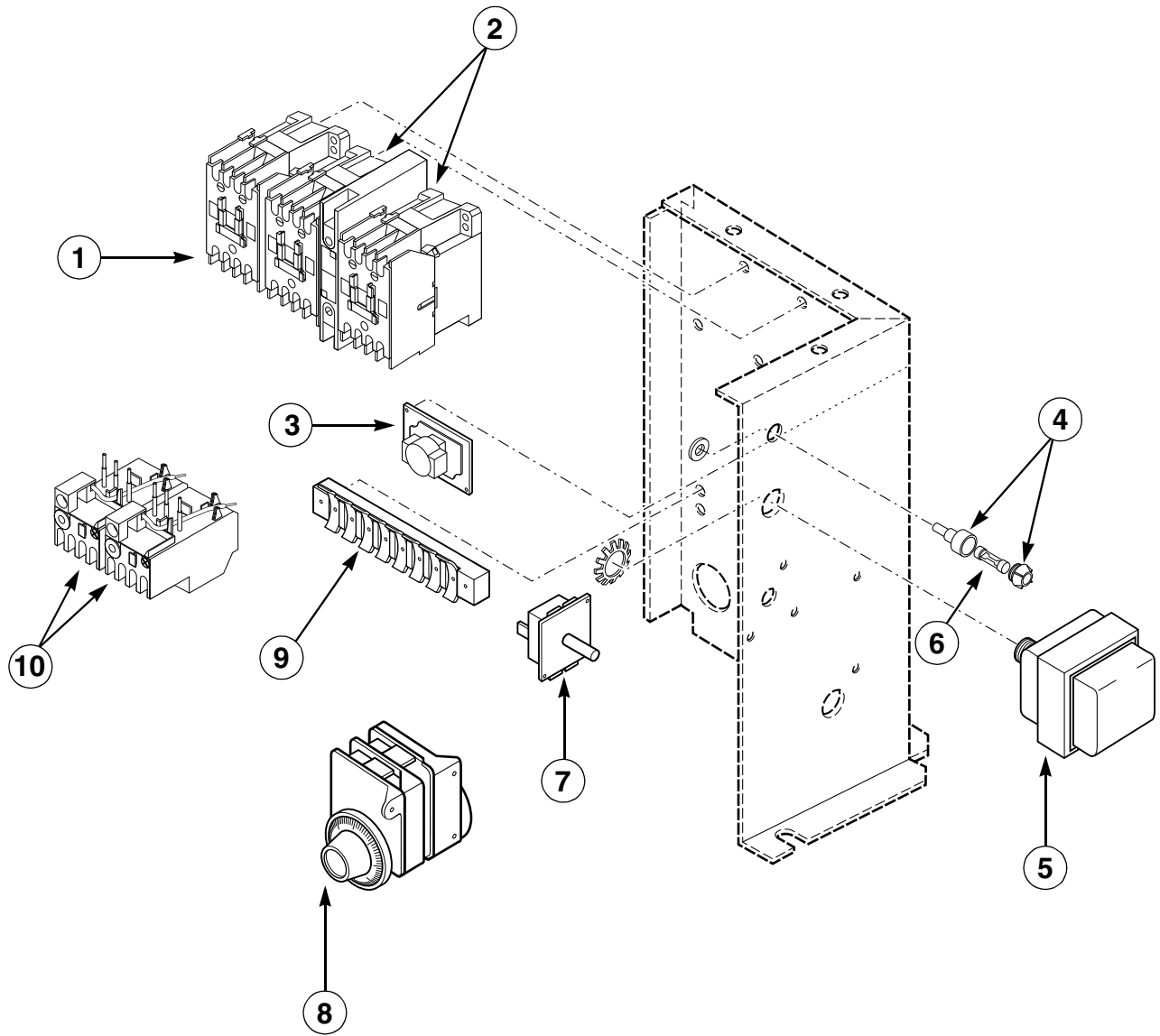
Airflow Switch



Airflow Switch

| REF | PART # | DESCRIPTION | COMMENTS |
|-----|-----------|----------------------|----------|
| 1 | M401938 | Screw | |
| 2 | 44021701 | Switch | |
| 5 | 430372P | Bracket and Vane Kit | |
| 3 | 70072901 | Nut | |
| 4 | 51345 | Lockwasher | |
| 6 | H96418728 | Insulator | |
| 7 | 02470 | Cotter Pin | |

Reversing Controls



TMB1296P

Reversing Controls

| REF | PART # | DESCRIPTION | COMMENTS |
|-----|-----------|----------------------|-------------------------------|
| | H83904615 | Control Transformer | 480 Volt models only |
| 1 | N/A | Fan Contactor | |
| 2 | H8300831H | Reversing Contactor | |
| 3 | H83005314 | Time Delay Relay | |
| 4 | H83900050 | Fuse Holder | |
| 5 | H83904664 | Ignition Transformer | |
| 6 | G137653 | Fuse | 1 Amp, 250 VAC |
| 7 | N/A | Buzzer | |
| 8 | H96422399 | Reversing Timer | |
| 9 | H83103416 | Terminal Strip | |
| 10 | H8300105H | Overload Relay | Drive motor 208-240 Volt |
| | N/A | Overload Relay | Drive motor 380-415-460 Volt |
| | N/A | Overload Relay | Blower motor 208-240 Volt |
| | H8300108H | Overload Relay | Blower motor 380-415-460 Volt |

N/A = Part no longer available

Burner Orifices

| Gas Type | Altitude (Ft.) | Primary Burner Orifice | Secondary Burner Orifice |
|---|----------------|------------------------|--------------------------|
| Natural Gas | 0 – 2,000 | N/A | M409755 |
| | 2,001 – 4,000 | M411422 | M411423 |
| | 4,001 – 6,000 | M410383 | M411053 |
| L.P. Gas (Liquefied Petroleum) | 0 – 2,000 | N/A | H8900073H |
| | 2,001 – 4,000 | – | – |
| | 4,001 – 6,000 | M411396 | N/A |

N/A = Part no longer available

Parts Index

A

| | |
|----------------|----|
| Actuator | |
| N/A | 37 |
| Actuator Arm | |
| H96387501 | 37 |
| Actuator Screw | |
| M409976 | 13 |

B

| | |
|----------------------|--------|
| Bearing Flangette | |
| H96382080 | 37 |
| Bearing Insert | |
| H96382098 | 37 |
| Belt | |
| H87532685 | 29 |
| H87533014 | 21 |
| H87533816P | 21 |
| Belt Guard Side | |
| H96368725 | 19 |
| Blower Cover | |
| H96368857 | 29 |
| Blower Fan | |
| H96368469 | 29 |
| Blower Motor | |
| H8372021H | 29 |
| H8372022H | 29 |
| Blower Sheave | |
| H8752060H | 29 |
| H8752065H | 29 |
| Bolt | |
| H88001565 | 21 |
| Bracket | |
| H96388145 | 37 |
| H96428693 | 27, 29 |
| Bracket and Vane Kit | |
| 430372P | 39 |
| Burner Assembly | |
| M410405 | 35 |
| M410405R | 35 |
| Burner Orifice | |
| H8900073H | 42 |
| M409755 | 42 |
| M410383 | 42 |
| M411053 | 42 |
| M411396 | 42 |
| M411422 | 42 |
| M411423 | 42 |
| N/A | 42 |
| Bushing | |
| H8752922H | 29 |
| H8752931H | 29 |
| H8752985H | 21 |
| M412917 | 29 |
| Buzzer | |
| N/A | 41 |

C

| | |
|--|----|
| Cabinet High Limit Thermostat | |
| H89005227 | 33 |
| H8900533H | 33 |
| Chain | |
| H96388186 | 37 |
| Combination Gas Valve and Ignition Control | |
| M411413 | 35 |
| M411414 | 35 |
| Connecting Link | |
| H96382072 | 37 |
| Control Transformer | |
| H83904615 | 41 |
| Control Trim | |
| M410291 | 13 |
| Conversion Kit | |
| M400763 | 35 |
| N/A | 35 |
| Cooling Timer | |
| M410900P | 7 |
| M410902P | 7 |
| Cotter Pin | |
| 02470 | 39 |
| Counterweight | |
| M413331 | 37 |
| Cylinder | |
| H96367545 | 25 |
| M409826 | 25 |
| Cylinder and Shaft Assembly | |
| H96360003 | 25 |
| M409827 | 25 |
| Cylinder Drive Motor | |
| H8371044H | 27 |
| H8371047HP | 27 |

D

| | |
|-------------------------|----|
| Damper | |
| M409967 | 37 |
| N/A | 31 |
| Damper Drive Wheel | |
| H96388178 | 37 |
| Damper Link | |
| H96388012 | 37 |
| N/A | 37 |
| Damper Motor | |
| G159756 | 37 |
| Damper Shaft | |
| N/A | 37 |
| Door Assembly | |
| M410289 | 15 |
| Door Gasket | |
| H96409156 | 15 |
| Door Glass and Seal Kit | |
| M409899P | 15 |
| Door Glass Seal | |
| M409900 | 15 |

| | |
|-------------------|----|
| Door Handle | |
| M400133 | 15 |
| Door Latch | |
| M401223 | 13 |
| Door Strike Screw | |
| M400661 | 15 |
| Door Switch | |
| H96422241 | 13 |
| Drive Sheave | |
| H8752026H | 27 |
| H87520334 | 27 |
| Drying Timer | |
| M410901P | 7 |
| M410903P | 7 |
| Duct Transition | |
| N/A | 31 |

E

| | |
|---------------|------------|
| Elbow | |
| HN/A | 31 |
| Eye Bolt | |
| M411337 | 21, 27, 29 |

F

| | |
|----------------------------|----|
| Fan Bearing Conversion Kit | |
| M4680P3 | 29 |
| Fan Contactor | |
| N/A | 41 |
| Filter | |
| H96362264 | 37 |
| Flame Sensor | |
| M401209 | 35 |
| Flash Shield | |
| H96368667 | 35 |
| Front Panel | |
| M410270 | 13 |
| M410271 | 13 |
| N/A | 13 |
| Fuse | |
| G137653 | 41 |
| Fuse Holder | |
| H83900050 | 41 |

G

| | |
|-----------------|----|
| Gas Valve | |
| H8526918H | 35 |
| Graphic Plate | |
| M410265 | 9 |

H

| | |
|-----------------------|----|
| High Limit Thermostat | |
| H89005169 | 35 |
| H8900534H | 35 |
| High Thermostat | |
| H8900531H | 33 |

| | |
|----------------------|----|
| Hinge Mounting Screw | |
| H88129648 | 15 |
| M400044 | 15 |
| Hinge Pin | |
| M410029 | 13 |
| Housing Cover | |
| H96368923 | 37 |

I

| | |
|----------------------|--------|
| Ignition Transformer | |
| H83904664 | 41 |
| Insulation | |
| N/A | 13 |
| Insulator | |
| H96418728 | 13, 39 |
| M406144 | 7 |

J

| | |
|--------------------|----|
| Jackshaft Assembly | |
| H96357751 | 21 |

K

| | |
|-----------------|--------|
| Key | |
| H8752006H | 27, 29 |
| Knurled Nut | |
| 24205 | 9 |

L

| | |
|------------------------|----------------|
| Light | |
| M400704 | 7, 9 |
| N/A | 5 |
| Lint Panel | |
| N/A | 11 |
| Lint Screen | |
| H96367016P | 17 |
| Lint Screen Frame | |
| H96362025 | 17 |
| Load Ready Thermostat | |
| H8900530H | 33 |
| Lockwasher | |
| H88511118 | 23, 27 |
| M400013 | 29 |
| M400014 | 21, 23, 27, 29 |
| 03189 | 31 |
| 51345 | 13, 39 |
| 91176 | 9 |
| Low Thermostat | |
| H89005243 | 33 |
| Lower Belt Guard Cover | |
| H96368733 | 19 |
| Lower Door Hinge | |
| M410031 | 15 |
| M410702 | 15 |
| Lower Panel Hinge | |
| M410042P | 13 |

M

| | |
|-----------------------|--------|
| Manifold Bracket | |
| N/A | 35 |
| Manual Shut-off Valve | |
| M413016 | 35 |
| Medium Thermostat | |
| H89005235 | 33 |
| Motor Base | |
| M413171 | 27, 29 |
| Motor Sheave | |
| H8752060H | 29 |
| H8752065H | 29 |
| Mounting Bracket | |
| H96428008 | 23 |

N

| | |
|-----------------|----------------|
| Nameplate | |
| M410355 | 11 |
| N/A | 11 |
| Nut | |
| H88412093 | 23, 27 |
| M404993 | 21, 25, 27, 29 |
| M412334 | 25 |
| Q6163 | 15 |
| 20274 | 21, 23, 27, 29 |
| 20275 | 31, 35 |
| 23951 | 11 |
| 70054 | 15 |
| 70072901 | 13, 39 |
| 70142 | 29 |
| Nylon Washer | |
| H88569108 | 11, 13 |
| M400671 | 15 |

O

| | |
|------------------|----|
| Orifice Manifold | |
| H96367610 | 35 |
| Overload Relay | |
| H8300105H | 41 |
| H8300108H | 41 |
| N/A | 41 |

P

| | |
|------------------------|----|
| Pilot Mounting Bracket | |
| N/A | 35 |
| Pilot Orifice | |
| H8900079H | 35 |
| Q8152 | 35 |
| Pilot Shield | |
| N/A | 35 |
| Push-to-Start Label | |
| N/A | 5 |
| Push-to-Start Switch | |
| M400954 | 7 |

R

| | |
|-------------------------------|----|
| Relay | |
| M400908 | 7 |
| Resistor | |
| M410992 | 7 |
| Retainer Ring | |
| H88602263 | 21 |
| H88603477 | 21 |
| Reversing Contactor | |
| H8300831H | 41 |
| Reversing Switch | |
| M400945 | 5 |
| M413270 | 5 |
| Reversing Timer | |
| H96422399 | 41 |
| Reversing/Nonreversing Switch | |
| M413270 | 9 |
| Rib Rod | |
| H8830143H | 25 |
| Roller Catch | |
| H87020202 | 11 |
| Rubber Trim | |
| H81224511P | 11 |

S

| | |
|----------------------|------------|
| Screw | |
| H88001565 | 27 |
| H88010038 | 31 |
| H88110267 | 13 |
| H88111703 | 23 |
| H88129788 | 13 |
| H88213707 | 11, 13 |
| H88213996 | 23 |
| H88214515 | 33 |
| M400043 | 21, 27 |
| M400044 | 11 |
| M400056 | 29 |
| M400071 | 7 |
| M400072 | 7, 13 |
| M400664 | 7 |
| M401902 | 11 |
| M401938 | 39 |
| M409385 | 15 |
| M411052 | 7 |
| 02422 | 35 |
| 22688 | 23, 27, 29 |
| 51780 | 7 |
| Sensor Lead | |
| H85289114 | 35 |
| Sheave | |
| H8752251H | 21 |
| Spark Electrode | |
| H89000921 | 35 |
| Speed Nut | |
| H8841927H | 19 |
| Steam Coil | |
| M409833 | 37 |
| M409834 | 37 |
| Steam Solenoid Valve | |
| M411689 | 37 |
| M413297 | 37 |

| | |
|-------------------------|----|
| Step Pulley | |
| H96428024 | 21 |
| Step Pulley Bearing | |
| H87672374 | 21 |
| Step Pulley Bearing Kit | |
| M4718P3..... | 21 |
| Switch | |
| 44021701 | 39 |

T

| | |
|----------------------|----|
| Taper Bushing | |
| H87529111 | 27 |
| Temperature Knob | |
| M400777 | 9 |
| M410929 | 9 |
| Temperature Switch | |
| 27762 | 9 |
| Terminal Bracket | |
| M400000 | 7 |
| Terminal Strip | |
| H83103416 | 41 |
| Three Cycle Timer | |
| H96402318 | 5 |
| N/A | 5 |
| Time Delay Relay | |
| H83005314 | 41 |
| Timer Bracket | |
| M410274 | 7 |
| Timer Graphics Plate | |
| M410264 | 7 |
| M410266 | 7 |
| M410869 | 7 |
| Timer Knob | |
| H83901157 | 5 |
| M400773 | 7 |
| M410927 | 7 |
| Timer Label | |
| N/A | 5 |
| Top Access Panel | |
| H96368626 | 11 |
| Trunnion Assembly | |
| H96367537 | 25 |
| Trunnion Bearing | |
| H87625430 | 23 |
| Tube | |
| H96428479 | 27 |
| H96428487 | 21 |

U

| | |
|------------------------|----|
| Upper Belt Guard Cover | |
| H96367669 | 19 |
| Upper Door Hinge | |
| M410030 | 15 |
| M410701 | 15 |
| Upper Panel Hinge | |
| M410041 | 13 |

V

| | |
|-----------|----|
| Vent Pipe | |
| N/A | 31 |

W

| | |
|---------------|------------|
| Warning Label | |
| M409312 | 13 |
| M410892 | 13 |
| Washer | |
| M400080 | 21, 27, 29 |
| M400081 | 23 |
| Q6712..... | 29 |
| Wire Set | |
| N/A | 13 |