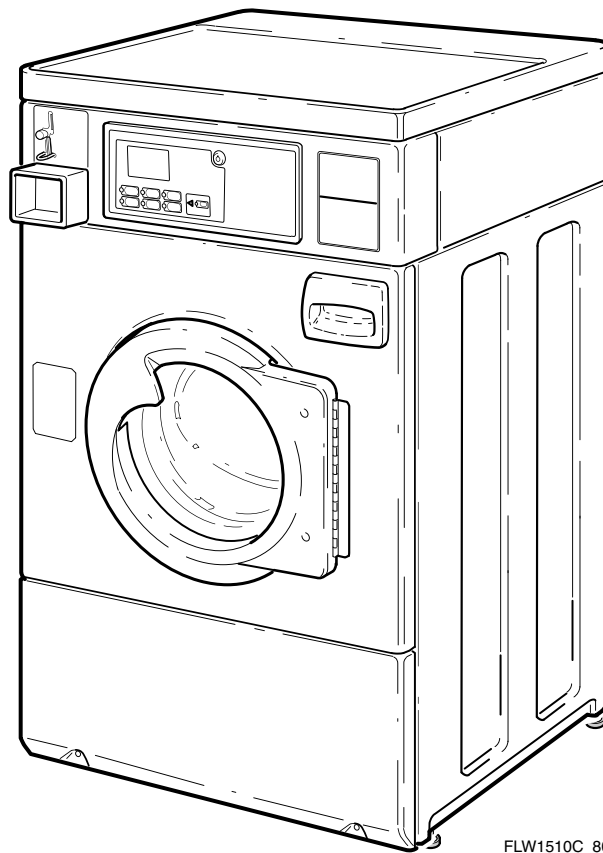


Commercial Frontload Washers

Refer to Page 3 for Model Numbers



FLW1510C_800167

Table of Contents

Title	Page
Parts Ordering Information.....	2
Nameplate Location.....	2
Model Identification.....	3
Control Panel and Controls.....	4
Cabinet Top.....	6
Control Shield and Motor Control.....	8
Control Shield and Other Controls.....	10
Wrapper Assembly and Coin Drop.....	12
Electronic Coin Drop.....	14
Wrapper Assembly.....	16
Wrapper Assembly and Card Reader Kit.....	18
Wrapper Assembly and Card Reader.....	20
Front Panel, Older Style Door Assembly and Door Seal.....	22
Front Panel, Newer Style Door Assembly and Door Seal.....	24
Dispenser Assembly.....	26
Mixing Valve and Fill Hose.....	28
Outer Tub, Front and Clamp Ring.....	30
Inner Basket, Trunnion, Bearing Housing and Pulley.....	32
Motor and Belt.....	34
Hoses and Pump.....	36
Base, Panels and Rear Panel.....	38
Shipping Materials.....	40
Wire Ties, Harness Clips and Lead-In Cord.....	42
Special Tools.....	44
Labels (Drawing 1 of 2).....	46
Labels (Drawing 2 of 2).....	48
Wire Harnesses and Wires.....	50
Parts Index.....	53

© Copyright 2007, Alliance Laundry Systems LLC

All rights reserved. No part of the contents of this book may be reproduced or transmitted in any form or by any means without the expressed written consent of the publisher.

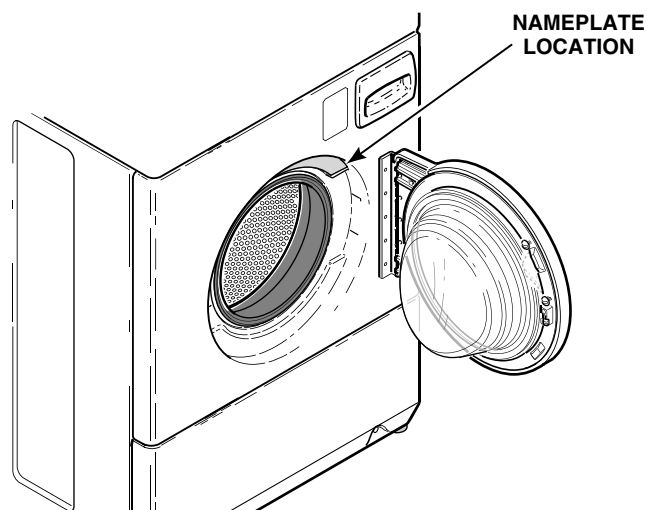
Parts Ordering Information

If literature or replacement parts are required, contact the source from whom the machine was purchased or contact Alliance Laundry Systems at (920) 748-3950 for the name and address of the nearest authorized parts distributor.

For technical assistance, call (920) 748-3121.

Nameplate Location

When calling or writing about your product, be sure to mention model and serial numbers. Model and serial numbers are located on nameplate(s) as shown.



H129P_800167

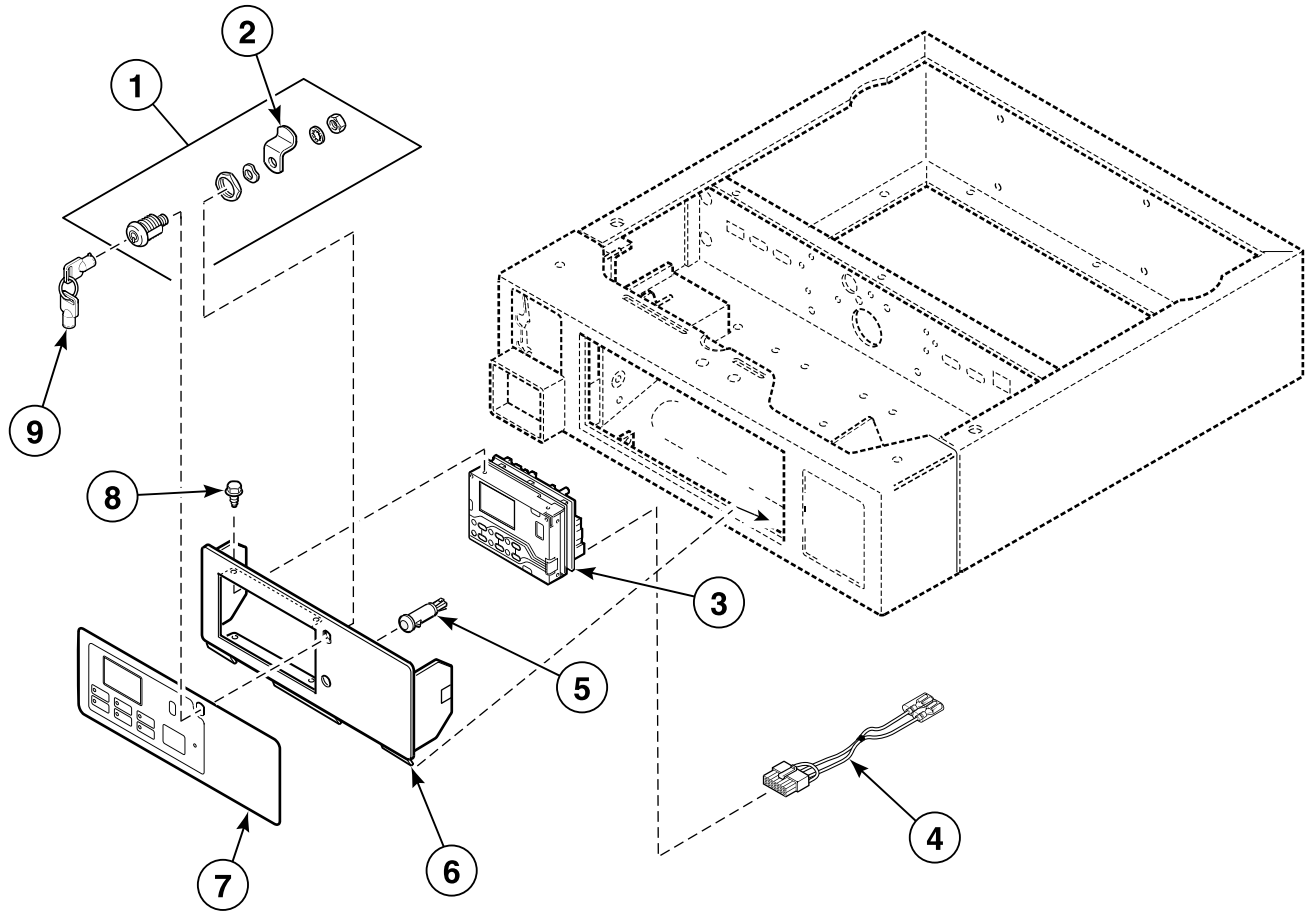
Model Identification

Information in this manual is applicable to these washer models:

HWF561*E1102	HWFX61*H1102	SWF661*E	SWFB61*H	SWFH61*J
HWF561*H1102	HWFY61*H1102	SWF661*H	SWFB61*J	SWFJ61*J
HWF761*E1102	HWFZ61*H	SWF761*E	SWFC61*H	SWFT61*H
HWFB61*J1102	HWFZ61*H1102	SWF761*H	SWFC61*J	SWFX61*H
HWFF61*J1102	SWF561*E	SWFA61*H	SWFD61*H	SWFY61*H
HWFT61*H	SWF561*H	SWFA61*J	SWFF61*J	SWFZ61*H
HWFT61*H1102				

* Add Letter To Designate Color. L - Almond Q - Bisque W - White

Control Panel and Controls



FLW970P_800167

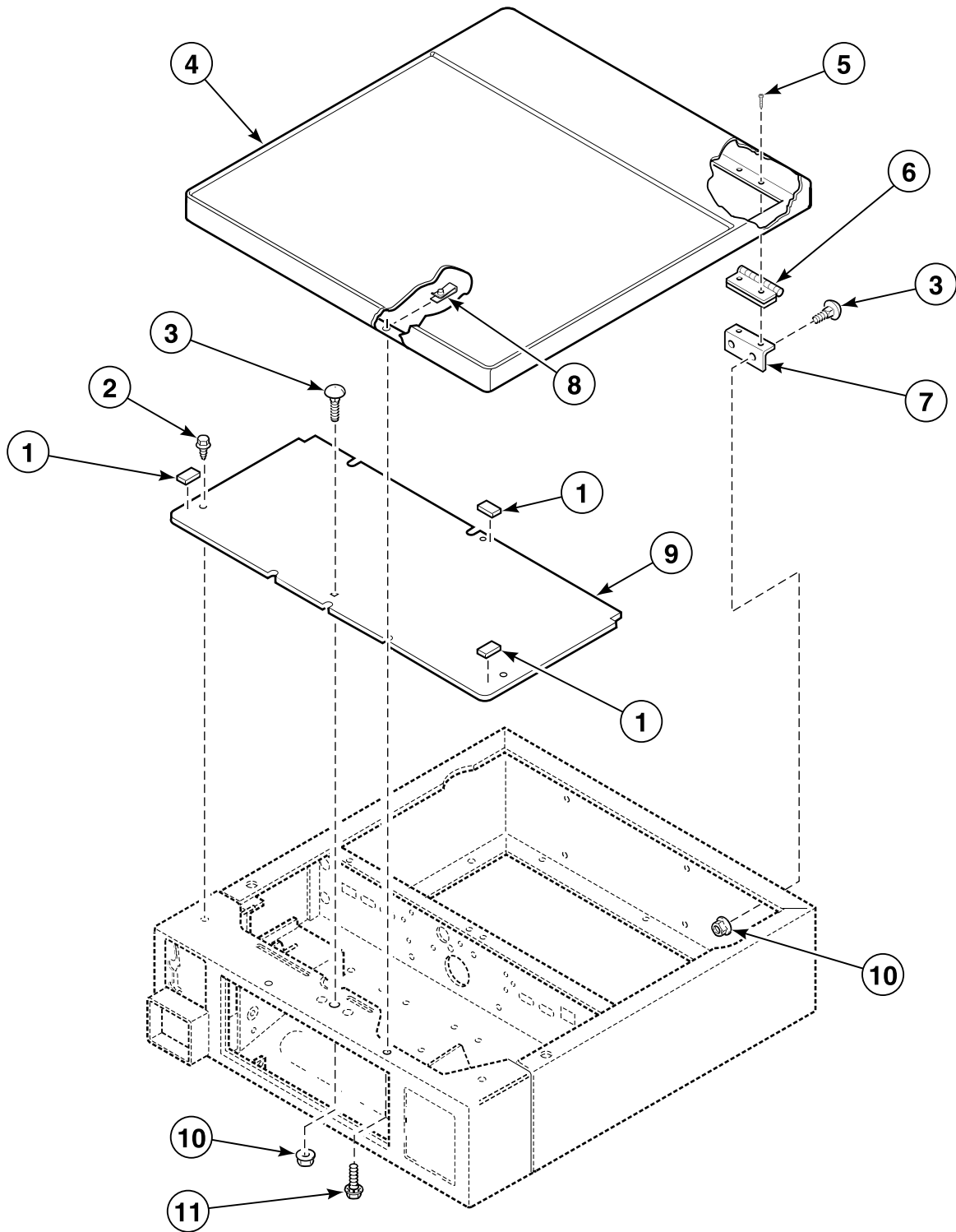
Control Panel and Controls

REF	PART NO.	DESCRIPTION	COMMENTS
1	27260P	Lock Kit	Includes item 2
2	27261	Lock Cam	
3	800303P	Control Assembly	Models HWF561*E1102, HWF761*E1102, SWF561*E, SWF661*E and SWF761*E
	800772P	Control Kit	Models HWF561*H1102, HWF761*E1102, HWFB61*J1102, HWFF61*J1102, SWF561*H, SWF661*H, SWF761*H, SWFA61*J, SWFB61*H, SWFB61*J, SWFC61*H, SWFC61*J, SWFD61*H, SWFF61*J, SWFH61*J and SWFJ61*J
	802248P	Control Assembly	Models HWFT61*H, HWFT61*H1102, HWFX61*H1102, HWFY61*H1102, HWFZ61*H, HWFZ61*H1102, SWFT61*H, SWFX61*H, SWFY61*H and SWFZ61*H
4	800374	Diagnostic Wire Harness Assembly	Models HWFF61*J1102, HWFY61*H1102, SWFC61*J, SWFF61*J, SWFJ61*J and SWFY61*H
5	32464	Light	Models HWF561*E1102, HWF561*H1102, HWF761*E1102, SWF561*E, SWF561*H, SWF661*E, SWF661*H, SWF761*E, SWF761*H, SWFA61*H, SWFB61*H, SWFC61*H and SWFD61*H
6	685061W	Control Panel and Bracket Assembly	Models HWF561*E1102, HWF761*E1102, SWF561*E, SWF661*E and SWF761*E
	800035W	Control Panel and Bracket Assembly	White; All other models
	800035L	Control Panel and Bracket Assembly	Almond; All other models
	800035Q	Control Panel and Bracket Assembly	Bisque; All other models
7	685510	Overlay	Models SWF561*E, SWF661*E, SWF761*E, SWF561*H, SWF661*H and SWF761*H
	N/A	Overlay	Models HWF561*E1102, HWF761*E1102 and HWF561*H1102
	800033	Control Panel Overlay	Models SWFC61*J, SWFF61*J and SWFJ61*J
	800413	Control Panel Overlay	Models SWFA61*H, SWFA61*J, SWFB61*H, SWFB61*J, SWFC61*H, SWFD61*H and SWFH61*J
	800416	Control Panel Overlay	Model HWFB61*J1102
	N/A	Overlay	Model HWFF61*J1102
	801050	Front Overlay	Models SWFT61*H, SWFX61*H, SWFY61*H and SWFZ61*H
	801053	Front Overlay	Models HWFT61*H, HWFT61*H1102, HWFX61*H1102, HWFY61*H1102, HWFZ61*H and HWFZ61*H1102
	8	501524	Screw
9	54612	Key	800

* Add Letter To Designate Color. L - Almond Q - Bisque W - White

N/A = Part no longer available

Cabinet Top



FLW858P_800167

Cabinet Top

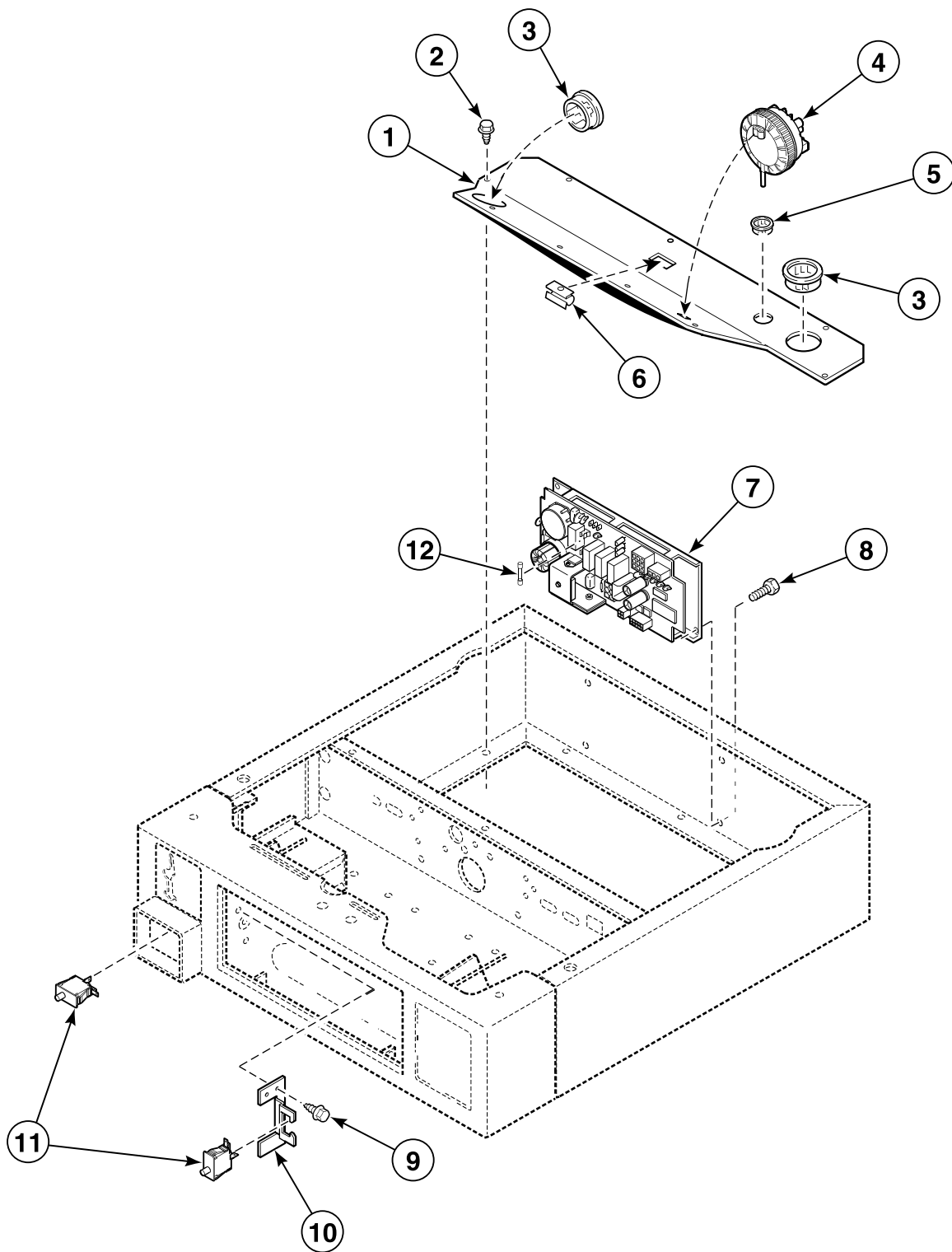
REF	PART NO.	DESCRIPTION	COMMENTS
1	56128	Bumper Pad	Use with item 8
2	502431	Screw	Models SWF561*E, SWF661*E and SWF761*E
	36048	Screw	All other models
3	29651	Bolt	
4	802247WP	Top and Gusset Assembly	White; Includes (1) 802247* Top Panel, (10) 02788 Nut, (10) 34337 Screw, (2) 510146 Bracket and (2) each of items 6 and 7
	802247LP	Top and Gusset Assembly	Almond; Includes (1) 802247* Top Panel, (10) 02788 Nut, (10) 34337 Screw, (2) 510146 Bracket and (2) each of items 6 and 7
	802247QP	Top and Gusset Assembly	Bisque; Includes (1) 802247* Top Panel, (10) 02788 Nut, (10) 34337 Screw, (2) 510146 Bracket and (2) each of items 6 and 7
5	685847	Pop Rivet	
6	511036	Hinge	
7	504228	Top Mounting Bracket	
8	36020	Nut	
9	N/A	Security Top Panel	All models except HWFF61*J1102, HWFY61*H1102, SWFC61*H, SWFC61*J, SWFD61*H, SWFF61*J, SWFJ61*J and SWFY61*H
10	29796	Nut	
11	23008	Screw	

* Add Letter To Designate Color. L - Almond Q - Bisque W - White

N/A = Part no longer available

Control Shield and Motor Control

Models HWF561*E1102, HWF761*E1102, SWF561*E, SWF661*E and SWF761*E



FLW971P_800167

Control Shield and Motor Control

REF	PART NO.	DESCRIPTION	COMMENTS
1	801371	Control Shield	
2	503661	Screw	
3	503235	Snap Bushing	Models through Serial Nos. beginning 0105
4	800468P	Pressure Switch	
5	M402542	Snap Bushing	
6	36985	Hose Clip	
7	687539P	Motor Control Assembly	
8	501524	Screw	
9	503688	Screw	
10	38087	Door Switch Bracket	
11	504570	Switch	
12	F350138	Fuse	7 Amp; 1.25 x .25

* Add Letter To Designate Color. L - Almond Q - Bisque W - White

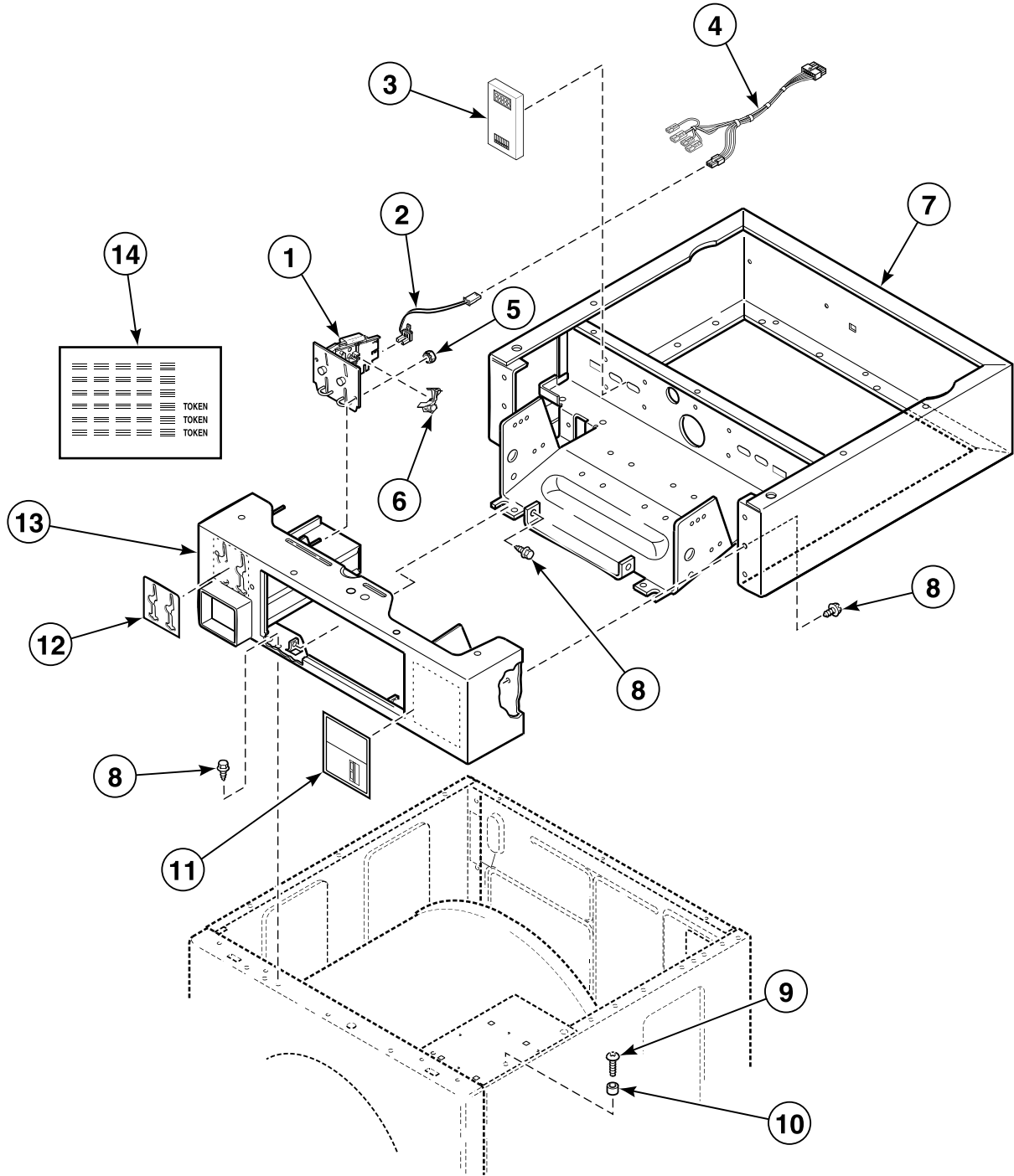
Control Shield and Other Controls

REF	PART NO.	DESCRIPTION	COMMENTS
1	503661	Screw	
2	800217	Network Wire Harness Assembly	Models SWFH61*J and SWFJ61*J
3	210018P	Transformer	Models HWFB61*J1102, HWFF61*J1102, HWFT61*H, HWFT61*H1102, HWFZ61*H, HWFZ61*H1102, SWFA61*H, SWFB61*H, SWFB61*J, SWFC61*H, SWFD61*H, SWFF61*J, SWFH61*J, SWFJ61*J, SWFT61*H and SWFZ61*H
	210019P	Transformer	Models HWFX61*H1102, HWFY61*H1102, SWFA61*J, SWFC61*J, SWFX61*H and SWFY61*H
4	210016P	Network Board Assembly	Models SWFH61*J and SWFJ61*J
5	800216	Network Cable Wire Harness Assembly	Models SWFH61*J and SWFJ61*J
6	801371	Control Shield	
7	503235	Snap Bushing	Models through Serial Nos. beginning 0105
8	800468P	Pressure Switch	
9	M402542	Snap Bushing	
10	36985	Hose Clip	
11	687539P	Motor Control Assembly	
12	501524	Screw	
13	F350138	Fuse	7 Amp; 1.25 x .25
14	210099	Communication Connector	Models SWFH61*J and SWFJ61*J
15	210098	PC Board Standoff	Models SWFH61*J and SWFJ61*J
16	210095P	Communication Board	Models SWFH61*J and SWFJ61*J
17	503688	Screw	
18	800379	Audit Switch Bracket	
19	504570	Switch	

* Add Letter To Designate Color. L - Almond Q - Bisque W - White

Wrapper Assembly and Coin Drop

Models HWF561*E1102, HWF561*H1102, HWFB61*J1102, HWFT61*H, HWFT61*H1102, HWFX61*H1102, HWFZ61*H, HWFZ61*H1102, SWF561*E, SWF561*H, SWFA61*H, SWFA61*J, SWFB61*H, SWFB61*J, SWFH61*J, SWFT61*H, SWFX61*H and SWFZ61*H



FLW973P_800167

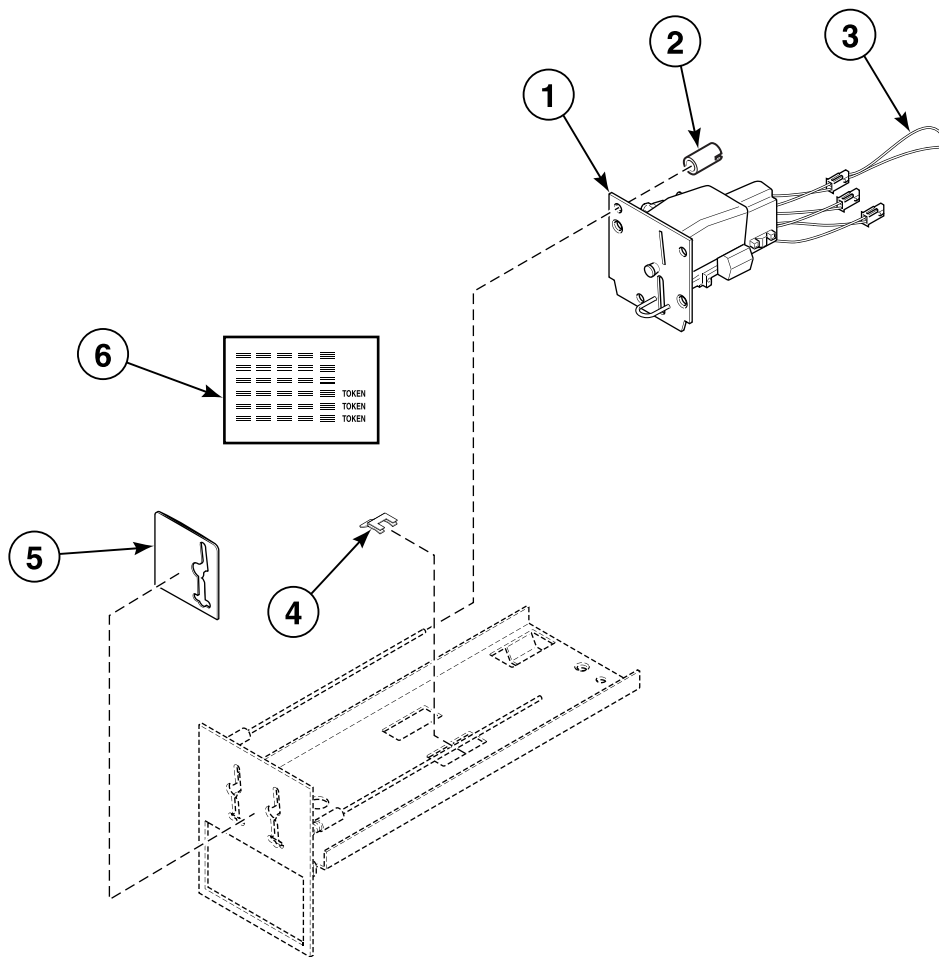
Wrapper Assembly and Coin Drop

REF	PART NO.	DESCRIPTION	COMMENTS
1	200578P	Coin Drop Assembly	Dual drop; Models HWF561*E1102, HWF561*H1102, HWFB61*J1102, HWFT61*H1102 and HWFZ61*H1102
	38479P	Coin Drop	Single drop; All other models
2	200674P	Opto Coupler	
3	38571	Multiplier Assembly	Models HWF561*E1102, HWF561*H1102, HWFB61*J1102, HWFT61*H1102 and HWFZ61*H1102
4	800212P	Coin Drop Harness	Models HWFT61*H, HWFZ61*H, SWFB61*H, SWFB61*J, SWFH61*J, SWFT61*H and SWFZ61*H
	800213P	Dual Coin Harness	Models HWFB61*J1102, HWFT61*H1102, HWFX61*H1102, HWFZ61*H1102, SWFA61*H, SWFA61*J and SWFX61*H
5	29786	Nut	
6	201595P	Wire Guard	Anti-stringing security device; Add to coin drops manufactured starting January 2005
7	505753WP	Wrapper and Channel Assembly	White
	505753LP	Wrapper and Channel Assembly	Almond
	505753QP	Wrapper and Channel Assembly	Bisque
8	503688	Screw	
9	39733	Screw	
10	56079	Panel Locator	
11	685942	Instruction Label	
12	39073	Dual Overlay	Dual drop; Models HWF561*E1102, HWF561*H1102, HWFB61*J1102, HWFT61*H1102, HWFX61*H1102 and HWFZ61*H1102
	38717	Single Overlay	Single drop; All other models
13	511633WP	Security Cabinet Front Assembly	White
	511633LP	Security Cabinet Front Assembly	Almond
	511633QP	Security Cabinet Front Assembly	Bisque
14	38725	Coin Identification Paper	

* Add Letter To Designate Color. L - Almond Q - Bisque W - White

Electronic Coin Drop

Models HWFX61*H1102, SWFA61*H, SWFA61*J and SWFX61*H



FLW961P_800167

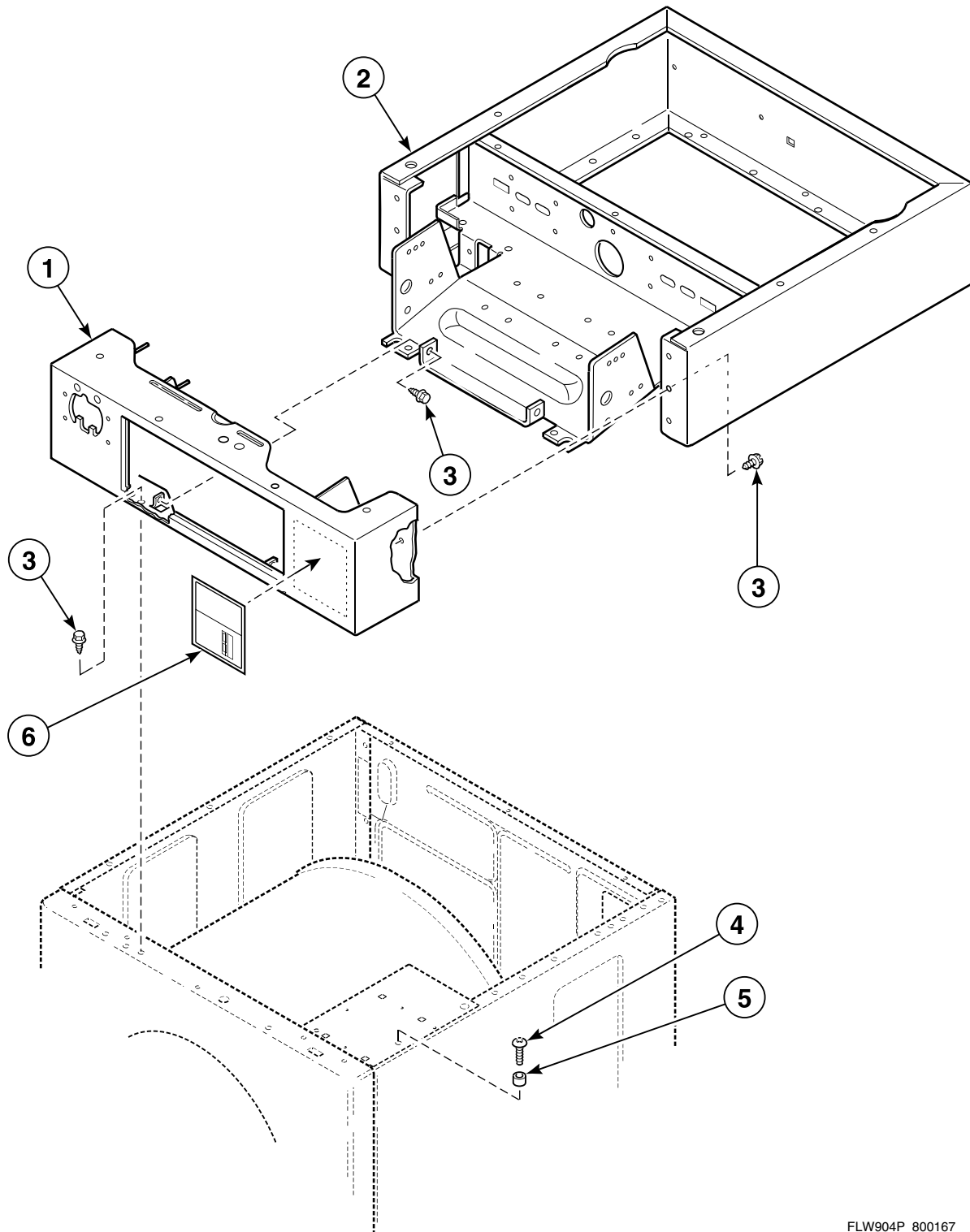
Electronic Coin Drop

REF	PART NO.	DESCRIPTION	COMMENTS
1	CK095	Electronic Coin Drop Kit	
	70294101P	Electronic Coin Drop Assembly	
2	201216	Nut	
3	201104	Coin Drop Wire Harness	
4	201572	Clip	
5	201091	Overlay	
6	38725	Coin Identification Paper	

* Add Letter To Designate Color. L - Almond Q - Bisque W - White

Wrapper Assembly

Models SWFC61*H and SWFC61*J



FLW904P_800167

Wrapper Assembly

REF	PART NO.	DESCRIPTION	COMMENTS
1	505699WP	Security Cabinet Front Assembly	White
	505699LP	Security Cabinet Front Assembly	Almond
2	505753WP	Wrapper and Channel Assembly	White
	505753LP	Wrapper and Channel Assembly	Almond
	505753QP	Wrapper and Channel Assembly	Bisque
3	503688	Screw	
4	39733	Screw	
5	56079	Panel Locator	
6	685942	Instruction Label	

* Add Letter To Designate Color. L - Almond Q - Bisque W - White

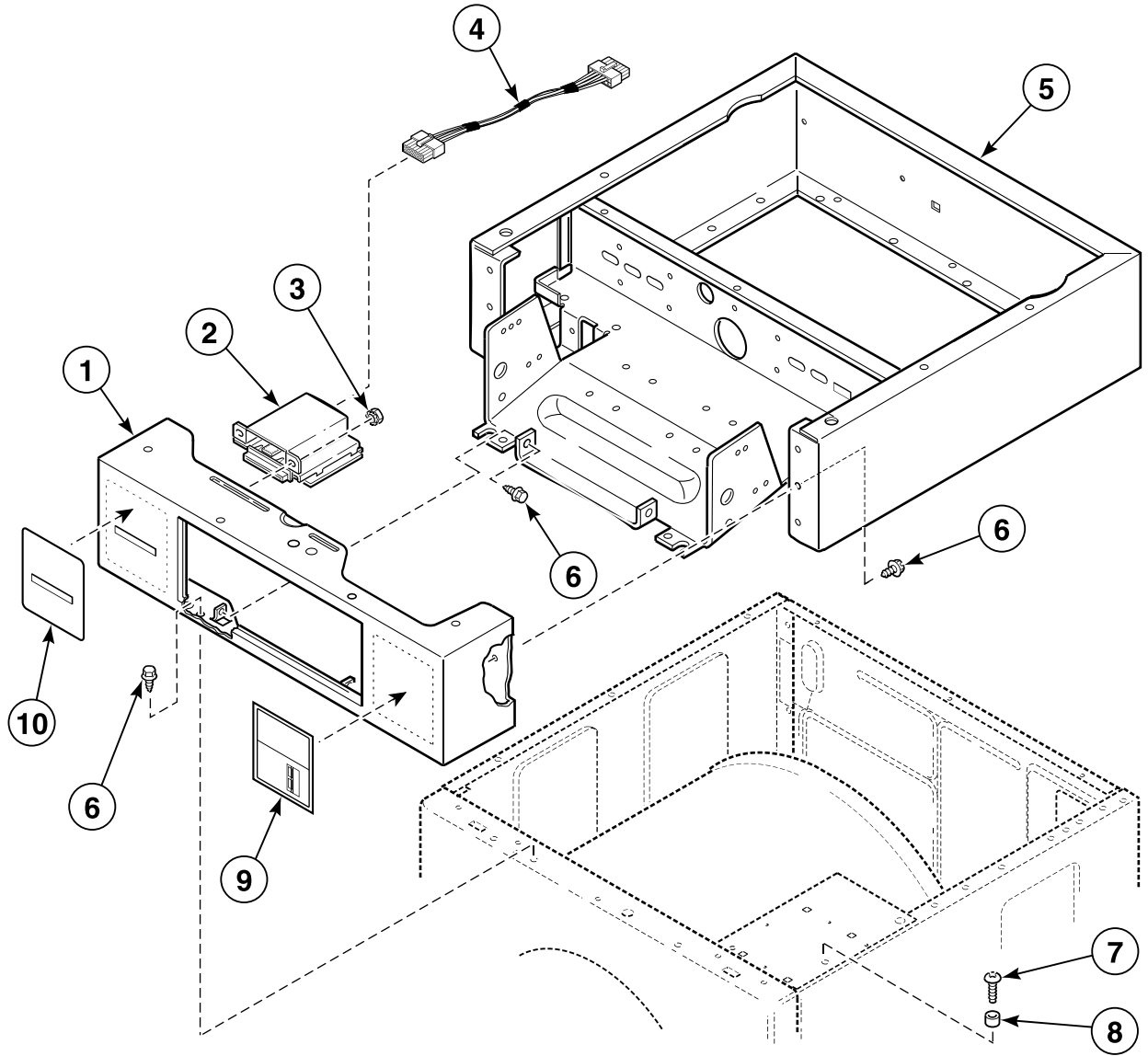
Wrapper Assembly and Card Reader Kit

REF	PART NO.	DESCRIPTION	COMMENTS
1	876P3	Card Reader Kit	Models HWF761*E1102, SWF661*E, SWF661*H, SWF761*E and SWF761*H
	885P3	Card Reader Kit	Model SWFD61*H
2	501524	Screw	
3	686581	Card Reader Wire Harness Assembly	Use with 39685 Card Reader; Models HWF761*E1102, SWF761*E and SWF761*H
	N/A	Card Reader Harness Assembly	Use with 39685 Card Reader; Model SWFD61*H
4	505753WP	Wrapper and Channel Assembly	White
	505753LP	Wrapper and Channel Assembly	Almond
	505753QP	Wrapper and Channel Assembly	Bisque
5	503688	Screw	
6	39733	Screw	
7	56079	Panel Locator	
8	685942	Instruction Label	
9	N/A	Card Reader Overlay	Use with 39685 Card Reader; Model HWF761*E1102
	38192	Card Reader Instruction Overlay	Use with 39685 Card Reader; All other models
10	505542W	Security Cabinet Front Assembly	Use with 39685 Card Reader
	505699WP	Security Cabinet Front Assembly	White; Use with card reader kits
	505699LP	Security Cabinet Front Assembly	Almond; Use with card reader kits
11	512496	Power Supply	Models HWF761*E1102, SWF661*E, SWF661*H, SWF761*E and SWF761*H
	512498	Power Supply	Model SWFD61*H
12	512473	Card Reader	
13	512499P	Programming Card	
14	512505	Bolt	
15	512501	Harness	Models HWF761*E1102, SWF661*E, SWF661*H, SWF761*E and SWF761*H
	512503	Harness	Model SWFD61*H

* Add Letter To Designate Color. L - Almond Q - Bisque W - White
 N/A = Part no longer available

Wrapper Assembly and Card Reader

Models HWFF61*J1102, HWFY61*H1102, SWFF61*J, SWFJ61*J and SWFY61*H



FLW898P_800167

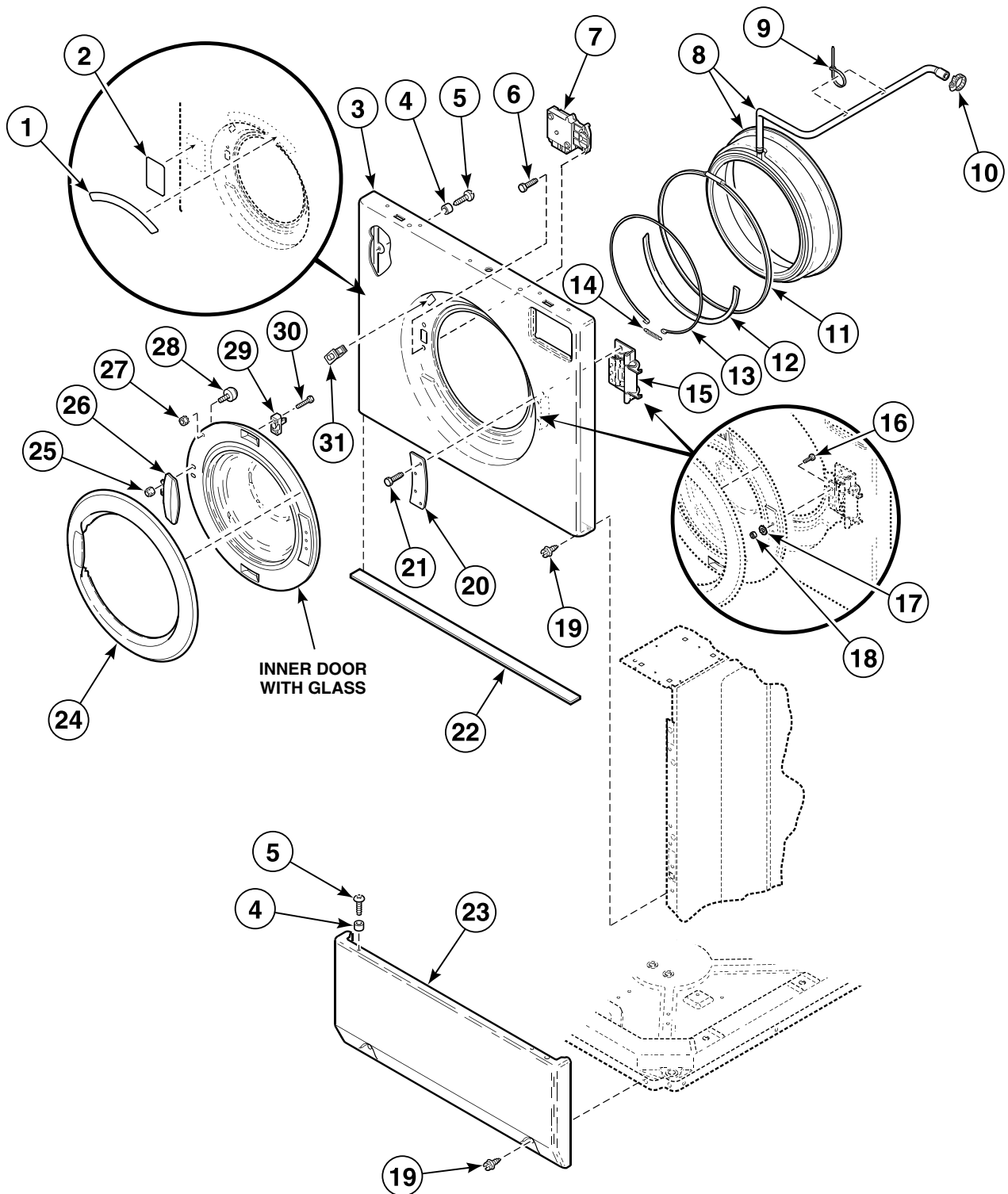
Wrapper Assembly and Card Reader

REF	PART NO.	DESCRIPTION	COMMENTS
1	511209WP	Security Cabinet Front Assembly	White
	511209L	Security Cabinet Front Assembly	Almond
	511209Q	Security Cabinet Front Assembly	Bisque
2	510068P	Card Reader and Bracket Assembly	
3	70054	Nut	
4	800125P	Card Reader Wire Harness Assembly	Models HWFF61*J1102 and SWFF61*J
5	505753WP	Wrapper and Channel Assembly	White
	505753LP	Wrapper and Channel Assembly	Almond
	505753QP	Wrapper and Channel Assembly	Bisque
6	503688	Screw	
7	39733	Screw	
8	56079	Panel Locator	
9	685942	Instruction Label	
10	511544	Card Insert Overlay	Model SWFY61*H
	511548	Card Insert Overlay	Model HWFY61*H1102
	800230	Card Reader Overlay	All other models

* Add Letter To Designate Color. L - Almond Q - Bisque W - White

Front Panel, Older Style Door Assembly and Door Seal

Models HWF561*E1102, HWF761*E1102, SWF561*E, SWF661*E and SWF761*E



H049PZ3A_800167

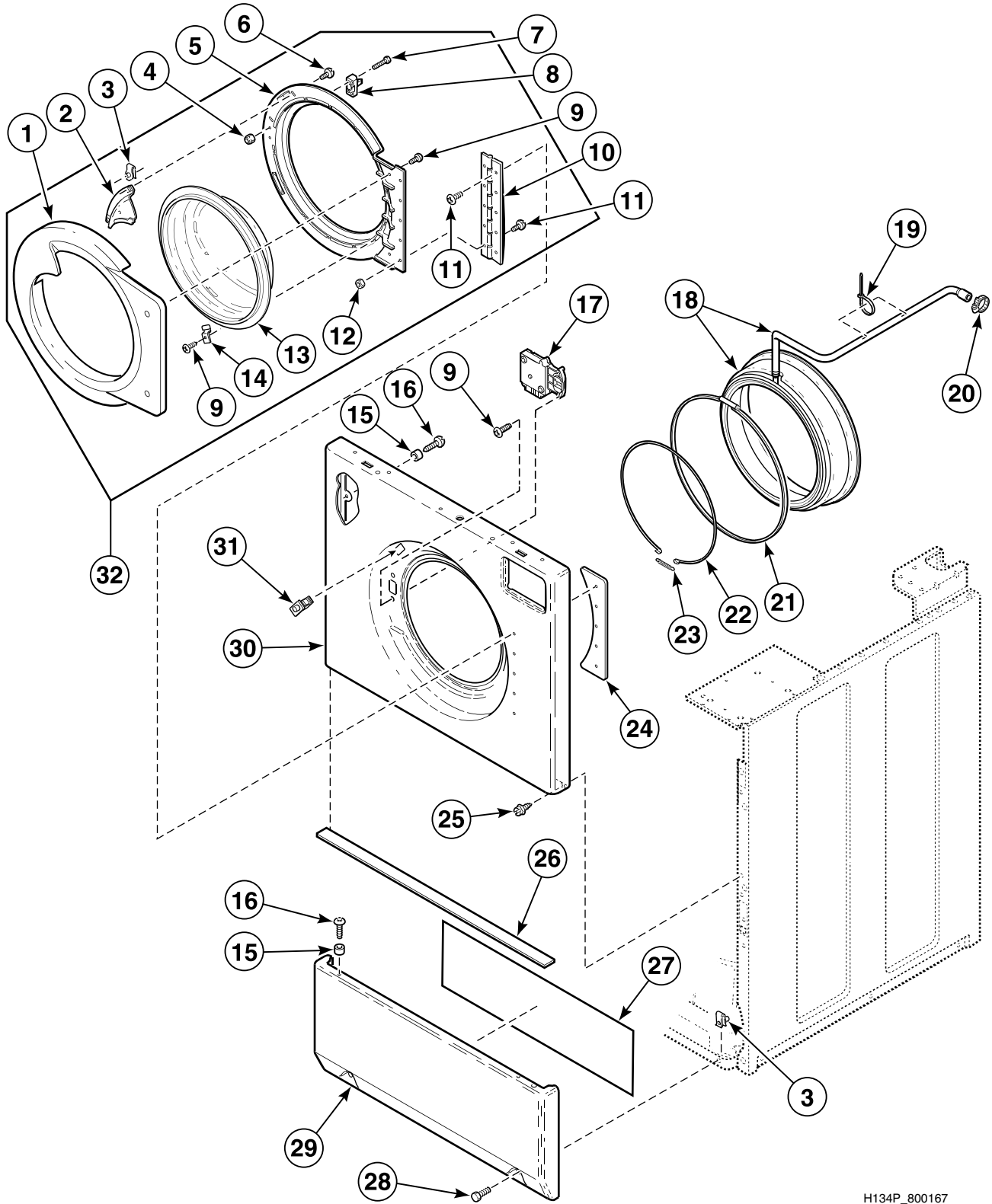
Front Panel, Older Style Door Assembly and Door Seal

REF	PART NO.	DESCRIPTION	COMMENTS
1	N/A	Low Sudsing Label	
2	685947	Door Locked Label	
3	800435WP	Front Panel Assembly	White; Includes items 4, 5, 7, 802412 Hinge Plate, 800336* Front Panel and 800436* Door Assembly
	800435LP	Front Panel Assembly	Almond; Includes items 4, 5, 7, 802412 Hinge Plate, 800336* Front Panel and 800436* Door Assembly
	800435QP	Front Panel Assembly	Bisque; Includes items 4, 5, 7, 802412 Hinge Plate, 800336* Front Panel and 800436* Door Assembly
4	56079	Panel Locator	
5	39733	Screw	
6	800548	Screw	
7	685429	Door Latch/Switch Assembly	
8	800232	Door Seal and Hose Assembly	
9	55881	Harness Strap	
10	36801	Hose Clamp	
11	685743P	Door Seal Clamp	
12	N/A	Foam Tape	Front panel door opening
13	800438	Wire Clamp Ring	
14	800346	Extension Spring	
15	685460	Door Hinge Assembly	
16	02916	Screw	
17	M400017	Washer	
18	52566	Nut	
19	503661	Screw	
20	685470	Hinge Plate	
21	685862	Screw	
22	N/A	Foam Tape	1 inch by 26 inches
23	510069WP	Access Panel	White
	510069LP	Access Panel	Almond
	510069QP	Access Panel	Bisque
24	N/A	Door Bezel	Replace using 800435*P Front Panel Assembly
25	685846	Nut	
26	685438	Door Handle	
27	51236	Nut	
28	N/A	Bumper	
29	685430	Locking Catch	
30	801993	Screw	
31	800211	Door Switch	

* Add Letter To Designate Color. L - Almond Q - Bisque W - White

N/A = Part no longer available

Front Panel, Newer Style Door Assembly and Door Seal



H134P_800167

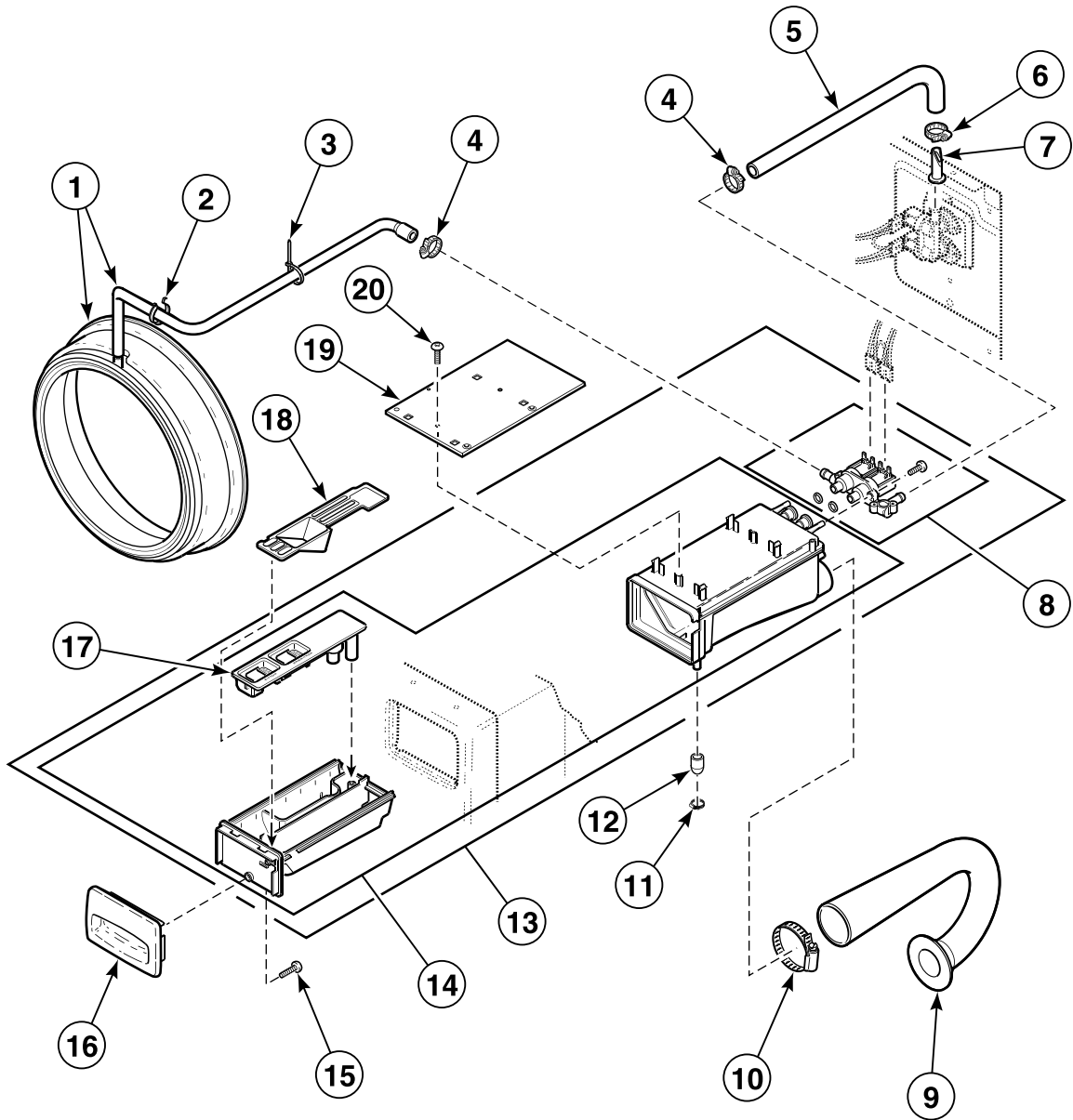
Front Panel, Newer Style Door Assembly and Door Seal

REF	PART NO.	DESCRIPTION	COMMENTS
1	800341W	Door Bezel	White
	800341L	Door Bezel	Almond
	800341Q	Door Bezel	Bisque
2	800342	Door Handle	
3	36020	Nut	
4	685846	Nut	
5	800340	Inner Door Bezel	
6	800528	Screw	
7	801993	Screw	
8	685430	Locking Catch	
9	800548	Screw	
10	800339	Door Hinge	
11	801019	Screw	
12	23951	Nut	
13	800343P	Door Glass	
14	800906	Hold-Down Clip	
15	56079	Panel Locator	
16	39733	Screw	
17	685429	Door Latch/Switch Assembly	
18	800232	Door Seal and Hose Assembly	
19	39037	Cable Tie	
20	36801	Hose Clamp	
21	685743P	Door Seal Clamp	
22	800438	Wire Clamp Ring	
23	800346	Extension Spring	
24	802412	Hinge Plate	
25	503661	Screw	
26	N/A	Foam Tape	
27	685368	Access Panel Damper	1 inch by 26 inches
28	801045	Screw	
29	510069WP	Access Panel	White
	510069LP	Access Panel	Almond
	510069QP	Access Panel	Bisque
30	800336WP	Front Panel	White
	800336LP	Front Panel	Almond
	800336QP	Front Panel	Bisque
31	800211	Door Switch	
32	800436WP	Door Assembly	White; Includes items 1-14
	800436LP	Door Assembly	Almond; Includes items 1-14
	800436QP	Door Assembly	Bisque; Includes items 1-14

* Add Letter To Designate Color. L - Almond Q - Bisque W - White

N/A = Part no longer available

Dispenser Assembly

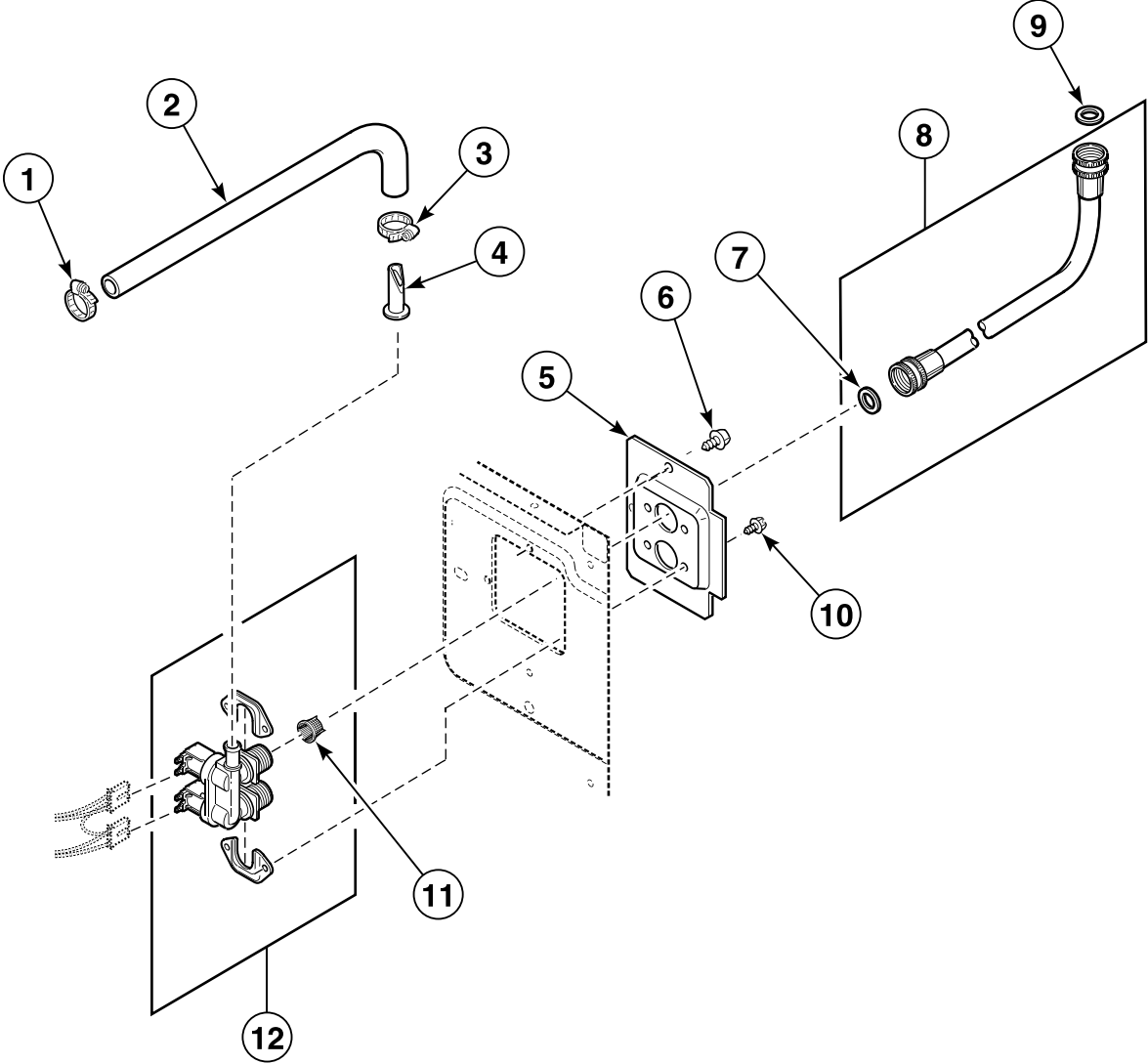


FLW820P_800167

Dispenser Assembly

REF	PART NO.	DESCRIPTION	COMMENTS
1	800232	Door Seal and Hose Assembly	
2	687500	Wire Clip	
3	39037	Cable Tie	
4	36801	Hose Clamp	
5	801464	Valve-to-Dispenser Inlet Hose	
6	800803	Hose Clamp	
7	34500	Backflow Preventer	
8	685766P	Valve Kit	
9	800331	Dispenser-to-Tub Hose	
10	685725	Hose Clamp	
11	F200206	Hose Clamp	Use if pump-to-dispenser hose is removed
12	801746	Cap	Use if pump-to-dispenser hose is removed
13	685756P	Dispenser	Includes items 8, 14 and 17
14	801476P	Dispenser Assembly	Includes item 17
15	800548	Screw	
16	685715W	Dispenser Drawer Front	White
	685715L	Dispenser Drawer Front	Almond
	685715Q	Dispenser Drawer Front	Bisque
17	685716	Insert	
18	800899	Detergent Cover	
19	801024	Dispenser Plate	
20	801001	Screw	

Mixing Valve and Fill Hose

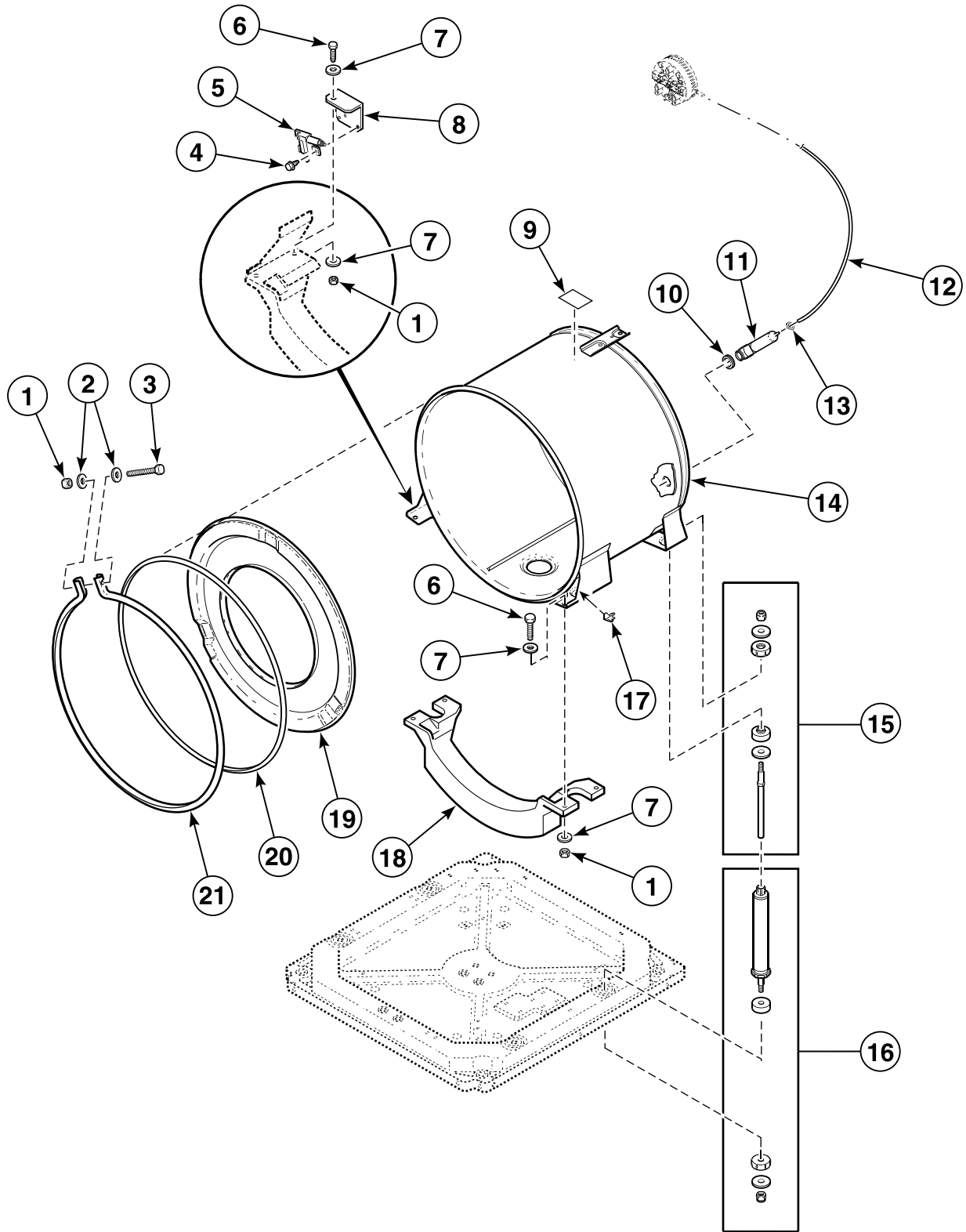


H077P_800167

Mixing Valve and Fill Hose

REF	PART NO.	DESCRIPTION	COMMENTS
1	36801	Hose Clamp	
2	801464	Valve-to-Dispenser Inlet Hose	
3	800803	Hose Clamp	
4	34500	Backflow Preventer	
5	800323	Mixing Valve Plate	
6	503661	Screw	
7	20290	Washer	
8	28330P	Fill Hose Kit	Includes 2 of item 7
9	20290	Washer	
	F270300	Filter Screen	
	802254	Washer	Water pressure reducer; Available for water pressure up to but not exceeding 120 psi
10	501086	Screw	
11	F270200	Strainer	
12	802220P	Mixing Valve	

Outer Tub, Front and Clamp Ring

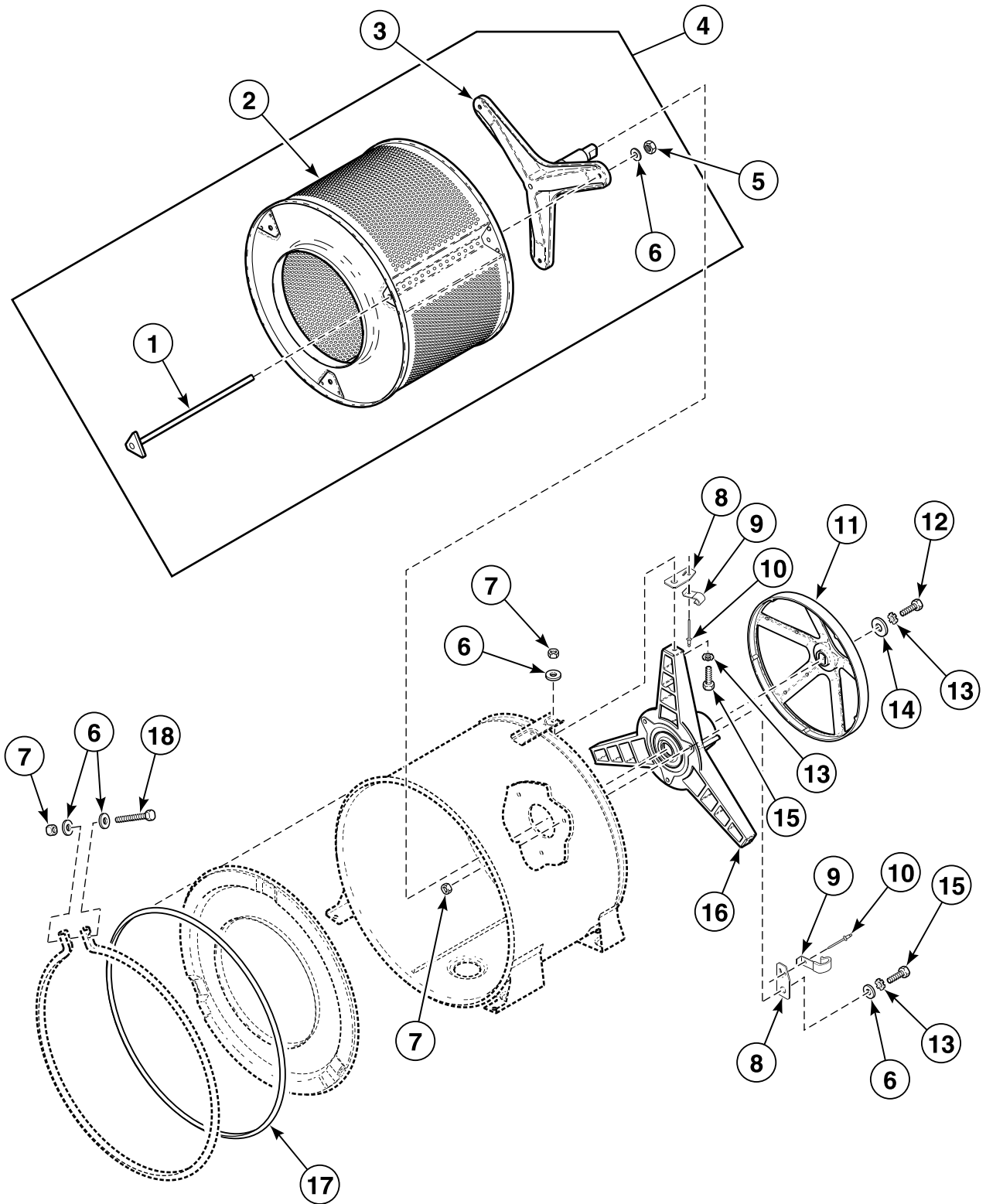


FLW866P_800167

Outer Tub, Front and Clamp Ring

REF	PART NO.	DESCRIPTION	COMMENTS
1	800452	Nut	
2	800457	Washer	
3	800462	Screw	
4	503661	Screw	
5	801006	Out-of-Balance Switch Assembly	
6	800461	Screw	
7	M400081	Washer	
8	800663	Switch Mounting Bracket	
9	500049	Warning Label	
10	29175	Grommet	
11	30907	Pressure Bulb	
12	800648	Tubing	
13	39282	Hose Clamp	
14	801081P	Outer Tub Assembly	
15	800622P	Tub Shock Absorber Kit	
16	800623P	Base Shock Absorber Kit	
17	00161	Grounding Clip	
18	800205	Ballast Weight	
19	800430	Tub Front Assembly	
20	800432P	Tub Front Seal	
21	800312	Clamp Ring	

Inner Basket, Trunnion, Bearing Housing and Pulley

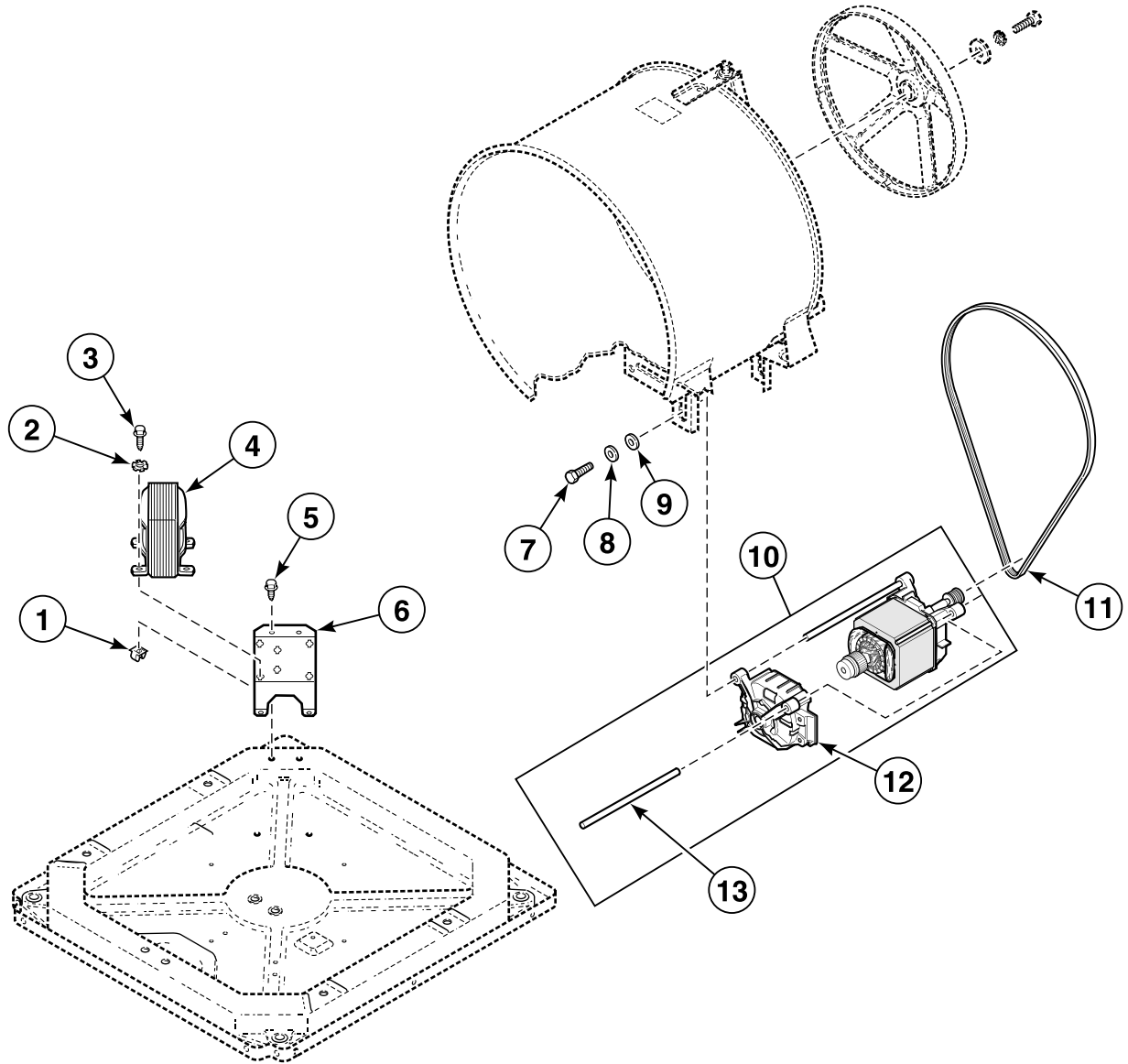


FLW865P_800167

Inner Basket, Trunnion, Bearing Housing and Pulley

REF	PART NO.	DESCRIPTION	COMMENTS
	27604P	Anti-Seize Compound	Pulley to inner basket shaft
	838P3	Hardware Kit	Includes (8) of item 6, (7) each of items 7 and 13, (6) of item 10, (1) each of items 12,14,17, 18 and 27604P Anti-Seize Compound
1	800666	Tension Rod Assembly	
2	800198P	Inner Basket Kit	Includes (3) each of items 1, 5, 6, and 838P3 Hardware Kit
3	800749P	Trunnion Shaft and Hardware Kit	Includes (3) each of items 1, 5, 6, and 838P3 Hardware Kit
4	800429P	Inner Basket Assembly	Includes items 2, 3, (3) each of items 1, 5, 6, and 838P3 Hardware Kit
5	685844	Nut	
6	800457	Washer	
7	800452	Nut	
8	800552	Hose Mounting Plate	
9	800553	Hose Clip	
10	685847	Pop Rivet	
11	800866	Driven Pulley	
12	685831	Screw	Left hand thread
13	M403958	Washer	
14	800464	Washer	
15	M400043	Screw	
16	800428P	Bearing Housing Kit	Includes 838P3 Hardware Kit
17	800432P	Tub Front Seal	
18	800462	Screw	

Motor and Belt



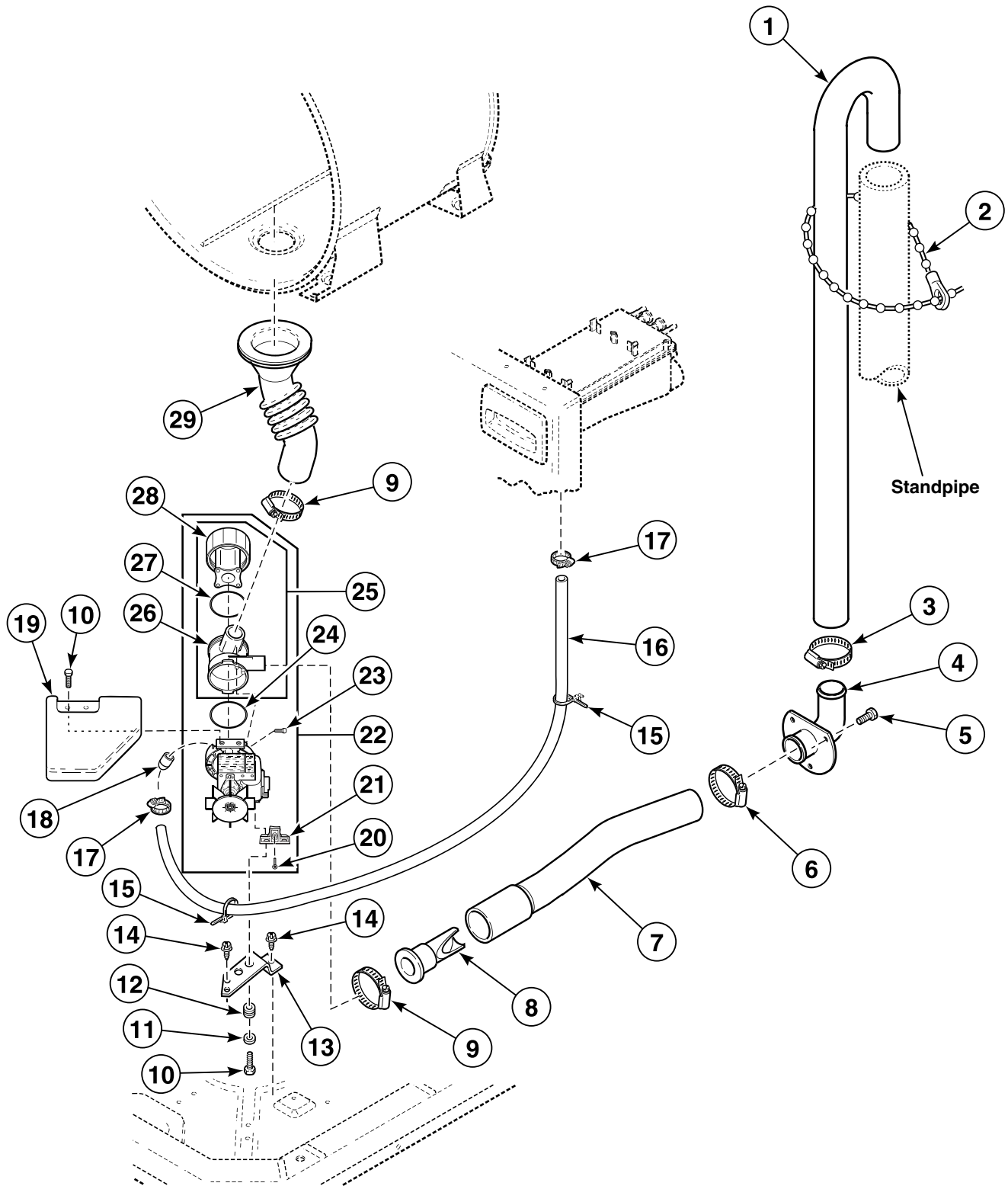
FLW937P_800167

Motor and Belt

REF	PART NO.	DESCRIPTION	COMMENTS
1	70030501	Expansion Clip	
2	M400014	Washer	
3	M411072	Screw	
4	686513P	Transformer	
5	503661	Screw	
6	N/A	Transformer Bracket	
7	M400057	Screw	
8	02834	Washer	
9	M400080	Washer	
10	685639P	Motor Assembly	230 Volt; Includes items 12 and 2 of 13
11	800319P	Drive Belt	
12	738P3	Motor Brush Kit	
13	801062	Motor Mount Rod	

N/A = Part no longer available

Hoses and Pump

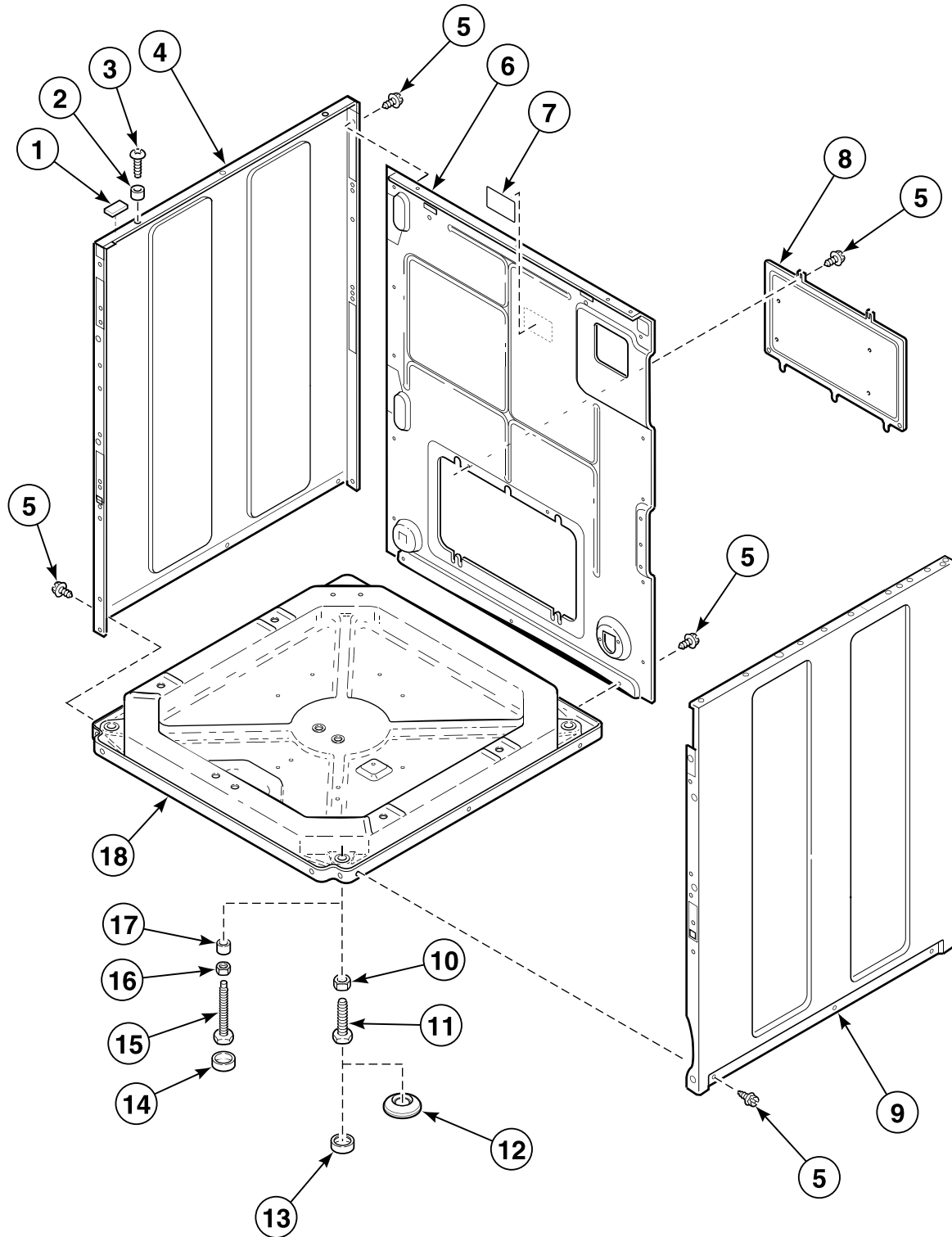


FLW974P_800167

Hoses and Pump

REF	PART NO.	DESCRIPTION	COMMENTS
	27615P	Sealant	Tub-to-pump hose to outer tub
1	27154	Drain Hose	
2	33489	Standpipe Strap	
3	20211	Hose Clamp	
4	35766	Drain Hose Elbow	
5	52909	Screw	
6	20391	Hose Clamp	
7	685737	Pump-to-Elbow Hose	
8	800310	Backflow Preventer	
9	36802	Hose Clamp	
10	38096	Screw	Metric; Use with 685703 Drain Pump
	501285	Screw	Use with 801015 Drain Pump
11	800465	Washer	Use with 685703 and 801015 Drain Pump
12	802218	Grommet	Use with 685703 and 801015 Drain Pump
13	802219	Pump Bracket	Use with 685703 and 801015 Drain Pump
	802626	Pump Mount Bracket	Use with 802623 Drain Pump
14	503661	Screw	
15	38663	Wire Tie	Push mount
16	800424	Pump-to-Dispenser Hose Assembly	Use with 685703 Drain Pump
17	F200206	Hose Clamp	Use with 685703 Drain Pump
18	801112	Nozzle Cap	Use with 685703 Drain Pump
19	38067	Pump Shield	Use with 685703 Drain Pump
20	802430	Screw	Use with 801015 and 802623 Drain Pump
21	802432	Pump Mount	Use with 801015 Drain Pump
22	888P3	Drain Pump Kit	Includes wire harness adapter
23	802431	Screw	Use with 801015 and 802623 Drain Pump
24	802487	O-Ring	Use with 685703 Drain Pump
	802429	O-Ring	Use with 801015 and 802623 Drain Pump
25	801209	Pump Housing Assembly	Includes items 25-27; Use with 685703 Drain Pump
	802434	Pump Housing Assembly	Includes items 25-27; Use with 801015 and 802623 Drain Pump
26	801208	Pump Housing	Use with 685703 Drain Pump
	802428	Pump Housing	Use with 801015 and 802623 Drain Pump
27	801207	O-Ring	Use with 685703 Drain Pump
	802427	Gasket	Use with 801015 and 802623 Drain Pump
28	801206P	Lid Assembly	Includes filter; Use with 685703 Drain Pump
	802426P	Lid Assembly	Includes filter; Use with 801015 and 802623 Drain Pump
29	800317	Tub-to-Pump Hose	

Base, Panels and Rear Panel

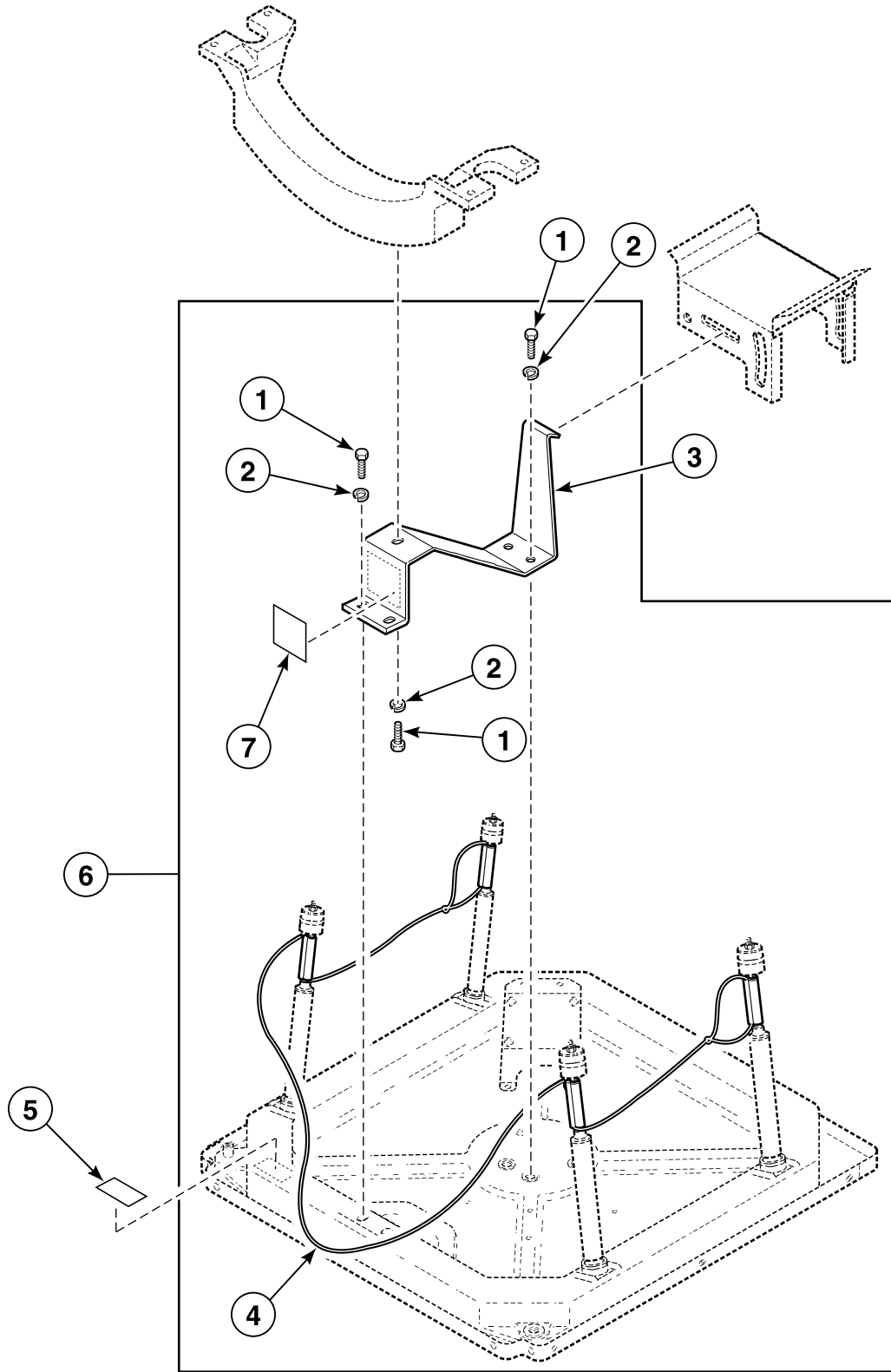


FLW975P_800167

Base, Panels and Rear Panel

REF	PART NO.	DESCRIPTION	COMMENTS
1	56128	Bumper Pad	
2	56079	Panel Locator	
3	39733	Screw	
4	800004WP	Cabinet Panel Kit	White; Left; Includes corner gusset with hardware
	800004LP	Cabinet Panel Kit	Almond; Left; Includes corner gusset with hardware
	800004QP	Cabinet Panel Kit	Bisque; Left; Includes corner gusset with hardware
5	503661	Screw	
6	800010	Rear Panel	Includes corner gusset with hardware
7	685928	Screw Label	Left hand thread
8	801012	Rear Service Panel	
9	800005WP	Side Panel Kit	White; Right; Includes 801024 Dispenser Plate with hardware
	800005LP	Side Panel Kit	Almond; Right; Includes 801024 Dispenser Plate with hardware
	800005QP	Side Panel Kit	Bisque; Right; Includes 801024 Dispenser Plate with hardware
10	21899	Nut	For 1/2 inch leveling leg
11	34319	Leveling Leg	1/2 inch leveling leg
12	155P3	Anchor	Includes 4 rubber discs with adhesive backing
13	34318	Rubber Foot	For 1/2 inch leveling leg
14	70282	Rubber Foot	For 3/8 inch leveling leg
15	800014	Leveling Leg	3/8 inch leveling leg
16	20274	Nut	For 3/8 inch leveling leg
17	800015	Leveling Leg Spacer	For 3/8 inch leveling leg
18	802245	Base Assembly	Uses 1/2 inch leveling leg

Shipping Materials

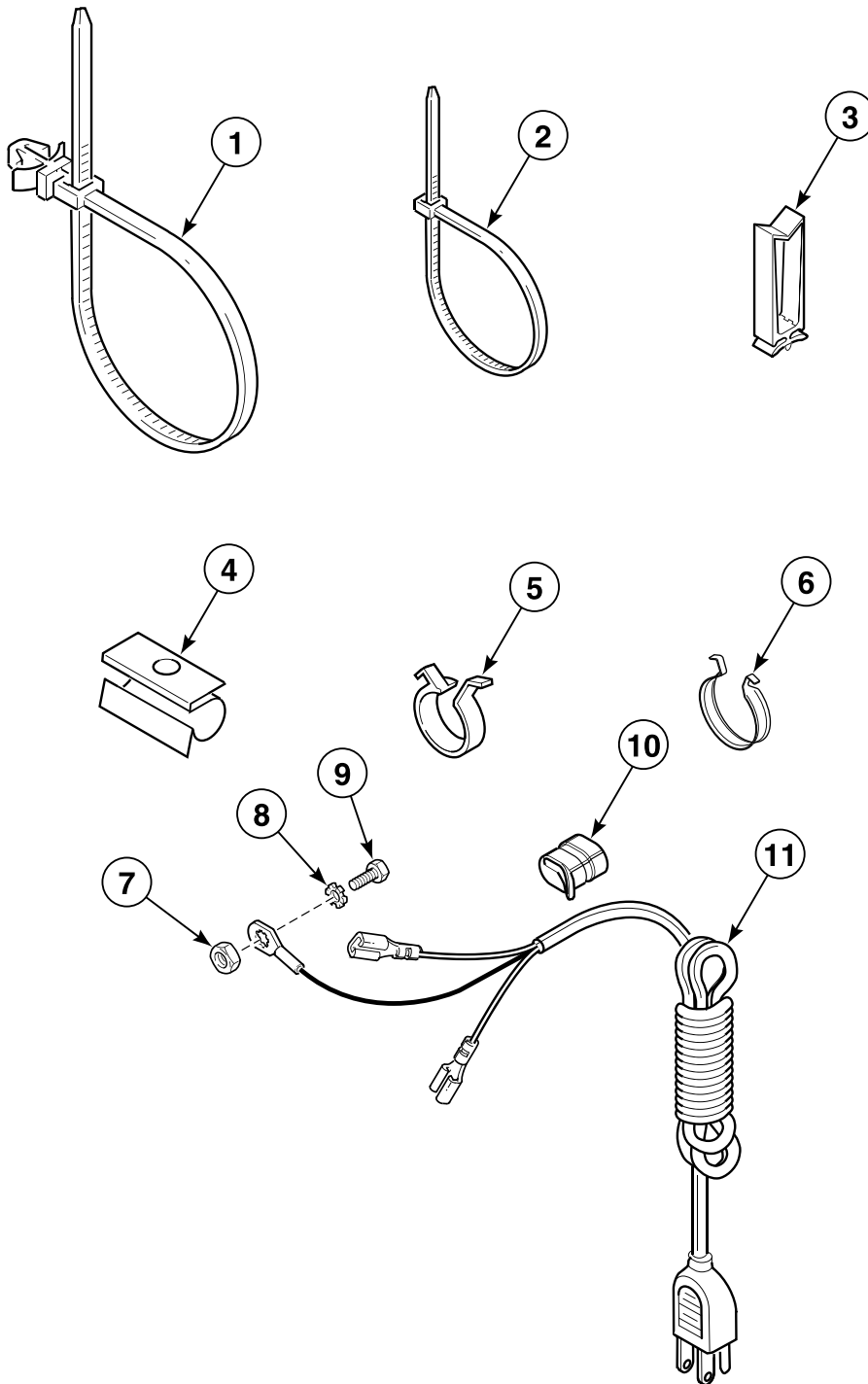


H087P_800167

Shipping Materials

REF	PART NO.	DESCRIPTION	COMMENTS
1	M400043	Screw	
2	M400014	Washer	
3	685911	Shipping Bracket	
4	800364P	Shipping Cord and Brace Assembly	
5	500049	Warning Label	
6	728P3	Shipping Materials Kit	Includes items 1-4 and 7
7	686901	Shipping Bracket Label	

Wire Ties, Harness Clips and Lead-In Cord



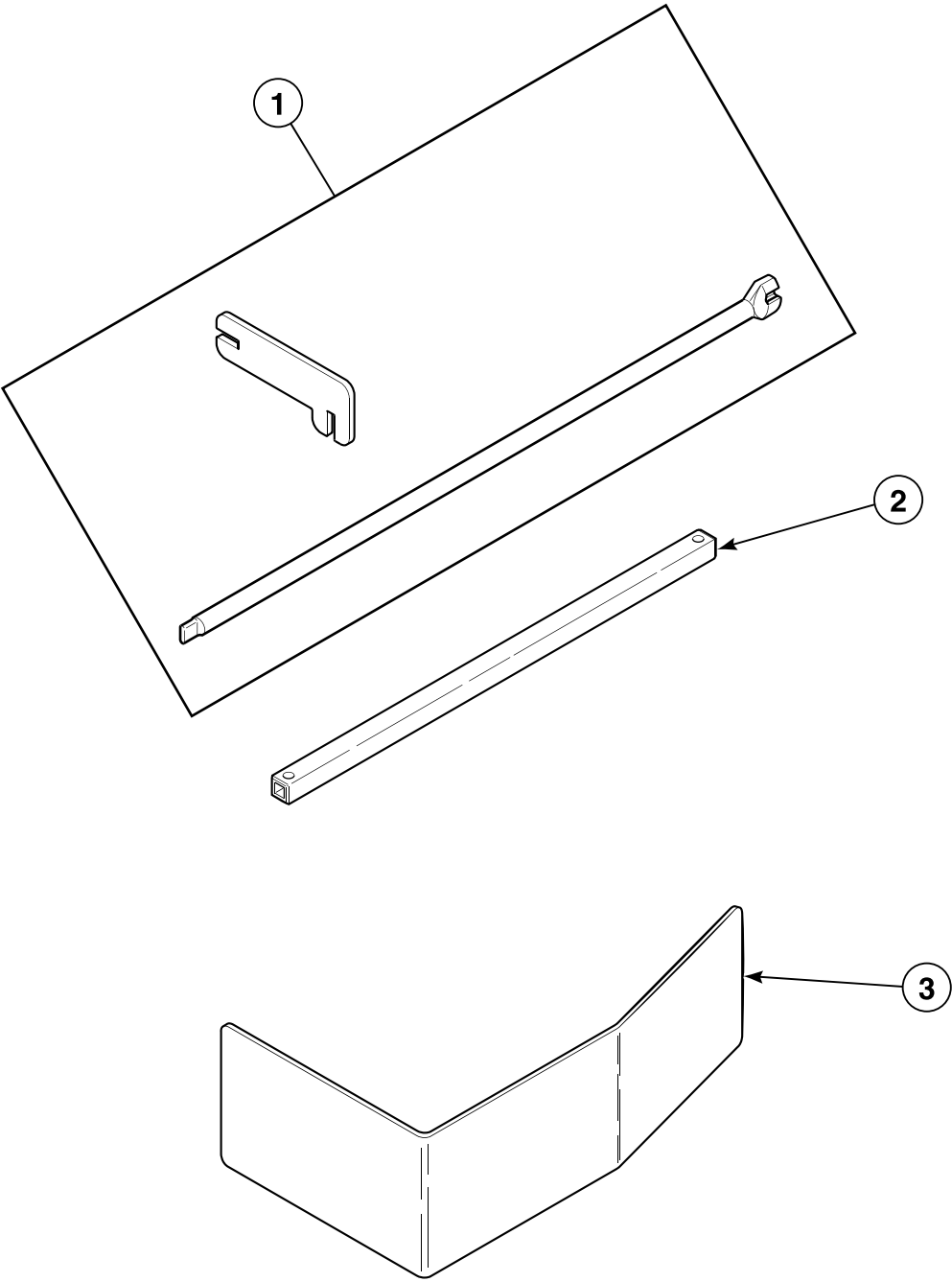
H130P_800167

Wire Ties, Harness Clips and Lead-In Cord

REF	PART NO.	DESCRIPTION	COMMENTS
1	38663	Wire Tie	Push mount
2	55881	Harness Strap	
3	36274	Wire Clip	
4	36985	Hose Clip	
5	504034	Wire Clip	Small
6	687500	Wire Clip	Large
7	03673	Nut	
8	03815	Washer	
9	N/A	Screw	
10	38384	Strain Relief	
11	34458	Lead-In Cord	

N/A = Part no longer available

Special Tools



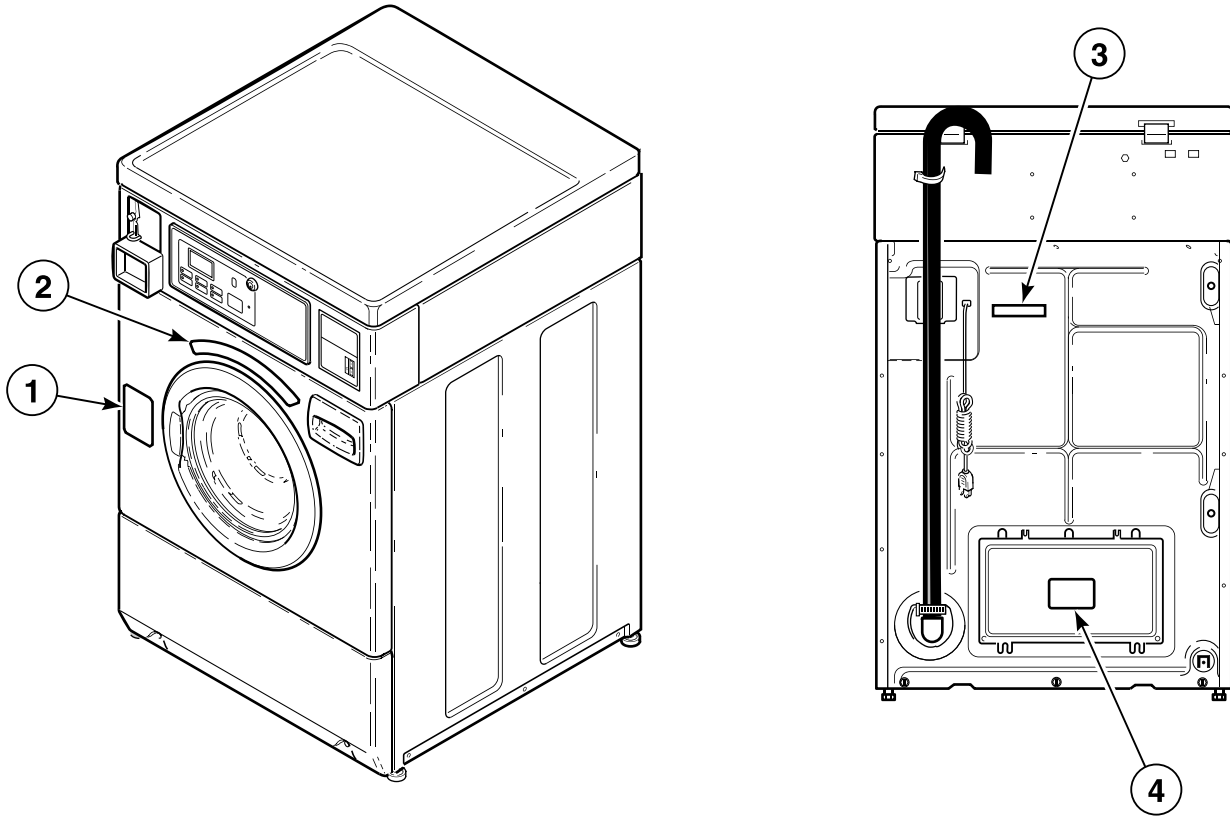
FLW874P_800167

Special Tools

REF	PART NO.	DESCRIPTION	COMMENTS
1	CK096	Mounting Tool Kit	Use to install and remove electronic coin drop
2	310P4	Ratchet Extension Tool	1/4 inch; Use to install and remove non-electronic coin drop
3	318P4	Dispenser Drawer Tool	Use to remove dispenser drawer

Labels (Drawing 1 of 2)

Models HWF561*E1102, HWF761*E1102, SWF561*E, SWF661*E and SWF761*E



H068P_800167

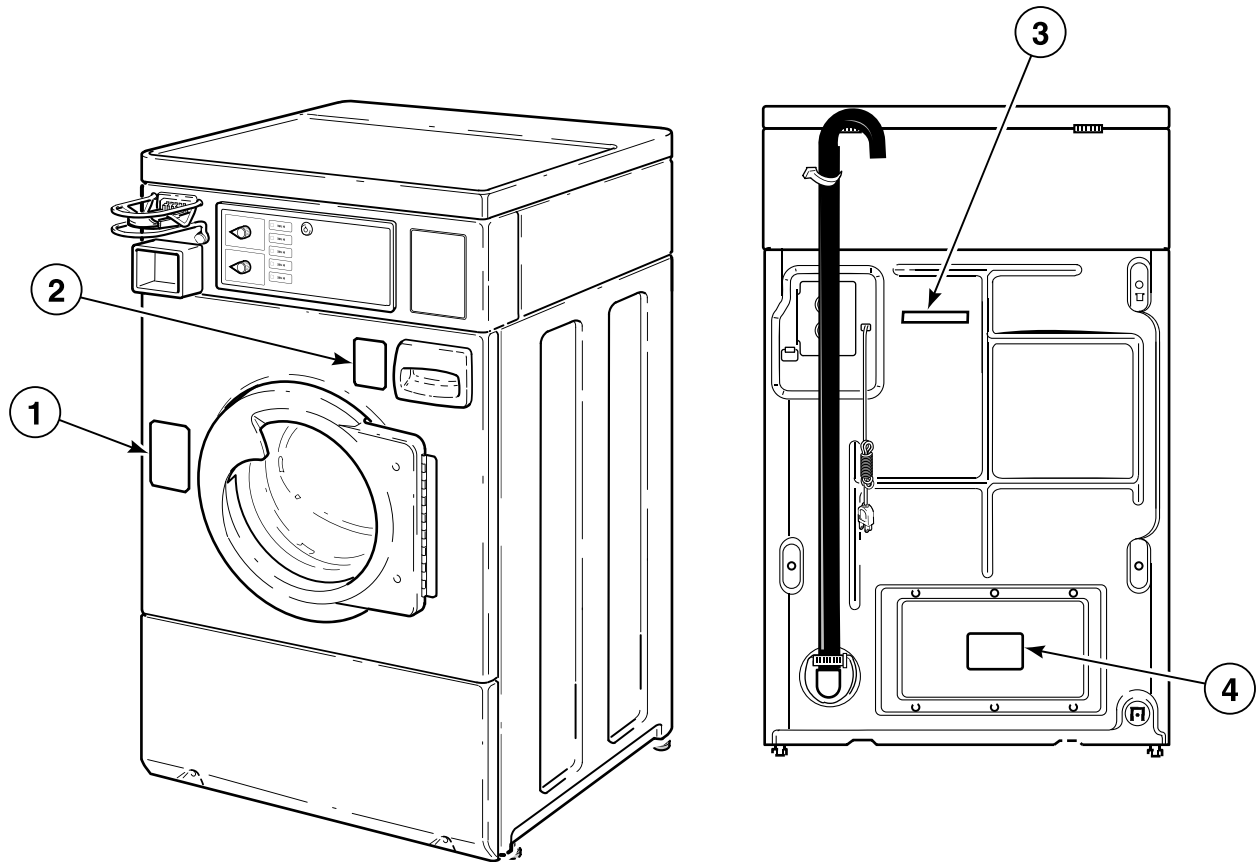
Labels (Drawing 1 of 2)

REF	PART NO.	DESCRIPTION	COMMENTS
1	685947	Door Locked Label	
2	800420	Oversudsing Label	English
	800840	Oversudsing Label	Quebec French
	800621	Oversudsing Label	Spanish
3	505281	Disconnect Power Warning Label	English
	500316	Warning Label	Quebec French
4	500049	Warning Label	English
	500314	Warning Label	Quebec French

* Add Letter To Designate Color. L - Almond Q - Bisque W - White

Labels (Drawing 2 of 2)

All Models Except HWF561*E1102, HWF761*E1102, SWF561*E, SWF661*E and SWF761*E



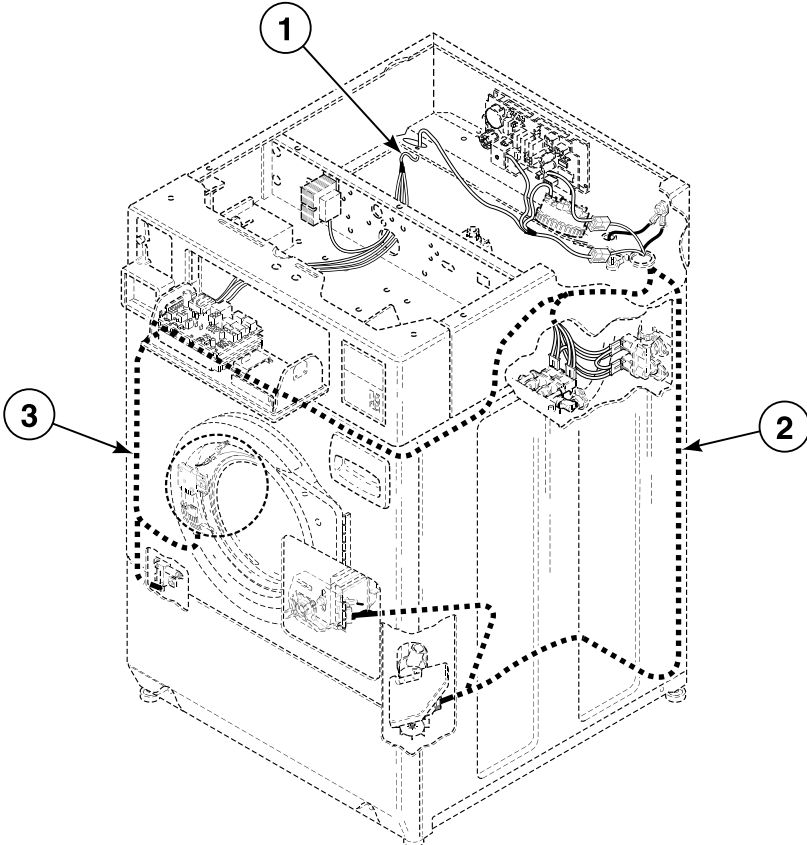
H132P_800167

Labels (Drawing 2 of 2)

REF	PART NO.	DESCRIPTION	COMMENTS
1	685947	Door Locked Label	
2	800420	Oversudsing Label	English
	800840	Oversudsing Label	Quebec French
	800621	Oversudsing Label	Spanish
3	505281	Disconnect Power Warning Label	English
	500316	Warning Label	Quebec French
4	500049	Warning Label	English
	500314	Warning Label	Quebec French

* Add Letter To Designate Color. L - Almond Q - Bisque W - White

Wire Harnesses and Wires



FLW936P_800167

Wire Harnesses and Wires

REF	PART NO.	DESCRIPTION	COMMENTS
	45001	18 Gauge Wire	Black; Order wire by foot and terminals and connectors as required
	45380	12 Gauge Wire	Orange; Order wire by foot and terminals and connectors as required
1	N/A	Control Harness	Models HWF561*E1102, HWF561*H1102, HWF761*E1102 and SWF761*E
	687585P	Wire Harness Assembly	Models SWF561*E, SWF661*E, SWF661*H and SWF761*H
	800123P	Control Wire Harness Assembly	All other models
2	687579P	Harness Assembly	
3	687574P	Base Wire Harness	

* Add Letter To Designate Color. L - Almond Q - Bisque W - White

N/A = Part no longer available

NOTE: Individual wires are not available separately. Order complete harness, or order wire by the foot. When applying terminals to wires, it is recommended that the terminals be soldered to the wires.

Parts Index

A

Access Panel	
510069LP	23, 25
510069QP	23, 25
510069WP	23, 25
Access Panel Damper	
685368	25
Anchor Kit	
155P3	39
Anti-Seize Compound	
27604P	33
Audit Switch Bracket	
800379	11

B

Backflow Preventer	
34500	27, 29
800310	37
Ballast Weight	
800205	31
Base Assembly	
802245	39
Base Shock Absorber Kit	
800623P	31
Base Wire Harness	
687574P	51
Bearing Housing Assembly	
800428P	33
Bolt	
29651	7
512505	19
Bumper Pad	
56128	7, 39

C

Cabinet Panel Kit	
800004LP	39
800004QP	39
800004WP	39
Cable Tie	
39037	25, 27
Cap	
801746	27
Card Insert Overlay	
511544	21
511548	21
Card Reader	
512473	19
Card Reader and Bracket Assembly	
510068P	21
Card Reader Instruction Overlay	
38192	19
Card Reader Kit	
876P3	19
885P3	19

Card Reader Overlay	
800230	21
Card Reader Wire Harness Assembly	
686581	19
800125P	21
Clamp Ring	
800312	31
Clip	
201572	15
Coin Drop	
38479P	13
Coin Drop Assembly	
200578P	13
Coin Drop Harness	
800212P	13
Coin Drop Wire Harness	
201104	15
Coin Identification Paper	
38725	13, 15
Communication Board	
210095P	11
Communication Connector	
210099	11
Control Assembly	
800303P	5
802248P	5
Control Kit	
800772P	5
Control Panel and Bracket Assembly	
685061W	5
800035L	5
800035Q	5
800035W	5
Control Panel Overlay	
800033	5
800413	5
800416	5
Control Shield	
801371	9, 11
Control Wire Harness Assembly	
800123P	51

D

Detergent Cover	
800899	27
Diagnostic Wire Harness Assembly	
800374	5
Disconnect Power Warning Label	
505281	47, 49
Dispenser	
685756P	27
Dispenser Assembly	
801476P	27
Dispenser Drawer Front	
685715L	27
685715Q	27
685715W	27
Dispenser Drawer Tool	
318P4	45

N/A items do not appear in index.

Dispenser Plate	
801024	27
Dispenser-to-Tub Hose	
800331	27
Door Assembly	
800436LP	25
800436QP	25
800436WP	25
Door Bezel	
800341L	25
800341Q	25
800341W	25
Door Glass	
800343P	25
Door Handle	
685438	23
800342	25
Door Hinge	
800339	25
Door Hinge Assembly	
685460	23
Door Latch/Switch Assembly	
685429	23, 25
Door Locked Label	
685947	23, 47, 49
Door Seal and Hose Assembly	
800232	23, 25, 27
Door Seal Clamp	
685743P	23, 25
Door Switch	
800211	23, 25
Door Switch Bracket	
38087	9
Drain Hose	
27154	37
Drain Hose Elbow	
35766	37
Drain Pump Kit	
888P3	37
Drive Belt	
800319P	35
Driven Pulley	
800866	33
Dual Coin Harness	
800213P	13
Dual Overlay	
39073	13

E

Electronic Coin Drop Assembly	
70294101P	15
Electronic Coin Drop Kit	
CK095	15
Expansion Clip	
70030501	35
Extension Spring	
800346	23, 25

F

Fill Hose Kit	
28330P	29
Filter Screen	
F270300	29
Front Overlay	
801050	5
801053	5
Front Panel	
800336LP	25
800336QP	25
800336WP	25
Front Panel Assembly	
800435LP	23
800435QP	23
800435WP	23
Fuse	
F350138	9, 11

G

Gasket	
802427	37
Grommet	
29175	31
802218	37
Ground Clip	
00161	31

H

Hardware Kit	
838P3	33
Harness	
512501	19
512503	19
Harness Assembly	
687579P	51
Harness Strap	
55881	23, 43
Hinge	
511036	7
Hinge Plate	
685470	23
802412	25
Hold-Down Clip	
800906	25
Hose Clamp	
F200206	27, 37
20211	37
20391	37
36801	23, 25, 27, 29
36802	37
39282	31
685725	27
800803	27, 29
Hose Clip	
36985	9, 11, 43
800553	33

Hose Mounting Plate 800552	33
-------------------------------------	----

I

Inlet Screen F270200	29
Inner Basket Assembly 800429P	33
Inner Basket Kit 800198P	33
Inner Door Bezel 800340	25
Insert 685716	27
Instruction Label 685942	13, 17, 19, 21

K

Key 54612	5
--------------------	---

L

Lead-In Cord 34458	43
Leveling Leg 34319	39
800014	39
Leveling Leg Spacer 800015	39
Lid Assembly 801206P	37
802426P	37
Light 32464	5
Lock Cam 27261	5
Lock Kit 27260P	5
Locking Catch 685430	23, 25

M

Mixing Valve 802220P	29
Mixing Valve Plate 800323	29
Motor Assembly 685639P	35
Motor Brush Kit 738P3	35
Motor Control Assembly 687539P	9, 11
Motor Mount Rod 801062	35

Mounting Tool Kit CK096	45
----------------------------------	----

Multiplier Assembly 38571	13
------------------------------------	----

N

Network Board Assembly 210016P	11
Network Cable Wire Harness Assembly 800216	11
Network Wire Harness Assembly 800217	11
Nozzle Cap 801112	37
Nut 03673	43
201216	15
20274	39
21899	39
23951	25
29786	13
29796	7
36020	7, 25
51236	23
52566	23
685844	33
685846	23, 25
70054	21
800452	31, 33

O

Opto Coupler 200674P	13
O-Ring 801207	37
802429	37
802487	37
Outer Tub Assembly 801081P	31
Out-of-Balance Switch Assembly 801006	31
Overlay 201091	15
685510	5
Oversudsing Label 800420	47, 49
800621	47, 49
800840	47, 49

P

Panel Locator 56079	13, 17, 19, 21, 23, 25, 39
PC Board Standoff 210098	11
Pop Rivet 685847	7, 33
Power Supply 512496	19
512498	19

N/A items do not appear in index.

Pressure Bulb	
30907	31
Pressure Switch	
800468P	9, 11
Programming Card	
512499P	19
Pump Bracket	
802219	37
Pump Housing	
801208	37
802428	37
Pump Housing Assembly	
801209	37
802434	37
Pump Mount	
802432	37
Pump Mount Bracket	
802626	37
Pump Shield	
38067	37
Pump-to-Dispenser Hose Assembly	
800424	37
Pump-to-Elbow Hose	
685737	37

R

Ratchet Extension Tool	
310P4	45
Rear Panel	
800010	39
Rear Service Panel	
801012	39
Rivet	
685847	7
Rubber Foot	
34318	39
70282	39

S

Screw	
M400043	33, 41
M400057	35
M411072	35
02916	23
23008	7
36048	7
38096	37
39733	13, 17, 19, 21, 23, 25, 39
501086	29
501285	37
501524	5, 9, 11, 19
502431	7
503661	9, 11, 23, 25, 29, 31, 35, 37, 39
503688	9, 11, 13, 17, 19, 21
52909	37
685831	33
685862	23
800461	31
800462	31, 33
800528	25
800548	23, 25, 27

801001	27
801019	25
801045	25
801993	23, 25
802430	37
802431	37
Screw Label	
685928	39
Sealant	
27615P	37
Security Cabinet Front Assembly	
505542W	19
505699LP	17, 19
505699WP	17, 19
511209L	21
511209Q	21
511209WP	21
511633LP	13
511633QP	13
511633WP	13
Shipping Bracket	
685911	41
Shipping Bracket Label	
686901	41
Shipping Cord and Brace Assembly	
800364P	41
Shipping Materials Kit	
728P3	41
Side Panel Kit	
800005LP	39
800005QP	39
800005WP	39
Single Overlay	
38717	13
Snap Bushing	
M402542	9, 11
503235	9, 11
Standpipe Strap	
33489	37
Strain Relief	
38384	43
Switch	
504570	9, 11
Switch Mounting Bracket	
800663	31

T

Tension Rod Assembly	
800666	33
Top and Gusset Assembly	
802247LP	7
802247QP	7
802247WP	7
Top Mounting Bracket	
504228	7
Transformer	
210018P	11
210019P	11
686513P	35
Trunnion Shaft and Hardware Kit	
800749P	33
Tub Front Assembly	
800430	31

N/A items do not appear in index.

Tub Front Seal	
800432P	31, 33
Tub Shock Absorber Kit	
800622P	31
Tubing	
800648	31
Tub-to-Pump Hose	
800317	37

V

Valve Kit	
685766P	27
Valve-to-Dispenser Inlet Hose	
801464	27, 29

W

Warning Label	
500049	31, 41, 47, 49
500314	47, 49
500316	47, 49
Washer	
M400014	35, 41
M400017	23
M400080	35
M400081	31
M403958	33
02834	35
03815	43
20290	29
800457	31, 33
800464	33
800465	37
802254	29
Wire Clamp Ring	
800438	23, 25
Wire Clip	
36274	43
504034	43
687500	27, 43
Wire Guard	
201595P	13
Wire Harness Assembly	
687585P	51
Wire Tie	
38663	37, 43
Wire, 12 Gauge	
45380	51
Wire, 18 Gauge	
45001	51
Wrapper and Channel Assembly	
505753LP	13, 17, 19, 21
505753QP	13, 17, 19, 21
505753WP	13, 17, 19, 21
