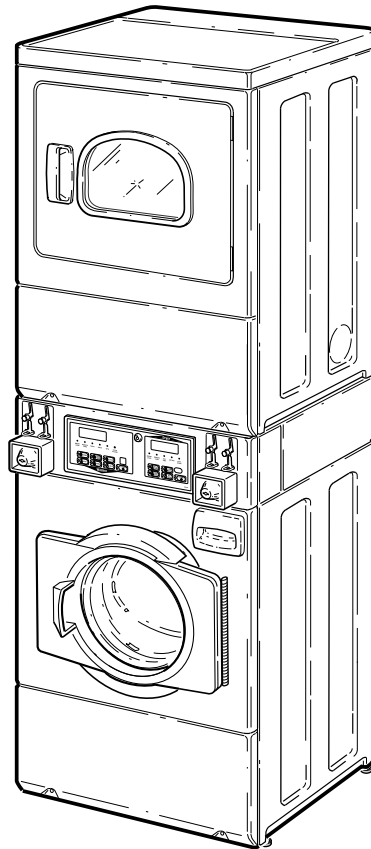


# Commercial Stacked Washer/ Dryers

Refer to Page 3 for Model Numbers



SWD445C\_801773



# Table of Contents

Title	Page
Parts Ordering Information.....	2
Serial Plate Location .....	2
Model Identification .....	4
Control Panel and Controls.....	5
Control Cabinet Controls.....	7
Electrical Access Panel, Filters and Terminal Block .....	9
Cabinet Wrapper and Coin Drop.....	11
Electronic Coin Drop .....	13
Cabinet Wrapper and Card Reader .....	15
Control Cabinet and Controls.....	17
Electrical Access Panel, Filters and Terminal Block .....	19
Washer Front Panel and Door Assembly (Drawing 1 of 2).....	21
Washer Front Panel and Door Assembly (Drawing 2 of 2).....	23
Dispenser Assembly and Door Seal .....	25
Mixing Valve, Valve-to-Dispenser Inlet Hose and Fill Hose.....	27
Outer Tub, Front and Clamp Ring.....	29
Inner Basket, Trunnion, Bearing Housing and Pulley .....	31
Washer Motor and Belt .....	33
Drain Hoses and Valve .....	35
Hoses and Pump .....	37
Washer Base, Side Panels and Rear Panel .....	39
Junction Box .....	41
Wire Ties and Harness Clips .....	43
Dryer Loading Door with Window .....	45
Dryer Access Panel, Front Panel and Seal.....	47
Dryer Motor, Blower Fan and Belt.....	49
Front Bulkhead, Air Duct, Felt Seal and Cylinder .....	51
Rear Bulkhead, Felt Seal, Cylinder Roller and Terminal Block.....	53
Heater Duct and Element Assembly (Drawing 1 of 2).....	55
Heater Duct and Element Assembly (Drawing 2 of 2).....	57
Heater Duct Assembly .....	59
Gas Valve, Igniter and Gas Conversion Kits.....	61
Dryer Cabinet, Exhaust Duct and Base .....	63
Dryer Power Cord .....	65
Dryer Motor Connection Block, Terminal Extractor Tools.....	67
Terminals .....	69
Shipping Materials .....	71
Labels .....	73
Special Tools .....	75
Wire Harnesses and Wires .....	77
Parts Index.....	81

© Copyright 2015, Alliance Laundry Systems LLC

All rights reserved. No part of the contents of this book may be reproduced or transmitted in any form or by any means without the expressed written consent of the publisher.

## Parts Ordering Information

If literature or replacement parts are required, contact the source from whom the machine was purchased or contact Alliance Laundry Systems at (920) 748-3950 for the name and address of the nearest authorized parts distributor.

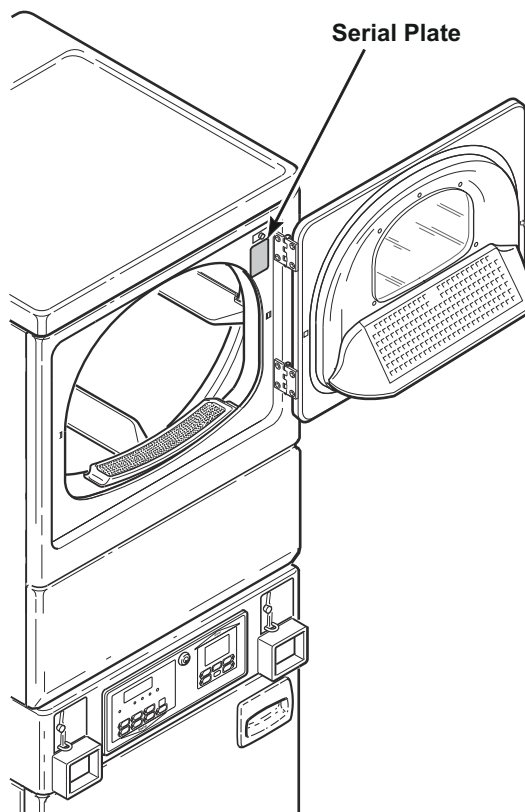
For technical assistance, call either of the numbers listed below:

(920) 748-3121 Ripon, Wisconsin

+32 56 41 20 54 Wevelgem, Belgium

## Serial Plate Location

When calling or writing about your product, be sure to mention model and serial numbers. Model and serial numbers are located on serial plate(s) as shown.



SWD1165P\_801773

## Model Identification

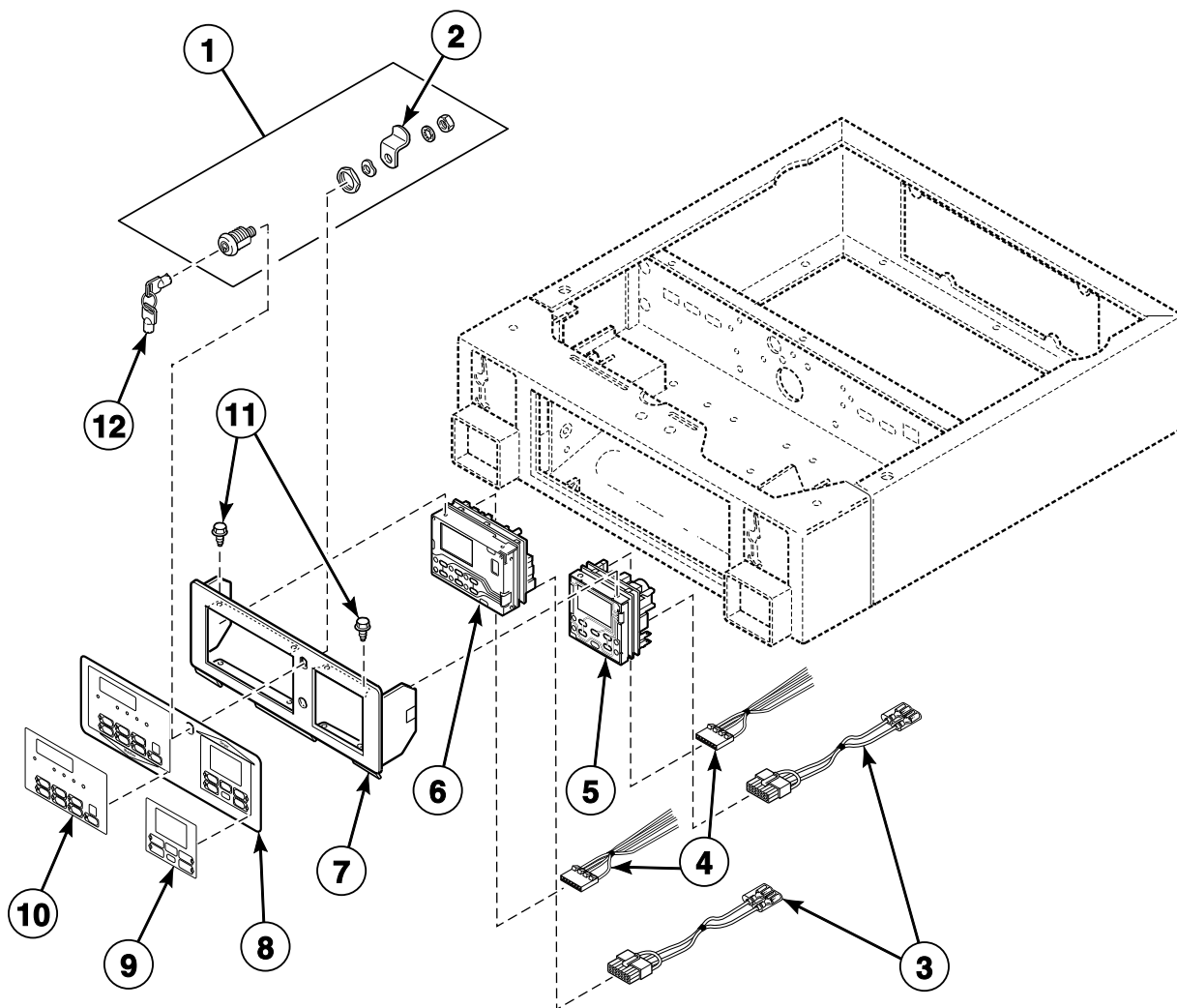
Information in this manual is applicable to these washer/dryer models:

BTEL15*N4065	HTGB19*N0902	STEA17*N4350
BTEL17*N4065	HTGT19*N0902	STEF17*N4350
BTEX15*N4065	HTGX19*N0902	STEX17*N3000
BTEX17*N4065	HTGY19*N0902	STEX17*N3020
HTEB17*N2802	HTGZ19*N0902	STEX17*N3069
HTET17*N2802	NTEL17*N4064	STEX17*N3300
HTEX17*N2802	NTEX17*N4064	STEX17*N4064
HTEX17*N2902	NTEX17*N4067	STEX17*N4350
HTEX17*N4064	NTGL19*N4067	STEX17*N5754
HTEY17*N2802	NTGX19*N4067	STEY17*N4064
HTEY17*N4064		STEY17*N5754
HTEZ17*N2802		STGX19*N3000
		STGX19*N3060
		STGX19*N3069

\* Add Letter To Designate Color. Q - Bisque W - White

# Control Panel and Controls

All Models Except BTEL15\*N4065, BTEL17\*N4065, NTEL17\*N4064 and NTGL19\*N4067



SWD1272P\_801773

## Control Panel and Controls

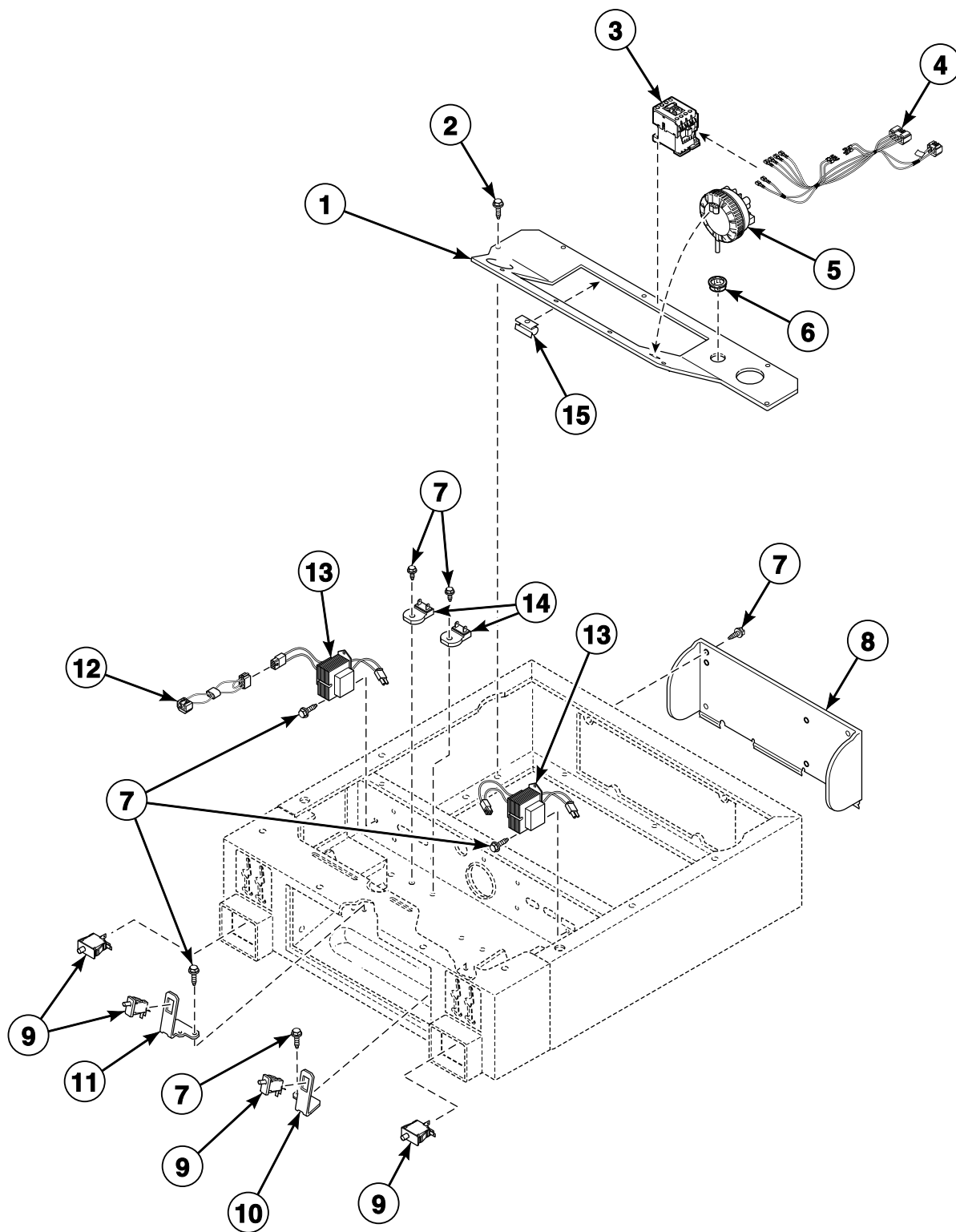
REF	PART NO.	DESCRIPTION	COMMENTS
1	27260P	Lock Kit	
2	27261	Lock Cam	
3	800374	Diagnostic Wire Harness Assembly	Models HTEY17*N2802, HTEY17*N4064, HTGY19*N0902, STEF17*N4350, STEY17*N4064 and STEY17*N5754
4	511478	Central Pay Harness	
5	505905P	Control Kit	Models HTEB17*N2802, HTGB19*N0902, STEA17*N4350 and STEF17*N4350
	511867P	Control Assembly	All other models
6	800772P	Control Kit	Models HTEB17*N2802, HTGB19*N0902, STEA17*N4350 and STEF17*N4350
	802400P	Control Assembly	Models BTEX15*N4065, BTEX17*N4065, HTEX17*N4064, HTEY17*N4064, NTEX17*N4064, NTEX17*N4067, NTGX19*N4067, STEX17*N4064, STEX17*N5754, STEY17*N4064 and STEY17*N5754
	803146P	Control Assembly	All other models
7	800034W	Control Panel and Bracket Assembly	
8	800026	Overlay	Model STEA17*N4350
	800027	Overlay	Model STEF17*N4350
	801054	Overlay	Models HTET17*N2802, HTEX17*N2802, HTEX17*N2902, HTEY17*N2802, HTEZ17*N2802, HTGT19*N0902, HTGX19*N0902, HTGY19*N0902 and HTGZ19*N0902
	801051	Overlay	Models STEX17*N3000, STEX17*N3300, STEX17*N4350, STGX19*N3000 and STGX19*N3060
	800894	Overlay	Models HTEB17*N2802 and HTGB19*N0902
	N/A	Overlay	Models HTEX17*N4064 and HTEY17*N4064
	801138	Overlay	Models STEX17*N3020, STEX17*N3069 and STGX19*N3069
	801415	Overlay	Models STEX17*N4064, STEX17*N5754, STEY17*N4064 and STEY17*N5754
	802078	Overlay	Models NTEX17*N4064, NTEX17*N4067 and NTGX19*N4067
	801874	Front Overlay	Models BTEX15*N4065 and BTEX17*N4065
9	513546	Overlay	French/English; Models HTET17*N2802, HTEX17*N2802, HTEX17*N2902, HTEY17*N2802, HTEZ17*N2802, HTGT19*N0902, HTGX19*N0902, HTGY19*N0902 and HTGZ19*N0902
10	803597	Overlay	French/English; Models HTET17*N2802, HTEX17*N2802, HTEX17*N2902, HTEY17*N2802, HTEZ17*N2802, HTGT19*N0902, HTGX19*N0902, HTGY19*N0902 and HTGZ19*N0902
11	501524	Screw	
12	54612	Key	GR800

\* Add Letter To Designate Color. Q - Bisque W - White

N/A = Part no longer available

# Control Cabinet Controls

All Models Except BTEL15\*N4065, BTEL17\*N4065, NTEL17\*N4064 and NTGL19\*N4067



SWD1209P\_801773



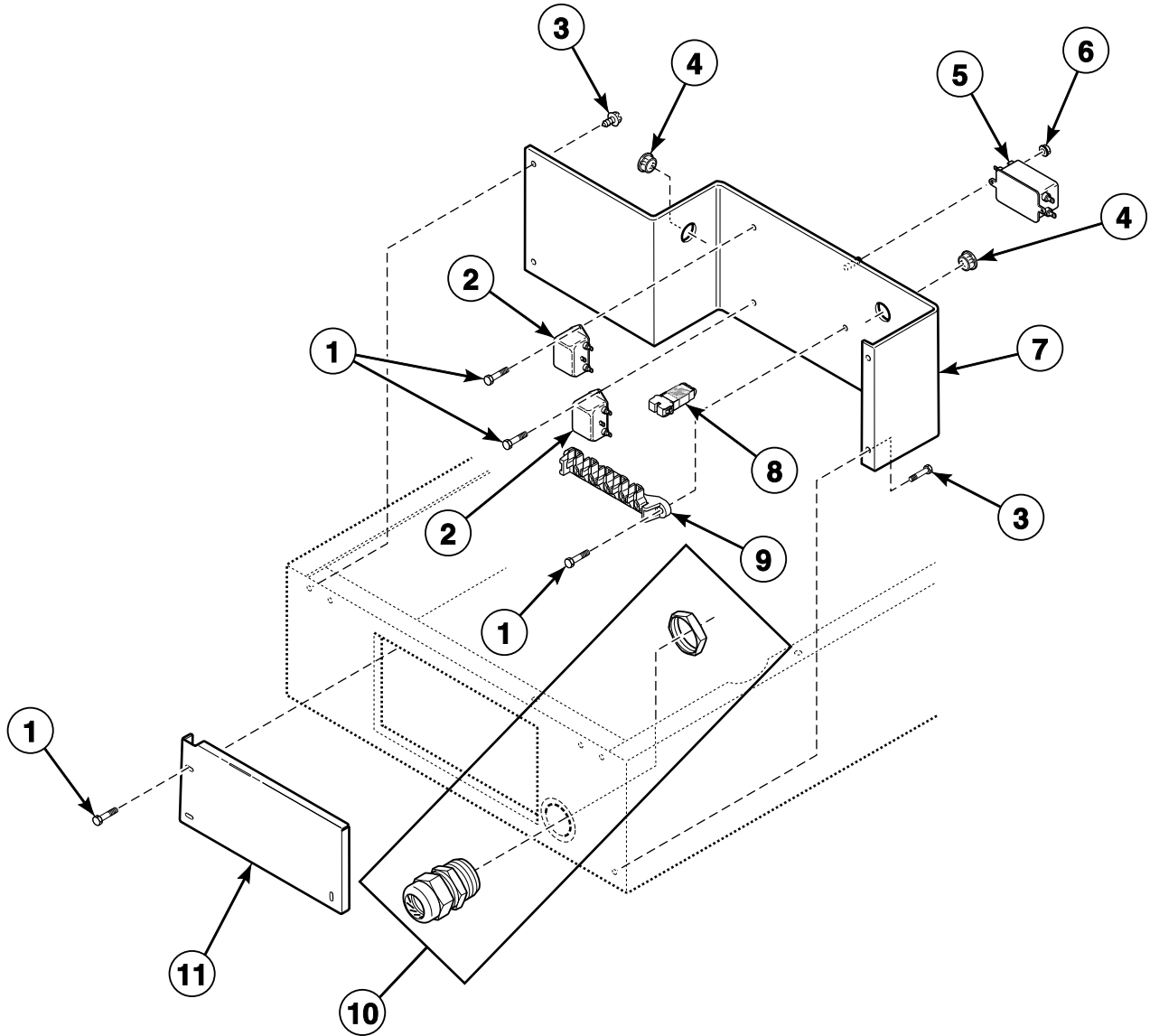
## Control Cabinet Controls

REF	PART NO.	DESCRIPTION	COMMENTS
1	801371	Control Shield	No service door
	801372	Control Shield	Uses service door
2	503661	Screw	
3	F330177P	Contactor	Models BTEX15*N4065, BTEX17*N4065, HTEX17*N4064, HTEY17*N4064, NTEX17*N4064, NTEX17*N4067, NTGX19*N4067, STEX17*N4064, STEX17*N5754, STEY17*N4064 and STEY17*N5754
4	801120P	Contactor Wire Harness Assembly	Models BTEX15*N4065, BTEX17*N4065, HTEX17*N4064, HTEY17*N4064, NTEX17*N4064, NTEX17*N4067, NTGX19*N4067, STEX17*N4064, STEX17*N5754, STEY17*N4064 and STEY17*N5754
5	801297P	Pressure Switch	Models HTEX17*N4064, HTEY17*N4064, NTEX17*N4064, NTEX17*N4067, NTGX19*N4067, STEX17*N4064, STEX17*N5754, STEY17*N4064 and STEY17*N5754
	801610P	Pressure Switch	Models BTEX15*N4065 and BTEX17*N4065
	800468P	Pressure Switch	All other models
6	M402542	Snap Bushing	
7	503688	Screw	
8	800177	Security Cabinet Rear Service Panel	All models except BTEX15*N4065, BTEX17*N4065, HTEX17*N4064, HTEY17*N4064, NTEX17*N4064, NTEX17*N4067, NTGX19*N4067, STEX17*N4064, STEX17*N5754, STEY17*N4064 and STEY17*N5754
9	512973	Switch	
10	800380	Audit Switch Bracket	Right
11	800379	Audit Switch Bracket	Left
12	M413507	Jumper Configuration Assembly	Models BTEX15*N4065, BTEX17*N4065, HTEX17*N4064, HTEY17*N4064, NTEX17*N4064, NTEX17*N4067, NTGX19*N4067, STEA17*N4350, STEF17*N4350, STEX17*N3000, STEX17*N3020, STEX17*N3069, STEX17*N3300, STEX17*N4064, STEX17*N4350, STEX17*N5754, STEY17*N4064, STEY17*N5754, STGX19*N3000, STGX19*N3060 and STGX19*N3069
13	210018P	Transformer	Models HTEB17*N2802, HTET17*N2802, HTEZ17*N2802, HTGB19*N0902, HTGT19*N0902 and HTGZ19*N0902
	201375P	Transformer	Some models may have jumper wire attached to transformer. Discard jumper wire when replacing transformer; Models HTEX17*N2802, HTEX17*N2902, HTEY17*N2802, HTGX19*N0902 and HTGY19*N0902 starting Serial No. 0408008369
	803527P	Transformer	Models HTEX17*N2802, HTEX17*N2902, HTEY17*N2802, HTGX19*N0902 and HTGY19*N0902 through Serial No. 0408008368; Models BTEX15*N4065, BTEX17*N4065, HTEX17*N4064, HTEY17*N4064, NTEX17*N4064, NTEX17*N4067, NTGX19*N4067, STEA17*N4350, STEF17*N4350, STEX17*N3000, STEX17*N3020, STEX17*N3069, STEX17*N3300, STEX17*N4064, STEX17*N4350, STEX17*N5754, STEY17*N4064, STEY17*N5754, STGX19*N3000, STGX19*N3060 and STGX19*N3069
14	210100	Resistor	
15	36985	Hose Clip	

\* Add Letter To Designate Color. Q - Bisque W - White

# Electrical Access Panel, Filters and Terminal Block

Models BTEX15\*N4065, BTEX17\*N4065, HTEX17\*N4064, HTEY17\*N4064, NTEX17\*N4064, NTEX17\*N4067, NTGX19\*N4067, STEX17\*N4064, STEX17\*N5754, STEY17\*N4064 and STEY17\*N5754



FLW861P\_801773

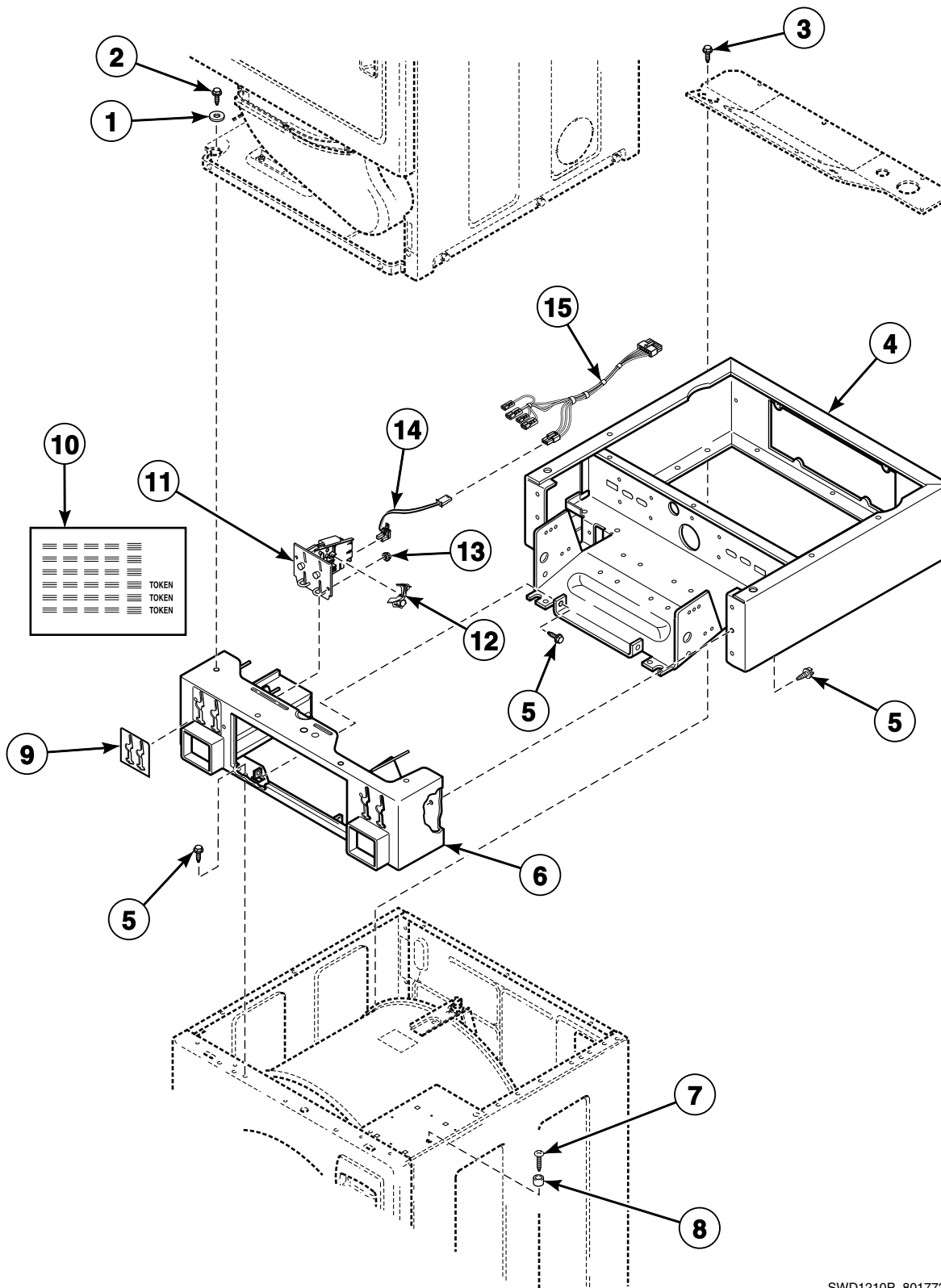
## Electrical Access Panel, Filters and Terminal Block

REF	PART NO.	DESCRIPTION	COMMENTS
1	503661	Screw	
2	801255P	Filter	
3	503688	Screw	
4	M402542	Snap Bushing	
5	201058	Line Filter	
6	29787	Nut	
7	801250	Terminal Block Assembly	
8	801311	Network Varistor Assembly	
9	505876	Terminal Block Assembly	
10	801792P	Fitting	
11	801134	Electric Access Panel	

\* Add Letter To Designate Color. Q - Bisque W - White

# Cabinet Wrapper and Coin Drop

Models BTEX15\*N4065, BTEX17\*N4065, HTEB17\*N2802, HTET17\*N2802, HTEX17\*N2802, HTEX17\*N2902, HTEX17\*N4064, HTEZ17\*N2802, HTGB19\*N0902, HTGT19\*N0902, HTGX19\*N0902, HTGZ19\*N0902, NTEX17\*N4064, NTEX17\*N4067, NTGX19\*N4067, STEA17\*N4350, STEX17\*N3000, STEX17\*N3020, STEX17\*N3069, STEX17\*N3300, STEX17\*N4064, STEX17\*N4350, STEX17\*N5754, STGX19\*N3000, STGX19\*N3060 and STGX19\*N3069



SWD1210P\_801773

## Cabinet Wrapper and Coin Drop

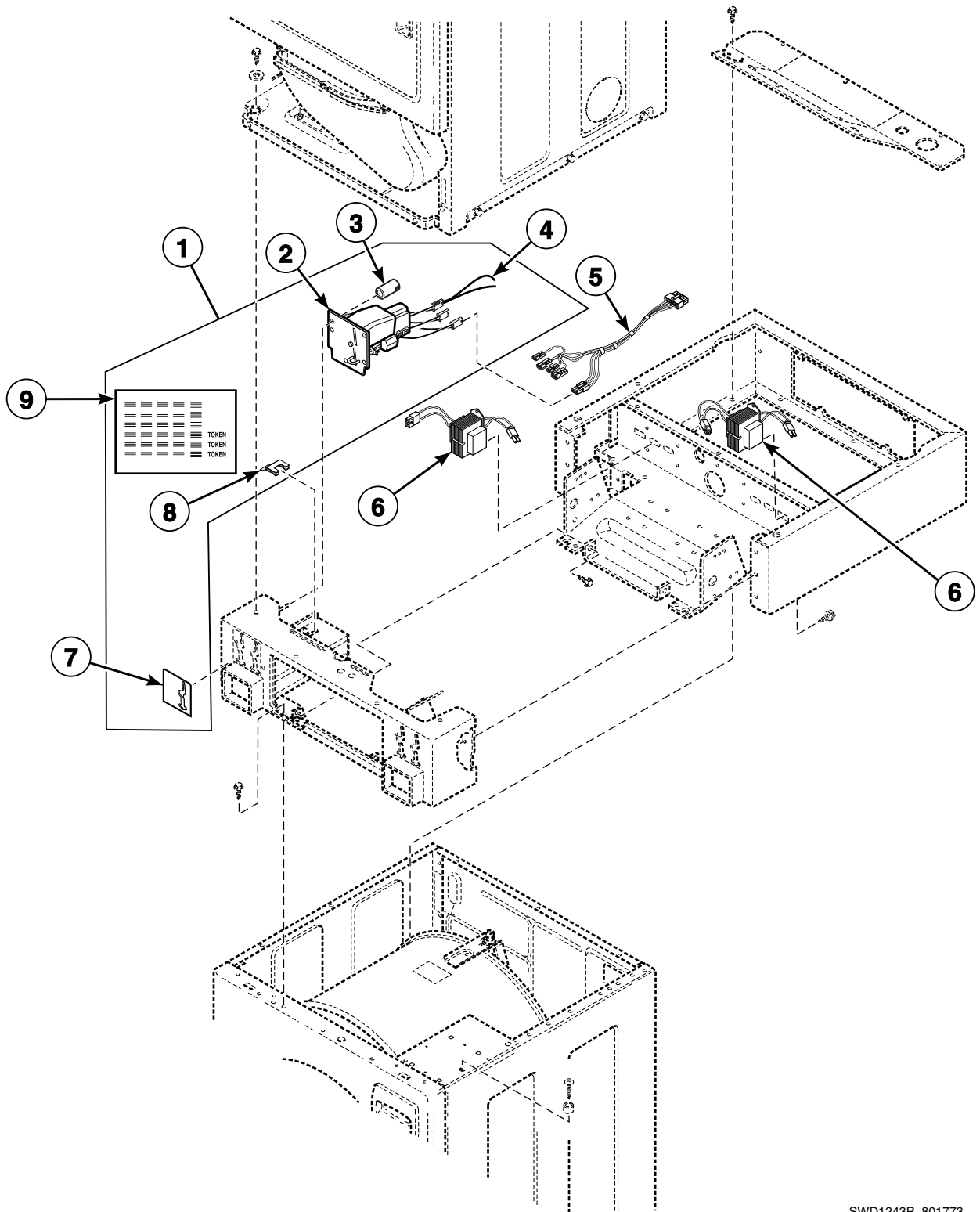
REF	PART NO.	DESCRIPTION	COMMENTS
1	26509	Washer	
2	36048	Screw	
3	503661	Screw	
4	801235W	Security Cabinet Wrapper Assembly	White; Models BTEX15*N4065, BTEX17*N4065, HTEX17*N4064, NTEX17*N4064, NTEX17*N4067, NTGX19*N4067, STEX17*N4064 and STEX17*N5754
	801235Q	Security Cabinet Wrapper Assembly	Bisque; Models BTEX15*N4065, BTEX17*N4065, HTEX17*N4064, NTEX17*N4064, NTEX17*N4067, NTGX19*N4067, STEX17*N4064 and STEX17*N5754
	800231W	Security Cabinet Wrapper Assembly	White; All other models
	800231Q	Security Cabinet Wrapper Assembly	Bisque; All other models
5	503688	Screw	
6	511632WP	Security Cabinet Front Assembly	White
	511632Q	Security Cabinet Front Assembly	Bisque
7	39733	Screw	
8	56079	Panel Locator	
9	38676	Overlay Kit	Dual drop
	39073	Dual Overlay	Models HTEB17*N2802, HTET17*N2802, HTEZ17*N2802, HTGB19*N0902, HTGT19*N0902 and HTGZ19*N0902; Dual drop
	201091	Overlay	Single drop
10	38725	Coin Identification Paper	
11	70441602	Coin Drop Assembly	Canada; .25 and 1.00
	38464P	Coin Drop Assembly	Canada; .25
	38467	Coin Drop Assembly	Australia; .20 and 1.00
	38472	Coin Drop Assembly	England; 20 pence and 1 pound
	38519	Coin Drop Assembly	Japan; 100 yen and 500 yen
	38521	Coin Drop Assembly	Korea; 100 won and 500 won
	N/A	Coin Drop Assembly	New Zealand; .20 and 1.00
	38462P	Coin Drop Assembly	Token; STD-118-1; .880 diameter x .079 thick; Brass
	38463	Coin Drop Assembly	Token; STD-118-5; .990 diameter x .081 thick; Silver
38963P	Coin Drop	Token 118-16 not available; Replacement for 38963P Coin Drop only	
12	201595P	Wire Guard	Anti-stringing security device; Add to coin drops manufactured starting January 2005
13	29786	Nut	
14	200674P	Opto Coupler	
15	802905	Harness Assembly	

\* Add Letter To Designate Color. Q - Bisque W - White

N/A = Part no longer available

# Electronic Coin Drop

Models BTEX15\*N4065, BTEX17\*N4065, HTEB17\*N2802, HTET17\*N2802, HTEX17\*N2802, HTEX17\*N2902, HTEX17\*N4064, HTEZ17\*N2802, HTGB19\*N0902, HTGT19\*N0902, HTGX19\*N0902, HTGZ19\*N0902, NTEX17\*N4064, NTEX17\*N4067, NTGX19\*N4067, STEA17\*N4350, STEX17\*N3000, STEX17\*N3020, STEX17\*N3069, STEX17\*N3300, STEX17\*N4064, STEX17\*N4350, STEX17\*N5754, STGX19\*N3000, STGX19\*N3060 and STGX19\*N3069



SWD1243P\_801773

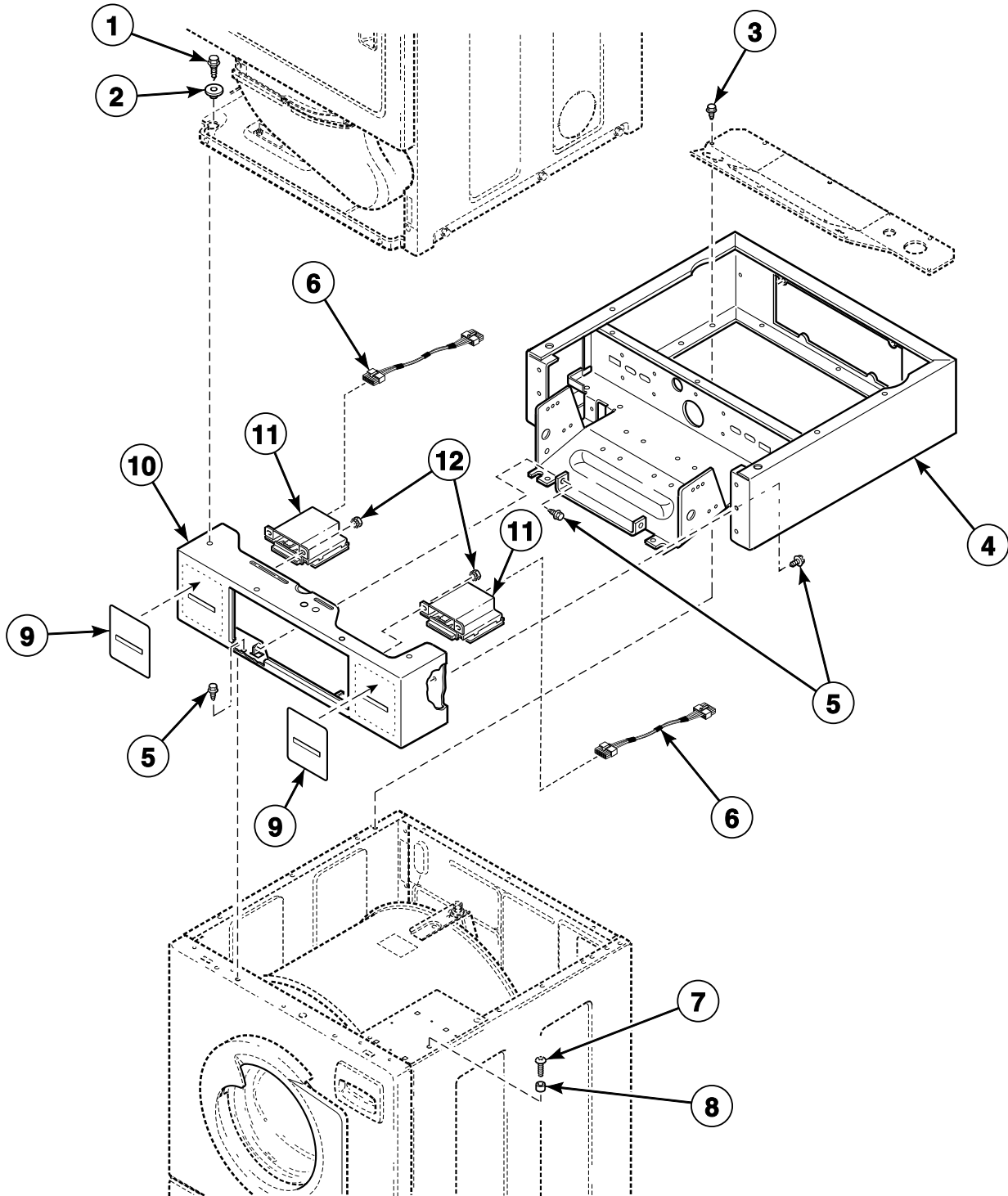
# Electronic Coin Drop

REF	PART NO.	DESCRIPTION	COMMENTS
1	CK115	Electronic Coin Drop Kit	Includes items 2-4 and 7-9; United States and Canada coins
	CK099	Electronic Coin Drop Kit	Includes items 2-4 and 7-9; Australia, New Zealand, Hong Kong and South Korea coins
	CK100	Electronic Coin Drop Kit	Includes items 2-4 and 7-9; Euro and Great Britain coins
	CK101	Electronic Coin Drop Kit	Includes items 2-4 and 7-9; Euro, Denmark and Norway coins
	CK103	Electronic Coin Drop Kit	Includes items 2-4 and 7-9; Euro, Lithuania and Latvia coins
	CK108	Electronic Coin Drop Kit	Includes items 2-4 and 7-9; South African 1, 2 and 5 rand coins
	CK109	Electronic Coin Drop Kit	Includes items 2-4 and 7-9; Euro coins
	CK110	Electronic Coin Drop Kit	Includes items 2-4 and 7-9; Mexico, Ecuador and United States coins
	CK113	Electronic Coin Drop Kit	Includes items 2-4 and 7-9; Japan and Taiwan coins
	CK116	Electronic Coin Drop Kit	Includes items 2-4 and 7-9; Malaysia, China and Singapore coins
	CK117	Electronic Coin Drop Kit	Includes items 2-4 and 7-9; Russia coins
	CK118	Electronic Coin Drop Kit	Includes items 2-4 and 7-9; Philippine coins
	2	70294103P	Electronic Coin Drop Assembly
70294104		Electronic Coin Drop Assembly	Euro, Denmark and Norway coins
70294105P		Electronic Coin Drop Assembly	Australia, New Zealand, Hong Kong and South Korea coins
70294106		Electronic Coin Drop Assembly	Mexico, Ecuador and United States coins
70294107		Electronic Coin Drop Assembly	Euro, Lithuania and Latvia coins
70294110		Electronic Coin Drop Assembly	South African 1, 2 and 5 rand coins
70294111		Electronic Coin Drop Assembly	Euro coins
70294112		Electronic Coin Drop Assembly	Euro, Great Britain and token coins
70294116		Electronic Coin Drop Assembly	Malaysia, China and Singapore coins
70294117	Electronic Coin Drop Assembly	Russia coins	
3	201216	Nut	
4	201104	Coin Drop Wire Harness	
5	802905	Harness Assembly	Electronic coin drop requires this harness. If unit is not factory-equipped with this harness, it must be ordered separately.
6	201375P	Transformer	Electronic coin drop requires this transformer. If unit is not factory-equipped with this transformer, it must be ordered separately.
7	201091	Overlay	
8	201572	Clip	
9	38725	Coin Identification Paper	

\* Add Letter To Designate Color. Q - Bisque W - White

# Cabinet Wrapper and Card Reader

Models HTEY17\*N2802, HTEY17\*N4064, HTGY19\*N0902, STEF17\*N4350, STEY17\*N4064 and STEY17\*N5754



SWD1169P\_801773



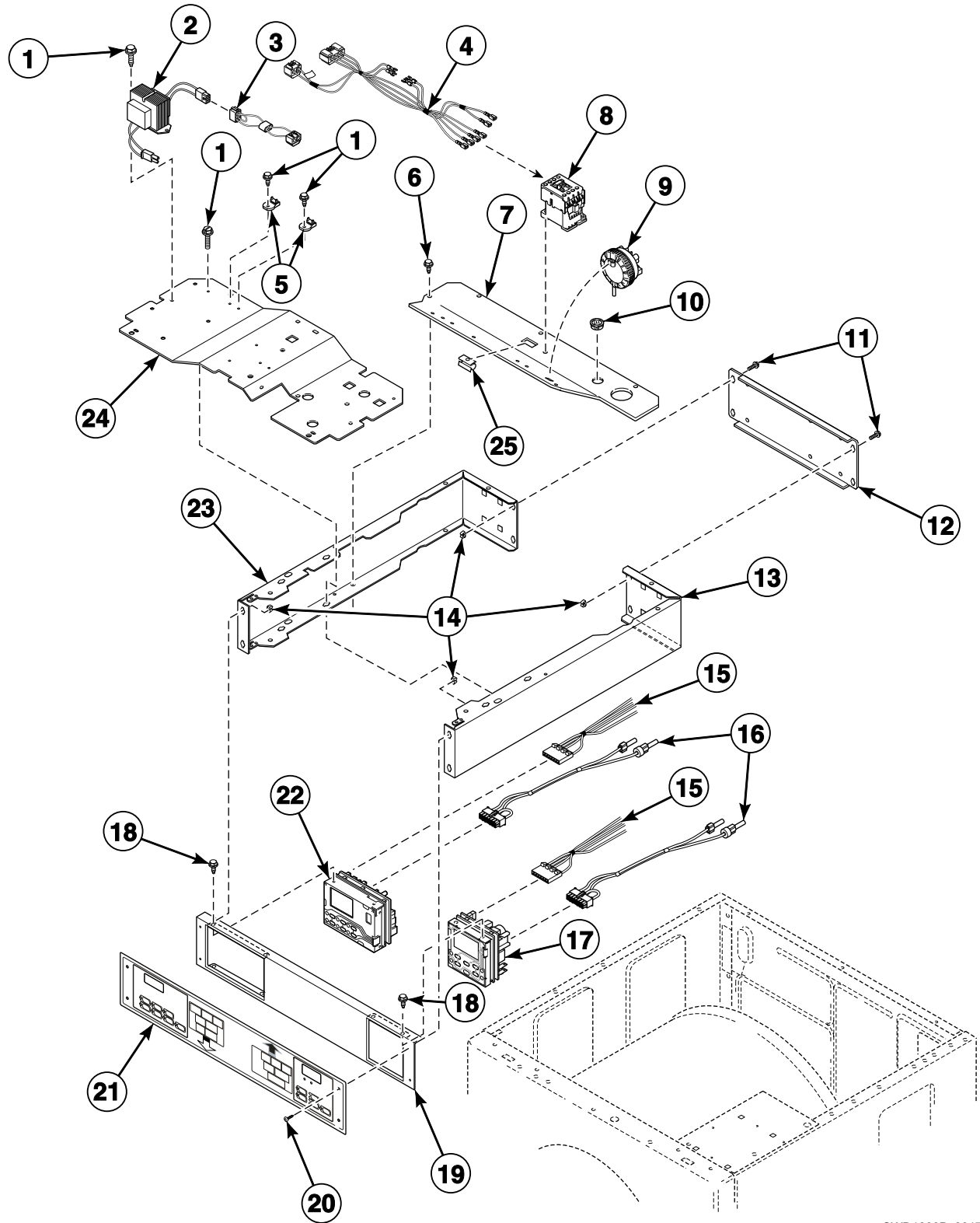
## Cabinet Wrapper and Card Reader

REF	PART NO.	DESCRIPTION	COMMENTS
1	36048	Screw	
2	26509	Washer	
3	503661	Screw	
4	801235W	Security Cabinet Wrapper Assembly	White; Models HTEY17*N4064, STEY17*N4064 and STEY17*N5754
	801235Q	Security Cabinet Wrapper Assembly	Bisque; Models HTEY17*N4064, STEY17*N4064 and STEY17*N5754
	800231W	Security Cabinet Wrapper Assembly	White; All other models
	800231Q	Security Cabinet Wrapper Assembly	Bisque; All other models
5	503688	Screw	
6	800125P	Card Reader Wire Harness Assembly	Model STEF17*N4350
7	39733	Screw	
8	56079	Panel Locator	
9	39564	Coin Drop Overlay	Models STEY17*N4064 and STEY17*N5754
	800230	Card Reader Overlay	Model STEF17*N4350
	511548	Card Insert Overlay	All other models
10	511208W	Security Cabinet Front Assembly	White
	511208Q	Security Cabinet Front Assembly	Bisque
11	510068P	Card Reader and Bracket Assembly	Model STEF17*N4350
12	70054	Nut	

\* Add Letter To Designate Color. Q - Bisque W - White

# Control Cabinet and Controls

Models BTEL15\*N4065, BTEL17\*N4065, NTEL17\*N4064 and NTGL19\*N4067



SWD1266P\_801773

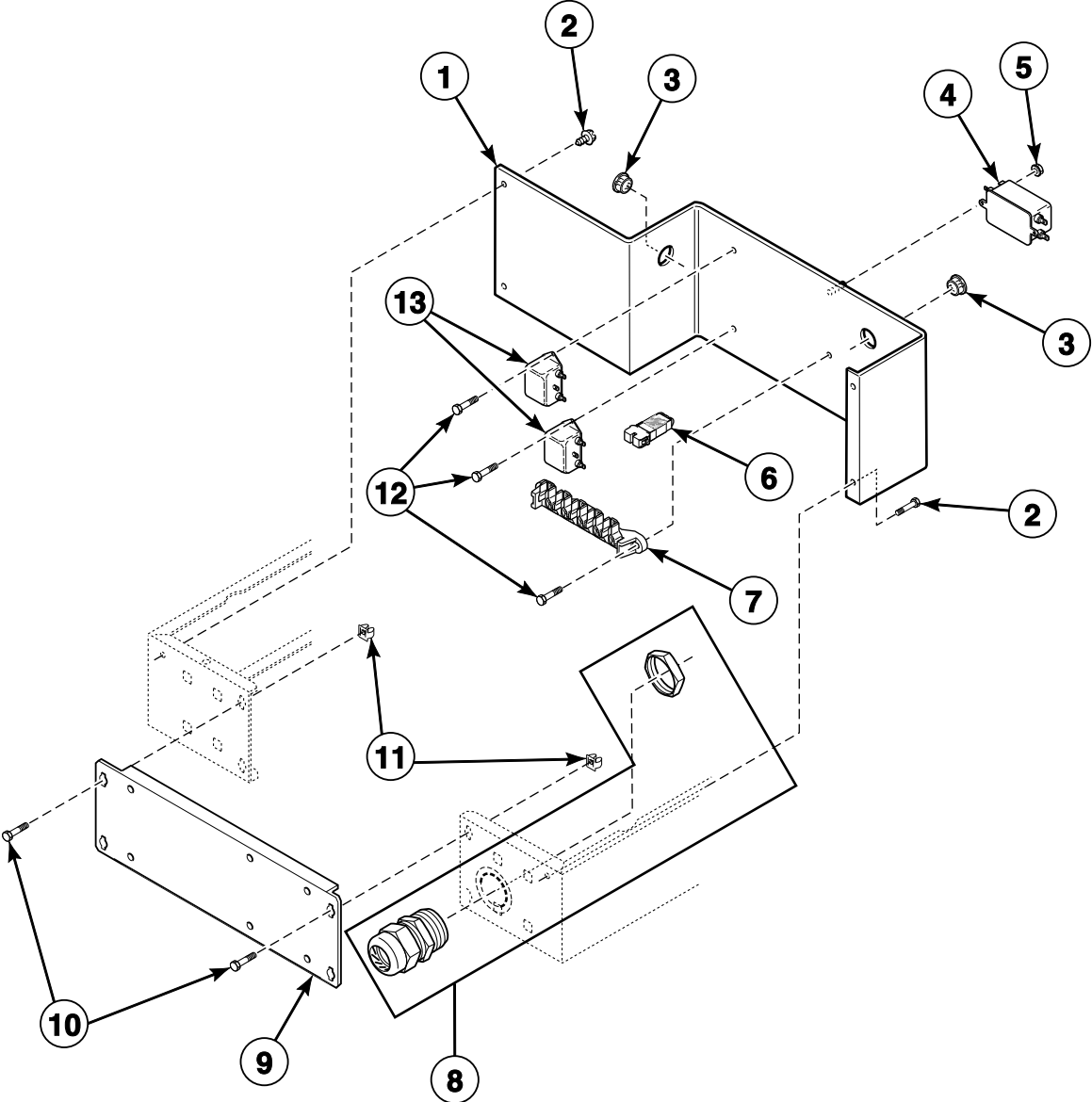
## Control Cabinet and Controls

REF	PART NO.	DESCRIPTION	COMMENTS
1	503688	Screw	
2	803527P	Transformer	
3	M413507	Jumper Configuration Assembly	
4	801120P	Contacto Wire Harness Assembly	
5	210100	Resistor	
6	503661	Screw	
7	801371	Control Shield	
8	F330177P	Contacto	
9	801610P	Pressure Switch	Models BTEL15*N4065 and BTEL17*N4065
	801297P	Pressure Switch	All other models
10	M402542	Snap Bushing	
11	70240301	Screw	
12	801058	Rear Control Cabinet	
13	800915W	Right Control Cabinet Side	White
	800915Q	Right Control Cabinet Side	Bisque
14	70030501	Expansion Clip	
15	511478	Central Pay Harness	
16	800680	Diagnostic Wire Harness Assembly	
17	511867P	Control Assembly	Dryer
18	501524	Screw	
19	801778W	Control Panel	
20	800930	Screw	
21	801984	Graphic Overlay	Models BTEL15*N4065 and BTEL17*N4065
	802289	Graphic Overlay	All other models
22	802400P	Control Assembly	Washer
23	801738W	Left Control Cabinet Side	
24	801777	Control Cabinet Bottom	
25	36985	Hose Clip	

\* Add Letter To Designate Color. Q - Bisque W - White

# Electrical Access Panel, Filters and Terminal Block

Models BTEL15\*N4065, BTEL17\*N4065, NTEL17\*N4064 and NTGL19\*N4067



FLW863P\_801773

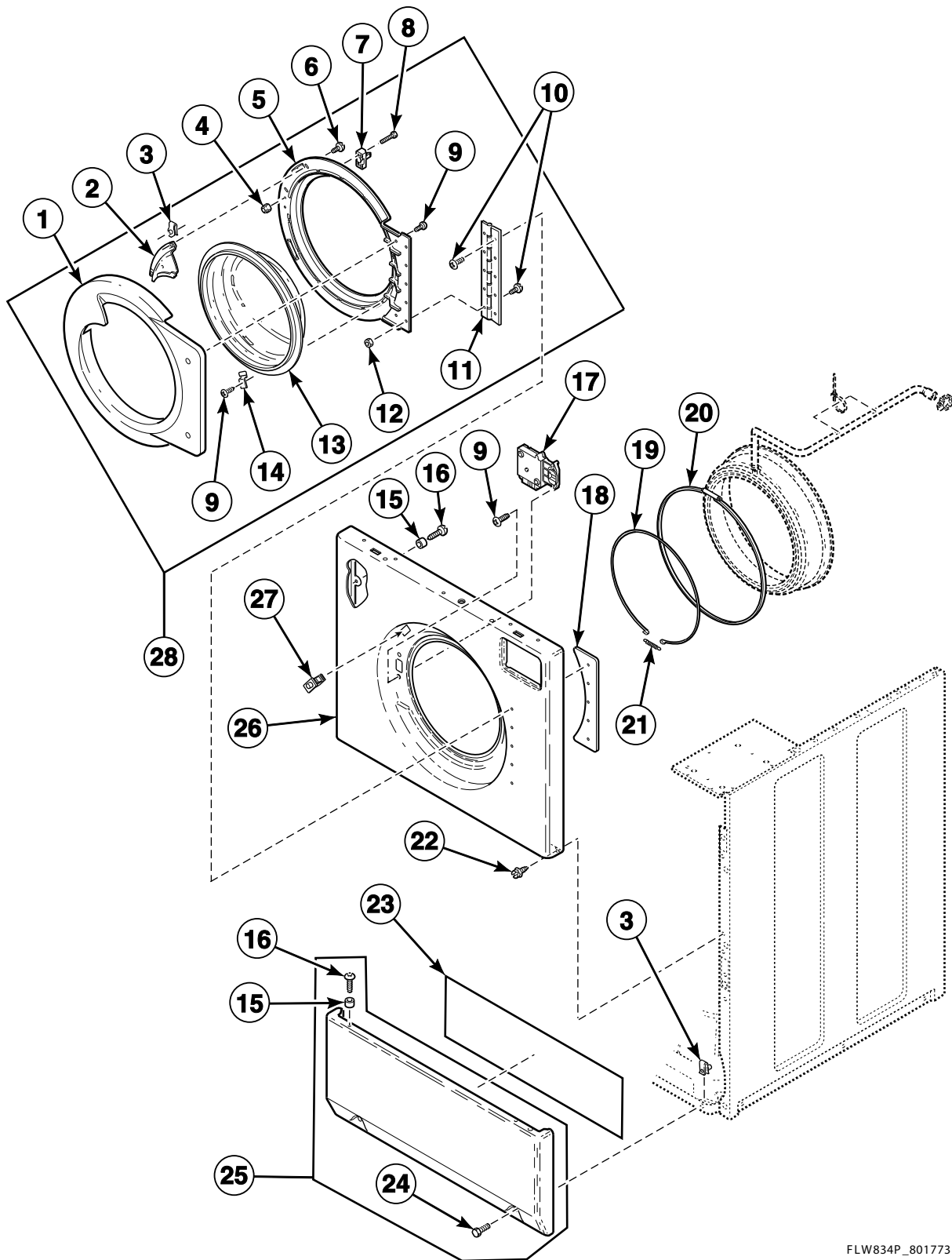
## Electrical Access Panel, Filters and Terminal Block

REF	PART NO.	DESCRIPTION	COMMENTS
1	801756	Terminal Block Assembly	
2	503688	Screw	
3	M402542	Snap Bushing	
4	201058	Line Filter	
5	29787	Nut	
6	801311	Network Varistor Assembly	
7	505876	Terminal Block Assembly	
8	801792P	Fitting	
9	801058	Rear Control Cabinet	
10	70240301	Screw	
11	70030501	Expansion Clip	
12	503661	Screw	
13	801255P	Filter	

\* Add Letter To Designate Color. Q - Bisque W - White

# Washer Front Panel and Door Assembly (Drawing 1 of 2)

Models BTEL15\*N4065, BTEL17\*N4065, BTEX15\*N4065, BTEX17\*N4065  
and All Other Models Through Serial No. 0411000565



FLW834P\_801773

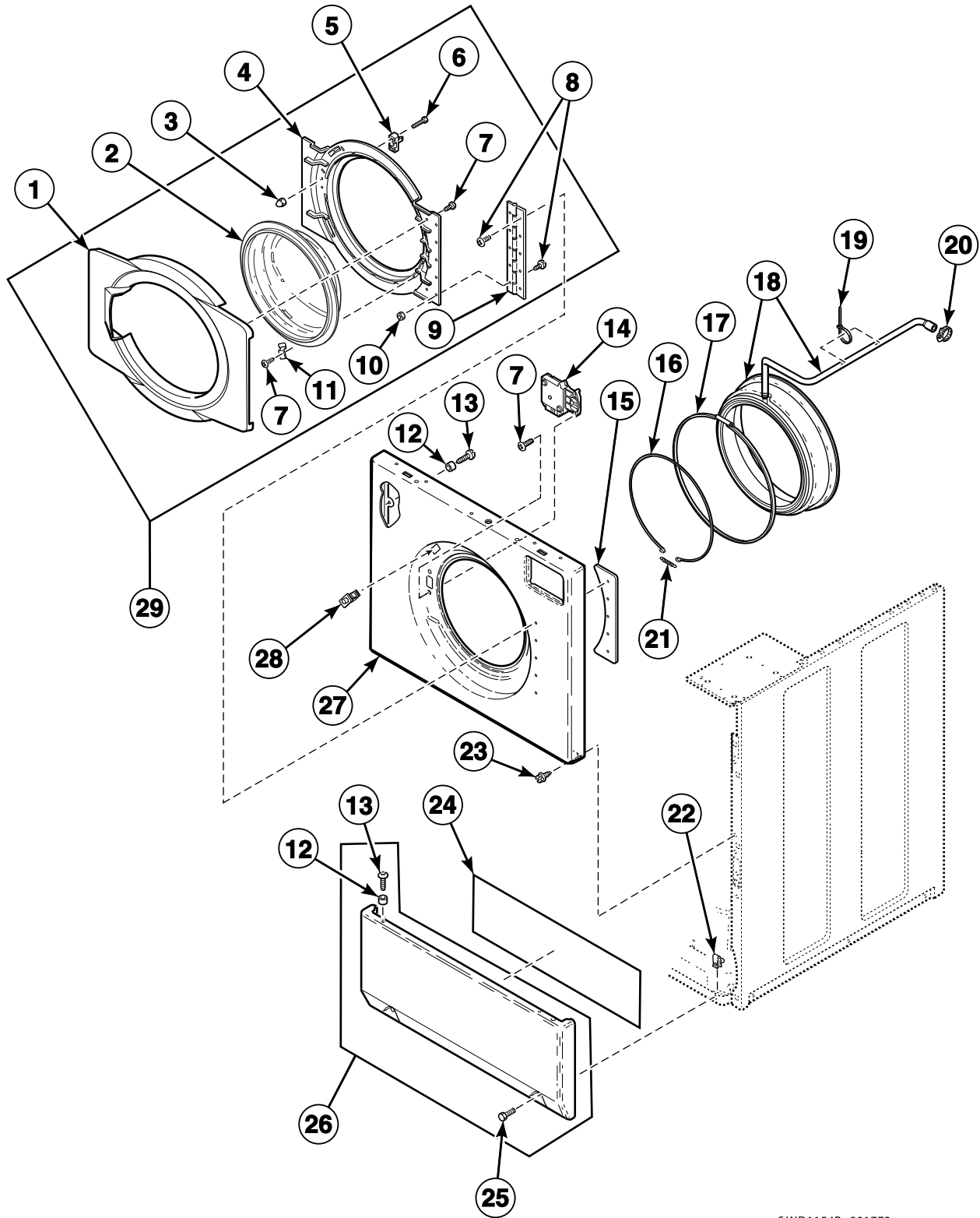
## Washer Front Panel and Door Assembly (Drawing 1 of 2)

REF	PART NO.	DESCRIPTION	COMMENTS
1	801868	Outer Door Bezel	Gray; Models BTEL15*N4065, BTEL17*N4065, BTEX15*N4065 and BTEX17*N4065
	800341W	Door Bezel	White; All other models
	800341Q	Door Bezel	Bisque; All other models
2	800342	Door Handle	
3	36020	Nut	
4	685846	Nut	
5	800340	Inner Door Bezel	
6	800528	Screw	
7	685430	Locking Catch	
8	801993	Screw	
9	800548	Screw	
10	801019	Screw	
11	802934	Door Hinge	
12	23951	Nut	
13	800343P	Door Glass	
14	800906	Hold-Down Clip	
15	56079	Panel Locator	
16	39733	Screw	
17	685429	Door Latch/Switch Assembly	
18	802412	Hinge Plate	
19	800438	Wire Clamp Ring	
20	685743P	Door Seal Clamp	
21	800346	Extension Spring	
22	503661	Screw	
23	685368	Access Panel Damper	1 inch by 26 inches
24	801045	Screw	
25	514250WP	Access Panel Assembly	White
	514250Q	Access Panel Assembly	Bisque
26	800336WP	Front Panel	White
	800336QP	Front Panel	Bisque
27	801821	Door Switch Assembly	Models STEA17*N4350, STEF17*N4350, STEX17*N4350 and STGX19*N3060
	800211	Door Switch	All other models
28	801869	Door Assembly	Gray; Includes items 1-14; Models BTEL15*N4065, BTEL17*N4065, BTEX15*N4065 and BTEX17*N4065
	800436WP	Door Assembly	White; Includes items 1-14; All other models
	800436QP	Door Assembly	Bisque; Includes items 1-14; All other models

\* Add Letter To Designate Color. Q - Bisque W - White

# Washer Front Panel and Door Assembly (Drawing 2 of 2)

All Models Starting Serial No. 0411000566 Except Models BTEL15\*N4065, BTEL17\*N4065, BTEX15\*N4065, BTEX17\*N4065



SWD1154P\_801773

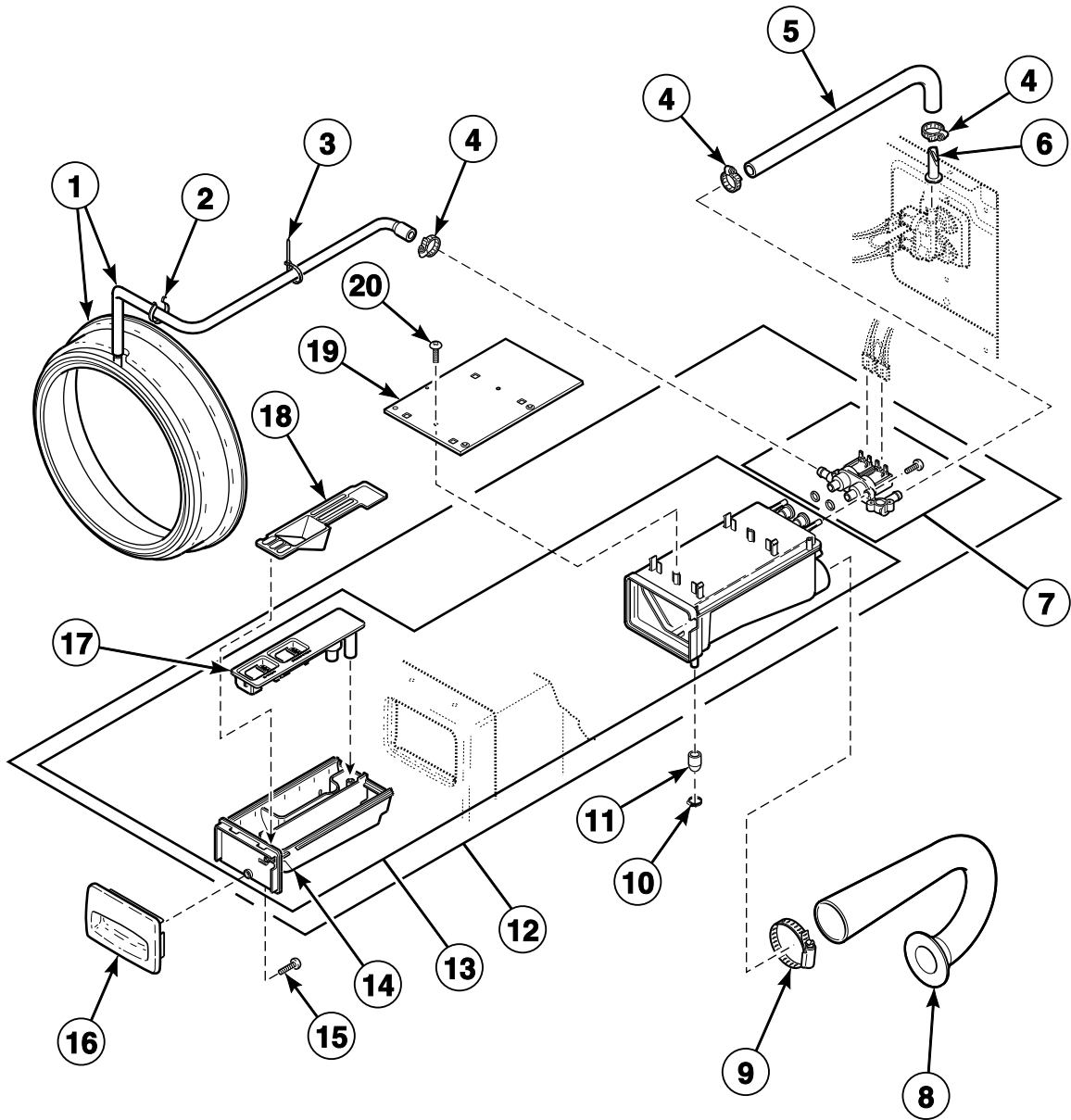


## Washer Front Panel and Door Assembly (Drawing 2 of 2)

REF	PART NO.	DESCRIPTION	COMMENTS
1	801904W	Outer Door Bezel	White
	801904Q	Outer Door Bezel	Bisque
2	800343P	Door Glass	
3	801994	Nut	
4	801903	Inner Door Bezel	
5	685430	Locking Catch	
6	801993	Screw	
7	800548	Screw	
8	801019	Screw	
9	802934	Door Hinge	
10	23951	Nut	
11	800906	Hold-Down Clip	
12	56079	Panel Locator	
13	39733	Screw	
14	685429	Door Latch/Switch Assembly	
15	802412	Hinge Plate	
16	800438	Wire Clamp Ring	
17	685743P	Door Seal Clamp	Seal to outer tub front
18	800232P	Door Seal and Hose Assembly Kit	Black
	801784P	Door Seal and Hose Assembly Kit	Gray; Models HTEX17*N4064, HTEY17*N4064, NTEL17*N4064, NTEX17*N4064, NTEX17*N4067, NTGL19*N4067, NTGX19*N4067, STEA17*N4350, STEF17*N4350, STEX17*N3000, STEX17*N3020, STEX17*N3069, STEX17*N3300, STEX17*N4064, STEX17*N4350, STEY17*N4064, STGX19*N3000, STGX19*N3060 and STGX19*N3069
19	55881	Harness Strap	
20	802164	Hose Clamp	
21	800346	Extension Spring	
22	36020	Nut	
23	503661	Screw	
24	685368	Access Panel Damper	
25	801045	Screw	
26	514250WP	Access Panel Assembly	White
	514250Q	Access Panel Assembly	Bisque
27	800336WP	Front Panel	White
	800336QP	Front Panel	Bisque
28	801821	Door Switch Assembly	Models STEA17*N4350, STEF17*N4350, STEX17*N4350 and STGX19*N3060
	800211	Door Switch	All other models
29	801928WP	Door Assembly	White; Includes items 1-11
	801928QP	Door Assembly	Bisque; Includes items 1-11

\* Add Letter To Designate Color. Q - Bisque W - White

# Dispenser Assembly and Door Seal



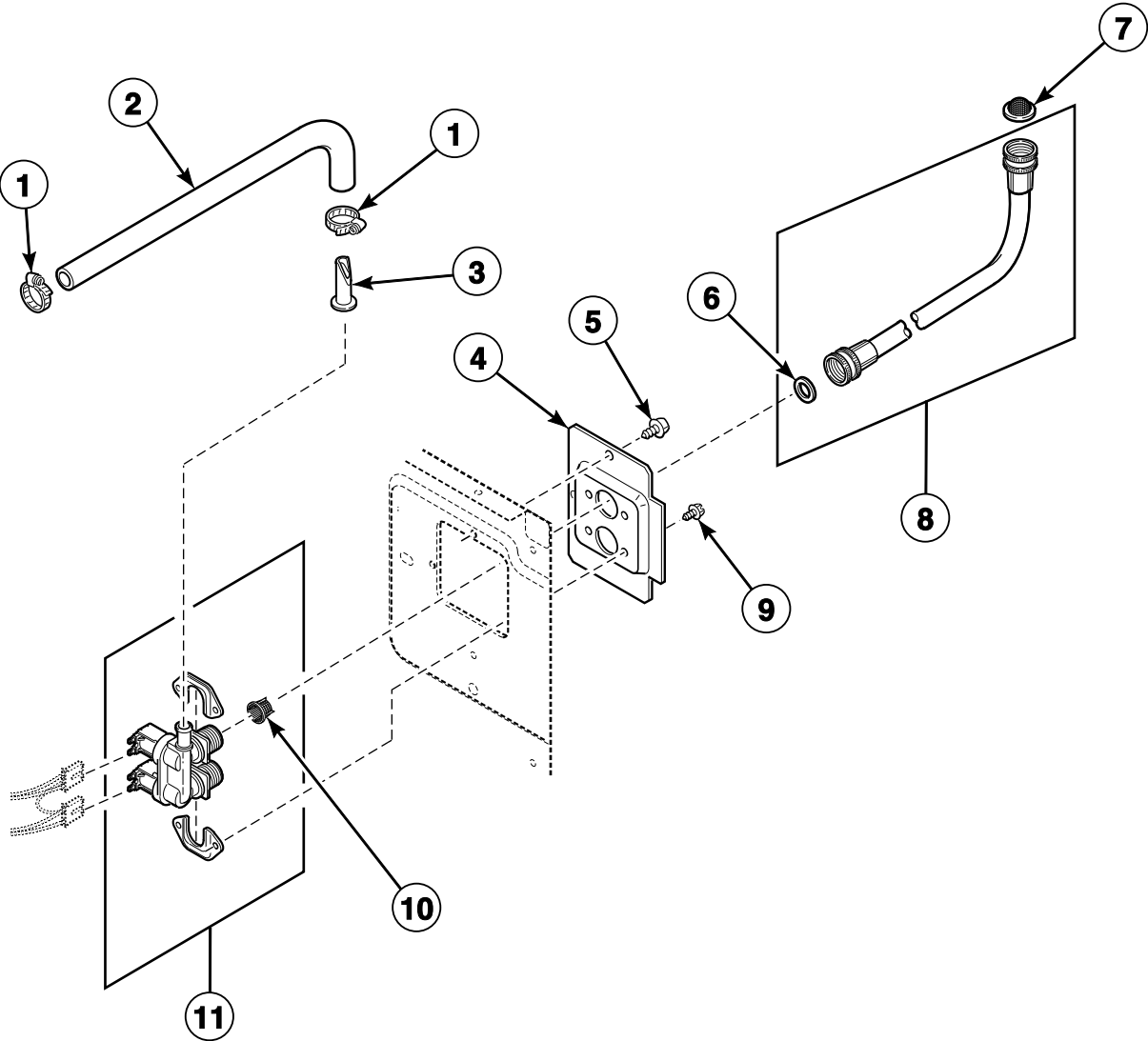
FLW820P\_801773

## Dispenser Assembly and Door Seal

REF	PART NO.	DESCRIPTION	COMMENTS
1	800232P	Door Seal and Hose Assembly Kit	Black
	801784P	Door Seal and Hose Assembly Kit	Gray; Models BTEL15*N4065, BTEL17*N4065, BTEX15*N4065, BTEX17*N4065, HTEX17*N4064, HTEY17*N4064, NTEL17*N4064, NTEX17*N4064, NTEX17*N4067, NTGL19*N4067, NTGX19*N4067, STEA17*N4350, STEF17*N4350, STEX17*N3000, STEX17*N3020, STEX17*N3069, STEX17*N3300, STEX17*N4064, STEX17*N4350, STEY17*N4064, STGX19*N3000, STGX19*N3060 and STGX19*N3069
2	687500	Wire Clip	
3	39037	Cable Tie	
4	802164	Hose Clamp	
5	801464	Valve-to-Dispenser Inlet Hose	
6	34500	Backflow Preventer	
7	685766P	Valve Kit	Models HTEB17*N2802, HTET17*N2802, HTEX17*N2802, HTEX17*N2902, HTEY17*N2802, HTEZ17*N2802, HTGB19*N0902, HTGT19*N0902, HTGX19*N0902, HTGY19*N0902 and HTGZ19*N0902
	801836P	Valve Kit	All other models
8	800331	Dispenser-to-Tub Hose	
9	685725	Hose Clamp	
10	F200206	Hose Clamp	
11	801746	Cap	
12	685756P	Dispenser	Models HTEB17*N2802, HTET17*N2802, HTEX17*N2802, HTEX17*N2902, HTEY17*N2802, HTEZ17*N2802, HTGB19*N0902, HTGT19*N0902, HTGX19*N0902, HTGY19*N0902 and HTGZ19*N0902
	801090P	Dispenser	All other models
13	801476P	Dispenser Assembly	
14	685757P	Dispenser Drawer	
15	800548	Screw	
16	685715WP	Dispenser Drawer Front	White
	685715QP	Dispenser Drawer Front	Bisque
17	685716	Insert	
18	800899	Detergent Cover	
19	801024	Dispenser Plate	
20	801001	Screw	

\* Add Letter To Designate Color. Q - Bisque W - White

# Mixing Valve, Valve-to-Dispenser Inlet Hose and Fill Hose



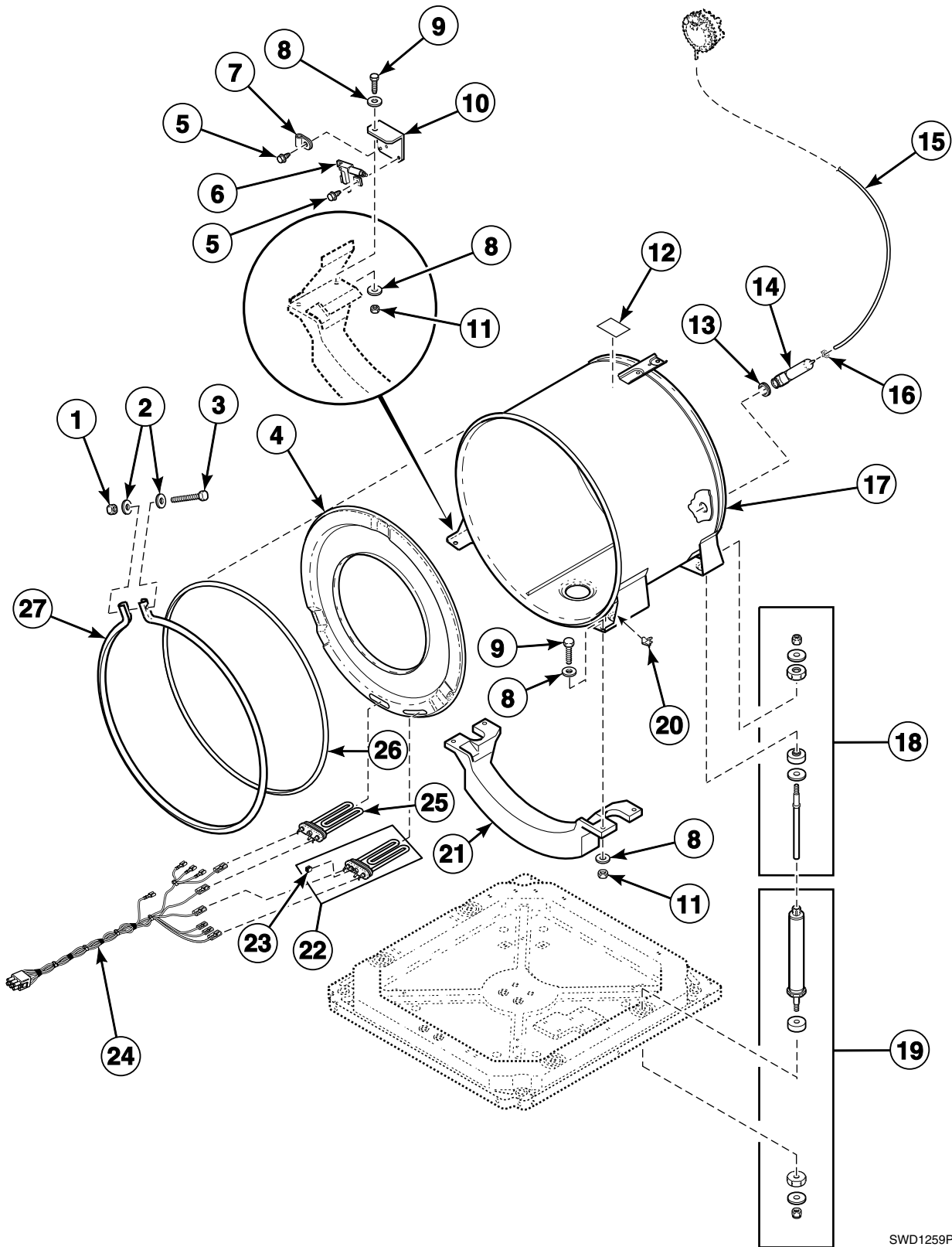
FLW881P\_801773

# Mixing Valve, Valve-to-Dispenser Inlet Hose and Fill Hose

REF	PART NO.	DESCRIPTION	COMMENTS
1	802164	Hose Clamp	
2	801464	Valve-to-Dispenser Inlet Hose	
3	34500	Backflow Preventer	
4	800323	Mixing Valve Plate	
5	503661	Screw	
6	20290	Washer	
7	803615	Washer	Filter screen
	802254	Washer	Flow restrictor; Water pressure reducer; Available for water pressure up to but not exceeding 120 psi
8	F200116	Water Hose	4 feet; Hose is equipped with 2 standard hose couplings; Includes 2 of item 7
	20617	Fill Hose	8 feet; Hose is equipped with 2 standard hose couplings
	20618	Fill Hose	10 feet; Hose is equipped with 2 standard hose couplings
	38349P	Fill Hose Kit	5 feet; Hose is equipped with 1 metric and 1 standard hose coupling; Includes 2 of item 7
	37380	Fill Hose	8 feet; Hose is equipped with 1 metric and 1 standard hose coupling
	37381	Fill Hose	10 feet; Hose is equipped with 1 metric and 1 standard hose coupling
9	501086	Screw	
10	802926	Mixing Valve Screen	
11	802220P	Mixing Valve	Models HTEB17*N2802, HTET17*N2802, HTEX17*N2802, HTEX17*N2902, HTEY17*N2802, HTEZ17*N2802, HTGB19*N0902, HTGT19*N0902, HTGX19*N0902, HTGY19*N0902 and HTGZ19*N0902
	802222P	Mixing Valve	All other models

\* Add Letter To Designate Color. Q - Bisque W - White

# Outer Tub, Front and Clamp Ring



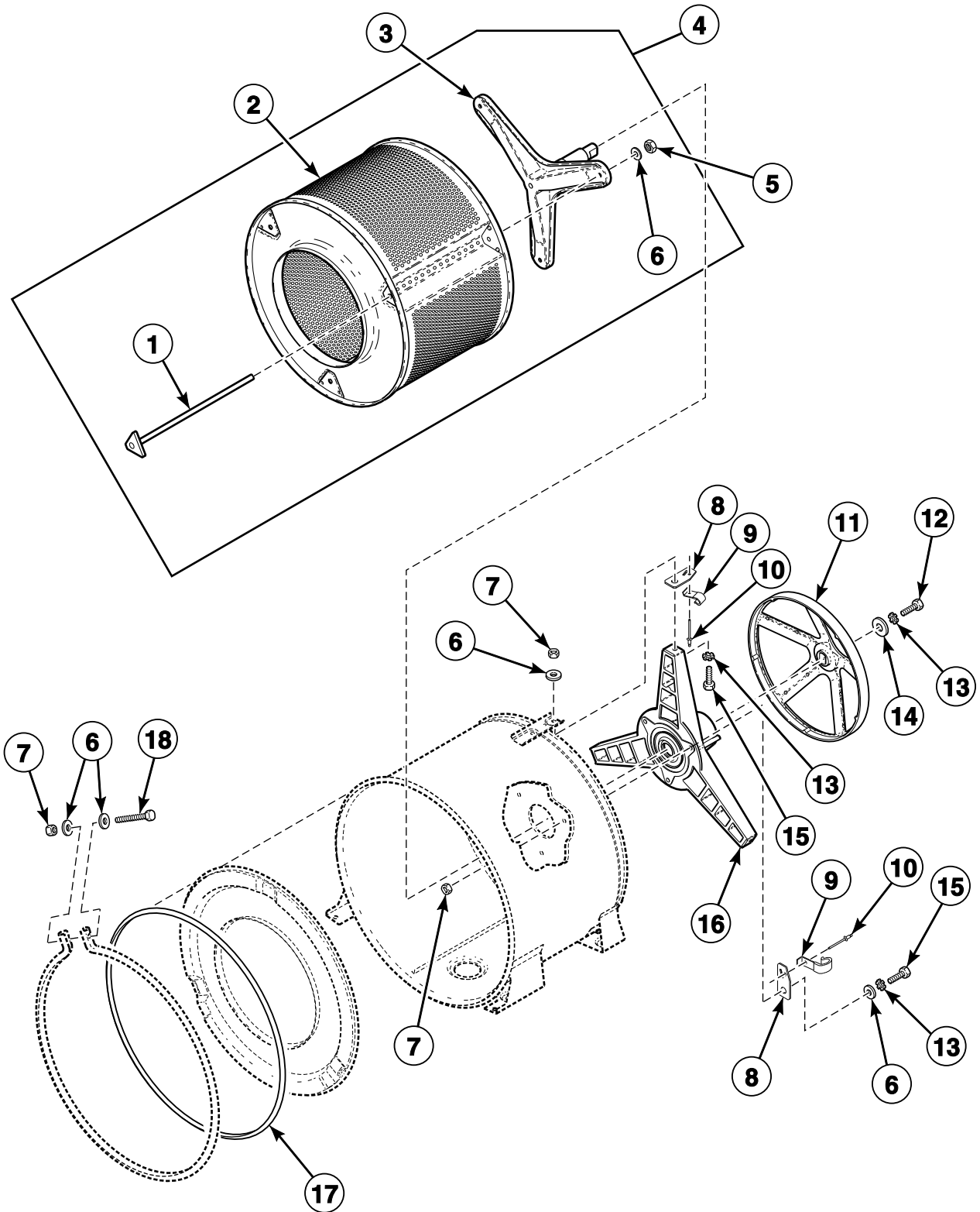
SWD1259P\_801773

## Outer Tub, Front and Clamp Ring

REF	PART NO.	DESCRIPTION	COMMENTS
1	F430218	Nut	
2	800457	Washer	
3	800462	Screw	
4	801231	Tub Front Assembly	Models BTEL15*N4065, BTEL17*N4065, BTEX15*N4065, BTEX17*N4065, HTEX17*N4064, HTEY17*N4064, NTEL17*N4064, NTEX17*N4064, NTEX17*N4067, NTGL19*N4067, NTGX19*N4067, STEX17*N4064, STEX17*N5754, STEY17*N4064 and STEY17*N5754
	800430	Tub Front Assembly	All other models
5	503661	Screw	
6	801006	Out-of-Balance Switch Assembly	
7	800811	Wire Clamp	
8	M400081	Washer	
9	800461	Screw	
10	800663	Switch Mounting Bracket	
11	800452	Nut	
12	500314	Warning Label	Models HTEB17*N2802, HTET17*N2802, HTEX17*N2802, HTEX17*N2902, HTEY17*N2802, HTEZ17*N2802, HTGB19*N0902, HTGT19*N0902, HTGX19*N0902, HTGY19*N0902 and HTGZ19*N0902
	502511	Electrical Shock Label	All other models
	502506	Pinched Fingers Label	All other models
13	29175	Grommet	
14	30907	Pressure Bulb	
15	800648P	Tubing	
16	39282	Hose Clamp	
17	801291	Outer Tub Assembly	Models BTEL15*N4065, BTEL17*N4065, BTEX15*N4065, BTEX17*N4065, HTEX17*N4064, HTEY17*N4064, NTEL17*N4064, NTEX17*N4064, NTEX17*N4067, NTGL19*N4067, NTGX19*N4067, STEX17*N4064, STEX17*N5754, STEY17*N4064 and STEY17*N5754
	801081P	Outer Tub Assembly	All other models
18	800622P	Tub Shock Absorber Kit	
19	800623P	Base Shock Absorber Kit	
20	00161	Grounding Clip	
21	800205	Ballast Weight	
22	804777P	Heating Element	Includes item 23; Models BTEL15*N4065, BTEL17*N4065, BTEX15*N4065, BTEX17*N4065, HTEX17*N4064, HTEY17*N4064, NTEL17*N4064, NTEX17*N4064, NTEX17*N4067, NTGL19*N4067, NTGX19*N4067, STEX17*N4064, STEX17*N5754, STEY17*N4064 and STEY17*N5754
23	803256	Thermistor	Models BTEL15*N4065, BTEL17*N4065, BTEX15*N4065, BTEX17*N4065, HTEX17*N4064, HTEY17*N4064, NTEL17*N4064, NTEX17*N4064, NTEX17*N4067, NTGL19*N4067, NTGX19*N4067, STEX17*N4064, STEX17*N5754, STEY17*N4064 and STEY17*N5754
24	801093P	Element to Contactor Harness	Models BTEL15*N4065, BTEL17*N4065, BTEX15*N4065, BTEX17*N4065, HTEX17*N4064, HTEY17*N4064, NTEL17*N4064, NTEX17*N4064, NTEX17*N4067, NTGL19*N4067, NTGX19*N4067, STEX17*N4064, STEX17*N5754, STEY17*N4064 and STEY17*N5754
25	804778P	Heating Element	Models BTEL15*N4065, BTEL17*N4065, BTEX15*N4065, BTEX17*N4065, HTEX17*N4064, HTEY17*N4064, NTEL17*N4064, NTEX17*N4064, NTEX17*N4067, NTGL19*N4067, NTGX19*N4067, STEX17*N4064, STEX17*N5754, STEY17*N4064 and STEY17*N5754
26	800432P	Tub Front Seal	
27	800312	Clamp Ring	

\* Add Letter To Designate Color. Q - Bisque W - White

# Inner Basket, Trunnion, Bearing Housing and Pulley



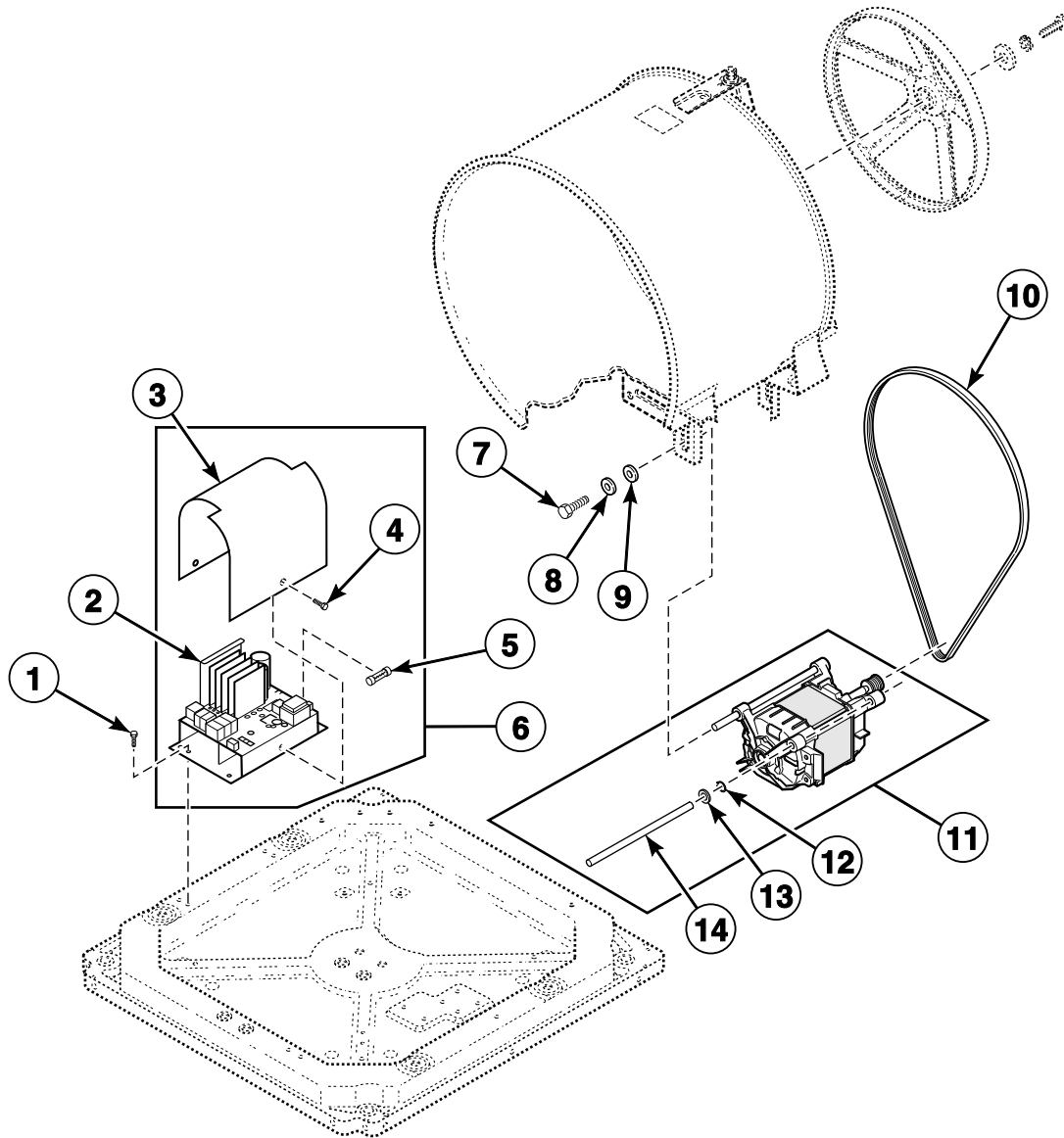
FLW865P\_801773



## Inner Basket, Trunnion, Bearing Housing and Pulley

REF	PART NO.	DESCRIPTION	COMMENTS
	27604P	Anti-Seize Compound	Pulley to inner basket shaft
	838P3	Hardware Kit	Includes (8) of item 6, (7) each of items 7 and 13, (6) of item 10, (1) each of items 12, 14, 17, 18 and 27604P Anti-Seize Compound
<b>1</b>	800666	Tension Rod Assembly	
<b>2</b>	803007P	Inner Basket Assembly	Includes (3) each of items 1, 5, 6, and 838P3 Hardware Kit
<b>3</b>	800749P	Trunnion Shaft and Hardware Kit	Includes (3) each of items 1, 5, 6, and 838P3 Hardware Kit
<b>4</b>	800429P	Inner Basket Assembly	Includes items 2, 3, (3) each of items 1, 5, 6, and 838P3 Hardware Kit
<b>5</b>	685844	Nut	
<b>6</b>	800457	Washer	
<b>7</b>	F430218	Nut	
<b>8</b>	800552	Hose Mounting Plate	
<b>9</b>	800553	Hose Clip	
<b>10</b>	685847	Pop Rivet	
<b>11</b>	800866	Driven Pulley	
<b>12</b>	685831	Screw	Left hand thread
<b>13</b>	M403958	Washer	
<b>14</b>	800464	Washer	
<b>15</b>	M400043	Screw	
<b>16</b>	800428P	Bearing Housing Kit	Includes 838P3 Hardware Kit
<b>17</b>	800432P	Tub Front Seal	
<b>18</b>	800462	Screw	

# Washer Motor and Belt



FLW967P\_801773

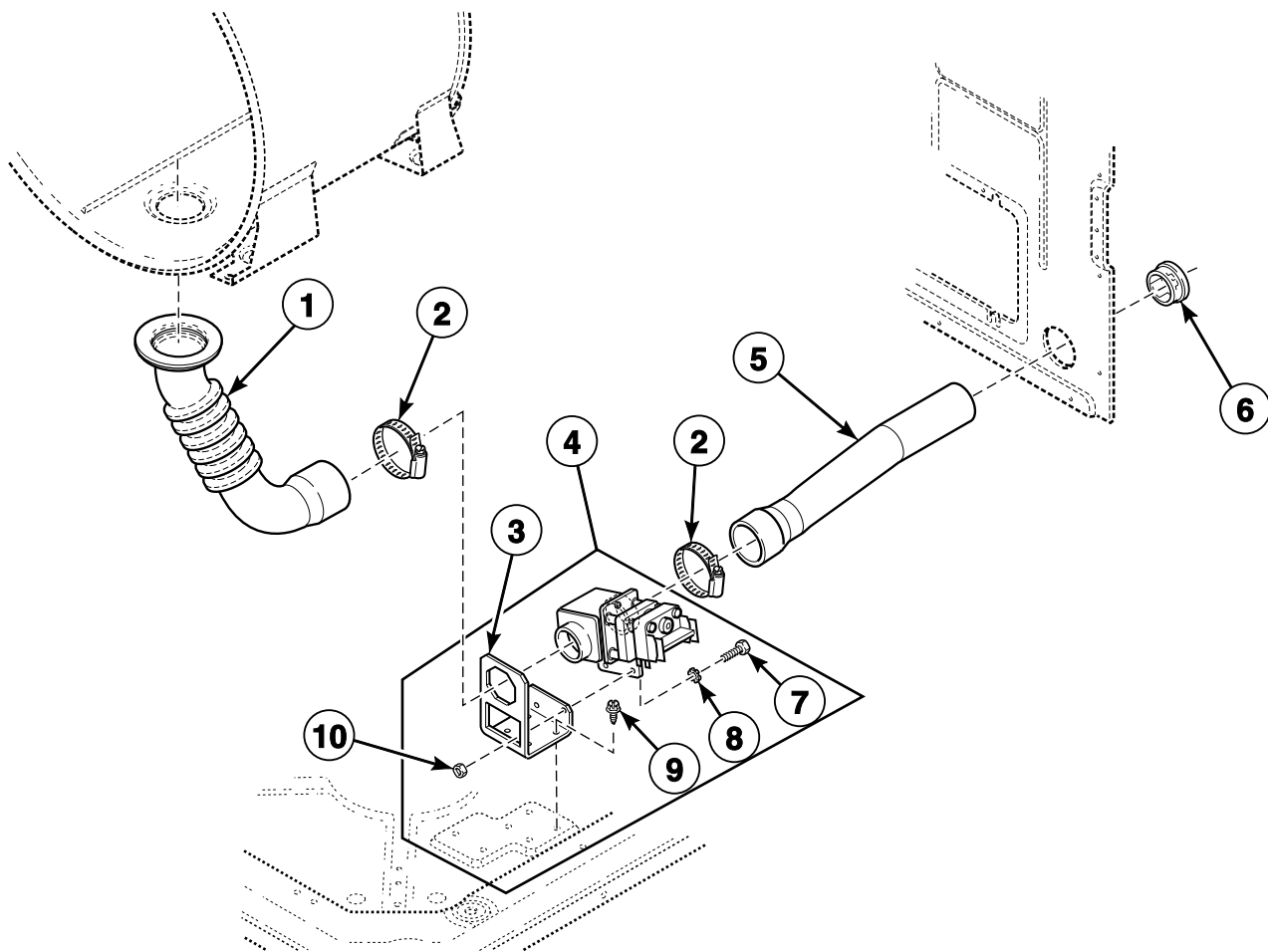
## Washer Motor and Belt

REF	PART NO.	DESCRIPTION	COMMENTS
1	503661	Screw	
2	803254P	Inverter Control Assembly	120 Volt; Models HTEB17*N2802, HTET17*N2802, HTEX17*N2802, HTEX17*N2902, HTEY17*N2802, HTEZ17*N2802, HTGB19*N0902, HTGT19*N0902, HTGX19*N0902, HTGY19*N0902 and HTGZ19*N0902
	803255P	Inverter Control Assembly	240 Volt; All other models
3	801061	Control Shield	
4	501524	Screw	
5	801755	Fuse	10 Amp
6	801526P	Inverter Assembly Kit	120 Volt; Models HTEB17*N2802, HTET17*N2802, HTEX17*N2802, HTEX17*N2902, HTEY17*N2802, HTEZ17*N2802, HTGB19*N0902, HTGT19*N0902, HTGX19*N0902, HTGY19*N0902 and HTGZ19*N0902; Includes items 2-4, 801063P Motor Harness Assembly and wire ties
	801527P	Inverter Assembly Kit	240 Volt; All other models; Includes items 2-4, 801063P Motor Harness Assembly and wire ties
7	M400057	Screw	
8	02834	Washer	
9	M400080	Washer	
10	800319P	Drive Belt	
11	801684P	Motor and Rod Assembly Kit	Includes 2 each of items 12-14 and wire ties
12	23748	Retaining Ring	
13	52549	Washer	
14	801062	Motor Mount Rod	

\* Add Letter To Designate Color. Q - Bisque W - White

# Drain Hoses and Valve

Models BTEL15\*N4065 and BTEX15\*N4065



FLW888P\_801773

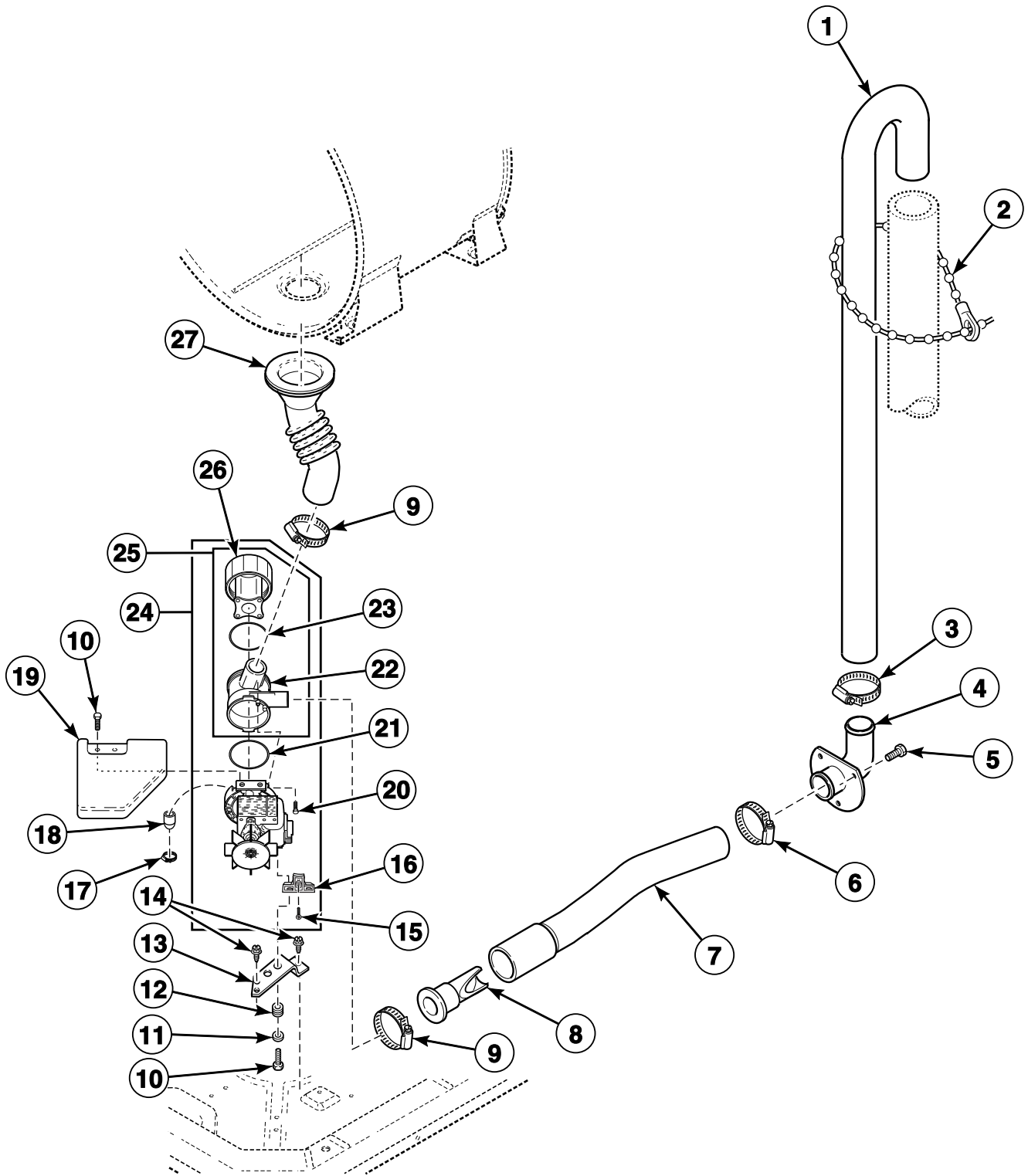
## Drain Hoses and Valve

REF	PART NO.	DESCRIPTION	COMMENTS
1	800902	Tub-to-Drain Hose	
	27615P	Sealant	Tub-to-drain hose to outer tub
2	685725	Hose Clamp	
3	803291	Gravity Drain Bracket	
4	F976P3	Drain Valve Kit	Includes items 3 and 7-10
5	800903	Drain-to-Cabinet Hose	
6	503235	Snap Bushing	
7	02916	Screw	
8	M400017	Washer	
9	503661	Screw	
10	29786	Nut	

\* Add Letter To Designate Color. Q - Bisque W - White

# Hoses and Pump

All Models Except BTEL15\*N4065 and BTEX15\*N4065



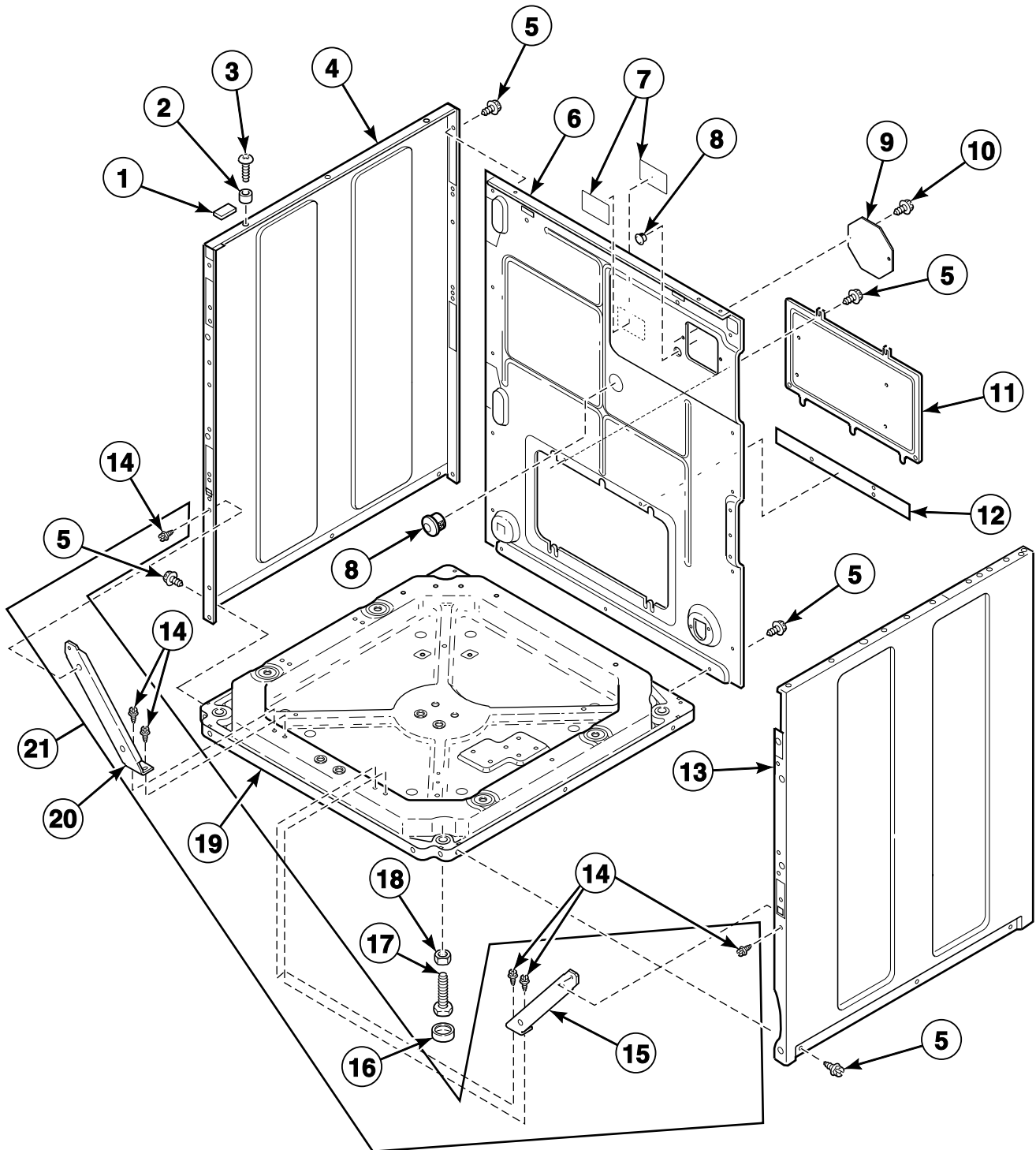
FLW917P\_801773

# Hoses and Pump

REF	PART NO.	DESCRIPTION	COMMENTS
1	27154	Drain Hose	
2	33489	Standpipe Strap	
3	20211	Hose Clamp	
4	35766	Drain Hose Elbow	
5	52909	Screw	
6	20391	Hose Clamp	
7	685737	Pump-to-Elbow Hose	
8	800310	Backflow Preventer	
9	36802	Hose Clamp	
10	38096	Screw	Metric; Use with 685703, 801267 or 801380 Drain Pump
	501285	Screw	Use with 801015, 801080 or 802221 Drain Pump
11	800465	Washer	Use with 685703, 801267, 801380, 801015, 801080 or 802221 Drain Pump
12	802218	Grommet	Use with 685703, 801267, 801380, 801015, 801080 or 802221 Drain Pump
13	802219	Pump Bracket	Use with 685703, 801267, 801380, 801015, 801080 or 802221 Drain Pump
	802626	Pump Mount Bracket	Use with 802623, 802624 or 802625 Drain Pump
14	503661	Screw	
15	802430	Screw	Use with 801015, 801080, 802221, 802623, 802624 or 802625 Drain Pump
16	802432	Pump Mount	Use with 801015, 801080 or 802221 Drain Pump
17	F200206	Hose Clamp	Use with 685703, 801267 or 801380 Drain Pump
18	801112	Nozzle Cap	Use with 685703, 801267 or 801380 Drain Pump
19	38067	Pump Shield	Use with 685703, 801267 or 801380 Drain Pump
20	802431	Screw	Use with 801015, 801080, 802221, 802623, 802624 or 802625 Drain Pump
21	802487	O-Ring	Use with 685703, 801267 or 801380 Drain Pump
	802429P	O-Ring	Use with 801015, 801080, 802221, 802623, 802624 or 802625 Drain Pump
22	801208	Pump Housing	Use with 685703, 801267 or 801380 Drain Pump
	802428	Pump Housing	Use with 801015, 801080, 802221, 802623, 802624 or 802625 Drain Pump
23	801207	O-Ring	Use with 685703, 801267 or 801380 Drain Pump
	802427	Gasket	Use with 801015, 801080, 802221, 802623, 802624 or 802625 Drain Pump
24	802624P	Drain Pump	Includes pump mount bracket; Models BTEL17*N4065, BTEX17*N4065, HTEX17*N4064, HTEY17*N4064, NTEL17*N4064, NTEX17*N4064, NTEX17*N4067, NTGL19*N4067, NTGX19*N4067, STEA17*N4350, STEF17*N4350, STEX17*N3000, STEX17*N3020, STEX17*N3069, STEX17*N4064, STEX17*N4350, STEY17*N4064, STGX19*N3000, STGX19*N3060 and STGX19*N3069
	802625P	Drain Pump	Includes pump mount bracket; Models STEX17*N3300, STEX17*N5754 and STEY17*N5754
	802623P	Drain Pump	Includes pump mount bracket; All other models
25	801209	Pump Housing Assembly	Includes items 22, 23 and 26; Use with 685703, 801267 or 801380 Drain Pump
	802434P	Pump Housing Assembly	Includes items 22, 23 and 26; Use with 801015, 801080, 802221, 802623, 802624 or 802625 Drain Pump
26	801206P	Lid Assembly	Includes filter; Use with 685703, 801267 or 801380 Drain Pump
	802426P	Lid Assembly	Includes filter; Use with 801015, 801080, 802221, 802623, 802624 or 802625 Drain Pump
27	800317	Tub-to-Pump Hose	
	27615P	Sealant	Tub-to-pump hose to outer tub

\* Add Letter To Designate Color. Q - Bisque W - White

# Washer Base, Side Panels and Rear Panel



SWD1172P\_801773



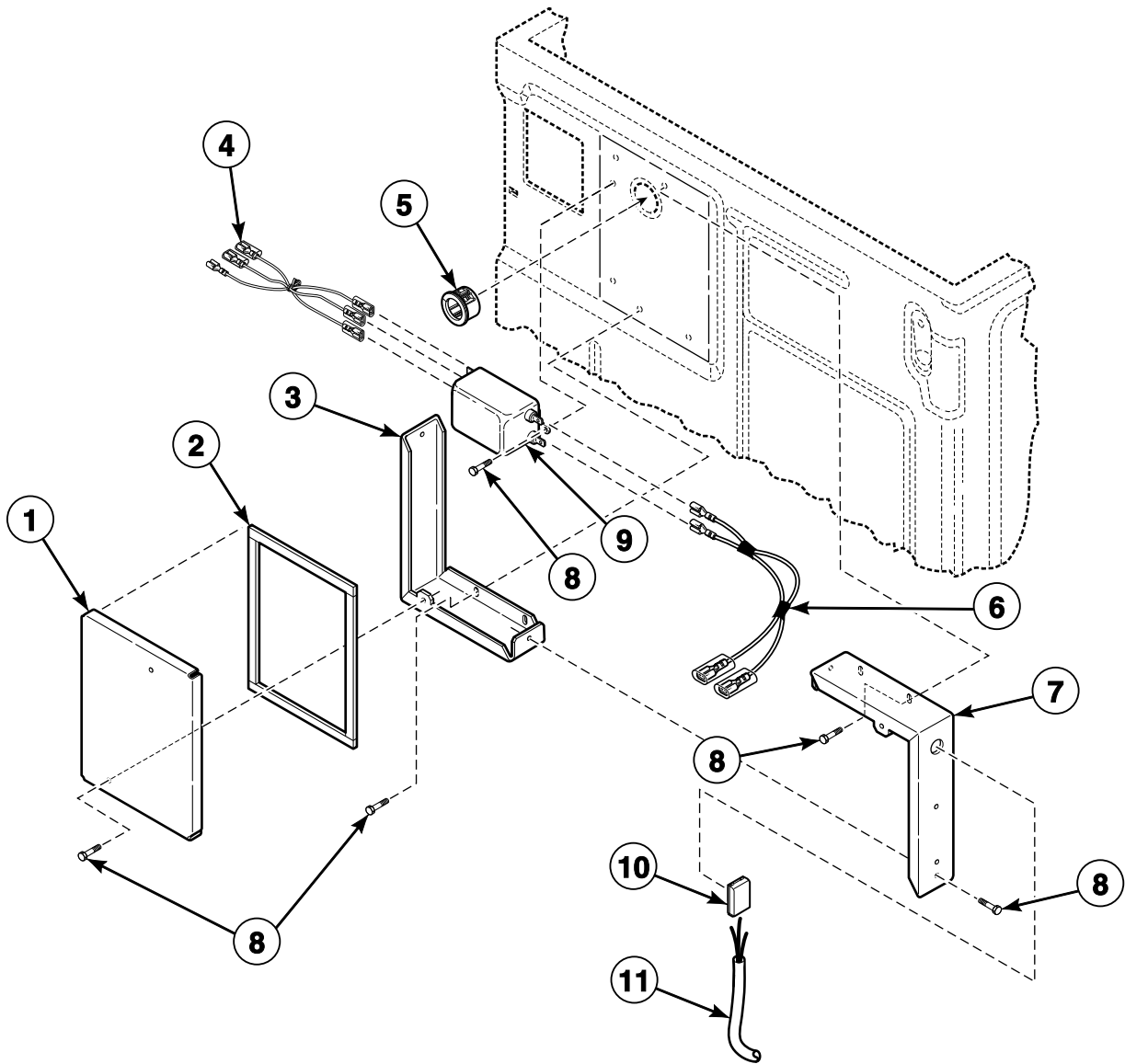
## Washer Base, Side Panels and Rear Panel

REF	PART NO.	DESCRIPTION	COMMENTS
1	56128	Bumper Pad	
2	56079	Panel Locator	
3	39733	Screw	
4	800004WP	Cabinet Panel Kit	White; Left; Includes corner gusset with hardware
	800004QP	Cabinet Panel Kit	Bisque; Left; Includes corner gusset with hardware
5	503661	Screw	
6	801629	Rear Panel	Models STEA17*N4350, STEF17*N4350, STEX17*N3000, STEX17*N3020, STEX17*N3069, STEX17*N3300, STEX17*N4350, STGX19*N3000, STGX19*N3060 and STGX19*N3069
	801216	Rear Panel	Models BTEL15*N4065 and BTEX15*N4065
	800010P	Rear Panel	All other models
7	685928	Screw Label	Left hand thread
8	M402542	Snap Bushing	
9	61203	Thermostat Opening Cover	Models HTEB17*N2802, HTET17*N2802, HTEX17*N2802, HTEX17*N2902, HTEX17*N4064, HTEY17*N2802, HTEY17*N4064, HTEZ17*N2802, HTGB19*N0902, HTGT19*N0902, HTGX19*N0902, HTGY19*N0902, NTEL17*N4064, NTEX17*N4064, NTEX17*N4067, NTGL19*N4067, NTGX19*N4067, STEX17*N4064, STEX17*N5754, STEY17*N4064 and STEY17*N5754
10	M405188	Screw	
11	800011	Rear Access Panel	
12	801702	Motor Access Hole Edging	
13	800005WP	Side Panel Kit	White; Right; Includes 801024 Dispenser Plate with hardware
	800005QP	Side Panel Kit	Bisque; Right; Includes 801024 Dispenser Plate with hardware
14	31645	Screw	
15	801492	Cabinet Brace	Right
16	34318	Rubber Foot	
17	34319	Leveling Leg	
18	21899	Nut	
19	802245	Base Assembly	
20	801491	Cabinet Brace	Left
21	918P3	Brace Kit	Includes items 14, 15 and 20

\* Add Letter To Designate Color. Q - Bisque W - White

# Junction Box

Models STEA17\*N4350, STEF17\*N4350, STEX17\*N3000, STEX17\*N3020, STEX17\*N3069, STEX17\*N3300, STEX17\*N4350, STGX19\*N3000, STGX19\*N3060 and STGX19\*N3069



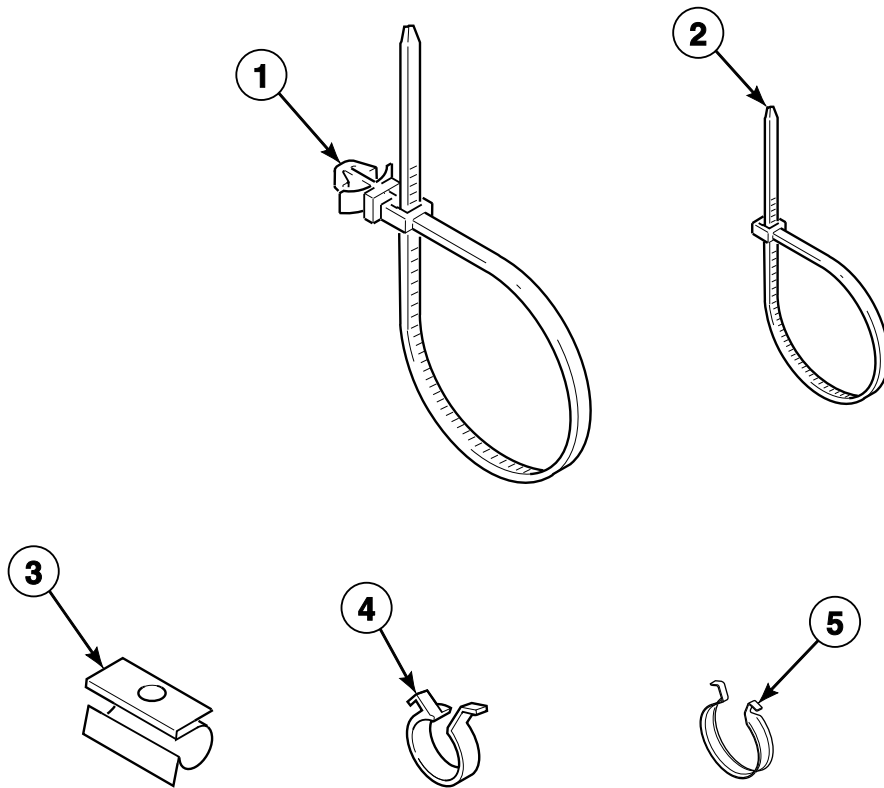
SWD1213P\_801773

# Junction Box

REF	PART NO.	DESCRIPTION	COMMENTS
1	801404	Junction Box Cover	
2	801425P	Junction Box Seal	4 required
3	801433	Lower Junction Box	
4	801420	Wire Harness Assembly	Line filter to power cord terminal block
5	M402542	Snap Bushing	
6	801421	Wire Harness Assembly	Line filter to control harness
7	801403	Junction Box	
8	503661	Screw	
9	201058	Line Filter	
10	39922	Cable Connection Box	
11	801450	Power Cord Assembly	Models STEX17*N3000, STEX17*N3300 and STGX19*N3000
	39931	Power Cord Assembly	Models STEA17*N4350, STEF17*N4350, STEX17*N4350 and STGX19*N3060; Includes plug
	39926	Lead-In Cord	Model STEX17*N3020; Includes plug
	39925	Power Cord Assembly	Model STEX17*N3069; Includes plug

\* Add Letter To Designate Color. Q - Bisque W - White

# Wire Ties and Harness Clips

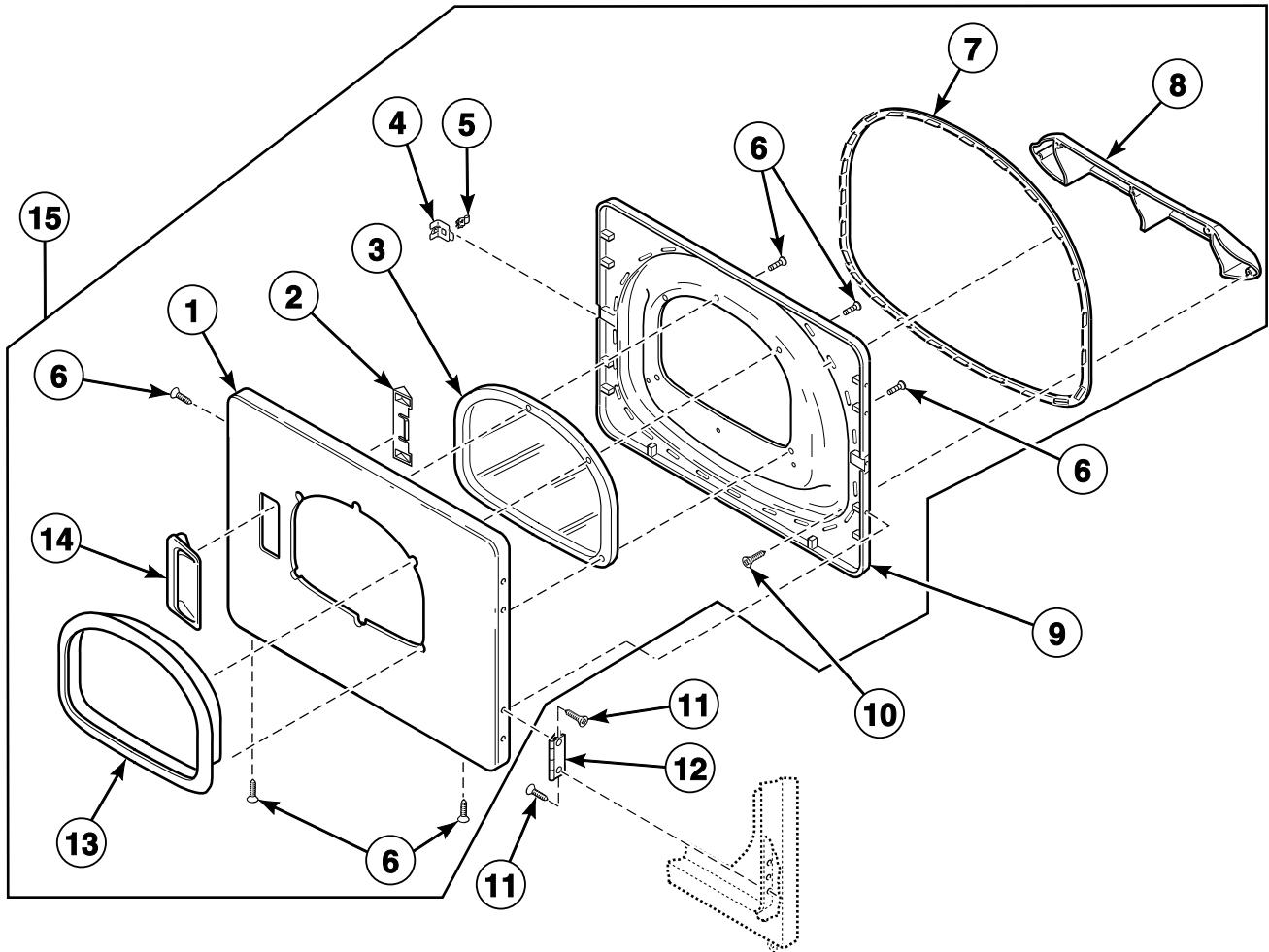


SWD1145P\_801773

## Wire Ties and Harness Clips

REF	PART NO.	DESCRIPTION	COMMENTS
1	38663	Wire Tie	Push mount
2	55881	Harness Strap	
3	36985	Hose Clip	
4	504034	Wire Clip	Small
5	687500	Wire Clip	Large

# Dryer Loading Door with Window



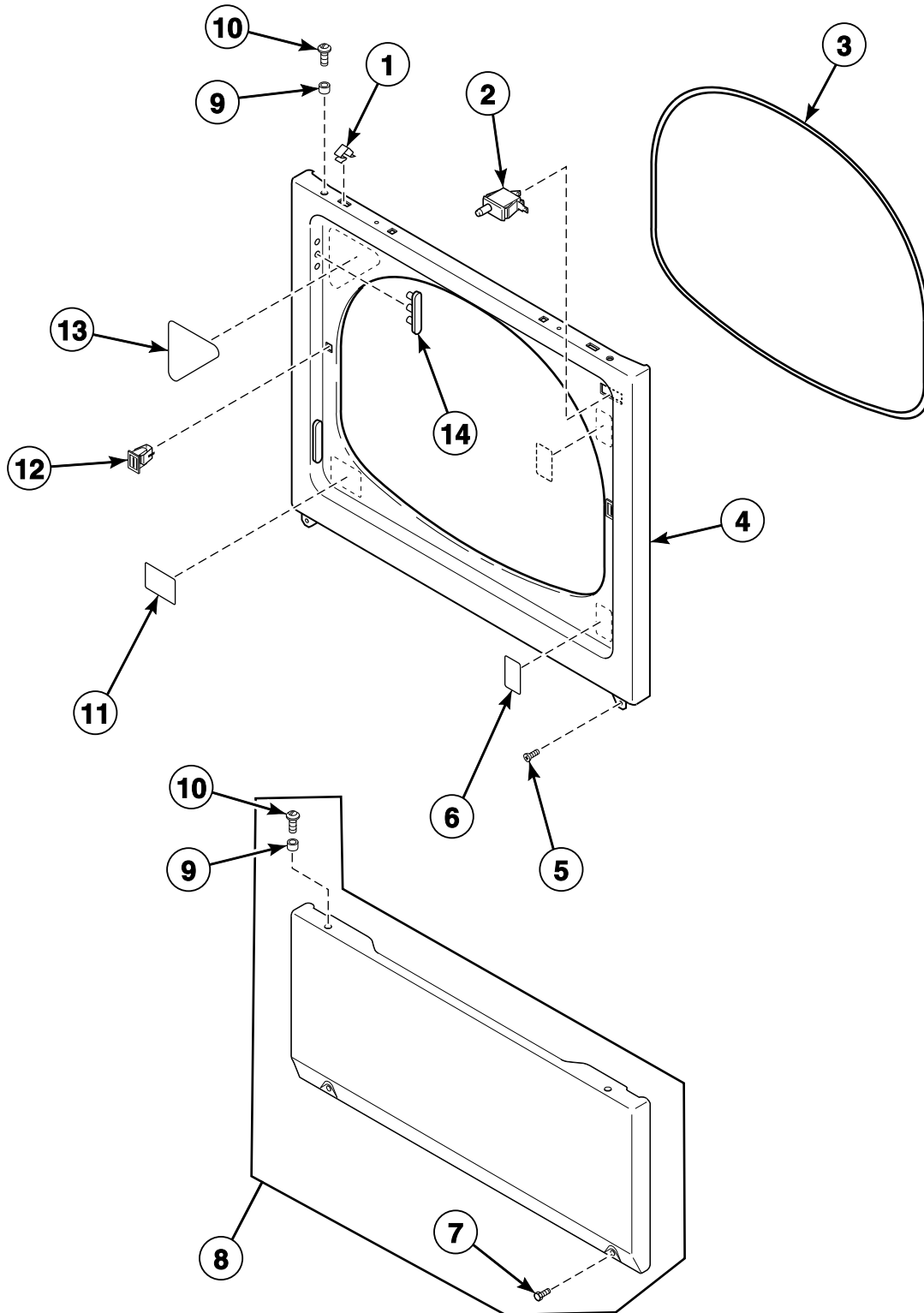
D427P\_801773

## Dryer Loading Door with Window

REF	PART NO.	DESCRIPTION	COMMENTS
1	510082WP	Dryer Door	White
	510082LP	Dryer Door	Almond
	510082QP	Dryer Door	Bisque
2	510129	Door Handle Wedge	
3	503982P	Dryer Door Window	
4	510127	Door Strike Mount	
5	510181	Door Strike	
6	500226	Screw	
7	510147P	Liner Door Seal	
8	503870W	Door Liner Grill	
9	510098W	Liner and Seal Assembly	Includes item 7
10	505870	Screw	
11	505295	Screw	
12	511036	Hinge	
13	512006	Window Trim	Gray; Models BTEL15*N4065, BTEL17*N4065, BTEX15*N4065 and BTEX17*N4065
	503981W	Window Trim	White; All other models
	503981Q	Window Trim	Bisque; All other models
14	510103WP	Door Pull and Wedge Kit	White; Includes item 2
	510103QP	Door Pull and Wedge Kit	Bisque; Includes item 2
15	511636WP	Door and Liner Assembly	White; Includes items 1-10, 13 and 14
	511636QP	Door and Liner Assembly	Bisque; Includes items 1-10, 13 and 14

\* Add Letter To Designate Color. Q - Bisque W - White

# Dryer Access Panel, Front Panel and Seal



D400PE3A\_801773

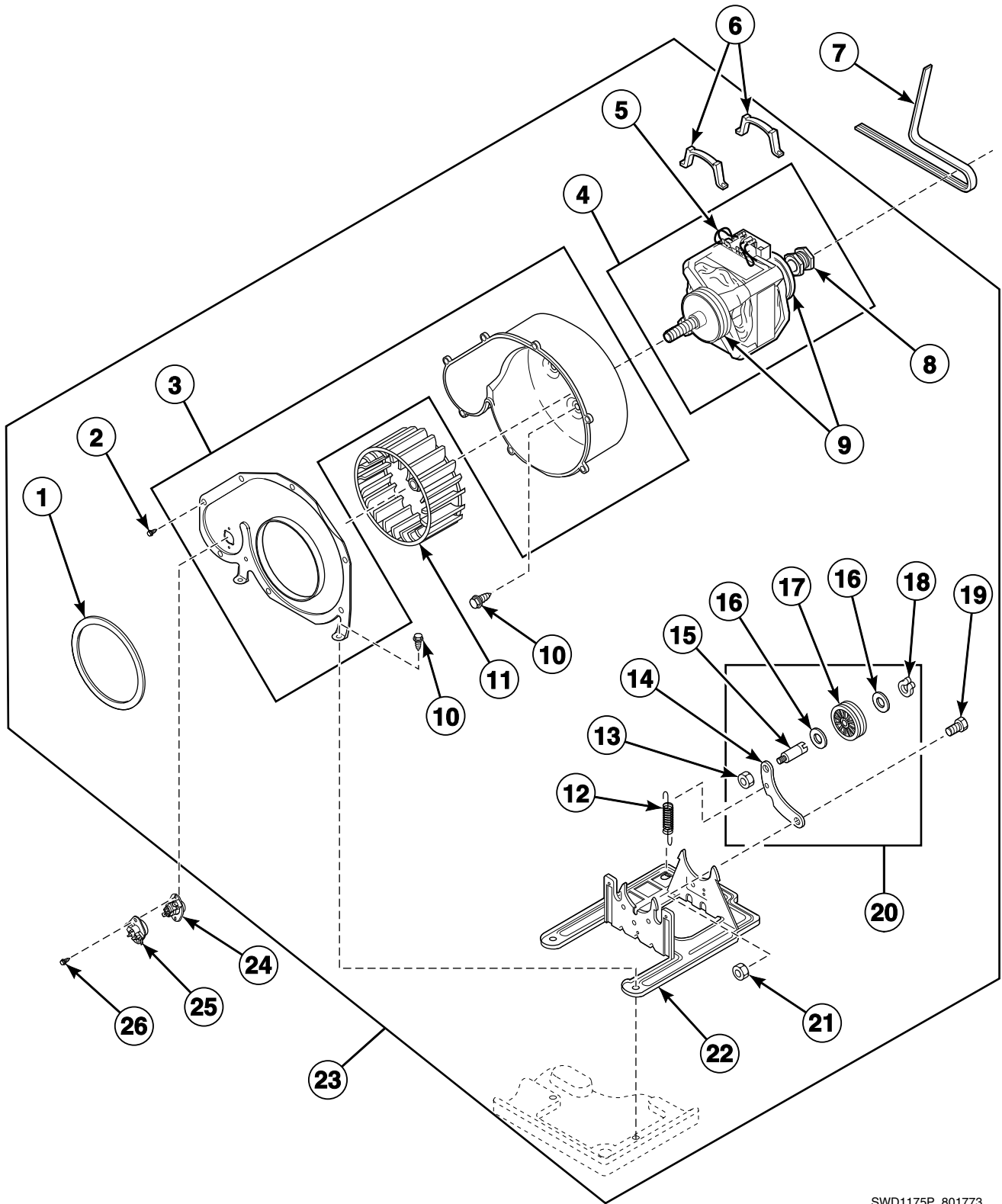


## Dryer Access Panel, Front Panel and Seal

REF	PART NO.	DESCRIPTION	COMMENTS
1	28835	Speed Clip	
2	512973	Switch	
3	511056	Front Panel Seal	
4	510066WP	Front Panel	White
	510066QP	Front Panel	Bisque
5	503688	Screw	
6	512263	Warning Label	Models STEA17*N4350, STEF17*N4350, STEX17*N4350 and STGX19*N3060
7	33562	Screw	Slotted hex head
	62853	Screw	Torx head; Optional for added security
8	514250WP	Access Panel Assembly	White
	514250Q	Access Panel Assembly	Bisque
9	56079	Panel Locator	
10	39733	Screw	
11	502804	Clean Lint Label	Models STEA17*N4350, STEF17*N4350, STEX17*N4350 and STGX19*N3060
12	510177	Door Catch Assembly	
13	500253	Caution Label	Models HTEB17*N2802, HTET17*N2802, HTEX17*N2802, HTEX17*N2902, HTEY17*N2802, HTEZ17*N2802, HTGB19*N0902, HTGT19*N0902, HTGX19*N0902, HTGY19*N0902 and HTGZ19*N0902
	500281	Warning/Caution Label	All other models
14	510186	Hinge Hole Plug	

\* Add Letter To Designate Color. Q - Bisque W - White

# Dryer Motor, Blower Fan and Belt



SWD1175P\_801773

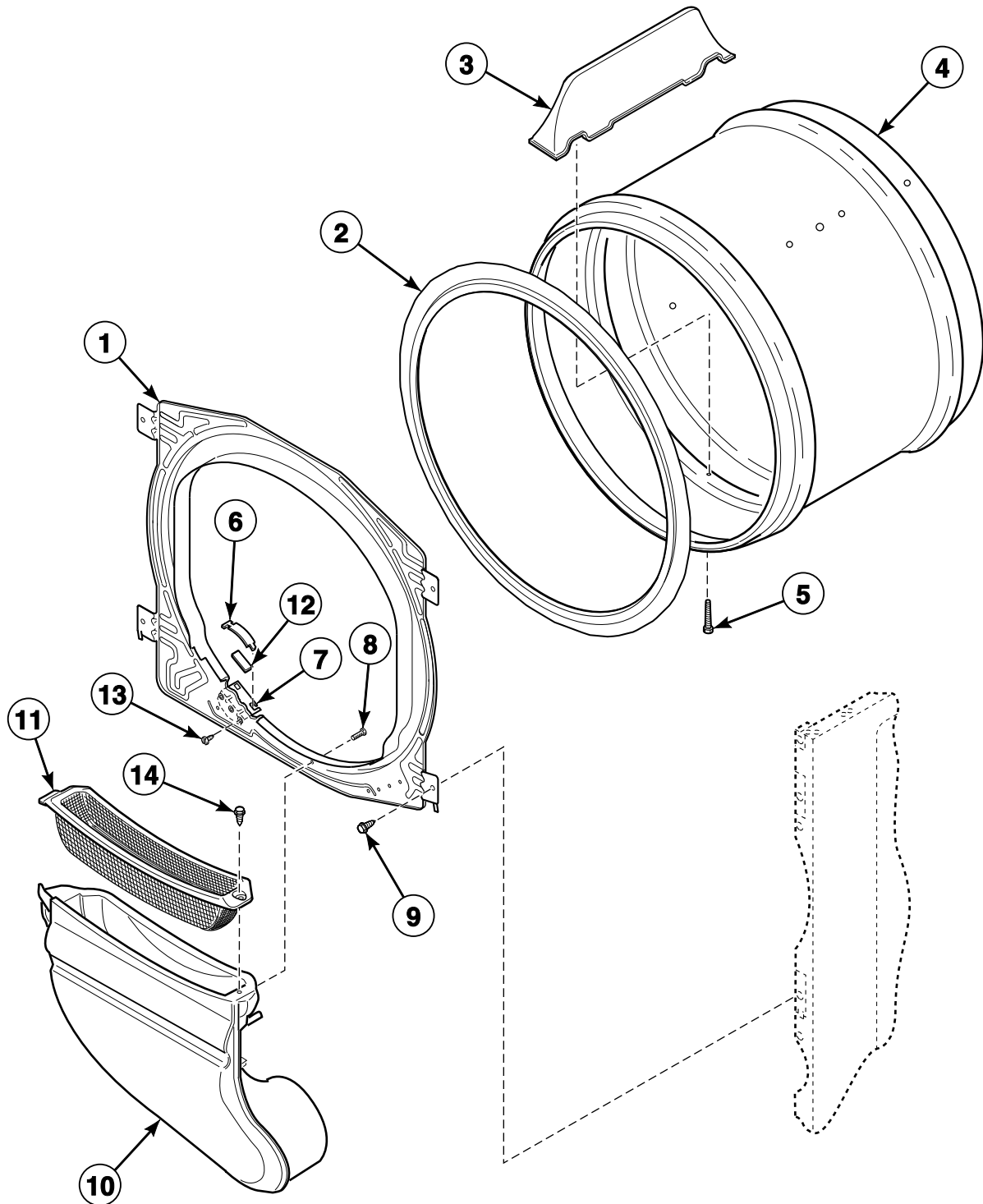
## Dryer Motor, Blower Fan and Belt

REF	PART NO.	DESCRIPTION	COMMENTS
1	510238P	Blower Housing Seal	
2	31260	Screw	
3	511969WP	Blower Housing	
4	505869P	Motor and Pulley Assembly	240 Volt/60 Hertz; Includes items 5 and 8; Models STEX17*N3300, STEX17*N5754 and STEY17*N5754
	505843P	Motor and Pulley Assembly	240 Volt/50 Hertz; Includes items 5 and 8; Models BTEL15*N4065, BTEL17*N4065, BTEX15*N4065, BTEX17*N4065, HTEX17*N4064, HTEY17*N4064, NTEL17*N4064, NTEX17*N4064, NTEX17*N4067, NTGL19*N4067, NTGX19*N4067, STEA17*N4350, STEF17*N4350, STEX17*N3000, STEX17*N3020, STEX17*N3069, STEX17*N4064, STEX17*N4350, STEY17*N4064, STGX19*N3000, STGX19*N3060 and STGX19*N3069
	511629P	Motor and Pulley Assembly	120 Volt/60 Hertz; Includes items 5, 8 and 9; All other models
5	N/A	Motor Switch Kit	Does not include thermal protector
6	510180	Motor Mount Clamp	
7	511255P	Cylinder Belt	
8	500011	Motor Pulley	60 Hertz
	500222	Motor Pulley	50 Hertz
9	590P3	Motor Hub Ring Kit	
10	503688	Screw	
11	510139P	Blower Fan Assembly	
12	510185	Idler Spring	
13	56156	Nut	
14	510133	Idler Lever	
15	56461P	Shaft	
16	52549	Washer	
17	510142P	Idler Wheel and Bearing Assembly	
18	23748	Retaining Ring	
19	500824	Screw	
20	510158	Idler Lever and Wheel Assembly	Includes items 13-18
21	52566	Nut	
22	510060	Motor Mount	
23	510717P	Blower and Fan Kit	Models HTEB17*N2802, HTET17*N2802, HTEX17*N2802, HTEX17*N2902, HTEY17*N2802, HTEZ17*N2802, HTGB19*N0902, HTGT19*N0902, HTGX19*N0902, HTGY19*N0902 and HTGZ19*N0902; 120 Volt/60 Hertz; Includes items 1-6 and 8-22
24	M411941	Manual Reset Thermostat	Model STGX19*N3060
25	510523	Thermistor Assembly	Models HTEB17*N2802, HTET17*N2802, HTEX17*N2802, HTEX17*N2902, HTEY17*N2802, HTEZ17*N2802, HTGB19*N0902, HTGT19*N0902, HTGX19*N0902, HTGY19*N0902 and HTGZ19*N0902
	502366	Thermistor Assembly	All other models
26	23222	Screw	

\* Add Letter To Designate Color. Q - Bisque W - White

N/A = Part no longer available

# Front Bulkhead, Air Duct, Felt Seal and Cylinder

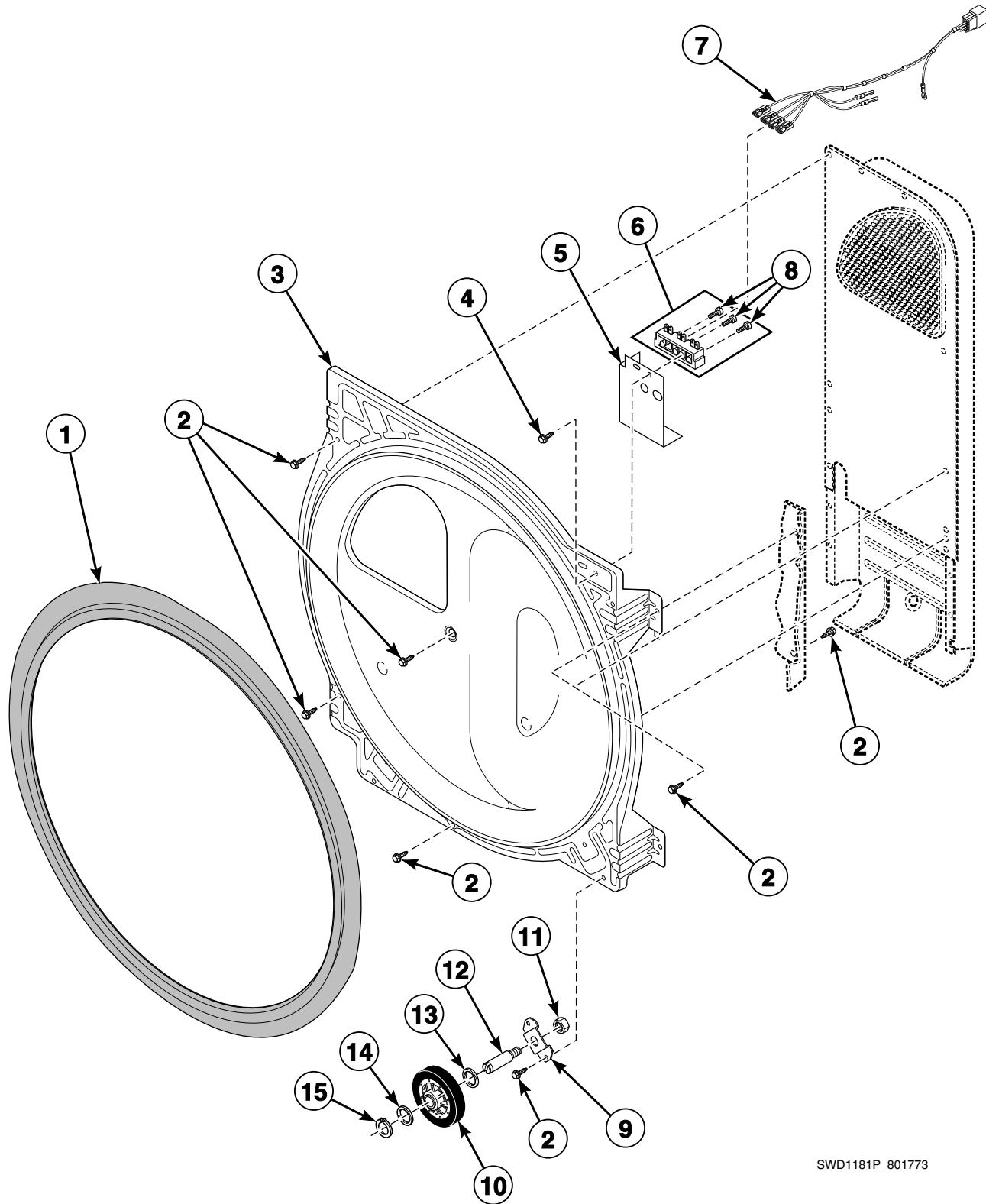


SWD56P\_801773

## Front Bulkhead, Air Duct, Felt Seal and Cylinder

REF	PART NO.	DESCRIPTION	COMMENTS
1	510266P	Front Bulkhead Assembly	Unpainted; Includes item 2
2	510207P	Cylinder Seal Assembly	
	511637P	Adhesive	For cylinder seal
3	510102W	Cylinder Baffle	
4	510265WP	Cylinder Assembly	Galvanized; Includes baffles
5	62588	Screw	
6	510188	Cylinder Glide	
7	510145	Cylinder Glide Bracket	
8	52864	Screw	
9	503688	Screw	
10	510151	Air Duct Assembly	
11	503980W	Lint Filter	
12	510189	Felt Pad	
13	505295	Screw	
14	501285	Screw	

# Rear Bulkhead, Felt Seal, Cylinder Roller and Terminal Block



SWD1181P\_801773

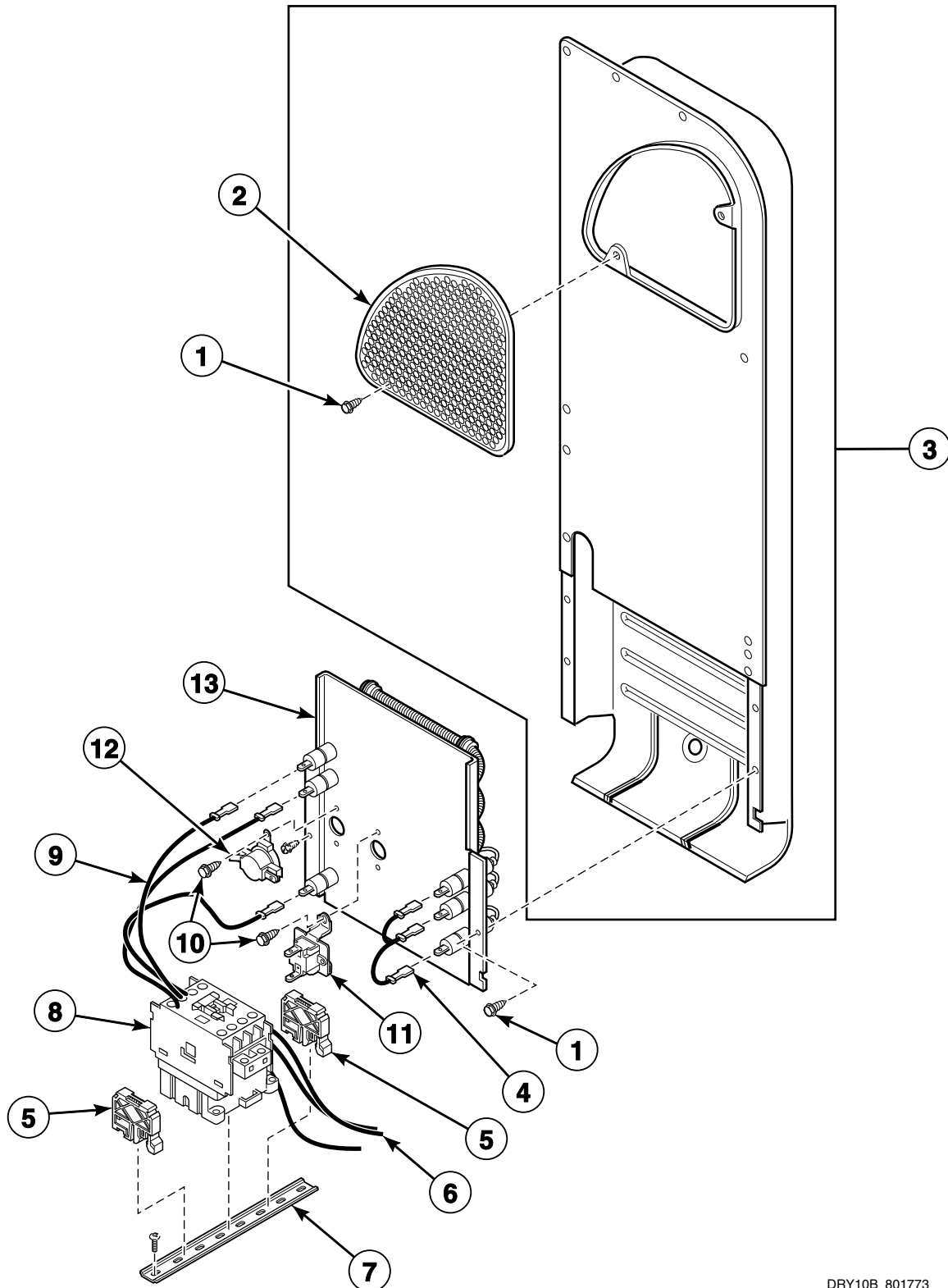
## Rear Bulkhead, Felt Seal, Cylinder Roller and Terminal Block

REF	PART NO.	DESCRIPTION	COMMENTS
1	510207P	Cylinder Seal Assembly	
	511637P	Adhesive	For cylinder seal
2	503688	Screw	
3	511082P	Rear Bulkhead Assembly	Galvanized; Includes item 1
4	501285	Screw	Electric models
5	505875	Terminal Block Support Bracket	Models BTEL15*N4065, BTEL17*N4065, BTEX15*N4065, BTEX17*N4065, HTEX17*N4064, HTEY17*N4064, NTEL17*N4064, NTEX17*N4064, STEX17*N4064 and STEY17*N4064
	510237	Terminal Block Shield	All other electric models
6	505876	Terminal Block Assembly	Models BTEL15*N4065, BTEL17*N4065, BTEX15*N4065, BTEX17*N4065, HTEX17*N4064, HTEY17*N4064, NTEL17*N4064, NTEX17*N4064, STEX17*N4064 and STEY17*N4064
	510190P	Terminal Block Assembly	Includes (3) of item 7; All other models
7	510622	Wire Harness Assembly	Power to washer; Models HTEB17*N2802, HTET17*N2802, HTEX17*N2802, HTEX17*N2902, HTEY17*N2802 and HTEZ17*N2802
	510621P	Wire Harness Assembly	Power to washer; Models HTGB19*N0902, HTGT19*N0902, HTGX19*N0902, HTGY19*N0902 and HTGZ19*N0902
8	61199	Screw	
9	510100	Cylinder Roller Bracket	
10	510708P	Cylinder Roller	
11	56156	Nut	
12	56461P	Shaft	
13	504082	Washer	
14	52549	Washer	
15	23748	Retaining Ring	

\* Add Letter To Designate Color. Q - Bisque W - White

# Heater Duct and Element Assembly (Drawing 1 of 2)

Models BTEL15\*N4065, BTEL17\*N4065, BTEX15\*N4065, BTEX17\*N4065, HTEX17\*N4064, HTEY17\*N4064, NTEL17\*N4064, NTEX17\*N4064, STEX17\*N4064 and STEY17\*N4064



DRY10B\_801773



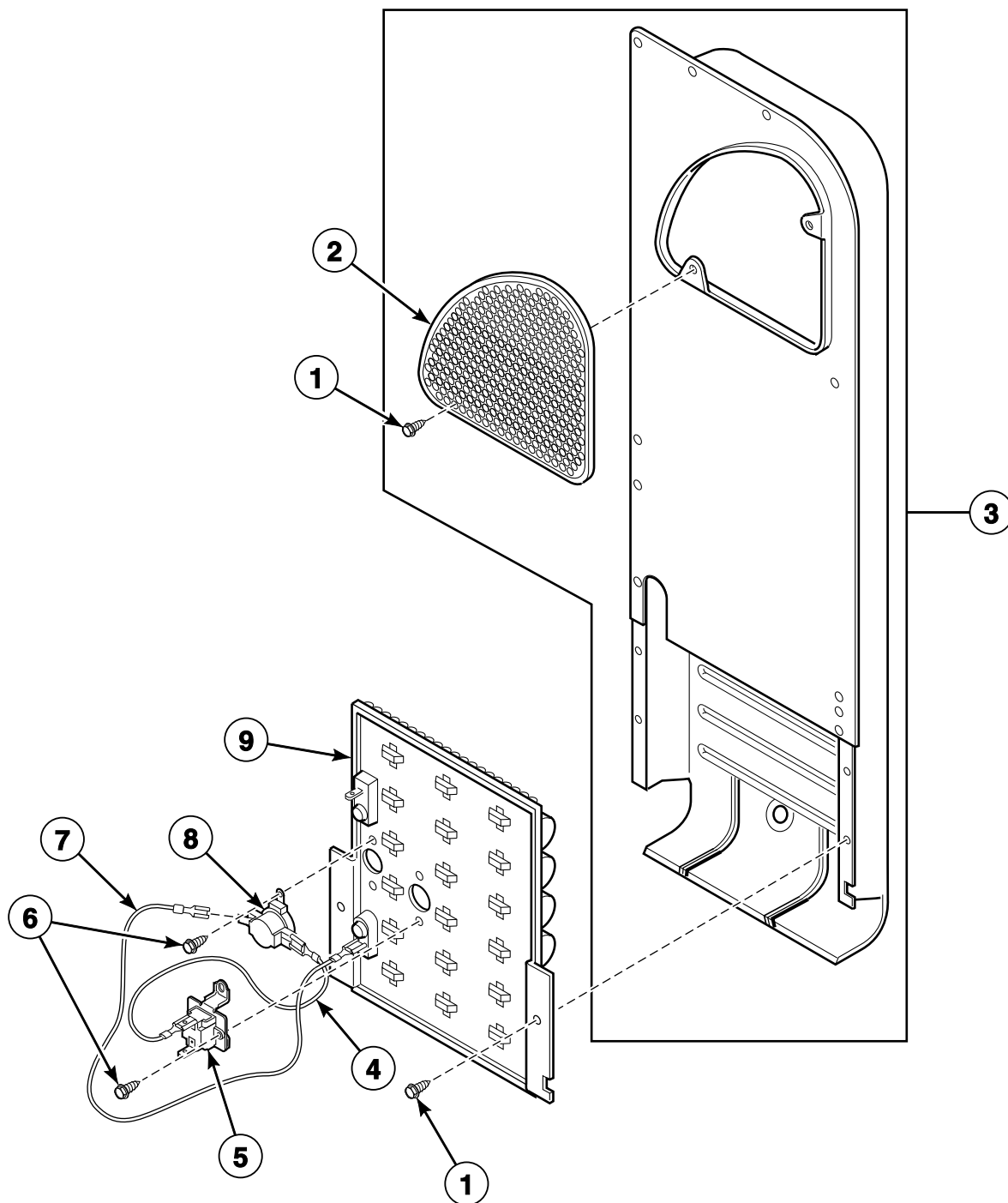
## Heater Duct and Element Assembly (Drawing 1 of 2)

REF	PART NO.	DESCRIPTION	COMMENTS
	756P3	Conversion Kit	400 Volt, 4 wire WYE to 240 Volt, 3 wire Delta
<b>1</b>	503688	Screw	
<b>2</b>	500820	Outlet Cover	
<b>3</b>	510025P	Heater Duct and Screw Assembly	Includes items 1 and 2
<b>4</b>	511270	Jumper Wire Assembly	3 Phase
<b>5</b>	70121001	End Stop	
<b>6</b>	511112P	Block to Relay Harness	Terminal block to contactor
<b>7</b>	M412693	Din Rail	
<b>8</b>	F330177P	Contactor	
<b>9</b>	511114P	Relay to Heater Harness	Contactor to heater
<b>10</b>	23222	Screw	
<b>11</b>	511412	Thermal Fuse Assembly	
<b>12</b>	510701	Limit Thermostat	
<b>13</b>	511014P	Heater	400 Volt/3 Phase

\* Add Letter To Designate Color. Q - Bisque W - White

# Heater Duct and Element Assembly (Drawing 2 of 2)

All Electric Model Dryers Except Models BTEL15\*N4065, BTEL17\*N4065, BTEX15\*N4065, BTEX17\*N4065, HTEX17\*N4064, HTEY17\*N4064, NTEL17\*N4064, NTEX17\*N4064, STEX17\*N4064 and STEY17\*N4064



DRY1789P\_801773

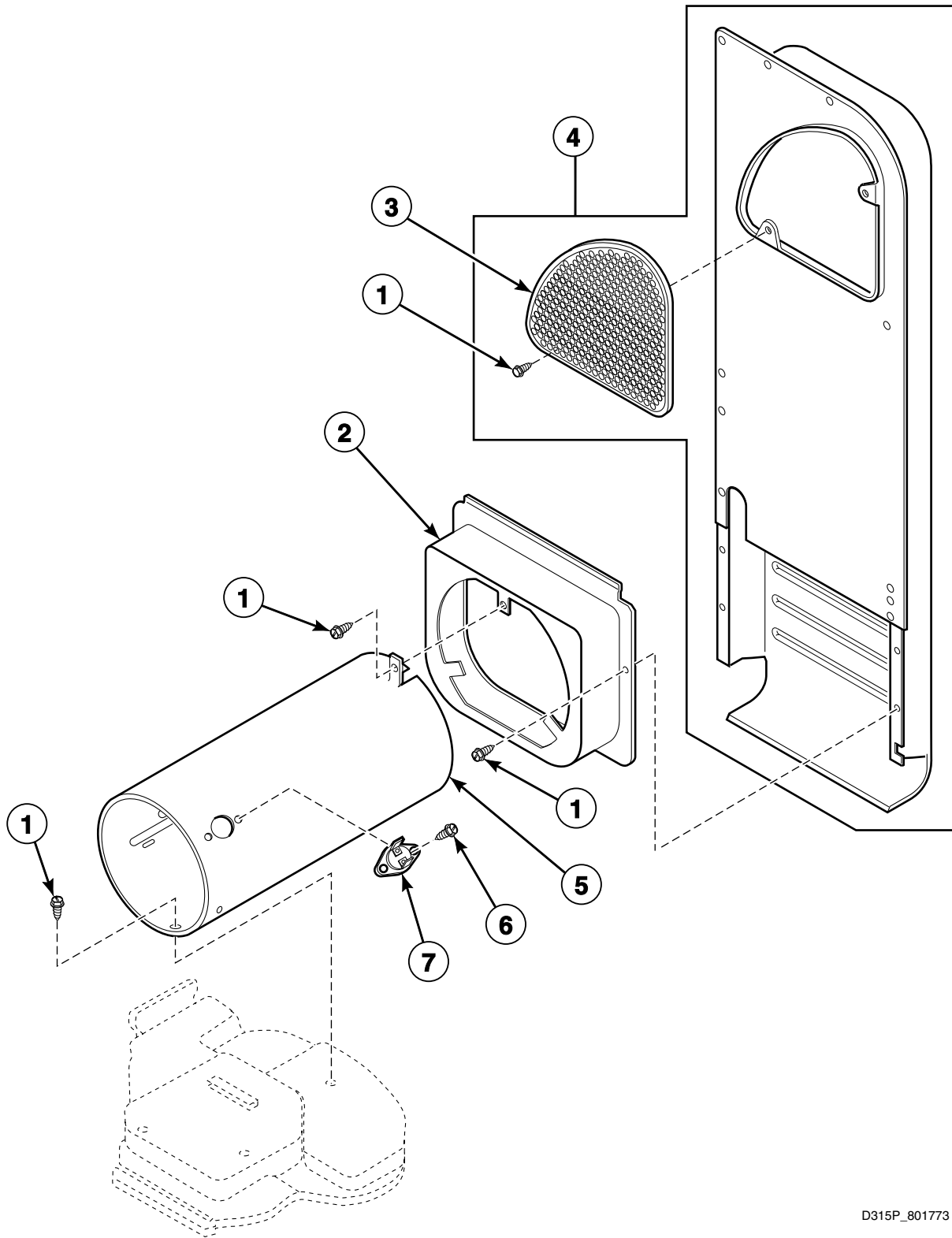
## Heater Duct and Element Assembly (Drawing 2 of 2)

REF	PART NO.	DESCRIPTION	COMMENTS
1	503688	Screw	
2	500820	Outlet Cover	
3	510025P	Heater Duct and Screw Assembly	Includes item 2
4	510528	Wire Assembly	Orange; Thermostat jumper
5	511412	Thermal Fuse Assembly	
6	23222	Screw	
7	510527	Wire Assembly	Black; Fuse jumper
8	510701	Limit Thermostat	
9	510326P	Heater Assembly	Models NTEX17*N4067, STEX17*N3000, STEX17*N3020 and STEX17*N3069; 4800 Watt; 240 Volt/50 Hertz
	510324P	Heater Assembly	Models HTEB17*N2802, HTET17*N2802, HTEX17*N2802, HTEY17*N2802, HTEZ17*N2802, STEX17*N3300, STEX17*N5754 and STEY17*N5754; 5000 Watt; 240 Volt/60 Hertz
	510327P	Heater Assembly	Models STEA17*N4350, STEF17*N4350 and STEX17*N4350; 4000 Watt; 240 Volt/50 Hertz
	510330P	Heater Assembly	Model HTEX17*N2902; 4250 Watt; 208 Volt/60 Hertz
	61928	Heater Kit Assembly	Models HTEB17*N2802, HTET17*N2802, HTEX17*N2802, HTEY17*N2802, HTEZ17*N2802, STEX17*N3300, STEX17*N5754 and STEY17*N5754; 4750 Watt; 208 Volt/60 Hertz

\* Add Letter To Designate Color. Q - Bisque W - White

# Heater Duct Assembly

Gas Model Dryers



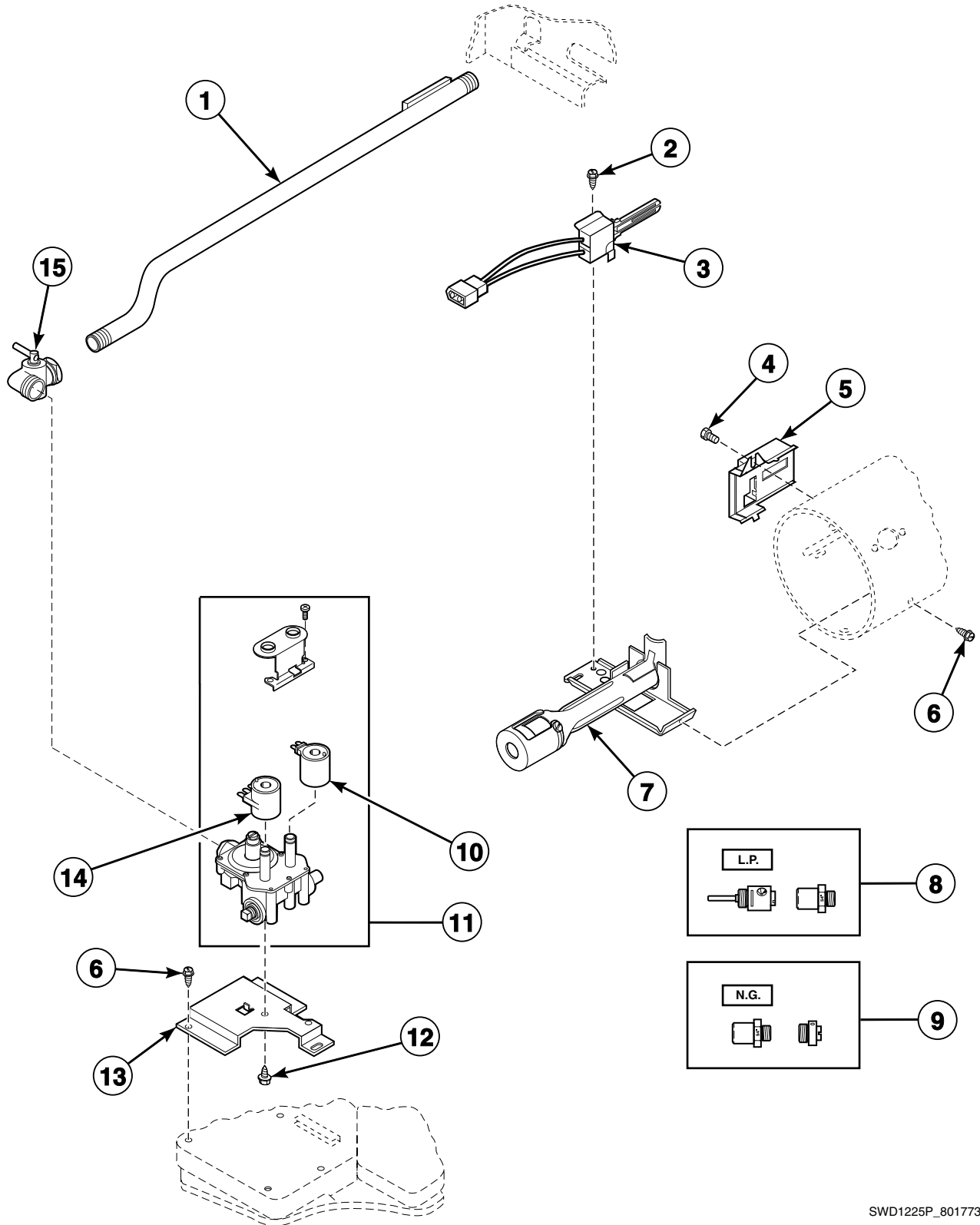
D315P\_801773

# Heater Duct Assembly

REF	PART NO.	DESCRIPTION	COMMENTS
1	503688	Screw	
2	510101	Heat Duct Shroud	
3	500820	Outlet Cover	
4	510025P	Heater Duct and Screw Assembly	Includes items 1 and 3
5	510131	Combustion Duct	
6	51782	Screw	
7	510702	Limit Thermostat	Color code "black"

# Gas Valve, Igniter and Gas Conversion Kits

Gas Model Dryers



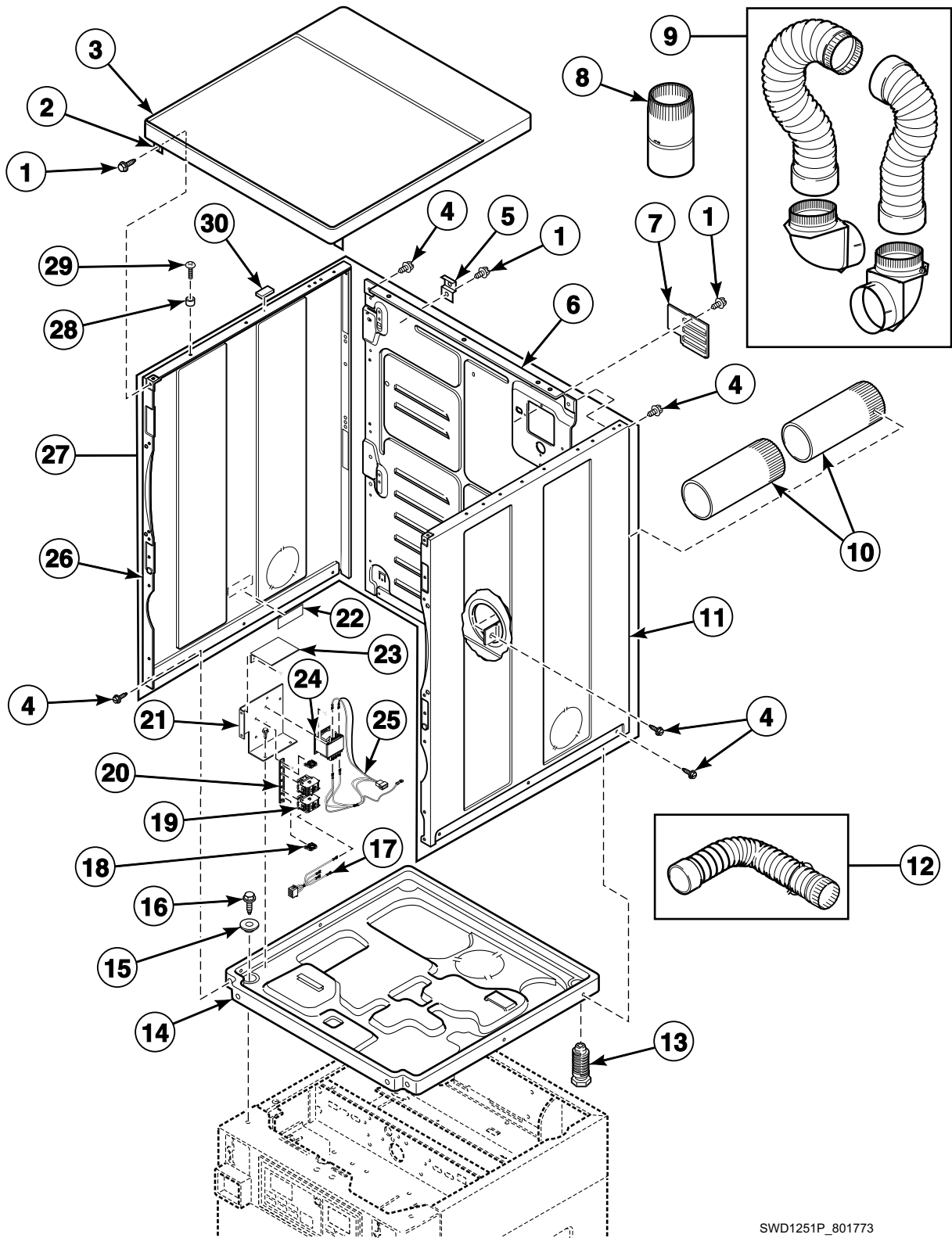
SWD1225P\_801773

## Gas Valve, Igniter and Gas Conversion Kits

REF	PART NO.	DESCRIPTION	COMMENTS
1	510204	Lead-In Pipe Assembly	
2	51782	Screw	
3	510184P	Igniter and Bracket Assembly	
4	23222	Screw	
5	510213	Sensor	
6	503688	Screw	
7	510149P	Burner Assembly	
8	600P3	L.P. Conversion Kit	Models NTGL19*N4067, NTGX19*N4067 and STGX19*N3069; Used to convert dryer from Natural Gas (N.G.) or Mixed Gas to Liquid Petroleum Gas (L.P.); 25,000 Btu
	458P3	L.P. Conversion Kit	Used to convert dryers from N.G. or Mixed Gas to L.P.; 25,000 Btu
9	459P3	N.G. Conversion Kit	Used to convert dryers from L.P. to N.G. or Mixed Gas; 25,000 Btu
10	58804B	Secondary Coil	
11	60443P	Valve Assembly	50 Hertz; 25,000 Btu; Models NTGL19*N4067, NTGX19*N4067, STGX19*N3000, STGX19*N3060 and STGX19*N3069
	60353P	Gas Valve Assembly	60 Hertz; 25,000 Btu; All other models
12	56124	Screw	
13	510128	Gas Valve Mounting Bracket	
14	58804A	Booster and Holding Coil	
15	510205	Elbow Shut-Off Valve	

\* Add Letter To Designate Color. Q - Bisque W - White

# Dryer Cabinet, Exhaust Duct and Base



SWD1251P\_801773



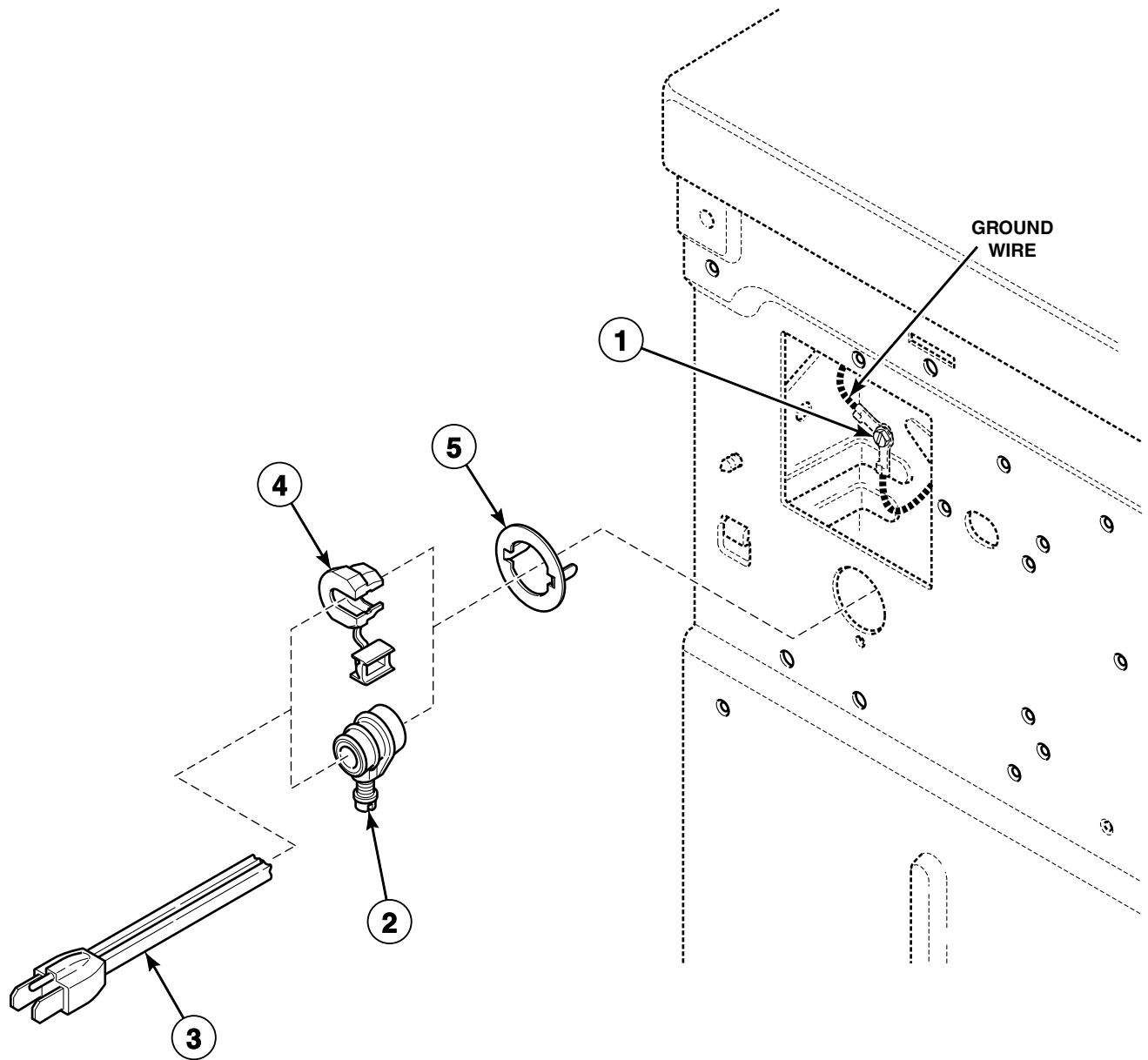
## Dryer Cabinet, Exhaust Duct and Base

REF	PART NO.	DESCRIPTION	COMMENTS
1	503661	Screw	
2	510146	Bracket	
3	510032WP	Top Kit	White
	510032QP	Top Kit	Bisque
4	503688	Screw	
5	510136	Top Hinge	
6	510005P	Cabinet Rear Panel	
7	510903	Access Panel Plate	
8	58786	Damper	
9	521P3	Flexible Venting Kit	
10	510137	Exhaust Duct	Each dryer requires 2 pieces
11	510002WP	Cabinet Side Panel	White; Right side
	510002QP	Cabinet Side Panel	Bisque; Right side
12	528P3	Directional Exhaust Kit	Used to vent dryer out the sides
13	510135	Leveling Leg	
14	513901	Dryer Base	
15	501307	Washer	
16	36048	Screw	
17	511327	Harness Assembly	Models NTGL19*N4067 and NTGX19*N4067
18	70121001	End Stop	Models NTGL19*N4067, NTGX19*N4067 and STGX19*N3069
19	70323701P	Contactora	Models NTGL19*N4067, NTGX19*N4067 and STGX19*N3069
20	M412693	Din Rail	Models NTGL19*N4067, NTGX19*N4067 and STGX19*N3069
21	511859	Contactora Bracket	Models NTGL19*N4067, NTGX19*N4067 and STGX19*N3069
22	61294	Fuse Notice Label	Electric models
23	801101	Card Reader Shield	Models NTGL19*N4067, NTGX19*N4067 and STGX19*N3069
24	511658P	Transformer Kit	Includes item 22; Models NTGL19*N4067, NTGX19*N4067 and STGX19*N3069
25	511303	Wire Harness Assembly	Transformer adapter; Includes 502592 Fuse, 3.15 Amp, 250 Volt; Models NTGL19*N4067, NTGX19*N4067 and STGX19*N3069
26	510001WP	Cabinet Side Panel	White; Left side
	510001QP	Cabinet Side Panel	Bisque; Left side
27	727P3W	Panel Kit	White; Includes items 6, 11, 26 and attaching hardware
	727P3Q	Panel Kit	Bisque; Includes items 6, 11, 26 and attaching hardware
28	56079	Panel Locator	
29	39733	Screw	
30	56128	Bumper Pad	

\* Add Letter To Designate Color. Q - Bisque W - White

# Dryer Power Cord

Models HTGB19\*N0902, HTGT19\*N0902, HTGX19\*N0902, HTGY19\*N0902, HTGZ19\*N0902,  
NTEX17\*N4067, NTGL19\*N4067, NTGX19\*N4067, STGX19\*N3060 and STGX19\*N3069



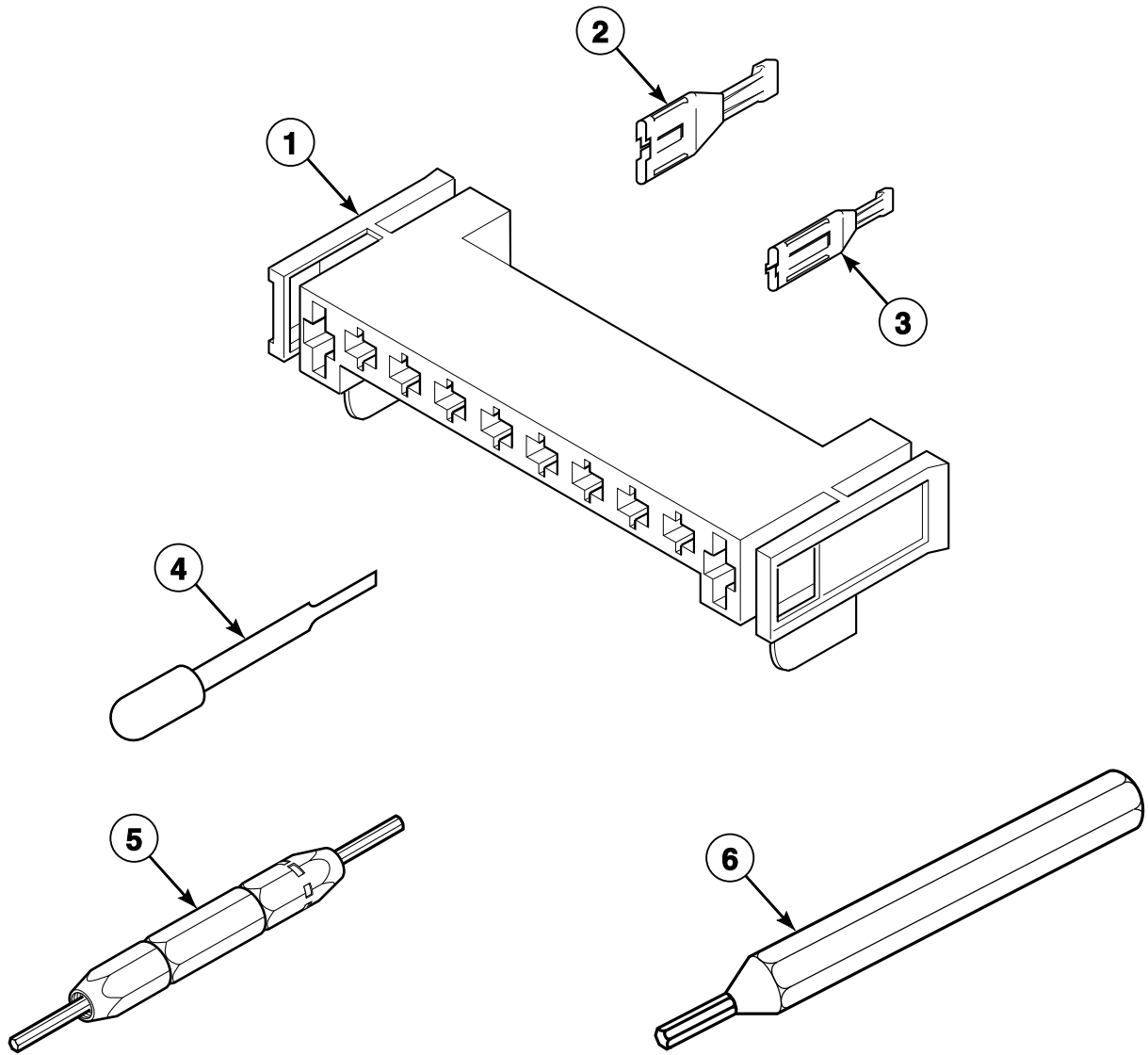
SWD1223P\_801773

## Dryer Power Cord

REF	PART NO.	DESCRIPTION	COMMENTS
1	20530	Screw	
2	502500	Strain Relief	Models NTGL19*N4067, NTGX19*N4067 and STGX19*N3069
3	506081	Power Cord Assembly	Models NTGL19*N4067, NTGX19*N4067 and STGX19*N3069
	503597	Lead-In Cord Assembly	Model NTEX17*N4067
	512019	Lead-In Cord	Model STGX19*N3060
	58992	Power Cord Assembly	All other models
4	52113	Strain Relief	Model NTEX17*N4067
	52151	Strain Relief	Models HTGB19*N0902, HTGT19*N0902, HTGX19*N0902, HTGY19*N0902 and HTGZ19*N0902
	60298	Strain Relief	Model STGX19*N3060
5	502496	Strain Relief Adapter	

\* Add Letter To Designate Color. Q - Bisque W - White

# Dryer Motor Connection Block, Terminal Extractor Tools

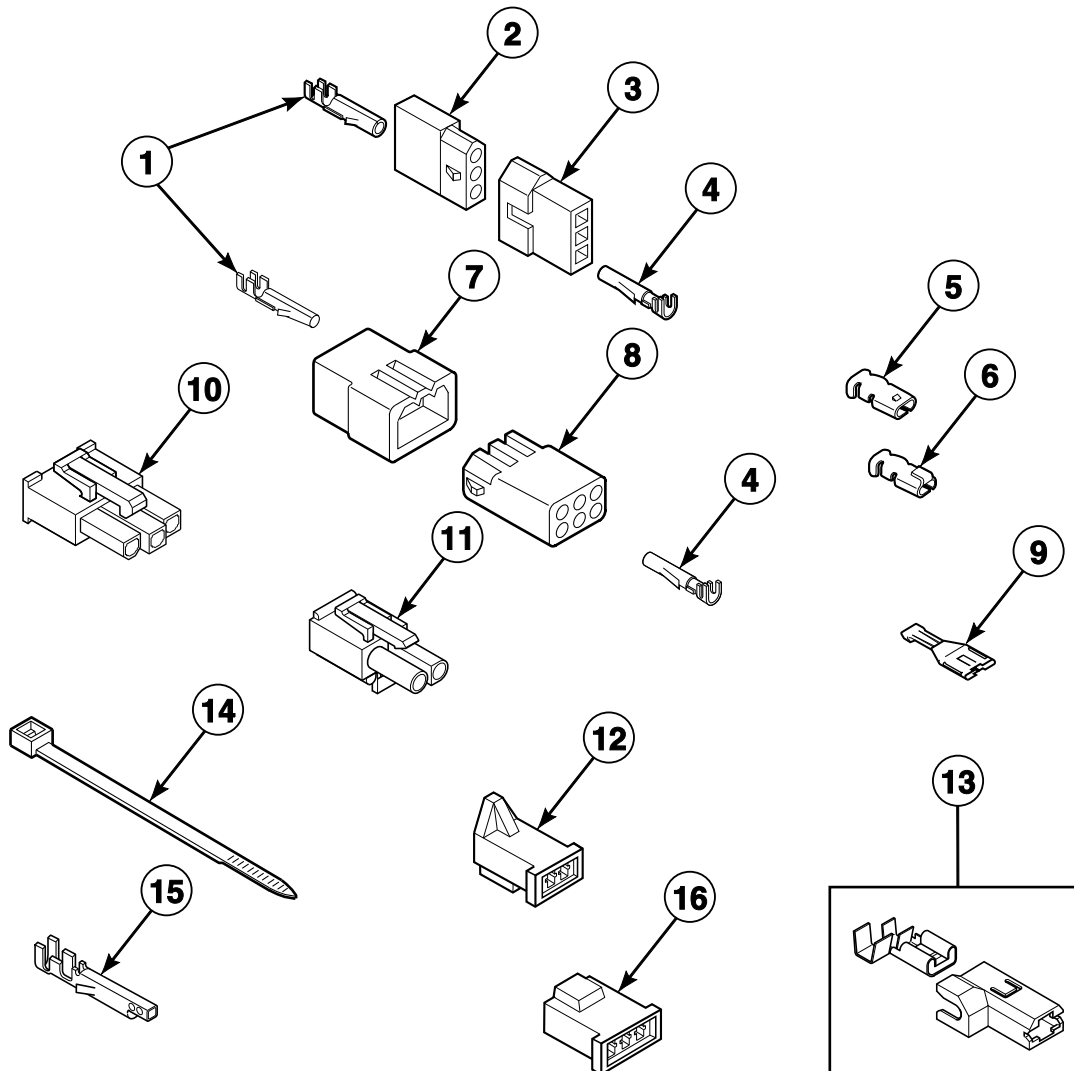


SWD1216P\_801773

## Dryer Motor Connection Block, Terminal Extractor Tools

REF	PART NO.	DESCRIPTION	COMMENTS
1	500338	10 Position Housing	Molex; 10 circuit
2	00255	Female Terminal	1/4 inch; For (1) 12 gauge wire
	00256	Female Terminal	1/4 inch; For (1) or (2) 18 gauge wires
3	00188	Female Terminal	For 1 or 2 wire applications
4	283P4	Terminal Extractor Tool	For use on Molex connectors
5	190P4	Extractor Tool	For use on electric dryer terminals
6	128P4	Extractor Tool	For use on gas dryer terminals

# Terminals



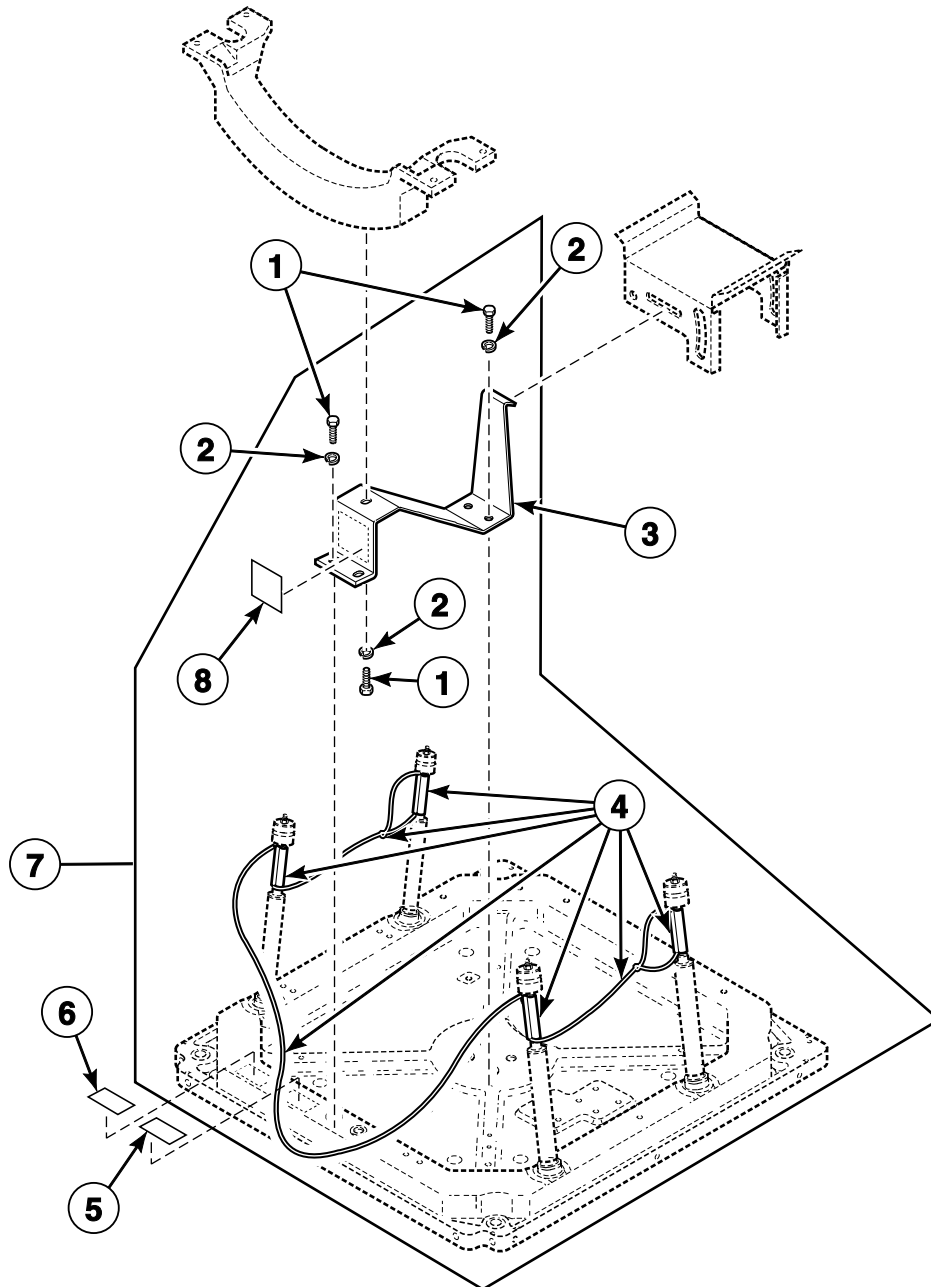
SWD1143P\_801773

# Terminals

REF	PART NO.	DESCRIPTION	COMMENTS
1	00117	Female Pin Terminal	
2	23039	3 Circuit Receptacle	Models BTEL15*N4065, BTEL17*N4065, BTEX15*N4065, BTEX17*N4065, HTEX17*N4064, HTEY17*N4064, HTGB19*N0902, HTGT19*N0902, HTGX19*N0902, HTGY19*N0902, HTGZ19*N0902, NTEL17*N4064, NTEX17*N4067, STEY17*N4064 and STEY17*N4064
3	23040	Plug	
4	00116	Male Pin Terminal	
5	00189	Female Spade Terminal	All gas models
6	00361	Female Piggyback Terminal	All gas models
7	23033	9 Circuit Plug	Models BTEL15*N4065, BTEL17*N4065, BTEX15*N4065, BTEX17*N4065, HTEX17*N4064, HTEY17*N4064, HTGB19*N0902, HTGT19*N0902, HTGX19*N0902, HTGY19*N0902, HTGZ19*N0902, NTEL17*N4064, NTEX17*N4064, STEY17*N4064, STEY17*N4064, STGX19*N3000, STGX19*N3060 and STGX19*N3069
8	26708	6 Circuit Receptacle	
9	00256	Female Terminal	Models BTEL15*N4065, BTEL17*N4065, BTEX15*N4065, BTEX17*N4065, HTEX17*N4064, HTEY17*N4064, HTGB19*N0902, HTGT19*N0902, HTGX19*N0902, HTGY19*N0902, HTGZ19*N0902, NTEL17*N4064, NTEX17*N4064, NTGL19*N4067, NTGX19*N4067, STEY17*N4064, STEY17*N4064, STGX19*N3000, STGX19*N3060 and STGX19*N3069
10	36170	3 Circuit Receptacle	All models except HTEY17*N2802, HTEY17*N4064, HTGY19*N0902, STEF17*N4350 and STEY17*N4064
11	501223	2 Circuit Receptacle	All models except HTEB17*N2802, HTET17*N2802, HTGB19*N0902 and HTGT19*N0902
12	58799	2 Circuit Connector	All gas models
13	00221	Insulated Female Flag Terminal	Models HTGB19*N0902, HTGT19*N0902, HTGX19*N0902, HTGY19*N0902 and HTGZ19*N0902
14	55881	Harness Strap	
15	00252	Terminal	
16	58800	3 Circuit Connector	All gas models

\* Add Letter To Designate Color. Q - Bisque W - White

# Shipping Materials



FLW845P\_801773

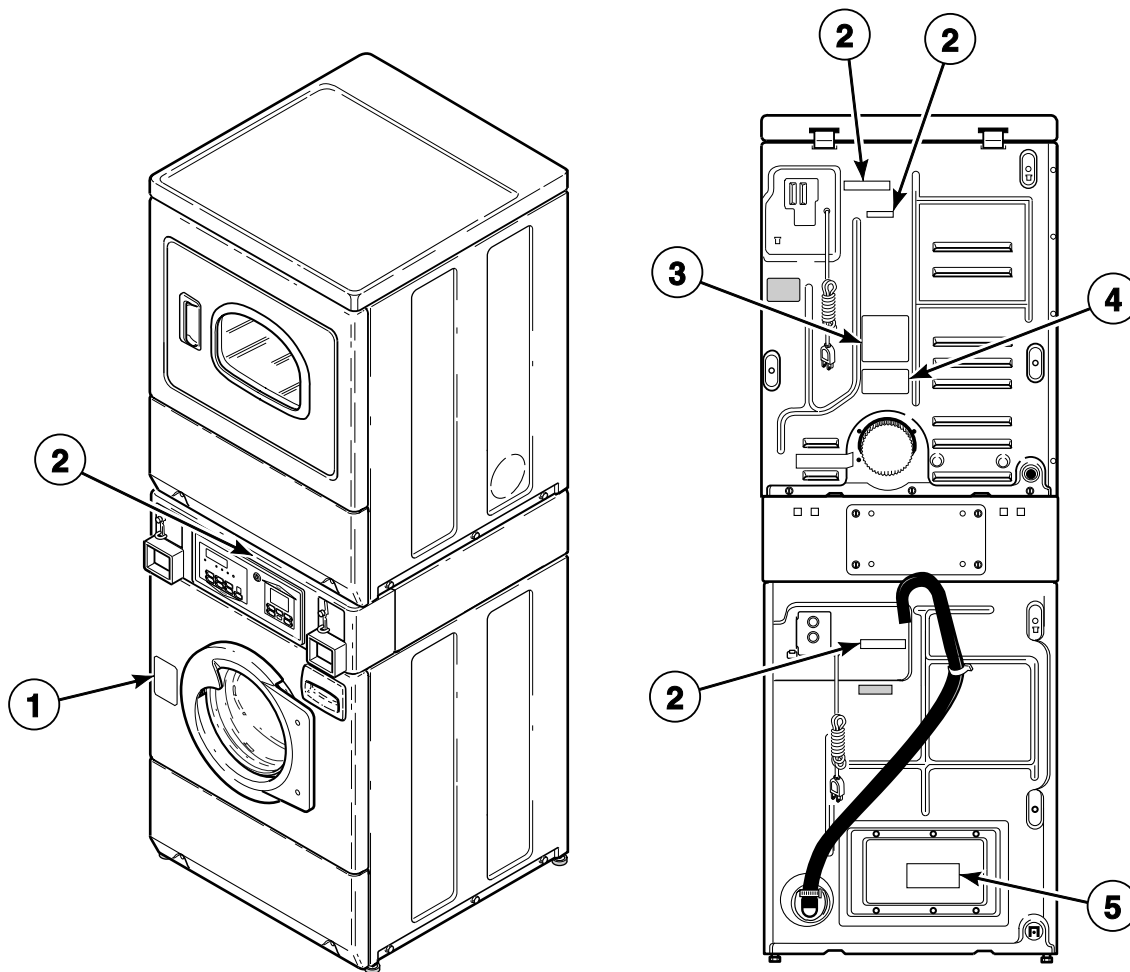


# Shipping Materials

REF	PART NO.	DESCRIPTION	COMMENTS
1	M400043	Screw	
2	M400014	Washer	
3	802890	Shipping Bracket	
4	800364P	Shipping Cord and Brace Assembly	
5	800632	Warning Label	Non-grounded
6	500314	Warning Label	Models HTEB17*N2802, HTET17*N2802, HTEX17*N2802, HTEX17*N2902, HTEY17*N2802, HTEZ17*N2802, HTGB19*N0902, HTGT19*N0902, HTGX19*N0902, HTGY19*N0902 and HTGZ19*N0902
	502511	Electrical Shock Label	All other models
	502506	Pinched Fingers Label	All other models
7	728P3	Shipping Materials Kit	Includes items 1-4 and 8
8	686901	Shipping Bracket Label	

\* Add Letter To Designate Color. Q - Bisque W - White

# Labels

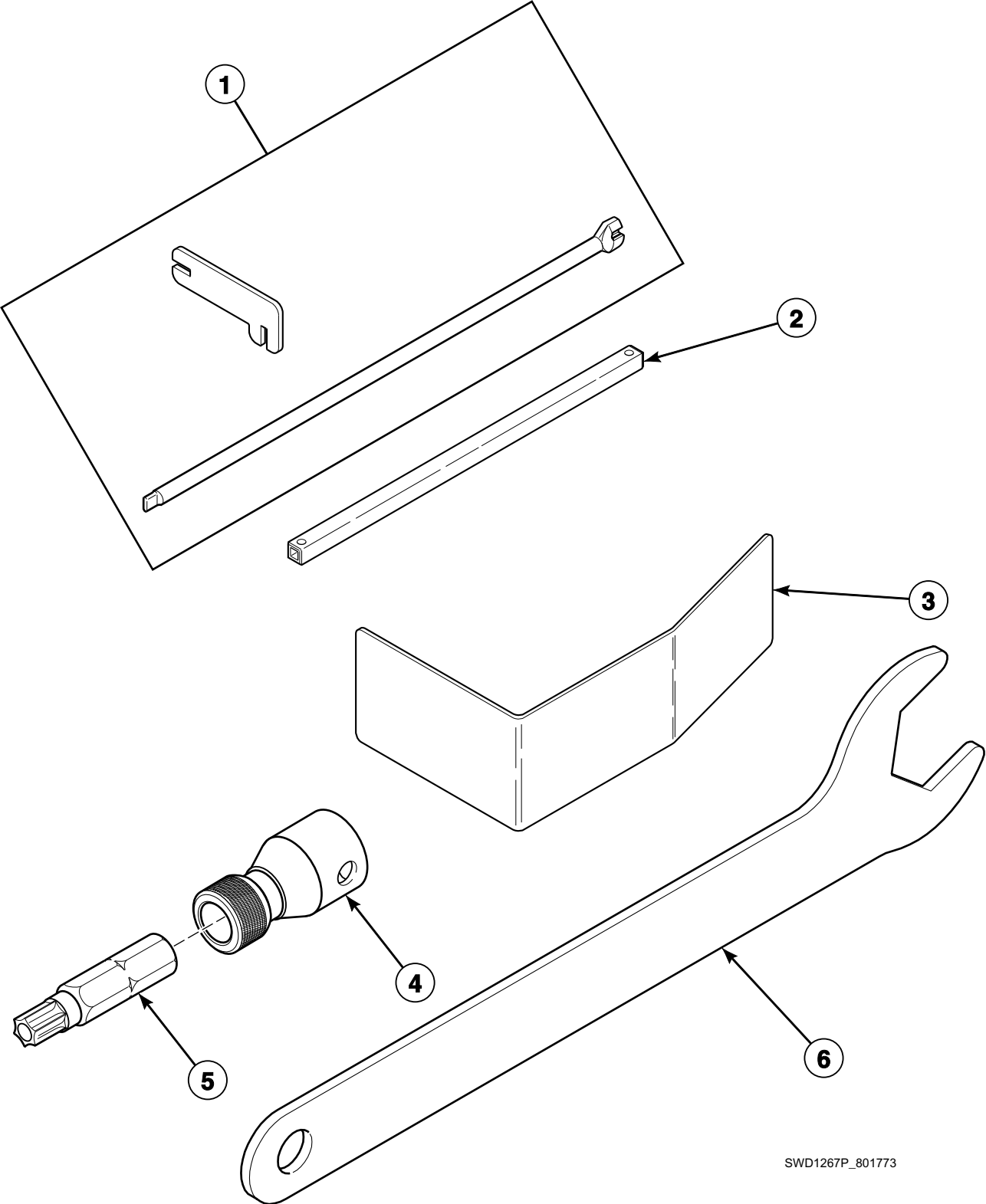


SWD1137P\_801773

# Labels

REF	PART NO.	DESCRIPTION	COMMENTS
1	685947	Door Locked Label	
2	505281	Disconnect Power Warning Label	English
	502511	Electrical Shock Label	Icon
3	502791	Venting Instruction Label	
4	500497	Exhaust Warning Label	
5	500049	Warning Label	English
	500314	Warning Label	Quebec French
	502511	Electrical Shock Label	Icon

# Special Tools

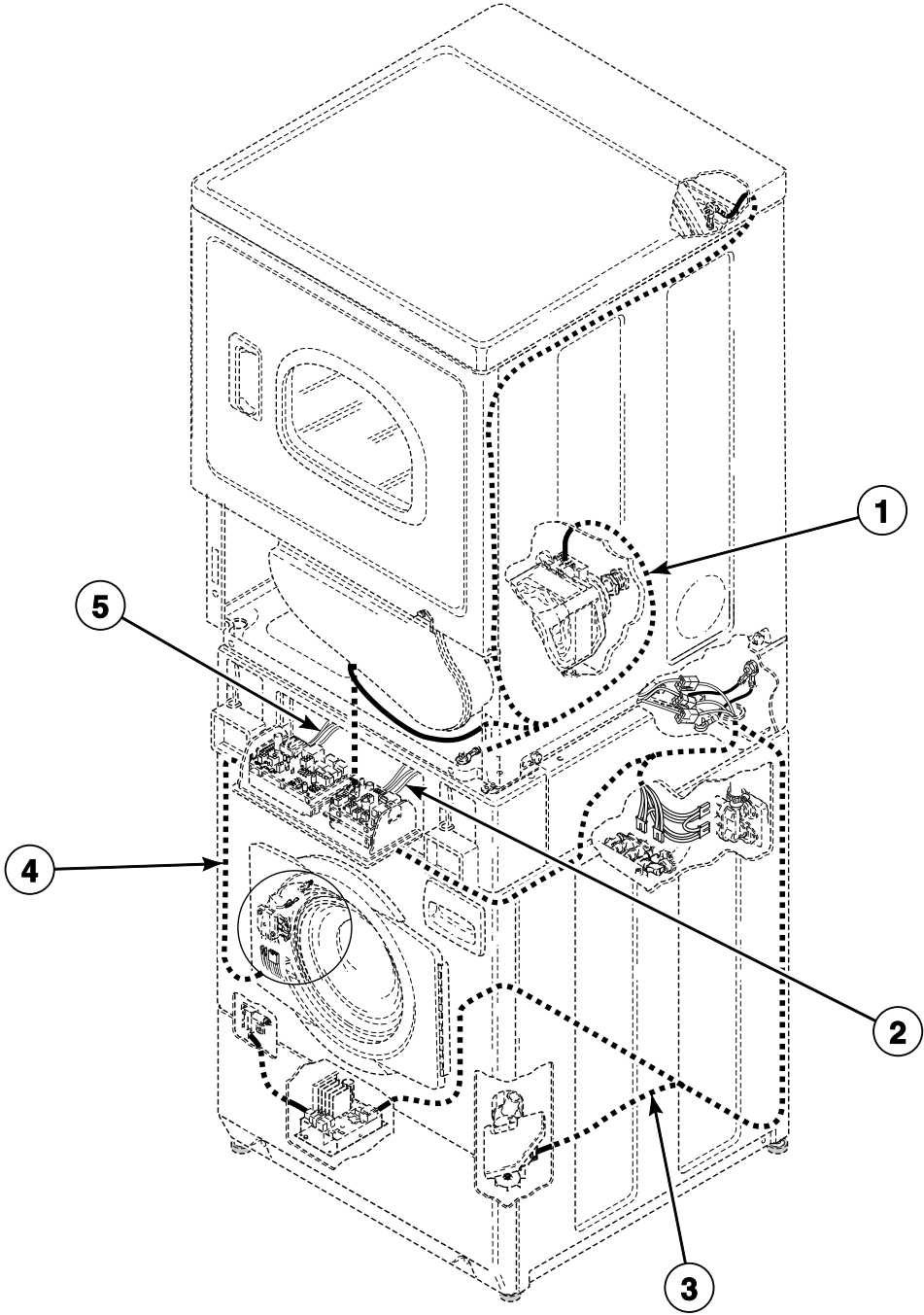


SWD1267P\_801773

# Special Tools

REF	PART NO.	DESCRIPTION	COMMENTS
1	CK096	Mounting Tool Kit	Use to install and remove electronic coin drop kits
2	310P4	Ratchet Extension Tool	1/4 inch; Use to install and remove non-electronic coin drops
3	318P4	Dispenser Drawer Tool	Use to remove dispenser drawer
4	24161	Bit Holder	
5	282P4	Torx Bit	
6	392P4	Wrench	Use to adjust leveling legs

# Wire Harnesses and Wires



SWD1182P\_801773

## Wire Harnesses and Wires

REF	PART NO.	DESCRIPTION	COMMENTS
	45001	18 Gauge Wire	Black; Order wire by foot, terminals/connectors as required
	45380	12 Gauge Wire	Orange; Order wire by foot, terminals/connectors as required
1	510434P	Wire Harness Assembly	Dryer; Models HTEB17*N2802, HTET17*N2802, HTEX17*N2802, HTEX17*N2902, HTEY17*N2802 and HTEZ17*N2802
	511336P	Wire Harness Assembly	Dryer; Models BTEL15*N4065, BTEL17*N4065, BTEX15*N4065, BTEX17*N4065, HTEX17*N4064, HTEY17*N4064, NTEL17*N4064, NTEX17*N4064, STEX17*N4064 and STEY17*N4064
	510409P	Wire Harness Assembly	Dryer; Models HTGB19*N0902, HTGT19*N0902, HTGX19*N0902, HTGY19*N0902 and HTGZ19*N0902
	511317	Wire Harness Assembly	Dryer; Model STGX19*N3000
	511327	Harness Assembly	Dryer; Model STGX19*N3069
	511753	Wire Harness Assembly	Dryer; Models NTGL19*N4067 and NTGX19*N4067
	511347	Wire Harness Assembly	Dryer; Model STGX19*N3060
	511314P	Wire Harness Assembly	Dryer; All other models
2	510496P	Wire Harness	Dryer security cabinet; Models HTEB17*N2802, HTET17*N2802, HTEX17*N2802, HTEX17*N2902, HTEY17*N2802 and HTEZ17*N2802
	511338P	Wire Harness Assembly	Dryer security cabinet; Models BTEL15*N4065, BTEL17*N4065, BTEX15*N4065, BTEX17*N4065, HTEX17*N4064, HTEY17*N4064, NTEL17*N4064, NTEX17*N4064, NTGL19*N4067, STEX17*N4064 and STEY17*N4064
	510497P	Security Cabinet Wire Harness Assembly	Dryer security cabinet; Models HTGB19*N0902, HTGT19*N0902, HTGX19*N0902, HTGY19*N0902 and HTGZ19*N0902
	511321P	Wire Harness Assembly	Dryer security cabinet; Models STGX19*N3000 and STGX19*N3060
	511757	Wire Harness Assembly	Dryer security cabinet; Models NTGX19*N4067 and STGX19*N3069
	511318P	Wire Harness Assembly	Dryer security cabinet; All other models
3	801063P	Motor Harness Assembly	
4	801494	Base Harness Assembly	Models BTEL15*N4065, BTEL17*N4065, BTEX15*N4065, BTEX17*N4065, HTEX17*N4064, HTEY17*N4064, NTEL17*N4064, NTEX17*N4064, NTEX17*N4067, NTGL19*N4067, NTGX19*N4067, STEX17*N4064, STEX17*N5754, STEY17*N4064 and STEY17*N5754
	N/A	Base Harness Assembly	Models STEA17*N4350, STEF17*N4350, STEX17*N3000, STEX17*N3020, STEX17*N3069, STEX17*N3300, STEX17*N4350, STGX19*N3000, STGX19*N3060 and STGX19*N3069
	800590P	Base Harness Assembly	All other models
5	801335	Control Harness Assembly	Models STEA17*N4350, STEF17*N4350, STEX17*N3000, STEX17*N3020, STEX17*N3069, STEX17*N3300, STEX17*N4350, STGX19*N3000, STGX19*N3060 and STGX19*N3069
	801064P	Front Control Harness Assembly	Models HTEB17*N2802, HTET17*N2802, HTEX17*N2802, HTEX17*N2902, HTEY17*N2802, HTEZ17*N2802, HTGB19*N0902, HTGT19*N0902, HTGX19*N0902, HTGY19*N0902 and HTGZ19*N0902
	801117	Control Harness Assembly	All other models

\* Add Letter To Designate Color. Q - Bisque W - White

N/A = Part no longer available

**NOTE: Individual wires are not available separately. Order complete harness, or order wire by the foot. When applying terminals to wires, it is recommended that the terminals be soldered to the wires.**





# Parts Index

## A

Access Panel Assembly	
514250Q .....	21, 23, 47
514250WP .....	21, 23, 47
Access Panel Damper	
685368 .....	21, 23
Access Panel Plate	
510903 .....	63
Adhesive	
511637P .....	51, 53
Air Duct Assembly	
510151 .....	51
Anti-Seize Compound	
27604P .....	31
Audit Switch Bracket	
800379 .....	7
800380 .....	7

## B

Backflow Preventer	
34500 .....	25, 27
800310 .....	37
Ballast Weight	
800205 .....	29
Base Assembly	
802245 .....	39
Base Harness Assembly	
800590P .....	77
801494 .....	77
Base Shock Absorber Kit	
800623P .....	29
Bearing Housing Kit	
800428P .....	31
Bit Holder	
24161 .....	75
Block to Relay Harness	
511112P .....	55
Blower and Fan Kit	
510717P .....	49
Blower Fan Assembly	
510139P .....	49
Blower Housing	
511969WP .....	49
Blower Housing Seal	
510238P .....	49
Booster and Holding Coil	
58804A .....	61
Brace Kit	
918P3 .....	39
Bracket	
510146 .....	63
Bumper Pad	
56128 .....	39, 63
Burner Assembly	
510149P .....	61

## C

Cabinet Brace	
801491 .....	39
801492 .....	39
Cabinet Panel Kit	
800004QP .....	39
800004WP .....	39
Cabinet Rear Panel	
510005P .....	63
Cabinet Side Panel	
510001QP .....	63
510001WP .....	63
510002QP .....	63
510002WP .....	63
Cable Connection Box	
39922 .....	41
Cable Tie	
39037 .....	25
Cap	
801746 .....	25
Card Insert Overlay	
511548 .....	15
Card Reader and Bracket Assembly	
510068P .....	15
Card Reader Overlay	
800230 .....	15
Card Reader Shield	
801101 .....	63
Card Reader Wire Harness Assembly	
800125P .....	15
Caution Label	
500253 .....	47
Central Pay Harness	
511478 .....	5, 17
Clamp Ring	
800312 .....	29
Clean Lint Label	
502804 .....	47
Clip	
201572 .....	13
Coin Drop	
38963P .....	11
Coin Drop Assembly	
38462P .....	11
38463 .....	11
38464P .....	11
38467 .....	11
38472 .....	11
38519 .....	11
38521 .....	11
70441602 .....	11
Coin Drop Overlay	
39564 .....	15
Coin Drop Wire Harness	
201104 .....	13
Coin Identification Paper	
38725 .....	11, 13
Combustion Duct	
510131 .....	59

N/A items do not appear in index.

Connector, 2 Circuit 58799 .....	69	Disconnect Power Warning Label 505281 .....	73
Connector, 3 Circuit 58800 .....	69	Dispenser 685756P .....	25
Contactactor F330177P .....	7, 17, 55	801090P .....	25
70323701P .....	63	Dispenser Assembly 801476P .....	25
Contactactor Bracket 511859 .....	63	Dispenser Drawer 685757P .....	25
Contactactor Wire Harness Assembly 801120P .....	7, 17	Dispenser Drawer Front 685715QP .....	25
Control Assembly 511867P .....	5, 17	685715WP .....	25
802400P .....	5, 17	Dispenser Drawer Tool 318P4 .....	75
803146P .....	5	Dispenser Plate 801024 .....	25
Control Cabinet Bottom 801777 .....	17	Dispenser-to-Tub Hose 800331 .....	25
Control Harness Assembly 801117 .....	77	Door and Liner Assembly 511636QP .....	45
801335 .....	77	511636WP .....	45
Control Kit 505905P .....	5	Door Assembly 800436QP .....	21
800772P .....	5	800436WP .....	21
Control Panel 801778W .....	17	801869 .....	21
Control Panel and Bracket Assembly 800034W .....	5	801928QP .....	23
Control Shield 801061 .....	33	801928WP .....	23
801371 .....	7, 17	Door Bezel 800341Q .....	21
801372 .....	7	800341W .....	21
Conversion Kit 756P3 .....	55	Door Catch Assembly 510177 .....	47
Cylinder Assembly 510265WP .....	51	Door Glass 800343P .....	21, 23
Cylinder Baffle 510102W .....	51	Door Handle 800342 .....	21
Cylinder Belt 511255P .....	49	Door Handle Wedge 510129 .....	45
Cylinder Glide 510188 .....	51	Door Hinge 802934 .....	21, 23
Cylinder Glide Bracket 510145 .....	51	Door Latch/Switch Assembly 685429 .....	21, 23
Cylinder Roller 510708P .....	53	Door Liner Grill 503870W .....	45
Cylinder Roller Bracket 510100 .....	53	Door Locked Label 685947 .....	73
Cylinder Seal Assembly 510207P .....	51, 53	Door Pull and Wedge Kit 510103QP .....	45
		510103WP .....	45
		Door Seal and Hose Assembly Kit 800232P .....	23, 25
		801784P .....	23, 25
		Door Seal Clamp 685743P .....	21, 23
		Door Strike 510181 .....	45
		Door Strike Mount 510127 .....	45
		Door Switch 800211 .....	21, 23
		Door Switch Assembly 801821 .....	21, 23
		Drain Hose 27154 .....	37

## D

Damper 58786 .....	63
Detergent Cover 800899 .....	25
Diagnostic Wire Harness Assembly 800374 .....	5
800680 .....	17
Din Rail M412693 .....	55, 63
Directional Exhaust Kit 528P3 .....	63

N/A items do not appear in index.

Drain Hose Elbow 35766 .....	37
Drain Pump 802623P .....	37
802624P .....	37
802625P .....	37
Drain Valve Kit F976P3 .....	35
Drain-to-Cabinet Hose 800903 .....	35
Drive Belt 800319P .....	33
Driven Pulley 800866 .....	31
Dryer Base 513901 .....	63
Dryer Door 510082LP .....	45
510082QP .....	45
510082WP .....	45
Dryer Door Window 503982P .....	45
Dual Overlay 39073 .....	11

---

<b>E</b>	
Elbow Shut-Off Valve 510205 .....	61
Electric Access Panel 801134 .....	9
Electrical Shock Label 502511 .....	29, 71, 73
Electronic Coin Drop Assembly 70294103P .....	13
70294104 .....	13
70294105P .....	13
70294106 .....	13
70294107 .....	13
70294110 .....	13
70294111 .....	13
70294112 .....	13
70294116 .....	13
70294117 .....	13
Electronic Coin Drop Kit CK099 .....	13
CK100 .....	13
CK101 .....	13
CK103 .....	13
CK108 .....	13
CK109 .....	13
CK110 .....	13
CK113 .....	13
CK115 .....	13
CK116 .....	13
CK117 .....	13
CK118 .....	13
Element to Contactor Harness 801093P .....	29
End Stop 70121001 .....	55, 63
Exhaust Duct 510137 .....	63

Exhaust Warning Label 500497 .....	73
Expansion Clip 70030501 .....	17, 19
Extension Spring 800346 .....	21, 23
Extractor Tool 128P4 .....	67
190P4 .....	67

---

## F

Felt Pad 510189 .....	51
Female Piggyback Terminal 00361 .....	69
Female Pin Terminal 00117 .....	69
Female Spade Terminal 00189 .....	69
Female Terminal 00188 .....	67
00255 .....	67
00256 .....	67, 69
Fill Hose 20617 .....	27
20618 .....	27
37380 .....	27
37381 .....	27
Fill Hose Kit 38349P .....	27
Filter 801255P .....	9, 19
Fitting 801792P .....	9, 19
Flexible Venting Kit 521P3 .....	63
Front Bulkhead Assembly 510266P .....	51
Front Control Harness Assembly 801064P .....	77
Front Overlay 801874 .....	5
Front Panel 510066QP .....	47
510066WP .....	47
800336QP .....	21, 23
800336WP .....	21, 23
Front Panel Seal 511056 .....	47
Fuse 801755 .....	33
Fuse Notice Label 61294 .....	63

---

## G

Gas Valve Assembly 60353P .....	61
Gas Valve Mounting Bracket 510128 .....	61

N/A items do not appear in index.

Gasket	
802427 .....	37
Graphic Overlay	
801984 .....	17
802289 .....	17
Gravity Drain Bracket	
803291 .....	35
Grommet	
29175 .....	29
802218 .....	37
Grounding Clip	
00161 .....	29

## H

Hardware Kit	
838P3 .....	31
Harness Assembly	
511327 .....	63, 77
802905 .....	11, 13
Harness Strap	
55881 .....	23, 43, 69
Heat Duct Shroud	
510101 .....	59
Heater	
511014P .....	55
Heater Assembly	
510324P .....	57
510326P .....	57
510327P .....	57
510330P .....	57
Heater Duct and Screw Assembly	
510025P .....	55, 57, 59
Heater Kit Assembly	
61928 .....	57
Heating Element	
804777P .....	29
804778P .....	29
Hinge	
511036 .....	45
Hinge Hole Plug	
510186 .....	47
Hinge Plate	
802412 .....	21, 23
Hold-Down Clip	
800906 .....	21, 23
Hose Clamp	
F200206 .....	25, 37
20211 .....	37
20391 .....	37
36802 .....	37
39282 .....	29
685725 .....	25, 35
802164 .....	23, 25, 27
Hose Clip	
36985 .....	7, 17, 43
800553 .....	31
Hose Mounting Plate	
800552 .....	31
Housing, 10 Position	
500338 .....	67

## I

Idler Lever	
510133 .....	49
Idler Lever and Wheel Assembly	
510158 .....	49
Idler Spring	
510185 .....	49
Idler Wheel and Bearing Assembly	
510142P .....	49
Igniter and Bracket Assembly	
510184P .....	61
Inner Basket Assembly	
800429P .....	31
803007P .....	31
Inner Door Bezel	
800340 .....	21
801903 .....	23
Insert	
685716 .....	25
Insulated Female Flag Terminal	
00221 .....	69
Inverter Assembly Kit	
801526P .....	33
801527P .....	33
Inverter Control Assembly	
803254P .....	33
803255P .....	33

## J

Jumper Configuration Assembly	
M413507 .....	7, 17
Jumper Wire Assembly	
511270 .....	55
Junction Box	
801403 .....	41
Junction Box Cover	
801404 .....	41
Junction Box Seal	
801425P .....	41

## K

Key	
54612 .....	5

## L

Lead-In Cord	
39926 .....	41
512019 .....	65
Lead-In Cord Assembly	
503597 .....	65
Lead-In Pipe Assembly	
510204 .....	61
Left Control Cabinet Side	
801738W .....	17

N/A items do not appear in index.

Leveling Leg	
34319 .....	39
510135 .....	63
Lid Assembly	
801206P .....	37
802426P .....	37
Limit Thermostat	
510701 .....	55, 57
510702 .....	59
Line Filter	
201058 .....	9, 19, 41
Liner and Seal Assembly	
510098W .....	45
Liner Door Seal	
510147P .....	45
Lint Filter	
503980 .....	51
Lock Cam	
27261 .....	5
Lock Kit	
27260P .....	5
Locking Catch	
685430 .....	21, 23
Lower Junction Box	
801433 .....	41
L.P. Conversion Kit	
458P3 .....	61
600P3 .....	61

## M

Male Pin Terminal	
00116 .....	69
Manual Reset Thermostat	
M411941 .....	49
Mixing Valve	
802220P .....	27
802222P .....	27
Mixing Valve Plate	
800323 .....	27
Mixing Valve Screen	
802926 .....	27
Motor Access Hole Edging	
801702 .....	39
Motor and Pulley Assembly	
505843P .....	49
505869P .....	49
511629P .....	49
Motor and Rod Assembly Kit	
801684P .....	33
Motor Harness Assembly	
801063P .....	77
Motor Hub Ring Kit	
590P3 .....	49
Motor Mount	
510060 .....	49
Motor Mount Clamp	
510180 .....	49
Motor Mount Rod	
801062 .....	33
Motor Pulley	
500011 .....	49
500222 .....	49

Mounting Tool Kit	
CK096 .....	75

## N

Network Varistor Assembly	
801311 .....	9, 19
Nozzle Cap	
801112 .....	37
Nut	
F430218 .....	29, 31
201216 .....	13
21899 .....	39
23951 .....	21, 23
29786 .....	11, 35
29787 .....	9, 19
36020 .....	21, 23
52566 .....	49
56156 .....	49, 53
685844 .....	31
685846 .....	21
70054 .....	15
800452 .....	29
801994 .....	23
N.G. Conversion Kit	
459P3 .....	61

## O

Opto Coupler	
200674P .....	11
O-Ring	
801207 .....	37
802429P .....	37
802487 .....	37
Outer Door Bezel	
801868 .....	21
801904Q .....	23
801904W .....	23
Outer Tub Assembly	
801081P .....	29
801291 .....	29
Outlet Cover	
500820 .....	55, 57, 59
Out-of-Balance Switch Assembly	
801006 .....	29
Overlay	
201091 .....	11, 13
513546 .....	5
800026 .....	5
800027 .....	5
800894 .....	5
801051 .....	5
801054 .....	5
801138 .....	5
801415 .....	5
802078 .....	5
803597 .....	5
Overlay Kit	
38676 .....	11

N/A items do not appear in index.

---

**P**

Panel Kit	
727P3Q .....	63
727P3W .....	63
Panel Locator	
56079 .....	11, 15, 21, 23, 39, 47, 63
Pinched Fingers Label	
502506 .....	29, 71
Plug	
23040 .....	69
Plug, 9 Circuit	
23033 .....	69
Pop Rivet	
685847 .....	31
Power Cord Assembly	
39925 .....	41
39931 .....	41
506081 .....	65
58992 .....	65
801450 .....	41
Pressure Bulb	
30907 .....	29
Pressure Switch	
800468P .....	7
801297P .....	7, 17
801610P .....	7, 17
Pump Bracket	
802219 .....	37
Pump Housing	
801208 .....	37
802428 .....	37
Pump Housing Assembly	
801209 .....	37
802434P .....	37
Pump Mount	
802432 .....	37
Pump Mount Bracket	
802626 .....	37
Pump Shield	
38067 .....	37
Pump-to-Elbow Hose	
685737 .....	37

---

**R**

Ratchet Extension Tool	
310P4 .....	75
Rear Access Panel	
800011 .....	39
Rear Bulkhead Assembly	
511082P .....	53
Rear Control Cabinet	
801058 .....	17, 19
Rear Panel	
800010P .....	39
801216 .....	39
801629 .....	39
Receptacle, 2 Circuit	
501223 .....	69
Receptacle, 3 Circuit	
23039 .....	69

36170 .....	69
Receptacle, 6 Circuit	
26708 .....	69
Relay to Heater Harness	
511114P .....	55
Resistor	
210100 .....	7, 17
Retaining Ring	
23748 .....	33, 49, 53
Right Control Cabinet Side	
800915Q .....	17
800915W .....	17
Rubber Foot	
34318 .....	39

---

**S**

Screw	
M400043 .....	31, 71
M400057 .....	33
M405188 .....	39
02916 .....	35
20530 .....	65
23222 .....	49, 55, 57, 61
31260 .....	49
31645 .....	39
33562 .....	47
36048 .....	11, 15, 63
38096 .....	37
39733 .....	11, 15, 21, 23, 39, 47, 63
500226 .....	45
500824 .....	49
501086 .....	27
501285 .....	37, 51, 53
501524 .....	5, 17, 33
503661 .....	7, 9, 11, 15, 17, 19, 21, 23, 27, 29, 33, 35, 37, 39, 41, 63
503688 .....	7, 9, 11, 15, 17, 19, 47, 49, 51, 53, 55, 57, 59, 61, 63
505295 .....	45, 51
505870 .....	45
51782 .....	59, 61
52864 .....	51
52909 .....	37
56124 .....	61
61199 .....	53
62588 .....	51
62853 .....	47
685831 .....	31
70240301 .....	17, 19
800461 .....	29
800462 .....	29, 31
800528 .....	21
800548 .....	21, 23, 25
800930 .....	17
801001 .....	25
801019 .....	21, 23
801045 .....	21, 23
801993 .....	21, 23
802430 .....	37
802431 .....	37
Screw Label	
685928 .....	39
Sealant	
27615P .....	35, 37

N/A items do not appear in index.

Secondary Coil 58804B.....	61
Security Cabinet Front Assembly 511208Q.....	15
511208W.....	15
511632Q.....	11
511632WP.....	11
Security Cabinet Rear Service Panel 800177.....	7
Security Cabinet Wire Harness Assembly 510497P.....	77
Security Cabinet Wrapper Assembly 800231Q.....	11, 15
800231W.....	11, 15
801235Q.....	11, 15
801235W.....	11, 15
Sensor 510213.....	61
Shaft 56461P.....	49, 53
Shipping Bracket 802890.....	71
Shipping Bracket Label 686901.....	71
Shipping Cord and Brace Assembly 800364P.....	71
Shipping Materials Kit 728P3.....	71
Side Panel Kit 800005QP.....	39
800005WP.....	39
Snap Bushing M402542.....	7, 9, 17, 19, 39, 41
503235.....	35
Speed Clip 28835.....	47
Standpipe Strap 33489.....	37
Strain Relief 502500.....	65
52113.....	65
52151.....	65
60298.....	65
Strain Relief Adapter 502496.....	65
Switch 512973.....	7, 47
Switch Mounting Bracket 800663.....	29

## T

Tension Rod Assembly 800666.....	31
Terminal 00252.....	69
Terminal Block Assembly 505876.....	9, 19, 53
510190P.....	53
801250.....	9
801756.....	19
Terminal Block Shield 510237.....	53

Terminal Block Support Bracket 505875.....	53
Terminal Extractor Tool 283P4.....	67
Thermal Fuse Assembly 511412.....	55, 57
Thermistor 803256.....	29
Thermistor Assembly 502366.....	49
510523.....	49
Thermostat Opening Cover 61203.....	39
Top Hinge 510136.....	63
Top Kit 510032QP.....	63
510032WP.....	63
Torx Bit 282P4.....	75
Transformer 201375P.....	7, 13
210018P.....	7
803527P.....	7, 17
Transformer Kit 511658P.....	63
Trunnion Shaft and Hardware Kit 800749P.....	31
Tub Front Assembly 800430.....	29
801231.....	29
Tub Front Seal 800432P.....	29, 31
Tub Shock Absorber Kit 800622P.....	29
Tubing 800648P.....	29
Tub-to-Drain Hose 800902.....	35
Tub-to-Pump Hose 800317.....	37

## V

Valve Assembly 60443P.....	61
Valve Kit 685766P.....	25
801836P.....	25
Valve-to-Dispenser Inlet Hose 801464.....	25, 27
Venting Instruction Label 502791.....	73

## W

Warning Label 500049.....	73
500314.....	29, 71, 73
512263.....	47
800632.....	71

N/A items do not appear in index.

Warning/Caution Label	
500281 .....	47
Washer	
M400014 .....	71
M400017 .....	35
M400080 .....	33
M400081 .....	29
M403958 .....	31
02834 .....	33
20290 .....	27
26509 .....	11, 15
501307 .....	63
504082 .....	53
52549 .....	33, 49, 53
800457 .....	29, 31
800464 .....	31
800465 .....	37
802254 .....	27
803615 .....	27
Water Hose	
F200116 .....	27
Window Trim	
503981Q .....	45
503981W .....	45
512006 .....	45
Wire Assembly	
510527 .....	57
510528 .....	57
Wire Clamp	
800811 .....	29
Wire Clamp Ring	
800438 .....	21, 23
Wire Clip	
504034 .....	43
687500 .....	25, 43
Wire Guard	
201595P .....	11
Wire Harness	
510496P .....	77
Wire Harness Assembly	
510409P .....	77
510434P .....	77
510621P .....	53
510622 .....	53
511303 .....	63
511314P .....	77
511317 .....	77
511318P .....	77
511321P .....	77
511336P .....	77
511338P .....	77
511347 .....	77
511753 .....	77
511757 .....	77
801420 .....	41
801421 .....	41
Wire Tie	
38663 .....	43
Wire, 12 Gauge	
45380 .....	77
Wire, 18 Gauge	
45001 .....	77
Wrench	
392P4 .....	75

N/A items do not appear in index.