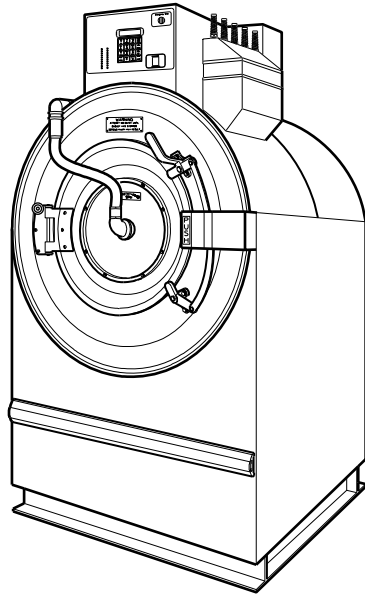


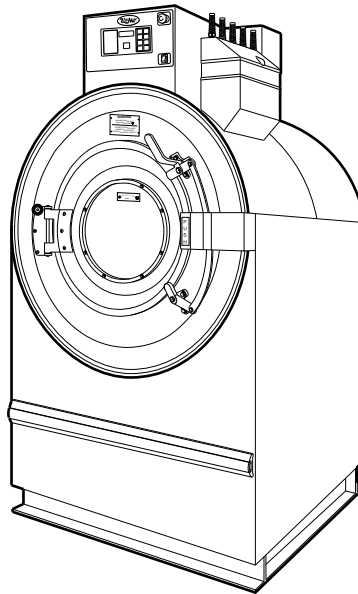
# Washer-Extractor

Pocket Hardmount

Refer to Page 5 for Model Numbers



UW60PV



UW60AV and UW60VV

PHM1410C\_F232167



# Table of Contents

Title	Page
Parts Ordering Information.....	3
Nameplate Location .....	3
Model Identification .....	5
Pocket Hardmount Washer-Extractor Product Overview .....	6
Product Info - Ordering AC Drives for Models UW60PVQ.....	8
Product Info - Ordering AC Drives for Models UW60PVN or UW60PVP.....	9
Product Info - Ordering AC Drives for Models UW60PVT.....	10
Decals .....	12
Control Module - Model UW60PV (Drawing 1 of 4) .....	14
Control Module - Model UW60VV (Drawing 1 of 4) .....	16
Control Module - Model UW60AV (Drawing 1 of 4) .....	18
Control Module - Model UW60PV (Drawing 2 of 4) .....	20
Control Module - Models UW60AV and UW60VV (Drawing 2 of 4).....	22
Control Module (Drawing 3 of 4) .....	24
Control Module (Drawing 4 of 4) .....	26
AC Drive - Model UW60PV (Drawing 1 of 2) .....	28
AC Drive - Model UW60PV (Drawing 2 of 2) .....	30
AC Drive PowerFlex 40 Drive Kits .....	32
Balance Switch, Temperature Probe and Rotation Sensor .....	34
Supply Dispenser.....	36
Hoses to Supply Dispenser.....	38
Spray Plumbing - Design 5 and 6 UW60PV Models .....	40
Spray Plumbing - Design 7 and 8 UW60PV Models .....	42
Fill Plumbing - Design 5 and 6 UW60PV Models Through 2/29/02 .....	44
Fill Plumbing - Design 5 and 6 UW60PV Models Starting 3/1/02 .....	46
Fill Plumbing - Design 7 and 8 UW60PV Models.....	48
Fill Plumbing - Models UW60AV and UW60VV .....	50
Drain System, Overflow and Vent Pipes.....	52
Basket, Shell and Frame (Drawing 1 of 2) .....	54
Basket, Shell and Frame (Drawing 2 of 2) .....	56
Door and Spray Tube.....	58
Door Lock.....	60
Front, Side and Rear Panels.....	62
Motor and Pulley - Model UW60PV .....	64
Motor and Pulley - Models UW60AV and UW60VV .....	66
Electric Heat Option .....	68
Steam Heat Option and Transformers .....	70
Water-Saving System Main View - Design 5 and 6 UW60PV Models .....	72
Water-Saving System Main View - Design 7 and 8 UW60PV Models .....	74
Water-Saving System Pump Sub-Assembly - Model UW60PV .....	76
Water-Saving System Control Module Sub-Assembly - Model UW60PV .....	78

© Copyright 2012, Alliance Laundry Systems LLC

All rights reserved. No part of the contents of this book may be reproduced or transmitted in any form or by any means without the expressed written consent of the publisher.

Auxiliary Water Reuse Inlet - Model UW60PV .....	80
Wet-Clean Assembly Main View - Model UW60PV .....	82
Wet-Clean Assembly Control Module - Model UW60PV .....	84
Security Fasteners .....	86
Special Tools .....	88
Motor Manufacturer Part Number Location on the Motor's Nameplate.....	90
Parts Index.....	93

# Parts Ordering Information

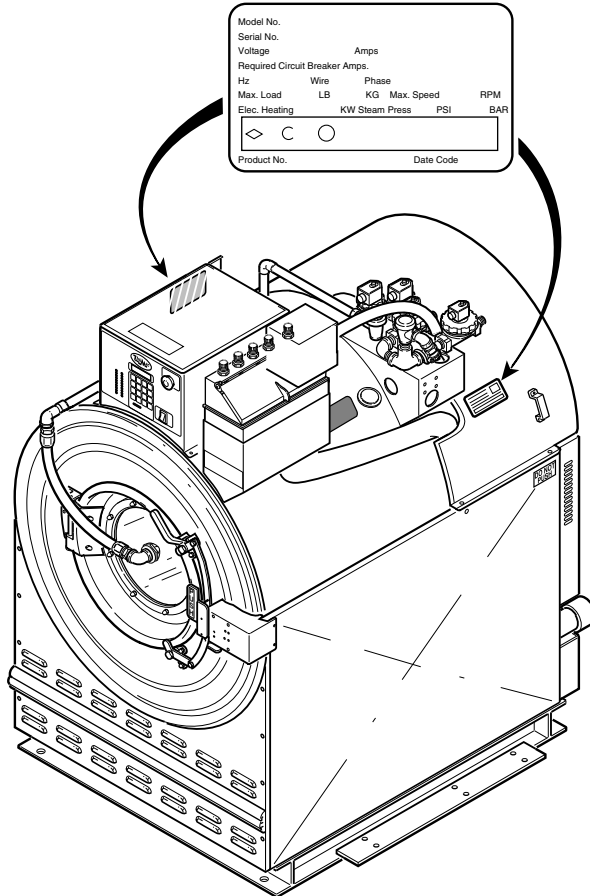
If literature or replacement parts are required, contact the source from whom the machine was purchased or contact Alliance Laundry Systems at (920) 748-3950 for the name and address of the nearest authorized parts distributor.

For technical assistance, call either of the numbers listed below:

(920) 748-3121 Ripon, Wisconsin  
+32 56 41 20 54 Wevelgem, Belgium

# Nameplate Location

When calling or writing about your product, be sure to mention model and serial numbers. Model and serial numbers are located on nameplate(s) as shown.



PHM2462P\_F232167



## Model Identification

Information in this manual is applicable to these washer-extractor models:

UW60AV

UW60PV

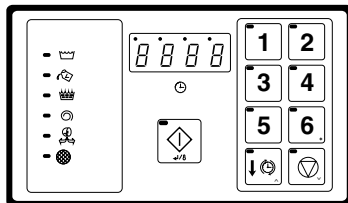
UW60VV

**NOTE:** This manual applies to models with either 5, 6, 7 or 8 in the 9th position in the model number (e.g. UW60PVQU50001).

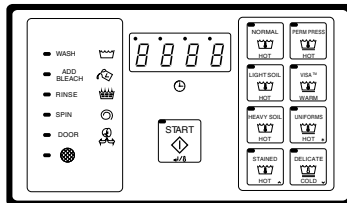
# Pocket Hardmount Washer-Extractor Product Overview

Model No. UW60AMXUB0001  
 Serial No. 00000000000  
 Voltage 200 – 240      Amps 10  
 Circuit Breaker 15 Amps  
 Hz 50 – 60      Wire 2/3      Phase S 3  
 Max. Load 60 LB      27 KG      Max. Speed 594 RPM  
 Elec. Heating N/A      Steam Press. N/A PSI      0.0 BAR

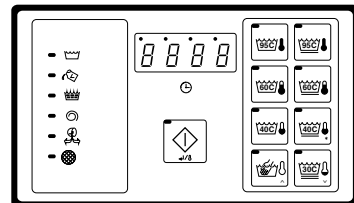
**Drawings:**  
 ETL Listed  
 Conforms To ANSI/UL Std. 1206, 3rd Ed  
 Certified To CAN/CSA Std. C22.2 No.53-1968



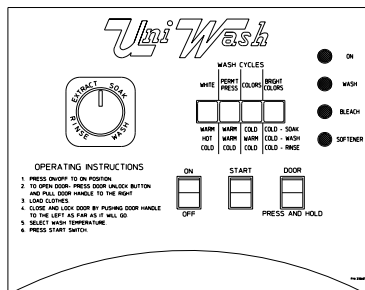
A-Control



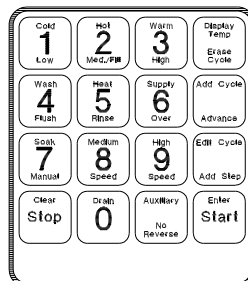
B-Control (Domestic)



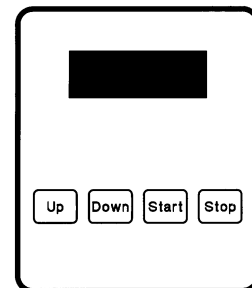
B-Control (International)



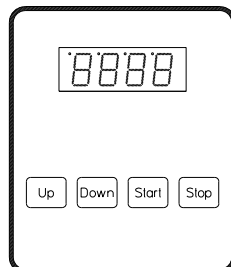
Mechanical Timer



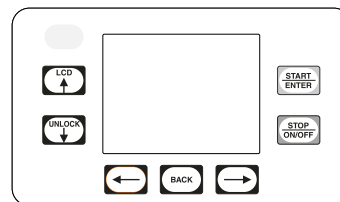
WE-6 Control



S-Computer



V-Computer



UniLinc Control

PHM2979P\_F232167



# Pocket Hardmount Washer-Extractor Product Overview

REF	PART NO.	DESCRIPTION	COMMENTS
1	-	Product Family	UW
2	-	Capacity (Pounds)	35 60 80 100 125 150
3	-	Control	A (A-Control) B (B-Control) M (Mechanical Timer) P (WE-6 Control) S (S-Computer) V (V-Computer) T (UniLinc Control)
4	-	Speed	2 (2-Speed) 3 (3-Speed) 4 (4-Speed) V (Variable-Speed)
5	-	Voltage	F (440-480/60/3/3) N (440-480/50-60/3/3) O (208-240/60/3/3) P (380-415/60-60/3/3) Q (200-208/220-240/50/60/3ph) R (380-415/440-480/50/60/3ph) X (200-220/220-240/50/60/1-3) Y (208-240/60/1/2)
6	-	OEM	U (Standard Specs)
7	-	Design Series	1-8

## Product Info - Ordering AC Drives for Models UW60PVQ

MOTOR (MANUFACTURER PART NO.)**	DRIVE KIT (PART NO.)	APPLICATION
F220236 (F-391994-61)	160-Series AC Drive Kit (F0370853-792)	Used with machines that have previously been updated from the 1305-series drive to the 160-series drive using either F079892911, F079893110, F079892911 or F079893110 1305 to 160-series AC drive retrofit kit; Requires a 3.2-inch motor pulley. <b>NOTE: If the washer-extractor was updated from the 1305-series drive to the 160-series drive using F079893110 1305 to 160-series AC Drive Retrofit Kit, also order F330284 EMI Filter</b>
F220236 (F-391994-61)	160-Series AC Drive Kit (N/A)	Used with design 5 machines; Requires a 3.4-inch motor pulley; Replaces AC drive F370853
F220236 (F-391994-61)	160-Series AC Drive Kit (N/A)	Used with design 6, 7 or 8 machines; Replaces AC drive F370853
F220214U (G68094)	160-Series AC Drive Kit (N/A)	Used with machines that have previously been updated from the 1305-series drive to the 160-series drive using either F079893800 or F079894600 1305 to 160-series AC drive retrofit kit; Requires a 3.2-inch motor pulley
F220214 (H309)	160-Series AC Drive Kit (N/A)	Used with machines that have previously been updated from the 1305-series drive to the 160-series drive using either F079894000 or F079894800 1305 to 160-series AC drive retrofit kit; Requires a 3.2-inch motor pulley
F220214 (A431)	160-Series AC Drive Kit (N/A)	Used with machines that have previously been updated from the 1305-series drive to the 160-series drive using either F079894200 or F079895000 1305 to 160-series AC drive retrofit kit; Requires a 3.2-inch motor pulley
F220434 (7695)	160-Series AC Drive Kit (N/A)	Used with machines that have previously been updated from the 1305-series drive to the 160-series drive using either F079894400 or F079895200 1305 to 160-series AC drive retrofit kit; Requires a 3.2-inch motor pulley
F220214M (9-391718-60)	160-Series AC Drive Kit (N/A)	Used with design 5 machines; Requires a 3.2-inch motor pulley
F220214U (G68094)	Mitsubishi to PowerFlex 40 Drive Kit (F8171607)	Used with machines with a Mitsubishi A-series drive; Includes AC Drive F8103604
F220214M (9-391718-60)	Mitsubishi to PowerFlex 40 Drive Kit (F8171608)	Used with machines with a Mitsubishi A-series drive; Includes AC Drive F8103607
F220236 (F-391994-61)	Mitsubishi to PowerFlex 40 Drive Kit (F8171609)	Used with machines with a Mitsubishi A-series drive; Includes AC Drive F8103607
F220214U (G68094)	1305-Series to PowerFlex 40 AC Drive Kit (F8171601)	Used with machines with a 1305-series AC drive; Includes AC Drive F8103604
F220214M (9-391718-60)	1305-Series to PowerFlex 40 AC Drive Kit (F8171606)	Used with machines with a 1305-series AC drive; Includes AC Drive F8103607
F220236 (F-391994-61)	1305-Series to PowerFlex 40 AC Drive Kit (F8171610)	Used with machines with a 1305-series AC drive; Includes AC Drive F8103608

**\*\* NOTE: Refer to Motor Manufacturer's Part Number on the Motor's Nameplate for help with determining your motor's part number.**

**N/A = Part no longer available**

## Product Info - Ordering AC Drives for Models UW60PVN or UW60PVP

MOTOR (MANUFACTURER PART NO.)**	DRIVE KIT (PART NO.)	APPLICATION
F220236 (F-391994-61)	160-Series AC Drive Kit (N/A)	Used with machines that have previously been updated from the 1305-series drive to the 160-series drive using either F079893010, F079893210, F079893010 or F079893210 1305 to 160-series AC drive retrofit kit; Requires a 3.2-inch motor pulley. <b>NOTE: If the washer-extractor was updated from the 1305-series drive to the 160-series drive using F079893210 1305 to 160-series AC Drive Retrofit Kit, also order F330283 EMI Filter</b>
F220236 (F-391994-61)	160-Series AC Drive Kit (N/A)	Used with design 5 machines; Requires a 3.4-inch motor pulley; Replaces AC drive F370844
F220236 (F-391994-61)	160-Series AC Drive Kit (N/A)	Used with design 6, 7 or 8 machines; Replaces AC drive F370844
F220214U (G68094)	160-Series AC Drive Kit (N/A)	Used with machines that have previously been updated from the 1305-series drive to the 160-series drive using either F079893900 or F079894700 1305 to 160-series AC drive retrofit kit; Requires a 3.2-inch motor pulley
F220214 (H309)	160-Series AC Drive Kit (N/A)	Used with machines that have previously been updated from the 1305-series drive to the 160-series drive using either F079894100 or F079894900 1305 to 160-series AC drive retrofit kit; Requires a 3.2-inch motor pulley
F220214 (A431)	160-Series AC Drive Kit (N/A)	Used with machines that have previously been updated from the 1305-series drive to the 160-series drive using either F079894300 or F079895100 1305 to 160-series AC drive retrofit kit; Requires a 3.2-inch motor pulley
F220434 (7695)	160-Series AC Drive Kit (N/A)	Used with machines that have previously been updated from the 1305-series drive to the 160-series drive using either F079894300 or F079895100 1305 to 160-series AC drive retrofit kit; Requires a 3.2-inch motor pulley
F220214M (9-391718-60)	160-Series AC Drive Kit (N/A)	Used with design 5 machines; Requires a 3.4-inch motor pulley
F220214U (G68094)	Mitsubishi to PowerFlex 40 Drive Kit (F8171706)	Used with machines with a Mitsubishi A-series drive; Includes AC Drive F8103704
F220214M (9-391718-60)	Mitsubishi to PowerFlex 40 Drive Kit (F8171710)	Used with machines with a Mitsubishi A-series drive; Includes AC Drive F8103705
F220236 (F-391994-61)	Mitsubishi to PowerFlex 40 Drive Kit (F8171707)	Used with machines with a Mitsubishi A-series drive; Includes AC Drive F8103706
F220214U (G68094)	1305-Series to PowerFlex 40 AC Drive Kit (F8171708)	Used with machines with a 1305-series AC drive; Includes AC Drive F8103704
F220214M (9-391718-60)	1305-Series to PowerFlex 40 AC Drive Kit (F8171711)	Used with machines with a 1305-series AC drive; Includes AC Drive F8103705
F220236 (F-391994-61)	1305-Series to PowerFlex 40 AC Drive Kit (F8171709)	Used with machines with a 1305-series AC drive; Includes AC Drive F8103706

**\*\* NOTE: Refer to Motor Manufacturer's Part Number on the Motor's Nameplate for help with determining your motor's part number.**

**N/A = Part no longer available**

## Product Info - Ordering AC Drives for Models UW60PVT

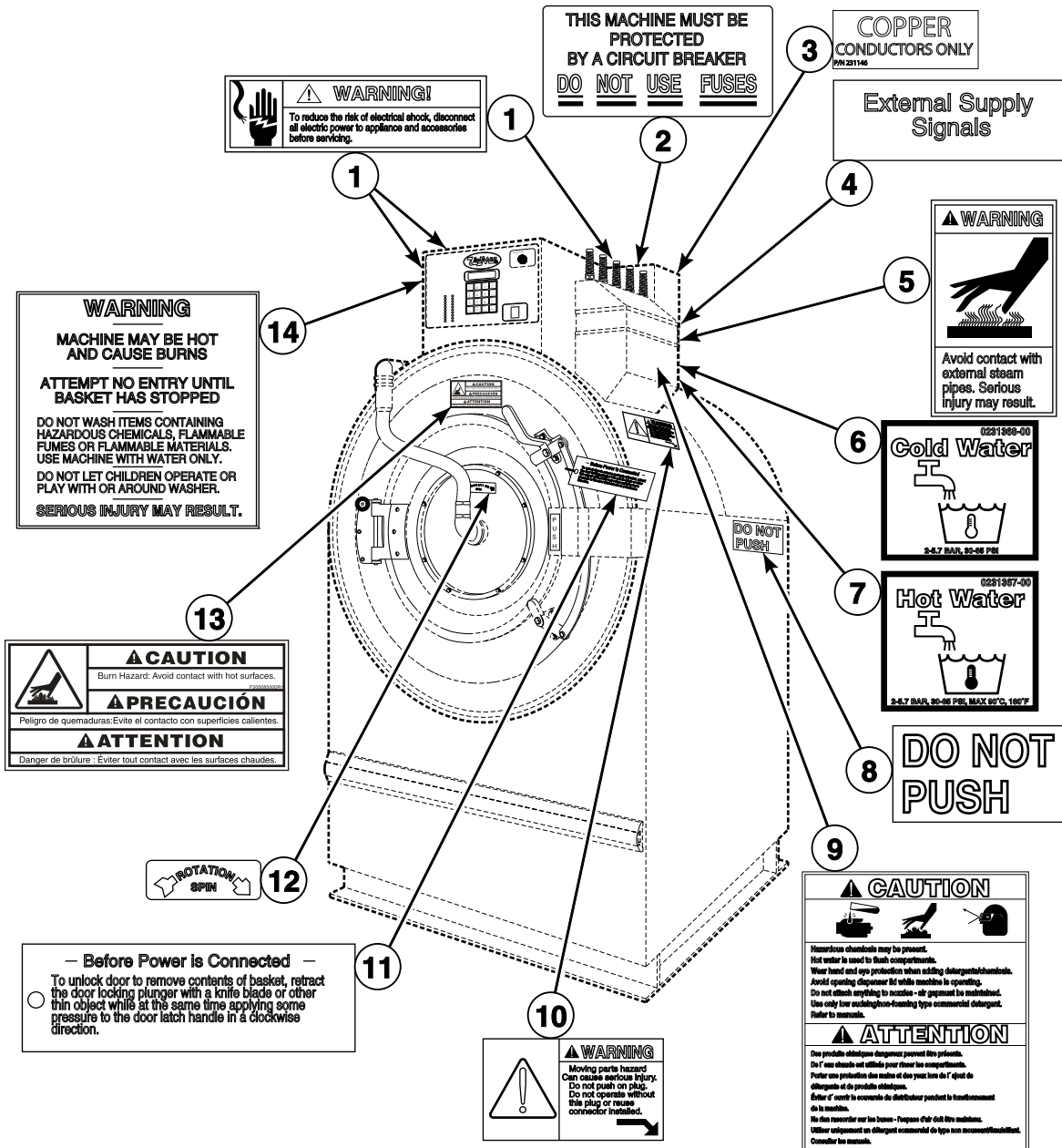
MOTOR (MANUFACTURER PART NO.)**	DRIVE KIT (PART NO.)	APPLICATION
F220214M (9-391718-60)	160-Series AC Drive Kit (N/A)	Used with design 5 machines; Replaced by F8171608 Mitsubishi to Power Flex 40 Drive Kit
F220214M (9-391718-60)	160-Series AC Drive Kit (N/A)	Used with design 6, 7 or 8 machines
F220236 (F-391994-61)	160-Series AC Drive Kit (F391994-61)	Used with design 5 machines; Replaces AC drive F370853
F220236 (F-391994-61)	160-Series AC Drive Kit (N/A)	Used with design 6, 7 or 8 machines; Replaces AC drive F370853
F220214U (G68094)	Mitsubishi to PowerFlex 40 Drive Kit (F8171607)	Used with machines with a Mitsubishi A-series drive; Includes AC Drive F8103604
F220214M (9-391718-60)	Mitsubishi to PowerFlex 40 Drive Kit (F8171608)	Used with machines with a Mitsubishi A-series drive; Includes AC Drive F8103607
F220236 (F-391994-61)	Mitsubishi to PowerFlex 40 Drive Kit (F8171609)	Used with machines with a Mitsubishi A-series drive; Includes AC Drive F8103607
F220214U (G68094)	1305-Series to PowerFlex 40 AC Drive Kit (F8171601)	Used with machines with a 1305-series AC drive; Includes AC Drive F8103604
F220214M (9-391718-60)	1305-Series to PowerFlex 40 AC Drive Kit (F8171606)	Used with machines with a 1305-series AC drive; Includes AC Drive F8103607
F220236 (F-391994-61)	1305-Series to PowerFlex 40 AC Drive Kit (F8171610)	Used with machines with a Mitsubishi A-series drive; Includes AC Drive F8103608

**\*\* NOTE: Refer to *Motor Manufacturer's Part Number on the Motor's Nameplate* for help with determining your motor's part number.**

**N/A = Part no longer available**



# Decals

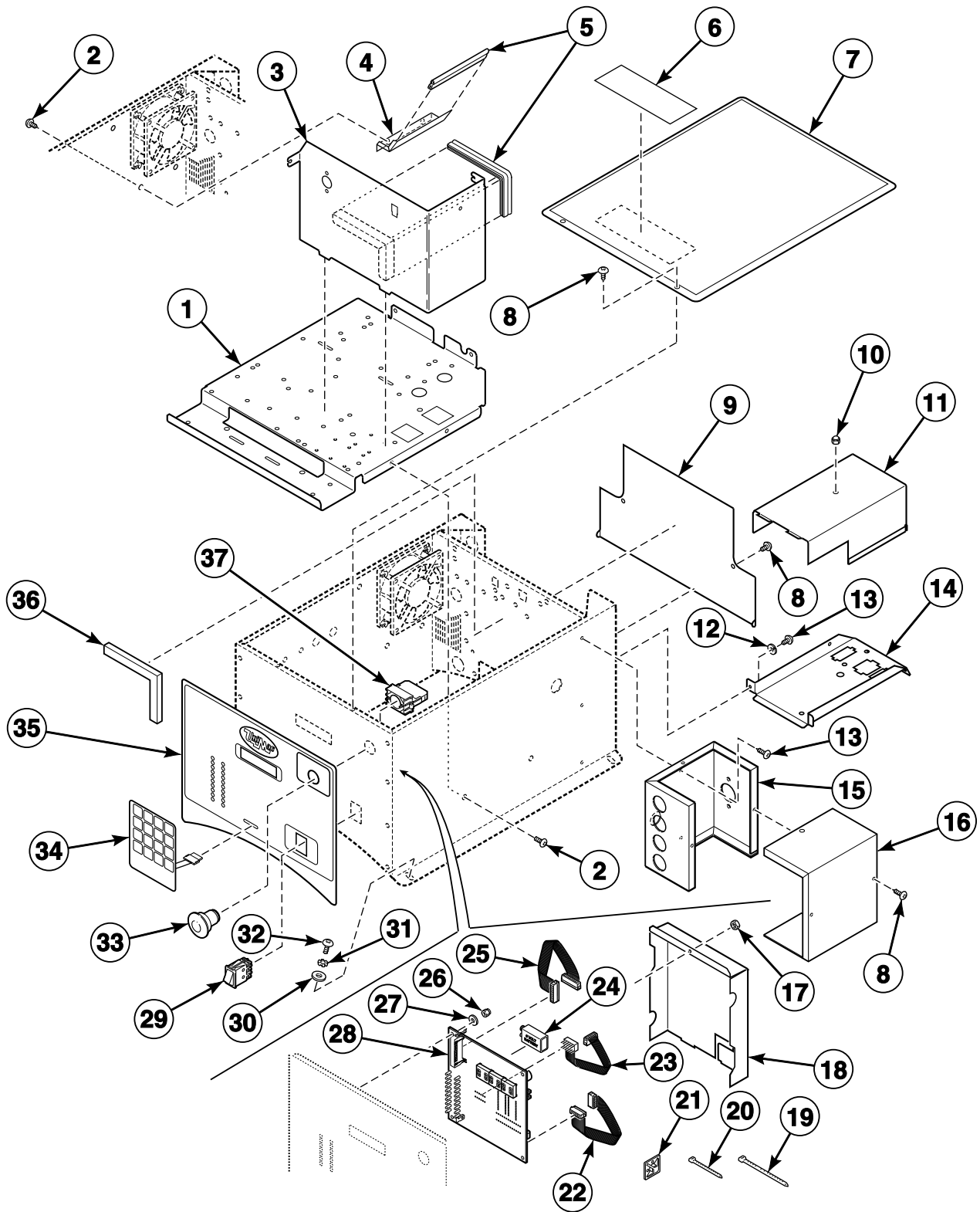


PHM2896P\_F232167

# Decals

REF	PART NO.	DESCRIPTION	COMMENTS
1	505281	Disconnect Power Warning Label	
2	F230301	This Machine Must Be Protected Decal	
3	F231146	Conductor Decal	
4	F231345-4	External Supply Caution Decal	
5	F231380	Hot Surface Warning Decal	
6	F231368	Cold Water Valve Decal	
7	F231367	Hot Water Valve Decal	
8	F230302	Do Not Push Decal	
9	F231436	Supply Dispenser Hazard Caution Decal	
10	F0230112-00	Plug Removal Warning Decal	Model UW60PV
11	F230501	Before Power Is Connected Tag	
12	F230652	Clockwise Spin Rotation Decal	
13	F200085000	Hot Surface Warning Decal	
14	F231065	Personal Injury Warning Decal	

# Control Module - Model UW60PV (Drawing 1 of 4)



PHM2344P\_F232167

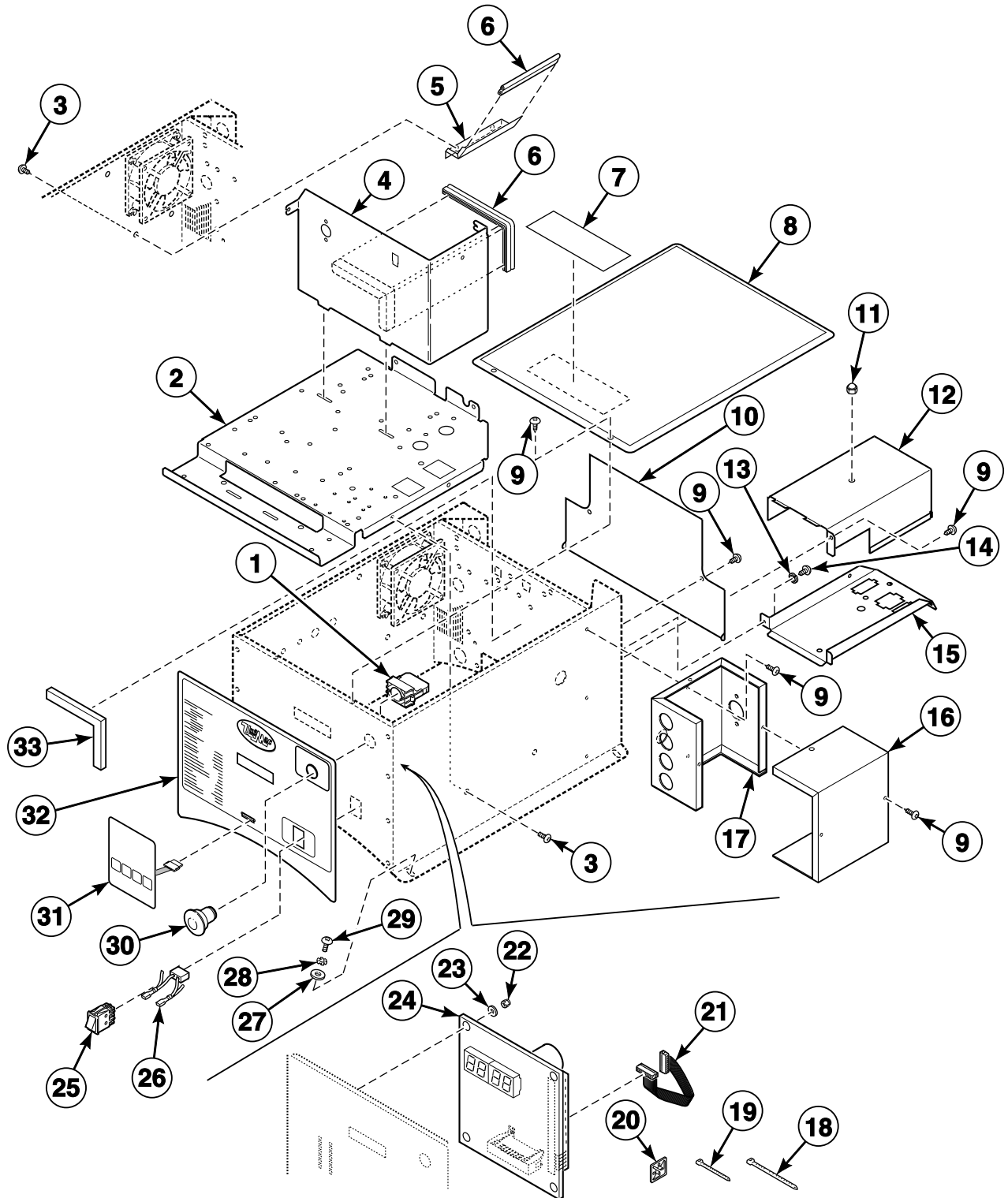


## Control Module - Model UW60PV (Drawing 1 of 4)

REF	PART NO.	DESCRIPTION	COMMENTS
1	N/A	Control Mounting Panel Assembly	
2	F430928	Screw	
3	F0637753-00	AC Drive Partition Assembly	
4	F0637748-00	Air Flow Ramp Assembly	
5	F170404	Trim	Order 1 foot
6	505281	Disconnect Power Warning Label	
7	F635456	Control Module Cover	
8	70240301	Screw	
9	F635448	Electrical Access Panel	Design 5 and 6
	F0637549-00	Electrical Access Panel	Design 7 and 8
10	F431026	Nut	
11	F635476	Cable Tray Cover	
12	F431113	Washer	
13	F430917	Screw	
14	F635615-2	Cable Tray Assembly	
15	F635468	External Supply Box	
16	F635365	External Supply Box Cover	
17	F431000	Nut	
18	F606826	Computer Cover	
19	F140606	Cable Tie	15 inch
20	F140605	Cable Tie	6 inch
21	F140602	Tie Wrap Mounting Clamp	
22	F140218P	Ribbon Cable	16 conductor; 12 inch; From interface cca to computer; J8 plug
23	F140248P	Ribbon Cable	16 conductor; 15 inch; From computer to interface cca; J1 plug; DIP socket
24	F191101	Battery	9 Volt; Backup
25	F140219P	Ribbon Cable	26 conductor; 15 inch; From computer to output cca
26	F430231	Nut	
27	F431125	Washer	
28	F037062441P	WE-6 Computer	
29	F340412	Momentary Switch	Models through 5/26/04
	F200120100	Momentary Switch	Models starting 5/27/04
30	F431123	Washer	
31	F431108	Washer	
32	F8136401	Screw	
33	N/A	Emergency Stop Pushbutton	800E-series; Models through 9/30/07; Order F200233700P Emergency Stop Button Kit
	F200233700P	Emergency Stop Button Kit	Used to convert from 800E-series to 800F-series; Includes F200233500 Emergency Stop Pushbutton and F200233401 Contact Block Switch
	F200233500	Emergency Stop Pushbutton	800F-series; Models starting 10/1/07
34	F230724P	Keypad Decal	
35	F231562	Control Module Decal	
36	N/A	Seal	Order 1 foot; N, P and Q-voltage
	F170151	Seal	Order 1 foot; T and X-voltage
37	F340445	Contact Block Switch	800E-series; Models through 9/30/07; Includes mounting base
	F200299500	Contact Block Switch	800E-series; Models through 9/30/07; Does not include mounting base
	F200233401	Contact Block Switch	800F-series; Models starting 10/1/07

N/A = Part no longer available

# Control Module - Model UW60VV (Drawing 1 of 4)



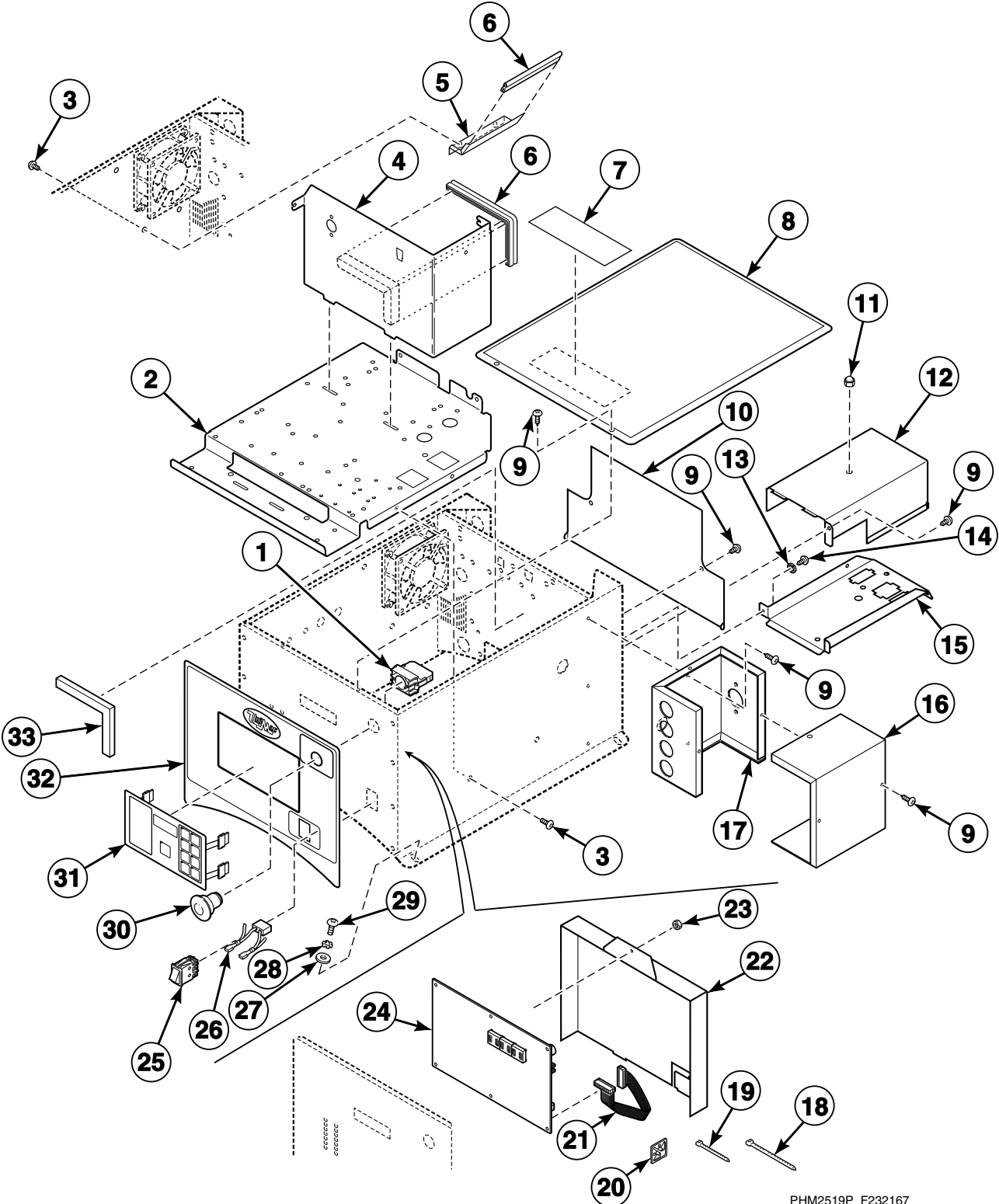
PHM2441P\_F232167

## Control Module - Model UW60VV (Drawing 1 of 4)

REF	PART NO.	DESCRIPTION	COMMENTS
1	F340445	Contact Block Switch	800E-series; Models through 9/30/07; Includes mounting base
	F200299500	Contact Block Switch	800E-series; Models through 9/30/07; Does not include mounting base
	F200233401	Contact Block Switch	800F-series; Models starting 10/1/07
2	N/A	Control Mounting Panel Assembly	
3	F430928	Screw	
4	F635366	AC Drive Partition	
5	F0637748-00	Air Flow Ramp Assembly	
6	F170404	Trim	Order 1 foot
7	505281	Disconnect Power Warning Label	
8	F634558	Control Module Cover	
9	70240301	Screw	
10	F0637549-00	Electrical Access Panel	
11	F431026	Nut	
12	F635476	Cable Tray Cover	
13	F431113	Washer	
14	F430917	Screw	
15	F635615-2	Cable Tray Assembly	
16	F635365	External Supply Box Cover	
17	F635468	External Supply Box	
18	F140606	Cable Tie	15 inch
19	F140605	Cable Tie	6 inch
20	F140602	Tie Wrap Mounting Clamp	
21	F140219P	Ribbon Cable	26 conductor; 15 inch; Connects the microcomputer to the output board cca
22	F430231	Nut	
23	F431125	Washer	
24	F0370313-09P	Microcomputer	
25	F340412	Momentary Switch	Models through 5/26/04
	F200120100	Momentary Switch	Models starting 5/27/04
26	F330217P	RC Network Filter	Includes F140627 Connector and F141022 Connector
27	F431123	Washer	
28	F431108	Washer	
29	F8136401	Screw	
30	N/A	Emergency Stop Pushbutton	800E-series; Models through 9/30/07; Order F200233700P Emergency Stop Button Kit
	F200233700P	Emergency Stop Button Kit	Used to convert from 800E-series to 800F-series; Includes F200233500 Emergency Stop Pushbutton and F200233401 Contact Block Switch
	F200233500	Emergency Stop Pushbutton	800F-series; Models starting 10/1/07
31	F370576P	Keypad	
32	F231417	Control Module Decal	
33	N/A	Seal	Order 1 foot

**N/A = Part no longer available**

# Control Module - Model UW60AV (Drawing 1 of 4)



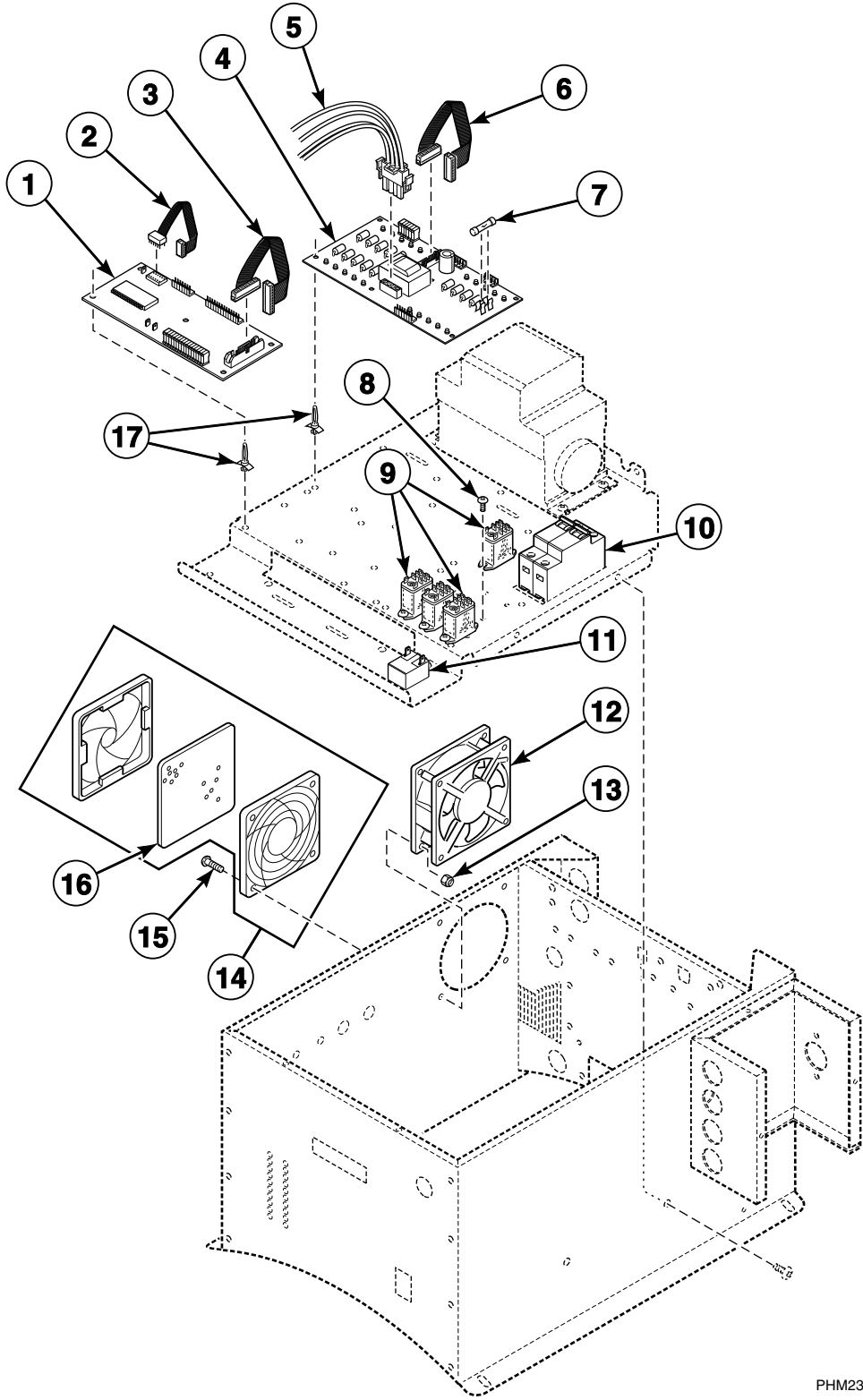
PHM2519P\_F232167

## Control Module - Model UW60AV (Drawing 1 of 4)

REF	PART NO.	DESCRIPTION	COMMENTS
1	F340445	Contact Block Switch	800E-series; Models through 9/30/07; Includes mounting base
	F200299500	Contact Block Switch	800E-series; Models through 9/30/07; Does not include mounting base
	F200233401	Contact Block Switch	800F-series; Models starting 10/1/07
2	N/A	Control Mounting Panel Assembly	
3	F430928	Screw	
4	F635366	AC Drive Partition	
5	F0637748-00	Air Flow Ramp Assembly	
6	F170404	Trim	Order 1 foot
7	505281	Disconnect Power Warning Label	
8	F634558	Control Module Cover	
9	70240301	Screw	
10	F0637549-00	Electrical Access Panel	
11	F431026	Nut	
12	F635476	Cable Tray Cover	
13	F431113	Washer	
14	F430917	Screw	
15	F635615-2	Cable Tray Assembly	
16	F635365	External Supply Box Cover	
17	F635468	External Supply Box	
18	F140606	Cable Tie	15 inch
19	F140605	Cable Tie	6 inch
20	F140602	Tie Wrap Mounting Clamp	
21	F140219P	Ribbon Cable	26 conductor; 15 inch; Connects the microcomputer to the output board cca
22	F0636887-00	Control Cover	
23	F430231	Nut	
24	F037047530P	Computer	
25	F200120100	Momentary Switch	
26	F330217P	RC Network Filter	Includes F140627 Connector and F141022 Connector
27	F431123	Washer	
28	F431108	Washer	
29	F8136401	Screw	
30	N/A	Emergency Stop Pushbutton	800E-series; Models through 9/30/07; Order F200233700P Emergency Stop Button Kit
	F200233700P	Emergency Stop Button Kit	Used to convert from 800E-series to 800F-series; Includes F200233500 Emergency Stop Pushbutton and F200233401 Contact Block Switch
	F200233500	Emergency Stop Pushbutton	800F-series; Models starting 10/1/07
31	F023158231P	Keypad	
32	F0231565-00	Control Module Decal	
33	N/A	Seal	Order 1 foot

N/A = Part no longer available

# Control Module - Model UW60PV (Drawing 2 of 4)

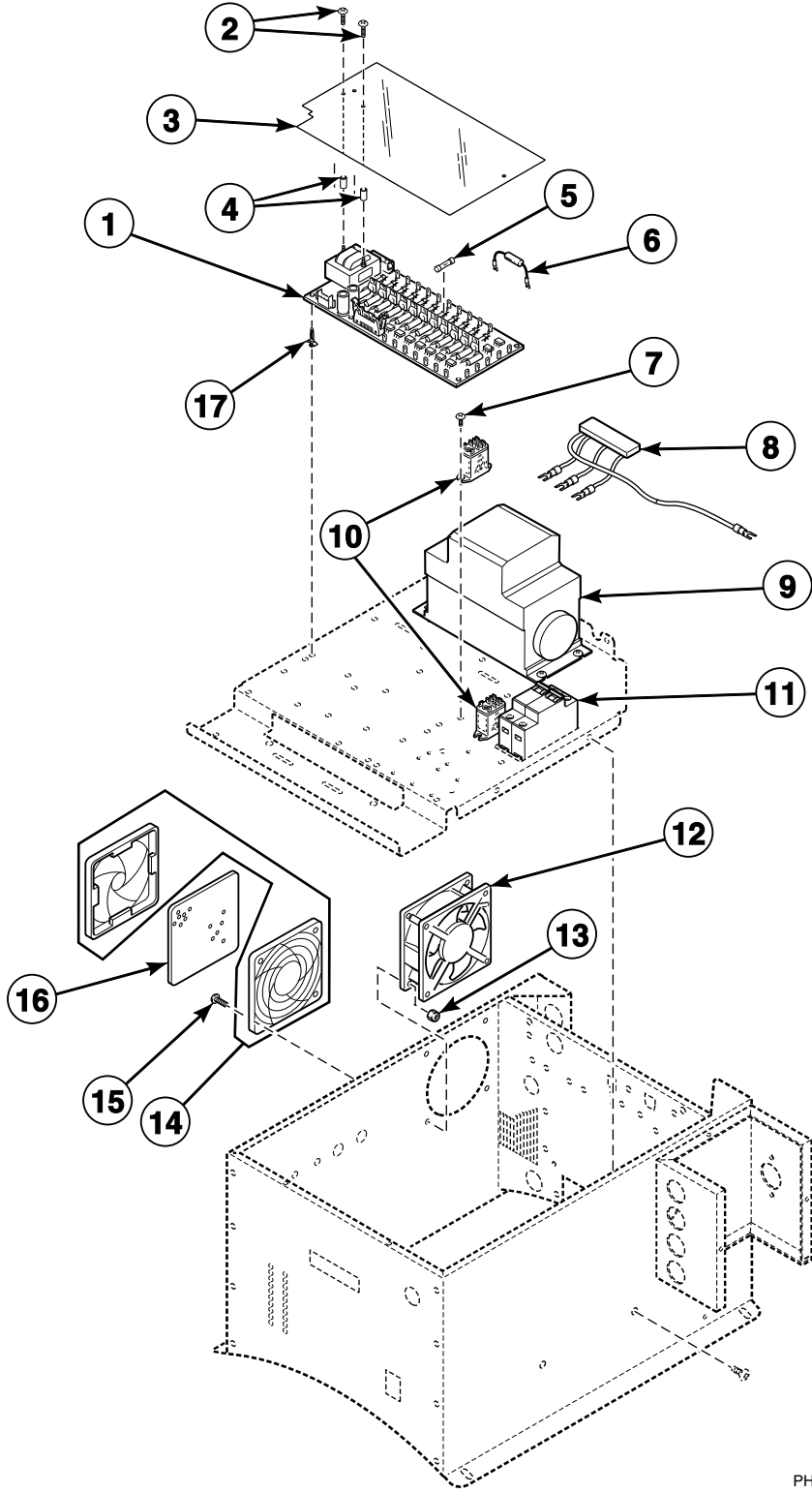


PHM2380P\_F232167

## Control Module - Model UW60PV (Drawing 2 of 4)

REF	PART NO.	DESCRIPTION	COMMENTS
1	F0370446-12P	Interface CCA	2 relay style
2	F140218P	Ribbon Cable	16 conductor; 12 inch; From interface cca to computer; J8 plug
3	F140248P	Ribbon Cable	16 conductor; 15 inch; From interface cca to computer; J1 plug; DIP socket
4	F8321901P	Output CCA	
5	F784003P	Jumper Kit	
6	F140219P	Ribbon Cable	26 conductor; 15 inch; From computer to output cca
7	F350108	Fuse	1/8 Amp; Slo blo
	F350109	Fuse	1/2 Amp; Fast blo
	F350110	Fuse	1 Amp; Slo blo
8	F0430165-00	Screw	
9	F330230	Flange Relay	220 Volt
10	F8303001P	Circuit Breaker	N and P-voltage
11	F300206	Buzzer	220 Volt
12	F110105	Muffin Fan	220 Volt; 4 inch
13	F430231	Nut	
14	F220900	Filter Retainer Guard	Includes item 16
15	F430910	Screw	
16	F200318900P	Filter	
17	F180506	Standoff	

# Control Module - Models UW60AV and UW60VV (Drawing 2 of 4)



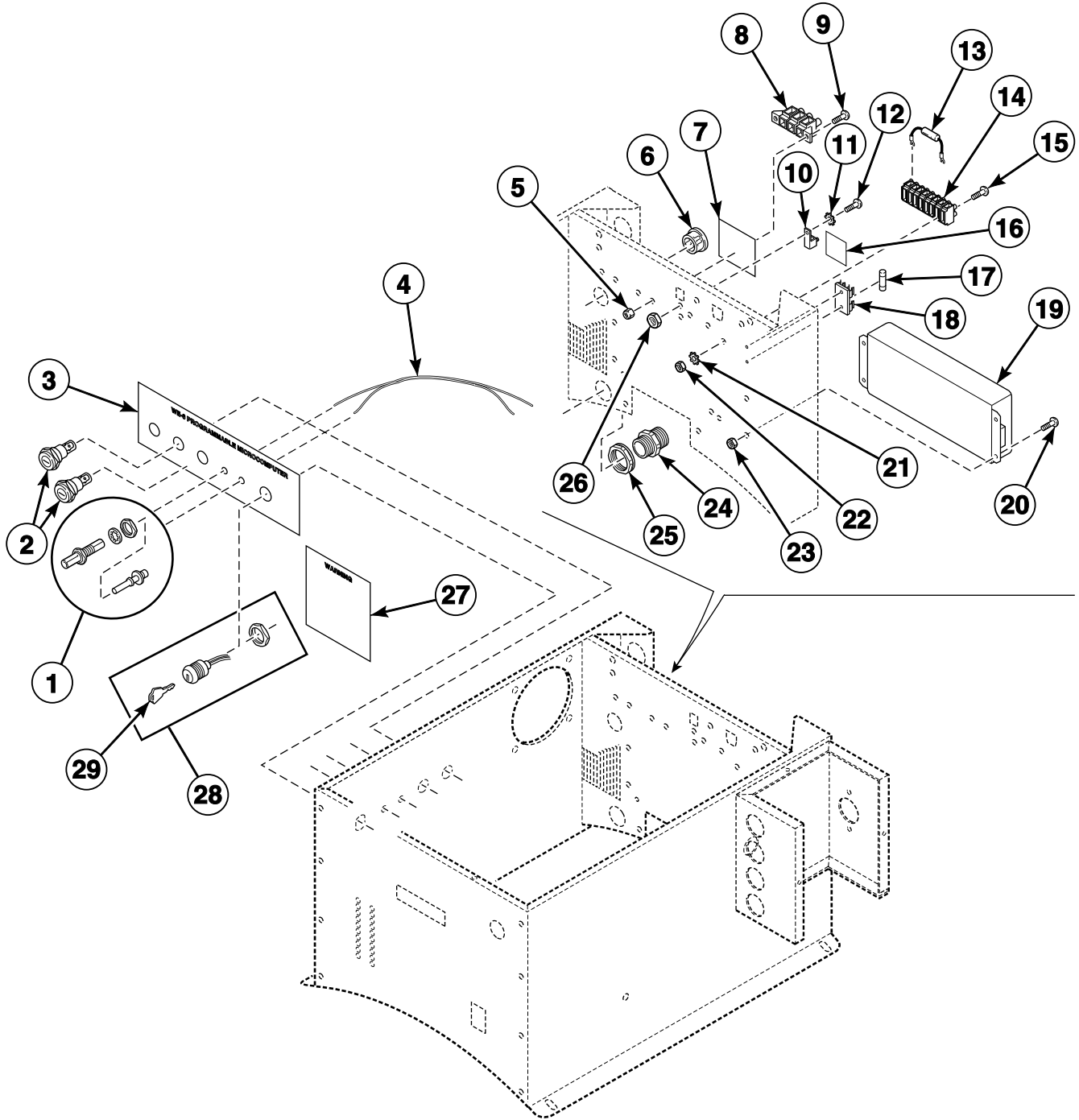
PHM2680P\_F232167



## Control Module - Models UW60AV and UW60VV (Drawing 2 of 4)

REF	PART NO.	DESCRIPTION	COMMENTS
1	F370447-6P	Output Board CCA	Model UW60VV
	F037044860-2	Output CCA	Model UW60AV
2	F431702	Screw	Model UW60AV
3	F0170427-00	Output Board Cover	Model UW60AV
4	F431806	Nut	Model UW60AV
5	F350108	Fuse	1/8 Amp; Slo blo
	F350109	Fuse	1/2 Amp; Fast blo
	F350110	Fuse	1 Amp; Slo blo
	F350142	Fuse	2 Amp; Slo blo
6	F370116	Resistor	
7	F0430165-00	Screw	
8	F200320900	AC Drive Radio Filter Assembly	
9	F370843	Inverter Drive	X-voltage
	F370844	Inverter Drive	N-voltage
10	F330230	Flange Relay	220 Volt
11	F8303001P	Circuit Breaker	N-voltage
12	F110105	Muffin Fan	220 Volt; 4 inch
13	F430231	Nut	
14	F220900	Filter Retainer Guard	
15	F430910	Screw	
16	F200318900P	Filter	
17	F180506	Standoff	

# Control Module (Drawing 3 of 4)



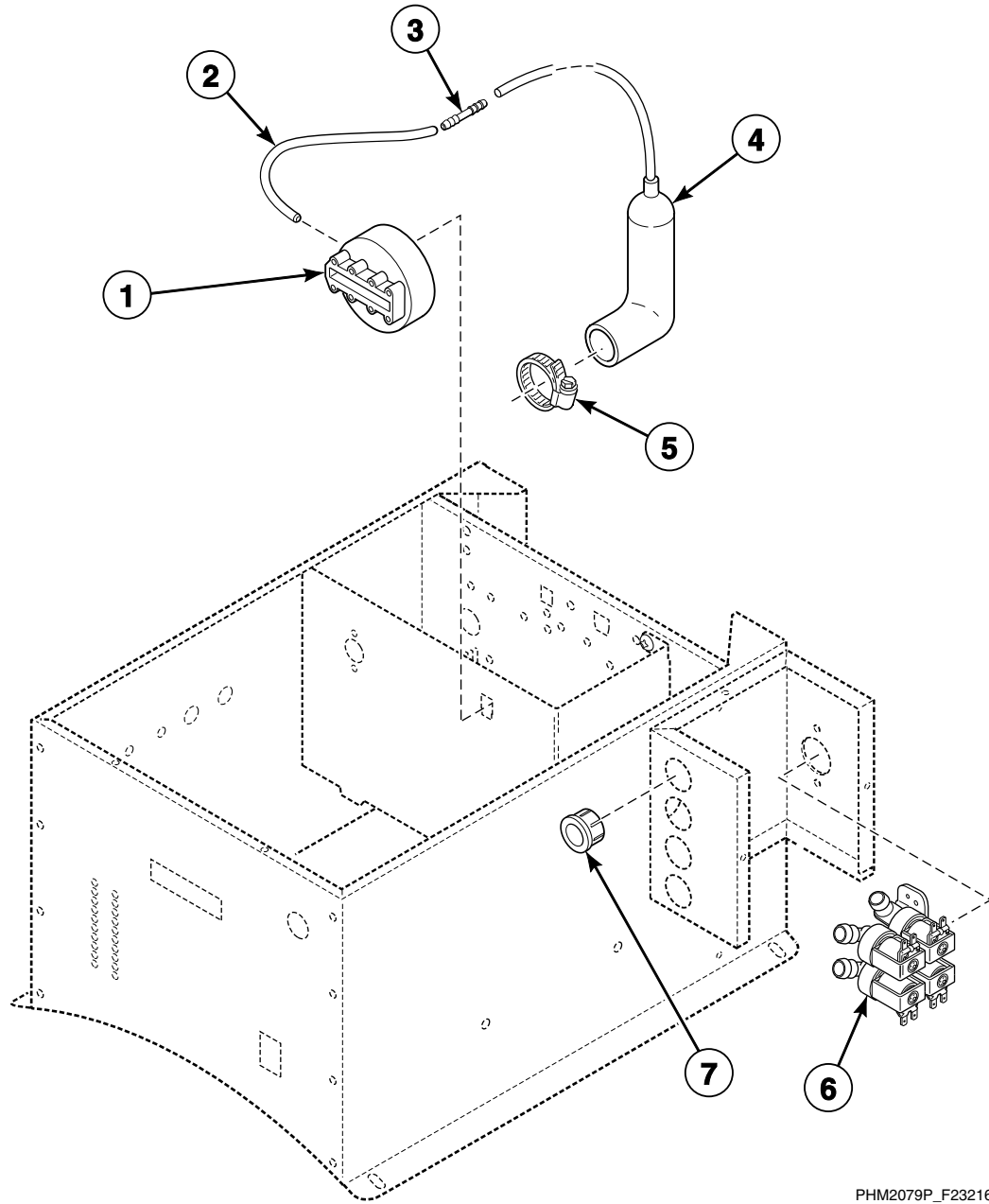
PHM2543P\_F232167

## Control Module (Drawing 3 of 4)

REF	PART NO.	DESCRIPTION	COMMENTS
1	F140575P	Connector	Model UW60PV; Gray
	F140576P	Connector	Model UW60PV; Blue
2	F350218	Circuit Breaker	1 Amp; Model UW60PV through 5/11/03
	F350210	Circuit Breaker	2 Amp; Model UW60PV through 5/11/03
	F0350313-00P	Fuse Holder	Model UW60PV starting 5/12/03; Model UW60VV
	F350142	Fuse	2 Amp; Slo blo; Model UW60PV starting 5/12/03; Model UW60VV
3	F231564	Switch Mode Decal	Model UW60PV through 5/11/03
	F0231632-00	Switch Mode Decal	Model UW60PV starting 5/12/03
	F0231629-00	Fuse Decal	Model UW60VV
4	F604713	Cable Assembly	Model UW60PV
5	F431022	Nut	
6	F140909	Insulator Bushing	
7	F0231636-00	Input Block Decal	
8	F140794-1	Input Power Block	
9	F430938	Screw	
10	F140734	Ground Terminal Lug	
11	F431106	Washer	
12	F430903	Screw	
13	F370116	Resistor	Model UW60PV
14	F140782	Terminal Block	11 place
15	F430995	Screw	
16	F230630	Ground Decal	
17	F350115	Fuse	3 Amp; Fast blo
18	F0350312-10	Fuse Holder	
19	F330280P	EMI Filter	400 Volt/3 Phase; CE models
	F330284	EMI Filter	200 Volt/3 Phase; CE models
	F8080001P	AC Drive Resistor Assembly	200 Volt; Optional
	F8079901P	AC Drive Resistor Assembly	400 Volt; Optional
20	F430909	Screw	
21	F431108	Washer	
22	F431006	Nut	
23	F431013	Nut	
24	N/A	Connector	CE models; PG21
	F180486	Cap Plug	Used in place of items 25 and 26 on non-CE models
25	F430265	Nut	CE models
26	F431000	Nut	
27	F231065	Personal Injury Warning Decal	Model UW60PV
28	F200174600P	Keymode Assembly	Includes item 29; Model UW60PV; N and P-voltage models starting 10/7/04 and through 1/14/05
	F340800P	Keymode Run/Program Switch	Includes item 29; Model UW60PV; N and P-voltage models through 10/6/04 and starting 1/15/05; All other voltage models
29	F370709	Program Key	Model UW60PV; Key Code A153

**N/A = Part no longer available**

# Control Module (Drawing 4 of 4)

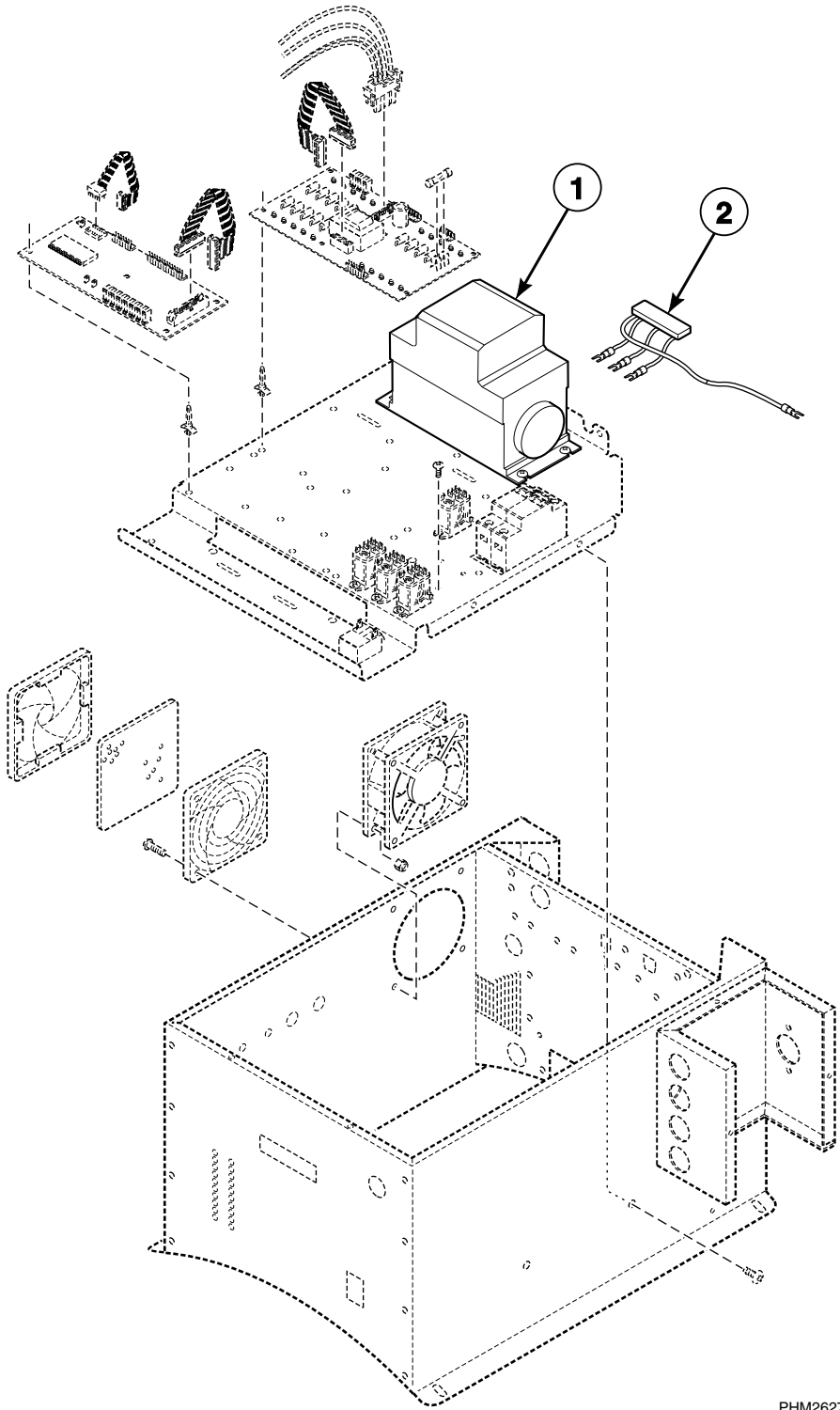


PHM2079P\_F232167

## Control Module (Drawing 4 of 4)

REF	PART NO.	DESCRIPTION	COMMENTS
1	F0340347-10P	Water Level Switch	
2	F422404P	Tubing	
3	F422500	Connector	
4	F200142	Air Trap Hose	
5	F200215	Hose Clamp	No. 28
6	F381723P	4-Way Valve	220 Volt
	G582P3	Diaphragm and Guide Kit	
7	F140938	Snap Bushing	

# AC Drive - Model UW60PV (Drawing 1 of 2)



PHM2627P\_F232167

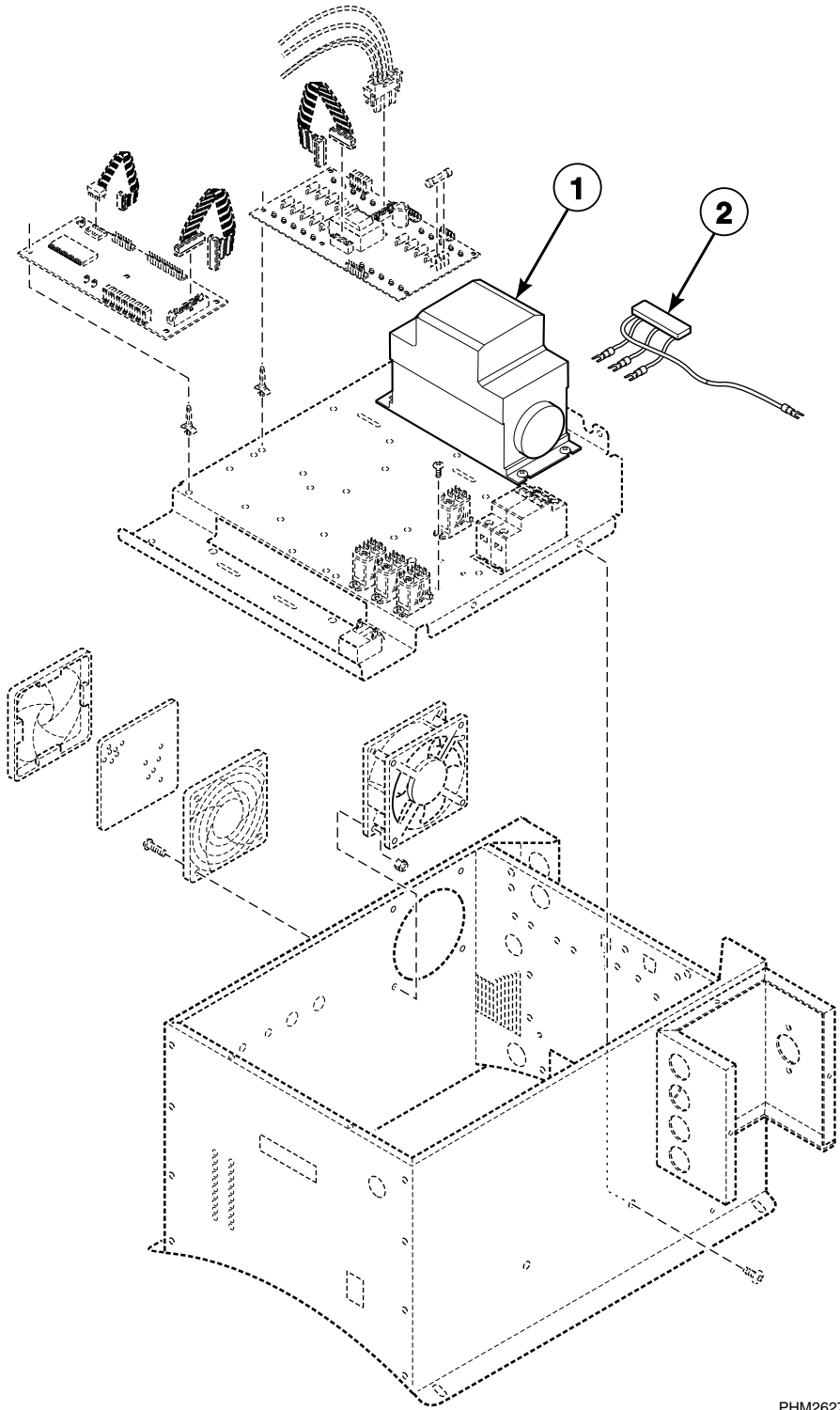
## AC Drive - Model UW60PV (Drawing 1 of 2)

REF	PART NO.	DESCRIPTION	COMMENTS
1	F0370853-792	160-Series AC Drive Kit	Q-voltage models that have previously been updated from the 1305-series drive using either F079892911, F079893110, F079892911 or F079893110 1305 to 160-Series AC Drive Retrofit Kit; Used with F220236 Motor (Motor manufacturer Part No. F-391994-61) and a 3.2-inch motor pulley; <b>NOTE: If the washer-extractor was updated from the 1305-series drive to the 160-series drive using F079893110 1305 to 160-Series AC Drive Retrofit Kit, also order F330284 EMI Filter</b>
	F0370853-801	160-Series AC Drive Kit	Q-voltage models that have previously been updated from the 1305-series drive using either F079893800 or F079894600 1305 to 160-Series AC Drive Retrofit Kit; Used with F220214U Motor (Motor manufacturer Part No. G68094) and a 3.2-inch motor pulley
	N/A	160-Series AC Drive Kit	Q-voltage models that have previously been updated from the 1305-series drive to the 160-series drive using either F079894000 or F079894800 1305 to 160-Series AC Drive Retrofit Kit; Used with F220214 Motor (Premium Efficiency; Motor manufacturer Part No. H309) and a 3.2-inch motor pulley
	N/A	160-Series AC Drive Kit	Q-voltage models that have previously been updated from the 1305-series drive to the 160-series drive using either F079894200 or F079895000 1305 to 160-Series AC Drive Retrofit Kit; Used with F220214 Motor (Premium Efficiency; Motor manufacturer Part No. A431) and a 3.2-inch motor pulley
	N/A	160-Series AC Drive Kit	Q-voltage models that have previously been updated from the 1305-series drive to the 160-series drive using either F079894400 or F079895200 1305 to 160-Series AC Drive Retrofit Kit; Used with F220434 Motor (Motor manufacturer Part No. 7695) and a 3.2-inch motor pulley
	F0370853-791	160-Series AC Drive Kit	Q-voltage design 5 models; Replaces F370843 Inverter Drive; Used with F220236 Motor (Motor manufacturer Part No. F-391994-61) and a 3.4-inch motor pulley
	F0370853-793	160-Series AC Drive Kit	Q-voltage design 5 models; Used with F220214M Motor (Motor manufacturer Part No. 9-391718-60); Includes a 3.2-inch motor pulley
	N/A	160-Series AC Drive Kit	Unprogrammed drive
2	F200320900	AC Drive Radio Filter Assembly	

**NOTE: Refer to the *Motor Manufacturer Part Number Location on the Motor's Nameplate* section for motor manufacturer part number location information.**

**N/A = Part no longer available**

# AC Drive - Model UW60PV (Drawing 2 of 2)



PHM2627P\_F232167



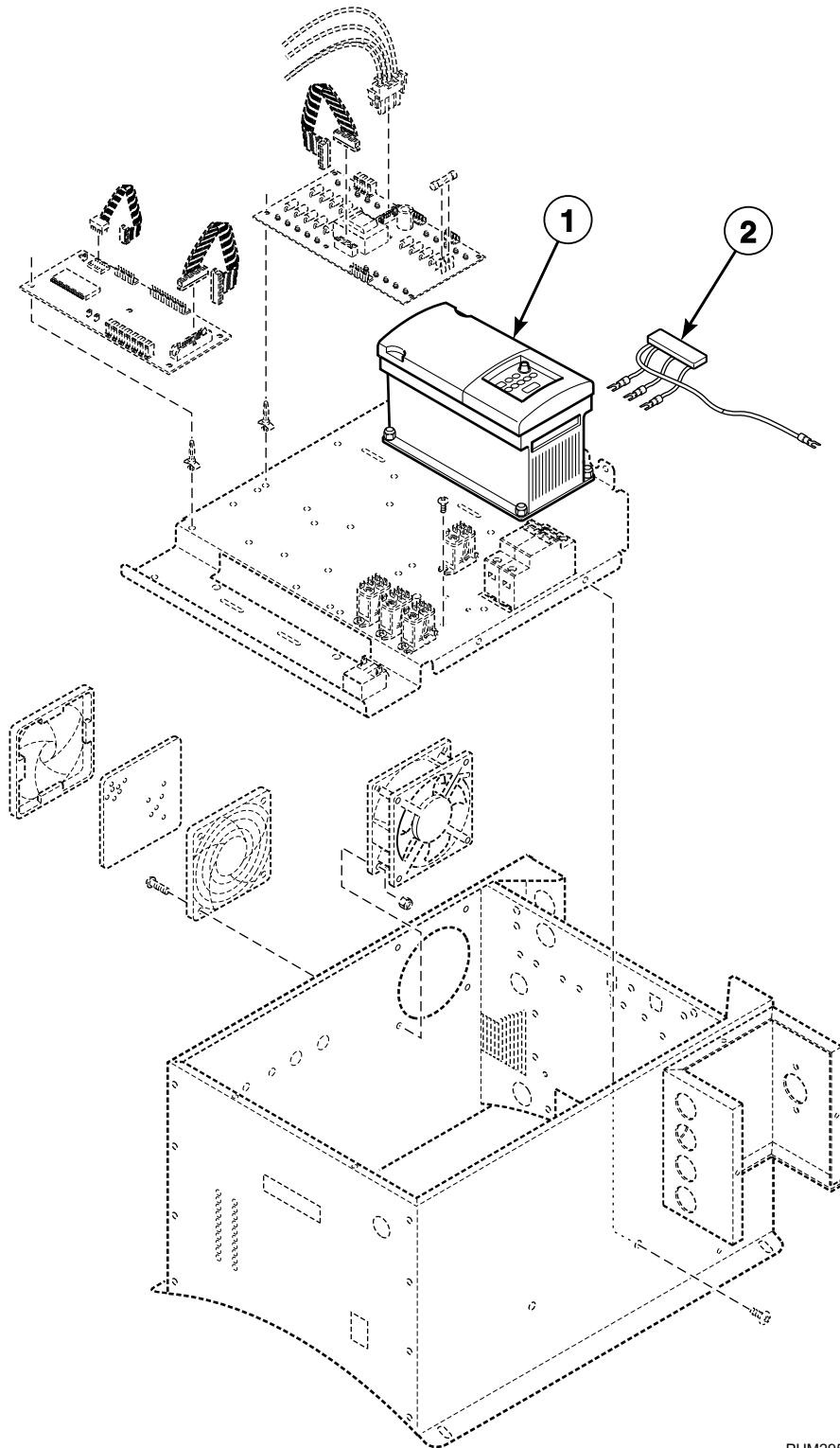
## AC Drive - Model UW60PV (Drawing 2 of 2)

REF	PART NO.	DESCRIPTION	COMMENTS
1	F0370854-792	160-Series AC Drive Kit	N and P-voltage models that have previously been updated from the 1305-series drive using either F079893010, F079893210, F079893010 or F079893210 1305 to 160-Series AC Drive Retrofit Kit; Used with F220236 Motor (Motor manufacturer Part No. F-391994-61) and a 3.2-inch motor pulley; <b>NOTE: If the washer-extractor was updated from the 1305-series drive to the 160-series drive using F079893210 1305 to 160-Series AC Drive Retrofit Kit, also order F330283 EMI Filter</b>
	F0370854-801	160-Series AC Drive Kit	N and P-voltage models that have previously been updated from the 1305-series drive using either F079893900 or F079894700 1305 to 160-Series AC Drive Retrofit Kit; Used with F220214U Motor (Motor manufacturer Part No. G68094) and a 3.2-inch motor pulley
	N/A	160-Series AC Drive Kit	N and P-voltage models that have previously been updated from the 1305-series drive to the 160-series drive using either F079894100 or F079894900 1305 to 160-Series AC Drive Retrofit Kit; Used with F220214 Motor (Premium Efficiency; Motor manufacturer Part No. H309) and a 3.2-inch motor pulley
	N/A	160-Series AC Drive Kit	N and P-voltage models that have previously been updated from the 1305-series drive to the 160-series drive using either F079894300 or F079895100 1305 to 160-Series AC Drive Retrofit Kit; Used with F220214 Motor (Premium Efficiency; Motor manufacturer Part No. A431) and a 3.2-inch motor pulley
	N/A	160-Series AC Drive Kit	N and P-voltage models that have previously been updated from the 1305-series drive to the 160-series drive using either F079894500 or F079895300 1305 to 160-Series AC Drive Retrofit Kit; Used with F220434 Motor (Motor manufacturer Part No. 7695) and a 3.2-inch motor pulley
	N/A	160-Series AC Drive Kit	N and P-voltage design 6, 7 or 8 models; Replaces F370844 Inverter Drive; Used with F220236 Motor (Motor manufacturer Part No. F-391994-61); Order F8171704 160 to PowerFlex 40 Drive Kit
	F0370854-791	160-Series AC Drive Kit	N and P-voltage design 5 models; Replaces F370844 Inverter Drive; Used with F220236 Motor (Motor manufacturer Part No. F-391994-61) and a 3.4-inch motor pulley
	F0370854-794	160-Series AC Drive Kit	N and P-voltage design 5 models; Used with F220214M Motor (Motor manufacturer Part No. 9-391718-60) and a 3.4-inch motor pulley
	N/A	160-Series AC Drive Kit	T-voltage design 6, 7 or 8 models; Used with F220214M Motor (Motor manufacturer Part No. 9-391718-60); Order F8171605 160 to PowerFlex 40 Drive Kit
	N/A	160-Series AC Drive Kit	Q, T and X-voltage design 6, 7 or 8 models; Replaces F370853 Inverter Drive; Used with F220236 Motor (Motor manufacturer Part No. F-391994-61); Order F8171604 160 to PowerFlex 40 Drive Kit
	F0370853-781	160-Series AC Drive Kit	T-voltage design 5 models; Replaces F370853 Inverter Drive; Used with F220236 Motor (Motor manufacturer Part No. F-391994-61)
	N/A	160-Series AC Drive Kit	T-voltage design 5 models; Replaces F370853 Inverter Drive; Used with F220214M Motor (Motor manufacturer Part No. 9-391718-60); Replaced by F8171608 Mitsubishi to PowerFlex 40 Drive Kit
	N/A	160-Series AC Drive Kit	Unprogrammed drive; 200 Volt application
	F0370854-STK	160-Series AC Drive Kit	Unprogrammed drive; 400 Volt application
2	F200320900	AC Drive Radio Filter Assembly	

**NOTE: Refer to the Motor Manufacturer Part Number Location on the Motor's Nameplate for motor manufacturer part number location information.**

**N/A = Part no longer available**

# AC Drive PowerFlex 40 Drive Kits



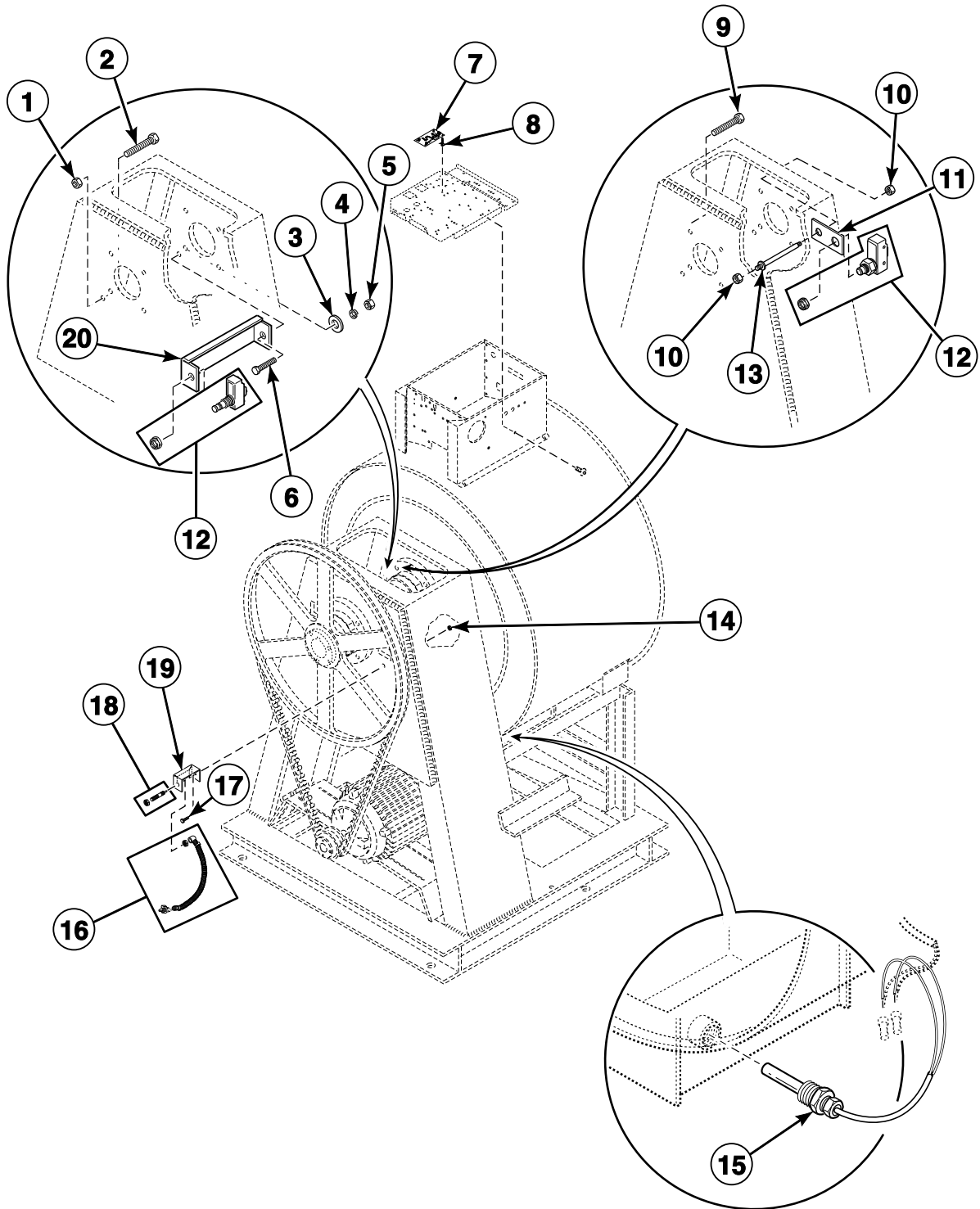
PHM2950P\_F232167

## AC Drive PowerFlex 40 Drive Kits

REF	PART NO.	DESCRIPTION	COMMENTS
1	F8171617	Mitsubishi to PowerFlex 40 Drive Kit	Model UW60PV; Q and T-voltage models with Mitsubishi A-series drive and Motor F220214U; Includes AC Drive F8103604
	F8171618	Mitsubishi to PowerFlex 40 Drive Kit	Model UW60PV; Q and T-voltage models with Mitsubishi A-series drive and Motor F220214M; Includes AC Drive F8103607
	F8171619	Mitsubishi to PowerFlex 40 Drive Kit	Model UW60PV; Q and T-voltage models with Mitsubishi A-series drive and Motor F220236; Includes AC Drive F8103607
	F8171715	Mitsubishi to PowerFlex 40 Drive Kit	Model UW60PV; N and P-voltage models with Mitsubishi A-series drive and Motor F220214U; Includes AC Drive F8103704
	F8171716	Mitsubishi to PowerFlex 40 Drive Kit	Model UW60PV; N and P-voltage models with Mitsubishi A-series drive and Motor F220236; Includes AC Drive F8103706
	F8171719	Mitsubishi to PowerFlex 40 Drive Kit	Model UW60PV; N and P-voltage models with Mitsubishi A-series drive and Motor F220214M; Includes AC Drive F8103705
	F8171611	1305 to PowerFlex 40 Drive Kit	Model UW60PV; Q and T-voltage models with Allen-Bradley 1305-series drive and Motor F220214U; Includes AC Drive F8103604
	F8171616	1305 to PowerFlex 40 Drive Kit	Model UW60PV; Q and T-voltage models with Allen-Bradley 1305-series drive and Motor F220214M; Includes AC Drive F8103607
	F8171620	1305 to PowerFlex 40 Drive Kit	Model UW60PV; Q and T-voltage models with Allen-Bradley 1305-series drive and Motor F220236; Includes AC Drive F8103608
	F8171717	1305 to PowerFlex 40 Drive Kit	Model UW60PV; N and P-voltage models with Allen-Bradley 1305-series drive and Motor F220214U; Includes AC Drive F8103704
	F8171718	1305 to PowerFlex 40 Drive Kit	Model UW60PV; N and P-voltage models with Allen-Bradley 1305-series drive and Motor F220236; Includes AC Drive F8103706
	F8171720	1305 to PowerFlex 40 Drive Kit	Model UW60PV; N and P-voltage models with Allen-Bradley 1305-series drive and Motor F220214M; Includes AC Drive F8103705
	F8171612	160 to PowerFlex 40 Drive Kit	Model UW60PV; Q and T-voltage design 5 models with Allen-Bradley 160-series drive and Motor F220214M; Includes AC Drive F8103607
	F8171613	160 to PowerFlex 40 Drive Kit	Model UW60PV; Q and T-voltage design 5 models with Allen-Bradley 160-series drive and Motor F220236; Includes AC Drive F8103608
	F8171615	160 to PowerFlex 40 Drive Kit	Model UW60PV; Q, T and X-voltage design 6-8 models with Allen-Bradley 160-series drive and Motor F220214M; Includes AC Drive F8103621
	F8171614	160 to PowerFlex 40 Drive Kit	Model UW60PV; Q, T and X-voltage design 6-8 models with Allen-Bradley 160-series drive and Motor F220236; Includes AC Drive F8103622
	F8171712	160 to PowerFlex 40 Drive Kit	Model UW60PV; P and N-voltage design 5 models with Allen-Bradley 160-series drive and Motor F220214M; Includes AC Drive F8103705
	F8171713	160 to PowerFlex 40 Drive Kit	Model UW60PV; P and N-voltage design 5 models with Allen-Bradley 160-series drive and Motor F220236; Includes AC Drive F8103706
	F8171714	160 to PowerFlex 40 Drive Kit	Model UW60PV; P and N-voltage design 6-8 models with Allen-Bradley 160-series drive and Motor F220236; Includes AC Drive F8103717
	F8255202	160 to PowerFlex 40 Drive Kit	Models UW60AV and UW60VV; X-voltage designs 7 and 8 models with Allen-Bradley 160-series drive; Includes AC Drive F8169615
F8255302	160 to PowerFlex 40 Drive Kit	Models UW60AV and UW60VV; P and N-voltage designs 7 and 8 models with Allen-Bradley 160-series drive; Includes AC Drive F8169616	
2	F200320900	AC Drive Radio Filter Assembly	

**NOTE: Refer to the Motor Manufacturer Part Number Location on the Motor's Nameplate for motor manufacturer part number location information.**

# Balance Switch, Temperature Probe and Rotation Sensor

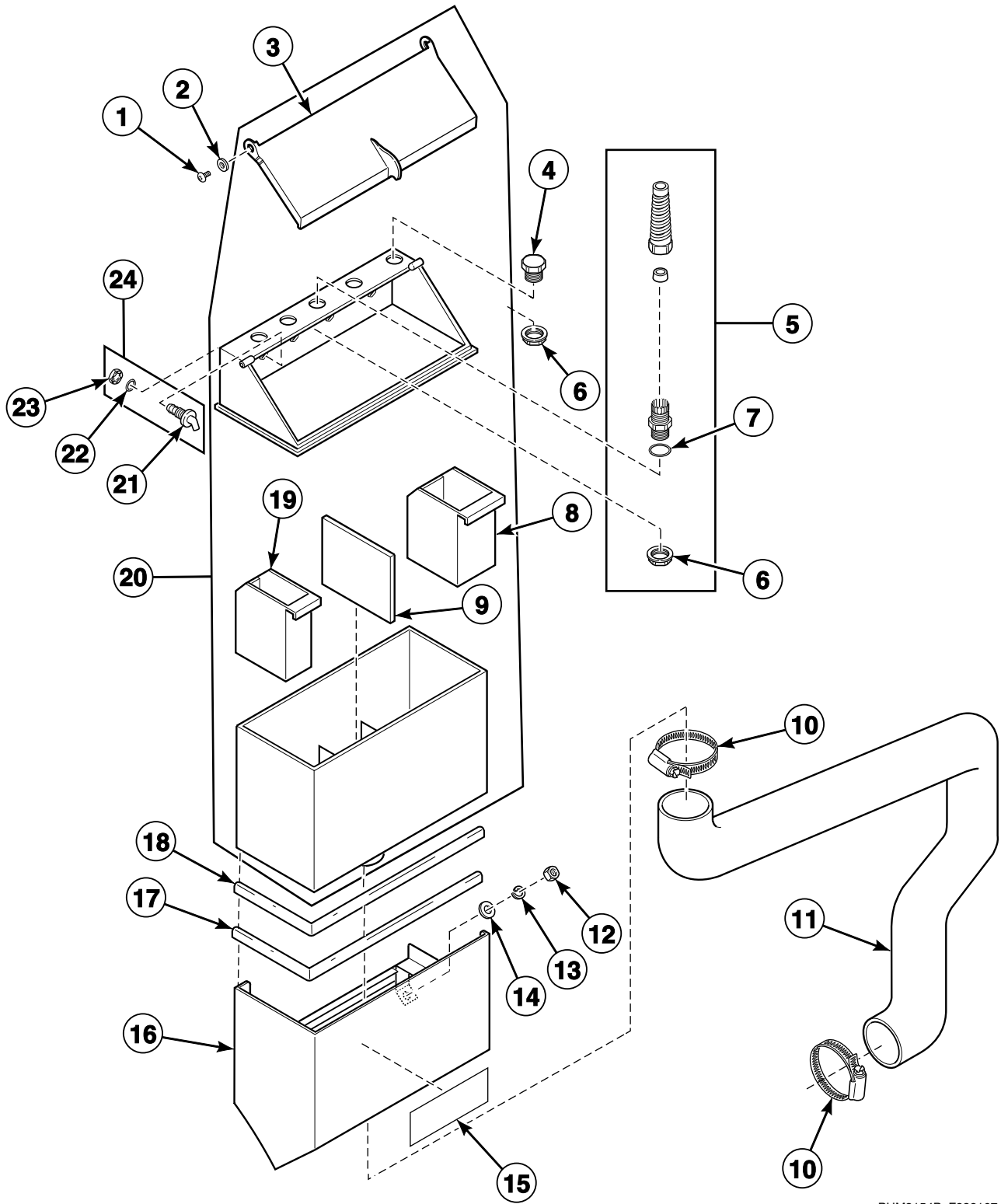


PHM2964P\_F232167

## Balance Switch, Temperature Probe and Rotation Sensor

REF	PART NO.	DESCRIPTION	COMMENTS
1	H88412101	Nut	Models through 10/7/07
2	F0430540-00	Bolt	Models through 10/7/07
3	M400081	Washer	
4	M400014	Washer	
5	20274	Nut	Models through 10/7/07
6	800461	Screw	Models through 10/7/07
7	F200101300P	Rotation Sensor PCB	Model UW60PV
8	F180501	Standoff	Model UW60PV
9	F8122701	Screw	Models starting 10/8/07
10	44087301	Nut	Models starting 10/8/07
11	F8124301	Balance Switch Bracket	Models starting 10/8/07
	F340921	Switch	CE models
12	F340900	Interlock Switch	
	F340924	Switch Extension	CE models; Use with F340921 Switch
13	F8111101	Screw	Models starting 10/8/07
14	F430218	Nut	Model UW60PV
15	F370606P	Temperature Probe	
16	F8066401	Rotation Sensor Harness	Model UW60PV
17	F430927	Screw	Model UW60PV
18	F200126200P	Rotation Sensor Assembly	Model UW60PV
	F079900800	Rotation Sensor Retrofit Kit	Model UW60PV; Includes items 7, 8, 14, 16, 17 and 19
19	F200122502	Rotation Sensor Bracket	Model UW60PV
20	F601750	Balance Switch Bracket	Models through 10/7/07

# Supply Dispenser

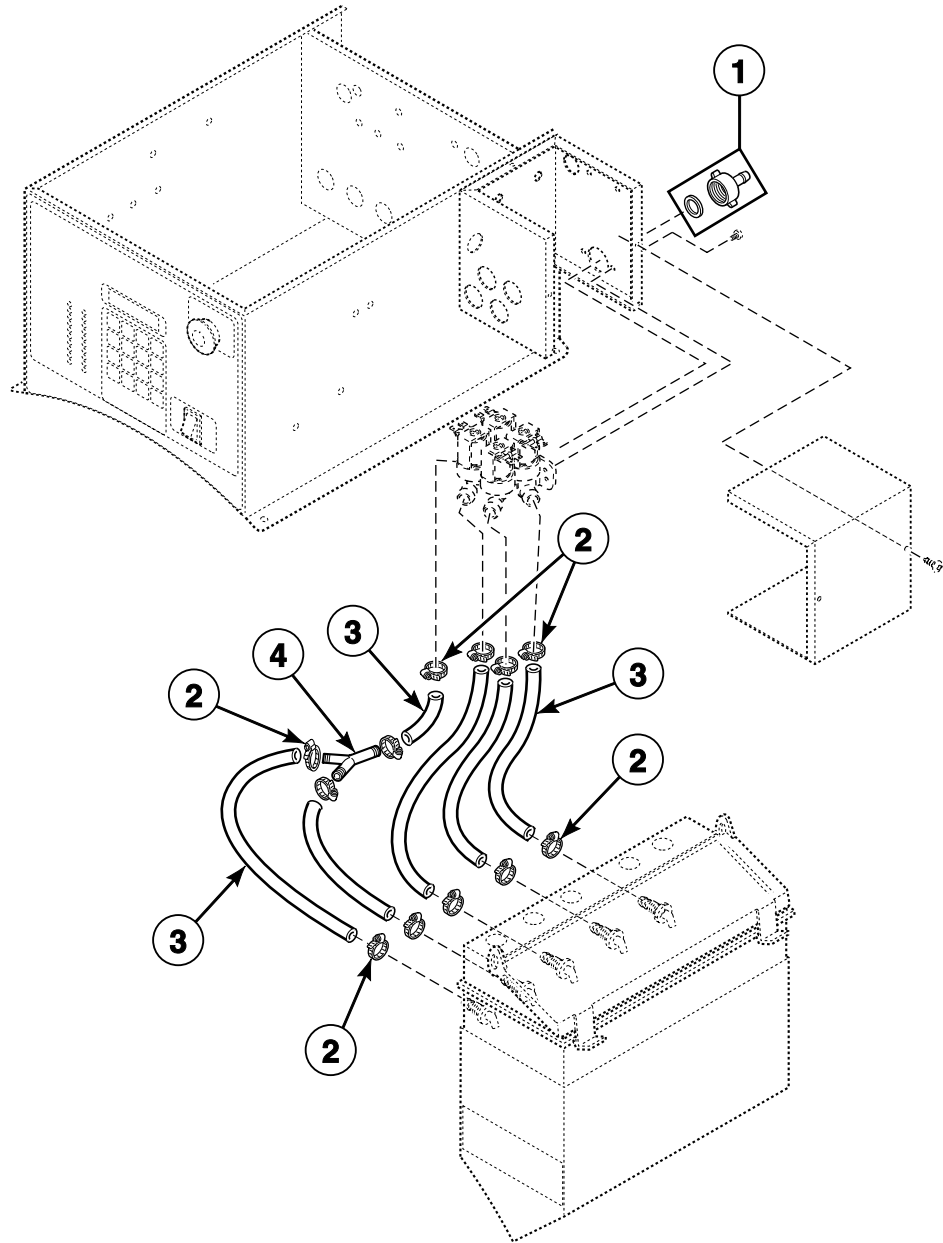


PHM3154P\_F232167

# Supply Dispenser

REF	PART NO.	DESCRIPTION	COMMENTS
1	F430917	Screw	
2	F8195301	Washer	
3	F0150514-00	Dispenser Lid	
4	F190304	Plug Cap	
5	F749802	Strain Relief Adapter Kit	Includes items 6 and 7
6	F140340P	Strain Relief Connector	Includes F0431160-00 Nut
7	F170215	O-Ring	
8	F150386	Chemical Supply Cup	32 ounce; 2 required
9	F0150525-00	Supply Dispenser Spacer	
10	F200213	Hose Clamp	No. 40
11	F150469	Chemical Supply Hose	
12	F431005	Nut	
13	F431100	Washer	
14	F431147	Washer	
15	F231436	Supply Dispenser Hazard Caution Decal	
16	F8024301	Soap Dispenser Shroud Weldment	
17	F170158P	Gasket	
18	F170400RP	Trim	
19	F150385	Chemical Supply Cup	20 ounce; 3 required
20	F0150512-00P	Dispenser Assembly	Includes items 3, 8, 9 and 19
21	F8322001	Injection Nozzle	
22	F170208	O-Ring	
23	802292	Nut	
24	F730168	Injection Nozzle Kit	Includes items 21-23

# Hoses to Supply Dispenser



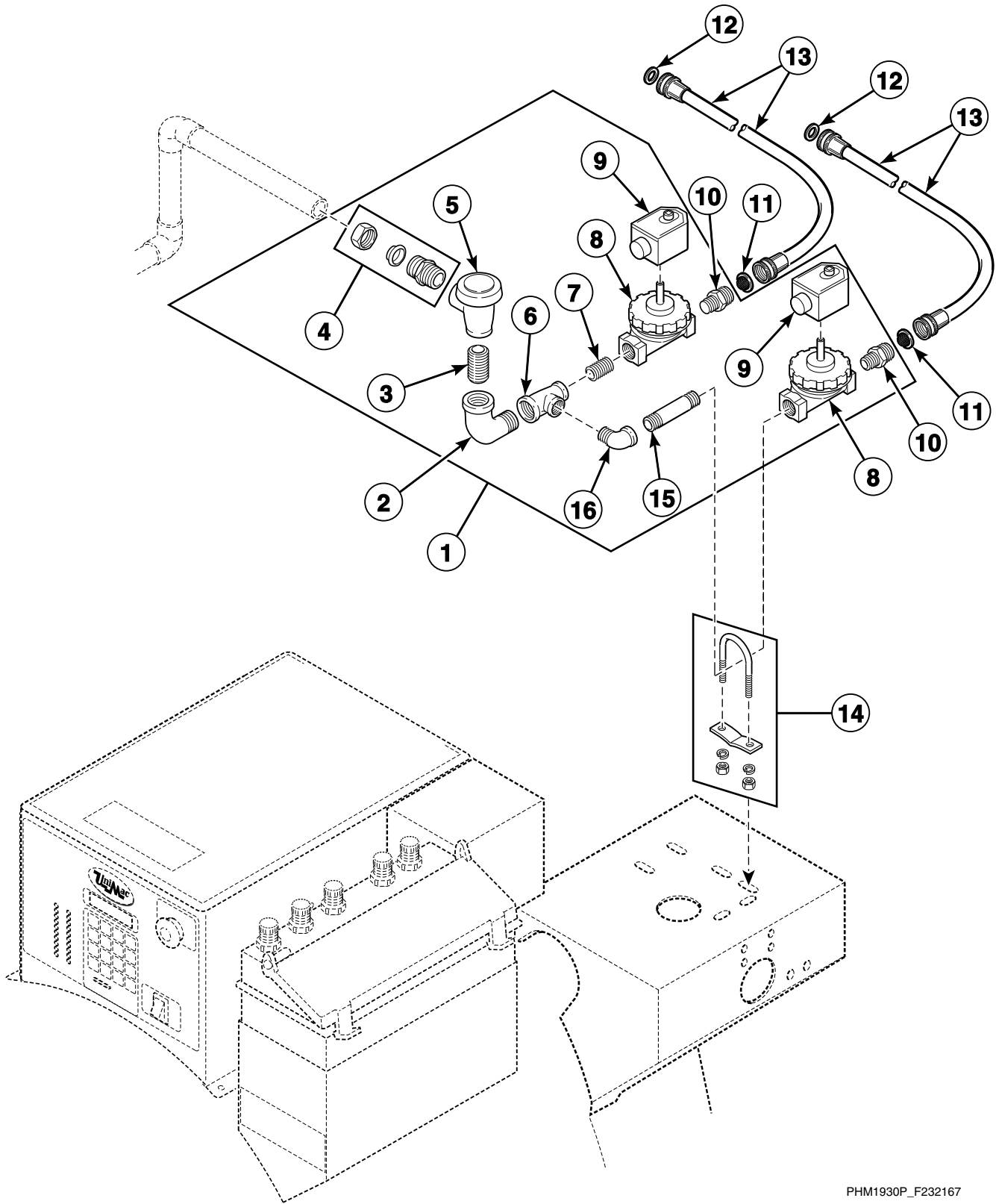
PHM3146P\_F232167



## Hoses to Supply Dispenser

REF	PART NO.	DESCRIPTION	COMMENTS
1	F200302	Hose Connector	
2	36801	Hose Clamp	No. 6
3	F200110P	Water Hose	
4	F422816	Y Connector	

# Spray Plumbing - Design 5 and 6 UW60PV Models

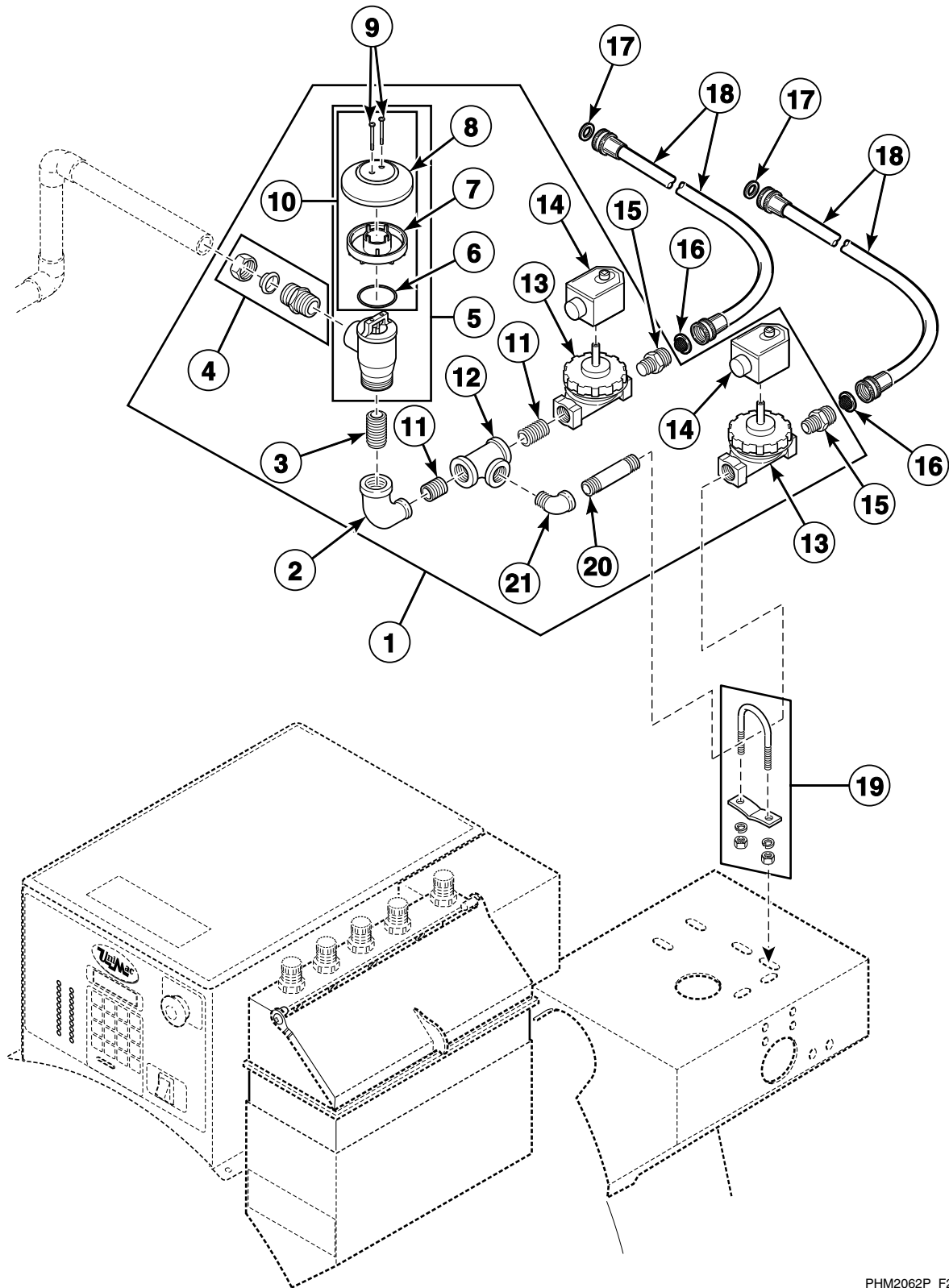


PHM1930P\_F232167

## Spray Plumbing - Design 5 and 6 UW60PV Models

REF	PART NO.	DESCRIPTION	COMMENTS
1	F633150-1	Spray Plumbing Assembly	220 Volt; Standard thread; Includes items 2-10, 15 and 16
	F633150-5	Spray Plumbing Assembly	220 Volt; Metric thread; Includes items 2-10, 15 and 16
2	F420502	Street Elbow	
3	F420105	Nipple	
4	F422106	Tube Connector	
5	F380800P	Vacuum Breaker Valve	3/4 inch; F380965P Repair Kit
6	F420401	Tee	
7	F420101	Nipple	
8	F381703P	Valve	220 Volt; 1/2 inch; F380993P Valve Repair Kit; 372P4 Valve Head Tool; Parker
9	F300126P	Solenoid	220 Volt; F141901 DIN Harness
10	F421908	Hose Adapter	Standard thread
	F421949	Nipple	Metric thread
11	803615	Washer	Filter
12	20290	Washer	
13	F200164	Water Hose	Standard thread
	F200166	Water Hose	Metric thread
14	F200401P	U-Bolt Clamp	
15	F420103	Nipple	
16	F420500	Street Elbow	

# Spray Plumbing - Design 7 and 8 UW60PV Models

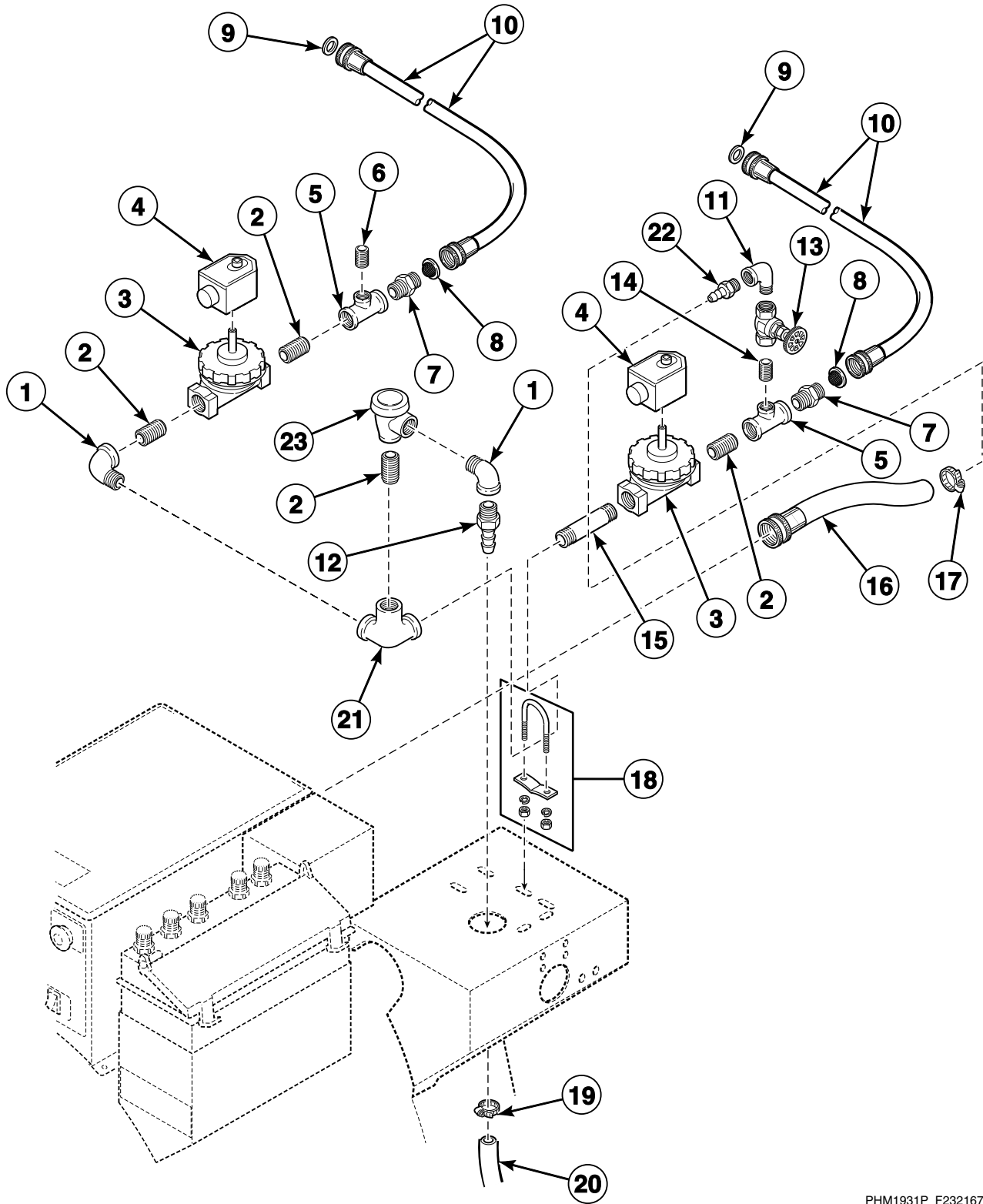


PHM2062P\_F232167

## Spray Plumbing - Design 7 and 8 UW60PV Models

REF	PART NO.	DESCRIPTION	COMMENTS
1	F0637633-01	Spray Plumbing Assembly	220 Volt; Includes items 2-5, 11-15, 20 and 21
	F0637633-03	Spray Plumbing Assembly	220 Volt; Metric thread; Includes items 2-5, 11-15, 20 and 21
2	F0422918-00	Elbow	
3	F420105	Nipple	
4	F422106	Tube Connector	
5	F063754701P	Vacuum Breaker Valve	3/4 inch; Includes items 6-9; F380965P Repair Kit
6	F0170221-00	O-Ring	
7	F0380809-00	Containment Device	
8	F0380808-00	Vacuum Breaker Cap	
9	F430938	Screw	
10	F0798922-00	Vacuum Breaker Kit	Includes items 6-9 and installation instructions
11	F420101	Nipple	
12	F420400	Tee	
13	F381703P	Valve	220 Volt; 1/2 inch; F380993P Valve Repair Kit; 372P4 Valve Head Tool; Parker
14	F300126P	Solenoid	220 Volt; F141901 DIN Harness
15	F421908	Hose Adapter	Standard thread
	F421949	Nipple	Metric thread
16	803615	Washer	Filter
17	20290	Washer	
18	F200164	Water Hose	Standard thread
	F200166	Water Hose	Metric thread
19	F200401P	U-Bolt Clamp	
20	F420103	Nipple	
21	F420500	Street Elbow	

# Fill Plumbing - Design 5 and 6 UW60PV Models Through 2/29/02

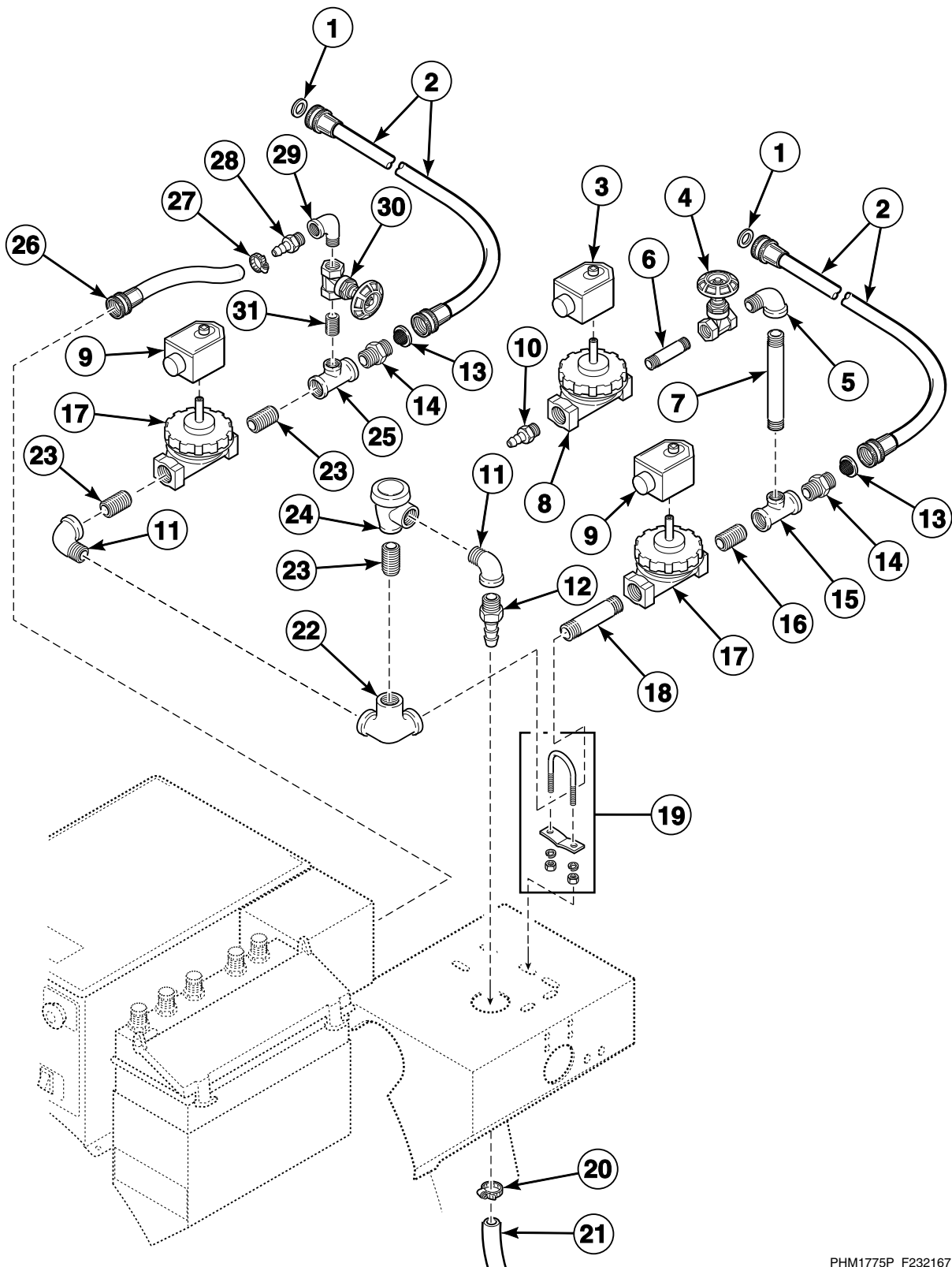


PHM1931P\_F232167

## Fill Plumbing - Design 5 and 6 UW60PV Models Through 2/29/02

REF	PART NO.	DESCRIPTION	COMMENTS
	F633146-1	Fill Plumbing Assembly	Standard thread; Includes items 3-7, 11-15 and 21-23
	F633419-1	Fill Plumbing Assembly	Standard thread; Starch; Includes items 3-7, 11-15 and 21-23
	F633146-5	Fill Plumbing Assembly	Metric thread; Includes items 3-7, 11-15 and 21-23
	F633419-5	Fill Plumbing Assembly	Metric thread; Starch; Includes items 3-7, 11-15 and 21-23
1	F420502	Street Elbow	
2	F420105	Nipple	
3	F381701P	Valve	220 Volt; 3/4 inch; F380991P Valve Repair Kit; 371P4 Valve Head Tool; Parker
4	F300126P	Solenoid	220 Volt; F141901 DIN Harness
5	F420402	Tee	
6	F420408	Plug	
7	F421909	Hose Adapter	Standard thread
	F8265701	Adapter	Metric thread
8	803615	Washer	Filter
9	20290	Washer	
10	F200164	Water Hose	Standard thread
	F200166	Water Hose	Metric thread
11	F420500	Street Elbow	
12	F421951	Hose Barb	
13	F380500	Gate Valve	1/2 inch
14	F420101	Nipple	
15	F420107	Nipple	
16	F200509	Water Hose	
17	F200206	Hose Clamp	No. 4
18	F200401P	U-Bolt Clamp	
19	F200222	Hose Clamp	No. 12
20	F200104P	Hose	
21	F420509	Elbow	
22	F421964	Hose Barb	
23	F380800P	Vacuum Breaker Valve	3/4 inch; Vacuum breaker; F380965P Repair Kit

# Fill Plumbing - Design 5 and 6 UW60PV Models Starting 3/1/02



PHM1775P\_F232167

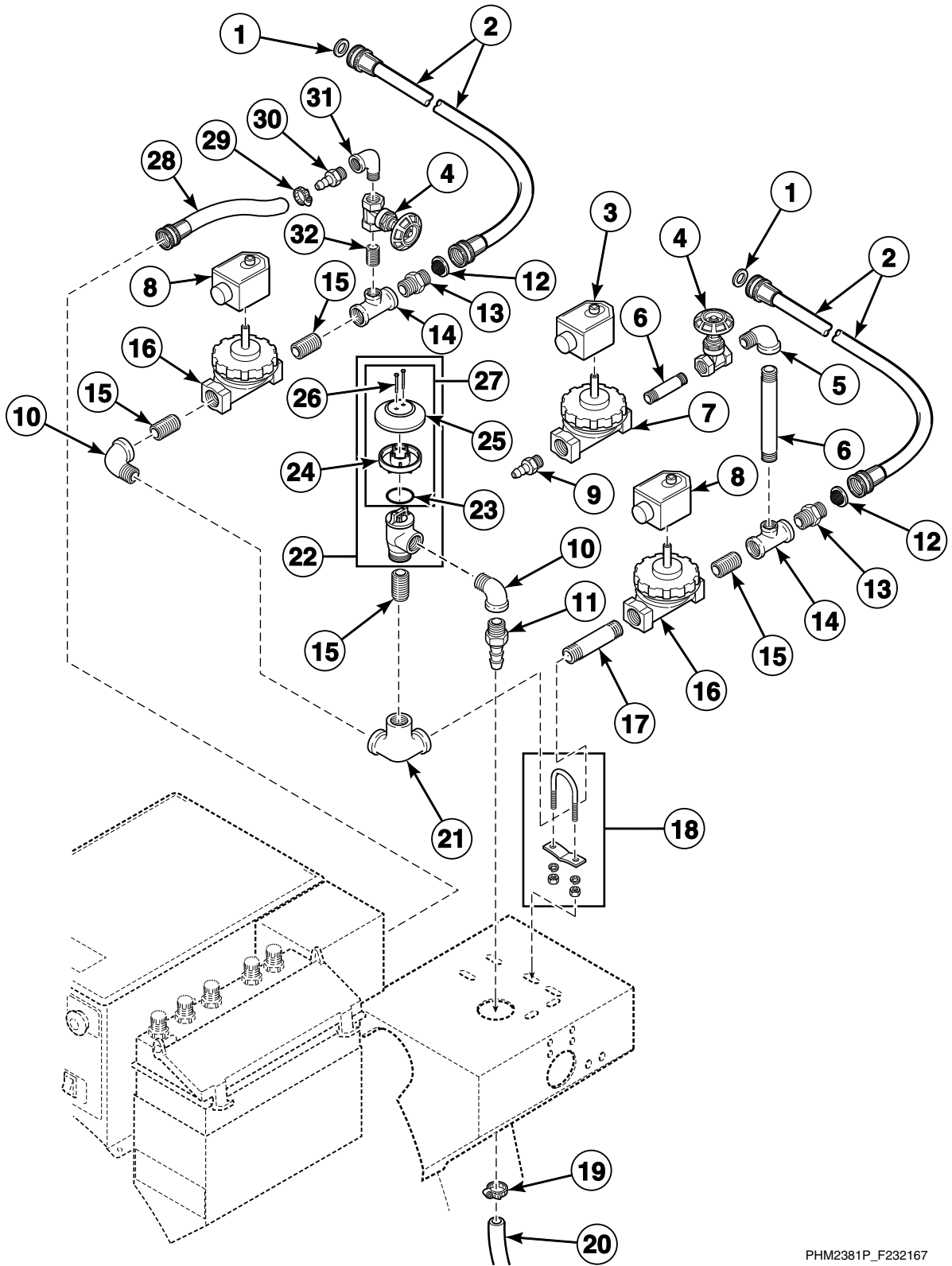


## Fill Plumbing - Design 5 and 6 UW60PV Models Starting 3/1/02

REF	PART NO.	DESCRIPTION	COMMENTS
	F633146-1	Fill Plumbing Assembly	220 Volt; Standard thread; Includes items 9, 11, 12, 14, 17, 18, 22-25 and 28-31
	F633146-5	Fill Plumbing Assembly	220 Volt; Metric thread; Includes items 9, 11, 12, 14, 17, 18, 22-25 and 28-31
	F633419-1	Fill Plumbing Assembly	220 Volt; Standard thread; Starch; Includes items 3-12, 14-18, 22-25 and 28-31
	F633419-5	Fill Plumbing Assembly	220 Volt; Metric thread; Starch; Includes items 3-12, 14-18, 22-25 and 28-31
<b>1</b>	20290	Washer	
<b>2</b>	F200164	Water Hose	Standard thread
	F200166	Water Hose	Metric thread
<b>3</b>	F300126P	Solenoid	220 Volt; Starch models; F141901 DIN Harness
<b>4</b>	F380500	Gate Valve	Starch models
<b>5</b>	F420500	Street Elbow	Starch models
<b>6</b>	F420103	Nipple	Starch models
<b>7</b>	N/A	Nipple	Starch models
<b>8</b>	F381703P	Valve	220 Volt; Starch models; 1/2 inch; Parker
	F380993P	Valve Repair Kit	Starch models; 1/2 inch
	372P4	Valve Head Tool	
<b>9</b>	F300126P	Solenoid	220 Volt; F141901 DIN Harness
<b>10</b>	F421964	Hose Barb	Starch models
<b>11</b>	F420502	Street Elbow	
<b>12</b>	F421951	Hose Barb	
<b>13</b>	803615	Washer	Filter
<b>14</b>	F421909	Hose Adapter	Standard thread
	F8265701	Adapter	Metric thread
<b>15</b>	F420402	Tee	Starch models
<b>16</b>	F420105	Nipple	Starch models
<b>17</b>	F381701P	Valve	220 Volt; 3/4 inch; Parker
	F380991P	Water Valve Repair Kit	3/4 inch
	371P4	Valve Head Tool	
<b>18</b>	F420107	Nipple	
<b>19</b>	F200401P	U-Bolt Clamp	
<b>20</b>	F200222	Hose Clamp	No. 12
<b>21</b>	F200104P	Hose	
<b>22</b>	F420509	Elbow	
<b>23</b>	F420105	Nipple	
<b>24</b>	F380800P	Vacuum Breaker Valve	3/4 inch
	F380965P	Repair Kit	3/4 inch
<b>25</b>	F420402	Tee	
<b>26</b>	F200509	Water Hose	
<b>27</b>	F200206	Hose Clamp	No. 4
<b>28</b>	F421964	Hose Barb	
<b>29</b>	F420500	Street Elbow	
<b>30</b>	F380500	Gate Valve	
<b>31</b>	F420101	Nipple	

**N/A = Part no longer available**

# Fill Plumbing - Design 7 and 8 UW60PV Models



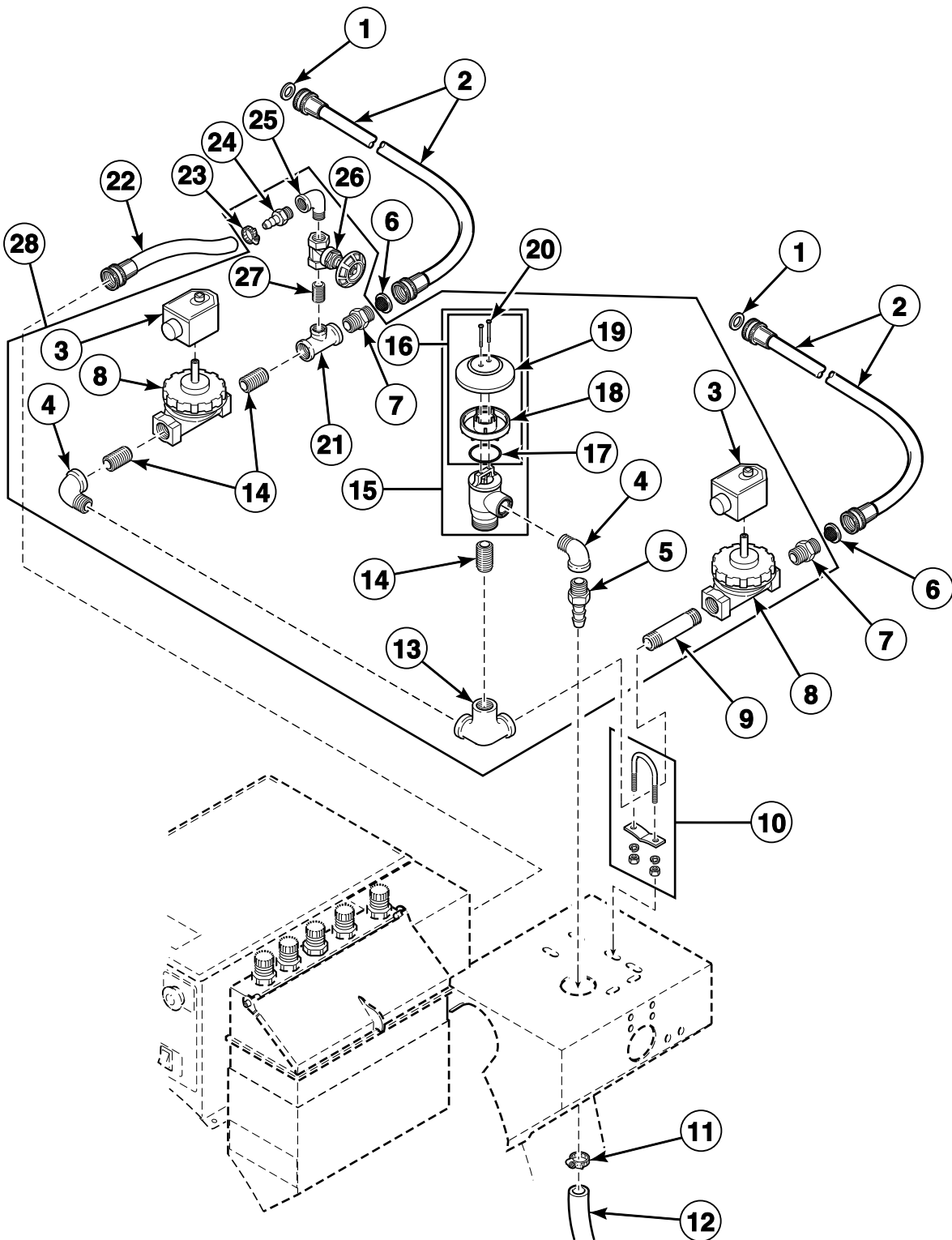
PHM2381P\_F232167

## Fill Plumbing - Design 7 and 8 UW60PV Models

REF	PART NO.	DESCRIPTION	COMMENTS
	F0637637-01	Fill Plumbing Assembly	220 Volt; Standard thread; Includes items 4, 10, 11, 13-17, 21, 22, 31 and 32
	N/A	Fill Plumbing Assembly	220 Volt; Metric thread; Includes items 4, 10, 11, 13-17, 21, 22, 31 and 32
	N/A	Fill Plumbing Assembly	220 Volt; Standard thread; Starch; Includes items 4-7, 9-11, 13-17, 21, 22, 31 and 32
	N/A	Fill Plumbing Assembly	220 Volt; Metric thread; Starch; Includes items 4-7, 9-11, 13-17, 21, 22, 31 and 32
<b>1</b>	20290	Washer	
<b>2</b>	F200164	Water Hose	Standard thread
	F200166	Water Hose	Metric thread
<b>3</b>	F300126P	Solenoid	220 Volt; Starch models; F141901 DIN Harness
<b>4</b>	F380500	Gate Valve	
<b>5</b>	F420500	Street Elbow	Starch models
<b>6</b>	F420103	Nipple	Starch models
<b>7</b>	F381703P	Valve	220 Volt; Starch models; 1/2 inch; Parker
	F380993P	Valve Repair Kit	Starch models; 1/2 inch
	372P4	Valve Head Tool	
<b>8</b>	F300126P	Solenoid	220 Volt; F141901 DIN Harness
<b>9</b>	F421964	Hose Barb	Starch models
<b>10</b>	F420502	Street Elbow	
<b>11</b>	F421951	Hose Barb	
<b>12</b>	803615	Washer	Filter
<b>13</b>	F421909	Hose Adapter	Standard thread
	F8265701	Adapter	Metric thread
<b>14</b>	F420402	Tee	
<b>15</b>	F420105	Nipple	
<b>16</b>	F381701P	Valve	220 Volt; 3/4 inch; Parker
	F380991P	Water Valve Repair Kit	3/4 inch
	371P4	Valve Head Tool	
<b>17</b>	F420107	Nipple	
<b>18</b>	F200401P	U-Bolt Clamp	
<b>19</b>	F200222	Hose Clamp	No. 12
<b>20</b>	F200104P	Hose	
<b>21</b>	F420509	Elbow	
<b>22</b>	F063754701P	Vacuum Breaker Valve	3/4 inch; Includes item 27; F380965P Repair Kit
<b>23</b>	F0170221-00	O-Ring	
<b>24</b>	F0380809-00	Containment Device	
<b>25</b>	F0380808-00	Vacuum Breaker Cap	
<b>26</b>	F430938	Screw	
<b>27</b>	F0798922-00	Vacuum Breaker Kit	Includes items 23-26 and installation instructions
<b>28</b>	F200509	Water Hose	
<b>29</b>	F200206	Hose Clamp	No. 4
<b>30</b>	F421964	Hose Barb	
<b>31</b>	F420500	Street Elbow	
<b>32</b>	F420101	Nipple	

N/A = Part no longer available

# Fill Plumbing - Models UW60AV and UW60VV



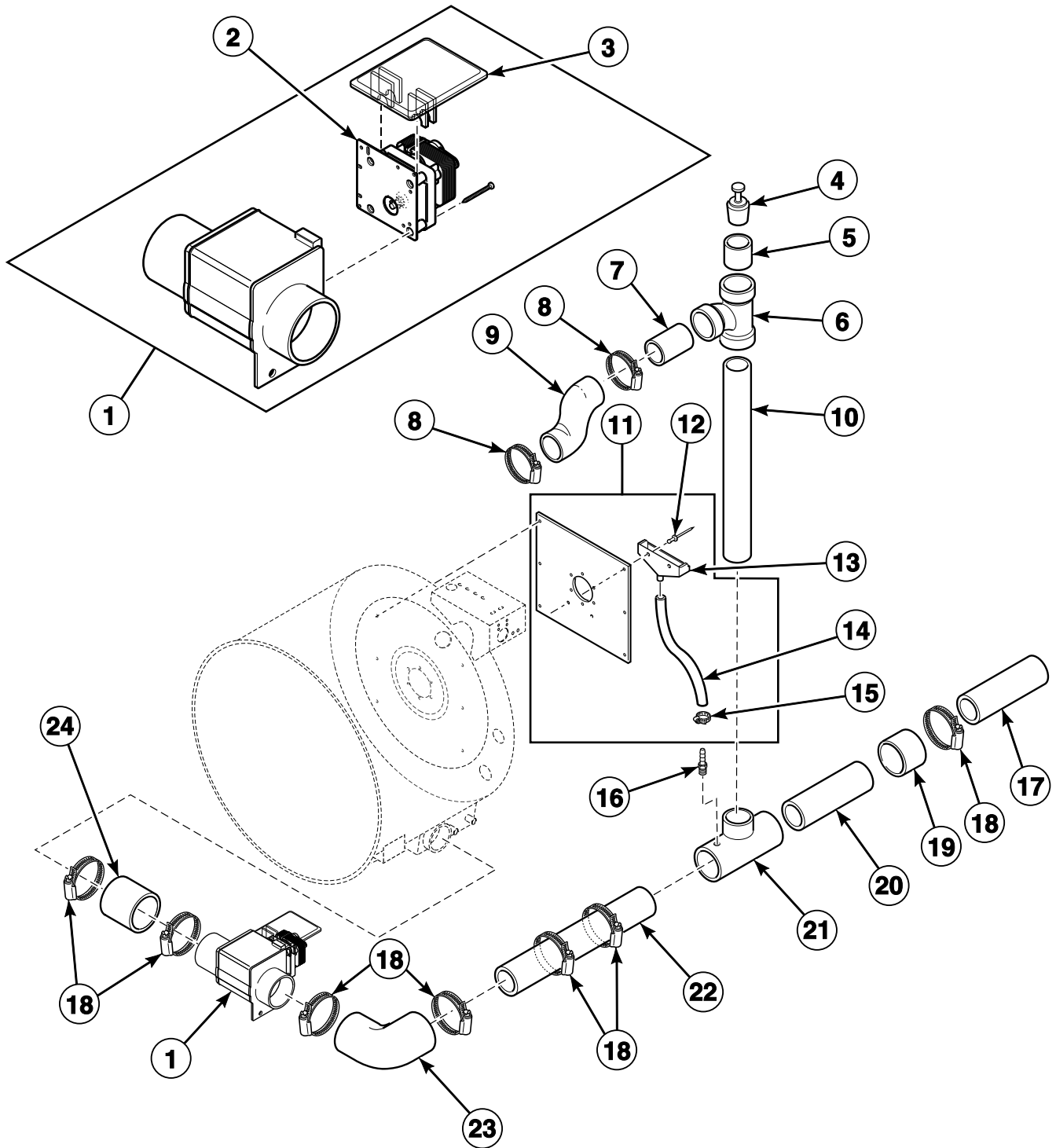
PHM2045P\_F232167

## Fill Plumbing - Models UW60AV and UW60VV

REF	PART NO.	DESCRIPTION	COMMENTS
1	20290	Washer	
2	F200164	Water Hose	Standard thread
	F200166	Water Hose	Metric thread
3	F300126P	Solenoid	220 Volt
4	F420502	Street Elbow	
5	F421951	Hose Barb	
6	803615	Washer	Filter
7	F421909	Hose Adapter	Standard thread
	F8265701	Adapter	Metric thread
8	F381701P	Valve	220 Volt; 3/4 inch
	F380991P	Water Valve Repair Kit	3/4 inch
	371P4	Valve Head Tool	
9	F420107	Nipple	
10	F200401P	U-Bolt Clamp	
11	F200222	Hose Clamp	No. 12
12	F200104P	Hose	
13	F420509	Elbow	
14	F420105	Nipple	
15	F063754701P	Vacuum Breaker Valve	3/4 inch; Includes item 16; F380965P Repair Kit
16	F0798922-00	Vacuum Breaker Kit	Includes items 17-20
17	F0170221-00	O-Ring	
18	F0380809-00	Containment Device	
19	F0380808-00	Vacuum Breaker Cap	
20	F430938	Screw	
21	F420402	Tee	
22	F200509	Water Hose	
23	F200206	Hose Clamp	No. 4
24	F421964	Hose Barb	
25	F420500	Street Elbow	
26	F380500	Gate Valve	
27	F420101	Nipple	
28	F0637637-01	Fill Plumbing Assembly	220 Volt; Standard thread; Includes items 3-5, 7-9, 13-21 and 23-27
	N/A	Fill Plumbing Assembly	220 Volt; Metric thread; Includes items 3-5, 7-9, 13-21 and 23-27

**N/A = Part no longer available**

# Drain System, Overflow and Vent Pipes



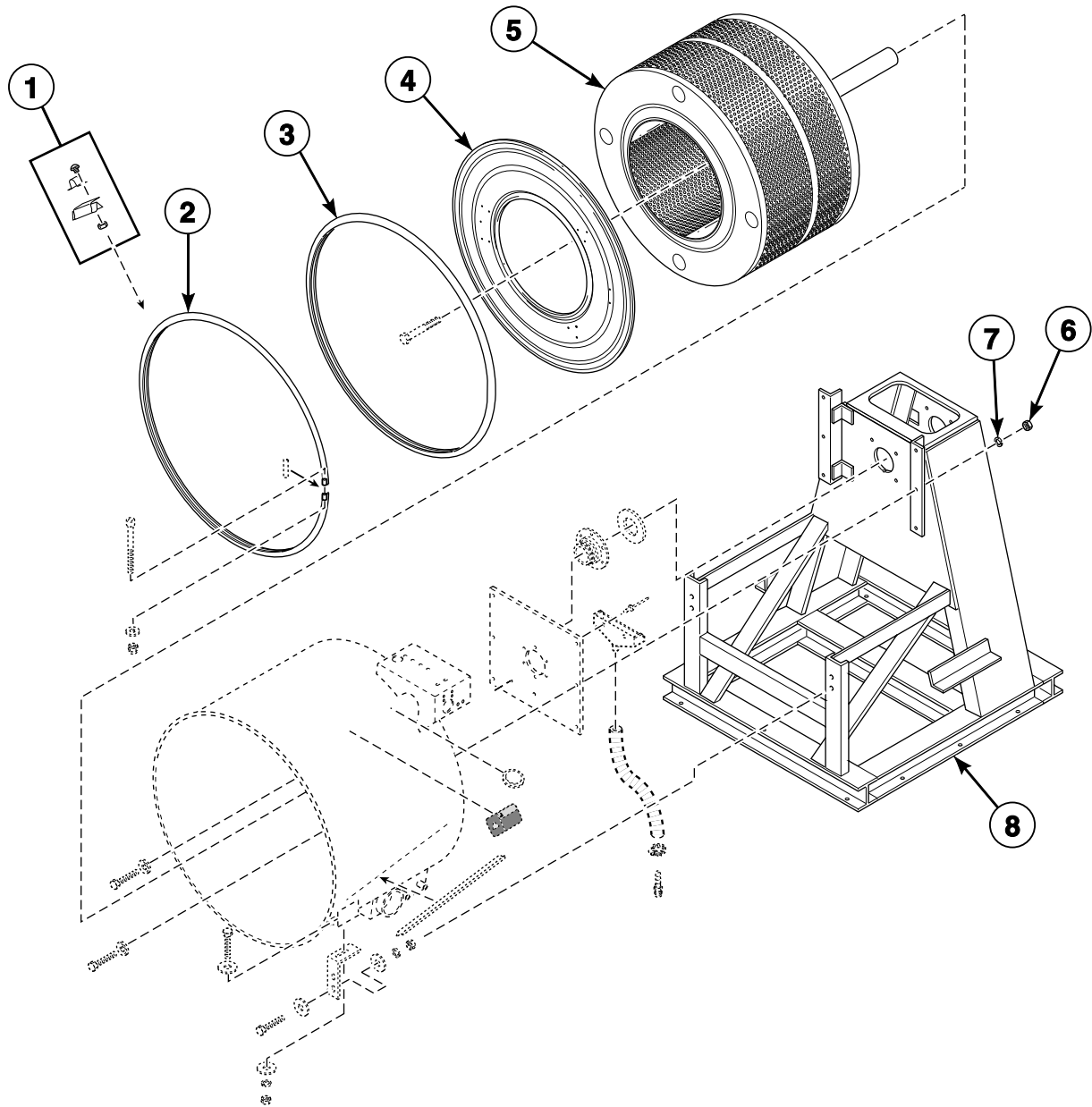
PHM2621P\_F232167

## Drain System, Overflow and Vent Pipes

REF	PART NO.	DESCRIPTION	COMMENTS
1	F200166402	Drain Valve Kit	220 Volt; Includes items 2 and 3
	F380918	Main Drive Kit	
2	F380933P	Drain Valve Motor	
3	F200133600	Drain Valve Cover	
4	F380117	Vacuum Breaker	
5	F422508	Adapter	
6	F422801	Tee	
7	N/A	Pipe	
8	F200213	Hose Clamp	No. 40
9	F150309	Soap Dispenser Hose	
10	F0602364-25	Pipe	
11	F8084201	Shell Reinforcement Plate Assembly	Includes items 12-15
12	F431210	Pop Rivet	
13	F150389	Scupper	
14	F200107P	Water Hose	
15	36801	Hose Clamp	No. 6
16	F421929	Hose Barb	
17	F200165100	Drain Hose	
18	F200201	Hose Clamp	No. 56
19	F422602	Reducer Bushing	
20	F0602365-01	Pipe	
21	F422803	Tee	
22	F0602365-22	Pipe	
23	F150438	Drain Hose	Rear
24	F150442	Drain Hose	Front

**N/A = Part no longer available**

# Basket, Shell and Frame (Drawing 1 of 2)



PHM2811P\_F232167

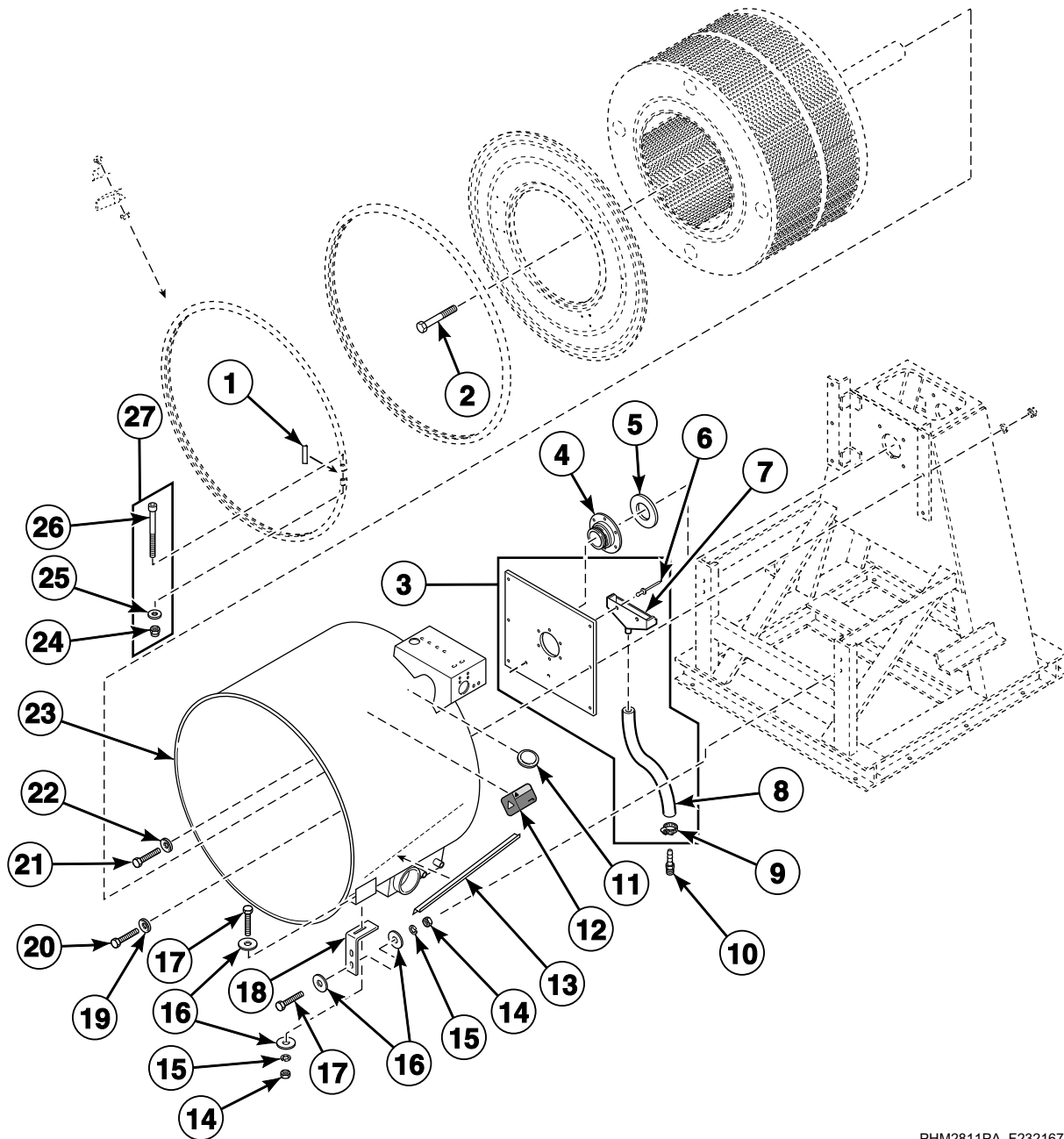


## Basket, Shell and Frame (Drawing 1 of 2)

REF	PART NO.	DESCRIPTION	COMMENTS
1	F602901P	Spray Rinse Bracket Assembly	Model UW60PV; Includes F430917 Screw and F431022 Nut
2	F603344P	Shell Band Assembly	
3	F170120RP	Shell Band Gasket	
4	F8135801P	Shell Front Weldment	
	F200119900P	Shell Front Assembly	Includes top latch bracket casting, lower door latch bracket casting, door butt, door butt shim, door latch shim, door bumper bushing and door bumper moulding
5	F632015	Basket Assembly	
6	70142	Nut	
7	M400013	Washer	
8	N/A	Frame Assembly	Model UW60PV
	F633378	Frame Assembly	Models UW60AV and UW60VV; Standard
	F633378-2	Frame Assembly	Models UW60AV and UW60VV; Close mount

**N/A = Part no longer available**

# Basket, Shell and Frame (Drawing 2 of 2)



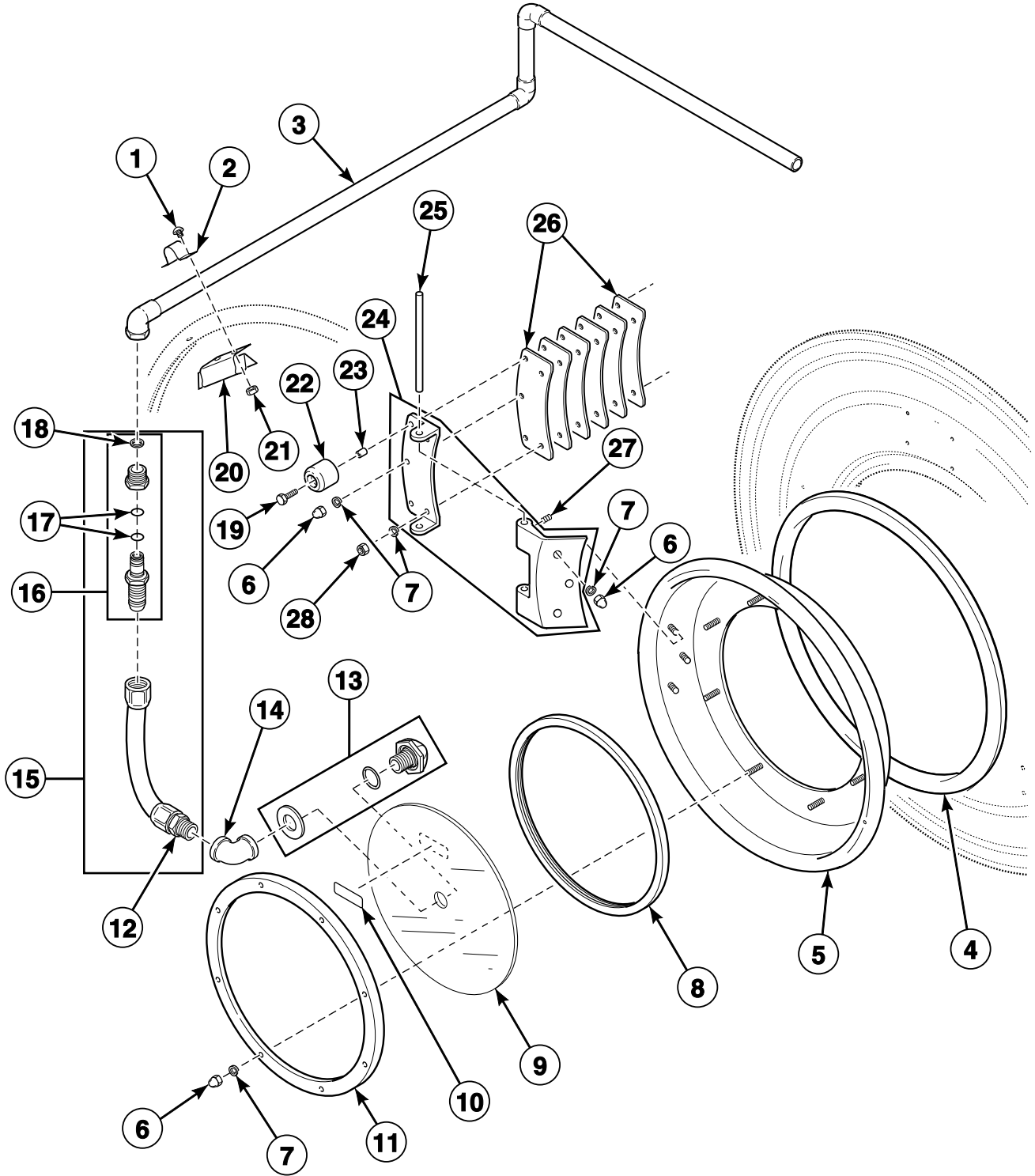
PHM2811PA\_F232167

## Basket, Shell and Frame (Drawing 2 of 2)

REF	PART NO.	DESCRIPTION	COMMENTS
1	F601216	Shell Gasket Shield	
2	N/A	Screw	
3	F8084201	Shell Reinforcement Plate Assembly	Includes items 6-9
4	F8162101	Face Seal	Standard
	F8162201	Face Seal	Viton
	F798819-00	Seal Kit	Includes items 20-22, 24-26, F170120RP Shell Band Gasket, F410102 Clear Sealant and F431210 Pop Rivet
5	F100203	Slinger	
6	F431210	Pop Rivet	
7	F150389	Scupper	
8	F200107P	Water Hose	
9	36801	Hose Clamp	No. 6
10	F421929	Hose Barb	
11	F0200237-00	Plug	Model UW60PV; Design 7 and 8
12	F0230112-00	Plug Removal Warning Decal	Model UW60PV; Design 7 and 8
13	F150364	Drip Rail	Attach with silicone
14	20274	Nut	
15	M400014	Washer	
16	M400081	Washer	
17	800461	Screw	
18	F601806	Shell Mounting Bracket	
19	F431116	Washer	
20	F430924	Screw	
21	F430935	Screw	
22	F431112	Washer	
23	F634436	Shell Weldment	Model UW60PV; Standard; Order items 11 and 12 when retrofitting onto a design 5 or design 6 model
	F0634436-01	Shell Weldment	Model UW60PV; Standard with starch; Order items 11 and 12 when retrofitting onto a design 5 or 6 model
	F0633208-01	Shell Weldment	Model UW60PV; Electric heat; Order items 11 and 12 when retrofitting onto a design 5 or 6 model
	N/A	Shell Weldment	Model UW60PV; Electric heat with starch; Order items 11 and 12 when retrofitting onto a design 5 or 6 model
	F634438	Shell Assembly	Models UW60AV and UW60VV; Standard
	F0633208-05	Shell Weldment	Models UW60AV and UW60VV; Electric heat
24	F430215	Nut	
25	F430317	Washer	
26	F430500	Screw	
27	F791001	Shell Band Fastener Kit	Includes items 24-26

**N/A = Part no longer available**

# Door and Spray Tube

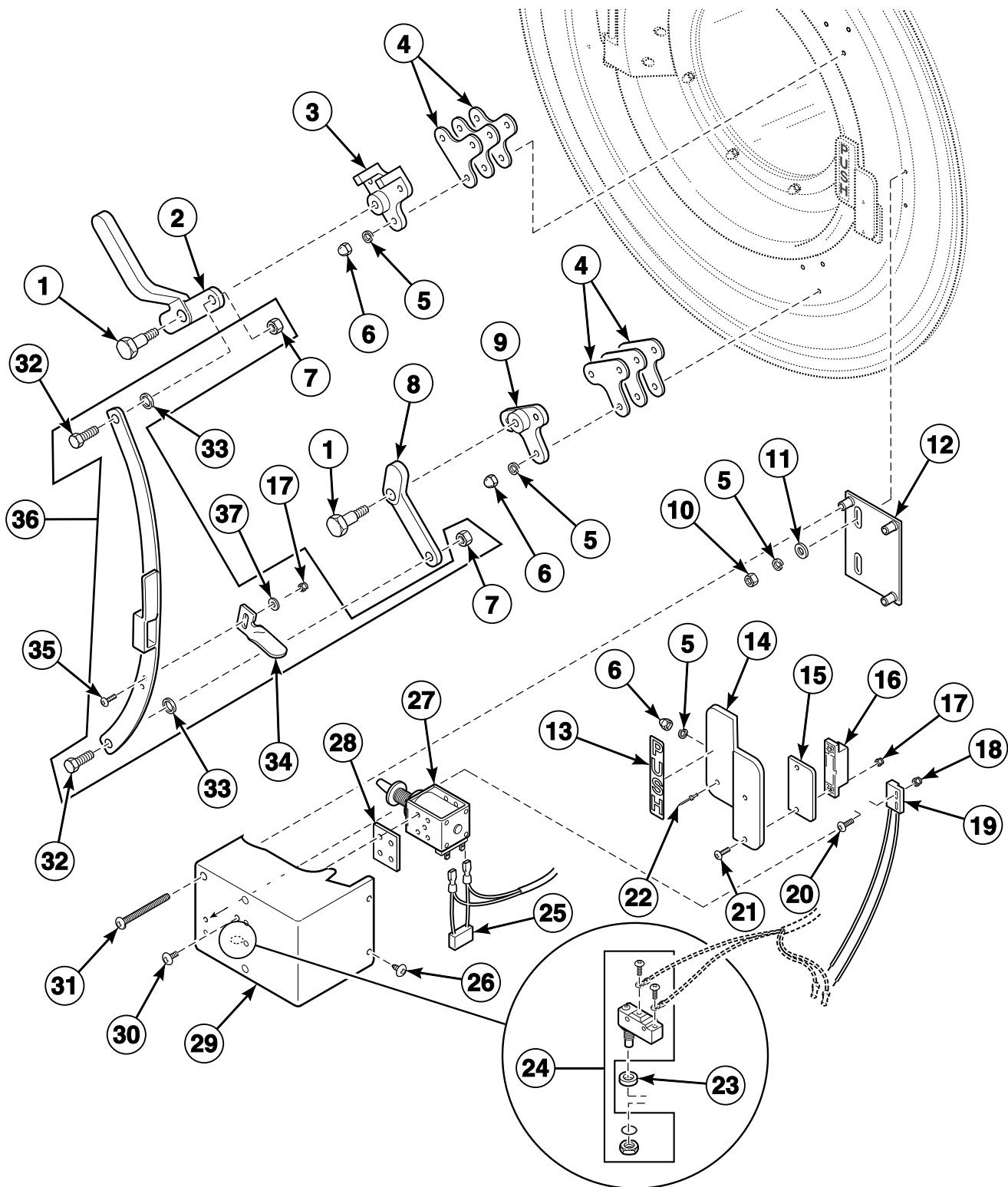


PHM2897P\_F232167

## Door and Spray Tube

REF	PART NO.	DESCRIPTION	COMMENTS
1	F430917	Screw	Model UW60PV
2	F602880	Spray Rinse Strap	Model UW60PV
3	F603696-9	Spray Rinse Tube Assembly	Model UW60PV
4	F170145	Door Gasket	Black
	F017014501	Door Gasket	Gray
5	F730307	Door Kit	Includes studs
	F730539	Door Kit	Models UW60AV and UW60VV; Includes items 2, 4, 6-9, 11, 27 and F200119700 Door Assembly
6	F431026	Nut	
7	F431100	Washer	
8	F170117	Door Glass Gasket	
9	F290200P	Door Glass Kit	Model UW60PV; With hole
	F290201P	Glass	Models UW60AV and UW60VV; Without hole
10	F230652	Clockwise Spin Rotation Decal	
11	F601239	Door Glass Retainer	
12	F422109	No-Swivel Coupling	Model UW60PV
13	F730077	Spray Rinse Nozzle Kit	Model UW60PV
14	F422319	Elbow	Model UW60PV
15	F730026	Spray Rinse Hose Assembly	Model UW60PV; Includes items 12 and 16-18
16	F422108	Swivel Coupling	Model UW60PV
17	F170200	O-Ring	Model UW60PV
18	F310206	Ring Retainer	Model UW60PV
19	F430103	Screw	
20	F602901P	Spray Rinse Bracket Assembly	Model UW60PV; Includes items 1 and 21
21	F431022	Nut	Model UW60PV
22	F150366	Door Bumper Moulding	
23	F430416	Door Bumper Bushing	
24	F200030600P	Door Hinge Strap Kit	
25	F601815	Door Hinge Pin	
26	F0610695-00	Door Butt Shim	
27	F430502	Screw	
28	20274	Nut	

# Door Lock

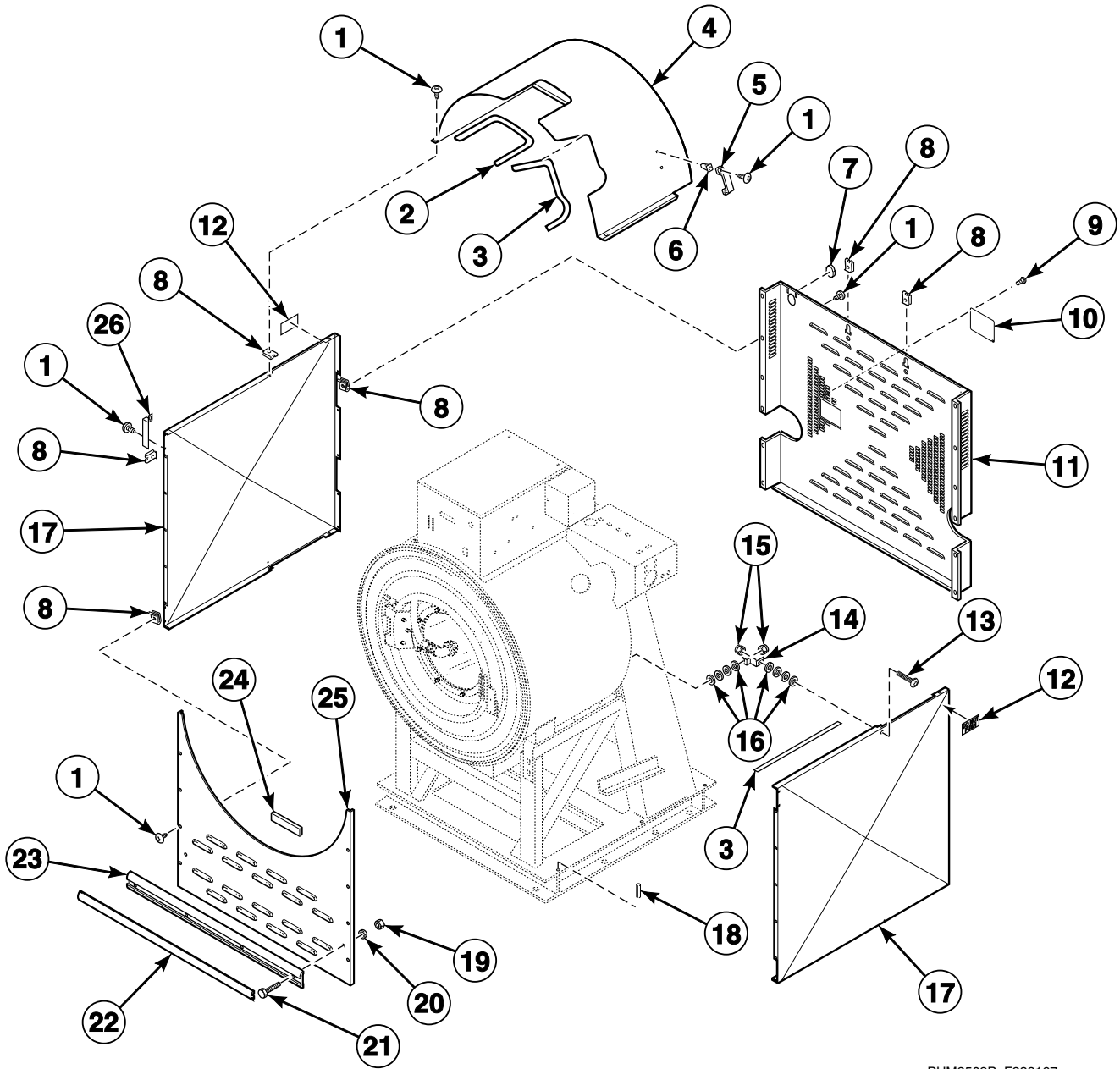


PHM2164P\_F232167

# Door Lock

REF	PART NO.	DESCRIPTION	COMMENTS
1	F430168	Screw	
2	F150203	Door Handle Casting	
3	F150201P	Top Latch Bracket Casting	
4	F602058	Door Latch Bracket Shim	
5	F431100	Washer	
6	F431026	Nut	
7	F431002	Nut	
8	F150204	Lower Door Latch Casting	
9	F150202	Lower Door Latch Bracket Casting	
10	F430215	Nut	
11	F431142	Washer	
12	F605525	Door Box Mounting Plate Assembly	
13	F230303	Push Decal	
14	F609427	Handle Weldment	
	F746201-1	Push Handle Kit	Includes items 13, 15-17 and 21
15	F609822	Handle Spacer	Optional
16	F8390801	Magnet	
17	F430231	Nut	
18	F430231	Nut	
19	F200321200	Magnetic Switch Assembly	
20	F430917	Screw	
21	F430909	Screw	
22	F431210	Pop Rivet	
23	F601055	Interlock Switch Spacer	
24	F340900	Interlock Switch	
	F340906	Microswitch	CE models; Includes rubber boot
25	F330217P	RC Network Filter	Includes F140627 Connector and F141022 Connector
26	F430956	Screw	
27	F300129P	Door Lock Solenoid	220 Volt
28	F609728	Solenoid Spacer	
29	F606630	Door Box	
	F603666P	Door Box Assembly	Includes items 18-20, 27 and 30
30	F430995	Screw	
31	F430996	Screw	
32	F430927	Screw	
33	F431118	Washer	
34	F601639	Extension Arm Tab	
35	F430916	Screw	
36	F746803	Extension Arm Kit	Includes items 7, 17, 32-35 and 37
37	F431108	Washer	

# Front, Side and Rear Panels



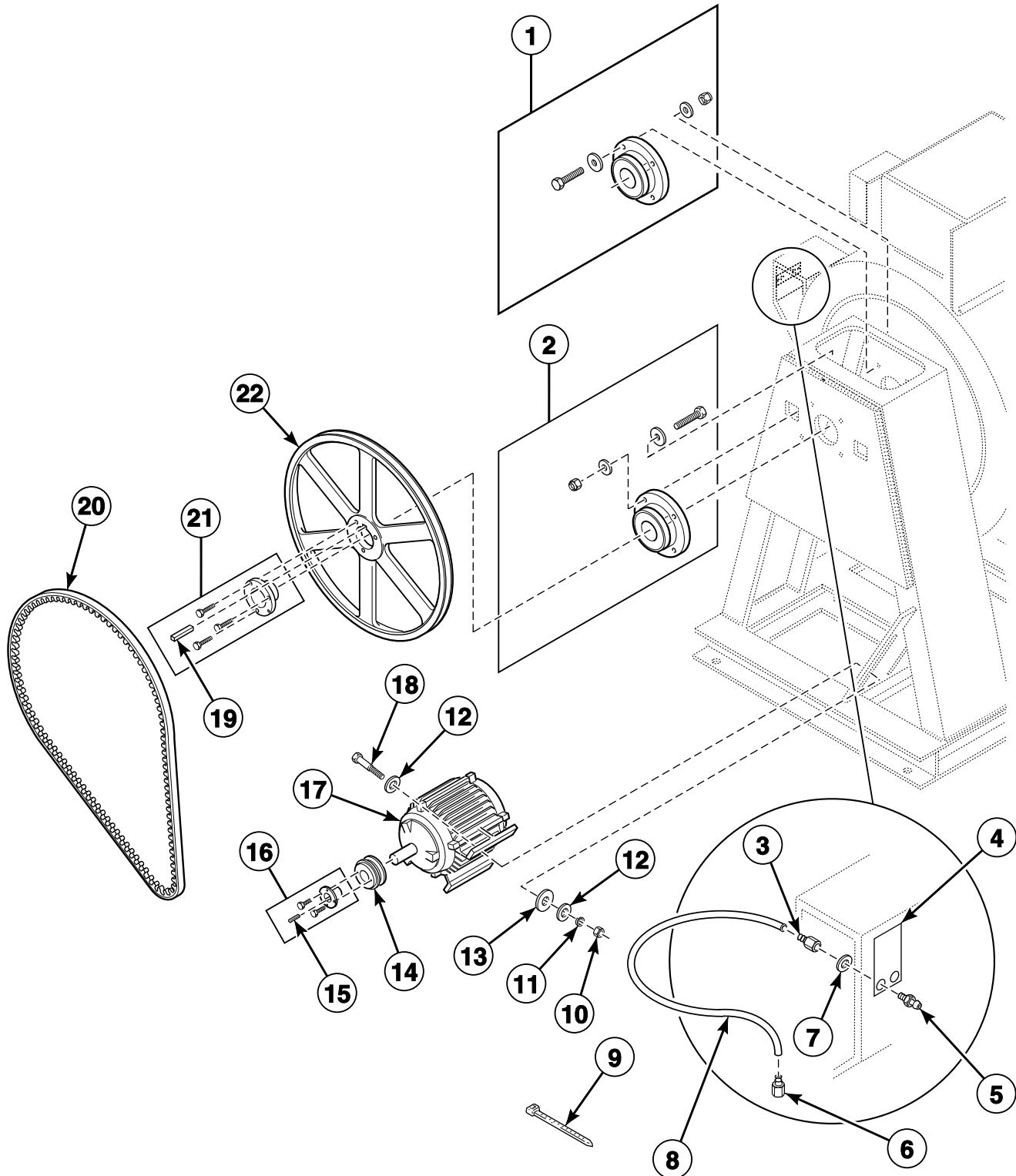
PHM2502P\_F232167



## Front, Side and Rear Panels

REF	PART NO.	DESCRIPTION	COMMENTS
1	F430956	Screw	
2	F100284	Trim Seal	Order 2 feet
3	F170400RP	Trim	
4	F635610	Cage Wrap Weldment	Includes items 1, 5 and 6
5	F605324	Hose Strap	
6	F0431807-00	Nut	Plastic insert
7	F180511	Cap Plug	
8	F430264	Nut	Tinnerman
9	70240301	Screw	
10	F200188300	Belt Inspection Port Cover	
11	F200187900P	Rear Panel	
12	F230302	Do Not Push Decal	
13	F432234	Screw	
14	F601982	Side Panel Bracket	
15	F430215	Nut	
16	F430317	Washer	
17	F635648P	Side Panel	Reversible
18	F430415	Pin	
19	F430211	Nut	
20	F431100	Washer	
21	F430921	Screw	
22	F150397	Extrusion Insert	Order 3 feet
23	F150408	Rub Rail	
24	F170110	Sponge	
25	F635649P	Front Panel	
26	F606667	Side Panel Cover	

# Motor and Pulley - Model UW60PV

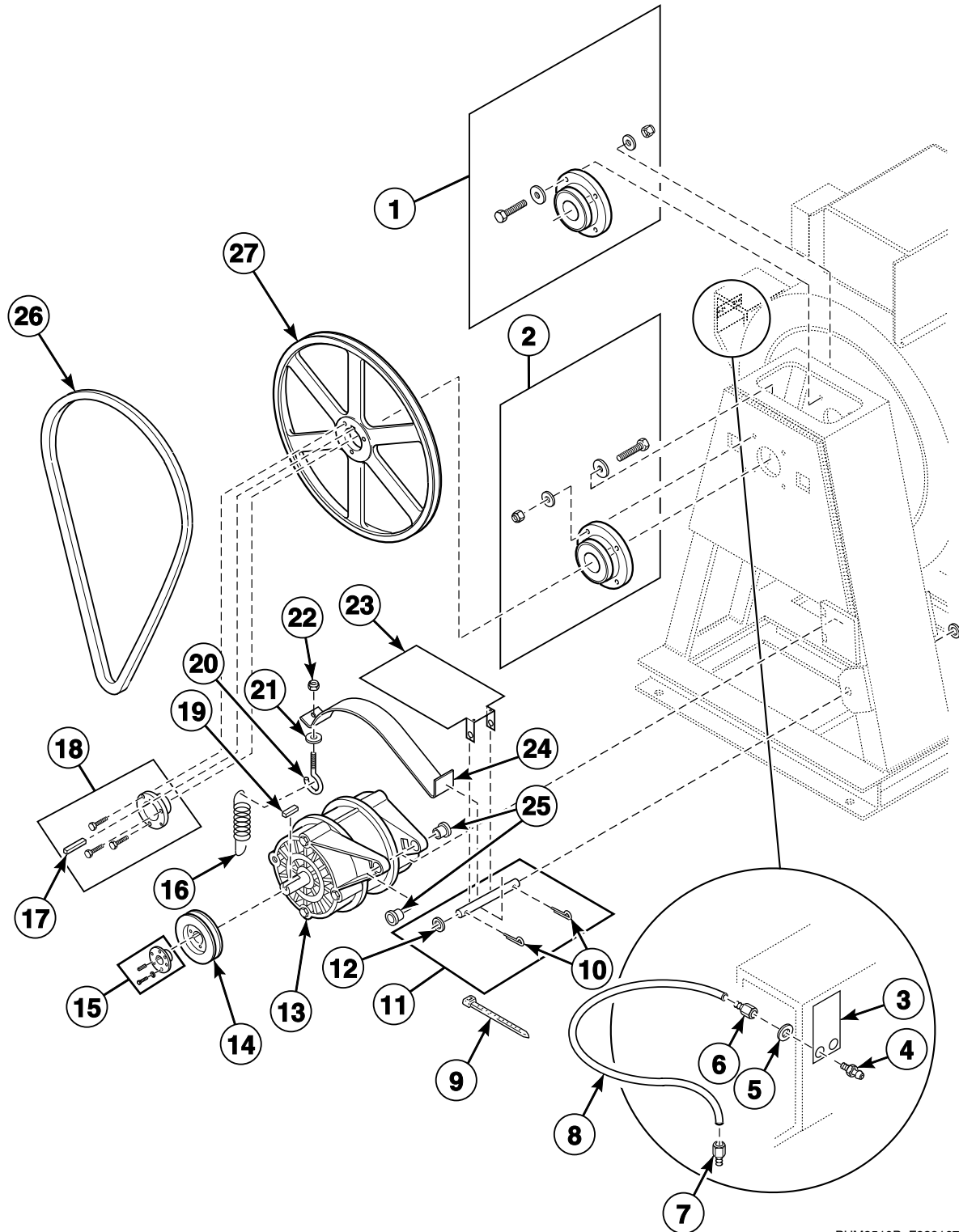


PHM2086P\_F232167

## Motor and Pulley - Model UW60PV

REF	PART NO.	DESCRIPTION	COMMENTS
1	F798824-00	Front Bearing Kit	Includes F010029701 Face Seal, F100203 Slinger, F170120R Shell Band Gasket, F170125 Shell Band Seal, F200001600 Shell Band Gasket, F410102 Clear Sealant, F430137 Screw, F430210 Nut, F430211 Nut, F430317 Washer, F430325 Washer, F430500 Screw, F430935 Screw, F431005 Nut, F431100 Washer, F431112 Washer, F431210 Pop Rivet and F704853 Key
	F100150P	Bearing	
2	F745010	Rear Bearing Kit	Includes F430136 Screw, F704854 Key, F430200 Nut and F430327 Washer
	F100150P	Bearing	
3	F422114	Air Coupling	
4	F231563	Grease Instruction Decal	
5	F190701	Grease Fitting	
6	J1408004	Connector	
7	F430332	Washer	
8	C000628P	Tubing	
9	F140605	Cable Tie	
10	20274	Nut	
11	M400014	Washer	
12	M400081	Washer	
13	F430300	Washer	
14	F280146P	Pulley	Pulley manufacturer part no. BK34H; 3.4 inch OD; 1 groove
	F280182P	Pulley	Pulley manufacturer part no. BK32H; 3.2 inch OD
15	F430802	Key	
16	F280211P	Motor Pulley Bushing	1-1/8 inch; Includes item 15
17	F220236P	Motor	Replaces motors F220214U and F220214M; AC drive parameters must be compatible with the motor and motor pulley. Please request the AC drive parameter illustration for parameter verification when ordering a motor.
18	F430993	Screw	
19	F430803	Key	
20	F280353	Belt	BX96
21	F280409P	Bushing	2-7/16 inch; Includes item 19
22	F280410	Pulley	IB255K

# Motor and Pulley - Models UW60AV and UW60VV

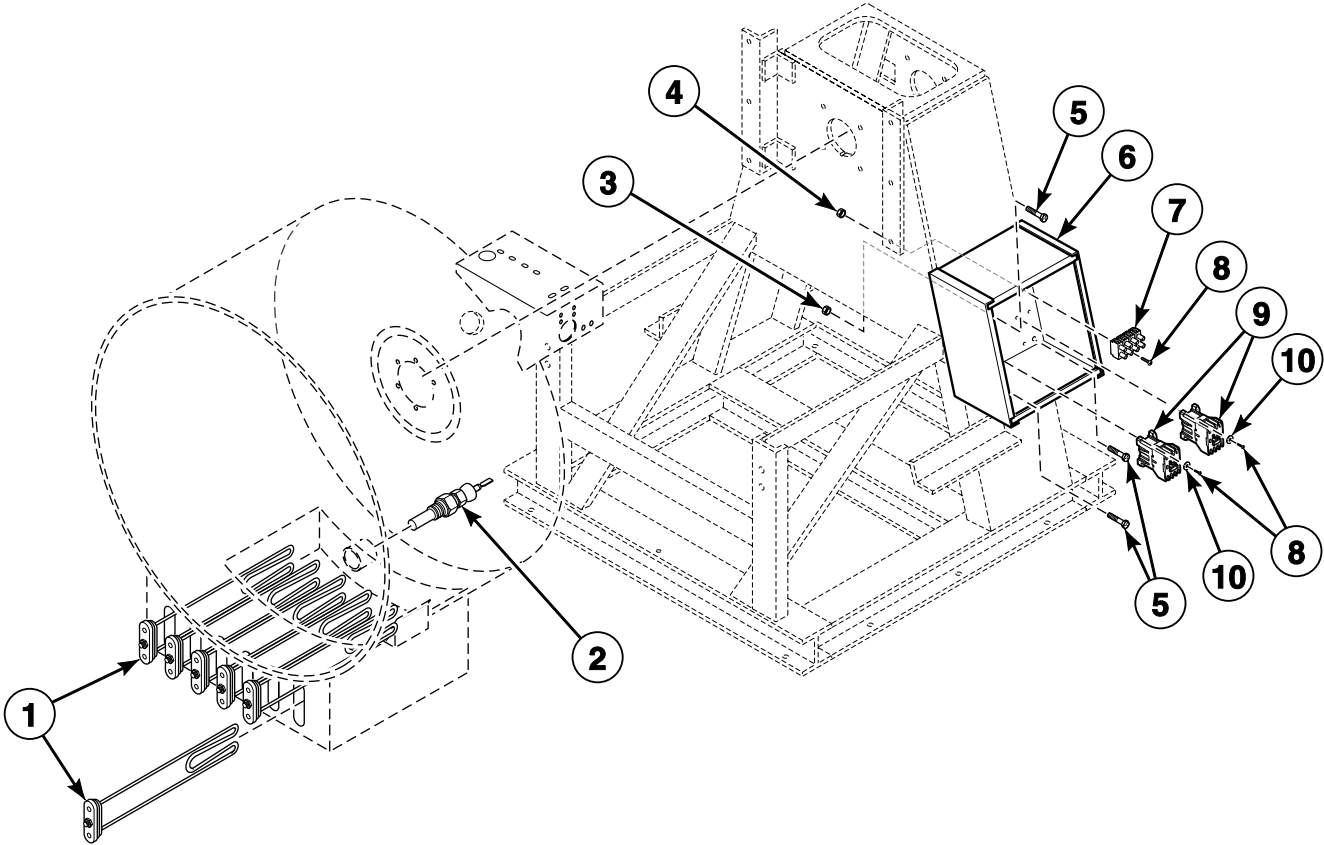


PHM2510P\_F232167

## Motor and Pulley - Models UW60AV and UW60VV

REF	PART NO.	DESCRIPTION	COMMENTS
1	F798824-00	Front Bearing Kit	Includes F170120 Shell Band Gasket, F410102 Clear Sealant, F170125 Shell Band Seal, F010029701 Face Seal, F100150 Bearing, F100203 Slinger, F430137 Screw, F430201 Nut, F430211 Nut, F430317 Washer, F430325 Washer, F430500 Screw, F430935 Screw, F431005 Nut, F431100 Washer, F431112 Washer, F431210 Pop Rivet and F704853 Key
2	F745010	Rear Bearing Kit	Includes hardware
3	F231563	Grease Instruction Decal	
4	F190701	Grease Fitting	
5	F430332	Washer	
6	F422114	Air Coupling	
7	J1408004	Connector	
8	C000628P	Tubing	
9	F140605	Cable Tie	6 inch
10	F430401	Cotter Pin	
11	F730076	Motor Support Rod Kit	Includes items 10 and 12
12	F430325	Washer	
13	F8329201P	Motor Conversion Kit	208-240 Volt or 440-480 Volt/3 Phase; Includes item 25
14	F0280384-00	Motor Pulley	Poly-V
15	F280209	Motor Pulley Bushing	G 7/8; Includes screws, washers and key
16	F310127	Spring	
17	F430801	Key	
18	F280409P	Bushing	2-7/16; Maska
19	F430802	Key	
20	F0430720-00	Bolt	
21	M400080	Washer	
22	F430233	Nut	
23	F200216900	Motor Drip Shield	
24	F602166	Motor Adjustment Strap	
25	F200186100	Motor Support Bushing	Nylon
26	F0280381-00P	Belt	Poly-V; 10 groove; 980J10-KR150
27	F0280288-01	Basket Pulley	Poly-V; Flat; 2 7/16 hub; 24 inch

# Electric Heat Option

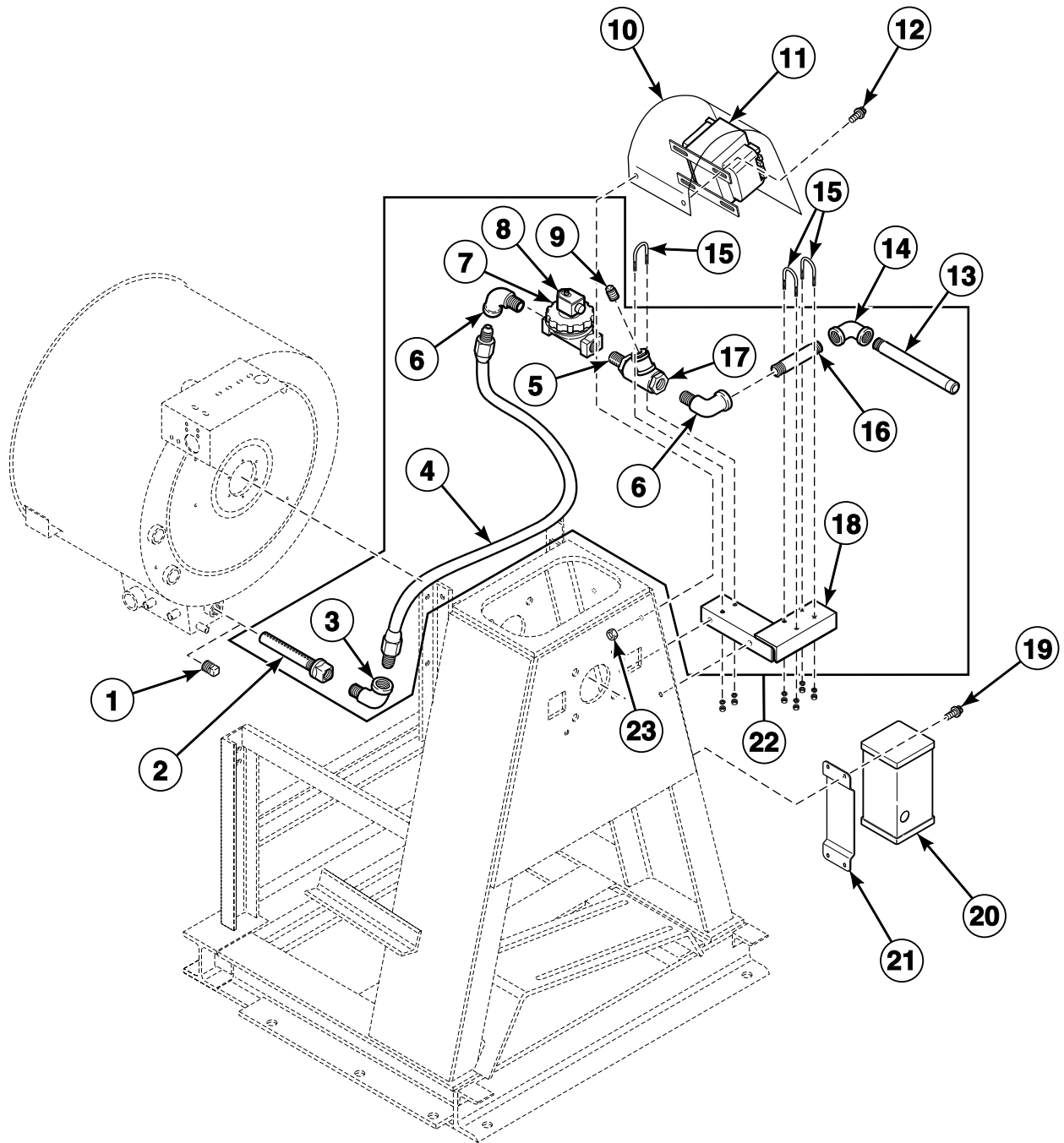


PHM2087P\_F232167

# Electric Heat Option

REF	PART NO.	DESCRIPTION	COMMENTS
1	F360203P	Heating Element	6 required
2	F370606P	Temperature Probe	
3	F430215	Nut	
4	F430231	Nut	
5	F430938	Screw	
6	F140413	Box	
7	F140747	Input Power Block	N and P-voltage
	M413865	Terminal Block	Q-voltage
8	F430107	Screw	
9	F330188P	Contactor	220 Volt
10	F430311	Washer	

# Steam Heat Option and Transformers



PHM2816P\_F232167

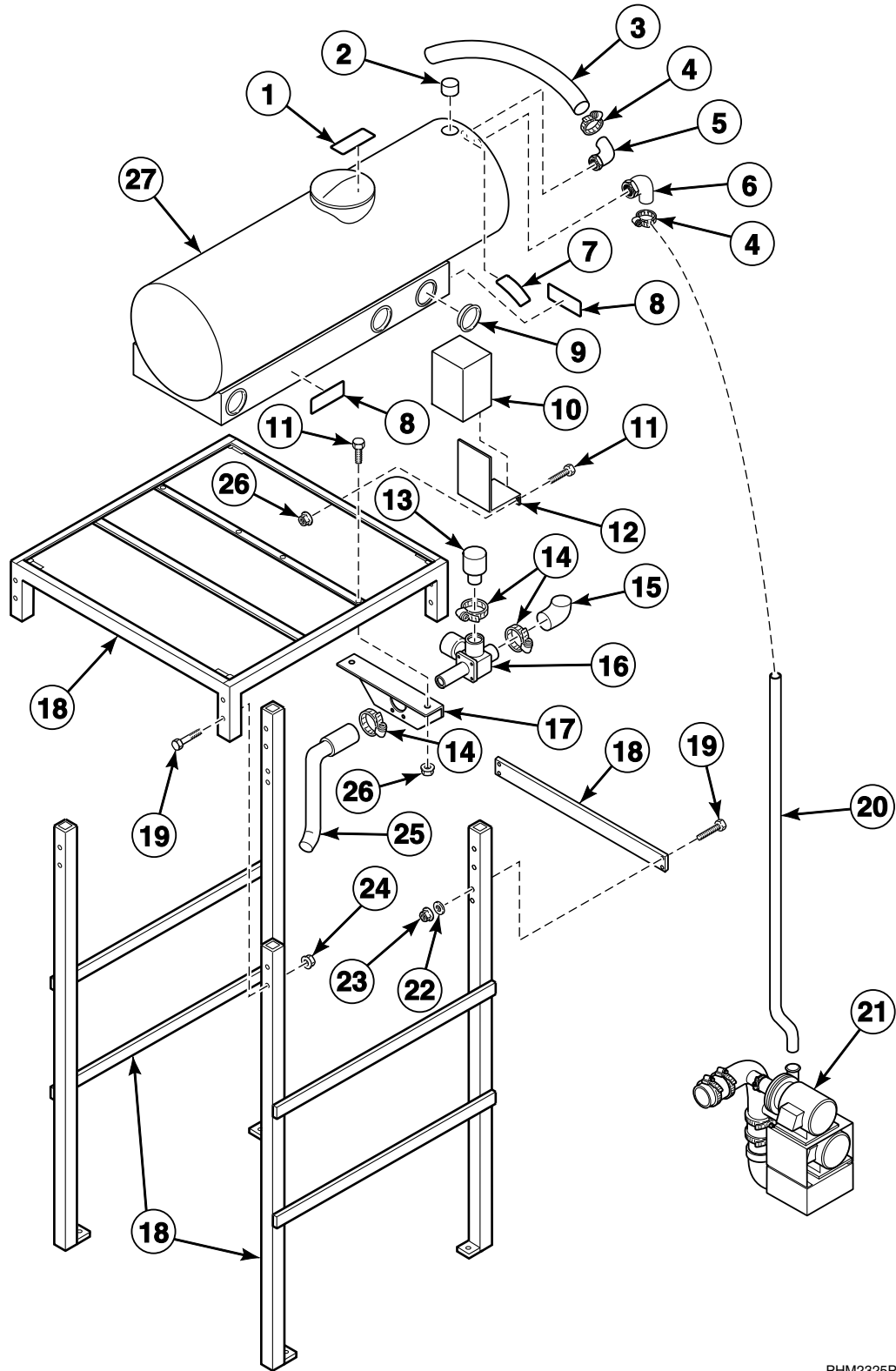


## Steam Heat Option and Transformers

REF	PART NO.	DESCRIPTION	COMMENTS
	F410300	Pipe Insulation	
1	F200202600	Plug	
2	F603131	Steam Injector Tube Assembly	
3	F421703	Street Elbow	
4	F200517	Steam Hose	
5	F420708	Nipple	
6	H86070034	Street Elbow	
7	F380787P	Steam Valve	1/2 inch; 220 Volt; F380984P Steam Valve Repair Kit
8	F300126P	Solenoid	220 Volt
9	F420409	Plug	
10	F140425	Control Transformer Cover	
11	F360156P	Transformer	N and P-voltage
12	F430935	Screw	
13	N/A	Nipple	
14	70079601	Elbow	
15	F200401P	U-Bolt Clamp	Includes washers and nuts
16	F420710	Nipple	
17	F270307	Steam Filter	1/2 inch
18	F635634	Steam Bracket Weldment	
19	F430104	Screw	
20	F200031000	Transformer	Buckboost; N-voltage; 2 per machine
21	N/A	Transformer Adapter Plate	N-voltage
22	F635653P	Steam Plumbing Assembly	220 Volt; Includes items 2-9, 13, 14, 16-18 and F410300 Pipe Insulation
23	F430215	Nut	

**N/A = Part no longer available**

# Water-Saving System Main View - Design 5 and 6 UW60PV Models



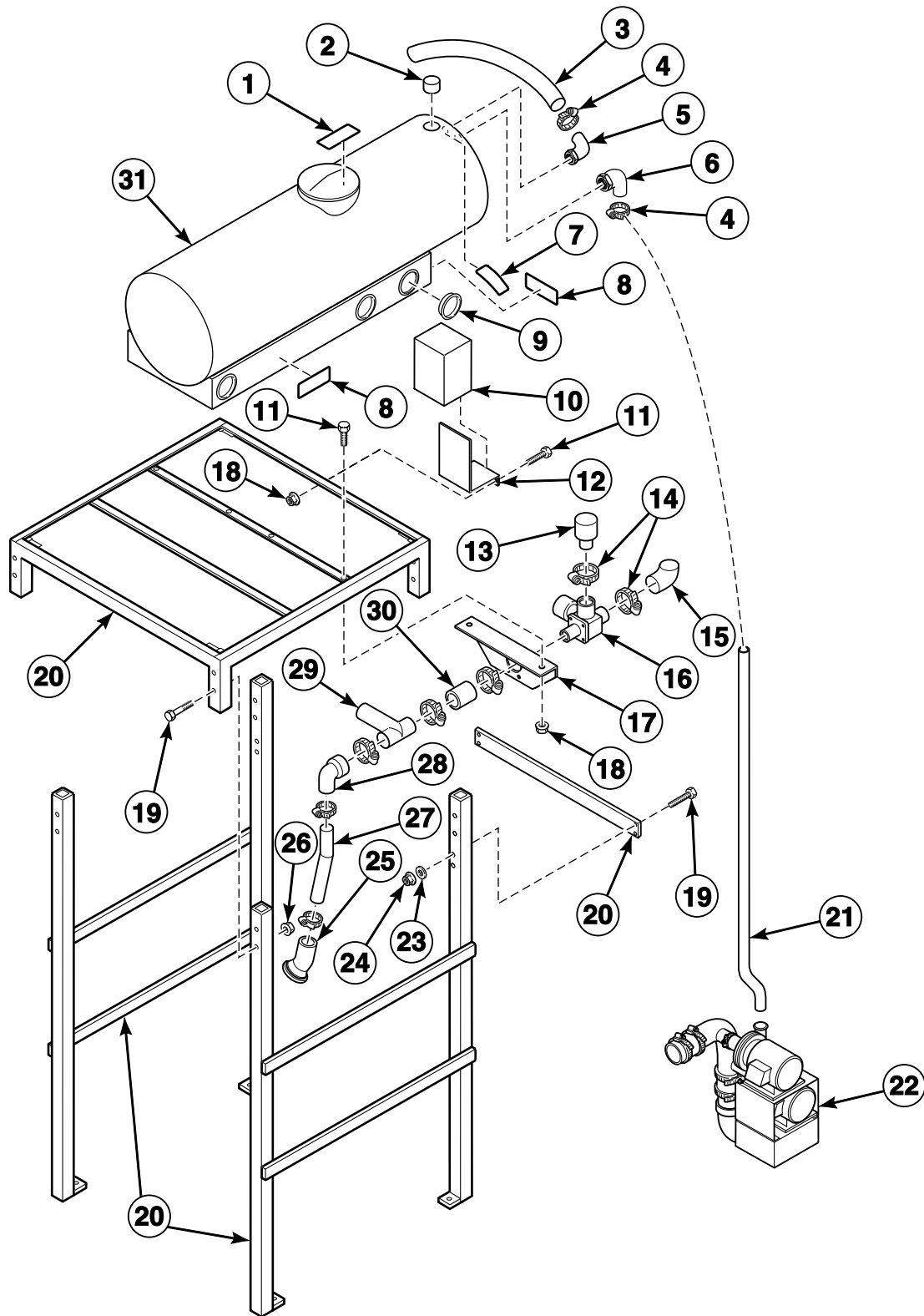
PHM2325P\_F232167

## Water-Saving System Main View - Design 5 and 6 UW60PV Models

REF	PART NO.	DESCRIPTION	COMMENTS
1	F231420	Top Cover Caution Decal	
2	F380117	Vacuum Breaker	
3	F150484	Reuse Overflow Hose	
4	F200215	Hose Clamp	No. 28
5	N/A	Elbow	
6	N/A	Elbow	
7	F231419	Do Not Obstruct Decal	
8	F231418	Do Not Climb Caution Decal	
9	N/A	Cap Plug	
10	N/A	Control Module Sub-Assembly	120 Volt
	N/A	Control Module Sub-Assembly	220 Volt
11	M400056	Screw	
12	F634191	Reuse Control Enclosure Mounting Bracket	
13	F422520	Reuse Drain Reducer	
14	F200213	Hose Clamp	No. 40
15	F422914	Reuse Drain Elbow	
16	F380635P	Reuse Drain Valve	
17	F634172	Drain Valve Bracket	
18	F634413	Reuse Frame Assembly	
19	F430996	Screw	
20	F200505	Reuse Inlet Hose	
21	F634674	Pump Sub-Assembly	
22	F431100	Washer	
23	F431026	Nut	
24	F430239	Nut	
25	F0637929-01	Tank Drain Sub-Assembly	
26	F430233	Nut	
27	F191008	Reuse Tank	

N/A = Part no longer available

# Water-Saving System Main View - Design 7 and 8 UW60PV Models



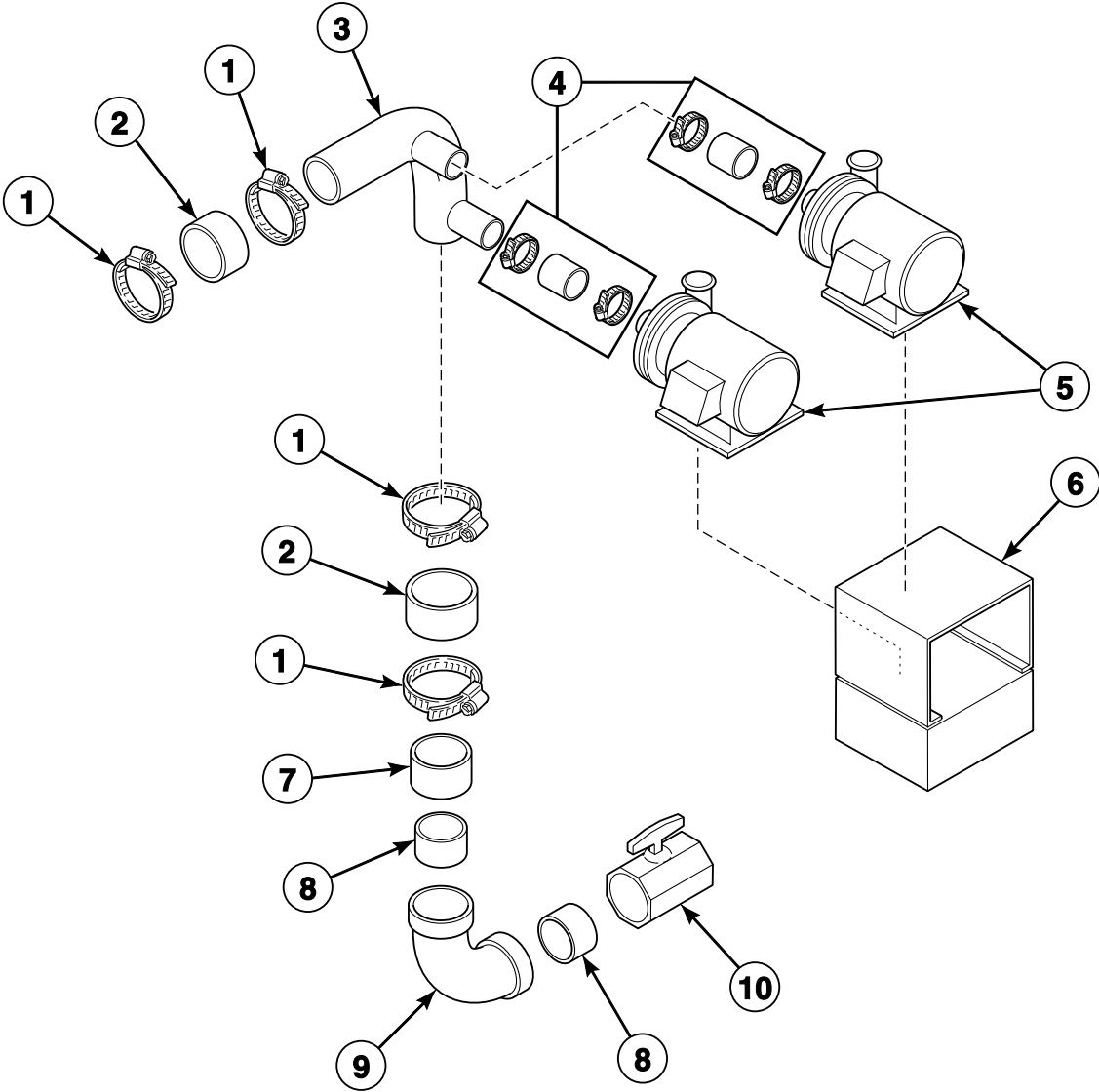
PHM2458P\_F232167

## Water-Saving System Main View - Design 7 and 8 UW60PV Models

REF	PART NO.	DESCRIPTION	COMMENTS
1	F231420	Top Cover Caution Decal	
2	F380117	Vacuum Breaker	
3	F150484	Reuse Overflow Hose	
4	F200215	Hose Clamp	No. 28
5	N/A	Elbow	
6	N/A	Elbow	
7	F231419	Do Not Obstruct Decal	
8	F231418	Do Not Climb Caution Decal	
9	N/A	Cap Plug	
10	N/A	Control Module Sub-Assembly	120 Volt
	N/A	Control Module Sub-Assembly	220 Volt
11	M400056	Screw	
12	F634191	Reuse Control Enclosure Mounting Bracket	
13	F422520	Reuse Drain Reducer	
14	F200213	Hose Clamp	No. 40
15	F422914	Reuse Drain Elbow	
16	F380635P	Reuse Drain Valve	
17	F634172	Drain Valve Bracket	
18	F430233	Nut	
19	F430996	Screw	
20	F634413	Reuse Frame Assembly	
21	F200505	Reuse Inlet Hose	
22	F634674	Pump Sub-Assembly	
23	F431100	Washer	
24	F431026	Nut	
25	F0637735-01	Water Reuse Hose	
26	F430239	Nut	
27	F0637736-00	Reuse Hose Adapter Weldment	
28	F0150486-01	Reuse Drain Hose	
29	F0634404-01	Water Reuse Tee Weldment	
30	F0200505-02	Reuse Inlet Hose	
31	F191008	Reuse Tank	

N/A = Part no longer available

# Water-Saving System Pump Sub-Assembly - Model UW60PV

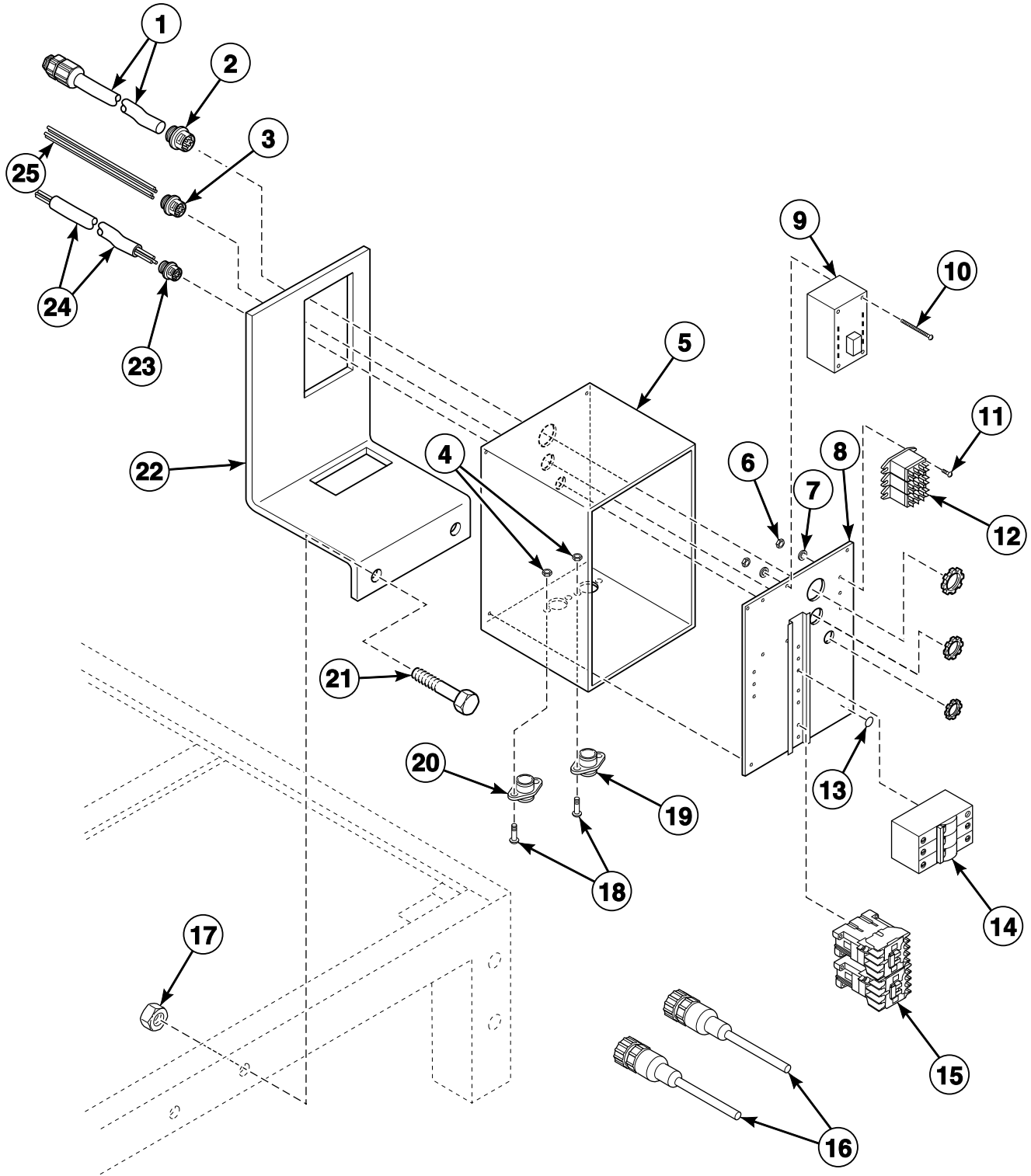


PHM789B\_F232167

# Water-Saving System Pump Sub-Assembly - Model UW60PV

REF	PART NO.	DESCRIPTION	COMMENTS
1	F200201	Hose Clamp	No. 56
2	F150442	Drain Hose	
3	F250707	Reuse Pump Manifold	
4	F422515	Tube Connector	
5	F270102P	Pump	
6	F634267	Reuse Pump Platform Assembly	
7	F150308	Overflow Hose	
8	F0602364-04	Pipe	
9	F422900	Elbow	
10	F380634	Ball Valve	

# Water-Saving System Control Module Sub-Assembly - Model UW60PV



PHM2698P\_F232167

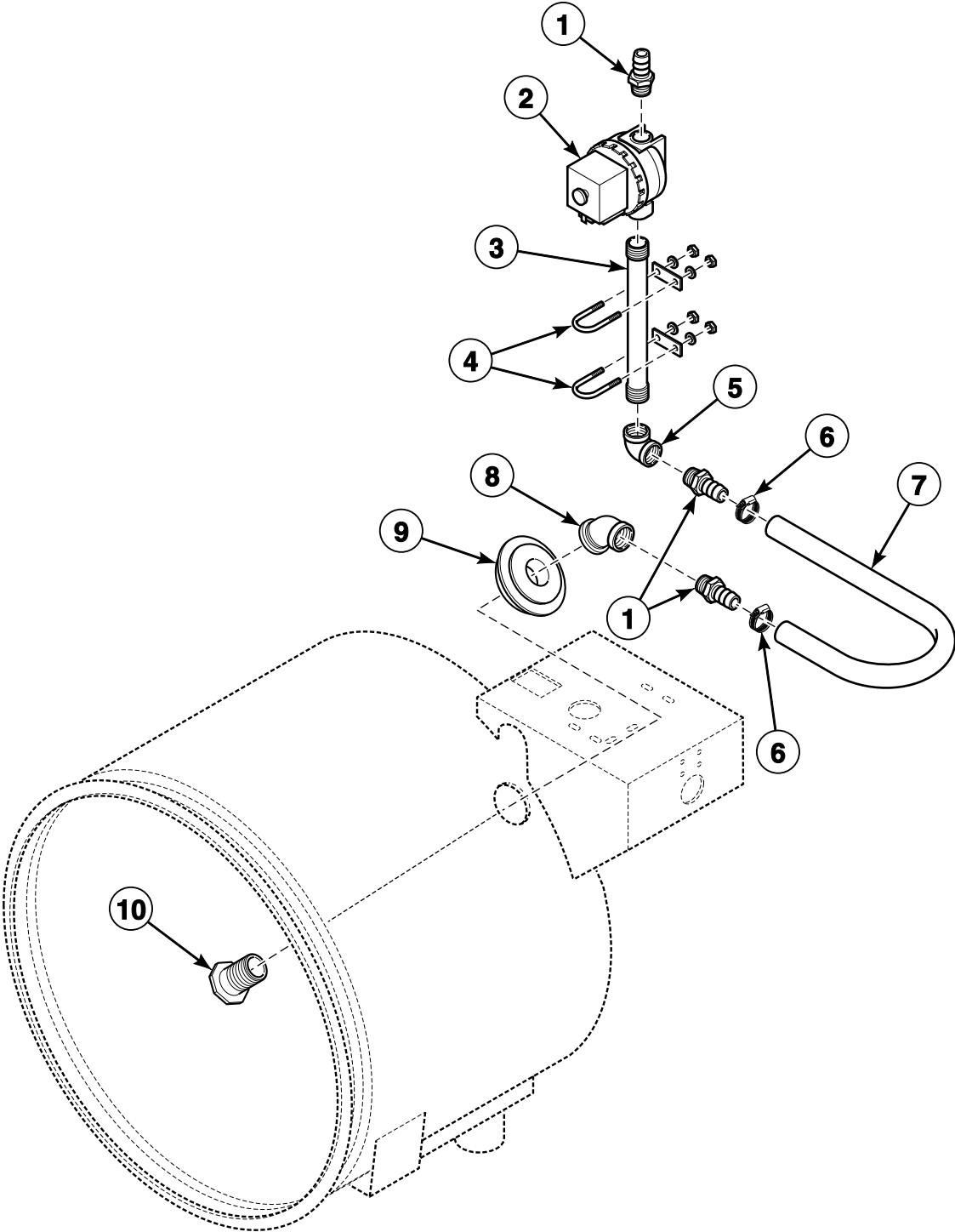


## Water-Saving System Control Module Sub-Assembly - Model UW60PV

REF	PART NO.	DESCRIPTION	COMMENTS
1	N/A	Reuse Control Cable Assembly	
2	F140331	Strain Relief Connector	Includes nut
3	F140328	Strain Relief Connector	Includes nut
4	F430231	Nut	
5	F140432	Box	
6	F431022	Nut	
7	F431113	Washer	
8	F634278	Control Panel Sub-Assembly	
9	F370438P	Relay CCA	
10	F430910	Screw	
11	F430916	Screw	
12	F0330289-00	Flange Mount Relay	9 vdc
13	F230739	Ground Decal	
14	F350207P	Circuit Breaker	
15	F330177P	Contactor	
16	F140254	Reuse Pump Motor Cable Assembly	B
	F140255	Reuse Pump Motor Cable Assembly	A
17	F430233	Nut	
18	F430928	Screw	
19	N/A	Pump A Harness Assembly	
20	F141876	Pump B Harness Assembly	
21	M400056	Screw	
22	F634191	Reuse Control Enclosure Mounting Bracket	
23	F140330	Strain Relief Connector	Includes nut
24	F140245	Cable	
25	45257	14 Gauge Wire	Order 15 feet; Gray
	N/A	14 Gauge Wire	Order 5 feet; Green/yellow

**N/A = Part no longer available**

# Auxiliary Water Reuse Inlet - Model UW60PV

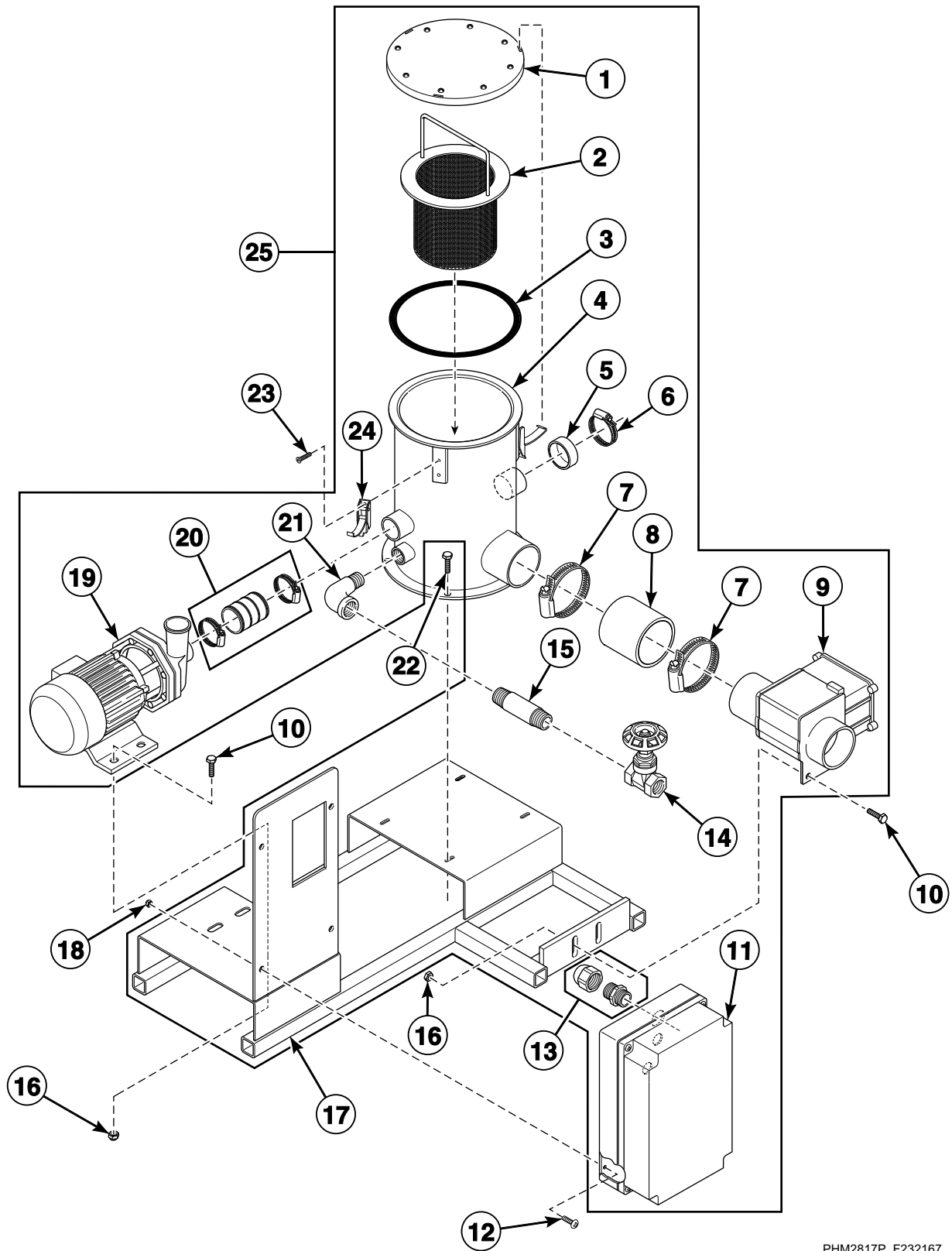


PHM2339P\_F232167

## Auxiliary Water Reuse Inlet - Model UW60PV

REF	PART NO.	DESCRIPTION	COMMENTS
	F200099900	Auxiliary Water Reuse Inlet	Includes all items on this page
	F200096900	Extra Inlet Assembly	Includes items 1, 5, 9 and 10
<b>1</b>	F421951	Hose Barb	
<b>2</b>	F381701P	Valve	3/4 inch
<b>3</b>	F0421970-00	Nipple	
<b>4</b>	F200401P	U-Bolt Clamp	
<b>5</b>	F422314	Elbow	
<b>6</b>	F200222	Hose Clamp	No. 12
<b>7</b>	F200104P	Hose	
<b>8</b>	F422314	Elbow	
<b>9</b>	F200098900	Wet-Clean Inlet Grommet	
<b>10</b>	F200096800	Inlet Compression Weldment	

# Wet-Clean Assembly Main View - Model UW60PV



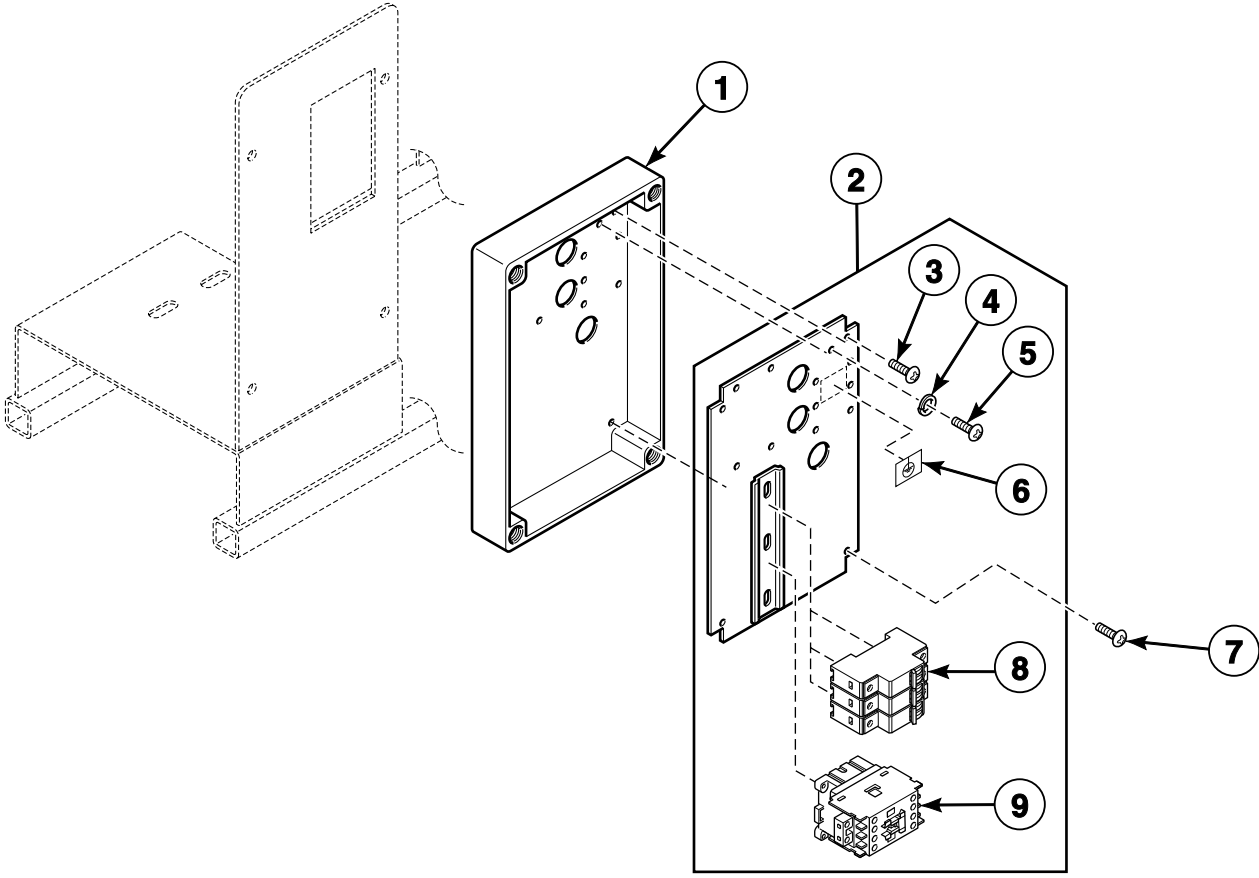
PHM2817P\_F232167

## Wet-Clean Assembly Main View - Model UW60PV

REF	PART NO.	DESCRIPTION	COMMENTS
1	F630300	Cover Assembly	
2	F630298	Filter Basket Weldment	
3	F170218	Canister Cover O-Ring	
4	F632355	Drain Canister Weldment	
5	F150352	Overflow Plug	
6	F200215	Hose Clamp	No. 28
7	N/A	Hose Clamp	No. 48
8	F150442	Drain Hose	
9	F380636	Ball Valve	
10	F430939	Screw	
11	F635664	Control Module Sub-Assembly	
12	F430932	Screw	
13	F140329	Strain Relief Connector	PG13
14	F380500	Gate Valve	
15	F421915	Nipple	
16	F431024	Nut	
17	F632693-2	Canister Stand Weldment	
18	F430232	Nut	
19	F270102P	Pump	
20	F422515	Tube Connector	
21	F422304	Street Elbow	
22	F430923	Screw	
23	F430903	Screw	
24	F432201	Draw Latch	
25	N/A	Wet-Clean Canister Stand Assembly	Includes items 1-9, 11, 13-15, 17, 19-21 and 24

**N/A = Part no longer available**

# Wet-Clean Assembly Control Module - Model UW60PV



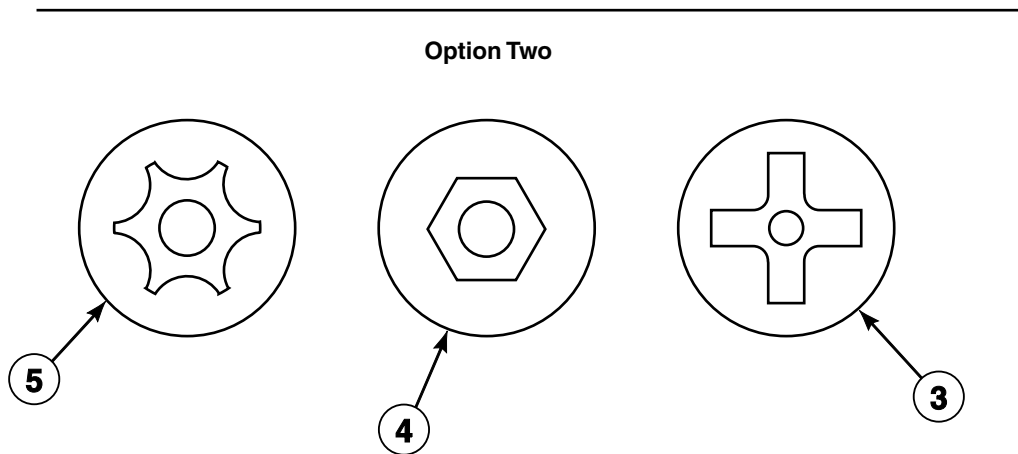
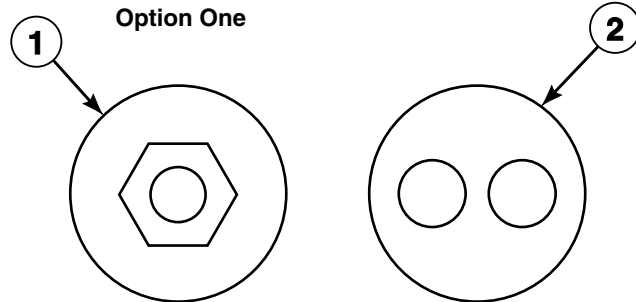
PHM2818P\_F232167

# Wet-Clean Assembly Control Module - Model UW60PV

REF	PART NO.	DESCRIPTION	COMMENTS
1	F140432	Box	Includes items 3 and 7
2	F634278	Control Panel Sub-Assembly	Includes items 4-6, 8 and 9
3	N/A	Screw	
4	N/A	Washer	
5	F430928	Screw	
6	F230739	Ground Decal	
7	N/A	Screw	
8	F350207P	Circuit Breaker	
9	F330177P	Contactator	

N/A = Part no longer available

# Security Fasteners



PHM2181P\_F232167

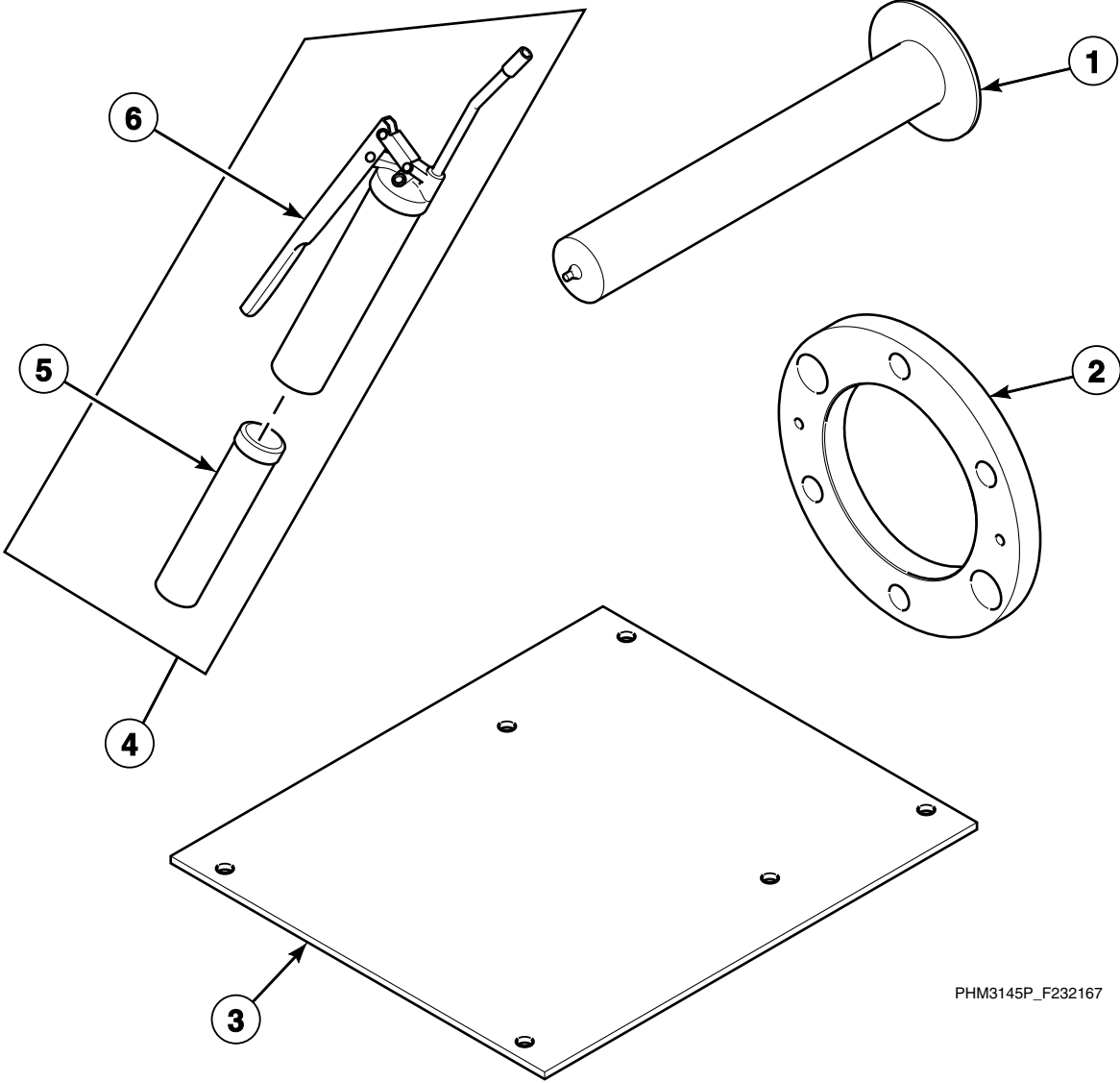


# Security Fasteners

REF	PART NO.	DESCRIPTION	COMMENTS
1	F0430275-00	Screw	No. 8; 32 x 1/2 inch; Used in place of F430956 Screw; Typical location is the side panels and module cover
	F430960	Screw	No. 10; 32 x 3/8 inch; Used in place of F430904 Screw; Typical location is the module to the shell
	F704906	Hex Bit	
2	F0430273-00	Screw	1/4 inch; 20 x 2-1/2 inch; Used in place of F430996 Screw; Typical location is the door box to the bracket
	F0430272-00	Screw	1/4 inch; 20 x 1-1/2 inch; Used in place of F430921 Screw; Typical location is the side panel to the bracket
	F0430274-00	Screw	1/4 inch; 20 x 1/2 inch; Used in place of F430925 Screw; Typical location is the drive box or the cover
	F704907	Spanner Bit	
3	F432260	Screw	1/4 inch; 20 x 2-1/2 inch; Used in place of F430996 Screw; Typical location is the door box to the bracket
	N/A	Phillips Bit	
4	N/A	Screw	1/4 inch; 20 x 1/2 inch; Used in place of F430925 Screw; Typical location is the drive box or cover
	N/A	Hex Bit	
5	F432259	Screw	No. 8; 32 x 1/2 inch; Used in place of F430956 Screw; Typical location is the side panels and module cover
	281P4	Torx Bit	

**N/A = Part no longer available**

# Special Tools

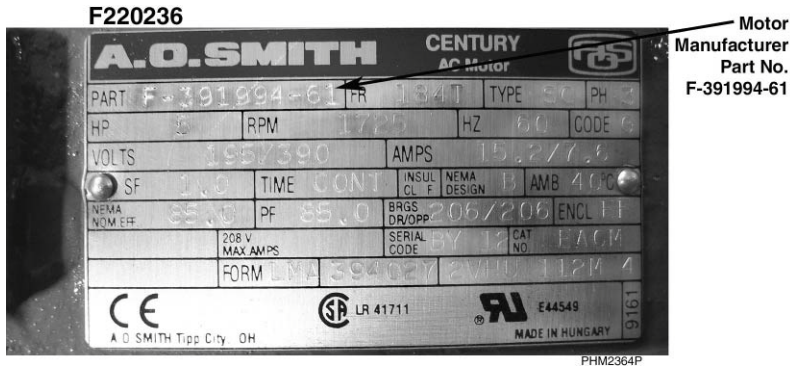


PHM3145P\_F232167

## Special Tools

REF	PART NO.	DESCRIPTION	COMMENTS
	F370851P	HIM Drive	Used with Allen-Bradley 160-series A and B inverter drives
	F798751	HIM Drive	Used with Allen-Bradley 160-series A, B and C inverter drives
	F730055-1	Mounting Bolt Kit	
	F798770	Rebar Frame Kit	Order with equipment
<b>1</b>	F633426	Alignment Shaft Assembly	
<b>2</b>	F0100312-00	Shaft Seal Alignment Fixture	
<b>3</b>	F602941	Rebar Frame Template	
<b>4</b>	F798700	Grease Gun Kit	Includes items 5 and 6
<b>5</b>	F210206P	Bearing Grease	
<b>6</b>	F210207P	Grease Gun	

# Motor Manufacturer Part Number Location on the Motor's Nameplate



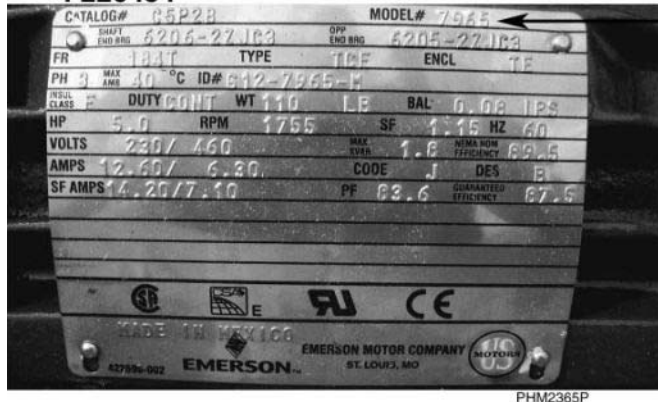
# Motor Manufacturer Part Number Location on the Motor's Nameplate

## F220214 Premium Efficiency



Motor  
Manufacturer  
Part No.  
H309 OR A431

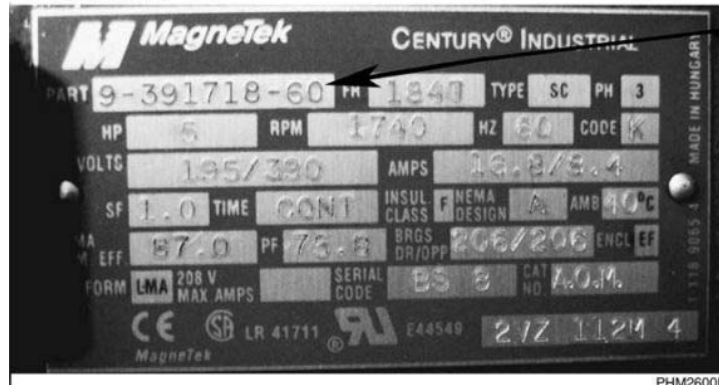
## F220434



Motor  
Manufacturer  
Part No.  
7965

# Motor Manufacturer Part Number Location on the Motor's Nameplate

F220214M



Motor  
Manufacturer  
Part No.  
9-391718-60

# Parts Index

## A

AC Drive Kit, 160-Series	
F0370853-781 .....	31
F0370853-791 .....	29
F0370853-792 .....	29
F0370853-793 .....	29
F0370853-801 .....	29
F0370854-STK .....	31
F0370854-791 .....	31
F0370854-792 .....	31
F0370854-794 .....	31
F0370854-801 .....	31
AC Drive Partition	
F635366 .....	17, 19
AC Drive Partition Assembly	
F0637753-00 .....	15
AC Drive Radio Filter Assembly	
F200320900 .....	23, 29, 31, 33
AC Drive Resistor Assembly	
F8079901P .....	25
F8080001P .....	25
Adapter	
F422508 .....	53
F8265701 .....	45, 47, 49, 51
Air Coupling	
F422114 .....	65, 67
Air Flow Ramp Assembly	
F0637748-00 .....	15, 17, 19
Air Trap Hose	
F200142 .....	27
Alignment Shaft Assembly	
F633426 .....	89
Auxiliary Water Reuse Inlet	
F200099900 .....	81

## B

Balance Switch Bracket	
F601750 .....	35
F8124301 .....	35
Ball Valve	
F380634 .....	77
F380636 .....	83
Basket Assembly	
F632015 .....	55
Basket Pulley	
F0280288-01 .....	67
Battery	
F191101 .....	15
Bearing	
F100150P .....	65
Bearing Grease	
F210206P .....	89
Before Power Is Connected Tag	
F230501 .....	13
Belt	
F0280381-00P .....	67
F280353 .....	65

Belt Inspection Port Cover	
F200188300 .....	63
Bolt	
F0430540-00 .....	35
F0430720-00 .....	67
Box	
F140413 .....	69
F140432 .....	79, 85
Bushing	
F280409P .....	65, 67
Buzzer	
F300206 .....	21

## C

Cable	
F140245 .....	79
Cable Assembly	
F604713 .....	25
Cable Tie	
F140605 .....	15, 17, 19, 65, 67
F140606 .....	15, 17, 19
Cable Tray Assembly	
F635615-2 .....	15, 17, 19
Cable Tray Cover	
F635476 .....	15, 17, 19
Cage Wrap Weldment	
F635610 .....	63
Canister Cover O-Ring	
F170218 .....	83
Canister Stand Weldment	
F632693-2 .....	83
Cap Plug	
F180486 .....	25
F180511 .....	63
Chemical Supply Cup	
F150385 .....	37
F150386 .....	37
Chemical Supply Hose	
F150469 .....	37
Circuit Breaker	
F350207P .....	79, 85
F350210 .....	25
F350218 .....	25
F8303001P .....	21, 23
Clockwise Spin Rotation Decal	
F230652 .....	13, 59
Cold Water Valve Decal	
F231368 .....	13
Computer	
F037047530P .....	19
Computer Cover	
F606826 .....	15
Conductor Decal	
F231146 .....	13
Connector	
F140575P .....	25
F140576P .....	25
F422500 .....	27
J1408004 .....	65, 67

N/A items do not appear in index.

Contact Block Switch	
F200233401 .....	15, 17, 19
F200299500 .....	15, 17, 19
F340445 .....	15, 17, 19
Contactactor	
F330177P .....	79, 85
F330188P .....	69
Containment Device	
F0380809-00 .....	43, 49, 51
Control Cover	
F0636887-00 .....	19
Control Module Cover	
F634558 .....	17, 19
F635456 .....	15
Control Module Decal	
F0231565-00 .....	19
F231417 .....	17
F231562 .....	15
Control Module Sub-Assembly	
F635664 .....	83
Control Panel Sub-Assembly	
F634278 .....	79, 85
Control Transformer Cover	
F140425 .....	71
Cotter Pin	
F430401 .....	67
Cover Assembly	
F630300 .....	83

## D

Diaphragm and Guide Kit	
G582P3 .....	27
Disconnect Power Warning Label	
505281 .....	13, 15, 17, 19
Dispenser Assembly	
F0150512-00P .....	37
Dispenser Lid	
F0150514-00 .....	37
Do Not Climb Caution Decal	
F231418 .....	73, 75
Do Not Obstruct Decal	
F231419 .....	73, 75
Do Not Push Decal	
F230302 .....	13, 63
Door Box	
F606630 .....	61
Door Box Assembly	
F603666P .....	61
Door Box Mounting Plate Assembly	
F605525 .....	61
Door Bumper Bushing	
F430416 .....	59
Door Bumper Moulding	
F150366 .....	59
Door Butt Shim	
F0610695-00 .....	59
Door Gasket	
F017014501 .....	59
F170145 .....	59
Door Glass Gasket	
F170117 .....	59

Door Glass Kit	
F290200P .....	59
Door Glass Retainer	
F601239 .....	59
Door Handle Casting	
F150203 .....	61
Door Hinge Pin	
F601815 .....	59
Door Hinge Strap Kit	
F200030600P .....	59
Door Kit	
F730307 .....	59
F730539 .....	59
Door Latch Bracket Shim	
F602058 .....	61
Door Lock Solenoid	
F300129P .....	61
Drain Canister Weldment	
F632355 .....	83
Drain Hose	
F150438 .....	53
F150442 .....	53, 77, 83
F200165100 .....	53
Drain Valve Bracket	
F634172 .....	73, 75
Drain Valve Cover	
F200133600 .....	53
Drain Valve Kit	
F200166402 .....	53
Drain Valve Motor	
F380933P .....	53
Draw Latch	
F432201 .....	83
Drip Rail	
F150364 .....	57
Drive Kit, 1305 to PowerFlex 40	
F8171611 .....	33
F8171616 .....	33
F8171620 .....	33
F8171717 .....	33
F8171718 .....	33
F8171720 .....	33
Drive Kit, 160 to PowerFlex 40	
F8171612 .....	33
F8171613 .....	33
F8171614 .....	33
F8171615 .....	33
F8171712 .....	33
F8171713 .....	33
F8171714 .....	33
F8255202 .....	33
F8255302 .....	33

## E

Elbow	
F0422918-00 .....	43
F420509 .....	45, 47, 49, 51
F422314 .....	81
F422319 .....	59
F422900 .....	77
70079601 .....	71

N/A items do not appear in index.



Electrical Access Panel	
F0637549-00.....	15, 17, 19
F635448.....	15
Emergency Stop Button Kit	
F200233700P.....	15, 17, 19
Emergency Stop Pushbutton	
F200233500.....	15, 17, 19
EMI Filter	
F330280P.....	25
F330284.....	25
Extension Arm Kit	
F746803.....	61
Extension Arm Tab	
F601639.....	61
External Supply Box	
F635468.....	15, 17, 19
External Supply Box Cover	
F635365.....	15, 17, 19
External Supply Caution Decal	
F231345-4.....	13
Extra Inlet Assembly	
F200096900.....	81
Extrusion Insert	
F150397.....	63

## F

Face Seal	
F8162101.....	57
F8162201.....	57
Fill Plumbing Assembly	
F0637637-01.....	49, 51
F633146-1.....	45, 47
F633146-5.....	45, 47
F633419-1.....	45, 47
F633419-5.....	45, 47
Filter	
F200318900P.....	21, 23
Filter Basket Weldment	
F630298.....	83
Filter Retainer Guard	
F220900.....	21, 23
Flange Mount Relay	
F0330289-00.....	79
Flange Relay	
F330230.....	21, 23
Frame Assembly	
F633378.....	55
F633378-2.....	55
Front Bearing Kit	
F798824-00.....	65, 67
Front Panel	
F635649P.....	63
Fuse	
F350108.....	21, 23
F350109.....	21, 23
F350110.....	21, 23
F350115.....	25
F350142.....	23, 25
Fuse Decal	
F0231629-00.....	25

Fuse Holder	
F0350312-10.....	25
F0350313-00P.....	25

## G

Gasket	
F170158P.....	37
Gate Valve	
F380500.....	45, 47, 49, 51, 83
Glass	
F290201P.....	59
Grease Fitting	
F190701.....	65, 67
Grease Gun	
F210207P.....	89
Grease Gun Kit	
F798700.....	89
Grease Instruction Decal	
F231563.....	65, 67
Ground Decal	
F230630.....	25
F230739.....	79, 85
Ground Terminal Lug	
F140734.....	25

## H

Handle Spacer	
F609822.....	61
Handle Weldment	
F609427.....	61
Heating Element	
F360203P.....	69
Hex Bit	
F704906.....	87
HIM Drive	
F370851P.....	89
F798751.....	89
Hose	
F200104P.....	45, 47, 49, 51, 81
Hose Adapter	
F421908.....	41, 43
F421909.....	45, 47, 49, 51
Hose Barb	
F421929.....	53, 77
F421951.....	45, 47, 49, 51, 81
F421964.....	45, 47, 49, 51
Hose Clamp	
F200201.....	53, 77
F200206.....	45, 47, 49, 51
F200213.....	37, 53, 73, 75
F200215.....	27, 73, 75, 83
F200222.....	45, 47, 49, 51, 81
36801.....	39, 53, 57
Hose Connector	
F200302.....	39
Hose Strap	
F605324.....	63
Hot Surface Warning Decal	
F200085000.....	13
F231380.....	13

N/A items do not appear in index.

Hot Water Valve Decal F231367 .....	13
--	----

## I

Injection Nozzle F8322001 .....	37
Injection Nozzle Kit F730168 .....	37
Inlet Compression Weldment F200096800 .....	81
Input Block Decal F0231636-00 .....	25
Input Power Block F140747 .....	69
F140794-1 .....	25
Insulator Bushing F140909 .....	25
Interface CCA F0370446-12P .....	21
Interlock Switch F340900 .....	35, 61
Interlock Switch Spacer F601055 .....	61
Inverter Drive F370843 .....	23
F370844 .....	23

## J

Jumper Kit F784003P .....	21
------------------------------	----

## K

Key F430801 .....	67
F430802 .....	65, 67
F430803 .....	65
Keymode Assembly F200174600P .....	25
Keymode Run/Program Switch F340800P .....	25
Keypad F023158231P .....	19
F370576P .....	17
Keypad Decal F230724P .....	15

## L

Lower Door Latch Bracket Casting F150202 .....	61
Lower Door Latch Casting F150204 .....	61

## M

Magnet F8390801 .....	61
Magnetic Switch Assembly F200321200 .....	61
Main Drive Kit F380918 .....	53
Microcomputer F0370313-09P .....	17
Microswitch F340906 .....	61
Mitsubishi to PowerFlex 40 Drive Kit F8171617 .....	33
F8171618 .....	33
F8171619 .....	33
F8171715 .....	33
F8171716 .....	33
F8171719 .....	33
Momentary Switch F200120100 .....	15, 17, 19
F340412 .....	15, 17
Motor F220236P .....	65
Motor Adjustment Strap F602166 .....	67
Motor Conversion Kit F8329201P .....	67
Motor Drip Shield F200216900 .....	67
Motor Pulley F0280384-00 .....	67
Motor Pulley Bushing F280209 .....	67
F280211P .....	65
Motor Support Bushing F200186100 .....	67
Motor Support Rod Kit F730076 .....	67
Mounting Bolt Kit F730055-1 .....	89
Muffin Fan F110105 .....	21, 23

## N

Nipple F0421970-00 .....	81
F420101 .....	41, 43, 45, 47, 49, 51
F420103 .....	41, 43, 47, 49
F420105 .....	41, 43, 45, 47, 49, 51
F420107 .....	45, 47, 49, 51
F420708 .....	71
F420710 .....	71
F421915 .....	83
F421949 .....	41, 43
No-Swivel Coupling F422109 .....	59
Nut F0431807-00 .....	63
F430211 .....	63
F430215 .....	57, 61, 63, 69, 71
F430218 .....	35

N/A items do not appear in index.

F430231	15, 17, 19, 21, 23, 61, 69, 79
F430232	83
F430233	67, 73, 75, 79
F430239	73, 75
F430264	63
F430265	25
F431000	15, 25
F431002	61
F431005	37
F431006	25
F431013	25
F431022	25, 59, 79
F431024	83
F431026	15, 17, 19, 59, 61, 73, 75
F431806	23
H88412101	35
20274	35, 57, 59, 65
44087301	35
70142	55
802292	37

## O

O-Ring	
F0170221-00	43, 49, 51
F170200	59
F170208	37
F170215	37
Output Board CCA	
F370447-6P	23
Output Board Cover	
F0170427-00	23
Output CCA	
F037044860-2	23
F8321901P	21
Overflow Hose	
F150308	77
Overflow Plug	
F150352	83

## P

Personal Injury Warning Decal	
F231065	13, 25
Pin	
F430415	63
Pipe	
F0602364-04	77
F0602364-25	53
F0602365-01	53
F0602365-22	53
Pipe Insulation	
F410300	71
Plug	
F0200237-00	57
F200202600	71
F420408	45
F420409	71
Plug Cap	
F190304	37
Plug Removal Warning Decal	
F0230112-00	13, 57

Pop Rivet	
F431210	53, 57, 61
Program Key	
F370709	25
Pulley	
F280146P	65
F280182P	65
F280410	65
Pump	
F270102P	77, 83
Pump B Harness Assembly	
F141876	79
Pump Sub-Assembly	
F634674	73, 75
Push Decal	
F230303	61
Push Handle Kit	
F746201-1	61

## R

RC Network Filter	
F330217P	17, 19, 61
Rear Bearing Kit	
F745010	65, 67
Rear Panel	
F200187900P	63
Rebar Frame Kit	
F798770	89
Rebar Frame Template	
F602941	89
Reducer Bushing	
F422602	53
Relay CCA	
F370438P	79
Repair Kit	
F380965P	47
Resistor	
F370116	23, 25
Reuse Control Enclosure Mounting Bracket	
F634191	73, 75, 79
Reuse Drain Elbow	
F422914	73, 75
Reuse Drain Hose	
F0150486-01	75
Reuse Drain Reducer	
F422520	73, 75
Reuse Drain Valve	
F380635P	73, 75
Reuse Frame Assembly	
F634413	73, 75
Reuse Hose Adapter Weldment	
F0637736-00	75
Reuse Inlet Hose	
F0200505-02	75
F200505	73, 75
Reuse Overflow Hose	
F150484	73, 75
Reuse Pump Manifold	
F250707	77

N/A items do not appear in index.

Reuse Pump Motor Cable Assembly	
F140254 .....	79
F140255 .....	79
Reuse Pump Platform Assembly	
F634267 .....	77
Reuse Tank	
F191008 .....	73, 75
Ribbon Cable	
F140218P .....	15, 21
F140219P .....	15, 17, 19, 21
F140248P .....	15, 21
Ring Retainer	
F310206 .....	59
Rotation Sensor Assembly	
F200126200P .....	35
Rotation Sensor Bracket	
F200122502 .....	35
Rotation Sensor Harness	
F8066401 .....	35
Rotation Sensor PCB	
F200101300P .....	35
Rotation Sensor Retrofit Kit	
F079900800 .....	35
Rub Rail	
F150408 .....	63

## S

Screw	
F0430165-00 .....	21, 23
F0430272-00 .....	87
F0430273-00 .....	87
F0430274-00 .....	87
F0430275-00 .....	87
F430103 .....	59
F430104 .....	71
F430107 .....	69
F430168 .....	61
F430500 .....	57
F430502 .....	59
F430903 .....	25, 83
F430909 .....	25, 61
F430910 .....	21, 23, 79
F430916 .....	61, 79
F430917 .....	15, 17, 19, 37, 59, 61
F430921 .....	63
F430923 .....	83
F430924 .....	57
F430927 .....	35, 61
F430928 .....	15, 17, 19, 79, 85
F430932 .....	83
F430935 .....	57, 71
F430938 .....	25, 43, 49, 51, 69
F430939 .....	83
F430956 .....	61, 63
F430960 .....	87
F430993 .....	65
F430995 .....	25, 61
F430996 .....	61, 73, 75
F431702 .....	23
F432234 .....	63
F432259 .....	87
F432260 .....	87
F8111101 .....	35

F8122701 .....	35
F8136401 .....	15, 17, 19
M400056 .....	73, 75, 79
70240301 .....	15, 17, 19, 63
800461 .....	35, 57
Scupper	
F150389 .....	53, 57
Seal	
F170151 .....	15
Seal Kit	
F798819-00 .....	57
Shaft Seal Alignment Fixture	
F0100312-00 .....	89
Shell Assembly	
F634438 .....	57
Shell Band Assembly	
F603344P .....	55
Shell Band Fastener Kit	
F791001 .....	57
Shell Band Gasket	
F170120RP .....	55
Shell Front Assembly	
F200119900P .....	55
Shell Front Weldment	
F8135801P .....	55
Shell Gasket Shield	
F601216 .....	57
Shell Mounting Bracket	
F601806 .....	57
Shell Reinforcement Plate Assembly	
F8084201 .....	53, 57
Shell Weldment	
F0633208-01 .....	57
F0633208-05 .....	57
F0634436-01 .....	57
F634436 .....	57
Side Panel	
F635648P .....	63
Side Panel Bracket	
F601982 .....	63
Side Panel Cover	
F606667 .....	63
Slinger	
F100203 .....	57
Snap Bushing	
F140938 .....	27
Soap Dispenser Hose	
F150309 .....	53
Soap Dispenser Shroud Weldment	
F8024301 .....	37
Solenoid	
F300126P .....	41, 43, 45, 47, 49, 51, 71
Solenoid Spacer	
F609728 .....	61
Spanner Bit	
F704907 .....	87
Sponge	
F170110 .....	63
Spray Plumbing Assembly	
F0637633-01 .....	43
F0637633-03 .....	43
F633150-1 .....	41
F633150-5 .....	41

N/A items do not appear in index.

Spray Rinse Bracket Assembly F602901P .....	55, 59	F420402 .....	45, 47, 49, 51
Spray Rinse Hose Assembly F730026 .....	59	F422801 .....	53
Spray Rinse Nozzle Kit F730077 .....	59	F422803 .....	53
Spray Rinse Strap F602880 .....	59	Temperature Probe F370606P .....	35, 69
Spray Rinse Tube Assembly F603696-9 .....	59	Terminal Block F140782 .....	25
Spring F310127 .....	67	M413865 .....	69
Standoff F180501 .....	35	This Machine Must Be Protected Decal F230301 .....	13
F180506 .....	21, 23	Tie Wrap Mounting Clamp F140602 .....	15, 17, 19
Steam Bracket Weldment F635634 .....	71	Top Cover Caution Decal F231420 .....	73, 75
Steam Filter F270307 .....	71	Top Latch Bracket Casting F150201P .....	61
Steam Hose F200517 .....	71	Torx Bit 281P4 .....	87
Steam Injector Tube Assembly F603131 .....	71	Transformer F200031000 .....	71
Steam Plumbing Assembly F635653P .....	71	F360156P .....	71
Steam Valve F380787P .....	71	Trim F170400RP .....	37, 63
Strain Relief Adapter Kit F749802 .....	37	F170404 .....	15, 17, 19
Strain Relief Connector F140328 .....	79	Trim Seal F100284 .....	63
F140329 .....	83	Tube Connector F422106 .....	41, 43
F140330 .....	79	F422515 .....	77, 83
F140331 .....	79	Tubing C000628P .....	65, 67
F140340P .....	37	F422404P .....	27
Street Elbow F420500 .....	41, 43, 45, 47, 49, 51	<hr/>	
F420502 .....	41, 45, 47, 49, 51	<b>U</b>	
F421703 .....	71	U-Bolt Clamp F200401P .....	41, 43, 45, 47, 49, 51, 71, 81
F422304 .....	83	<hr/>	
H86070034 .....	71	<b>V</b>	
Supply Dispenser Hazard Caution Decal F231436 .....	13, 37	Vacuum Breaker F380117 .....	53, 73, 75
Supply Dispenser Spacer F0150525-00 .....	37	Vacuum Breaker Cap F0380808-00 .....	43, 49, 51
Switch F340921 .....	35	Vacuum Breaker Kit F0798922-00 .....	43, 49, 51
Switch Extension F340924 .....	35	Vacuum Breaker Valve F063754701P .....	43, 49, 51
Switch Mode Decal F0231632-00 .....	25	F380800P .....	41, 45, 47
F231564 .....	25	Valve F381701P .....	45, 47, 49, 51, 81
Swivel Coupling F422108 .....	59	F381703P .....	41, 43, 47, 49
<hr/>		Valve Head Tool 371P4 .....	47, 49, 51
<b>T</b>		372P4 .....	47, 49
Tank Drain Sub-Assembly F0637929-01 .....	73	Valve Repair Kit F380993P .....	47, 49
Tee F420400 .....	43	Valve, 4-Way F381723P .....	27
F420401 .....	41	<hr/>	

N/A items do not appear in index.

---

## W

### Washer

F430300.....	65
F430311.....	69
F430317.....	57, 63
F430325.....	67
F430332.....	65, 67
F431100.....	37, 59, 61, 63, 73, 75
F431106.....	25
F431108.....	15, 17, 19, 25, 61
F431112.....	57
F431113.....	15, 17, 19, 79
F431116.....	57
F431118.....	61
F431123.....	15, 17, 19
F431125.....	15, 17
F431142.....	61
F431147.....	37
F8195301.....	37
M400013.....	55
M400014.....	35, 57, 65
M400080.....	67
M400081.....	35, 57, 65
20290.....	41, 43, 45, 47, 49, 51
803615.....	41, 43, 45, 47, 49, 51

### Water Hose

F200107P.....	53, 57
F200110P.....	39
F200164.....	41, 43, 45, 47, 49, 51
F200166.....	41, 43, 45, 47, 49, 51
F200509.....	45, 47, 49, 51

### Water Level Switch

F0340347-10P.....	27
-------------------	----

### Water Reuse Hose

F0637735-01.....	75
------------------	----

### Water Reuse Tee Weldment

F0634404-01.....	75
------------------	----

### Water Valve Repair Kit

F380991P.....	47, 49, 51
---------------	------------

### Wet-Clean Inlet Grommet

F200098900.....	81
-----------------	----

### WE-6 Computer

F037062441P.....	15
------------------	----

### Wire, 14 Gauge

45257.....	79
------------	----

---

## Y

### Y Connector

F422816.....	39
--------------	----

---